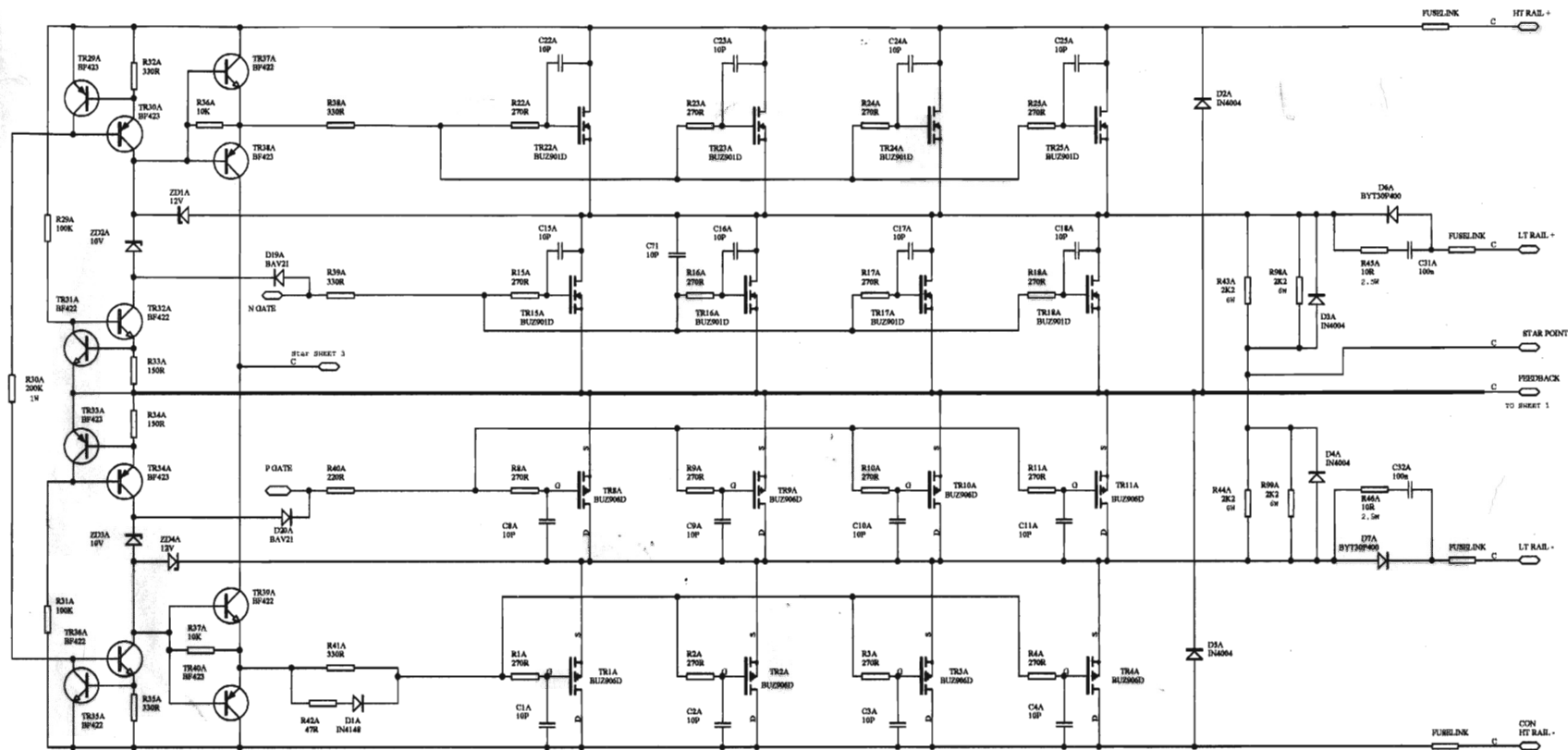


SHEET 1

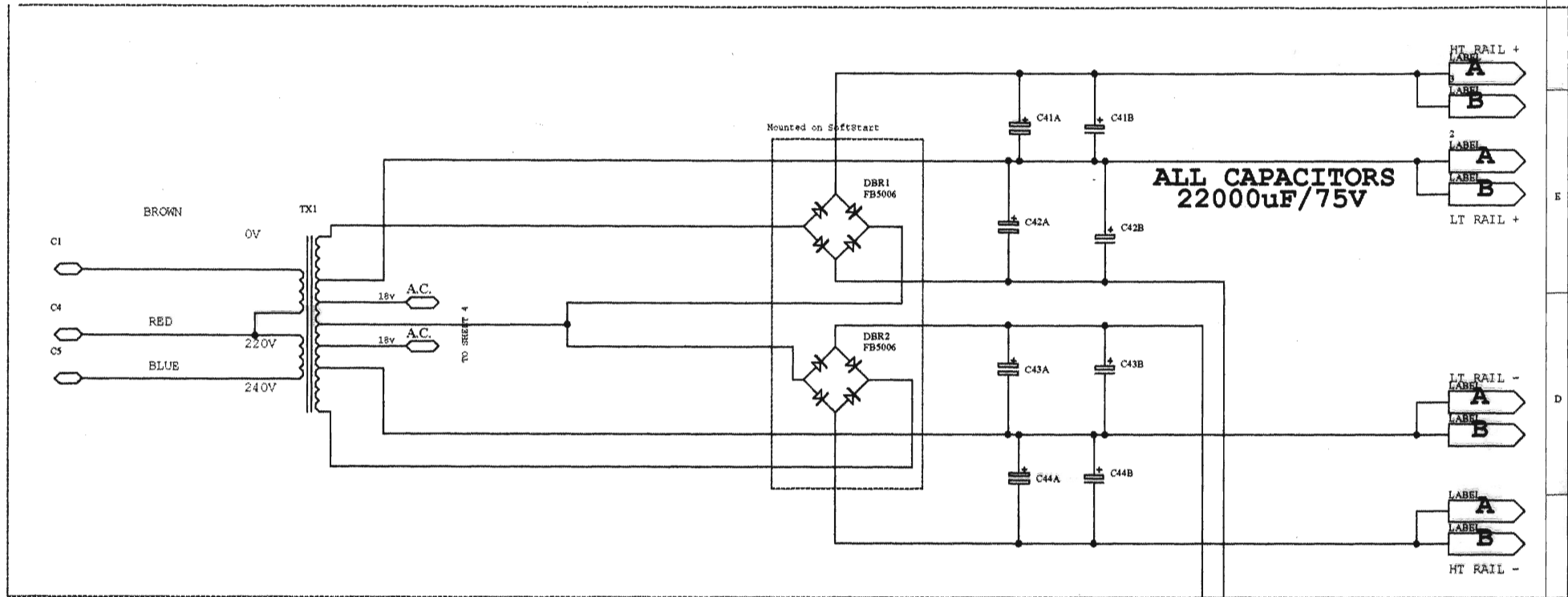
SRX3801 DRIVER			
Rev	Number	C1067	
AS		1	
File	SRX3801	Sheet 1	of 1
Date	08/27/88	Drawn By	A.S.



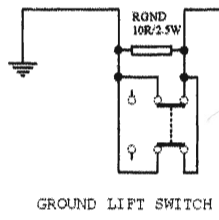
SHEET 2

DRAWING SYMBOLS CHANNEL A OUTPUT STAGE
 CHANNEL B HOW SAME COMPONENT NUMBERS
 BUT WITH THE SUFFIX 2

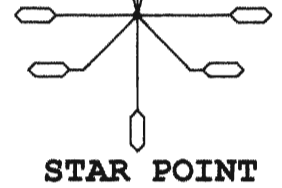
SRX3801 OUTPUT STAGE		
Size	Number	Revision
A2	C1067	
DATE	DESIGNED BY	DRW. BY
1/66	D. PROFFER	D. PROFFER



POWER SUPPLY

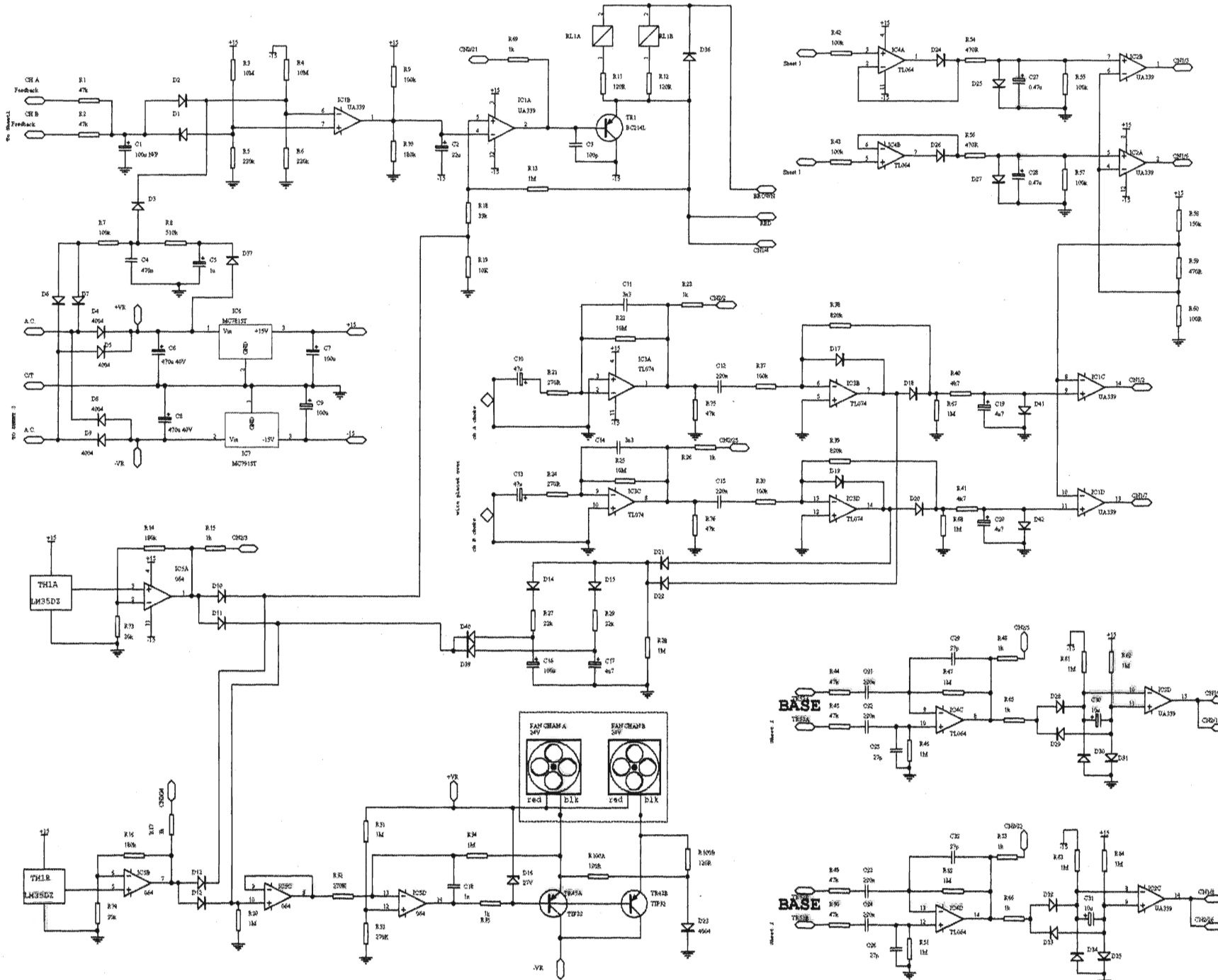


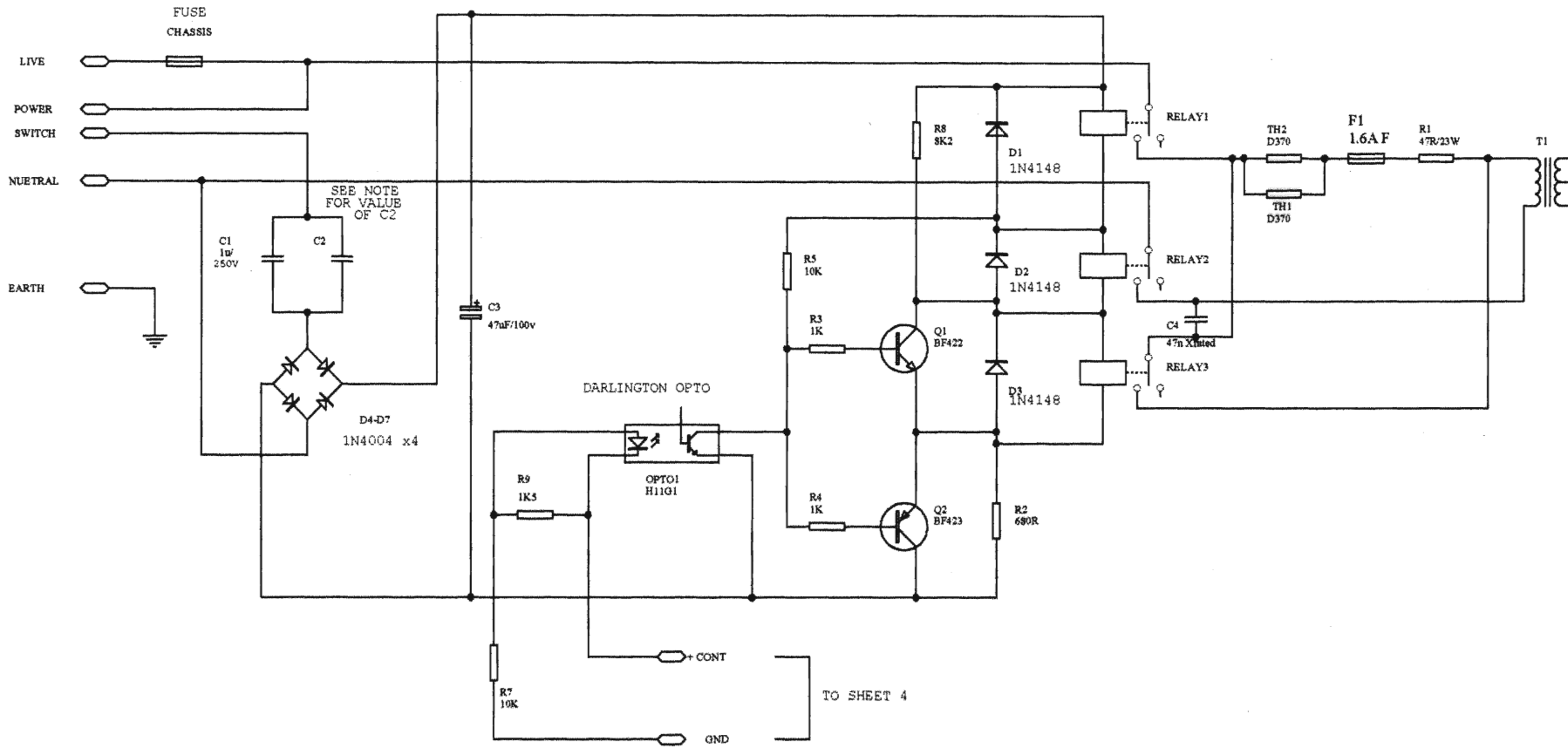
GROUND LIFT SWITCH



STAR POINT

Title: SRX3801 PSU		
Size A3	Number	Revision 1
Date Jul-1999	Sheet of 3	6
File: D:\PROJETS\SRV\SRX3801\SRX3801.DWG Drawn By: A.C.		



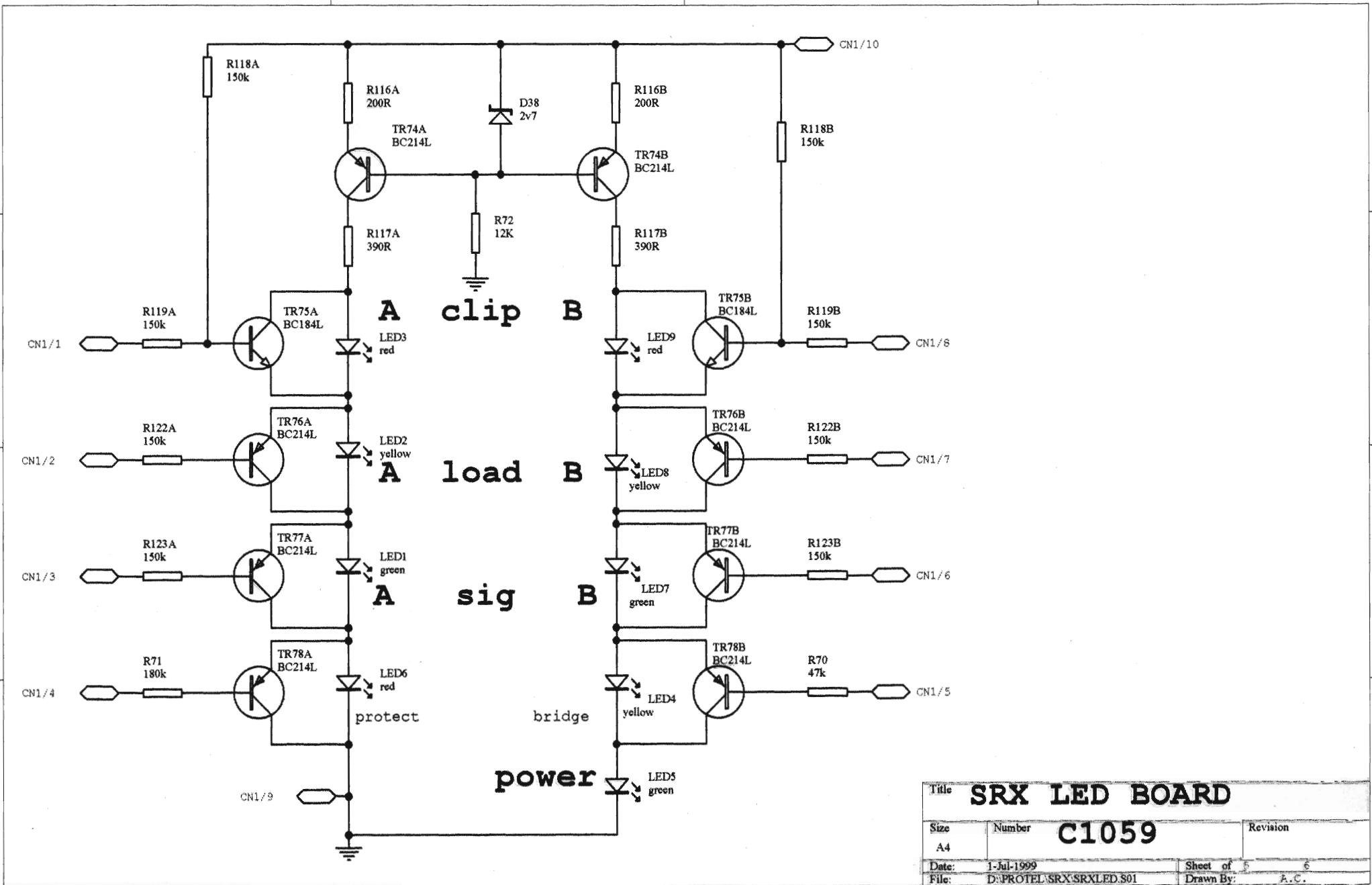


SHEET 6

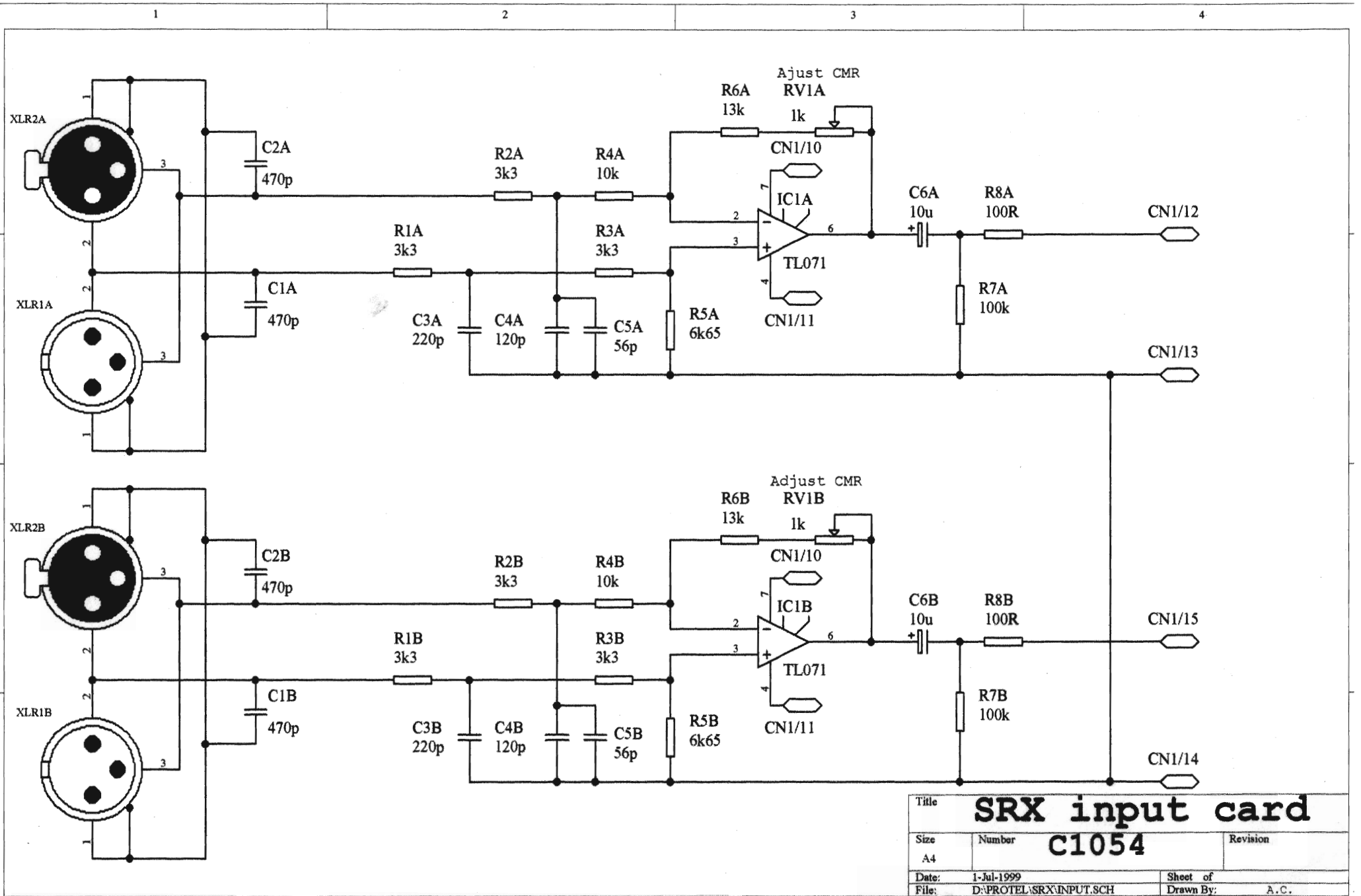
NOTE 1:
C2 IS ONLY FITTED WHEN UNIT IS USED ON 100/120V SUPPLY,
ITS VALUE BEING
THE SAME AS C1 1u/250V

NOTE 2:
SOFT START FUSE - 1.6A FAST BLOW
WITH AN I²t RATING OF 5.2
RS PART# 416-326

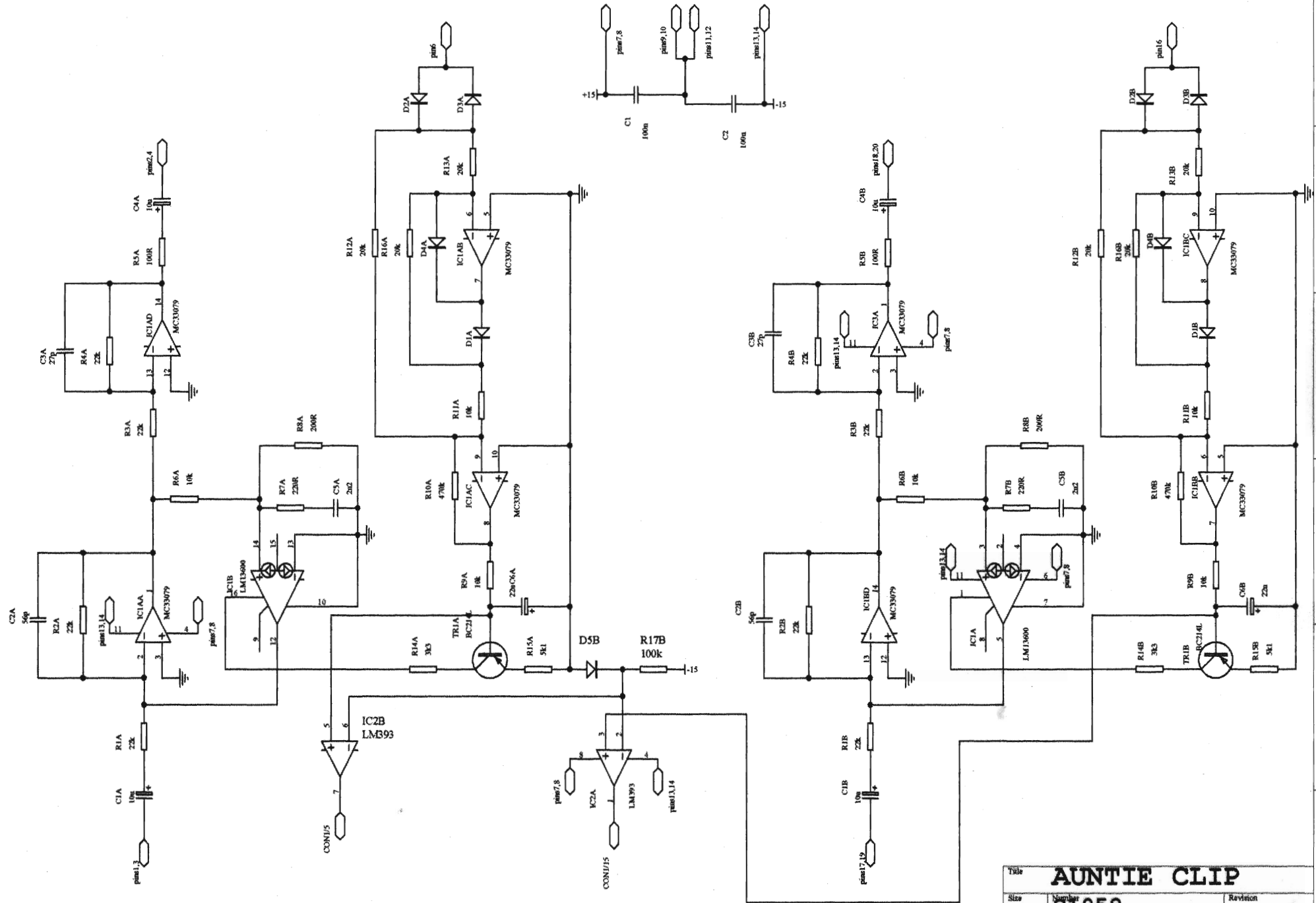
Title		XR3801 SOFT START	
G-AUDIO			
Size	Number	Revision	
A3	CA1060	1	
Date:	1-JUL-1999	Sheet of	8
Drawn By:	P:SPR/FR:140Y:GR V.S.R. SM	Drawn By:	A.C.



Title SRX LED BOARD		
Size A4	Number C1059	Revision
Date: 1-Jul-1999	Sheet of 5	6
File: D:\PROTEL\SRX\SRXLED.S01	Drawn By: A.C.	



Title			SRX input card		
Size	Number	Revision		C1054	
A4					
Date:	1-Jul-1999	Sheet of			
File:	D:\PROTEL\SRX\INPUT.SCH	Drawn By:		A.C.	



Title	AUNTIE CLIP	
Size	A3	Revision
Number	CI058	
Date:	1-Jul-1999	Street of
File:	D:\390791\390791.DP.01	Drawn By