



CHAMPION 110 PARTS LIST

MARCH 1993

120V 0226703000
230V 0226763000
100V 0226773000

NOTICE:

The information contained herein is CONFIDENTIAL and PROPRIETARY to Fender Musical Instruments. It is disclosed solely for use by qualified technicians for purposes of equipment maintenance and service. It is not to be disclosed to others without the express permission of Fender Musical Instruments. All specifications subject to change without notice.

A coded naming convention is used in the description of certain parts. The codes and what they mean follow:

CAPACITOR CODES

CAP AE = Aluminum Electrolytic
CAP CA = Ceramic Axial
CAP CD = Ceramic Disk
CAP MPF = Metalized Polyester Film
CAP MY = Mylar
CAP PF = Polyester Film

RESISTOR CODES

RES CC = Carbon Comp
RES CF = Carbon Film
RES FP = Flame Proof
RES MF = Metal Film
RES WW = Wire Wound

HARDWARE CODES

BLX = Black Oxide
CR = Chrome Plated
HWH = Hex Washer Head
M = Machine Screw
NI = Nickel Plated
OHP = Oval Head Phillips
PB = Particle Board
PHP = Pan Head Phillips
PHPS = Pan Head Phillips Sems
SMA = Sheet Metal "A" point
SMB = Sheet Metal "B" point
SS = Stainless Steel
TF = Thread Forming
ZI = Zinc Plating



CHAMPION 110

PARTS LIST

PRINTED CIRCUIT BOARD ASSEMBLY

QTY	PART #	DESCRIPTION	REFERENCE	DESIGNATION
1	040498	PCB ASSY "CHAMPION 110"	(STUFFED)	
2	038689	CAP AE AX .47 μ F 100V 20%	C12,13	
4	026517	CAP AE AX 2.2 μ F 50V 20%	C4,33,35,38	
3	038691	CAP AE AX 4.7 μ F 50V 20%	C34,47,48	
1	038693	CAP AE AX 47 μ F 16V 20%	C37	
3	025960	CAP AE AX 22 μ F 16V 20%	C6,7,29	
2	028471	CAP AE RDL 47 μ F 50V 20%	C45,46	
2	033607	CAP AE RDL 2200 μ F 35V 20%	C43,44	
2	039255	CAP CA 10pF 100V 5%	C3,14	
1	038873	CAP CA 22pF 100V 5%	C24	
1	038698	CAP CA 47pF 100V 5%	C27	
2	038699	CAP CA 100pF 100V 5%	C22,36	
1	038701	CAP CA 470pF 50V 5%	C11	
1	038874	CAP CA 560pF 50V 5%	C15	
2	039268	CAP CA 4700pF 50V 5%	C1,2	
3	027278	CAP MPF RDL .1 μ F 63V 10%	C39,40,41	
1	033596	CAP MPF RDL .068 μ F 100V 10%	C26	
2	027286	CAP MPF RDL .47 μ F 63V 10%	C30,42	
2	033580	CAP PFF RDL .0022 μ F 100V 10%	C5,25	
1	033581	CAP PFF RDL .0033 μ F 100V 10%	C19	
1	033583	CAP PFF RDL .0047 μ F 100V 10%	C20	
1	036234	CAP PFF RDL .015 μ F 100V 10%	C28	
1	033590	CAP PFF RDL .022 μ F 100V 10%	C17	
4	033591	CAP PFF RDL .033 μ F 100V 10%	C9,10,23,31	
5	033592	CAP PFF RDL .047 μ F 100V 10%	C8,16,18,21,32	
2	034719	CONTROL SNAP IN 50KB	R30,42	
1	037323	CONTROL SNAP IN 50K 15A	R13	
3	037324	CONTROL SNAP IN 100K 30C	R20,24,29	
1	040552	CONTROL SNAP IN 250K 30C	R31	
1	028104	BUTTON PUSH SWITCH BLACK	(@ S1)	
11	006260	DIODE 1N4448 75PRV	CR1-11	
6	064089	DIODE 1N4003 200PRV	CR12-17	
2	009165	DIODE ZENER 1N4744 15V 1W 5%	CR18,19	
10	025802	FASTON TAB MALE .250x.032 PCB MT	CP1,2,3,5,6,8-12	
2	026000	FASTON TAB MALE .187x .032	CP4,CP7	
2	025996	FUSE CLIP PCB .250" & 5mm FUSE	(@ XF1)	
1	034889	FUSE QA 1-1/4"x1/4" 250V 1AMP	F1	
1	020786	FUSE QA 20mmX5mm 250V .5AMP	F1	
2	027408	HEADER .1 CTR 2 CKT SQ PIN	P5,6	
4	016795	IC DUAL OP AMP TLO72C	U1,2,3,4	
1	031611	IC DUAL OP AMP PC4560	U5	
1	029912	IC PC1188H 20W (POWER AMP)	U6	
1	031570	JACK PHONE PCB STEREO PREMIUM	J4	
3	037036	JACK PHONE PCB MONO PREMIUM	J1,2,3	
13	020888	JUMPER WIRE 22GA .5x.175	W1-13	



CHAMPION 110

PARTS LIST

PRINTED CIRCUIT BOARD ASSEMBLY CONTINUED

QTY	PART #	DESCRIPTION	REFERENCE	DESIGNATION
2	026043	JUMPER WIRE 18GA .8x.175	JP1,2	
2	028039	LED 5x5mm RED SLB-55VR3	LD1,2	
2	9902202281	LED RED LONG LEAD LUMEX CS02	LD3,4	
1	040497	PCB FAB CHAMPION 110		
1	024942	RES CF 1/4W 22Ω 5%	R45	
1	029604	RES CF 1/4W 300Ω 5%	R48	
2	024961	RES CF 1/4W 470Ω 5%	R71,72	
1	024965	RES CF 1/4W 1K 5%	R7	
1	024969	RES CF 1/4W 1.5K 5%	R73	
1	024971	RES CF 1/4W 2.2K 5%	R12	
1	024972	RES CF 1/4W 2.7K 5%	R47	
3	024973	RES CF 1/4W 3.3K 5%	R19,21,40	
2	024975	RES CF 1/4W 3.9K 5%	R57,63	
1	028034	RES CF 1/4W 5.1K 5%	R5	
1	024979	RES CF 1/4W 6.8K 5%	R3	
1	025942	RES CF 1/4W 7.5K 5%	R11	
1	024980	RES CF 1/4W 8.2K 5%	R18	
3	024981	RES CF 1/4W 10K 5%	R39,49,51	
3	024985	RES CF 1/4W 15K 5%	R1,6,35	
5	024987	RES CF 1/4W 22K 5%	R8,16,17,33,44	
3	024988	RES CF 1/4W 27K 5%	R56,59,60	
5	024993	RES CF 1/4W 47K 5%	R27,28,32,34,55	
1	026507	RES CF 1/4W 62K 5%	R64	
2	029613	RES CF 1/4W 91K 5%	R14,15	
1	024997	RES CF 1/4W 100K 5%	R68	
1	025058	RES CF 1/4W 180K 5%	R9,	
7	025059	RES CF 1/4W 220K 5%	R10,23,25,26,36,37,41	
2	025065	RES CF 1/4W 470K 5%	R22,38	
2	028018	RES CF 1/4W 510K 5%	R2,4	
1	025067	RES CF 1/4W 680K 5%	R58	
3	025069	RES CF 1/4W 1M 5%	R50,52,54	
1	025073	RES CF 1/4W 1.5M 5%	R43	
1	030737	RES CF 1/2W 5.6Ω 5%	R61	
1	026512	RES CF 1/2W 3.9K 5%	R53	
1	039128	RES MF 1W 120Ω 5%	R65	
2	027344	RES MF 1W 270Ω 5%	R69,70	
2	028740	RES MF 1W 470Ω 5%	R66,67	
1	028029	RES MF 1W 1.5K 5%	R46	
1	032958	RES WW BT 5W .33Ω 5%	R62	
2	027638	SCREW TF #4-40x3/8" HWH ZI	(U6 MOUNTING)	
2	032908	SCREW TF #6-32x3/8" PHP ZI	(PCB TO HEATSINK MNT)	
2	9904701440	SPACER LED .7x.125 BLUE	(@ LD1,2)	
1	028091	SWITCH PUSH SLFLK DPDT PC MT	S1 (WITHOUT BUTTON)	
2	014689	XSTR N-CH JFET J111 TO-92	Q1,2	



CHAMPION 110

PARTS LIST

CHASSIS ASSEMBLY

QTY	PART #	DESCRIPTION	REFERENCE	DESIGNATION
1	040506	CHASSIS ASSY CHAMPION 110 120V		
1	021709	BUSHING SR .437x.062x13/32 BLK	(@ SPEAKER CABLE)	
1	026038	BUSHING SR .625x.062x37/64 BLK 100/120V	(@ POWER CABLE)	
1	010401	BUSHING SR .625x.125x37/64 WHT 230V	(@ POWER CABLE)	
7	033206	BUSHING KNOB SPACER		
1	026527	CABLE ASSY POWER W/.187 TABS	(100/120V ONLY)	
1	026528	CABLE ASSY POWER 230V W/.187 TABS	(PWR CABLE 230V EXPORT)	
1	036479	CABLE ASSY POWER AUST.W/.187 TABS	(240V AUSTRALIA ONLY)	
1	040505	CHASSIS CHAMPION 110	(RAW CHASSIS)	
1	026016	FOAM STRIP 1/8"x1"x7"	(SPRING TO SLEEVE MOUNT)	
1	026017	FOAM STRIP 3/8"x1-1/4"x8"DBL STK	(SLEEVE TO CHASSIS MOUNT)	
1	034885	HEATSINK BAR RAD/HOT/JAM	(HEATSINK COUPLER)	
7	026403	KNOB POINTER BLACK 180 DEG		
4	069393	NUT #6-32 HEX EXT LOCK	(TRANSFORMER MOUNT)	
1	040503	PANEL FRONT "CHAMPION 110" LEXAN		
1	040504	PANEL REAR "CHAMPION 110"		
1	041397	REVERB SPRING PAN 1BB2E4A		
2	028500	SCREW TF #8-32x3/4" HWH SLTD ZI	(HEATSINK TO CHASSIS MOUNT)	
3	028937	SCREW TF #6-32x5/8" PHP ZI ROLOK	(PCB MOUNTING)	
1	038900	SCREW TF #6-32x1/4" PHP ZI	(@ GROUND LUG)	
1	025954	SLEEVE REVERB PAN	(CARDBOARD)	
3	025936	STAND OFF PCB PUSH ON NYL 3/8"L	(PCB MOUNT)	
1	025935	SWITCH POWER DPST	(100/120V ONLY)	
1	039287	SWITCH POWER DPST SEMKO	(230V EXPORT ONLY)	
1	033613	XFMR POWER "CHAMPION 110" 120V		
1	040611	XFMR POWER "CHAMPION 110" 230V		

CABINET ASSEMBLY

QTY	PART #	DESCRIPTION	REFERENCE	DESIGNATION
1	040510	CABINET ASSY CHAMPION 110	(COMPLETE CABINET)	
4	037344	CLIP SPEAKER	(SPEAKER MOUNT)	
4	026566	CORNER 2 HOLE W/TAB NI	(BOTTOM FRONT, TOP REAR)	
2	026568	CORNER 3 HOLE NI	(BOTTOM REAR)	
4	029323	FOOT RUBBER		
1	040511	GRILLE BAF ASSY "CHAMPION 110"	(COMPLETE GRILLE)	
1	027846	HANDLE 9.25" NO LOGO	(RUBBER ONLY. NO INSERT)	
1	032524	HANDLE INSERT	(SPRING STEEL)	
2	019279	HANDLE CAP 2-3/16" NI	(HANDLE MOUNT)	
1	011298	NAMEPLATE FENDER SMALL	(LOGO)	
8	021972	NUT T #10-32x3/4" STR 3 PRNG BLX	(HANDLE/SPEAKER MOUNT)	
4	022244	SCREW M #10-32x1-1/8" OHP NI	(HANDLE MOUNT)	



CHAMPION 110 PARTS LIST

CABINET ASSEMBLY CONTINUED

<u>QTY</u>	<u>PART #</u>	<u>DESCRIPTION</u>	<u>REFERENCE</u>	<u>DESIGNATION</u>
2	018113	SCREW SMA #4x1/2"	OHP BLX	(LOGO MOUNT)
4	026577	SCREW M #10-32x1"	PHP BLX	(SPEAKER MOUNT)
2	026800	SCREW SMAB #8x1-3/4"	OHP BLX	(GRILLE MOUNT)
4	036199	SCREW M #8-32x1-3/16"	OHP BLX WX	(CHASSIS MOUNT)
14	026571	SCREW CORNER MOUNTING		
1	036502	SPEAKER 10" 8Ω		
6	029527	WASHER FNSH #8-5/8" FLNGD	BLX WX	(CHASSIS/GRILLE MOUNT)

FOOTSWITCH ASSEMBLY (OPTIONAL)

<u>QTY</u>	<u>PART #</u>	<u>DESCRIPTION</u>	<u>REFERENCE</u>	<u>DESIGNATION</u>
1	028890	FOOTSWITCH ASSY 1 BUTTON F/LOGO		(COMPLETE FOOTSWITCH)
1	006260	DIODE 1N4448 75PRV	CR1	
1	037036	JACK PHONE PCB MONO PREMIUM	J1	
1	028039	LED 5x5mm RED SLB-55VR3	LD1	
1	028714	SWITCH PUSH SPDT	S1	

MISCELLANEOUS

<u>QTY</u>	<u>PART #</u>	<u>DESCRIPTION</u>	<u>REFERENCE</u>	<u>DESIGNATION</u>
1	040512	MANUAL OWNERS "CHAMPION 110"		
1	040502	SCHEMATIC REDUCED "CHAMPION 110" W/SERVICE DIAGRAM		

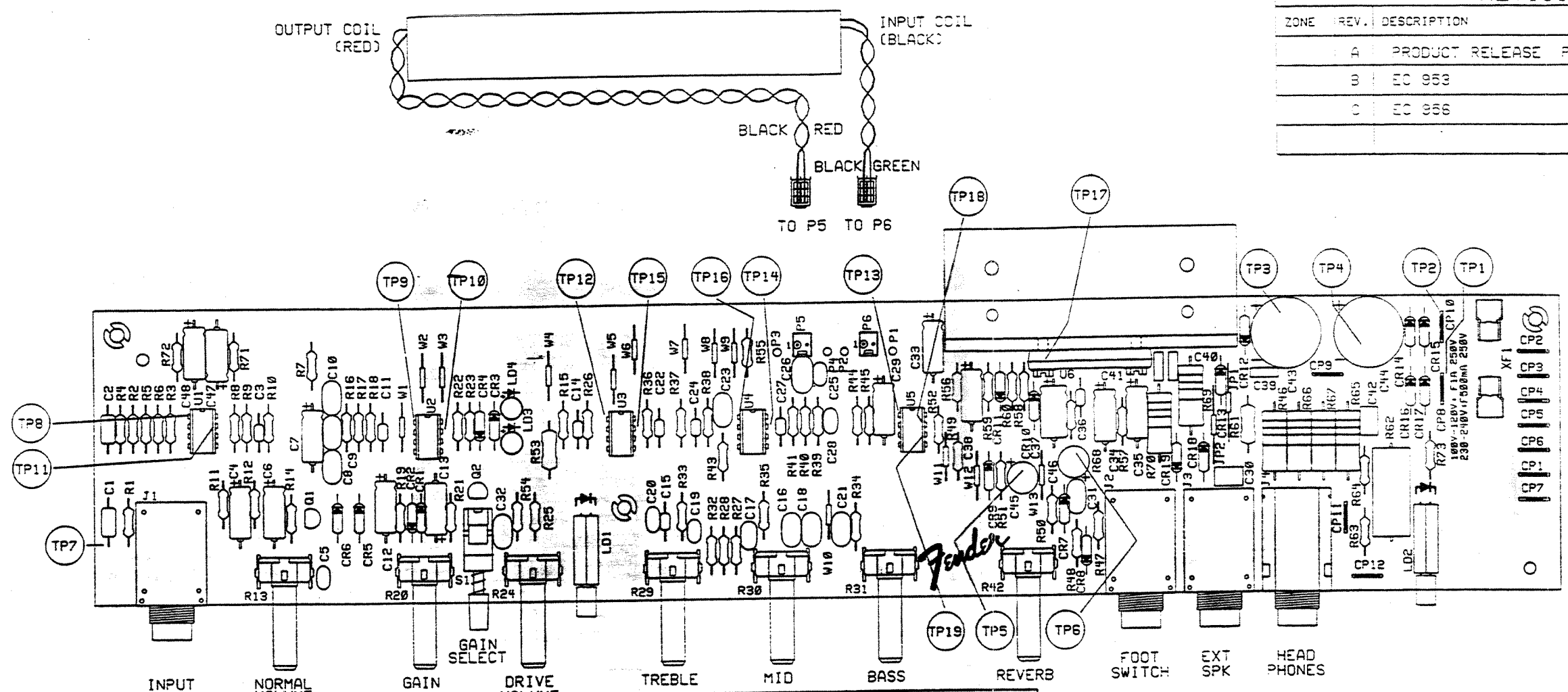
8 7 6 5 4 3 2 1

REVISIONS

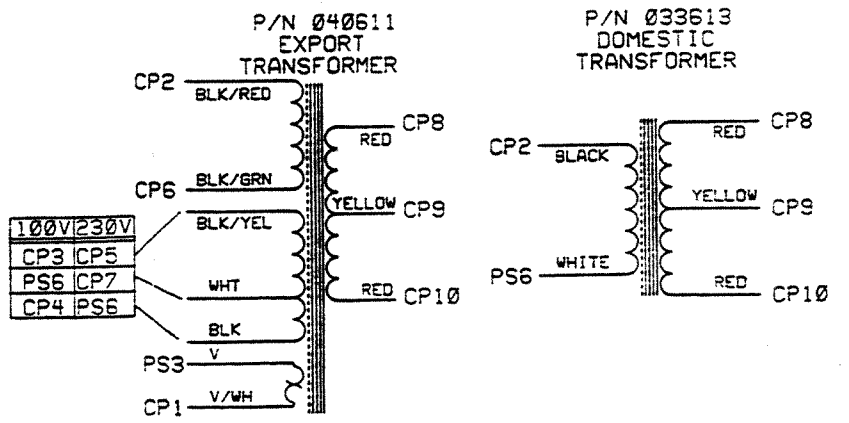
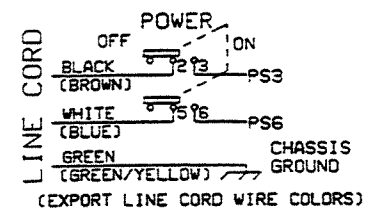
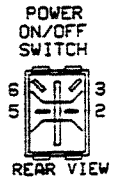
ZONE	REV.	DESCRIPTION	DATE	APPROVED
	A	PRODUCT RELEASE PR# 225	12-18-92	<i>JSS</i>
	B	EC 953	2-25-93	<i>JSS</i>
	C	EC 956	3-01-93	<i>JSS</i>

D
C
B
A

D
C
B
A



FILM/DWG: SERVICE DIAGRAM 11/12/92 PKG
 DATABASE: CHAMP.DBF DATE: 03-MAR-93
 LAYERS PLOTTED: 1 2 3 4 10 11 18



DOMESTIC UNITS:
A WHITE WIRE CONNECTS PS3 TO CP1

EXPORT UNITS:
THE TRANSFORMER VIOLET WIRE CONNECTS TO PS3
THE TRANSFORMER VIOLET/WHITE WIRE CONNECTS TO CP1

DATABASE FILE: CHAMP.DBF
 CHECKED BY: *MA*
 DATE: 3-11-93
 APPROVED: *JSS*
 DATE: 03-11-93
 TOLERANCES: UNLESS OTHERWISE NOTED
 X.X ±0.050"
 X.XX ±0.010"
 X.XXX ±0.005"
 ANGLES ±0.500°

PROPRIETARY
 THIS DRAWING DOCUMENT CONTAINS INFORMATION WHICH IS PROPRIETARY TO AND IS THE PROPERTY OF THE FENDER MUSICAL INSTRUMENTS CO. AND MAY NOT BE USED, REPRODUCED OR DISCLOSED IN ANY MANNER WITHOUT THE EXPRESSED WRITTEN CONSENT FROM:
 FENDER MUSICAL INSTRUMENTS CO.
 1130 COLUMBIA ST.
 BREA, CALIFORNIA 92621
 ROCK ON.
 NEXT HIGHER ASSEMBLY:

Fender MUSICAL INSTRUMENTS
 1130 Columbia Street
 Brea, Ca. 92621

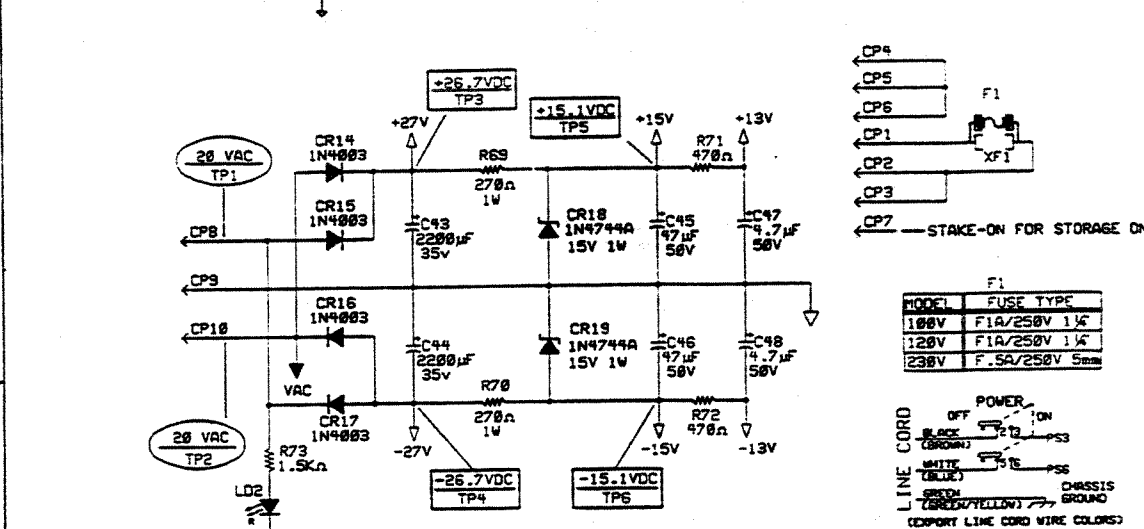
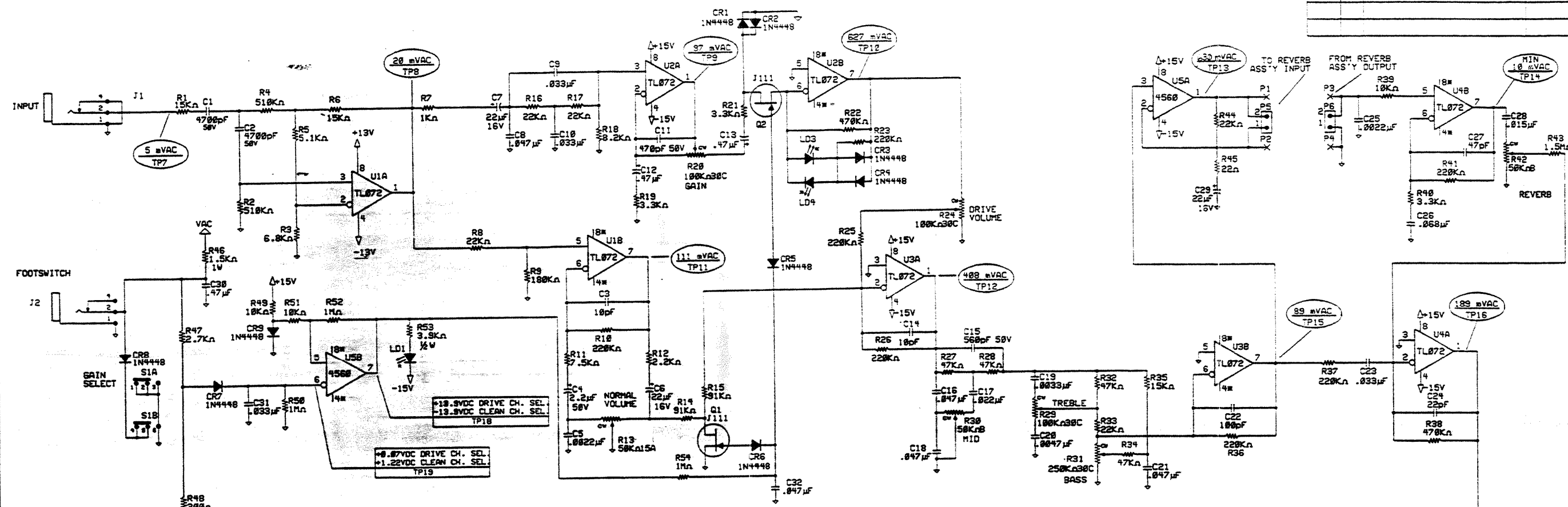
TITLE: SERVICE DIAGRAM
 CHAMPION 110

SIZE	DRAWN: J S SAMS	DRAWING NUMBER	REV.
B	ENGR: J S SAMS	040499	C

SCALE: CREATED: 12-4-92 PLOTTED: 03-MAR-93 SHEET 1 OF 1

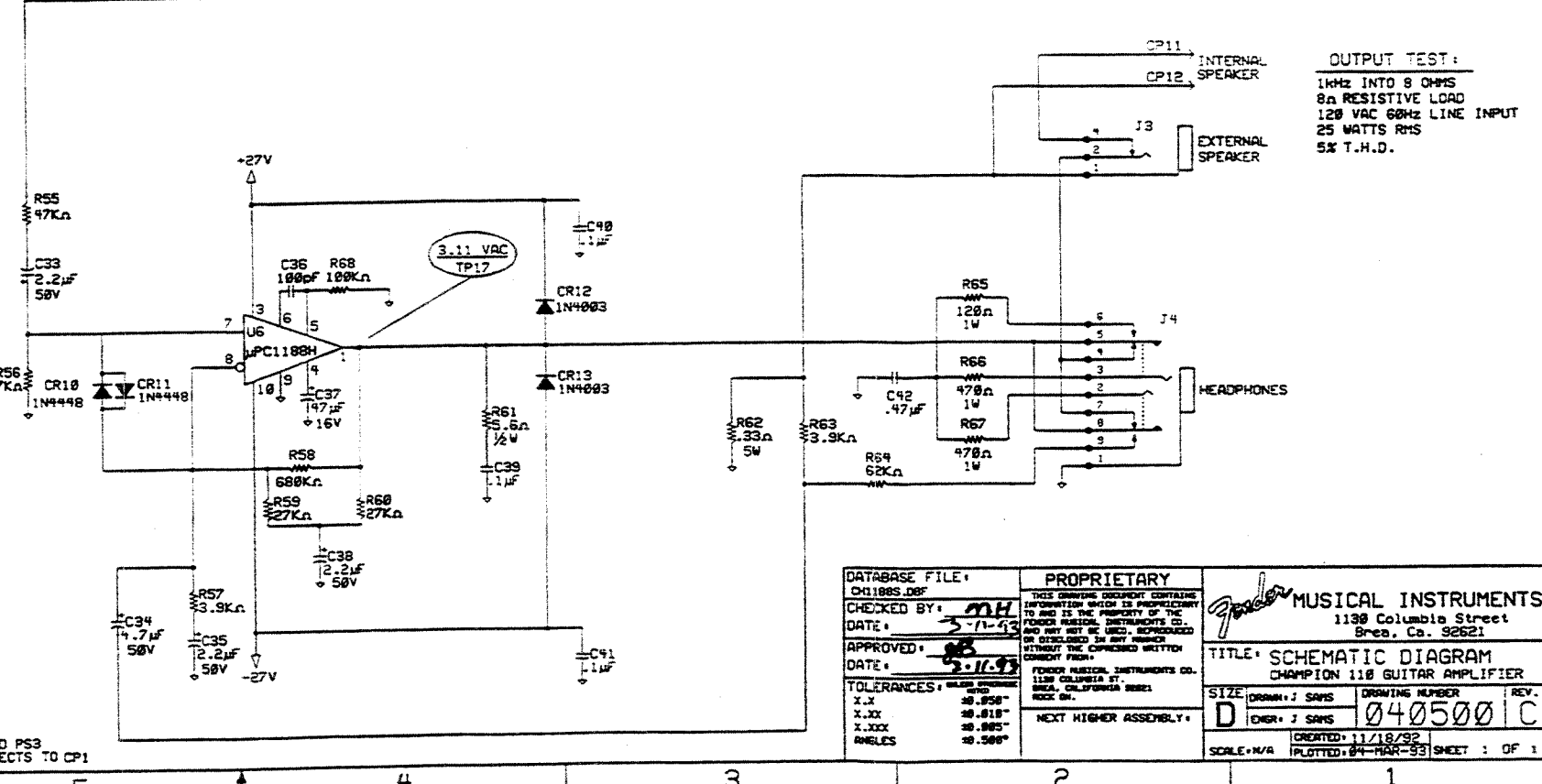
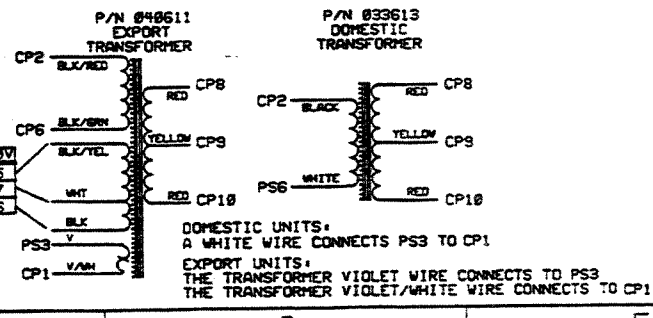
8 7 6 5 4 3 2 1

REVISIONS				
ZONE	REV.	DESCRIPTION	DATE	APPROVED
A		PRODUCT RELEASE PR#225	12-18-92	JSS
B		EC 953	2-26-93	JSS
C		EC 955	3-03-93	JSS



NOTES: UNLESS OTHERWISE SPECIFIED.

1. ALL RESISTORS 1/4W. ± 5%.
2. ALL CAPACITORS 63V MINIMUM.
3. DC VOLTAGES READ TO GROUND WITH A DVM. NO INPUT SIGNAL.
4. AC VOLTAGE READINGS TAKEN WITH DVM TO GROUND UNDER THE FOLLOWING CONDITIONS:
 1kHz INPUT APPLIED THROUGH 1/4" PLUS TO J1
 8Ω RESISTIVE LOAD CONNECTED AT CP11. CP12
 NO FOOTSWITCH
 SELECT "ON"
 GAIN AT 9 O'CLOCK
 REVERB "0"
 ALL OTHER CONTROLS SET TO 12 O'CLOCK
 REVERB PAN CONNECTED



DATABASE FILE: CH1188.DBF CHECKED BY: DATE: APPROVED: DATE: TOLERANCES: X.X .50% X.XX .25% X.XXX .10% ANGLES .50°	PROPRIETARY THIS DRAWING DOCUMENT CONTAINS INFORMATION WHICH IS PROPRIETARY TO AND IS THE PROPERTY OF THE FENDER MUSICAL INSTRUMENTS CO. AND MAY NOT BE REPRODUCED OR DISCLOSED IN ANY MANNER WITHOUT THE EXPRESS WRITTEN CONSENT FROM: FENDER MUSICAL INSTRUMENTS CO. 1130 COLUMBIA STREET BREA, CALIFORNIA 92621 ROCK ON.	FENDER MUSICAL INSTRUMENTS 1130 Columbia Street Brea, Ca. 92621 TITLE: SCHEMATIC DIAGRAM CHAMPION 118 GUITAR AMPLIFIER SIZE: DRAWN: J SAYS DRAWING NUMBER: 0405001C ENG: J SAYS SCALE: N/A CREDITED: 11/18/92 PLOTTED: 04-MAR-93 SHEET: 1 OF 1
-------------------------------------------------------------------------------------------------------------------------------------------------	---------------------------------------------------------------------------------------------------------------------------------------------------------------------------------------------------------------------------------------------------------------------------------------------------------------------------------------------------	------------------------------------------------------------------------------------------------------------------------------------------------------------------------------------------------------------------------------------------------------------------------------------------------

0040502000