

FENDER BXR DUAL BASS 400 HEAD (022-4000-000)

PARTS LIST

This parts list outlines most parts needed to service the Dual Bass 400 Head. Certain parts, commonly available and stocked by most service centers such as non-precision (5% or more) low power (1/4 or 1/2W) fixed value carbon film resistors have been omitted from the list to keep it from becoming unnecessarily long. Capacitors called out as "poly" are metalized polyester film.

**POWER AMPLIFIER STEREO, [002-7614-000]:**

REFERENCE	PART NUMBER	DESCRIPTION	QTY
CB101	0026584-000	Circuit board fab. [not stuffed]	1
HS101,102	0026596-000	Heatsink, TO-3	2
HSK	0025796-000	Heatsink, TO-220	6
Q11,12,14, 15,111,112, 114,115	0028168-000	Transistor MJ15003 NPN TO-3	8
Q13,113	0028166-000	Transistor MJE15031 PNP TO-220	2
Q6,10, 106,110	0028164-000	Transistor MJE15030 NPN TO-220	4
Q201	0026406-000	Transistor TIP 110 darlington	1
Q16,116	0014408-000	Transistor MPS A63 darlington	2
Q5,105	0014867-000	Transistor MPS U10 PNP	2
Q7,107	0014866-000	Transistor MPS U60 NPN	2
Q1,101	0014689-000	Transistor J111 N-chan JFET	2
Q2,3,4,102, 103,104	0014401-000	Transistor 2N5550 NPN TO-92	6
Q9,109,204	0017487-000	Transistor 2N5087 PNP TO-92	3
Q8,108,202, 203,205	0016739-000	Transistor 2N4401 NPN TO-92	5
U201	0013564-000	Regulator voltage -15V 7915	1
U3,103	0027404-000	I.C. op amp CA3080	2
U2,102	0027650-000	I.C. op amp MC33078P	2
U1,101	0013528-000	I.C. op amp 4558	2
P204	0027397-000	Connector 3 pin male-female-male	1
P102	0027393-000	Connector 3 pin female-female-male	1
P2	0027392-000	Connector 3 pin female-male-male	1
F1,2,101,102	0028330-000	Fuse 10 Ampere 3AG	4
F201,202	0048827-000	Fuse 2 Ampere 3AG	2
FCS	0025996-000	Fuse clips	12
TAB	0025802-000	Tab male faston	3
W1--203	0020888-000	Jumper zero ohm resistor	27
L1,101	0027387-000	Inductor 2.5 uhy	2
Z201	0027328-000	Diode zener 1N5246B 1/2W 16V	1
Z202	0027327-000	Diode zener 1N5234B 1/2W 6.2V	1
D12,13, 112,113	0020534-000	Diode rect 1N5402 3A 200V	4
D11,111,208, 209,201-204	0064089-000	Diode rect 1N5059 1A 200V	8

FENDER BXR DUAL BASS 400 HEAD (022-4000-000)

PARTS LIST (CONTINUED)

POWER AMPLIFIER STEREO, [002-7614-000]:

REFERENCE	PART NUMBER	DESCRIPTION	QTY
D1-10,14-17, 101-110,210, 114-117,205- 207	0006260-000	Diode signal 1N4448	32
R33,133	0025674-000	Control trim (bias) 1.5K ohm	2
R43,143	0027479-000	Resistor WW 10W 10% 0.1 ohm	2
R40,42,47, 48,140,142, 147,148	0027478-000	Resistor WW 5W 10% 0.22 ohm	8
R49,50, 149,150	0028020-000	Resistor CF 2W 5% 47 ohm	4
R51,151	0027627-000	Resistor CF 1W 5% 10 ohm	2
R205	0027626-000	Resistor CF 1W 5% 4.7 ohm	1
R21,22, 121,122	0023503-000	Resistor MF 1/4W 1% 110K ohm	4
R20,23, 120,123	0015585-000	Resistor MF 1/4W 1% 100K ohm	4
R16-19, 116-119	0015582-000	Resistor MF 1/4W 1% 10K ohm	8
C201,202	0026408-000	Capacitor 10,000ufd 63V elec	2
C203,204	0016886-000	Capacitor 1000ufd 35V elec	2
C206	0025785-000	Capacitor 470ufd 16V elec	1
C8,108	0027635-000	Capacitor 470ufd 6.3V elec	2
C10,14,15, 110,114,115	0015126-000	Capacitor 100ufd 16V elec	6
C205	0025784-000	Capacitor 47ufd 35V elec	1
C209	0027306-000	Capacitor 10ufd 35V elec	1
C1,5,6,101 105,106,207	0015124-000	Capacitor 10ufd 16V elec	7
C19-22, 119-122	0025779-000	Capacitor 2.2ufd 50V elec	8
C7,9,107 109,208	0016847-000	Capacitor 1ufd 50V elec	5
C16,18, 116,118	0019979-000	Capacitor 0.22ufd 100V poly	4
C2,3,13,17, 23,24,102, 103,113,117, 123,124	0019973-000	Capacitor 0.1ufd 100V poly	12
C11,111	0025970-000	Capacitor 5pfd 1KV disc	2
C12,112	0025982-000	Capacitor 68pfd 1KV disc	2
C4,104	0069724-000	Capacitor 100pfd 1KV disc	2

FENDER BXR DUAL BASS 400 HEAD (022-4000-000)

PARTS LIST (CONTINUED)

REAR PANEL BOARD, [002-7616-000]:

REFERENCE	PART NUMBER	DESCRIPTION	QTY
CB301	0026704-000	Circuit board fab. [not stuffed]	1
P301	0027421-000	Header 12 pin	1
P304	0027412-000	Header 5 pin	1
P302,303	0027408-000	Header 2 pin	2
J308	0027476-000	Connector XLR (line out lo-Z)	1
J301-307	0027674-000	Jack phone (patch, effects, hi-Z)	7
T301	0027325-000	Transformer (line output lo-Z)	1
S301	0027473-000	Switch slide DP3T (effects level)	1
F305	0025802-000	Terminal faston tab	1
U301-304	0013528-000	I.C. dual op amp 4558	1
W301-312	0020888-000	Jumper zero ohm resistor	1
D305,306, 311,312	0064089-000	Diode rect 1N5059 1A 200V	8
D301-304, 307-310,313- 320,323-328	0006260-000	Diode signal 1N4448	26
C316,320	0027320-000	Capacitor 47ufd 16V elec	2
C309	0027313-000	Capacitor 22ufd 16V elec rad	1
C329,339	0025960-000	Capacitor 22ufd 16V elec axi	2
C322	0027305-000	Capacitor 10ufd 16V elec	1
C301-304,325, 326,330,331, 334,335,336, 340,341,344	0026460-000	Capacitor 2.2ufd 16V elec	14
C312,313, 318,319	0027296-000	Capacitor 1ufd 50V elec	4
C310,311,323, 324,345,346	0019973-000	Capacitor 0.1ufd 100V mylar	6
C305,306	0017518-000	Capacitor 560pfd 1KV disc	2
C317,321	0020883-000	Capacitor 10pfd 1KV disc	2
C307,308, 327,328,332, 333,337,338, 342,343	0007029-000	Capacitor 220pfd 1KV disc	10
C314,315	0020925-000	Capacitor 120pfd 1KV disc	2
R313-316, 323,324	0027629-000	Resistor MF 1/4W 1% 29.4K ohm	6
R329	0027630-000	Resistor MF 1/4W 1% 22.1K ohm	1
R325,326, 330,331	0015582-000	Resistor MF 1/4W 1% 10K ohm	4
R327	0027632-000	Resistor MF 1/4W 1% 2.43K ohm	1
R319	0015718-000	Resistor MF 1/4W 1% 1K ohm	1
R328	0027633-000	Resistor MF 1/4W 1% 750 ohm	1
R321	0027634-000	Resistor MF 1/4W 1% 392 ohm	1
R320	0016934-000	Resistor MF 1/4W 1% 100 ohm	1

FENDER BIR DUAL BASS 400 HEAD (022-4000-000)

PARTS LIST (CONTINUED)

3-POLE CROSSOVER BOARD, [002-7405-000]:

REFERENCE	PART NUMBER	DESCRIPTION	QTY
CB401	0026589-000	Circuit board fab. [not stuffed]	1
P401	0027413-000	Connector 6 pin	1
U401,402	0013528-000	I.C. op amp 4558	2
R407,409,411	0026418-000	Control 3-gang 100K (frequency)	1
R413,415	0026416-000	Control 2-gang 10K (balance)	1
R401,402, 404,406	0025816-000	Resistor MF 1/4W 1% 20K ohm	4
W1-4	0020888-000	Jumper zero ohm resistor	4
C404,405	0027305-000	Capacitor 10ufd 16V elec	2
C406,407	0027278-000	Capacitor 0.1ufd 63V poly	2
C401,402,403	0027262-000	Capacitor 0.0068ufd 100V poly	3

PREAMP MOTHER BOARD, [002-6711-000]:

REFERENCE	PART NUMBER	DESCRIPTION	QTY
CB501	0026710-000	Circuit board fab. [not stuffed]	1
R552	0026414-000	Control 200K (gain)	1
R553	0026415-000	Control 10K (volume)	1
D501,502	0006260-000	Diode 1N4448	2
D503,504	0027253-000	Diode LED amber	2
D505	0027254-000	Diode LED red	1
C501,506- 509,521,522 525,528,535 540,542,547 548,549	0027278-000	Capacitor 0.1ufd 63V poly	15
C502,504			
505,514	0027305-000	Capacitor 10ufd 16V elec	4
C503,541	0027269-000	Capacitor 0.033ufd 63V poly	2
C510	0069724-000	Capacitor 100pfd 1KV disc	1
C511,545	0027275-000	Capacitor 0.068ufd 100V poly	2
C512,513,520	0027259-000	Capacitor 0.0033ufd 100V poly	3
C515,523			
529,551	0027296-000	Capacitor 1ufd 50V elec	4
C516,518	0025777-000	Capacitor 470pfd 1KV disc	2
C517,519,546	0027256-000	Capacitor 0.0015ufd 100V poly	3
C524,538	0027267-000	Capacitor 0.022ufd 100V poly	2
C526	0027286-000	Capacitor 0.47ufd 63V poly	1
C527	0027265-000	Capacitor 0.015ufd 100V poly	1
C530	0027272-000	Capacitor 0.047ufd 63V poly	1
C531	0027283-000	Capacitor 0.33ufd 63V poly	1
C532	0027263-000	Capacitor 0.0082ufd 100V poly	1
C533	0027298-000	Capacitor 3.3ufd 50V elec	1

FENDER BXR DUAL BASS 400 HEAD (022-4000-000)

PARTS LIST (CONTINUED)

**PREAMP MOTHER BOARD, [002-6711-000]:**

REFERENCE	PART NUMBER	DESCRIPTION	QTY
C534	0027277-000	Capacitor 0.083ufd 100V poly	1
C536	0027280-000	Capacitor 0.15ufd 63V poly	1
C537	0027261-000	Capacitor 0.0047ufd 100V poly	1
C539	0017518-000	Capacitor 560pfd 1KV disc	1
C542	0027255-000	Capacitor 0.001ufd 100V poly	1
C543	0027264-000	Capacitor 0.01ufd 100V poly	1
C544	0020867-000	Capacitor 330pfd 1KV disc	1
C550	0027262-000	Capacitor 0.0068ufd 100V poly	1
C552	0007029-000	Capacitor 220pfd 1KV disc	1
C553	0004026-000	Capacitor 22pfd 1KV	1
U501-508	0013528-000	I.C. op amp 4558	8
SW501,502	0027338-000	Switch push SPDT (enhance, hi/lo)	2
SW503,504	0027339-000	Switch push DPDT (crossover/line)	2
J501,502	0027640-000	Jack phone PCB mount (inputs)	2
P501,502	0027468-000	Connector 7 pin Molex	2
P503	0027413-000	Connector 6 pin Molex	1
P504	0027421-000	Connector 12 pin Molex	1
P505,506	0027408-000	Connector 2 pin Molex	2
JU501-525	0020888-000	Jumper zero ohm res	25

**PREAMP DAUGHTER BOARD, [002-2769-000]:**

REFERENCE	PART NUMBER	DESCRIPTION	QTY
CB601	0027689-000	Circuit board fab. [not stuffed]	1
R601-611	0027812-000	Pot linear travel EQ slider	11
P601,602	0027471-000	Connector 7 pin Molex	2

**PRIMARY BOARD, [002-7438-000]:**

REFERENCE	PART NUMBER	DESCRIPTION	QTY
CB701	0027437-000	Circuit board fab. [not stuffed]	1
FC701,702	0025996-000	Fuse clips	2
TH701	0026411-000	Thermister	1
P701-710	0025802-000	Faston tabs	10

FENDER BXR DUAL BASS 400 HEAD (022-4000-000)

PARTS LIST (CONTINUED)

**CHASSIS ASSEMBLY, [002-7612-000]:**

REFERENCE	PART NUMBER	DESCRIPTION	QTY
CH801	0026738-000	Chassis w/screening	1
CH802	0026747-000	Chassis front	1
CH803	0026760-000	Chassis cover	1
RC801-804	0027776-000	Ribbon cable 2 pin	4
RC802	0027777-000	Ribbon cable 5 pin	1
RC803	0027778-000	Ribbon cable 6 pin	1
RC804	0027780-000	Ribbon cable 12 pin	1
LC801	0026541-000	Power line cord w/tabs [100/120V]	1
J801,802	0027477-000	Jack phone hi-current (speakers)	2
S801	0026479-000	Switch rocker (power on/off)	1
K801-803	0026402-000	Knob pointer black	3
K804-814	0026749-000	Knob sliders black	11
K815-818	0027360-000	Knob push/sw red	4
K819	0026790-000	Knob thumb control	1
B801-810	0026553-000	Screw button-up front to chassis	10
B811-816	9904100-190	Screw button-up cover mounting	6

**TRANSFORMER AND SHIELD ASSEMBLY, [002-7798-000]:**

REFERENCE	PART NUMBER	DESCRIPTION	QTY
T901	0026410-000	Transformer power	1
D901	0013594-000	Rectifier bridge	1
F901	0018677-000	Fuse 8 ampere quick acting	1

FENDER BXR DUAL BASS 400 HEAD (022-4040-000)

240 VOLT EXPORT MODEL VERSION:

**TRANSFORMER AND SHIELD ASSEMBLY, [002-8012-000]:**

REFERENCE	PART NUMBER	DESCRIPTION	QTY
T901	0027659-000	Transformer power	1
D901	0013594-000	Rectifier bridge	1
F901	0039982-000	Fuse 4 ampere quick acting	1

FENDER BXR DUAL BASS 400 HEAD (022-4040-000)

PARTS LIST (CONTINUED)

240 VOLT EXPORT MODEL VERSION:

CHASSIS ASSEMBLY, [002-7655-000]:

REFERENCE	PART NUMBER	DESCRIPTION	QTY
LC801	0026767-000	Power line cord w/tabs [220/240V]	1

FENDER BXR DUAL BASS 400 HEAD (022-4050-000)

220 VOLT EXPORT MODEL VERSION:

TRANSFORMER AND SHIELD ASSEMBLY, [002-8013-000]:

REFERENCE	PART NUMBER	DESCRIPTION	QTY
T901	0027659-000	Transformer power	1
D901	0013594-000	Rectifier bridge	1
F901	0039982-000	Fuse 4 ampere quick acting	1

CHASSIS ASSEMBLY, [022-7657-000]:

REFERENCE	PART NUMBER	DESCRIPTION	QTY
LC801	0026767-000	Power line cord w/tabs [220/240V]	1

FENDER BXR DUAL BASS 400 HEAD (022-4070-000)

100 VOLT EXPORT MODEL VERSION:

TRANSFORMER AND SHIELD ASSEMBLY, [002-8014-000]:

REFERENCE	PART NUMBER	DESCRIPTION	QTY
T901	0027659-000	Transformer power	1
D901	0013594-000	Rectifier bridge	1
F901	0018677-000	Fuse 8 ampere quick acting	1

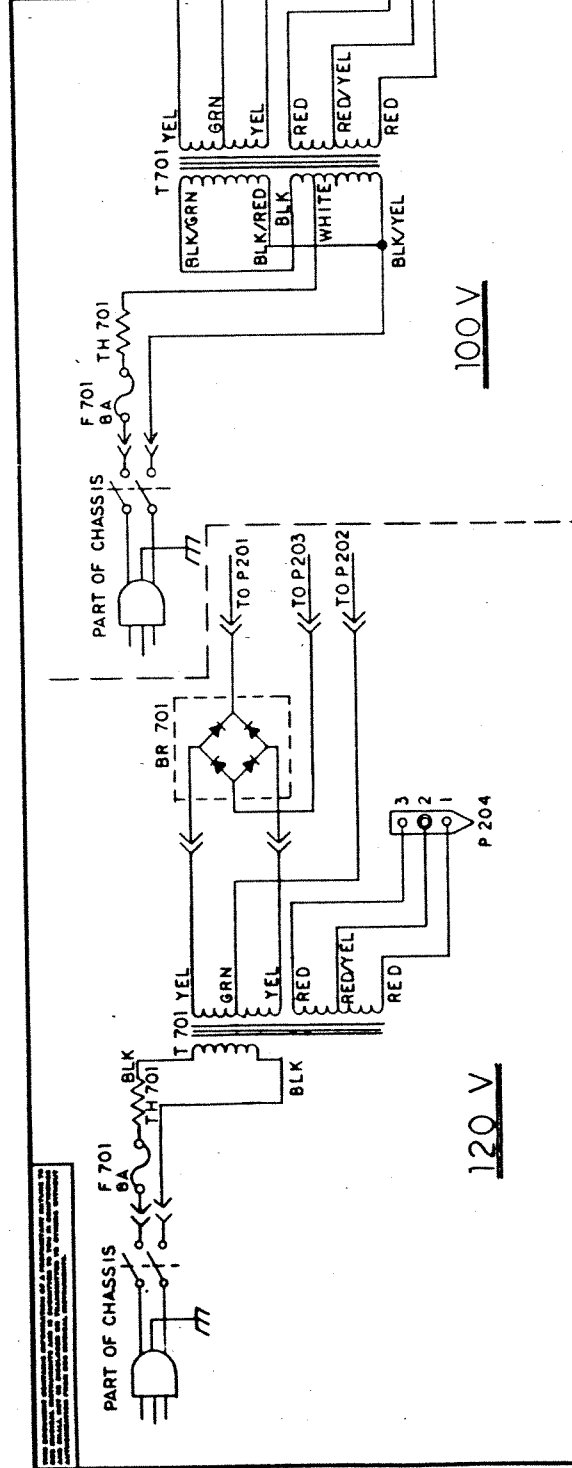
CHASSIS ASSEMBLY, [022-7658-000]:

REFERENCE	PART NUMBER	DESCRIPTION	QTY
LC801	0026541-000	Power line cord w/tabs [100/120V]	1



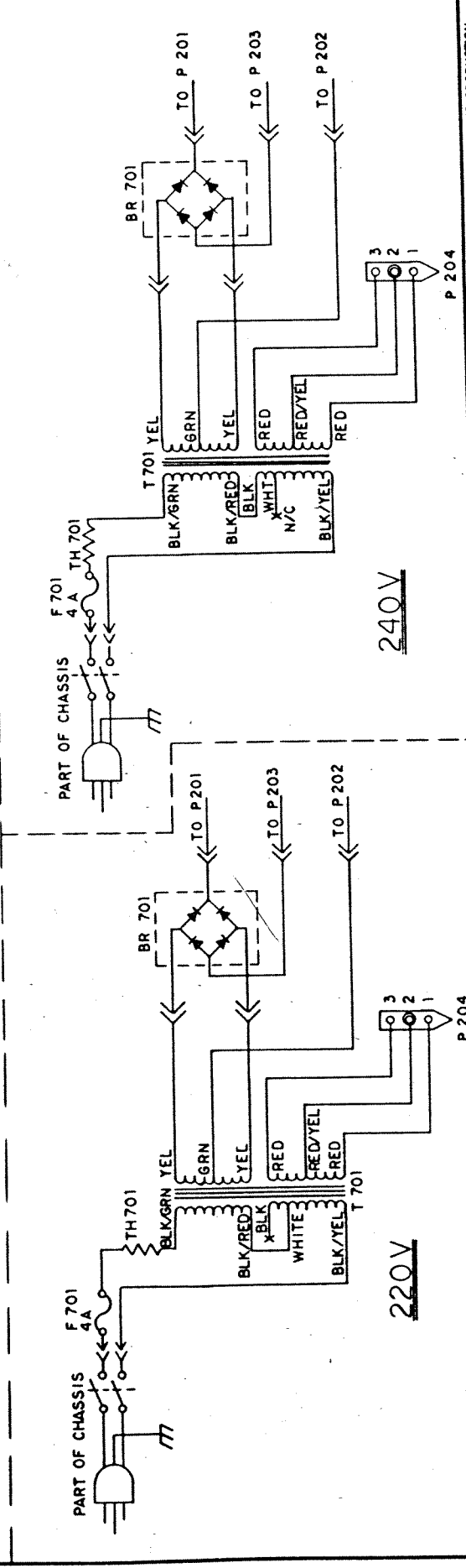


REV.	REVISIONS	BY	DATE	APPD.
A	RELEASED PRS	JA	9-25-67	fd



120 V

100 V



240 V

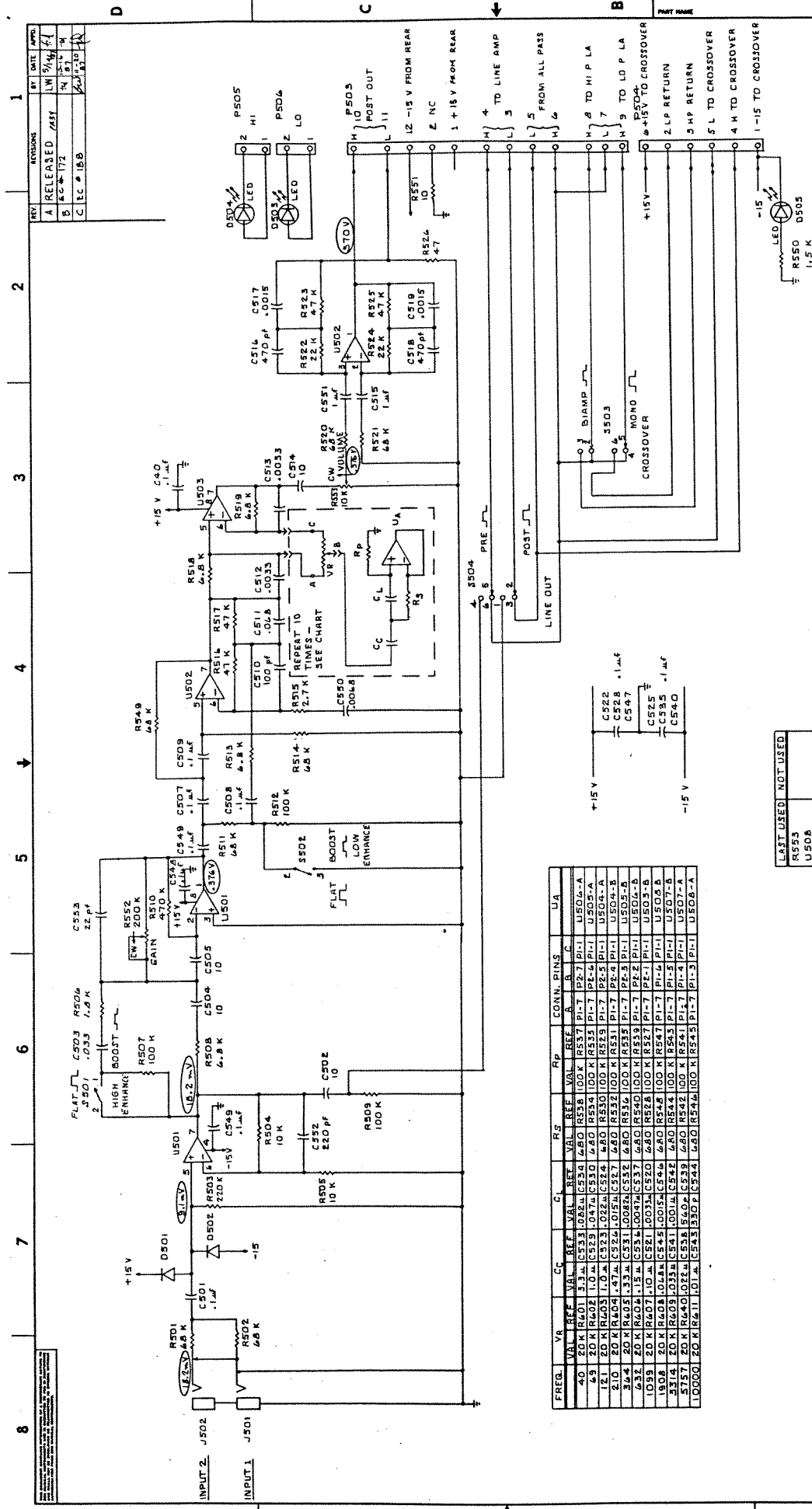
220 V

PART NO. PART NAME - SCHEMATIC, PRIMARY, DUAL PASS

SAMPLES OF FIRST ARTICLE PARTS MUST BE APPROVED BY <input type="checkbox"/> FENDER <input type="checkbox"/> ROGERS <input type="checkbox"/> RHODES R & D ENG. BEFORE STARTING PRODUCTION	
DWN <i>EL</i> DATE <i>5/17/67</i>	CHK DATE / /
APP DATE / /	APP DATE / /
P.L. DATE / /	P.L. DATE / /
MATERIAL	
FINISH	
UNLESS OTHERWISE SPECIFIED	
TOLERANCES	
FRACTIONS: $\pm 1/32$	
DEC: $\pm .015$	
ANGLES: $\pm 1/16$	
Holes: $\pm .005$	
Holes: $\pm 1/16$	
Holes: $\pm .005 - .000$	
Holes: $\pm 1^\circ$	
Holes: DRILLED & PIERCED - $\pm .003 - .001$	
DRAFT ANGLES: MAX.	
STRAIGHTNESS:	
UNMARKED ANGLES ARE $90^\circ$	
ALL DIMENSIONS ARE IN INCHES	
DO NOT SCALE DRAWING	
HEAT TREATMENT	USED ON
ROCKWELL	NDT ASSY

**Fender / ROGERS / Rhodes**  
 PERFORMANCIAL INSTRUMENTS  
 SANTA CALIFORNIA 91321  
 PART NAME  
 SCHEMATIC PRIMARY  
 DUAL PASS 400  
 PART NO. 027804  
 RELEASE SIZE C  
 MODEL NO. DUAL-Base-400  
 SCALE  
 REV. A

1. THERMISTOR TH 701 IS PN 026411.  
 NOTES: UNLESS OTHERWISE SPECIFIED



FREQ.	V <sub>A</sub>	V <sub>B</sub>	V <sub>C</sub>	V <sub>D</sub>	V <sub>E</sub>	V <sub>F</sub>	V <sub>G</sub>	V <sub>H</sub>	V <sub>I</sub>	V <sub>J</sub>	V <sub>K</sub>	V <sub>L</sub>	V <sub>M</sub>	V <sub>N</sub>	V <sub>O</sub>	V <sub>P</sub>	V <sub>Q</sub>	V <sub>R</sub>	V <sub>S</sub>	V <sub>T</sub>	V <sub>U</sub>	CONN.	PINS.	UA
40	20 K	R401	1.0 M	C503	0.02 M	C504	4.8 K	R503	100 K	R504	100 K	R505	100 K	R506	100 K	R507	100 K	R508	100 K	R509	100 K	P1-1	P1-1	U504-A
49	20 K	R402	1.0 M	C503	0.02 M	C504	4.8 K	R503	100 K	R504	100 K	R505	100 K	R506	100 K	R507	100 K	R508	100 K	R509	100 K	P1-2	P1-1	U505-A
121	20 K	R403	1.0 M	C503	0.02 M	C504	4.8 K	R503	100 K	R504	100 K	R505	100 K	R506	100 K	R507	100 K	R508	100 K	R509	100 K	P1-3	P1-1	U504-B
210	20 K	R404	1.0 M	C503	0.02 M	C504	4.8 K	R503	100 K	R504	100 K	R505	100 K	R506	100 K	R507	100 K	R508	100 K	R509	100 K	P1-4	P1-1	U505-B
364	20 K	R405	1.0 M	C503	0.02 M	C504	4.8 K	R503	100 K	R504	100 K	R505	100 K	R506	100 K	R507	100 K	R508	100 K	R509	100 K	P1-5	P1-1	U504-C
632	20 K	R406	1.0 M	C503	0.02 M	C504	4.8 K	R503	100 K	R504	100 K	R505	100 K	R506	100 K	R507	100 K	R508	100 K	R509	100 K	P1-6	P1-1	U505-C
1038	20 K	R407	1.0 M	C503	0.02 M	C504	4.8 K	R503	100 K	R504	100 K	R505	100 K	R506	100 K	R507	100 K	R508	100 K	R509	100 K	P1-7	P1-1	U504-D
1908	20 K	R408	1.0 M	C503	0.02 M	C504	4.8 K	R503	100 K	R504	100 K	R505	100 K	R506	100 K	R507	100 K	R508	100 K	R509	100 K	P1-8	P1-1	U505-D
3114	20 K	R409	1.0 M	C503	0.02 M	C504	4.8 K	R503	100 K	R504	100 K	R505	100 K	R506	100 K	R507	100 K	R508	100 K	R509	100 K	P1-9	P1-1	U504-E
5171	20 K	R410	1.0 M	C503	0.02 M	C504	4.8 K	R503	100 K	R504	100 K	R505	100 K	R506	100 K	R507	100 K	R508	100 K	R509	100 K	P1-10	P1-1	U505-E
10000	20 K	R411	1.0 M	C503	0.02 M	C504	4.8 K	R503	100 K	R504	100 K	R505	100 K	R506	100 K	R507	100 K	R508	100 K	R509	100 K	P1-11	P1-1	U504-F

LAST USED NOT USED

R553  
U506  
D505  
J502  
J504  
P504

- LED'S ARE: AMBER, PN 027253.
- RED, PN 027254.
- ALL AC VOLTAGES TAKEN WITH EQ. SLIDERS AT '0', ALL BUTTONS OUT AND GAIN VOLUME AT '10'.
- ALL CAPACITORS ARE IN MICROFARADS.
- D501 & D502 ARE JN-444-B, P/N 00622-D.
- ALL IC'S ARE 4558 P/N 015523.
- ALL RESISTORS ARE C<sub>1</sub>, 2.5%, 1/4 W. VALUES ARE IN OHMS.

NOTES: UNLESS OTHERWISE SPECIFIED

REV.	REVISIONS	BY	DATE	APPRO.
A	RELEASED	WST	11/14/54	
B	EC-172	W	11/14/54	
C	EC-188	W	11/14/54	

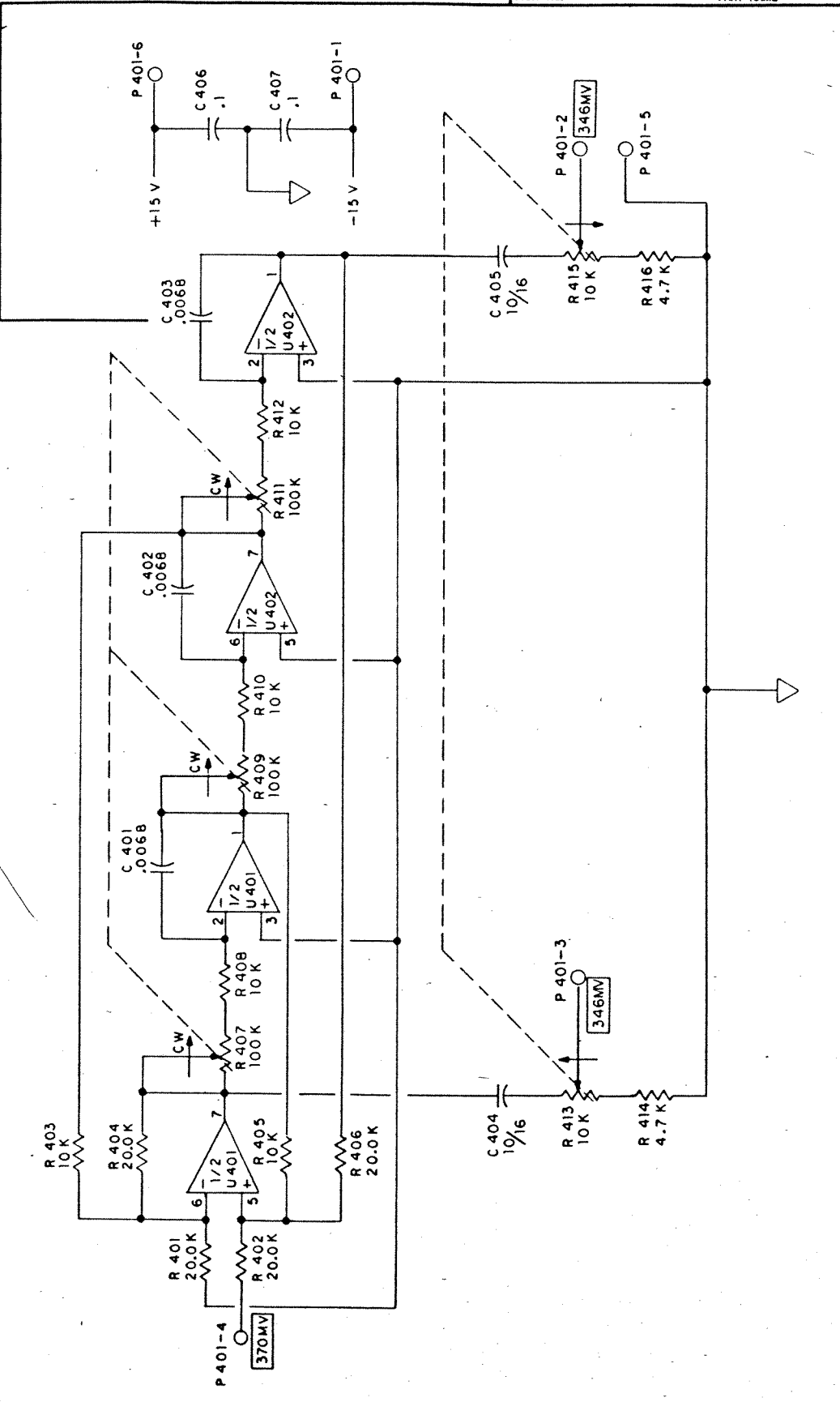
ROBERTS / Rhodes / Rhodes

ROBERTS / Rhodes / Rhodes

ROBERTS / Rhodes / Rhodes

DATE	BY	NO.	REV.
11/14/54	W	026712	1

REV.	REVISIONS	BY	DATE	APPR.
A	REC'D - 08-29	RSJ	8-29-87	Ed
B	EC 101305	AW	11-20-87	AW



THIS DOCUMENT CONTAINS NEITHER RECOMMENDATIONS NOR DISCLAIMERS ON THE PARTS LISTED HEREIN. THE PARTS LISTED HEREIN ARE SUBJECT TO CHANGE WITHOUT NOTICE. THE PARTS LISTED HEREIN ARE NOT TO BE USED IN ANY OTHER APPLICATION WITHOUT THE WRITTEN APPROVAL OF THE MANUFACTURER.

2. IC'S U401 & U402 ARE 4558, PN 013528.
1. AC VOLTAGES SHOWN XXXIII, ARE TAKEN AT 500HZ FOR P401-2 AND 2 KHZ FOR P401-3 WITH FREQUENCY CONTROL SET TO 1 KHZ (MID-POSITION) AND BALANCE SET TO MID POSITION. NOTES: UNLESS OTHERWISE SPECIFIED

SAMPLES OF FIRST ARTICLE PARTS MUST BE APPROVED BY  FENDER  ROGERS  RHODES R & D ENG. BEFORE STARTING PRODUCTION

DATE	3/2/87
DWN	Ed
CHK	
APP	
P.C.	

MATERIAL

UNTIL DATE	BY
3/2/87	Ed

FINISH - TO C.B.S. SPEC.

HEAT TREATMENT	
ROOMWELL	
NEXT ASSY NO.	
USED ON	

UNLESS OTHERWISE SPECIFIED TOLERANCES

FRACTIONS	± 1/32
XX	± .010
XXX	± .005
ANGLES	± 1/2°
FRACTIONS - WOOD	± 1/16
HOLES - CORED	+ .005 - .000
BEND ANGLES	± 1°
HOLES - DRILLED & PIERCED	+ .003 - .001
DRAFT ANGLES	MAX.
STRAIGHTNES	MAX.
UNMARKED ANGLES ARE 90°	
ALL DIMENSIONS ARE IN INCHES	
DO NOT SCALE DRAWING	

**Fender / Rogers / Rhodes**

FENDER MUSICAL INSTRUMENTS - 1130 COLUMBIA ST. BREA, CALIFORNIA 91111

PART NAME

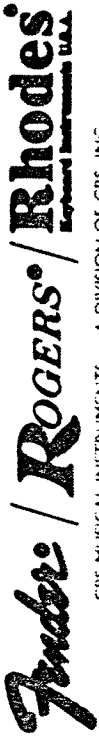
**SCHEMATIC CROSSOVER**

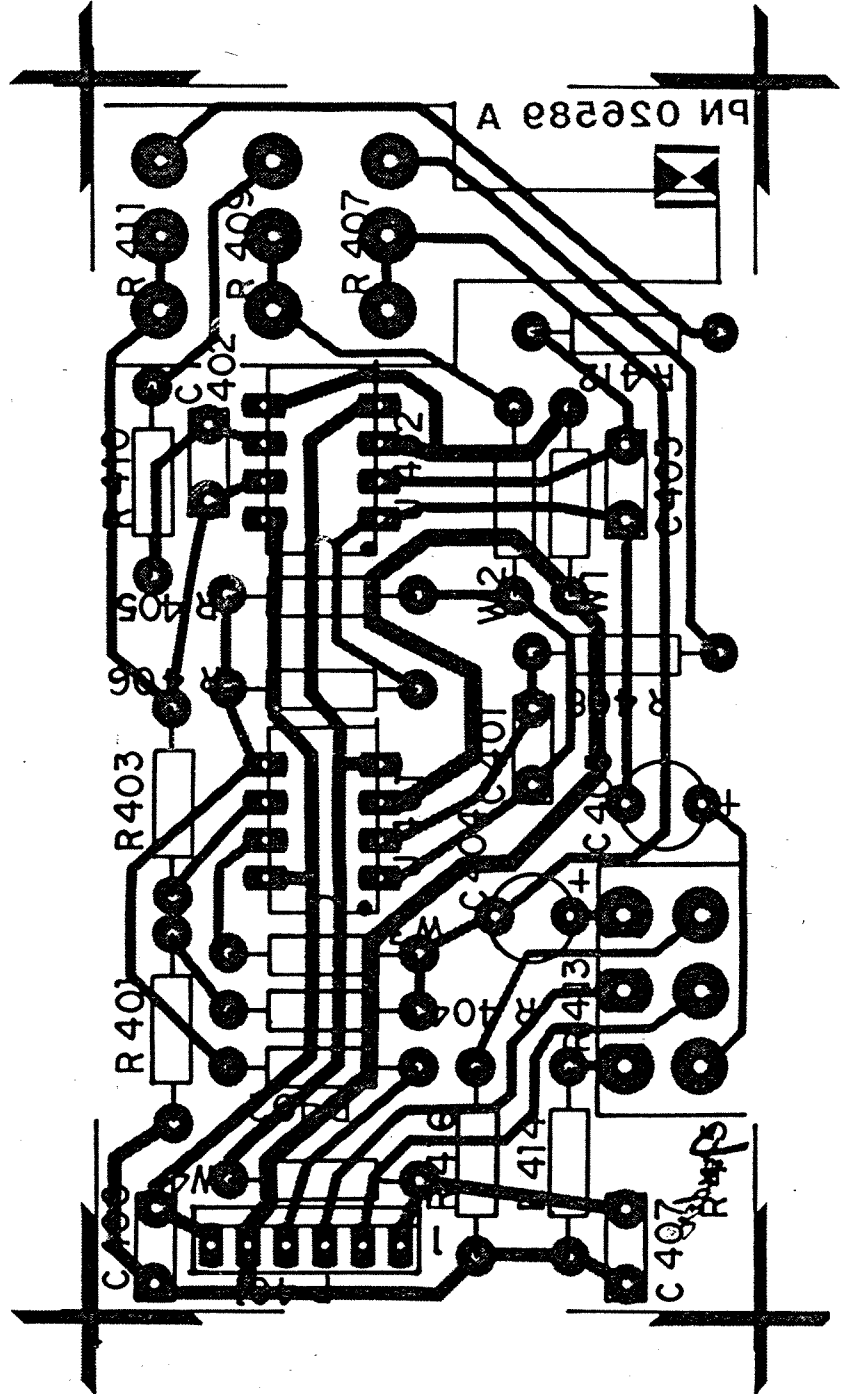
DUAL PASS 400

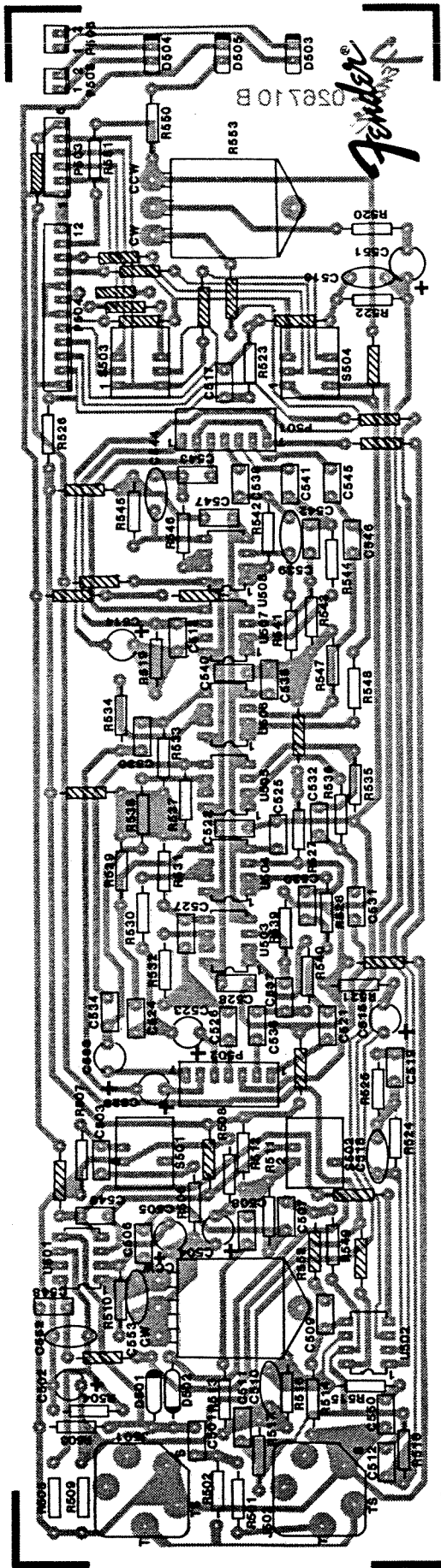
RELEASE	SIZE	PART NO.	REV
C		027341	B

SCALE

MODEL NO.

 <small>CBS MUSICAL INSTRUMENTS - A DIVISION OF CBS INC FULLERTON, CALIFORNIA 92833</small>		DATE	12/2/86
		CHK	/ /
		APPD E. E.	/ /
SCALE	2/1	REV	A
PART NO.		PART NAME	
026589		XOVER BLD. - 33 PROLEE	





Fender  
05810B

05810B

R553

R560

R520

C551

S504

R523

R526

R523

R523

R523

R523

R523

R523

R523

R523

R523

R523

R523

R523

R523

R523

R523

R523

R523

R523

R523

R523

R523

R523

R523

R523

R523

R523

R523

R523

R523

R523

R523

R523

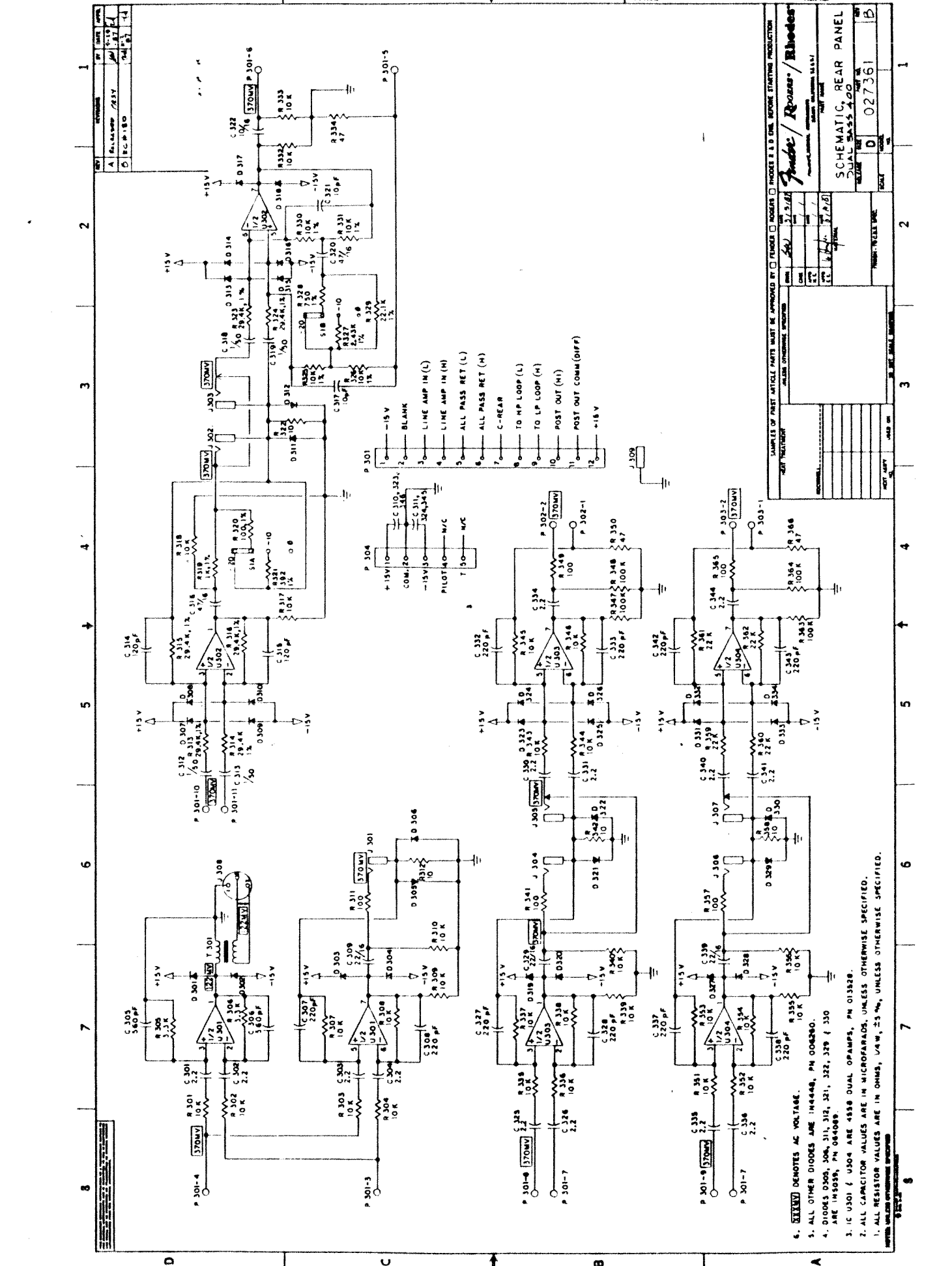
R523

R523

R523

R523

R523

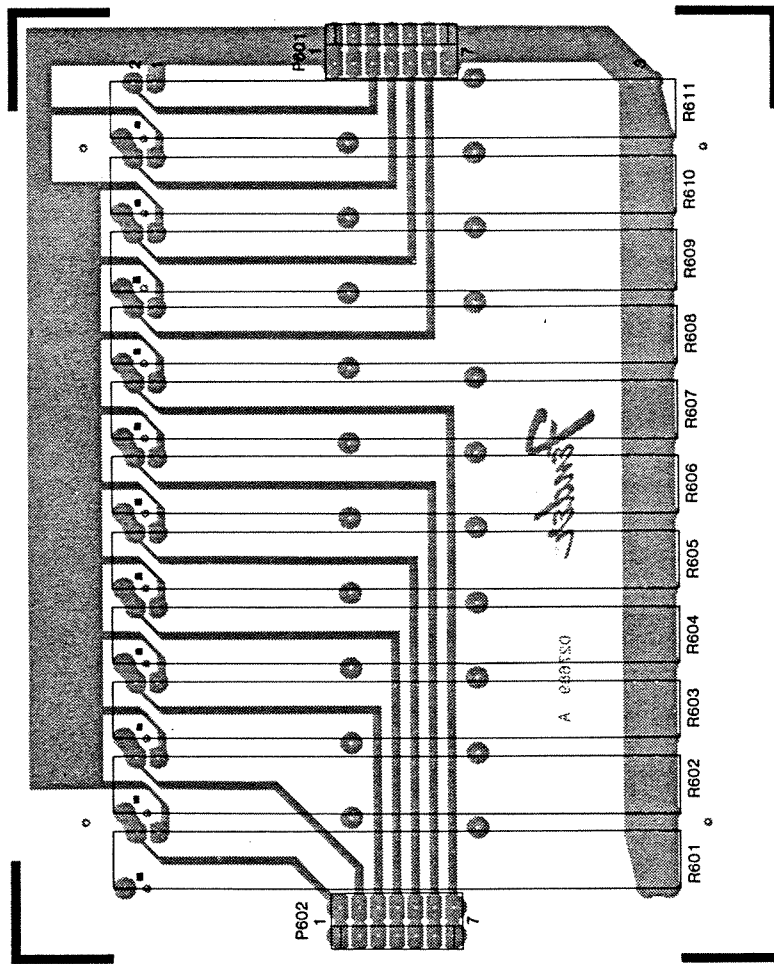


REV	REVISIONS		DATE	BY		
	NO.	DESCRIPTION				
	1	ASSEMBLED			10/27/54	FJ
	2	REWORKED			11/21/54	FJ

6. **510V** DENOTES AC VOLTAGE.  
 7. ALL OTHER DIODES ARE 1N4448, PN 00280.  
 8. DIODES D309, 304, 311, 312, 321, 322, 329 ( P 330 ) ARE 1N5059, PN 054089.  
 9. IC U301 ( U304 ) ARE 4558 DUAL OPAMPS, PN 013828.  
 10. ALL CAPACITOR VALUES ARE IN MICROFARADS, UNLESS OTHERWISE SPECIFIED.  
 11. ALL RESISTOR VALUES ARE IN OHMS, 1/4W, ±5%, UNLESS OTHERWISE SPECIFIED.

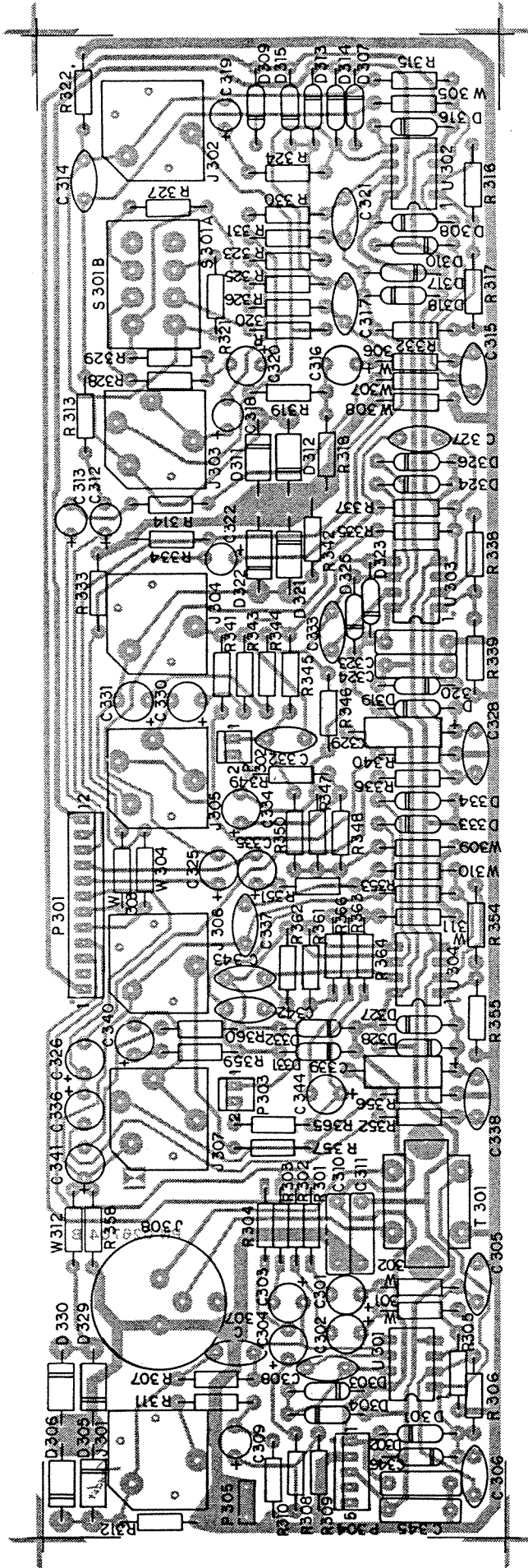
REV	NO.	DESCRIPTION	DATE	BY
1	1	ISSUED FOR PRODUCTION	11/17/54	FJ
2	1	ISSUED FOR PRODUCTION	11/17/54	FJ
3	1	ISSUED FOR PRODUCTION	11/17/54	FJ

**ROHMCO** / **Rohde & Schwarz**  
 MODEL 2.0 D ONE-IMPULSE STARTING PRODUCTION  
 DATE: 11/17/54  
 SCHEMATIC, REAR PANEL  
 SERIAL NO. 027361

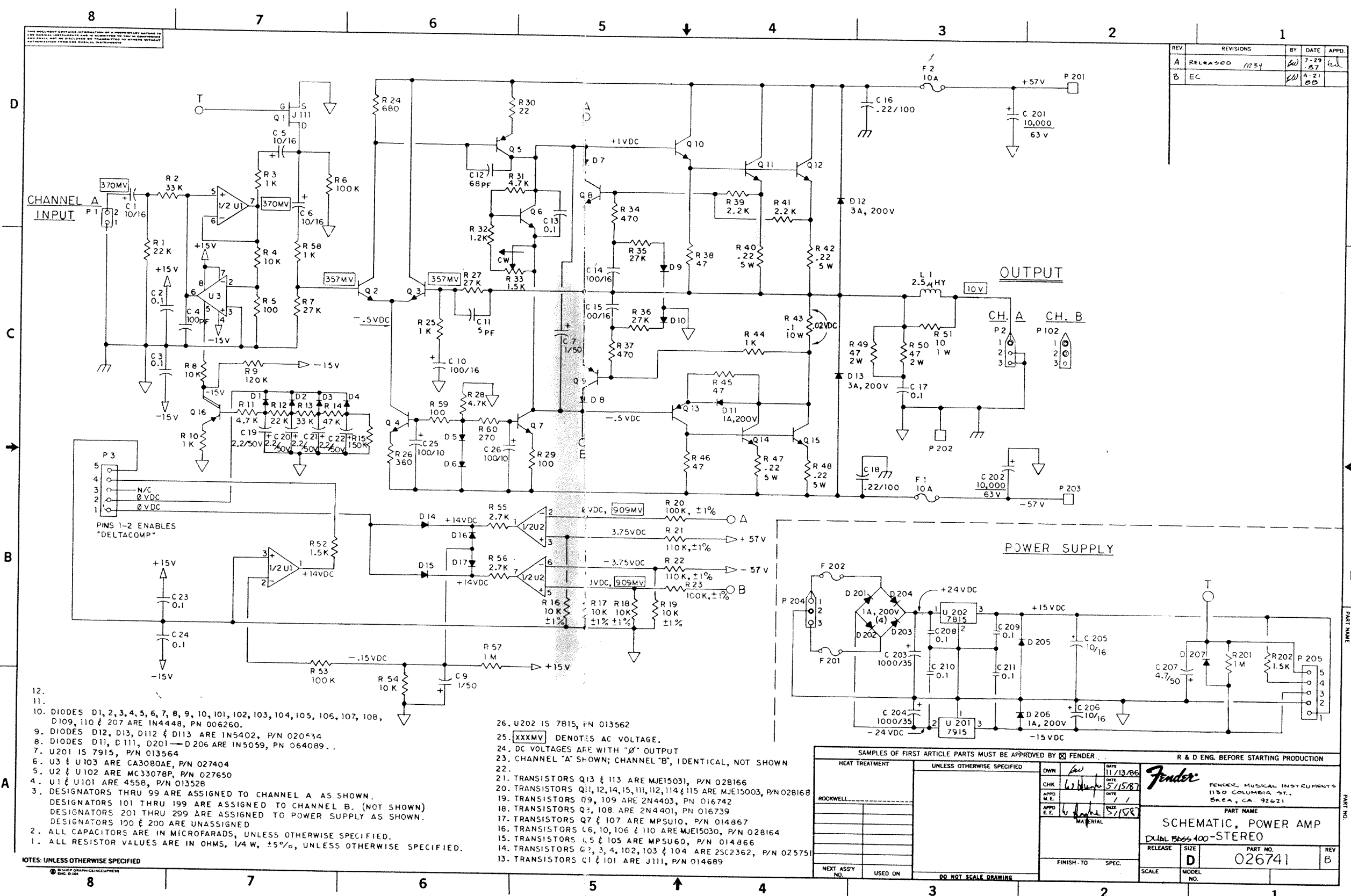


THIS SIDE TO BRG

10 30 84  
Fender / **Rhodes** /  
PARTS  
2/11 B  
026704  
REAR PANEL BD.







REV.	REVISIONS	BY	DATE	APPD.
A	RELEASED 12/54	W	7-29-67	W
B	EC	W	1-21-68	W

12. U3 & U103 ARE CA3080AE, P/N 027404  
 11. U2 & U102 ARE MC33078P, P/N 027650  
 10. DIODES D1, 2, 3, 4, 5, 6, 7, 8, 9, 10, 101, 102, 103, 104, 105, 106, 107, 108, D109, 110 & 207 ARE IN4448, P/N 006260.  
 9. DIODES D12, D13, D112 & D113 ARE 1N5402, P/N 020434  
 8. DIODES D11, D111, D201—D206 ARE 1N5059, P/N 064089...  
 7. U201 IS 7915, P/N 013564  
 6. U1 & U101 ARE 4558, P/N 013528  
 5. DESIGNATORS THRU 99 ARE ASSIGNED TO CHANNEL A AS SHOWN. DESIGNATORS 101 THRU 199 ARE ASSIGNED TO CHANNEL B. (NOT SHOWN) DESIGNATORS 201 THRU 299 ARE ASSIGNED TO POWER SUPPLY AS SHOWN. DESIGNATORS 100 & 200 ARE UNASSIGNED  
 4. ALL CAPACITORS ARE IN MICROFARADS, UNLESS OTHERWISE SPECIFIED.  
 3. ALL RESISTOR VALUES ARE IN OHMS, 1/4 W, ±5%, UNLESS OTHERWISE SPECIFIED.

26. U202 IS 7815, P/N 013562  
 25. [XXXMV] DENOTES AC VOLTAGE.  
 24. DC VOLTAGES ARE WITH "Ø" OUTPUT  
 23. CHANNEL "A" SHOWN; CHANNEL "B", IDENTICAL, NOT SHOWN  
 22. 21. TRANSISTORS Q13 & 113 ARE MJE15031, P/N 028166  
 20. TRANSISTORS Q1, 12, 14, 15, 111, 112, 114 & 115 ARE MJE15003, P/N 028166  
 19. TRANSISTORS Q9, 109 ARE 2N4403, P/N 016742  
 18. TRANSISTORS Q2, 108 ARE 2N4401, P/N 016739  
 17. TRANSISTORS Q7 & 107 ARE MPSU10, P/N 014867  
 16. TRANSISTORS Q6, 10, 106 & 110 ARE MJE15030, P/N 028164  
 15. TRANSISTORS Q5 & 105 ARE MPSU60, P/N 014866  
 14. TRANSISTORS Q3, 3, 4, 102, 103 & 104 ARE 2SC2362, P/N 023751  
 13. TRANSISTORS Q1 & 101 ARE J111, P/N 014689

SAMPLES OF FIRST ARTICLE PARTS MUST BE APPROVED BY FENDER. R & D ENG. BEFORE STARTING PRODUCTION

HEAT TREATMENT	UNLESS OTHERWISE SPECIFIED	DWN	11/13/86	 FENDER MUSICAL INSTRUMENTS 1150 COLUMBIA ST. BREA, CA. 92621
ROCKWELL		CHK	3/15/87	
		APPD. M.E.		
		APPD. E.E.	5/15/88	
NEXT ASSY NO.	USED ON	FINISH TO	SPEC.	PART NAME <b>SCHEMATIC, POWER AMP</b> Dual Boss 400-STEREO RELEASE SIZE PART NO. REV SCALE MODEL NO. <b>026741</b> B

DO NOT SCALE DRAWING