

SERVICE MANUAL

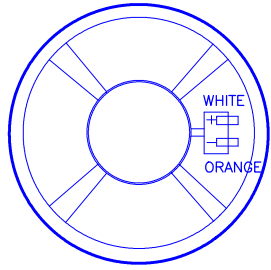
D I G I T A L P I A N O D P 9 0



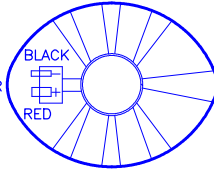
CONTENTS

- 1. WIRE DIAGRAM**
- 2. SCHEMATIC**
- 3. PCB LAYOUT**
- 4. REPLACEMENT PARTS LIST**

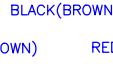
380 GRAND DISTRIBUTING WIRES DRAWING



LEFT SPEAKER



RIGHT SPEAKER

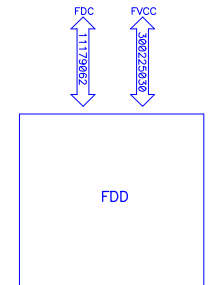
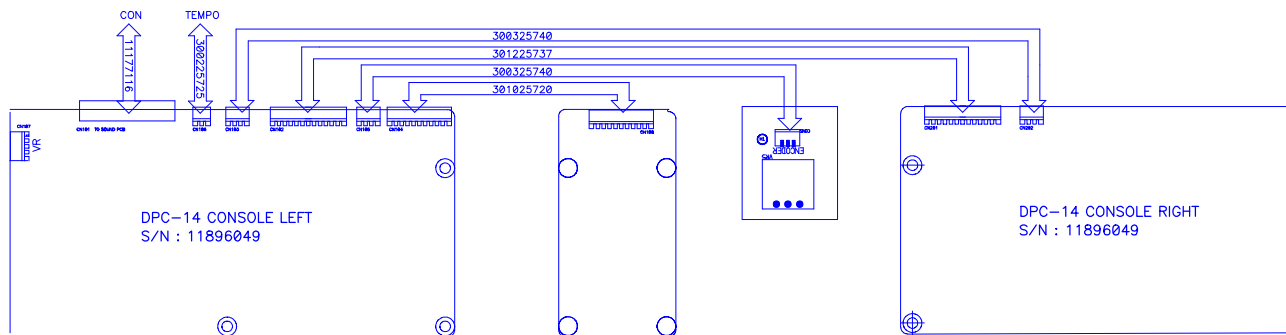
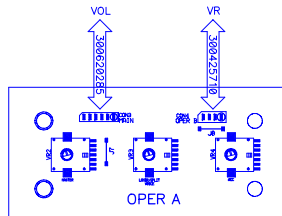
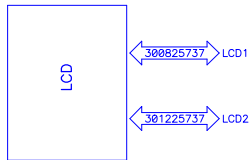
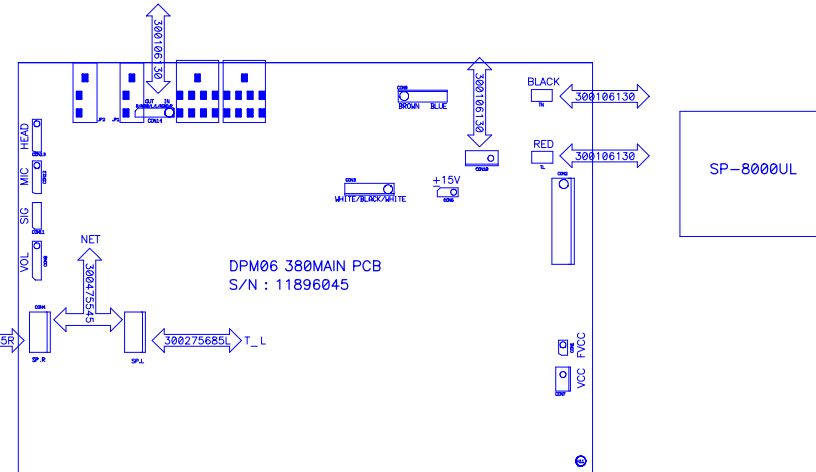
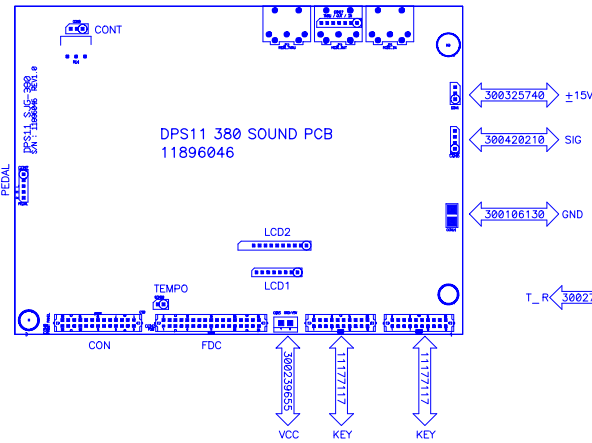
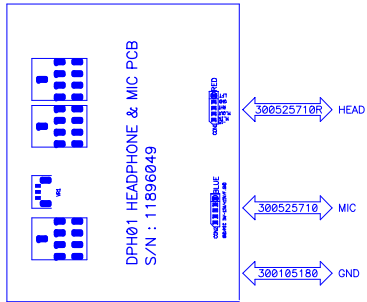
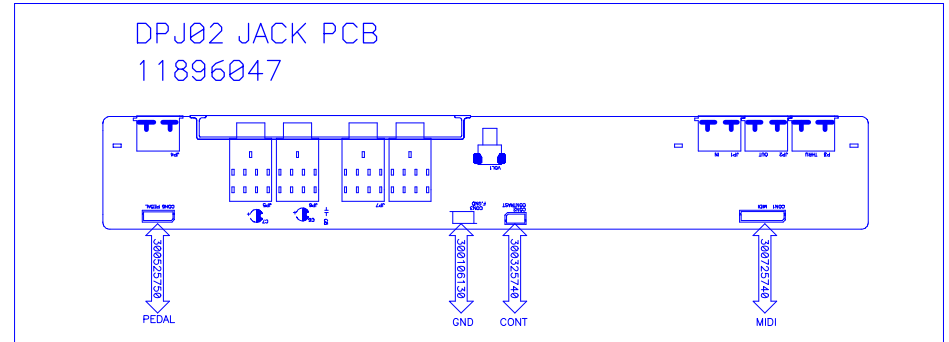


ORANGE

T_R

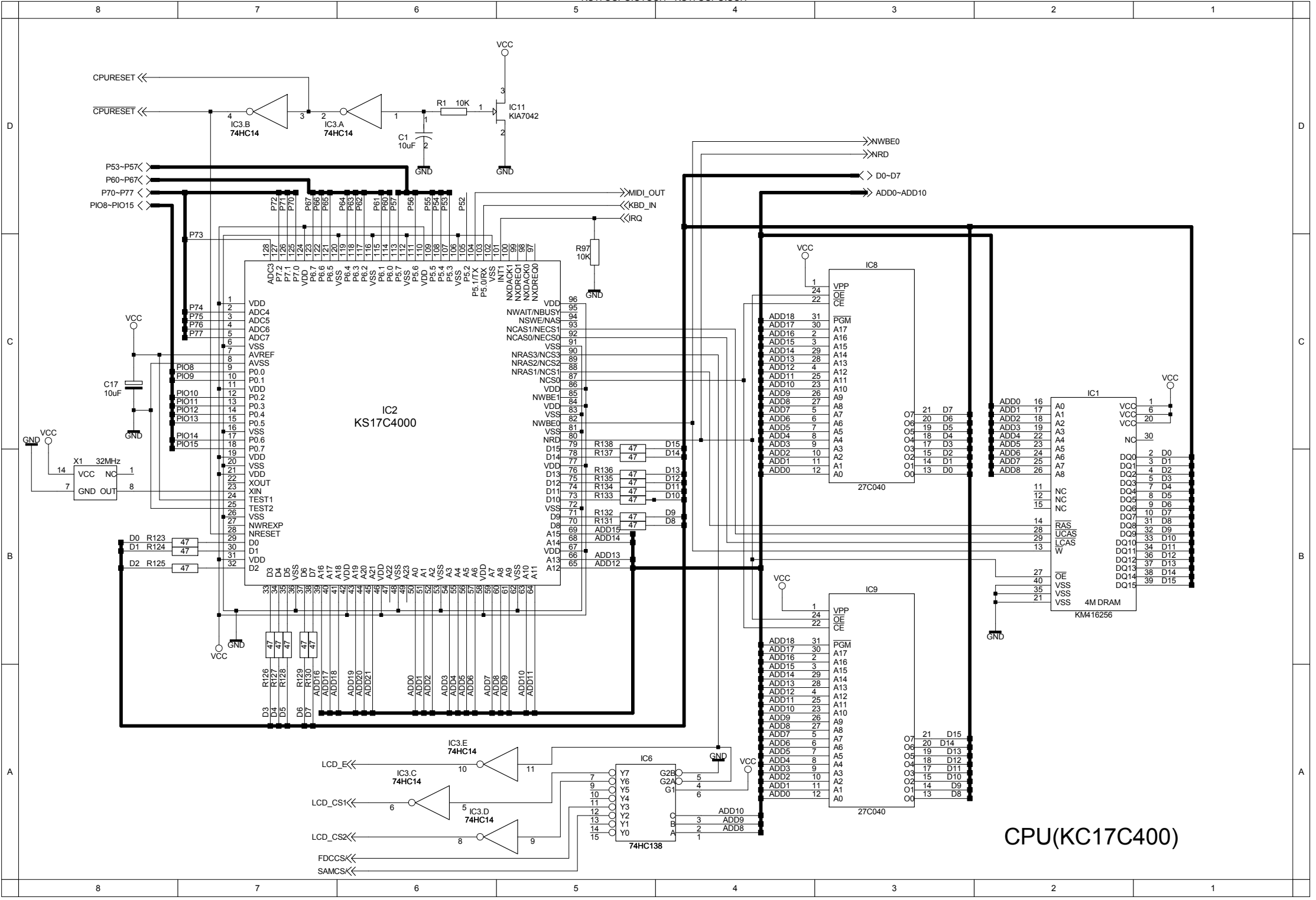
LEFT SPEAKER ← 300475665L

300475665R → RIGHT SPEAKER

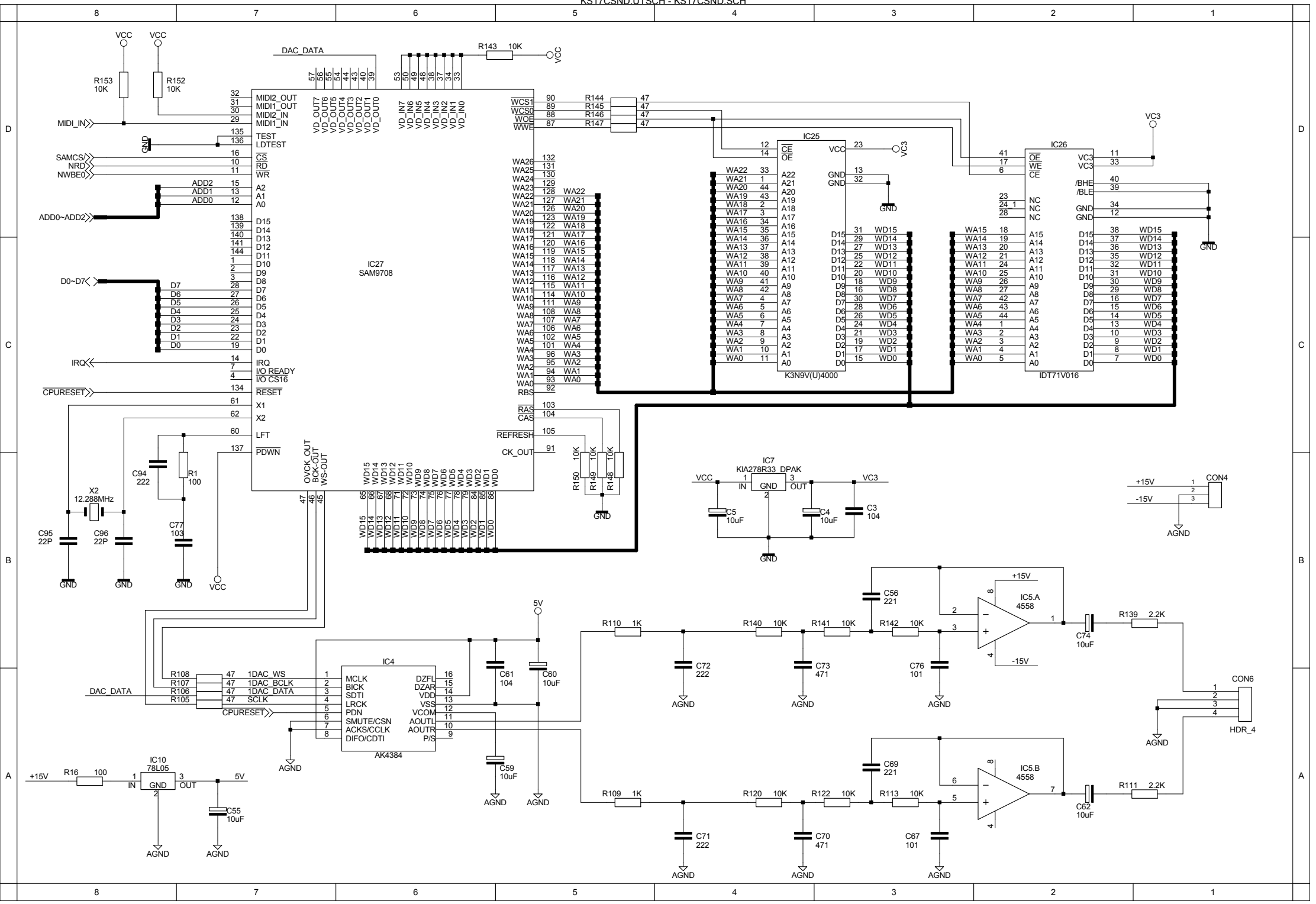


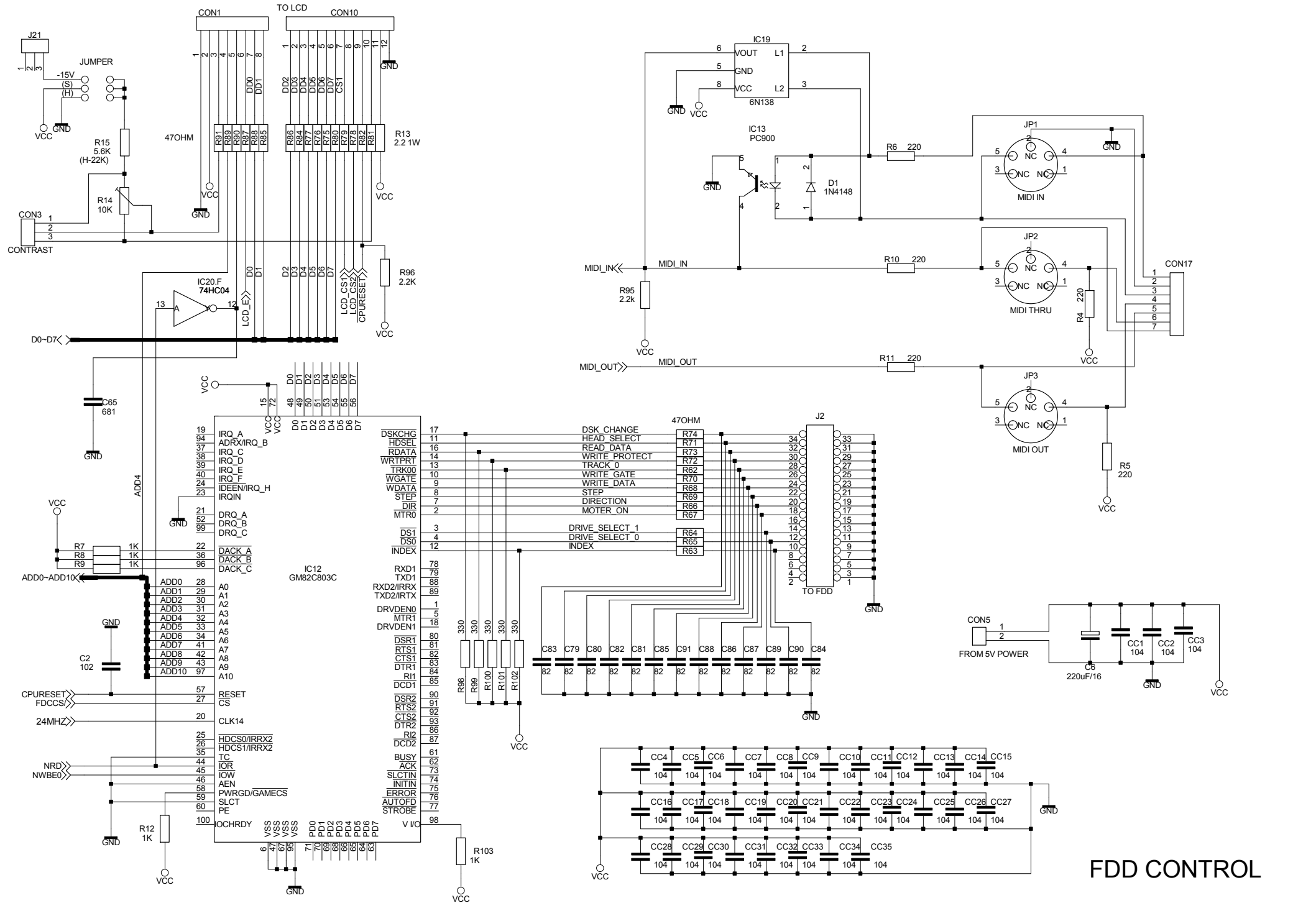
2. SCHEMATIC

- 2.1 CPU**
- 2.2 SOUND GENERATOR**
- 2.3 FDC**
- 2.4 I/O**
- 2.5 KEY**
- 2.6 CONSOLE LEFT**
- 2.7 CONSOLE RIGHT**
- 2.8 MIC & HEADPHONE**
- 2.9 POWER AMP**
- 2.10 PRE AMP**
- 2.11 KEYBOARD 1,2**
- 2.12 KEYBOARD 3,4**

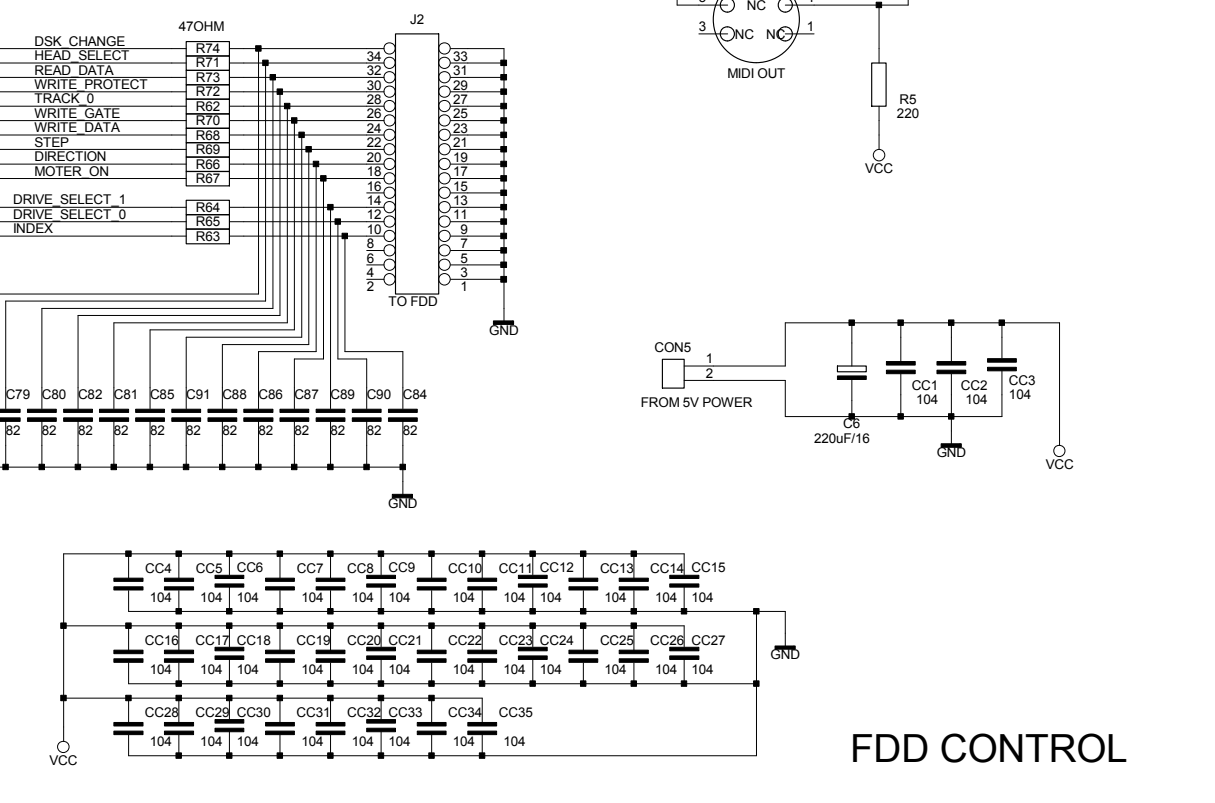
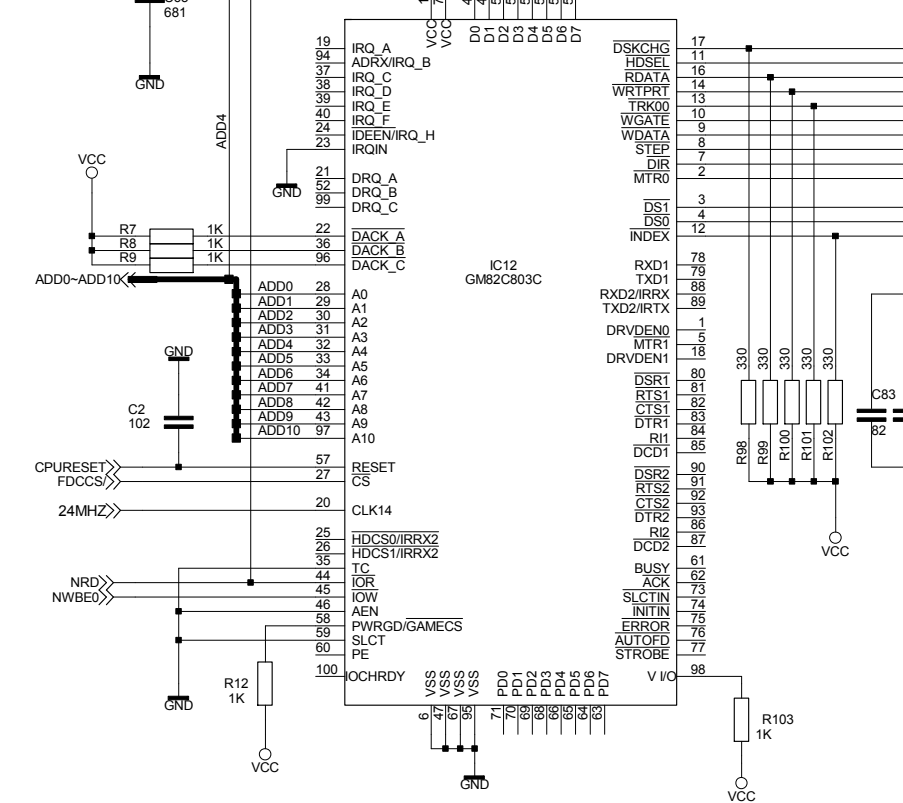
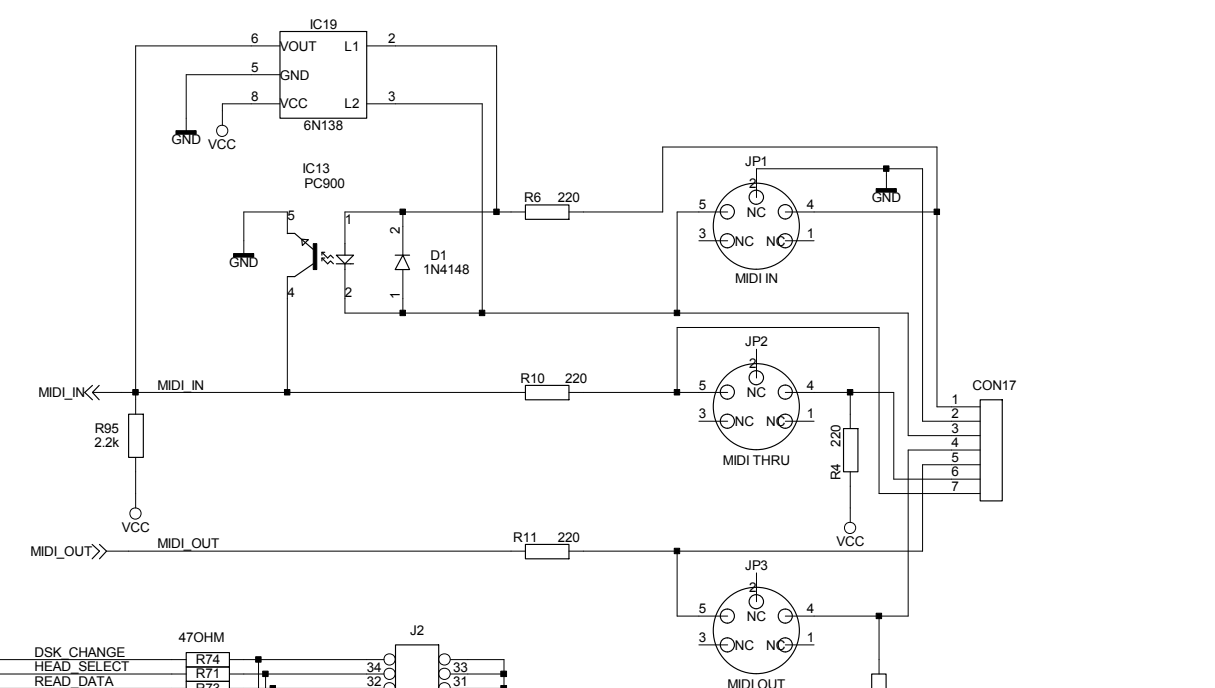
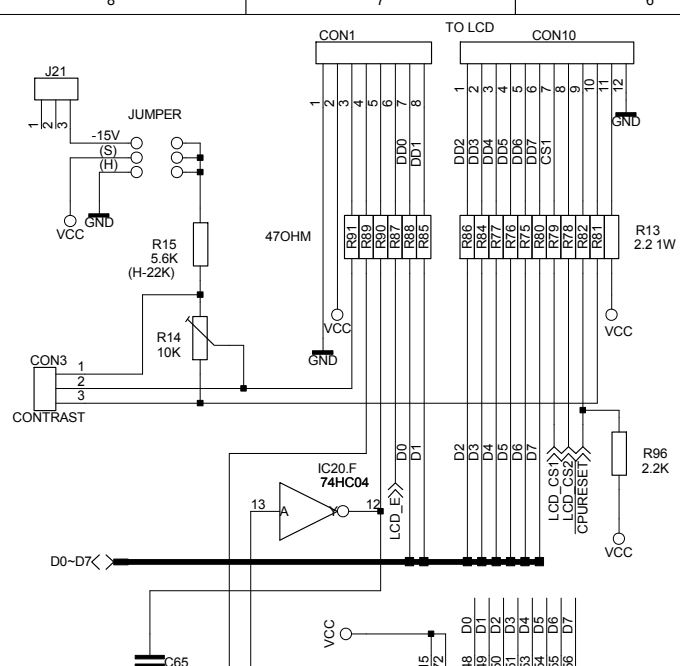


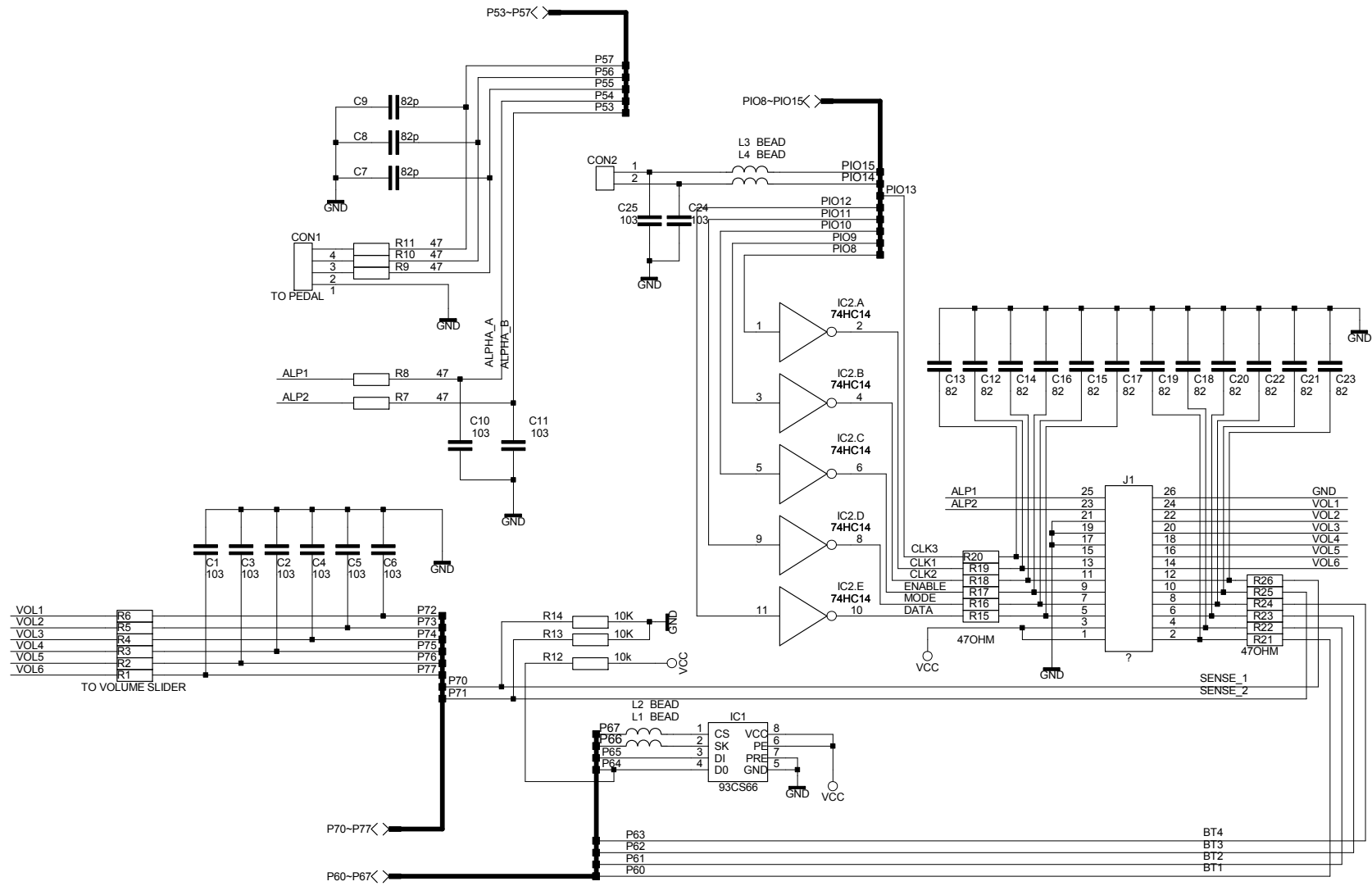
CPU(KC17C400)



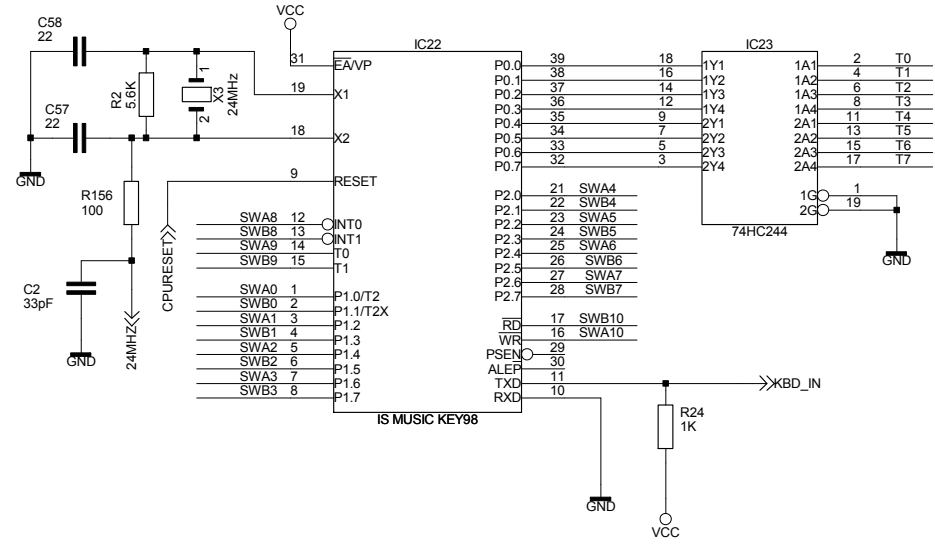
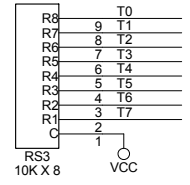
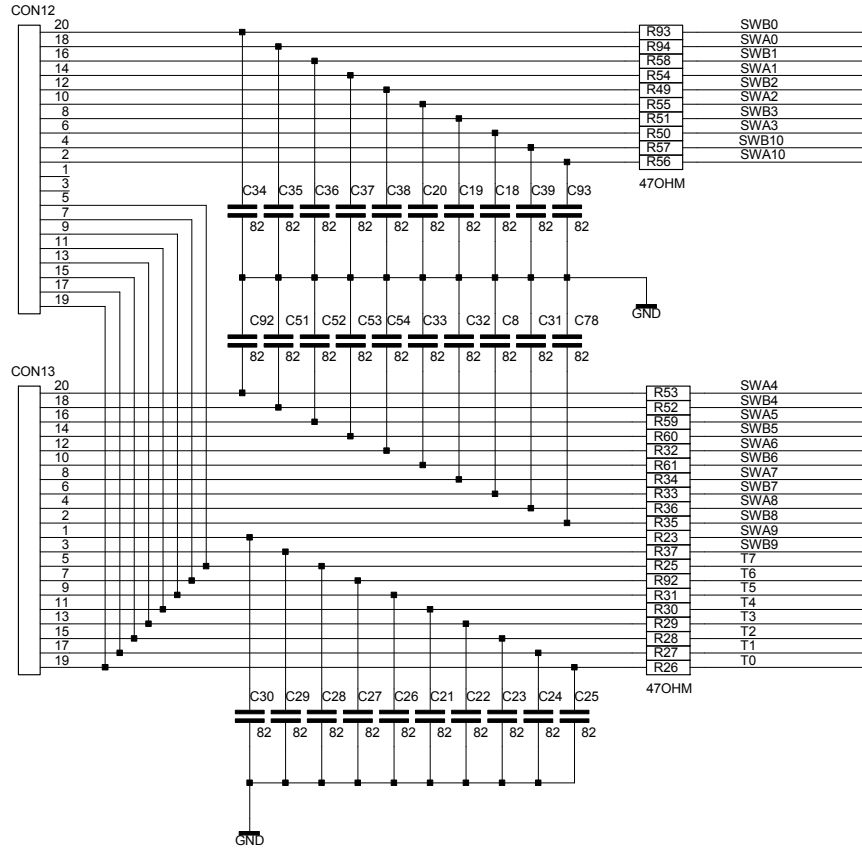


FDD CONTROL

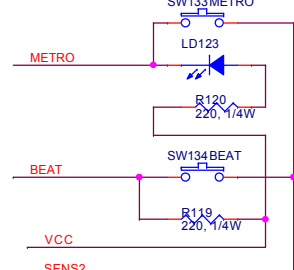
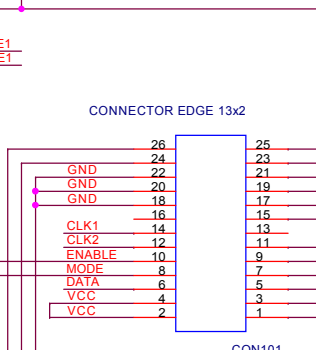
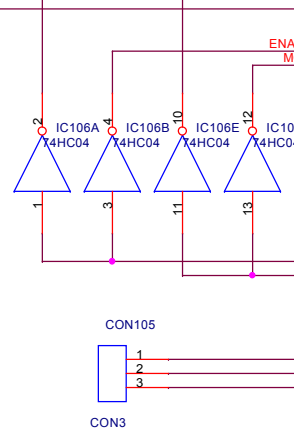
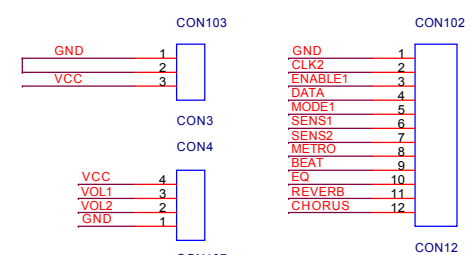
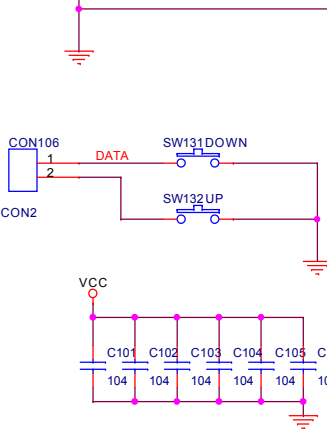
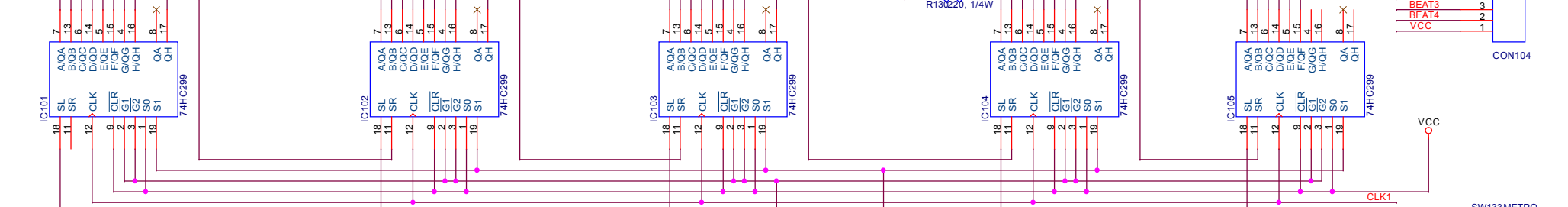
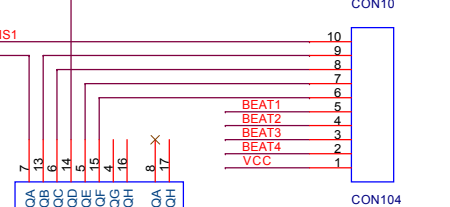
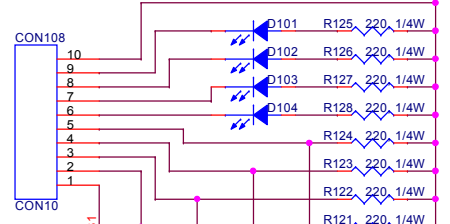
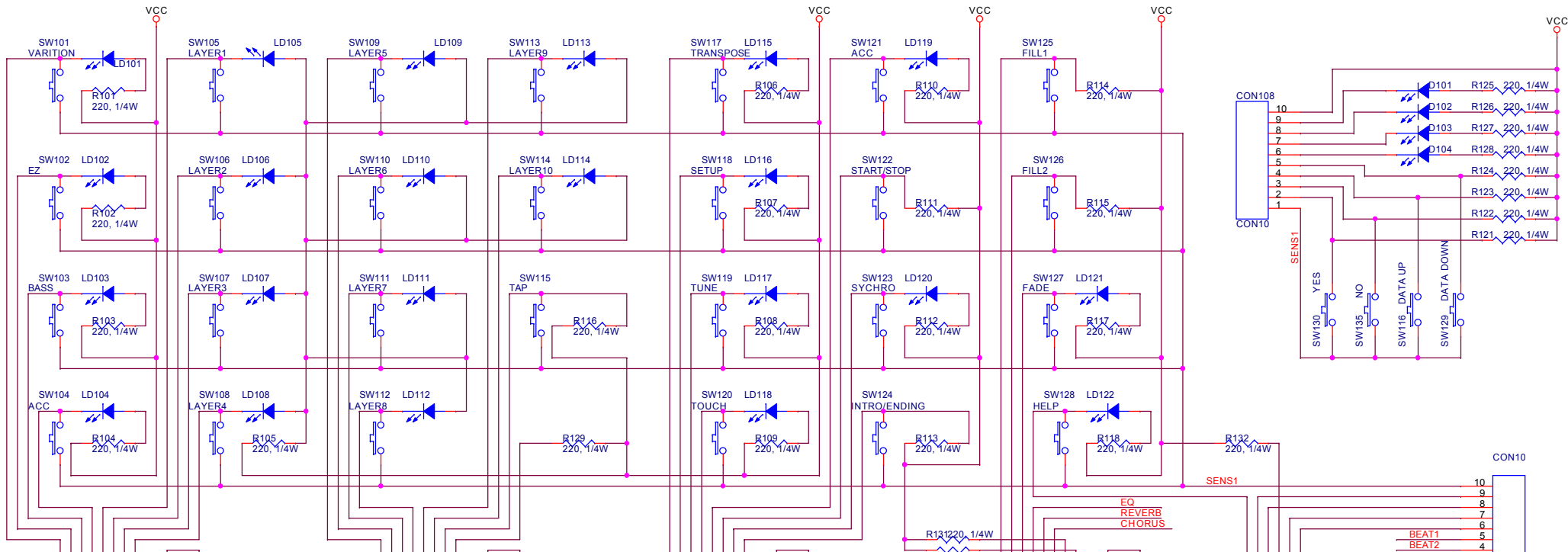




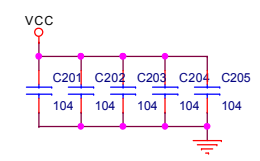
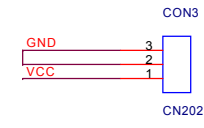
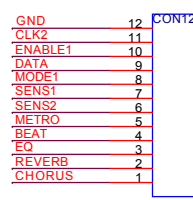
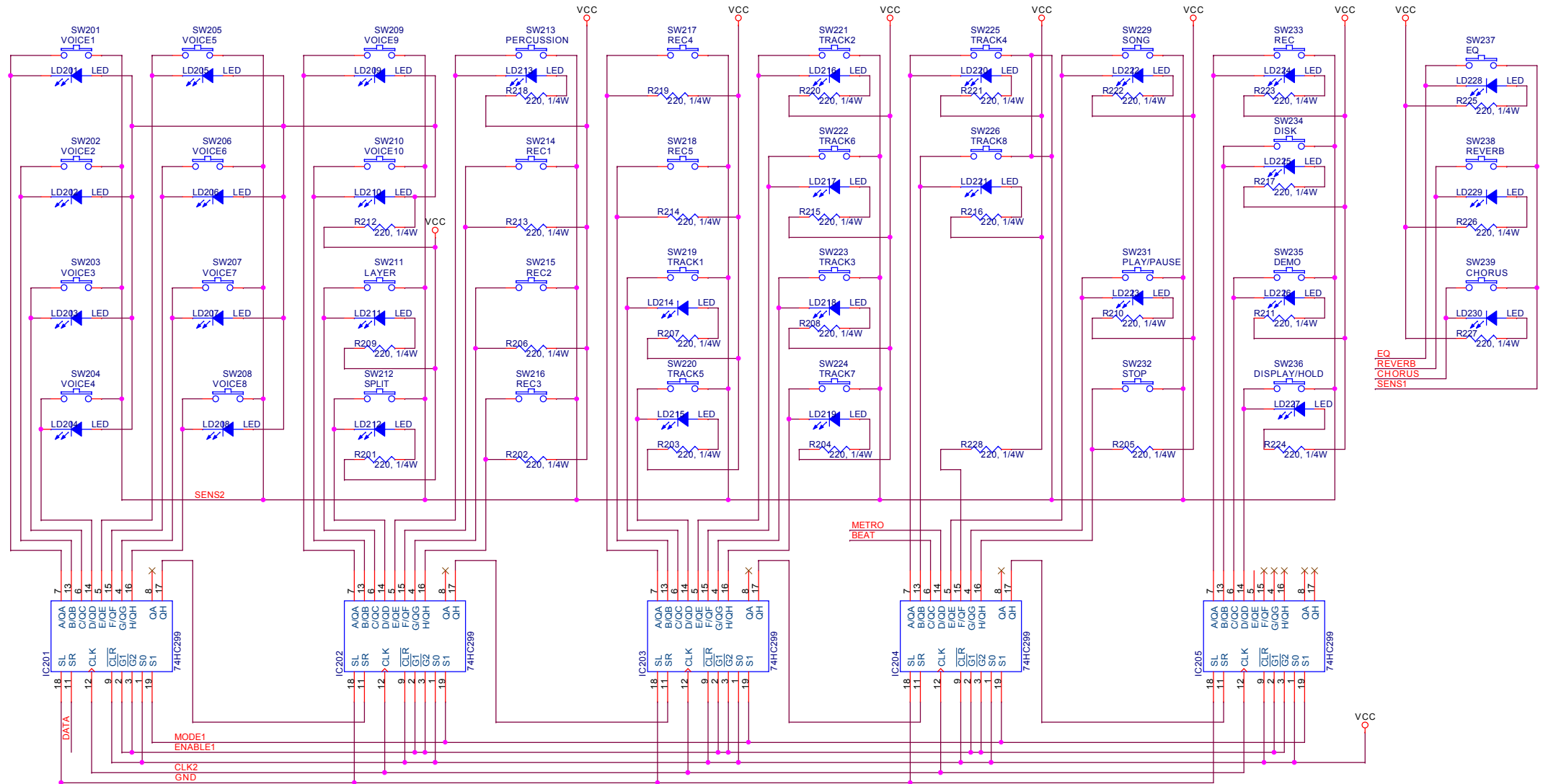
I/O



KEYBOARD

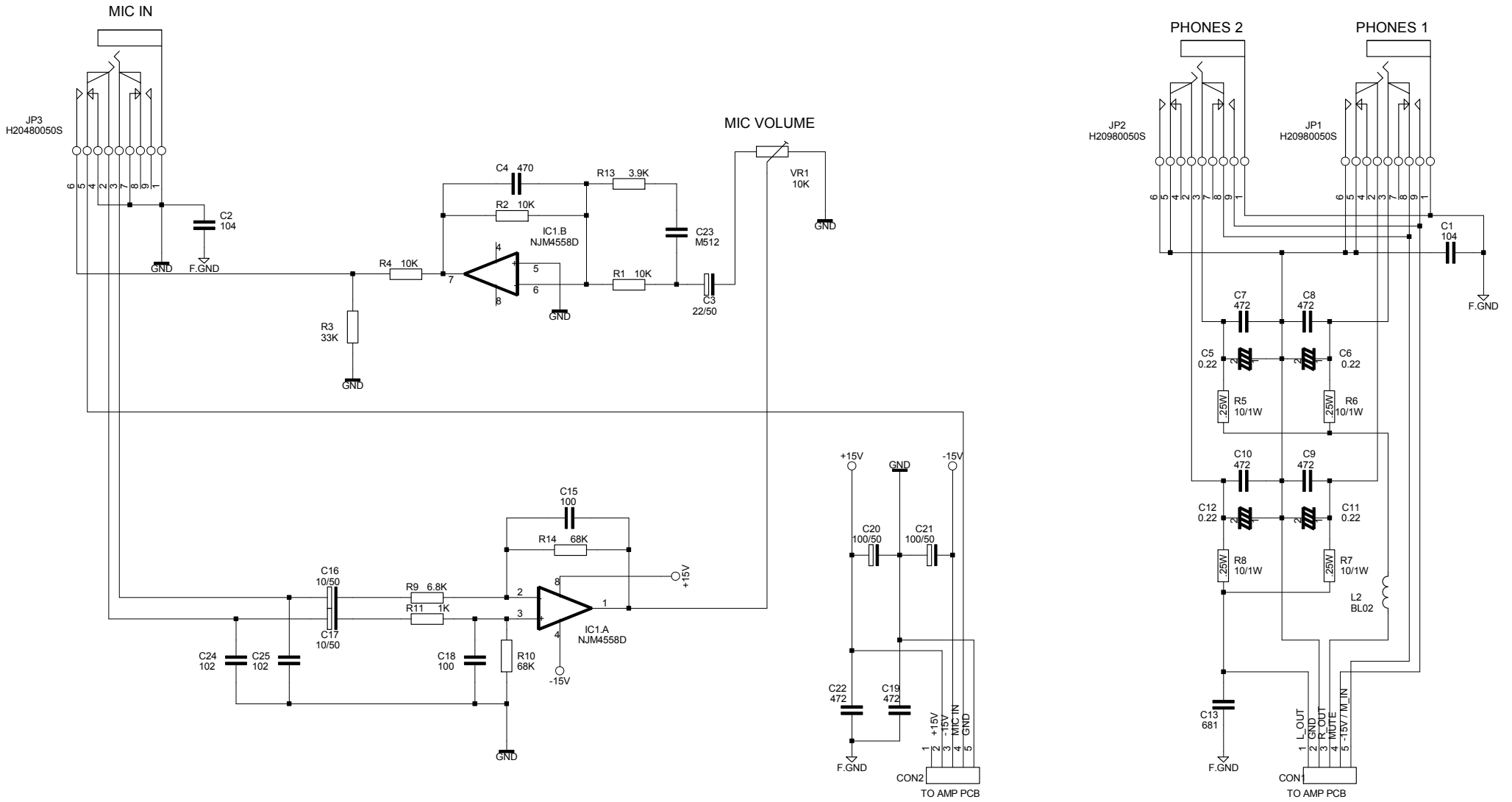


| | | |
|------------|--------------------------|--------------|
| Title | | <Title> |
| Size | Document Number | Rev |
| Custom:Doc | | <RevC> |
| Date: | Wednesday, July 13, 2005 | Sheet 1 of 1 |

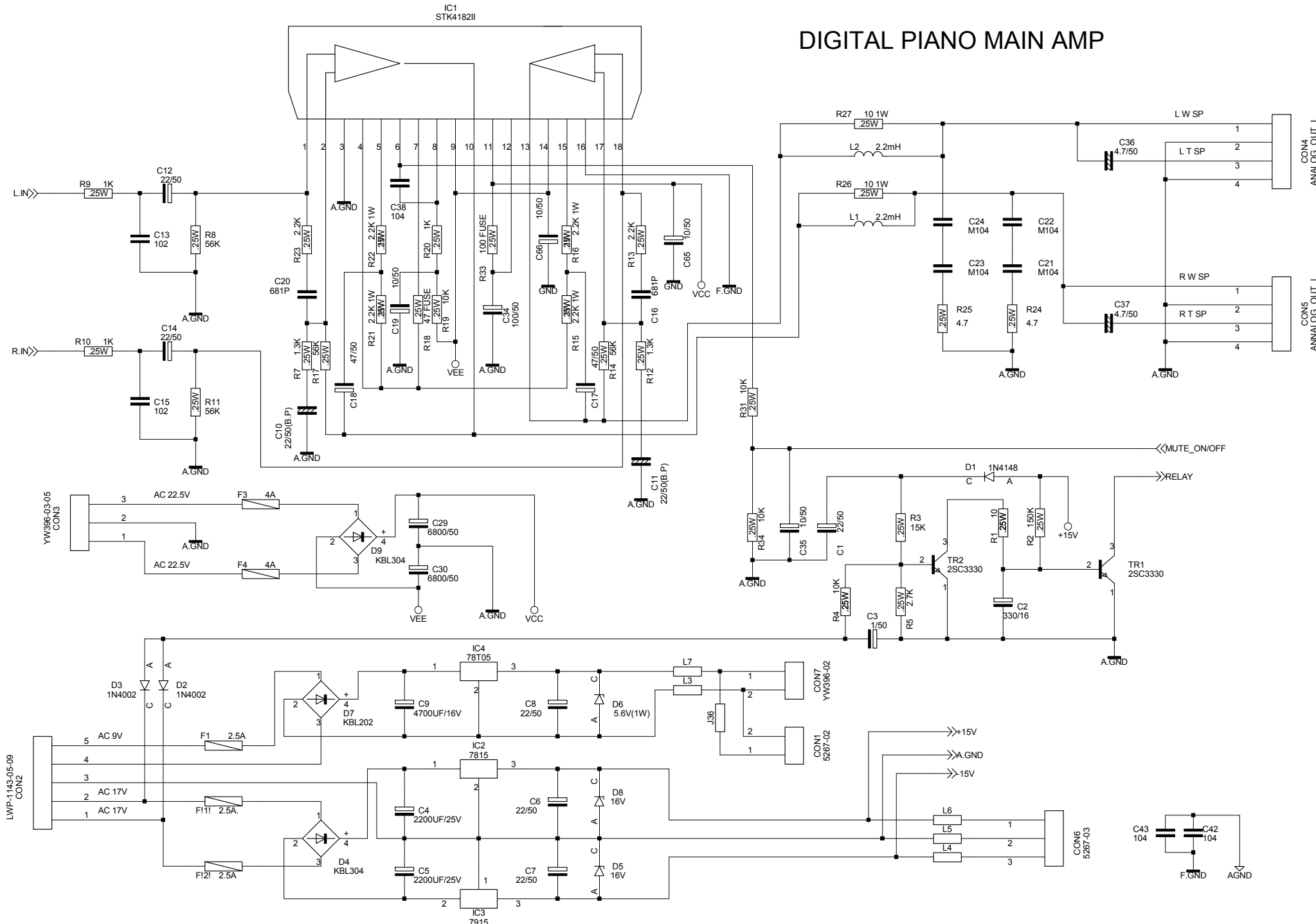


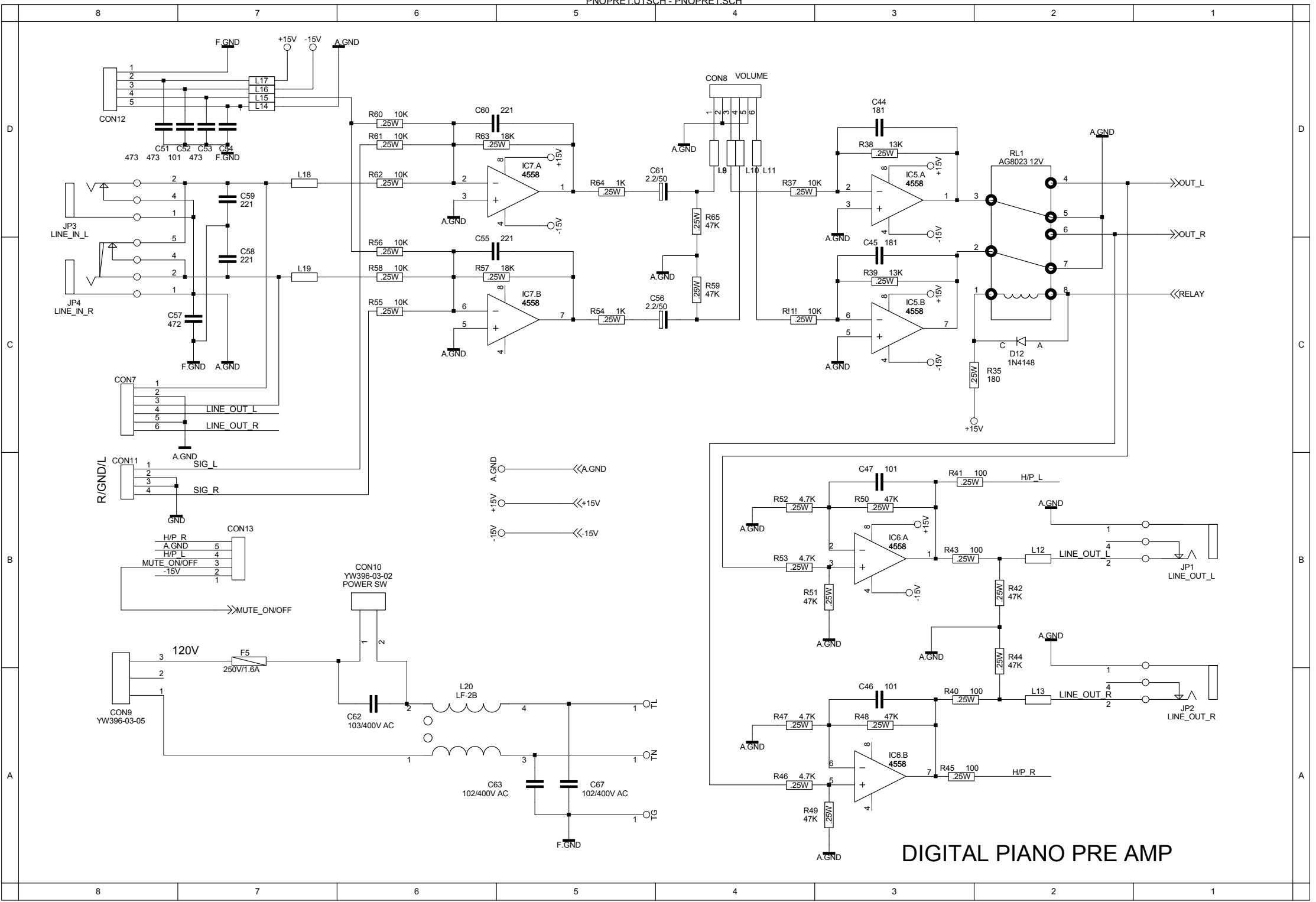
| | | |
|---------|------------------------|--------------|
| Title | | |
| <Title> | | |
| Size | Document Number | Rev |
| Custom | Doc | <Rev> |
| Date: | Monday, March 21, 2005 | Sheet 1 of 1 |

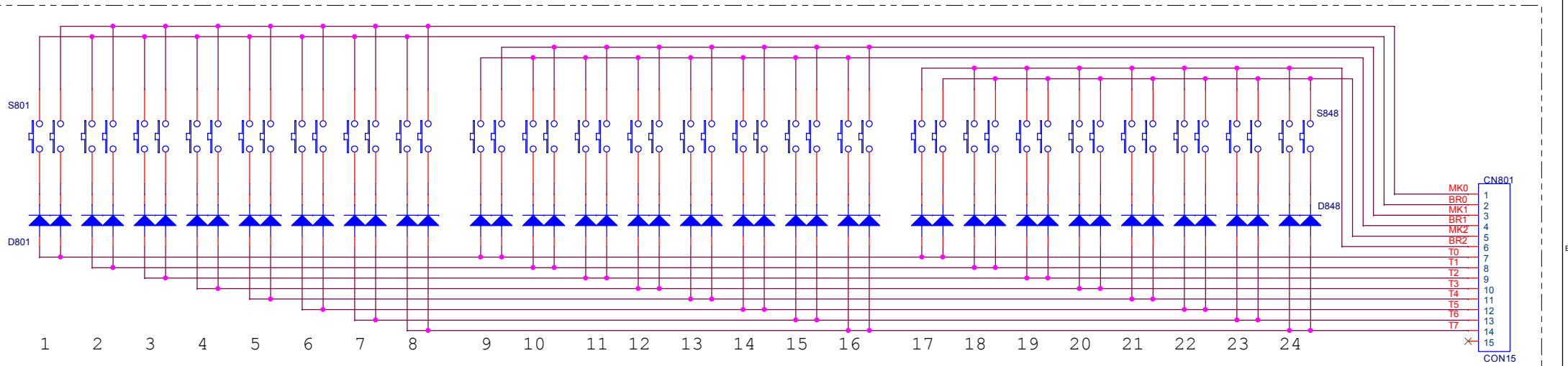
MIC & HEAD PHONE PCB OF D/P



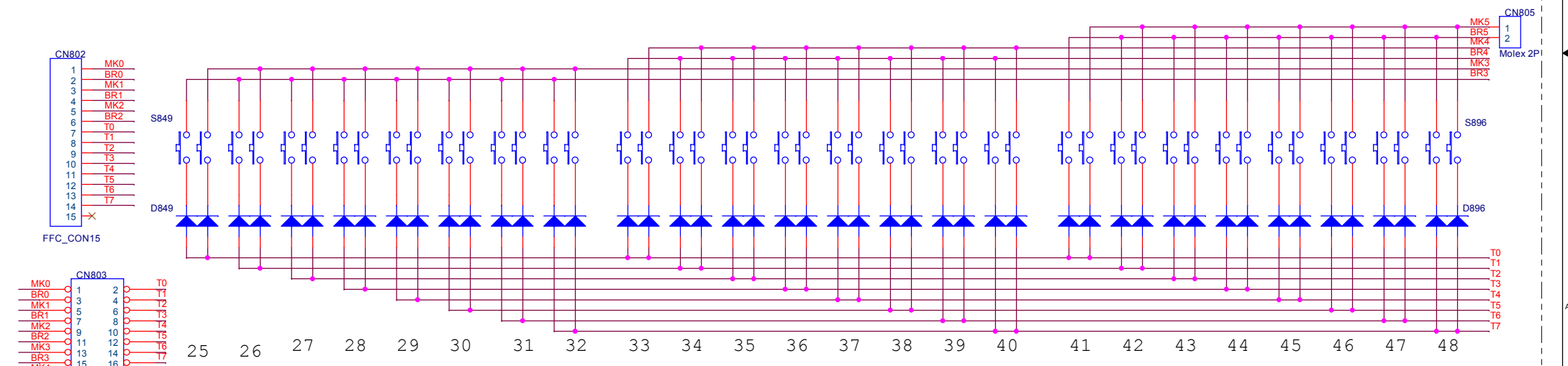
DIGITAL PIANO MAIN AMP





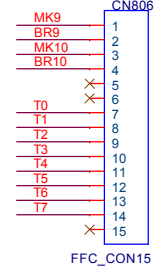
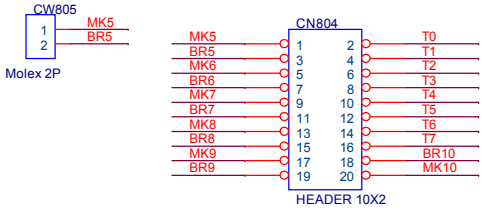
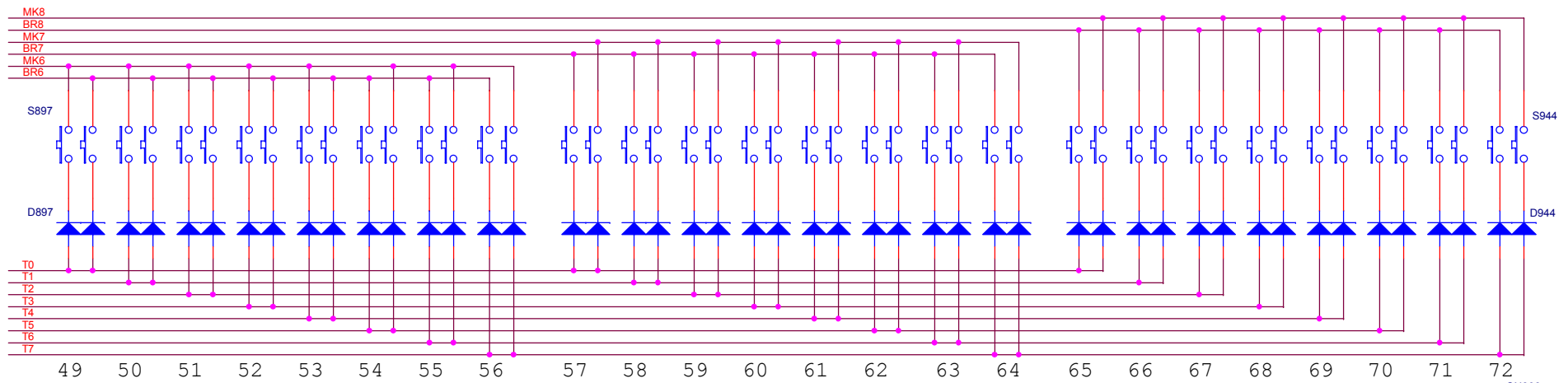


DPK01-1, (KEY1) 11896008



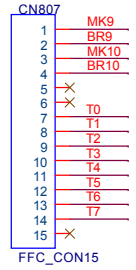
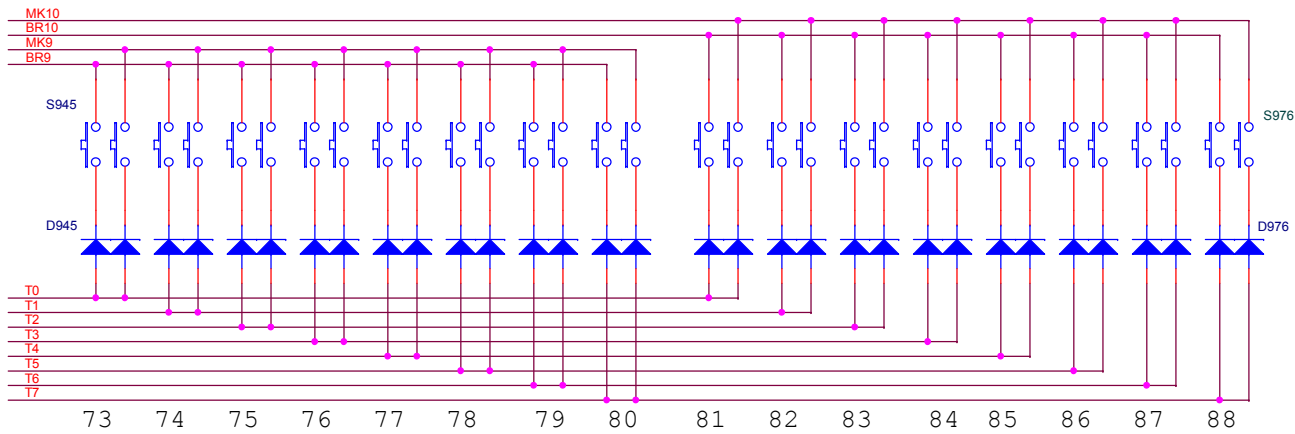
DPK01-2, (KEY2) 11896008

| | | |
|------------------|----------------------------|--------------|
| Title | | |
| KEY88DP01(1,2) | | |
| Size | Document Number | Rev |
| B | | A |
| Date: | Tuesday, November 05, 2002 | Sheet 2 of 1 |



DPK02-1 , (KEY3)

11896009



DPK02-2 , (KEY4)

11896009

| | | |
|------------------|----------------------------|--------------|
| Title | | |
| KEY88DP01(3,4) | | |
| Size | Document Number | Rev |
| B | | A |
| Date: | Tuesday, November 05, 2002 | Sheet 2 of 2 |

3. PCB LAYOUT

3.1 MAIN BOARD

3.2 SOUND BOARD

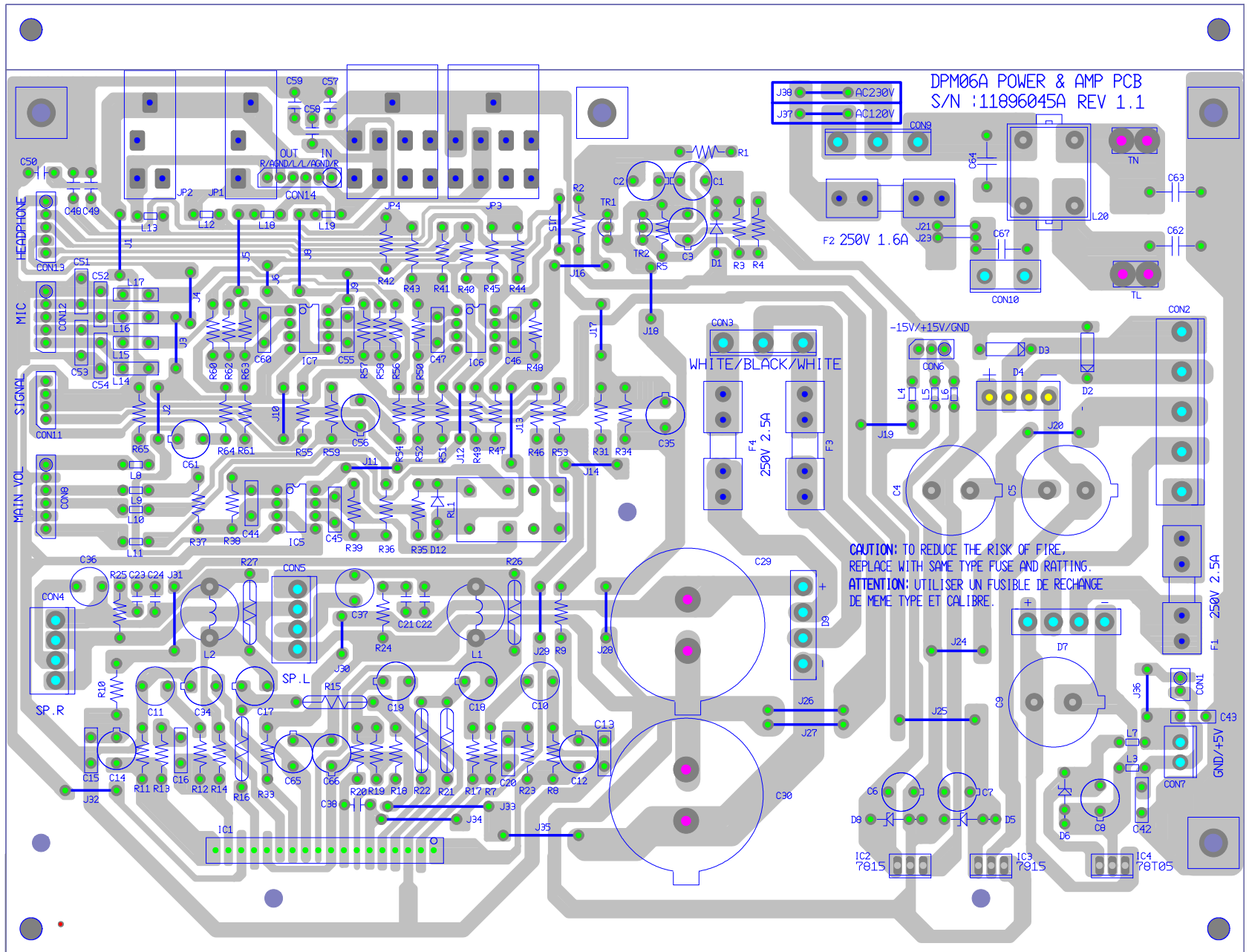
3.3 CONSOLE BOARD

3.4 KEY BOARD

3.5 JACK BOARD

3.6 MIC & HEADPHONE BOARD

3.7 PEDAL



DPM06A POWER & AMP PCB
S/N :11896045A REV 1.1

J38 AC230V
J37 AC120V

F2 250V 1.6A

WHITE/BLACK/WHITE

F4
250V 2.5A

CAUTION: TO REDUCE THE RISK OF FIRE,
REPLACE WITH SAME TYPE FUSE AND RATING.
ATTENTION: UTILISER UN FUSIBLE DE RECHANGE
DE MEME TYPE ET CALIBRE.

F1 250V 2.5A

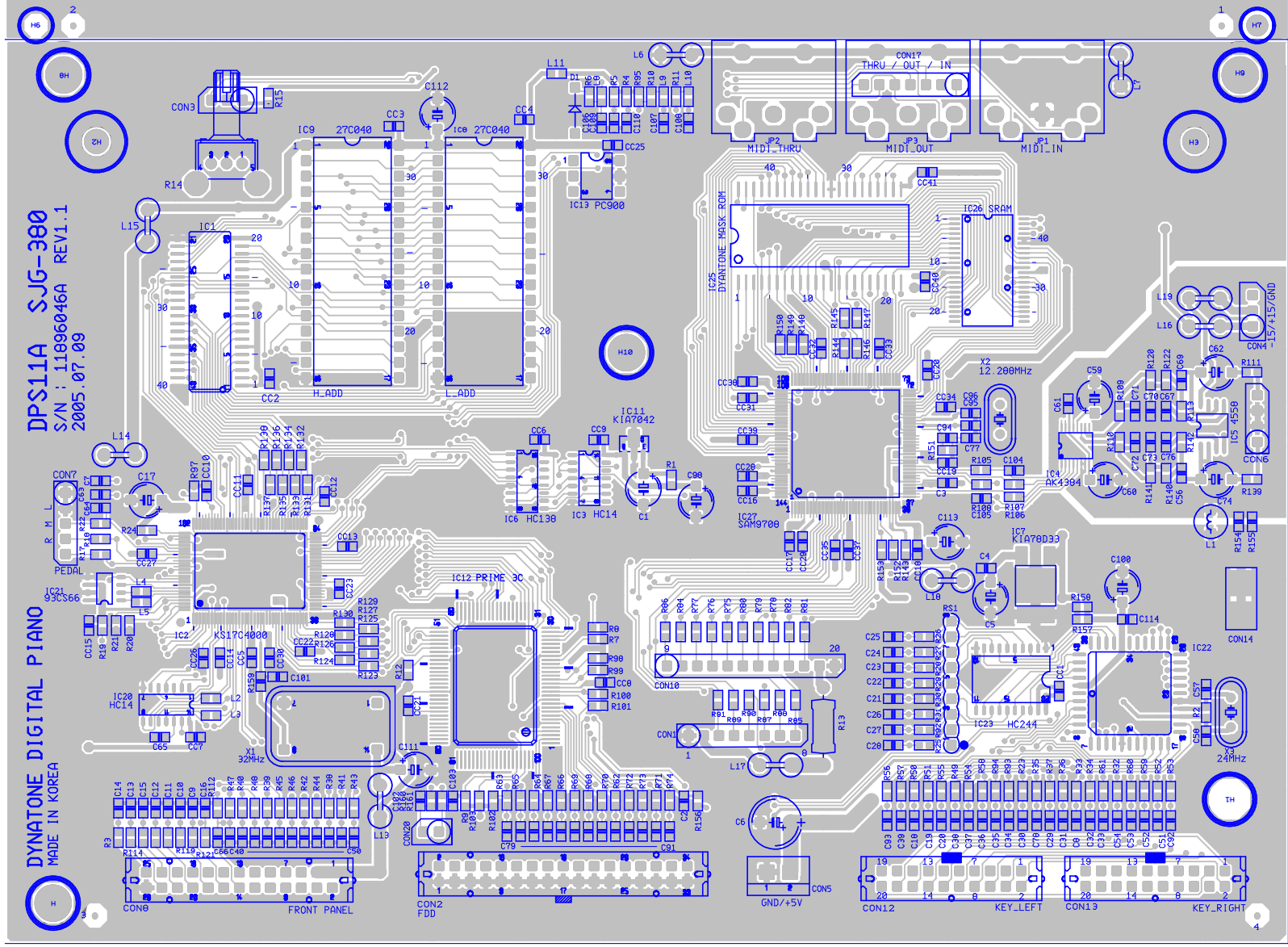
IC2 7815

IC3 7915

IC4 78T05

DYNATONE DIGITAL PIANO
MADE IN KOREA

DPS11A SJG-380
S/N : 11896046A REV1.1
2005.07.09



H

R M L

PEDAL

CON7

CON3

8H

ZH

2

H6

H7

1

CON5

GND/+5V

CON12

KEY_LEFT

CON13

KEY_RIGHT

CON14

CON4

CON6

CON5

CON6

CON7

CON8

CON9

CON10

CON11

CON12

CON13

CON14

CON15

CON16

CON17

CON18

CON19

CON20

CON21

CON22

CON23

CON24

CON25

CON26

CON27

CON28

CON29

CON30

CON31

CON32

CON33

CON34

CON35

CON36

CON37

CON38

CON39

CON40

CON41

CON42

CON43

CON44

CON45

CON46

CON47

CON48

CON49

CON50

CON51

CON52

CON53

CON54

CON55

CON56

CON57

CON58

CON59

CON60

CON61

CON62

CON63

CON64

CON65

CON66

CON67

CON68

CON69

CON70

CON71

CON72

CON73

CON74

CON75

CON76

CON77

CON78

CON79

CON80

CON81

CON82

CON83

CON84

CON85

CON86

CON87

CON88

CON89

CON90

CON91

CON92

CON93

CON94

CON95

CON96

CON97

CON98

CON99

CON100

CON101

CON102

CON103

CON104

CON105

CON106

CON107

CON108

CON109

CON110

CON111

CON112

CON113

CON114

CON115

CON116

CON117

CON118

CON119

CON120

CON121

CON122

CON123

CON124

CON125

CON126

CON127

CON128

CON129

CON130

CON131

CON132

CON133

CON134

CON135

CON136

CON137

CON138

CON139

CON140

CON141

CON142

CON143

CON144

CON145

CON146

CON147

CON148

CON149

CON150

CON151

CON152

CON153

CON154

CON155

CON156

CON157

CON158

CON159

CON160

CON161

CON162

CON163

CON164

CON165

CON166

CON167

CON168

CON169

CON170

CON171

CON172

CON173

CON174

CON175

CON176

CON177

CON178

CON179

CON180

CON181

CON182

CON183

CON184

CON185

CON186

CON187

CON188

CON189

CON190

CON191

CON192

CON193

CON194

CON195

CON196

CON197

CON198

CON199

CON200

CON201

CON202

CON203

CON204

CON205

CON206

CON207

CON208

CON209

CON210

CON211

CON212

CON213

CON214

CON215

CON216

CON217

CON218

CON219

CON220

CON221

CON222

CON223

CON224

CON225

CON226

CON227

CON228

CON229

CON230

CON231

CON232

CON233

CON234

CON235

CON236

CON237

CON238

CON239

CON240

CON241

CON242

CON243

CON244

CON245

CON246

CON247

CON248

CON249

CON250

CON251

CON252

CON253

CON254

CON255

CON256

CON257

CON258

CON259

CON260

CON261

CON262

CON263

CON264

CON265

CON266

CON267

CON268

CON269

CON270

CON271

CON272

CON273

CON274

CON275

CON276

CON277

CON278

CON279

CON280

CON281

CON282

CON283

CON284

CON285

CON286

CON287

CON288

CON289

CON290

CON291

CON292

CON293

CON294

CON295

CON296

CON297

CON298

CON299

CON300

CON301

CON302

CON303

CON304

CON305

CON306

CON307

CON308

CON309

CON310

CON311

CON312

CON313

CON314

CON315

CON316

CON317

CON318

CON319

CON320

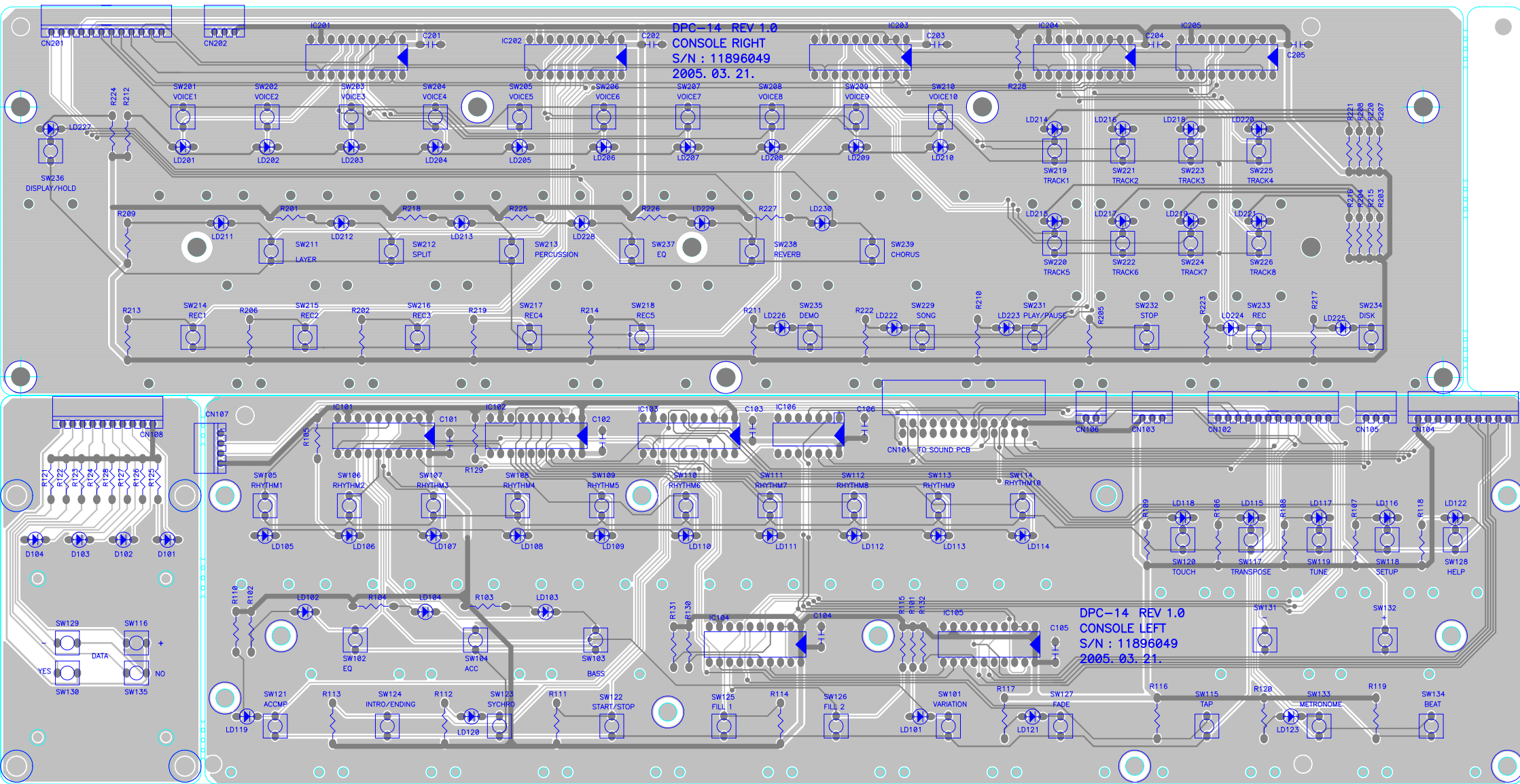
CON321

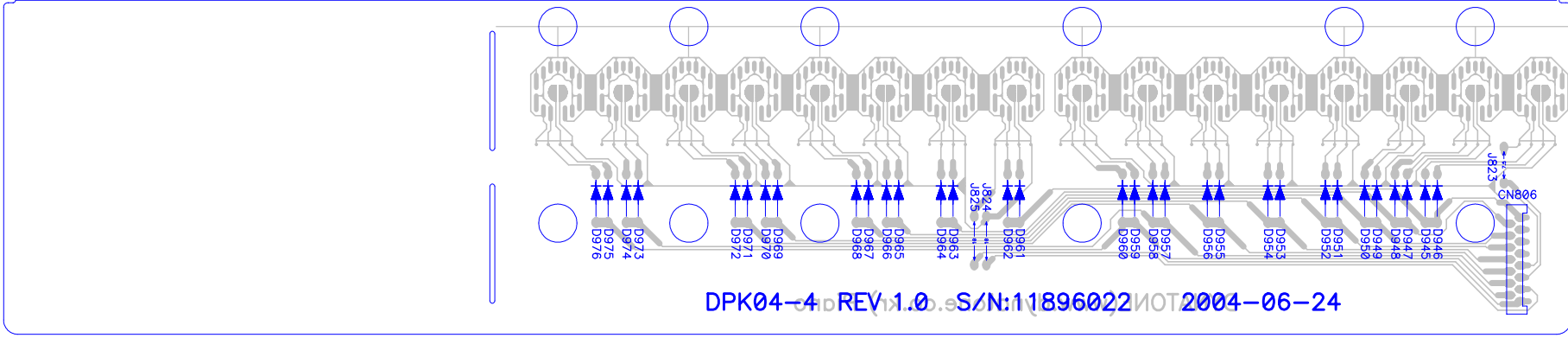
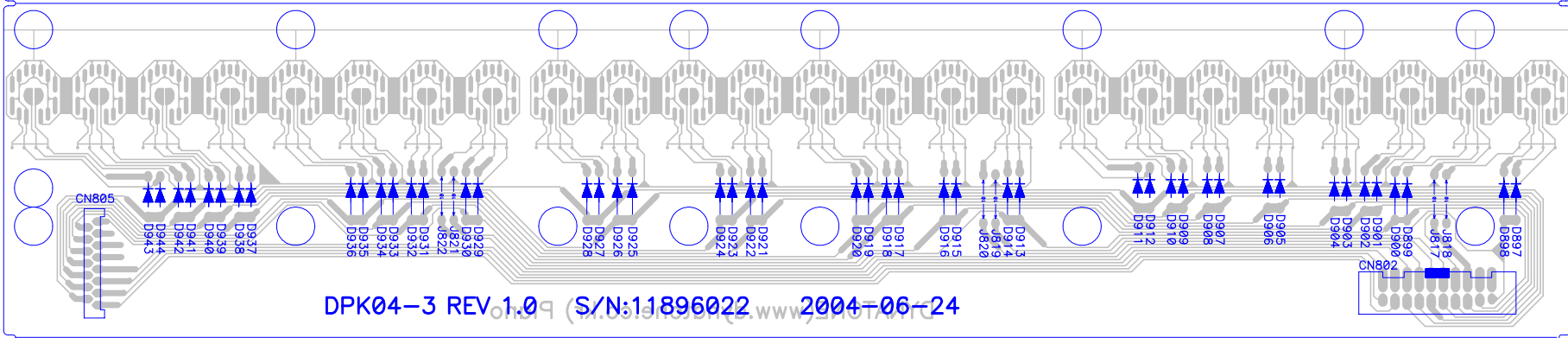
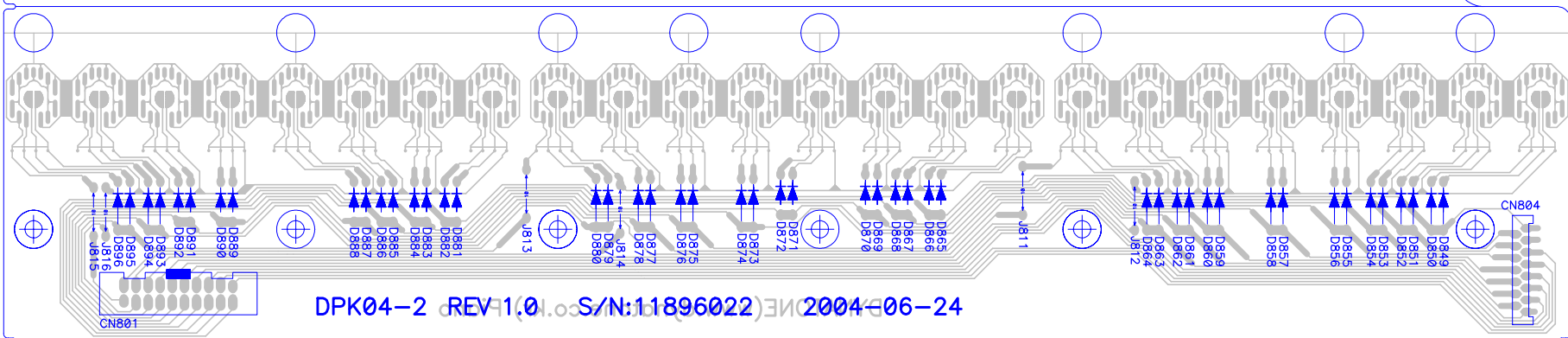
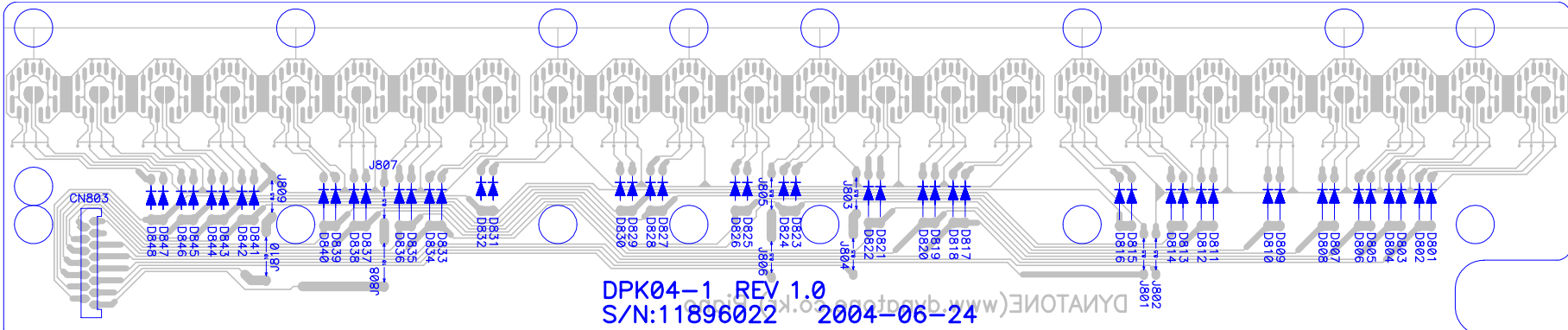
CON322

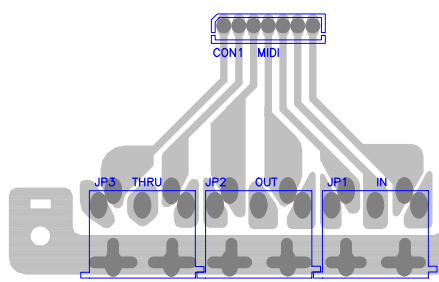
CON323

CON324

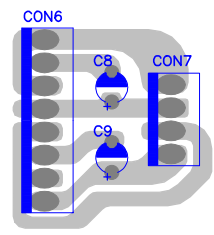
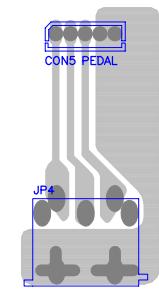
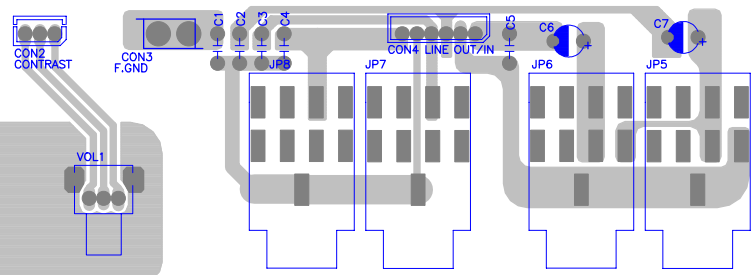
CON



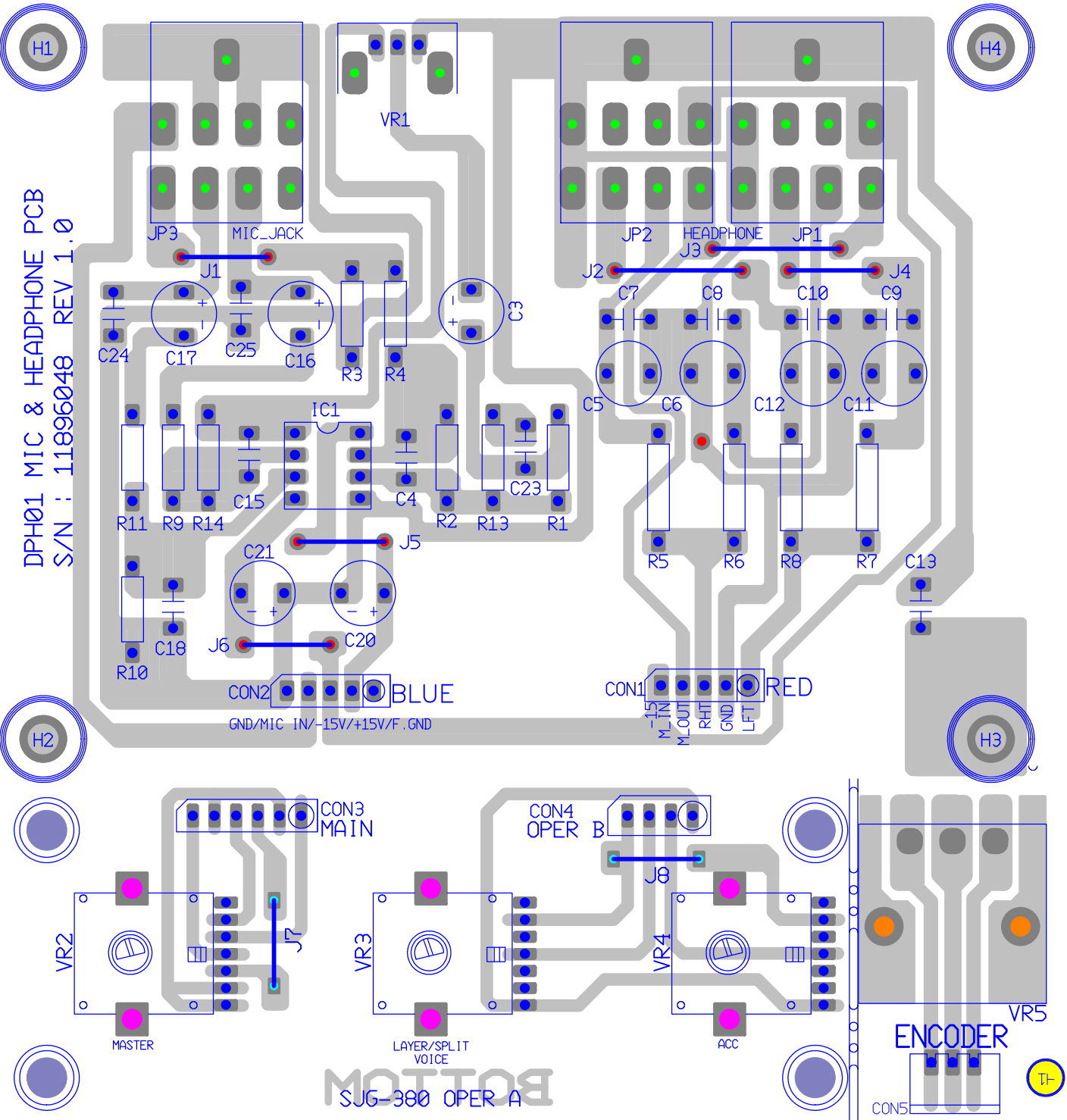


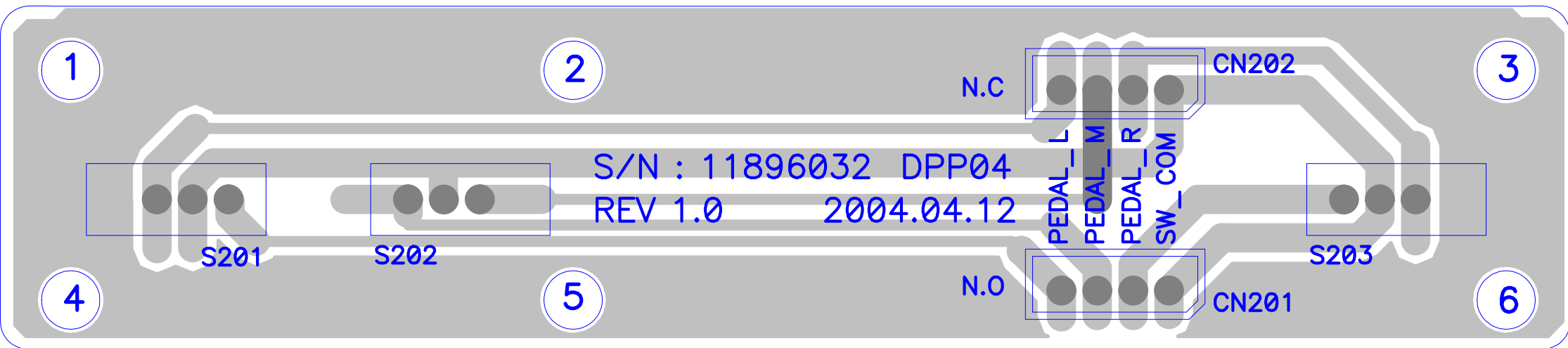


SJG-380 JACK PCB
DPJ02 S/N:11896047
Rev 1.0 2005-03-23



DPH01 MIC & HEADPHONE PCB
S/N : 11895048 REV 1.0





4. REPLACEMENT PARTS LIST

| MAIN BOARD | | | | |
|------------|------------|-------------------------------------|---|------|
| C29 | 12086044C | CHEMICAL CONDENSER, 50V/6800MF | P | 1.00 |
| C30 | 12086044C | CHEMICAL CONDENSER, 50V/6800MF | P | 1.00 |
| C4 | 12795222T | CHEMICON, 25V 2200MF 85C 16*25 | P | 1.00 |
| C5 | 12795222T | CHEMICON, 25V 2200MF 85C 16*25 | P | 1.00 |
| C62 | 12094474 | CERAMIC CAP, AC400V 102 | P | 1.00 |
| C63 | 12094474 | CERAMIC CAP, AC400V 102 | P | 1.00 |
| C64 | 12094171A | CERAMIC CAP, AC400V DA17ZF103ZCW | P | 1.00 |
| C67 | 12094474 | CERAMIC CAP, AC400V 102 | P | 1.00 |
| C9 | 12634472EC | CHEMICAL CONDENSER,25V 4700MF 16*36 | P | 1.00 |
| CON1 | 11164121 | PLUG, 2P 5267-02AX (LWB 0640-02) | P | 1.00 |
| CON10 | 11164656 | PLUG, YW396-02-03 | P | 1.00 |
| CON11 | 11164123 | PLUG, 4P 5267-04AX | P | 1.00 |
| CON12 | 11164124 | PLUG, 5P 5267-05AX (LWB 0640-05) | P | 1.00 |
| CON13 | 11164124 | PLUG, 5P 5267-05AX (LWB 0640-05) | P | 1.00 |
| CON14 | 11164125 | PLUG, 6P 5267-06AX (LWB 0640-06) | P | 1.00 |
| CON2 | 11164690 | PLUG, LWP-1143-05-09 | P | 1.00 |
| CON3 | 11164657 | PLUG, YW396-03-05 | P | 1.00 |
| CON4 | 11164702 | CONNECTOR, 4PIN,3.96MM(FW1143-04) | P | 1.00 |
| CON5 | 11164702 | CONNECTOR, 4PIN,3.96MM(FW1143-04) | P | 1.00 |
| CON6 | 11164122 | PLUG, 3P 5267-03AX | P | 1.00 |
| CON7 | 11164655 | PLUG, YW396-02 | P | 1.00 |
| CON8 | 11164125 | PLUG, 6P 5267-06AX (LWB 0640-06) | P | 1.00 |
| CON9 | 11164657 | PLUG, YW396-03-05 | P | 1.00 |
| D4 | 11115547 | DIODE, BRIDGE 2.0A KBL202 | P | 1.00 |
| D7 | 11115548 | DIODE, BRIDGE 4.0A KBL304 | P | 1.00 |
| D9 | 11115548 | DIODE, BRIDGE 4.0A KBL304 | P | 1.00 |
| F1A | 11144193 | FUSE, 250V 2.5A 5*20MM UL | P | 1.00 |
| F2A | 11144194 | FUSE, 250V 1.6A 5*20MM UL | P | 1.00 |
| F3A | 11144193 | FUSE, 250V 2.5A 5*20MM UL | P | 1.00 |
| F4A | 11144193 | FUSE, 250V 2.5A 5*20MM UL | P | 1.00 |
| I201J | 11774308 | SCREW, PB 3*0.5*8 SBN | P | 2.00 |
| I201Z | 150520045 | HEAT SINK, ASS'Y KIA7805P,STK4182II | P | 1.00 |
| I201A | 11865906 | HEAT SINK, 380 | P | 1.00 |
| I201B | 11971010 | COMPOUND SILICON, YG6260 | G | 0.05 |
| I201E | 11052015 | WASHER, 8*0.8T | P | 5.00 |
| I201F | 11774308 | SCREW, PB 3*0.5*8 SBN | P | 3.00 |
| I201G | 11774316 | SCREW, PB 3*0.5*16 SBN | P | 2.00 |
| IC1 | 11118270 | IC,STK4182II AUDIO(45W+45W)SANYO | P | 1.00 |
| IC2 | 11119284 | IC, REGU. 1[A] KIA7815API | P | 1.00 |
| IC3 | 11119285 | IC, REGU. 1[A] KIA7915PI | P | 1.00 |
| IC4 | 11119282 | IC, REGU. 1[A] KIA7805PI(7805API) | P | 1.00 |
| IC5 | 11119187 | IC, DUAL OP AMP KIA75558P(KIA4558P) | P | 1.00 |
| IC6 | 11119187 | IC, DUAL OP AMP KIA75558P(KIA4558P) | P | 1.00 |
| IC7 | 11119187 | IC, DUAL OP AMP KIA75558P(KIA4558P) | P | 1.00 |
| L1 | 11251057 | SPRING COIL, 0.8 0.7MH 15MM | P | 1.00 |
| L2 | 11251057 | SPRING COIL, 0.8 0.7MH 15MM | P | 1.00 |
| L20 | 11211035 | COIL CHOKE RF, PLAC1522ROR01B1 | P | 1.00 |
| N110 | 11961025 | SOLDER WIRE, 63SN 3.0MM | G | 6.00 |
| N111 | 11961024 | SOLDER WIRE, ENERGIZED 63SN 1.6MM | G | 1.50 |
| N112 | 11961020 | FLUX, JS-64T-3 | G | 3.00 |
| N113 | 11964033 | SOLVENT, IPA4520 | G | 7.00 |
| R15 | 12322332S | OXIDE RESISTOR, B 1W 3.3K OHM J | P | 1.00 |
| R16 | 12322332S | OXIDE RESISTOR, B 1W 3.3K OHM J | P | 1.00 |
| R21 | 12322332S | OXIDE RESISTOR, B 1W 3.3K OHM J | P | 1.00 |
| R22 | 12322332S | OXIDE RESISTOR, B 1W 3.3K OHM J | P | 1.00 |
| R26 | 12322100S | OXIDE RESISTOR, B 1W 10 OHM J | P | 1.00 |
| R27 | 12322100S | OXIDE RESISTOR, B 1W 10 OHM J | P | 1.00 |
| RL1 | 11145280 | RELAY, CY-12V | P | 1.00 |

| | | | | |
|-------|------------|-----------------------------------|---|------|
| TL | 11165054 | TERMINAL, GP-881191 | P | 1.00 |
| TN | 11165054 | TERMINAL, GP-881191 | P | 1.00 |
| A001U | 150190775 | MAIN, AUTO POWER & AMP SJG-380 | P | 1.00 |
| C1 | 12797220T | CHEMICON, 50V 22MF 85C 5*11 | P | 1.00 |
| C10 | 12085044T | CHEMICON, 50V 22MF(BP) | P | 1.00 |
| C11 | 12085044T | CHEMICON, 50V 22MF(BP) | P | 1.00 |
| C12 | 12797220T | CHEMICON, 50V 22MF 85C 5*11 | P | 1.00 |
| C13 | 12212471T | CERAMIC CAPACITOR, B 50V 470PF K | P | 1.00 |
| C14 | 12797220T | CHEMICON, 50V 22MF 85C 5*11 | P | 1.00 |
| C15 | 12212471T | CERAMIC CAPACITOR, B 50V 470PF K | P | 1.00 |
| C16 | 12212681T | CERAMIC CAPACITOR, B 50V 680PF K | P | 1.00 |
| C17 | 12797470T | CHEMICON, 50V 47MF 85C 6.3*11 | P | 1.00 |
| C18 | 12797470T | CHEMICON, 50V 47MF 85C 6.3*11 | P | 1.00 |
| C19 | 12797100TC | CHEMICON, 50V 10MF 85C 5*11 | P | 1.00 |
| C2 | 12794331T | CHEMICON, 16V 330MF 85C 8*12 | P | 1.00 |
| C20 | 12212681T | CERAMIC CAPACITOR, B 50V 680PF K | P | 1.00 |
| C21 | 12692104T | PLASTIC CAPACITOR, M 50V 0.1MF J | P | 1.00 |
| C22 | 12692104T | PLASTIC CAPACITOR, M 50V 0.1MF J | P | 1.00 |
| C23 | 12692104T | PLASTIC CAPACITOR, M 50V 0.1MF J | P | 1.00 |
| C24 | 12692104T | PLASTIC CAPACITOR, M 50V 0.1MF J | P | 1.00 |
| C3 | 12636010T | CHEMICAL CONDENSER, 04W 50V 1MF | P | 1.00 |
| C34 | 12795101TC | CHEMICON, 25V 100MF 85C 6.3*11 | P | 1.00 |
| C35 | 12797100TC | CHEMICON, 50V 10MF 85C 5*11 | P | 1.00 |
| C36 | 12085045T | CHEMICON, 50V 6.8MF(BP) | P | 1.00 |
| C37 | 12085045T | CHEMICON, 50V 6.8MF(BP) | P | 1.00 |
| C38 | 12232104T | CERAMIC CAPACITOR, F 50V 0.1MF Z | P | 1.00 |
| C42 | 12232104T | CERAMIC CAPACITOR, F 50V 0.1MF Z | P | 1.00 |
| C43 | 12232104T | CERAMIC CAPACITOR, F 50V 0.1MF Z | P | 1.00 |
| C44 | 12212221T | CERAMIC CAPACITOR, B 50V 220PF K | P | 1.00 |
| C45 | 12212221T | CERAMIC CAPACITOR, B 50V 220PF K | P | 1.00 |
| C46 | 12436101T | CERAMIC CAPACITOR, SL 50V 100PF J | P | 1.00 |
| C47 | 12436101T | CERAMIC CAPACITOR, SL 50V 100PF J | P | 1.00 |
| C51 | 12212473T | CERAMIC CAPACITOR, B 50V 47NF J | P | 1.00 |
| C52 | 12212473T | CERAMIC CAPACITOR, B 50V 47NF J | P | 1.00 |
| C53 | 12436101T | CERAMIC CAPACITOR, SL 50V 100PF J | P | 1.00 |
| C54 | 12212473T | CERAMIC CAPACITOR, B 50V 47NF J | P | 1.00 |
| C55 | 12212681T | CERAMIC CAPACITOR, B 50V 680PF K | P | 1.00 |
| C56 | 12797479TC | CHEMICON, 50V 4.7MF 85C 5*11 | P | 1.00 |
| C6 | 12797220T | CHEMICON, 50V 22MF 85C 5*11 | P | 1.00 |
| C60 | 12212681T | CERAMIC CAPACITOR, B 50V 680PF K | P | 1.00 |
| C61 | 12797479TC | CHEMICON, 50V 4.7MF 85C 5*11 | P | 1.00 |
| C65 | 12797100TC | CHEMICON, 50V 10MF 85C 5*11 | P | 1.00 |
| C66 | 12797100TC | CHEMICON, 50V 10MF 85C 5*11 | P | 1.00 |
| C7 | 12797220T | CHEMICON, 50V 22MF 85C 5*11 | P | 1.00 |
| C8 | 12797220T | CHEMICON, 50V 22MF 85C 5*11 | P | 1.00 |
| F1 | 11165037T | HOLDER, FUSE 5.2 (TAPPING) | P | 2.00 |
| F2 | 11165037T | HOLDER, FUSE 5.2 (TAPPING) | P | 2.00 |
| F3 | 11165037T | HOLDER, FUSE 5.2 (TAPPING) | P | 2.00 |
| F4 | 11165037T | HOLDER, FUSE 5.2 (TAPPING) | P | 2.00 |
| TR1 | 11114056T | TR, KTC1815-Y (KTC3198-Y) | P | 1.00 |
| TR2 | 11114056T | TR, KTC1815-Y (KTC3198-Y) | P | 1.00 |
| A001A | 150290747 | MAIN, AXIAL POWER & AMP SJG-380 | P | 1.00 |
| D1 | 11115024T | SILICON DIODE, 1N4148 | P | 1.00 |
| D12 | 11115024T | SILICON DIODE, 1N4148 | P | 1.00 |
| D2 | 11115003T | SILICON DIODE, 1N4004 | P | 1.00 |
| D3 | 11115003T | SILICON DIODE, 1N4004 | P | 1.00 |
| D5 | 11115645T | ZD, 16V 0.5W | P | 1.00 |
| D8 | 11115645T | ZD, 16V 0.5W | P | 1.00 |
| J1 | 11183004 | PLATING WIRE, 0.6MM | M | 0.05 |
| J10 | 11183004 | PLATING WIRE, 0.6MM | M | 0.05 |

| | | | | |
|-----|-----------|-------------------------------------|---|------|
| J11 | 11183004 | PLATING WIRE, 0.6MM | M | 0.05 |
| J12 | 11183004 | PLATING WIRE, 0.6MM | M | 0.05 |
| J13 | 11183004 | PLATING WIRE, 0.6MM | M | 0.05 |
| J14 | 11183004 | PLATING WIRE, 0.6MM | M | 0.05 |
| J15 | 11183004 | PLATING WIRE, 0.6MM | M | 0.05 |
| J16 | 11183004 | PLATING WIRE, 0.6MM | M | 0.05 |
| J17 | 11183004 | PLATING WIRE, 0.6MM | M | 0.05 |
| J18 | 11183004 | PLATING WIRE, 0.6MM | M | 0.05 |
| J19 | 11183004 | PLATING WIRE, 0.6MM | M | 0.05 |
| J2 | 11183004 | PLATING WIRE, 0.6MM | M | 0.05 |
| J20 | 11183004 | PLATING WIRE, 0.6MM | M | 0.05 |
| J21 | 11183004 | PLATING WIRE, 0.6MM | M | 0.05 |
| J22 | 11183004 | PLATING WIRE, 0.6MM | M | 0.05 |
| J23 | 11183004 | PLATING WIRE, 0.6MM | M | 0.05 |
| J24 | 11183004 | PLATING WIRE, 0.6MM | M | 0.05 |
| J25 | 11183004 | PLATING WIRE, 0.6MM | M | 0.05 |
| J26 | 11183004 | PLATING WIRE, 0.6MM | M | 0.05 |
| J27 | 11183004 | PLATING WIRE, 0.6MM | M | 0.05 |
| J28 | 11183004 | PLATING WIRE, 0.6MM | M | 0.05 |
| J29 | 11183004 | PLATING WIRE, 0.6MM | M | 0.05 |
| J3 | 11183004 | PLATING WIRE, 0.6MM | M | 0.05 |
| J30 | 11183004 | PLATING WIRE, 0.6MM | M | 0.05 |
| J31 | 11183004 | PLATING WIRE, 0.6MM | M | 0.05 |
| J32 | 11183004 | PLATING WIRE, 0.6MM | M | 0.05 |
| J33 | 11183004 | PLATING WIRE, 0.6MM | M | 0.05 |
| J34 | 11183004 | PLATING WIRE, 0.6MM | M | 0.05 |
| J35 | 11183004 | PLATING WIRE, 0.6MM | M | 0.05 |
| J36 | 11183004 | PLATING WIRE, 0.6MM | M | 0.05 |
| J37 | 11183004 | PLATING WIRE, 0.6MM | M | 0.05 |
| J4 | 11183004 | PLATING WIRE, 0.6MM | M | 0.05 |
| J5 | 11183004 | PLATING WIRE, 0.6MM | M | 0.05 |
| J6 | 11183004 | PLATING WIRE, 0.6MM | M | 0.05 |
| J8 | 11183004 | PLATING WIRE, 0.6MM | M | 0.05 |
| J9 | 11183004 | PLATING WIRE, 0.6MM | M | 0.05 |
| L10 | 11183004 | PLATING WIRE, 0.6MM | M | 0.05 |
| L11 | 11183004 | PLATING WIRE, 0.6MM | M | 0.05 |
| L12 | 11183004 | PLATING WIRE, 0.6MM | M | 0.05 |
| L13 | 11183004 | PLATING WIRE, 0.6MM | M | 0.05 |
| L14 | 11183004 | PLATING WIRE, 0.6MM | M | 0.05 |
| L15 | 11183004 | PLATING WIRE, 0.6MM | M | 0.05 |
| L16 | 11183004 | PLATING WIRE, 0.6MM | M | 0.05 |
| L17 | 11183004 | PLATING WIRE, 0.6MM | M | 0.05 |
| L18 | 11183004 | PLATING WIRE, 0.6MM | M | 0.05 |
| L19 | 11183004 | PLATING WIRE, 0.6MM | M | 0.05 |
| L3 | 11183004 | PLATING WIRE, 0.6MM | M | 0.05 |
| L4 | 11183004 | PLATING WIRE, 0.6MM | M | 0.05 |
| L5 | 11183004 | PLATING WIRE, 0.6MM | M | 0.05 |
| L6 | 11183004 | PLATING WIRE, 0.6MM | M | 0.05 |
| L7 | 11183004 | PLATING WIRE, 0.6MM | M | 0.05 |
| L8 | 11183004 | PLATING WIRE, 0.6MM | M | 0.05 |
| L9 | 11183004 | PLATING WIRE, 0.6MM | M | 0.05 |
| R1 | 12368100T | CARBON RESISTOR, SB 1/6W 10 OHM J | P | 1.00 |
| R10 | 12368102T | CARBON RESISTOR, SB 1/6W 1K OHM J | P | 1.00 |
| R11 | 12368563T | CARBON RESISTOR, SB 1/6W 56K OHM J | P | 1.00 |
| R12 | 12368122T | CARBON RESISTOR, SB 1/6W 1.2K OHM J | P | 1.00 |
| R13 | 12368222T | CARBON RESISTOR, SB 1/6W 2.2K OHM J | P | 1.00 |
| R14 | 12368563T | CARBON RESISTOR, SB 1/6W 56K OHM J | P | 1.00 |
| R17 | 12368563T | CARBON RESISTOR, SB 1/6W 56K OHM J | P | 1.00 |
| R18 | 12530470T | FUSE RESISTOR, RN A 1/4W 47 OHM J | P | 1.00 |
| R19 | 12368103T | CARBON RESISTOR, SB 1/6W 10K OHM J | P | 1.00 |

| | | | | |
|-----|-----------|-------------------------------------|---|------|
| R2 | 12368154T | CARBON RESISTOR, SB 1/6W 150K OHM J | P | 1.00 |
| R20 | 12368102T | CARBON RESISTOR, SB 1/6W 1K OHM J | P | 1.00 |
| R23 | 12368222T | CARBON RESISTOR, SB 1/6W 2.2K OHM J | P | 1.00 |
| R24 | 12368479T | CARBON RESISTOR, SB 1/6W 4.7 OHM J | P | 1.00 |
| R25 | 12368479T | CARBON RESISTOR, SB 1/6W 4.7 OHM J | P | 1.00 |
| R3 | 12368153T | CARBON RESISTOR, SB 1/6W 15K OHM J | P | 1.00 |
| R31 | 12368103T | CARBON RESISTOR, SB 1/6W 10K OHM J | P | 1.00 |
| R33 | 12530101T | FUSE RESISTOR, RN A 1/4W 100 OHM J | P | 1.00 |
| R34 | 12368103T | CARBON RESISTOR, SB 1/6W 10K OHM J | P | 1.00 |
| R35 | 12368181T | CARBON RESISTOR, SB 1/6W 180 OHM J | P | 1.00 |
| R36 | 12368562T | CARBON RESISTOR, SB 1/6W 5.6K OHM J | P | 1.00 |
| R37 | 12368562T | CARBON RESISTOR, SB 1/6W 5.6K OHM J | P | 1.00 |
| R38 | 12368133T | CARBON RESISTOR, SB 1/6W 13K OHM J | P | 1.00 |
| R39 | 12368133T | CARBON RESISTOR, SB 1/6W 13K OHM J | P | 1.00 |
| R4 | 12368103T | CARBON RESISTOR, SB 1/6W 10K OHM J | P | 1.00 |
| R40 | 12368101T | CARBON RESISTOR, SB 1/6W 100 OHM J | P | 1.00 |
| R41 | 12368101T | CARBON RESISTOR, SB 1/6W 100 OHM J | P | 1.00 |
| R42 | 12368473T | CARBON RESISTOR, SB 1/6W 47K OHM J | P | 1.00 |
| R43 | 12368103T | CARBON RESISTOR, SB 1/6W 10K OHM J | P | 1.00 |
| R44 | 12368473T | CARBON RESISTOR, SB 1/6W 47K OHM J | P | 1.00 |
| R45 | 12368103T | CARBON RESISTOR, SB 1/6W 10K OHM J | P | 1.00 |
| R46 | 12368472T | CARBON RESISTOR, SB 1/6W 4.7K OHM J | P | 1.00 |
| R47 | 12368472T | CARBON RESISTOR, SB 1/6W 4.7K OHM J | P | 1.00 |
| R48 | 12368473T | CARBON RESISTOR, SB 1/6W 47K OHM J | P | 1.00 |
| R49 | 12368473T | CARBON RESISTOR, SB 1/6W 47K OHM J | P | 1.00 |
| R5 | 12368272T | CARBON RESISTOR, SB 1/6W 2.7K OHM J | P | 1.00 |
| R50 | 12368473T | CARBON RESISTOR, SB 1/6W 47K OHM J | P | 1.00 |
| R51 | 12368473T | CARBON RESISTOR, SB 1/6W 47K OHM J | P | 1.00 |
| R52 | 12368562T | CARBON RESISTOR, SB 1/6W 5.6K OHM J | P | 1.00 |
| R53 | 12368472T | CARBON RESISTOR, SB 1/6W 4.7K OHM J | P | 1.00 |
| R54 | 12368102T | CARBON RESISTOR, SB 1/6W 1K OHM J | P | 1.00 |
| R55 | 12368103T | CARBON RESISTOR, SB 1/6W 10K OHM J | P | 1.00 |
| R56 | 12368103T | CARBON RESISTOR, SB 1/6W 10K OHM J | P | 1.00 |
| R57 | 12368223T | CARBON RESISTOR, SB 1/6W 22K OHM J | P | 1.00 |
| R58 | 12368103T | CARBON RESISTOR, SB 1/6W 10K OHM J | P | 1.00 |
| R59 | 12368473T | CARBON RESISTOR, SB 1/6W 47K OHM J | P | 1.00 |
| R60 | 12368103T | CARBON RESISTOR, SB 1/6W 10K OHM J | P | 1.00 |
| R61 | 12368822T | CARBON RESISTOR, SB 1/6W 8.2K OHM J | P | 1.00 |
| R62 | 12368103T | CARBON RESISTOR, SB 1/6W 10K OHM J | P | 1.00 |
| R63 | 12368123T | CARBON RESISTOR, SB 1/6W 12K OHM J | P | 1.00 |
| R64 | 12368102T | CARBON RESISTOR, SB 1/6W 1K OHM J | P | 1.00 |
| R65 | 12368473T | CARBON RESISTOR, SB 1/6W 47K OHM J | P | 1.00 |
| R7 | 12368122T | CARBON RESISTOR, SB 1/6W 1.2K OHM J | P | 1.00 |
| R8 | 12368563T | CARBON RESISTOR, SB 1/6W 56K OHM J | P | 1.00 |
| R9 | 12368102T | CARBON RESISTOR, SB 1/6W 1K OHM J | P | 1.00 |
| U1 | 11896045 | PCB, DPM06 POWER & AMP SJG-380 | P | 1.00 |

| SOUND BOARD | | | | |
|-------------|------------|--------------------------------|---|------|
| A002U | 150190776 | AUTO, DPS11 SJG-380 | P | 1.00 |
| C1 | 12797100TC | CHEMICON, 50V 10MF 85C 5*11 | P | 1.00 |
| C17 | 12797100TC | CHEMICON, 50V 10MF 85C 5*11 | P | 1.00 |
| C5 | 12795101TC | CHEMICON, 25V 100MF 85C 6.3*11 | P | 1.00 |
| C55 | 12797100TC | CHEMICON, 50V 10MF 85C 5*11 | P | 1.00 |
| C59 | 12797100TC | CHEMICON, 50V 10MF 85C 5*11 | P | 1.00 |
| C6 | 12795221T | CHEMICON, 25V 220MF 85C 8*12 | P | 1.00 |
| C60 | 12797100TC | CHEMICON, 50V 10MF 85C 5*11 | P | 1.00 |
| C62 | 12797100TC | CHEMICON, 50V 10MF 85C 5*11 | P | 1.00 |
| C74 | 12797100TC | CHEMICON, 50V 10MF 85C 5*11 | P | 1.00 |
| C98 | 12797100TC | CHEMICON, 50V 10MF 85C 5*11 | P | 1.00 |

| | | | | |
|-------|-----------|-------------------------------------|---|------|
| CON1 | 11164127 | PLUG, 8P 5267-08AX (LWB 0640-08) | P | 1.00 |
| CON10 | 11164219 | PLUG, 12P 5267-12AX (LWB 0640-12) | P | 1.00 |
| CON12 | 11165048 | CONNECTOR, PIN HDR2.54 (2*10) | P | 1.00 |
| CON13 | 11165048 | CONNECTOR, PIN HDR2.54 (2*10) | P | 1.00 |
| CON14 | 11165054 | TERMINAL, GP-881191 | P | 1.00 |
| CON17 | 11164126 | PLUG, 7P 5267-07AX | P | 1.00 |
| CON2 | 11164695 | CONNECTOR, BOXHDR BH01-34P-S/T | P | 1.00 |
| CON20 | 11164121 | PLUG, 2P 5267-02AX (LWB 0640-02) | P | 1.00 |
| CON3 | 11164122 | PLUG, 3P 5267-03AX | P | 1.00 |
| CON4 | 11164122 | PLUG, 3P 5267-03AX | P | 1.00 |
| CON5 | 11164655 | PLUG, YW396-02 | P | 1.00 |
| CON6 | 11164123 | PLUG, 4P 5267-04AX | P | 1.00 |
| CON7 | 11164124 | PLUG, 5P 5267-05AX (LWB 0640-05) | P | 1.00 |
| CON8 | 11165052 | HEADER, PIN26(26ST-2.54D) | P | 1.00 |
| D1 | 11115024T | SILICON DIODE, 1N4148 | P | 1.00 |
| IC8 | 11116377 | IC SOCKET, NIC 32S2.54 WSDIF-32T | P | 1.00 |
| IC8A | 11119943 | IC, AT27C040 OTP (512K*8BIT,90NS) | P | 1.00 |
| IC9 | 11116377 | IC SOCKET, NIC 32S2.54 WSDIF-32T | P | 1.00 |
| IC9A | 11119943 | IC, AT27C040 OTP (512K*8BIT,90NS) | P | 1.00 |
| N110 | 11961025 | SOLDER WIRE, 63SN 3.0MM | G | 6.00 |
| N111 | 11961024 | SOLDER WIRE, ENERGIZED 63SN 1.6MM | G | 1.50 |
| N112 | 11961020 | FLUX, JS-64T-3 | G | 1.00 |
| N113 | 11964033 | SOLVENT, IPA4520 | G | 7.00 |
| R13 | 12322229S | OXIDE RESISTOR, B 1W 2.2 OHM J | P | 1.00 |
| RS1 | 12008010 | NETWORK RESISTOR, 8A103J 10K*8 | P | 1.00 |
| X1 | 11153140 | CRYSTAL, OSC 32.00MHZ | P | 1.00 |
| X2 | 11153240 | CRYSTAL, 12.2888MHZ 22 02-06(K) | P | 1.00 |
| X3 | 11153221 | CRYSTAL, 24.00000MHZ 18PF-FD ATS 13 | P | 1.00 |
| C10 | 12752103T | CHIP CERAMIC CAP, X7R 50V 0.01MF K | P | 1.00 |
| C11 | 12752103T | CHIP CERAMIC CAP, X7R 50V 0.01MF K | P | 1.00 |
| C12 | 12752103T | CHIP CERAMIC CAP, X7R 50V 0.01MF K | P | 1.00 |
| C13 | 12752103T | CHIP CERAMIC CAP, X7R 50V 0.01MF K | P | 1.00 |
| C14 | 12752103T | CHIP CERAMIC CAP, X7R 50V 0.01MF K | P | 1.00 |
| C15 | 12752103T | CHIP CERAMIC CAP, X7R 50V 0.01MF K | P | 1.00 |
| C16 | 12752103T | CHIP CERAMIC CAP, X7R 50V 0.01MF K | P | 1.00 |
| C18 | 12751101T | CHIP CERAMIC CAP, COG 50V 100PF J | P | 1.00 |
| C19 | 12751101T | CHIP CERAMIC CAP, COG 50V 100PF J | P | 1.00 |
| C20 | 12751101T | CHIP CERAMIC CAP, COG 50V 100PF J | P | 1.00 |
| C21 | 12751101T | CHIP CERAMIC CAP, COG 50V 100PF J | P | 1.00 |
| C22 | 12751101T | CHIP CERAMIC CAP, COG 50V 100PF J | P | 1.00 |
| C23 | 12751101T | CHIP CERAMIC CAP, COG 50V 100PF J | P | 1.00 |
| C24 | 12751101T | CHIP CERAMIC CAP, COG 50V 100PF J | P | 1.00 |
| C25 | 12751101T | CHIP CERAMIC CAP, COG 50V 100PF J | P | 1.00 |
| C26 | 12751101T | CHIP CERAMIC CAP, COG 50V 100PF J | P | 1.00 |
| C27 | 12751101T | CHIP CERAMIC CAP, COG 50V 100PF J | P | 1.00 |
| C28 | 12751101T | CHIP CERAMIC CAP, COG 50V 100PF J | P | 1.00 |
| C29 | 12751101T | CHIP CERAMIC CAP, COG 50V 100PF J | P | 1.00 |
| C3 | 12752104T | CHIP CERAMIC CAP, X7R 25V 0.1MF K | P | 1.00 |
| C30 | 12751101T | CHIP CERAMIC CAP, COG 50V 100PF J | P | 1.00 |
| C31 | 12751101T | CHIP CERAMIC CAP, COG 50V 100PF J | P | 1.00 |
| C32 | 12751101T | CHIP CERAMIC CAP, COG 50V 100PF J | P | 1.00 |
| C33 | 12751101T | CHIP CERAMIC CAP, COG 50V 100PF J | P | 1.00 |
| C34 | 12751101T | CHIP CERAMIC CAP, COG 50V 100PF J | P | 1.00 |
| C35 | 12751101T | CHIP CERAMIC CAP, COG 50V 100PF J | P | 1.00 |
| C36 | 12751101T | CHIP CERAMIC CAP, COG 50V 100PF J | P | 1.00 |
| C37 | 12751101T | CHIP CERAMIC CAP, COG 50V 100PF J | P | 1.00 |
| C38 | 12751101T | CHIP CERAMIC CAP, COG 50V 100PF J | P | 1.00 |
| C39 | 12751101T | CHIP CERAMIC CAP, COG 50V 100PF J | P | 1.00 |
| C4 | 12752104T | CHIP CERAMIC CAP, X7R 25V 0.1MF K | P | 1.00 |
| C40 | 12751101T | CHIP CERAMIC CAP, COG 50V 100PF J | P | 1.00 |

| | | | | |
|------|-----------|------------------------------------|---|------|
| C41 | 12751101T | CHIP CERAMIC CAP, COG 50V 100PF J | P | 1.00 |
| C42 | 12751101T | CHIP CERAMIC CAP, COG 50V 100PF J | P | 1.00 |
| C43 | 12751101T | CHIP CERAMIC CAP, COG 50V 100PF J | P | 1.00 |
| C44 | 12751101T | CHIP CERAMIC CAP, COG 50V 100PF J | P | 1.00 |
| C45 | 12751101T | CHIP CERAMIC CAP, COG 50V 100PF J | P | 1.00 |
| C46 | 12751101T | CHIP CERAMIC CAP, COG 50V 100PF J | P | 1.00 |
| C47 | 12751101T | CHIP CERAMIC CAP, COG 50V 100PF J | P | 1.00 |
| C48 | 12751101T | CHIP CERAMIC CAP, COG 50V 100PF J | P | 1.00 |
| C49 | 12751101T | CHIP CERAMIC CAP, COG 50V 100PF J | P | 1.00 |
| C50 | 12751101T | CHIP CERAMIC CAP, COG 50V 100PF J | P | 1.00 |
| C51 | 12751101T | CHIP CERAMIC CAP, COG 50V 100PF J | P | 1.00 |
| C52 | 12751101T | CHIP CERAMIC CAP, COG 50V 100PF J | P | 1.00 |
| C53 | 12751101T | CHIP CERAMIC CAP, COG 50V 100PF J | P | 1.00 |
| C54 | 12751101T | CHIP CERAMIC CAP, COG 50V 100PF J | P | 1.00 |
| C56 | 12751221T | CHIP CERAMIC CAP, COG 50V 220PF J | P | 1.00 |
| C57 | 12751220T | CHIP CERAMIC CAP, COG 50V 22PF J | P | 1.00 |
| C58 | 12751220T | CHIP CERAMIC CAP, COG 50V 22PF J | P | 1.00 |
| C61 | 12752104T | CHIP CERAMIC CAP, X7R 25V 0.1MF K | P | 1.00 |
| C63 | 12751101T | CHIP CERAMIC CAP, COG 50V 100PF J | P | 1.00 |
| C64 | 12751101T | CHIP CERAMIC CAP, COG 50V 100PF J | P | 1.00 |
| C65 | 12751471T | CHIP CERAMIC CAP, COG 50V 470PF J | P | 1.00 |
| C66 | 12751101T | CHIP CERAMIC CAP, COG 50V 100PF J | P | 1.00 |
| C67 | 12751101T | CHIP CERAMIC CAP, COG 50V 100PF J | P | 1.00 |
| C69 | 12751221T | CHIP CERAMIC CAP, COG 50V 220PF J | P | 1.00 |
| C7 | 12751101T | CHIP CERAMIC CAP, COG 50V 100PF J | P | 1.00 |
| C70 | 12751471T | CHIP CERAMIC CAP, COG 50V 470PF J | P | 1.00 |
| C71 | 12752222T | CHIP CERAMIC CAP, X7R 50V 2200PF K | P | 1.00 |
| C72 | 12752222T | CHIP CERAMIC CAP, X7R 50V 2200PF K | P | 1.00 |
| C73 | 12751471T | CHIP CERAMIC CAP, COG 50V 470PF J | P | 1.00 |
| C76 | 12751101T | CHIP CERAMIC CAP, COG 50V 100PF J | P | 1.00 |
| C77 | 12752103T | CHIP CERAMIC CAP, X7R 50V 0.01MF K | P | 1.00 |
| C78 | 12751101T | CHIP CERAMIC CAP, COG 50V 100PF J | P | 1.00 |
| C79 | 12751101T | CHIP CERAMIC CAP, COG 50V 100PF J | P | 1.00 |
| C8 | 12751101T | CHIP CERAMIC CAP, COG 50V 100PF J | P | 1.00 |
| C80 | 12751101T | CHIP CERAMIC CAP, COG 50V 100PF J | P | 1.00 |
| C81 | 12751101T | CHIP CERAMIC CAP, COG 50V 100PF J | P | 1.00 |
| C82 | 12751101T | CHIP CERAMIC CAP, COG 50V 100PF J | P | 1.00 |
| C83 | 12751101T | CHIP CERAMIC CAP, COG 50V 100PF J | P | 1.00 |
| C84 | 12751101T | CHIP CERAMIC CAP, COG 50V 100PF J | P | 1.00 |
| C85 | 12751101T | CHIP CERAMIC CAP, COG 50V 100PF J | P | 1.00 |
| C86 | 12751101T | CHIP CERAMIC CAP, COG 50V 100PF J | P | 1.00 |
| C87 | 12751101T | CHIP CERAMIC CAP, COG 50V 100PF J | P | 1.00 |
| C88 | 12751101T | CHIP CERAMIC CAP, COG 50V 100PF J | P | 1.00 |
| C89 | 12751101T | CHIP CERAMIC CAP, COG 50V 100PF J | P | 1.00 |
| C9 | 12752103T | CHIP CERAMIC CAP, X7R 50V 0.01MF K | P | 1.00 |
| C90 | 12751101T | CHIP CERAMIC CAP, COG 50V 100PF J | P | 1.00 |
| C91 | 12751101T | CHIP CERAMIC CAP, COG 50V 100PF J | P | 1.00 |
| C92 | 12751101T | CHIP CERAMIC CAP, COG 50V 100PF J | P | 1.00 |
| C93 | 12751101T | CHIP CERAMIC CAP, COG 50V 100PF J | P | 1.00 |
| C94 | 12752222T | CHIP CERAMIC CAP, X7R 50V 2200PF K | P | 1.00 |
| C95 | 12751220T | CHIP CERAMIC CAP, COG 50V 22PF J | P | 1.00 |
| C96 | 12751220T | CHIP CERAMIC CAP, COG 50V 22PF J | P | 1.00 |
| C99 | 12752104T | CHIP CERAMIC CAP, X7R 25V 0.1MF K | P | 1.00 |
| CC1 | 12752104T | CHIP CERAMIC CAP, X7R 25V 0.1MF K | P | 1.00 |
| CC10 | 12752104T | CHIP CERAMIC CAP, X7R 25V 0.1MF K | P | 1.00 |
| CC11 | 12752104T | CHIP CERAMIC CAP, X7R 25V 0.1MF K | P | 1.00 |
| CC12 | 12752104T | CHIP CERAMIC CAP, X7R 25V 0.1MF K | P | 1.00 |
| CC13 | 12752104T | CHIP CERAMIC CAP, X7R 25V 0.1MF K | P | 1.00 |
| CC14 | 12752104T | CHIP CERAMIC CAP, X7R 25V 0.1MF K | P | 1.00 |
| CC15 | 12752104T | CHIP CERAMIC CAP, X7R 25V 0.1MF K | P | 1.00 |

| | | | | |
|------|-----------|-------------------------------------|---|------|
| CC16 | 12752104T | CHIP CERAMIC CAP, X7R 25V 0.1MF K | P | 1.00 |
| CC17 | 12752104T | CHIP CERAMIC CAP, X7R 25V 0.1MF K | P | 1.00 |
| CC18 | 12752104T | CHIP CERAMIC CAP, X7R 25V 0.1MF K | P | 1.00 |
| CC19 | 12752104T | CHIP CERAMIC CAP, X7R 25V 0.1MF K | P | 1.00 |
| CC2 | 12752104T | CHIP CERAMIC CAP, X7R 25V 0.1MF K | P | 1.00 |
| CC20 | 12752104T | CHIP CERAMIC CAP, X7R 25V 0.1MF K | P | 1.00 |
| CC21 | 12752104T | CHIP CERAMIC CAP, X7R 25V 0.1MF K | P | 1.00 |
| CC22 | 12752104T | CHIP CERAMIC CAP, X7R 25V 0.1MF K | P | 1.00 |
| CC23 | 12752104T | CHIP CERAMIC CAP, X7R 25V 0.1MF K | P | 1.00 |
| CC24 | 12752104T | CHIP CERAMIC CAP, X7R 25V 0.1MF K | P | 1.00 |
| CC25 | 12752104T | CHIP CERAMIC CAP, X7R 25V 0.1MF K | P | 1.00 |
| CC26 | 12752104T | CHIP CERAMIC CAP, X7R 25V 0.1MF K | P | 1.00 |
| CC27 | 12752104T | CHIP CERAMIC CAP, X7R 25V 0.1MF K | P | 1.00 |
| CC28 | 12752104T | CHIP CERAMIC CAP, X7R 25V 0.1MF K | P | 1.00 |
| CC29 | 12752104T | CHIP CERAMIC CAP, X7R 25V 0.1MF K | P | 1.00 |
| CC3 | 12752104T | CHIP CERAMIC CAP, X7R 25V 0.1MF K | P | 1.00 |
| CC30 | 12752104T | CHIP CERAMIC CAP, X7R 25V 0.1MF K | P | 1.00 |
| CC31 | 12752104T | CHIP CERAMIC CAP, X7R 25V 0.1MF K | P | 1.00 |
| CC32 | 12752104T | CHIP CERAMIC CAP, X7R 25V 0.1MF K | P | 1.00 |
| CC33 | 12752104T | CHIP CERAMIC CAP, X7R 25V 0.1MF K | P | 1.00 |
| CC34 | 12752104T | CHIP CERAMIC CAP, X7R 25V 0.1MF K | P | 1.00 |
| CC35 | 12752104T | CHIP CERAMIC CAP, X7R 25V 0.1MF K | P | 1.00 |
| CC36 | 12752104T | CHIP CERAMIC CAP, X7R 25V 0.1MF K | P | 1.00 |
| CC37 | 12752104T | CHIP CERAMIC CAP, X7R 25V 0.1MF K | P | 1.00 |
| CC38 | 12752104T | CHIP CERAMIC CAP, X7R 25V 0.1MF K | P | 1.00 |
| CC39 | 12752104T | CHIP CERAMIC CAP, X7R 25V 0.1MF K | P | 1.00 |
| CC4 | 12752104T | CHIP CERAMIC CAP, X7R 25V 0.1MF K | P | 1.00 |
| CC40 | 12752104T | CHIP CERAMIC CAP, X7R 25V 0.1MF K | P | 1.00 |
| CC41 | 12752104T | CHIP CERAMIC CAP, X7R 25V 0.1MF K | P | 1.00 |
| CC5 | 12752104T | CHIP CERAMIC CAP, X7R 25V 0.1MF K | P | 1.00 |
| CC6 | 12752104T | CHIP CERAMIC CAP, X7R 25V 0.1MF K | P | 1.00 |
| CC7 | 12752104T | CHIP CERAMIC CAP, X7R 25V 0.1MF K | P | 1.00 |
| CC8 | 12752104T | CHIP CERAMIC CAP, X7R 25V 0.1MF K | P | 1.00 |
| CC9 | 12752104T | CHIP CERAMIC CAP, X7R 25V 0.1MF K | P | 1.00 |
| IC1 | 11118343 | IC, SRAM IS41C16257-60K | P | 1.00 |
| IC11 | 11119700 | IC, RESET KIA7042AF SOT-89 | P | 1.00 |
| IC12 | 11118345 | IC, GM32C803C PRIME 3C | P | 1.00 |
| IC13 | 11119861 | IC, PHOTO COUPLER PC900V0NSZX | P | 1.00 |
| IC2 | 11118344 | IC, S3C3400X01(KS17C400)-QAR0 | P | 1.00 |
| IC20 | 11119915T | IC, PHILIPS 74HC14D(T) 1K TP | P | 1.00 |
| IC21 | 11118342 | IC, AT93C66 | P | 1.00 |
| IC22 | 11118341 | IC, GMS90C52 MASK | P | 1.00 |
| IC23 | 11119993T | IC, 74HC244 SOP 1K/TP | P | 1.00 |
| IC25 | 11118334A | IC,DYNATONE 128M ROM3 SOP-44 | P | 1.00 |
| IC26 | 11118331 | IC, SRAM IDT71V016 PH TSOP2 | P | 1.00 |
| IC27 | 11118328 | IC, SOUND ENGINE SAM9708 TQFP144 | P | 1.00 |
| IC3 | 11119915T | IC, PHILIPS 74HC14D(T) 1K TP | P | 1.00 |
| IC4 | 11118313 | IC,DAC AK4384VT-E2(24BIT 2CH)SOP-16 | P | 1.00 |
| IC5 | 11118000T | IC, OP AMP KIA4558F(FLP-8) KEC | P | 1.00 |
| IC6 | 11119905 | IC, TTL 74HC138D SOP16 | P | 1.00 |
| IC7 | 11119391 | IC, REGU. 1.0A KIA78D33F DPAK | P | 1.00 |
| R1 | 12873103T | CHIP RES, 1/16W 10K OHM J(1608) | P | 1.00 |
| R10 | 12873221T | CHIP RES, 1/16W 220 OHM J (1608) | P | 1.00 |
| R100 | 12873331T | CHIP RES, 1/16W 330 OHM J(1608) | P | 1.00 |
| R101 | 12873331T | CHIP RES, 1/16W 330 OHM J(1608) | P | 1.00 |
| R102 | 12873331T | CHIP RES, 1/16W 330 OHM J(1608) | P | 1.00 |
| R103 | 12873102T | CHIP RES, 1/16W 1K OHM J(1608) | P | 1.00 |
| R105 | 12873470T | CHIP RES, 1/16W 47 OHM J (1608) | P | 1.00 |
| R106 | 12873470T | CHIP RES, 1/16W 47 OHM J (1608) | P | 1.00 |
| R107 | 12873470T | CHIP RES, 1/16W 47 OHM J (1608) | P | 1.00 |

| | | | | |
|------|-----------|-----------------------------------|---|------|
| R108 | 12873470T | CHIP RES, 1/16W 47 OHM J (1608) | P | 1.00 |
| R109 | 12873102T | CHIP RES, 1/16W 1K OHM J(1608) | P | 1.00 |
| R11 | 12873221T | CHIP RES, 1/16W 220 OHM J (1608) | P | 1.00 |
| R110 | 12873102T | CHIP RES, 1/16W 1K OHM J(1608) | P | 1.00 |
| R111 | 12873222T | CHIP RES, 1/16W 2.2K OHM J (1608) | P | 1.00 |
| R112 | 12873470T | CHIP RES, 1/16W 47 OHM J (1608) | P | 1.00 |
| R113 | 12873103T | CHIP RES, 1/16W 10K OHM J(1608) | P | 1.00 |
| R114 | 12873470T | CHIP RES, 1/16W 47 OHM J (1608) | P | 1.00 |
| R115 | 12873470T | CHIP RES, 1/16W 47 OHM J (1608) | P | 1.00 |
| R116 | 12873470T | CHIP RES, 1/16W 47 OHM J (1608) | P | 1.00 |
| R117 | 12873470T | CHIP RES, 1/16W 47 OHM J (1608) | P | 1.00 |
| R118 | 12873470T | CHIP RES, 1/16W 47 OHM J (1608) | P | 1.00 |
| R119 | 12873470T | CHIP RES, 1/16W 47 OHM J (1608) | P | 1.00 |
| R12 | 12873102T | CHIP RES, 1/16W 1K OHM J(1608) | P | 1.00 |
| R120 | 12873103T | CHIP RES, 1/16W 10K OHM J(1608) | P | 1.00 |
| R121 | 12873470T | CHIP RES, 1/16W 47 OHM J (1608) | P | 1.00 |
| R122 | 12873103T | CHIP RES, 1/16W 10K OHM J(1608) | P | 1.00 |
| R123 | 12873470T | CHIP RES, 1/16W 47 OHM J (1608) | P | 1.00 |
| R124 | 12873470T | CHIP RES, 1/16W 47 OHM J (1608) | P | 1.00 |
| R125 | 12873470T | CHIP RES, 1/16W 47 OHM J (1608) | P | 1.00 |
| R126 | 12873470T | CHIP RES, 1/16W 47 OHM J (1608) | P | 1.00 |
| R127 | 12873470T | CHIP RES, 1/16W 47 OHM J (1608) | P | 1.00 |
| R128 | 12873470T | CHIP RES, 1/16W 47 OHM J (1608) | P | 1.00 |
| R129 | 12873470T | CHIP RES, 1/16W 47 OHM J (1608) | P | 1.00 |
| R130 | 12873470T | CHIP RES, 1/16W 47 OHM J (1608) | P | 1.00 |
| R131 | 12873470T | CHIP RES, 1/16W 47 OHM J (1608) | P | 1.00 |
| R132 | 12873470T | CHIP RES, 1/16W 47 OHM J (1608) | P | 1.00 |
| R133 | 12873470T | CHIP RES, 1/16W 47 OHM J (1608) | P | 1.00 |
| R134 | 12873470T | CHIP RES, 1/16W 47 OHM J (1608) | P | 1.00 |
| R135 | 12873470T | CHIP RES, 1/16W 47 OHM J (1608) | P | 1.00 |
| R136 | 12873470T | CHIP RES, 1/16W 47 OHM J (1608) | P | 1.00 |
| R137 | 12873470T | CHIP RES, 1/16W 47 OHM J (1608) | P | 1.00 |
| R138 | 12873470T | CHIP RES, 1/16W 47 OHM J (1608) | P | 1.00 |
| R139 | 12873222T | CHIP RES, 1/16W 2.2K OHM J (1608) | P | 1.00 |
| R140 | 12873103T | CHIP RES, 1/16W 10K OHM J(1608) | P | 1.00 |
| R141 | 12873103T | CHIP RES, 1/16W 10K OHM J(1608) | P | 1.00 |
| R142 | 12873103T | CHIP RES, 1/16W 10K OHM J(1608) | P | 1.00 |
| R143 | 12873103T | CHIP RES, 1/16W 10K OHM J(1608) | P | 1.00 |
| R144 | 12873470T | CHIP RES, 1/16W 47 OHM J (1608) | P | 1.00 |
| R145 | 12873470T | CHIP RES, 1/16W 47 OHM J (1608) | P | 1.00 |
| R146 | 12873470T | CHIP RES, 1/16W 47 OHM J (1608) | P | 1.00 |
| R147 | 12873470T | CHIP RES, 1/16W 47 OHM J (1608) | P | 1.00 |
| R148 | 12873103T | CHIP RES, 1/16W 10K OHM J(1608) | P | 1.00 |
| R149 | 12873103T | CHIP RES, 1/16W 10K OHM J(1608) | P | 1.00 |
| R15 | 12873562T | CHIP RES, 1/16W 5.6K OHM J(1608) | P | 1.00 |
| R150 | 12873103T | CHIP RES, 1/16W 10K OHM J(1608) | P | 1.00 |
| R151 | 12873101T | CHIP RES, 1/16W 100 OHM J(1608) | P | 1.00 |
| R152 | 12873103T | CHIP RES, 1/16W 10K OHM J(1608) | P | 1.00 |
| R153 | 12873103T | CHIP RES, 1/16W 10K OHM J(1608) | P | 1.00 |
| R154 | 12873000T | CHIP RES, 1/16W 0 OHM J(1608) | P | 1.00 |
| R155 | 12873000T | CHIP RES, 1/16W 0 OHM J(1608) | P | 1.00 |
| R17 | 12873470T | CHIP RES, 1/16W 47 OHM J (1608) | P | 1.00 |
| R18 | 12873470T | CHIP RES, 1/16W 47 OHM J (1608) | P | 1.00 |
| R19 | 12873103T | CHIP RES, 1/16W 10K OHM J(1608) | P | 1.00 |
| R2 | 12873562T | CHIP RES, 1/16W 5.6K OHM J(1608) | P | 1.00 |
| R20 | 12873103T | CHIP RES, 1/16W 10K OHM J(1608) | P | 1.00 |
| R21 | 12873103T | CHIP RES, 1/16W 10K OHM J(1608) | P | 1.00 |
| R22 | 12873470T | CHIP RES, 1/16W 47 OHM J (1608) | P | 1.00 |
| R23 | 12873470T | CHIP RES, 1/16W 47 OHM J (1608) | P | 1.00 |
| R24 | 12873102T | CHIP RES, 1/16W 1K OHM J(1608) | P | 1.00 |

| | | | | |
|-----|-----------|----------------------------------|---|------|
| R25 | 12873470T | CHIP RES, 1/16W 47 OHM J (1608) | P | 1.00 |
| R26 | 12873470T | CHIP RES, 1/16W 47 OHM J (1608) | P | 1.00 |
| R27 | 12873470T | CHIP RES, 1/16W 47 OHM J (1608) | P | 1.00 |
| R28 | 12873470T | CHIP RES, 1/16W 47 OHM J (1608) | P | 1.00 |
| R29 | 12873470T | CHIP RES, 1/16W 47 OHM J (1608) | P | 1.00 |
| R3 | 12873470T | CHIP RES, 1/16W 47 OHM J (1608) | P | 1.00 |
| R30 | 12873470T | CHIP RES, 1/16W 47 OHM J (1608) | P | 1.00 |
| R31 | 12873470T | CHIP RES, 1/16W 47 OHM J (1608) | P | 1.00 |
| R32 | 12873470T | CHIP RES, 1/16W 47 OHM J (1608) | P | 1.00 |
| R33 | 12873470T | CHIP RES, 1/16W 47 OHM J (1608) | P | 1.00 |
| R34 | 12873470T | CHIP RES, 1/16W 47 OHM J (1608) | P | 1.00 |
| R35 | 12873470T | CHIP RES, 1/16W 47 OHM J (1608) | P | 1.00 |
| R36 | 12873470T | CHIP RES, 1/16W 47 OHM J (1608) | P | 1.00 |
| R37 | 12873470T | CHIP RES, 1/16W 47 OHM J (1608) | P | 1.00 |
| R38 | 12873470T | CHIP RES, 1/16W 47 OHM J (1608) | P | 1.00 |
| R39 | 12873470T | CHIP RES, 1/16W 47 OHM J (1608) | P | 1.00 |
| R4 | 12873221T | CHIP RES, 1/16W 220 OHM J (1608) | P | 1.00 |
| R40 | 12873470T | CHIP RES, 1/16W 47 OHM J (1608) | P | 1.00 |
| R41 | 12873470T | CHIP RES, 1/16W 47 OHM J (1608) | P | 1.00 |
| R42 | 12873470T | CHIP RES, 1/16W 47 OHM J (1608) | P | 1.00 |
| R43 | 12873470T | CHIP RES, 1/16W 47 OHM J (1608) | P | 1.00 |
| R44 | 12873470T | CHIP RES, 1/16W 47 OHM J (1608) | P | 1.00 |
| R45 | 12873470T | CHIP RES, 1/16W 47 OHM J (1608) | P | 1.00 |
| R46 | 12873470T | CHIP RES, 1/16W 47 OHM J (1608) | P | 1.00 |
| R47 | 12873470T | CHIP RES, 1/16W 47 OHM J (1608) | P | 1.00 |
| R48 | 12873470T | CHIP RES, 1/16W 47 OHM J (1608) | P | 1.00 |
| R49 | 12873470T | CHIP RES, 1/16W 47 OHM J (1608) | P | 1.00 |
| R5 | 12873221T | CHIP RES, 1/16W 220 OHM J (1608) | P | 1.00 |
| R50 | 12873470T | CHIP RES, 1/16W 47 OHM J (1608) | P | 1.00 |
| R51 | 12873470T | CHIP RES, 1/16W 47 OHM J (1608) | P | 1.00 |
| R52 | 12873470T | CHIP RES, 1/16W 47 OHM J (1608) | P | 1.00 |
| R53 | 12873470T | CHIP RES, 1/16W 47 OHM J (1608) | P | 1.00 |
| R54 | 12873470T | CHIP RES, 1/16W 47 OHM J (1608) | P | 1.00 |
| R55 | 12873470T | CHIP RES, 1/16W 47 OHM J (1608) | P | 1.00 |
| R56 | 12873470T | CHIP RES, 1/16W 47 OHM J (1608) | P | 1.00 |
| R57 | 12873470T | CHIP RES, 1/16W 47 OHM J (1608) | P | 1.00 |
| R58 | 12873470T | CHIP RES, 1/16W 47 OHM J (1608) | P | 1.00 |
| R59 | 12873470T | CHIP RES, 1/16W 47 OHM J (1608) | P | 1.00 |
| R6 | 12873221T | CHIP RES, 1/16W 220 OHM J (1608) | P | 1.00 |
| R60 | 12873470T | CHIP RES, 1/16W 47 OHM J (1608) | P | 1.00 |
| R61 | 12873470T | CHIP RES, 1/16W 47 OHM J (1608) | P | 1.00 |
| R62 | 12873470T | CHIP RES, 1/16W 47 OHM J (1608) | P | 1.00 |
| R63 | 12873470T | CHIP RES, 1/16W 47 OHM J (1608) | P | 1.00 |
| R64 | 12873470T | CHIP RES, 1/16W 47 OHM J (1608) | P | 1.00 |
| R65 | 12873470T | CHIP RES, 1/16W 47 OHM J (1608) | P | 1.00 |
| R66 | 12873470T | CHIP RES, 1/16W 47 OHM J (1608) | P | 1.00 |
| R67 | 12873470T | CHIP RES, 1/16W 47 OHM J (1608) | P | 1.00 |
| R68 | 12873470T | CHIP RES, 1/16W 47 OHM J (1608) | P | 1.00 |
| R69 | 12873470T | CHIP RES, 1/16W 47 OHM J (1608) | P | 1.00 |
| R7 | 12873102T | CHIP RES, 1/16W 1K OHM J(1608) | P | 1.00 |
| R70 | 12873470T | CHIP RES, 1/16W 47 OHM J (1608) | P | 1.00 |
| R71 | 12873470T | CHIP RES, 1/16W 47 OHM J (1608) | P | 1.00 |
| R72 | 12873470T | CHIP RES, 1/16W 47 OHM J (1608) | P | 1.00 |
| R73 | 12873470T | CHIP RES, 1/16W 47 OHM J (1608) | P | 1.00 |
| R74 | 12873470T | CHIP RES, 1/16W 47 OHM J (1608) | P | 1.00 |
| R75 | 12873470T | CHIP RES, 1/16W 47 OHM J (1608) | P | 1.00 |
| R76 | 12873470T | CHIP RES, 1/16W 47 OHM J (1608) | P | 1.00 |
| R77 | 12873470T | CHIP RES, 1/16W 47 OHM J (1608) | P | 1.00 |
| R78 | 12873470T | CHIP RES, 1/16W 47 OHM J (1608) | P | 1.00 |
| R79 | 12873470T | CHIP RES, 1/16W 47 OHM J (1608) | P | 1.00 |

| | | | | |
|-----|-----------|-----------------------------------|---|------|
| R8 | 12873102T | CHIP RES, 1/16W 1K OHM J(1608) | P | 1.00 |
| R80 | 12873470T | CHIP RES, 1/16W 47 OHM J (1608) | P | 1.00 |
| R82 | 12873470T | CHIP RES, 1/16W 47 OHM J (1608) | P | 1.00 |
| R84 | 12873470T | CHIP RES, 1/16W 47 OHM J (1608) | P | 1.00 |
| R85 | 12873470T | CHIP RES, 1/16W 47 OHM J (1608) | P | 1.00 |
| R86 | 12873470T | CHIP RES, 1/16W 47 OHM J (1608) | P | 1.00 |
| R87 | 12873470T | CHIP RES, 1/16W 47 OHM J (1608) | P | 1.00 |
| R88 | 12873470T | CHIP RES, 1/16W 47 OHM J (1608) | P | 1.00 |
| R89 | 12873470T | CHIP RES, 1/16W 47 OHM J (1608) | P | 1.00 |
| R9 | 12873102T | CHIP RES, 1/16W 1K OHM J(1608) | P | 1.00 |
| R90 | 12873470T | CHIP RES, 1/16W 47 OHM J (1608) | P | 1.00 |
| R91 | 12873470T | CHIP RES, 1/16W 47 OHM J (1608) | P | 1.00 |
| R92 | 12873470T | CHIP RES, 1/16W 47 OHM J (1608) | P | 1.00 |
| R93 | 12873470T | CHIP RES, 1/16W 47 OHM J (1608) | P | 1.00 |
| R94 | 12873470T | CHIP RES, 1/16W 47 OHM J (1608) | P | 1.00 |
| R95 | 12873222T | CHIP RES, 1/16W 2.2K OHM J (1608) | P | 1.00 |
| R97 | 12873103T | CHIP RES, 1/16W 10K OHM J(1608) | P | 1.00 |
| R98 | 12873331T | CHIP RES, 1/16W 330 OHM J(1608) | P | 1.00 |
| R99 | 12873331T | CHIP RES, 1/16W 330 OHM J(1608) | P | 1.00 |
| U1 | 11896046 | PCB, DPS11 EMI SOUND SJG-380 | P | 1.00 |

CONSOLE BOARD

| | | | | |
|-------|-----------|-----------------------------------|---|------|
| A003A | 150090827 | CONSOLE LEFT, EMI DPC14-1 | P | 1.00 |
| A003B | 150090828 | CONSOLE RIGHT, EMI DPC14-2 | P | 1.00 |
| AA03R | 150690096 | CONSOLE LEFT, RHU DPC14-1 | P | 1.00 |
| AB03R | 150690097 | CONSOLE RIGHT, RHU DPC14-2 | P | 1.00 |
| CN101 | 11165053 | HEADER, BOXED 26PIN(26ANG-2.54D) | P | 1.00 |
| CN102 | 11164147 | PLUG, 12P 5268-12A | P | 1.00 |
| CN103 | 11164145 | PLUG, 3P 5268-03A | P | 1.00 |
| CN104 | 11164144 | PLUG, 10P 5268-10A | P | 1.00 |
| CN105 | 11164145 | PLUG, 3P 5268-03A | P | 1.00 |
| CN106 | 11164140 | PLUG, 2P 5268-02A (LAB 0640-02) | P | 1.00 |
| CN107 | 11164141 | PLUG, 4P 5268-4A | P | 1.00 |
| CN108 | 11164144 | PLUG, 10P 5268-10A | P | 1.00 |
| CN201 | 11164147 | PLUG, 12P 5268-12A | P | 1.00 |
| CN202 | 11164145 | PLUG, 3P 5268-03A | P | 1.00 |
| IC101 | 11119979 | IC, 74HC299 DIP20 | P | 1.00 |
| IC102 | 11119979 | IC, 74HC299 DIP20 | P | 1.00 |
| IC103 | 11119979 | IC, 74HC299 DIP20 | P | 1.00 |
| IC104 | 11119979 | IC, 74HC299 DIP20 | P | 1.00 |
| IC105 | 11119979 | IC, 74HC299 DIP20 | P | 1.00 |
| IC106 | 11119864 | IC, TTL 74HC04 | P | 1.00 |
| IC201 | 11119979 | IC, 74HC299 DIP20 | P | 1.00 |
| IC202 | 11119979 | IC, 74HC299 DIP20 | P | 1.00 |
| IC203 | 11119979 | IC, 74HC299 DIP20 | P | 1.00 |
| IC204 | 11119979 | IC, 74HC299 DIP20 | P | 1.00 |
| IC205 | 11119979 | IC, 74HC299 DIP20 | P | 1.00 |
| N110 | 11961025 | SOLDER WIRE, 63SN 3.0MM | G | 6.00 |
| N110 | 11961025 | SOLDER WIRE, 63SN 3.0MM | G | 6.00 |
| N111 | 11961024 | SOLDER WIRE, ENERGIZED 63SN 1.6MM | G | 1.50 |
| N111 | 11961024 | SOLDER WIRE, ENERGIZED 63SN 1.6MM | G | 1.50 |
| N112 | 11961020 | FLUX, JS-64T-3 | G | 3.00 |
| N112 | 11961020 | FLUX, JS-64T-3 | G | 3.00 |
| N113 | 11964033 | SOLVENT, IPA4520 | G | 7.00 |
| N113 | 11964033 | SOLVENT, IPA4520 | G | 7.00 |
| AA03U | 150190777 | CONSOLE LEFT, AUTO DPC14-1 | P | 1.00 |
| AB03U | 150190778 | CONSOLE RIGHT, AUTO DPC14-2 | P | 1.00 |
| SW101 | 11145172T | TACT SWITCH, THVV502GAA | P | 1.00 |
| SW102 | 11145172T | TACT SWITCH, THVV502GAA | P | 1.00 |

| | | | | |
|-------|-----------|------------------------------------|---|------|
| LD212 | 11113175T | LED, SLR123H Ø3 CLEAR FAA-8.8MM | P | 1.00 |
| LD213 | 11113175T | LED, SLR123H Ø3 CLEAR FAA-8.8MM | P | 1.00 |
| LD214 | 11113175T | LED, SLR123H Ø3 CLEAR FAA-8.8MM | P | 1.00 |
| LD215 | 11113175T | LED, SLR123H Ø3 CLEAR FAA-8.8MM | P | 1.00 |
| LD216 | 11113175T | LED, SLR123H Ø3 CLEAR FAA-8.8MM | P | 1.00 |
| LD217 | 11113175T | LED, SLR123H Ø3 CLEAR FAA-8.8MM | P | 1.00 |
| LD218 | 11113175T | LED, SLR123H Ø3 CLEAR FAA-8.8MM | P | 1.00 |
| LD219 | 11113175T | LED, SLR123H Ø3 CLEAR FAA-8.8MM | P | 1.00 |
| LD220 | 11113175T | LED, SLR123H Ø3 CLEAR FAA-8.8MM | P | 1.00 |
| LD221 | 11113175T | LED, SLR123H Ø3 CLEAR FAA-8.8MM | P | 1.00 |
| LD222 | 11113175T | LED, SLR123H Ø3 CLEAR FAA-8.8MM | P | 1.00 |
| LD223 | 11113175T | LED, SLR123H Ø3 CLEAR FAA-8.8MM | P | 1.00 |
| LD224 | 11113175T | LED, SLR123H Ø3 CLEAR FAA-8.8MM | P | 1.00 |
| LD225 | 11113175T | LED, SLR123H Ø3 CLEAR FAA-8.8MM | P | 1.00 |
| LD226 | 11113175T | LED, SLR123H Ø3 CLEAR FAA-8.8MM | P | 1.00 |
| LD227 | 11113175T | LED, SLR123H Ø3 CLEAR FAA-8.8MM | P | 1.00 |
| LD228 | 11113175T | LED, SLR123H Ø3 CLEAR FAA-8.8MM | P | 1.00 |
| LD229 | 11113175T | LED, SLR123H Ø3 CLEAR FAA-8.8MM | P | 1.00 |
| LD230 | 11113175T | LED, SLR123H Ø3 CLEAR FAA-8.8MM | P | 1.00 |
| R101 | 12368221T | CARBON RESISTOR, SB 1/6W 220 OHM J | P | 1.00 |
| R102 | 12368221T | CARBON RESISTOR, SB 1/6W 220 OHM J | P | 1.00 |
| R103 | 12368221T | CARBON RESISTOR, SB 1/6W 220 OHM J | P | 1.00 |
| R104 | 12368221T | CARBON RESISTOR, SB 1/6W 220 OHM J | P | 1.00 |
| R105 | 12368751T | CARBON RESISTOR, SB 1/6W 750 OHM J | P | 1.00 |
| R106 | 12368221T | CARBON RESISTOR, SB 1/6W 220 OHM J | P | 1.00 |
| R107 | 12368221T | CARBON RESISTOR, SB 1/6W 220 OHM J | P | 1.00 |
| R108 | 12368221T | CARBON RESISTOR, SB 1/6W 220 OHM J | P | 1.00 |
| R109 | 12368221T | CARBON RESISTOR, SB 1/6W 220 OHM J | P | 1.00 |
| R110 | 12368221T | CARBON RESISTOR, SB 1/6W 220 OHM J | P | 1.00 |
| R111 | 12368221T | CARBON RESISTOR, SB 1/6W 220 OHM J | P | 1.00 |
| R112 | 12368221T | CARBON RESISTOR, SB 1/6W 220 OHM J | P | 1.00 |
| R113 | 12368221T | CARBON RESISTOR, SB 1/6W 220 OHM J | P | 1.00 |
| R114 | 12368221T | CARBON RESISTOR, SB 1/6W 220 OHM J | P | 1.00 |
| R115 | 12368221T | CARBON RESISTOR, SB 1/6W 220 OHM J | P | 1.00 |
| R116 | 12368221T | CARBON RESISTOR, SB 1/6W 220 OHM J | P | 1.00 |
| R117 | 12368221T | CARBON RESISTOR, SB 1/6W 220 OHM J | P | 1.00 |
| R118 | 12368221T | CARBON RESISTOR, SB 1/6W 220 OHM J | P | 1.00 |
| R119 | 12368221T | CARBON RESISTOR, SB 1/6W 220 OHM J | P | 1.00 |
| R120 | 12368221T | CARBON RESISTOR, SB 1/6W 220 OHM J | P | 1.00 |
| R121 | 12368221T | CARBON RESISTOR, SB 1/6W 220 OHM J | P | 1.00 |
| R122 | 12368221T | CARBON RESISTOR, SB 1/6W 220 OHM J | P | 1.00 |
| R123 | 12368221T | CARBON RESISTOR, SB 1/6W 220 OHM J | P | 1.00 |
| R124 | 12368221T | CARBON RESISTOR, SB 1/6W 220 OHM J | P | 1.00 |
| R125 | 12368221T | CARBON RESISTOR, SB 1/6W 220 OHM J | P | 1.00 |
| R126 | 12368221T | CARBON RESISTOR, SB 1/6W 220 OHM J | P | 1.00 |
| R127 | 12368221T | CARBON RESISTOR, SB 1/6W 220 OHM J | P | 1.00 |
| R128 | 12368221T | CARBON RESISTOR, SB 1/6W 220 OHM J | P | 1.00 |
| R129 | 12368221T | CARBON RESISTOR, SB 1/6W 220 OHM J | P | 1.00 |
| R130 | 12368221T | CARBON RESISTOR, SB 1/6W 220 OHM J | P | 1.00 |
| R131 | 12368221T | CARBON RESISTOR, SB 1/6W 220 OHM J | P | 1.00 |
| R132 | 12368221T | CARBON RESISTOR, SB 1/6W 220 OHM J | P | 1.00 |
| R201 | 12368221T | CARBON RESISTOR, SB 1/6W 220 OHM J | P | 1.00 |
| R202 | 12368221T | CARBON RESISTOR, SB 1/6W 220 OHM J | P | 1.00 |
| R203 | 12368221T | CARBON RESISTOR, SB 1/6W 220 OHM J | P | 1.00 |
| R204 | 12368221T | CARBON RESISTOR, SB 1/6W 220 OHM J | P | 1.00 |
| R205 | 12368221T | CARBON RESISTOR, SB 1/6W 220 OHM J | P | 1.00 |
| R206 | 12368221T | CARBON RESISTOR, SB 1/6W 220 OHM J | P | 1.00 |
| R207 | 12368221T | CARBON RESISTOR, SB 1/6W 220 OHM J | P | 1.00 |
| R208 | 12368221T | CARBON RESISTOR, SB 1/6W 220 OHM J | P | 1.00 |
| R209 | 12368221T | CARBON RESISTOR, SB 1/6W 220 OHM J | P | 1.00 |

| | | | | |
|------|-----------|------------------------------------|---|------|
| R210 | 12368221T | CARBON RESISTOR, SB 1/6W 220 OHM J | P | 1.00 |
| R211 | 12368221T | CARBON RESISTOR, SB 1/6W 220 OHM J | P | 1.00 |
| R212 | 12368751T | CARBON RESISTOR, SB 1/6W 750 OHM J | P | 1.00 |
| R213 | 12368221T | CARBON RESISTOR, SB 1/6W 220 OHM J | P | 1.00 |
| R214 | 12368221T | CARBON RESISTOR, SB 1/6W 220 OHM J | P | 1.00 |
| R215 | 12368221T | CARBON RESISTOR, SB 1/6W 220 OHM J | P | 1.00 |
| R216 | 12368221T | CARBON RESISTOR, SB 1/6W 220 OHM J | P | 1.00 |
| R217 | 12368221T | CARBON RESISTOR, SB 1/6W 220 OHM J | P | 1.00 |
| R218 | 12368221T | CARBON RESISTOR, SB 1/6W 220 OHM J | P | 1.00 |
| R219 | 12368221T | CARBON RESISTOR, SB 1/6W 220 OHM J | P | 1.00 |
| R220 | 12368221T | CARBON RESISTOR, SB 1/6W 220 OHM J | P | 1.00 |
| R221 | 12368221T | CARBON RESISTOR, SB 1/6W 220 OHM J | P | 1.00 |
| R222 | 12368221T | CARBON RESISTOR, SB 1/6W 220 OHM J | P | 1.00 |
| R223 | 12368221T | CARBON RESISTOR, SB 1/6W 220 OHM J | P | 1.00 |
| R224 | 12368221T | CARBON RESISTOR, SB 1/6W 220 OHM J | P | 1.00 |
| R225 | 12368221T | CARBON RESISTOR, SB 1/6W 220 OHM J | P | 1.00 |
| R226 | 12368221T | CARBON RESISTOR, SB 1/6W 220 OHM J | P | 1.00 |
| R227 | 12368221T | CARBON RESISTOR, SB 1/6W 220 OHM J | P | 1.00 |
| R228 | 12368221T | CARBON RESISTOR, SB 1/6W 220 OHM J | P | 1.00 |
| U001 | 11896049 | PCB, CONSOLE SJG-380 | P | 1.00 |

| MIC & HEADPHONE BOARD | | | | |
|-----------------------|------------|-------------------------------------|---|------|
| A005U | 150190779 | MIC & HEAD, AUTO SJG-380 | P | 1.00 |
| CON1 | 11164124 | PLUG, 5P 5267-05AX (LWB 0640-05) | P | 1.00 |
| CON2 | 11164124 | PLUG, 5P 5267-05AX (LWB 0640-05) | P | 1.00 |
| CON3 | 11164146 | PLUG, 6P 5268-06A | P | 1.00 |
| CON4 | 11164141 | PLUG, 4P 5268-4A | P | 1.00 |
| CON5 | 11164145 | PLUG, 3P 5268-03A | P | 1.00 |
| IC1 | 11119187 | IC, DUAL OP AMP KIA75558P(KIA4558P) | P | 1.00 |
| JP1 | 11163120 | PHONE JACK, HTJ-064-04B, MOLD | P | 1.00 |
| JP2 | 11163120 | PHONE JACK, HTJ-064-04B, MOLD | P | 1.00 |
| JP3 | 11163120 | PHONE JACK, HTJ-064-04B, MOLD | P | 1.00 |
| R5 | 12322100S | OXIDE RESISTOR, B 1W 10 OHM J | P | 1.00 |
| R6 | 12322100S | OXIDE RESISTOR, B 1W 10 OHM J | P | 1.00 |
| R7 | 12322100S | OXIDE RESISTOR, B 1W 10 OHM J | P | 1.00 |
| R8 | 12322100S | OXIDE RESISTOR, B 1W 10 OHM J | P | 1.00 |
| VR1 | 12060265 | V/R, 09RV 25SQ B10K | P | 1.00 |
| VR2 | 12060266 | V/R, DUAL 141RH CO 20F B50K | P | 1.00 |
| VR3 | 12060266 | V/R, DUAL 141RH CO 20F B50K | P | 1.00 |
| VR4 | 12060266 | V/R, DUAL 141RH CO 20F B50K | P | 1.00 |
| VR5 | 12060267 | ENCODER EC16B-V | P | 1.00 |
| A005A | 150290750 | MIC & HEAD, AXIAL SJG-380 | P | 1.00 |
| C10 | 12212472T | CERAMIC CAPACITOR, B 50V 4700PF K | P | 1.00 |
| C11 | 12085046T | CHEMICON, 50V 0.22MF(BP)85C 5*11 | P | 1.00 |
| C12 | 12085046T | CHEMICON, 50V 0.22MF(BP)85C 5*11 | P | 1.00 |
| C13 | 12212681T | CERAMIC CAPACITOR, B 50V 680PF K | P | 1.00 |
| C15 | 12353100T | CERAMIC CAPACITOR, CH 50V 10PF C | P | 1.00 |
| C16 | 12797100TC | CHEMICON, 50V 10MF 85C 5*11 | P | 1.00 |
| C17 | 12797100TC | CHEMICON, 50V 10MF 85C 5*11 | P | 1.00 |
| C18 | 12353100T | CERAMIC CAPACITOR, CH 50V 10PF C | P | 1.00 |
| C20 | 12796101T | CHEMICON, 35V 100MF 85C 8*12 | P | 1.00 |
| C21 | 12796101T | CHEMICON, 35V 100MF 85C 8*12 | P | 1.00 |
| C23 | 12692472T | PLASTIC CAPACITOR, M 50V 4700PF J | P | 1.00 |
| C24 | 12212102T | CERAMIC CAPACITOR, B 50V 1000PF K | P | 1.00 |
| C25 | 12212102T | CERAMIC CAPACITOR, B 50V 1000PF K | P | 1.00 |
| C3 | 12797220TC | CHEMICON, 50V 22MF 85C 5*11 | P | 1.00 |
| C4 | 12353470T | CERAMIC CAPACITOR, CH 50V 47PF J | P | 1.00 |
| C5 | 12085046T | CHEMICON, 50V 0.22MF(BP)85C 5*11 | P | 1.00 |
| C6 | 12085046T | CHEMICON, 50V 0.22MF(BP)85C 5*11 | P | 1.00 |

PART LIST (380 GRAND 142)

| SET ASS'Y | | | NO | Part Number | Description |
|-----------|-------------|-----------------------------------|-----------------------|-------------|------------------------------------|
| NO | Part Number | Description | | | |
| | | | A72 | 11845592 | SUPPORT, SOUND PCB 380 |
| A1 | 11865895 | CONSOLE PANEL BODY SDP84S380 | A73 | 11865907 | BRACKET H/SINK-L 380 |
| A2 | 11826203 | KNOB VOLUME 500(BLK), 도장 | A74 | 11774306R | SCREW, PB 3*6 SBN |
| A3 | 11845586 | PLATE WINDOWS 380 | A75 | 11023008R | SCREW, BTA 4*12 SBN(SP) |
| A4 | 11826287 | KNOB BEND WHEEL | A76 | 11215006R | TRANS, DN-7453(AC120/230, 50/60HZ) |
| A5 | 11774306R | SCREW, PB 3*6 SBN | A77 | 11865611 | NUT LEG M10 |
| A6 | 11834289R | POWER SWITCH, ASS'Y SDP84S380 | A78 | 11719425R | SCREW, PSTA 4*25 SBN |
| A7 | 11845590 | 부직포, SPEAKER 50*60 (BLK) | A79 | | KEY BED WOOD |
| A8 | 11774316R | SCREW, PB 3*0.5*16 SBN (ROHS) | A80 | | MAIN PCB |
| A9 | 11826494 | MOLD, FDD HOUSING 380 | A81 | 11865905 | BRACKET, CHASSIS 380 |
| A10 | 11714308R | SCREW, PS 3*0.5*8 SZN | A82 | 11151206R | SPEAKER, WOOFER SP1050N(10") |
| A11 | 11865897 | BRACKET, FDD SUPPORT 380 | A83 | 11865901 | SPK GRILL 380 (대) |
| A12 | 11120027R | FDD, SFD-321B/LBL(REV.T5)3.5"/2MB | A84 | 11847948 | BRACKET, PCB SUPPORT |
| A13 | 11022410R | SCREW, BTA 4*10 SZN | A85 | | JACK PCB ASS'Y |
| A14 | 11774306R | SCREW, PB 3*6 SBN | A86 | 11032392BR | SCREW, TTB 3*6 SBN |
| A15 | 11826285 | K/BLOCK 100B(VOICE)영, 투, 380 | A87 | 11865898 | BRACKET JACK PANEL 380 (영문) |
| A16 | 11816990 | LED INDICATOR, 930-2 | A88 | 11163131R | AC JACK RONGFENG SS-120 |
| A17 | 11826288 | K/BLOCK 200B-1(낮음) | A89 | 11151186R | SPEAKER, SPK2103 6*9 INCH 8 OHM |
| A18 | 11826208 | KNOB BLOCK 200A-2(BLK) | A90 | 11040015R | NUT, SPECIAL M4.0*12 SZN |
| A19 | 11826198R | KNOB BLOCK 100A-2(도금)(ROHS) | A91 | 11865902 | SPK GRILL 380 (중) |
| A20 | 11826289 | K/BLOCK 200B-2(높음) | A92 | | KEY BED WOOD BACK |
| A21 | 11113198 | LCD MODULE, BY-CM04118DLYW-H | A93 | 11865900 | BRACKET HEAD PHONE BOX 380 (영문) |
| A22 | 11774206R | SCREW, PB 2*0.4*6 | A94 | | SOUND PCB ASS'Y |
| A23 | 11826210R | K/BLOCK 100C-2(도금+인쇄)1CAVITY(R) | A95 | 11779430R | SCREW, PPW 4*0.7*30 SBN (ROHS) |
| A24 | 11826202R | K/BLOCK 100C-1(도금+인쇄)2CAVITY(R) | A96 | | HEADPHONE PCB ASS'Y |
| A25 | 11826286 | K/BLOCK 100B(STYLE)영, 투, 380 | A97 | 11712421 | SCREW, PPW 4*0.7*20 SBN (ROHS) |
| A26 | 11826284 | K/BLOCK 100B(V/STY)영, 투, 380 | A98 | 11865916 | BRACKET PANEL SUPPORT 380 |
| A27 | 11865891 | FALL BOARD HANDLE | STAND ASS'Y | | |
| A28 | | CONSOLE.VOLUME PCB1 | NO | Part Number | Description |
| A29 | | CONSOLE.VOLUME PCB 2 | S1 | | LEG WOOD 380 ASS'Y(BLK) |
| A30 | | NUT M12 | S2 | | LEG SUPPORT 1 WOOD |
| A31 | 11865896 | BRACKET ALPHA WHEEL 380 | S3 | | LEG SUPPORT 2 WOOD |
| A32 | | BEND WHEEL PCB | S4 | | PEDAL SUPPORT WOOD BLK |
| A33 | | CONSOLE.VOLUME PCB | S5 | | PEDAL SUPPORT GOLD |
| A34 | | FALL BOARD WOOD | S6 | 11719425R | SCREW, PSTA 4*25 SBN |
| A35 | 11865889 | BRACKET FALL BOARD SHAFT-L 380 | S7 | | PEDAL BOX UP |
| A36 | 11714308R | SCREW, PS 3*0.5*8 SZN | S8 | | PEDAL BOX LOWER |
| A37 | 11865890 | BRACKET FALL BOARD SHAFT-R 380 | S9 | 11712412R | SCREW, PP 4*0.7*12 SBN |
| A38 | 11881009 | SHAFT FALL BOARD 380 | S10 | | PEDAL PCB ASS'Y |
| A39 | 11023008R | SCREW, BTA 4*12 SBN(SP) | S11 | 11865894 | PEDAL SUPPORT (조절발) 380 |
| A40 | 11884002 | GEAR, MOLD ABS | S12 | 11719570 | SCREW PSTA 5*70 SZN |
| A41 | 11827495 | TOP BOARD BODY WOOD 380 (BLK) | S13 | 11865909 | BRACKET PEDAL CHASSIS 380 |
| A42 | 11865613 | BRACKET ROSETTE LID(+) | S14 | 11865910 | BRACKET PEDAL FLANGE 380 |
| A43 | 11023412 | SCREW, BTA 4*12 (GOLD) | S15 | 11032381R | SCREW, TTB 3*8 SZN |
| A44 | 11865614 | BRACKET ROSETTE PROP | S16 | 11865912 | BRACKET PEDAL STOPPER 380 |
| A45 | 11023412 | SCREW, BTA 4*12 (GOLD) | S17 | 11865911 | SHAFT PEDAL 380 |
| A46 | | GUIDE RAIL WOOD-R | S18 | 11826495 | KNOB, P/F BUSHING 380 |
| A47 | | KEY SLIP WOOD | S19 | 11834301 | E-RING |
| A48 | | SUPPORT WOOD L | S20 | 11865914 | PEDAL START/STOP 380 |
| A49 | | SUPPORT WOOD S | S21 | 11865913 | PEDAL SOFT 380 |
| A50 | 11023412 | SCREW, BTA 4*12 (GOLD) | S22 | 11834329 | SPRING, PEDAL 380 |
| A51 | 11865619 | BRACKET HINGE TOP | S23 | 11052016 | WASHER, 20*1T |
| A52 | | SHAFT PIN | S24 | 11033328 | BOLT(L), M10*60 SBN |
| A53 | 11719425R | SCREW, PSTA 4*25 SBN | S25 | 11865915 | PEDAL SUSTAIN 380 |
| | 11865903 | SPK GRILL 380 (소) | PIANO KEY(HWS) | | |
| A55 | 11151200R | SPEAKER, SPK2114(CST5T90042) | NO | Part Number | Description |
| A56 | 11023008R | SCREW, BTA 4*12 SBN(SP) | K1 | 11858808 | WHITE KEY A1.A.B.C.D.E.F.G.C1 |
| A57 | | BLOCK WOOD(INNER) | K2 | 11858817 | BLACK KEY |
| A58 | | RIM WOOD | K3 | 11847957 | BRKT STOPPER DP |
| A59 | | SIDE ARM BLOCK-L WOOD | K4 | 11847958 | BRKT STOPPER (58) |
| A60 | | KEY BLOCK -L WOOD | K5 | 11858818 | KEY MOUNT |
| A61 | 11719435R | SCREW PSTA 3.5*35 SBN | K6 | 11847982A | SLIDE CUSHION |
| A62 | 11826492 | MOLD, GEAR RAIL-L 380 (인쇄무) | K7 | 11847986 | BRKT GUIDE RAIL |
| A63 | | GUIDE RAIL WOOD-L | K8 | 11834297 | KEY FRAME |
| A64 | 11826493 | MOLD, GEAR RAIL-R 380 (인쇄무) | K9 | 11847991 | HAMMER WEIGHT BLACK |
| A65 | | KEY BLOCK -R WOOD | K10 | 11847997 | HAMMER WEIGHT WHITE |
| A66 | | SIDE ARM BLOCK-R WOOD | K11 | 11858820 | KWY FRANGE |
| A67 | 11719435R | SCREW PSTA 3.5*35 SBN | K12 | 11858821 | KEY RUBBER SWITCH |
| A68 | | DESK BOARD ASS'Y | K13 | | KEY PCB 1,2,3,4 |
| A69 | 11712412R | SCREW, PP 4*0.7*12 SBN | K14 | 11847987 | GUIDE BUSHING(B) |
| A70 | 11865904 | BRACKET, TWEETER 380 | K15 | 11847999 | GUIDE BUSHING(W) |
| A71 | 11023436R | SCREW, BTA 4*36 SBN (ROHS) | | | |