

SERVICE MANUAL

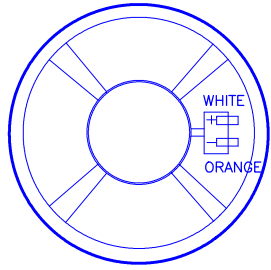
DIGITAL PIANO DPR380



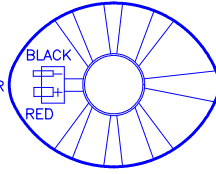
CONTENTS

- 1. WIRE DIAGRAM**
- 2. SCHEMATIC**
- 3. PCB LAYOUT**
- 4. REPLACEMENT PARTS LIST**

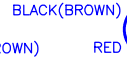
380 GRAND DISTRIBUTING WIRES DRAWING



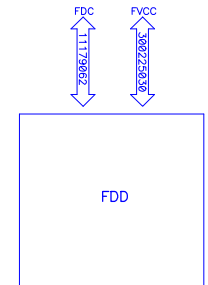
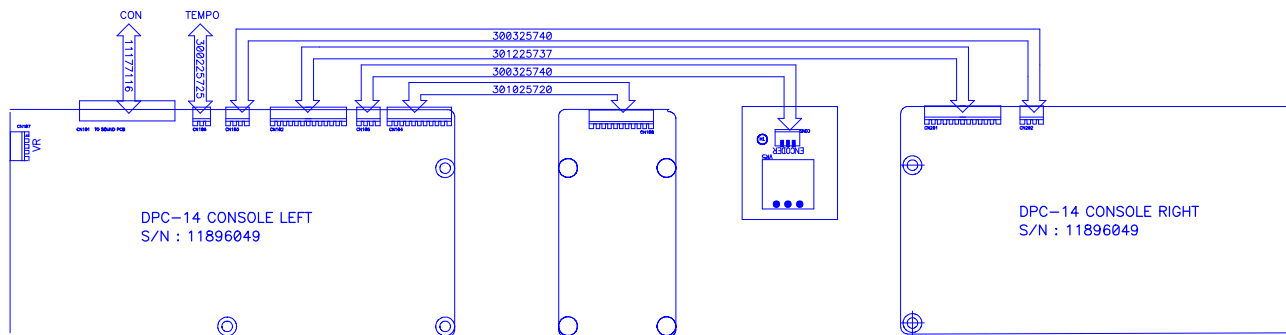
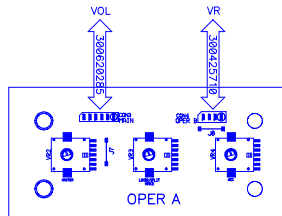
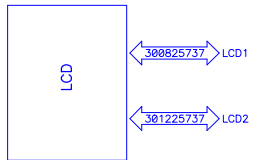
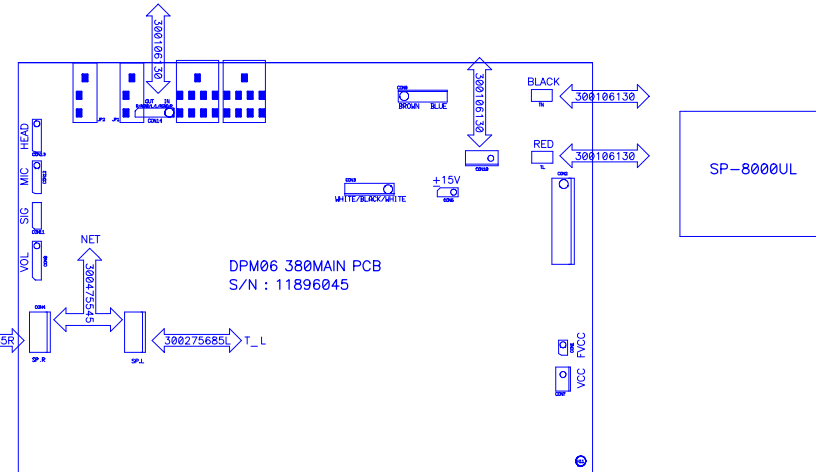
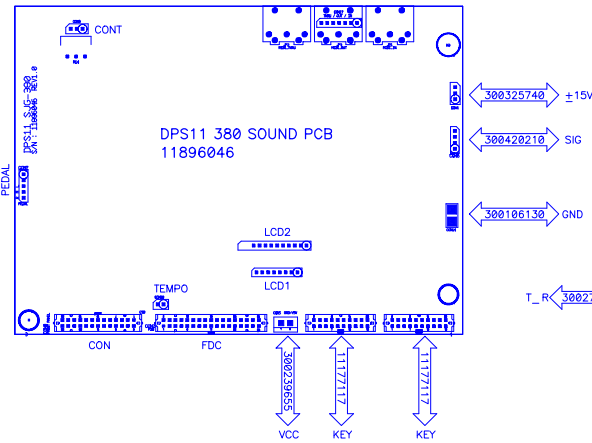
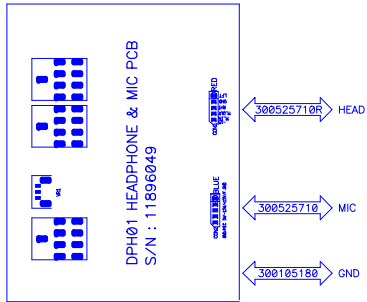
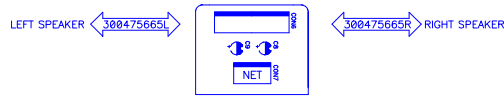
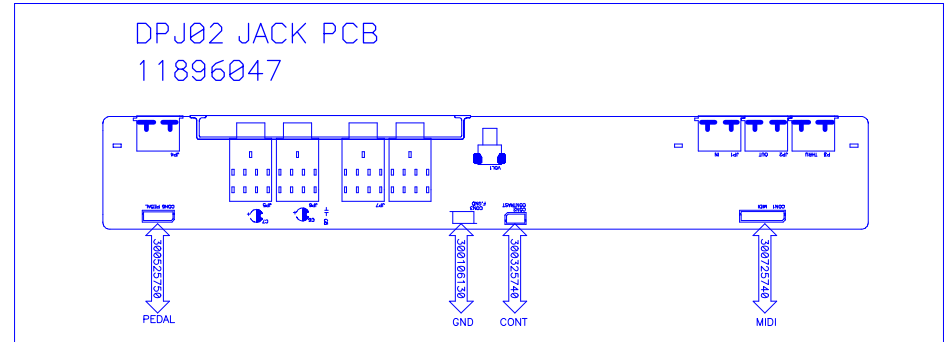
LEFT SPEAKER



RIGHT SPEAKER

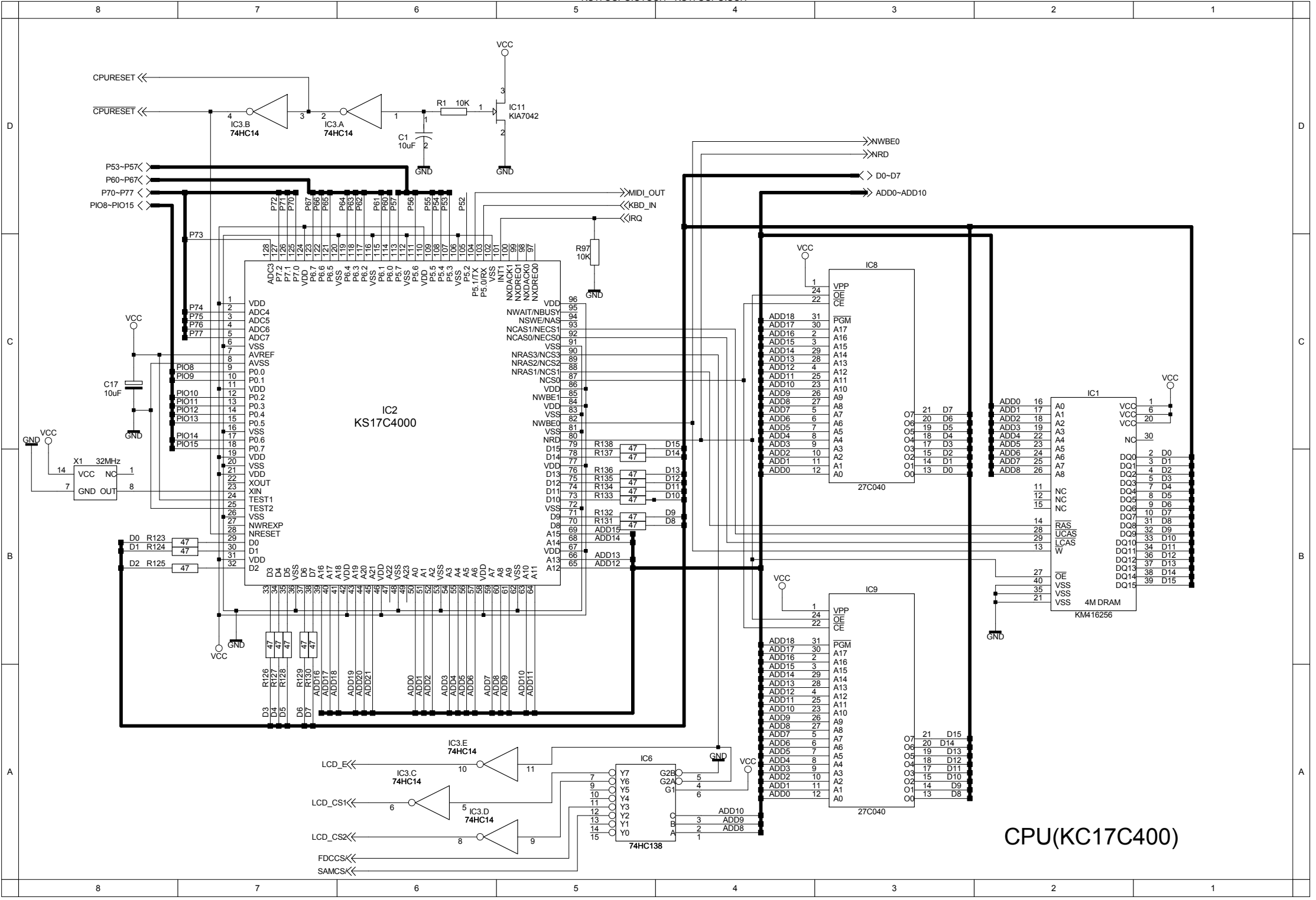


ORANGE

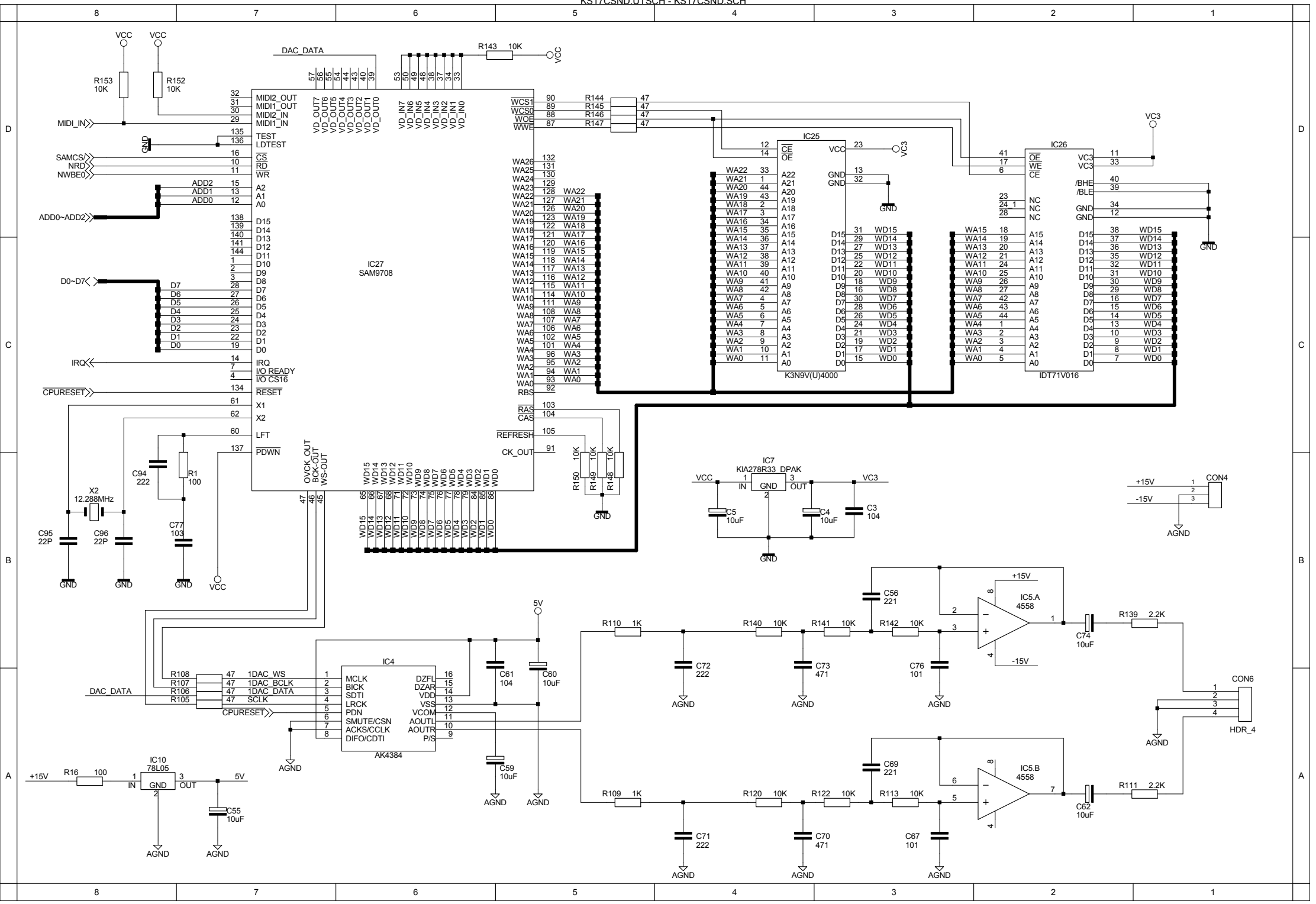


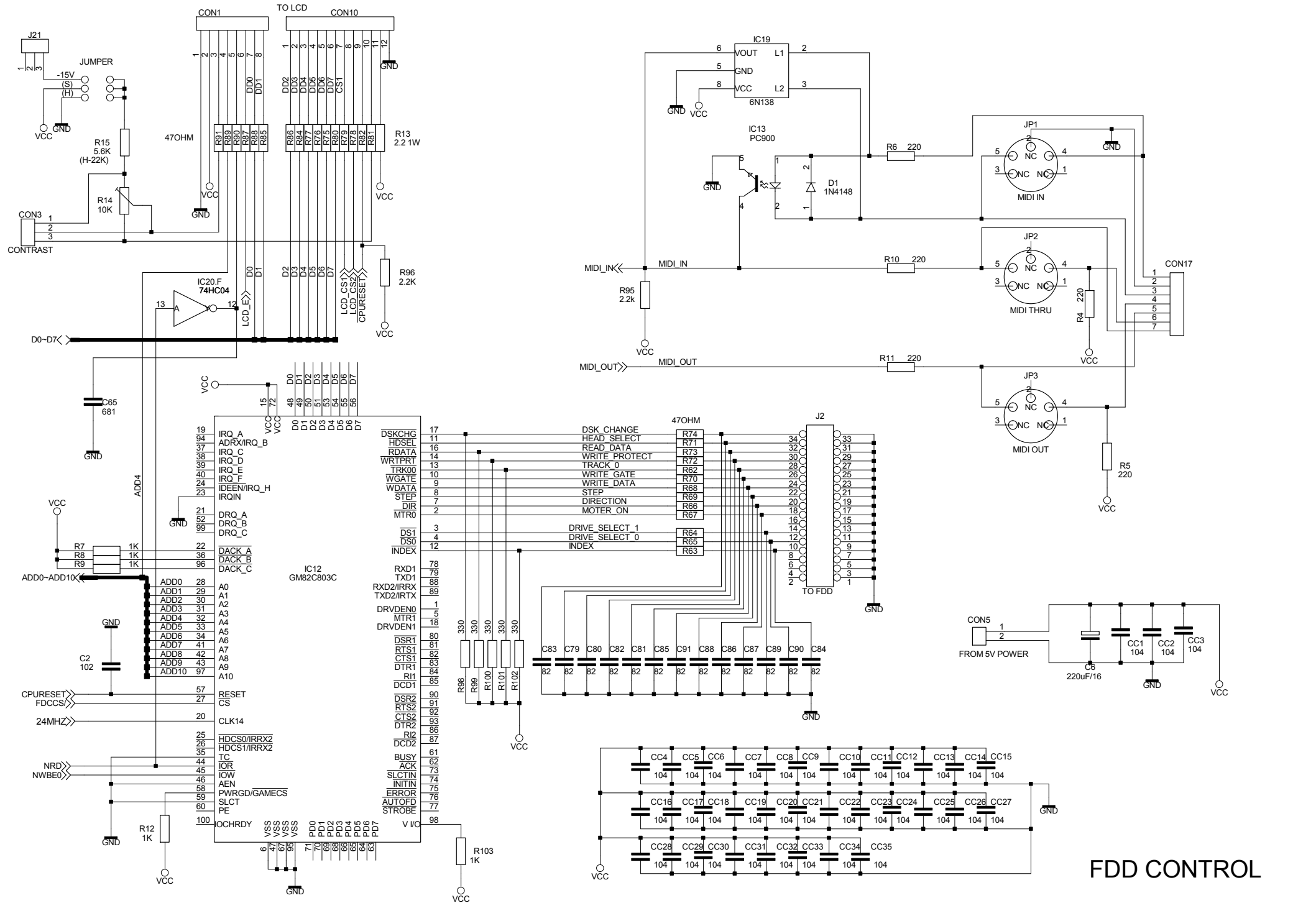
2. SCHEMATIC

- 2.1 CPU**
- 2.2 SOUND GENERATOR**
- 2.3 FDC**
- 2.4 I/O**
- 2.5 KEY**
- 2.6 CONSOLE LEFT**
- 2.7 CONSOLE RIGHT**
- 2.8 MIC & HEADPHONE**
- 2.9 POWER AMP**
- 2.10 PRE AMP**
- 2.11 KEYBOARD 1,2**
- 2.12 KEYBOARD 3,4**

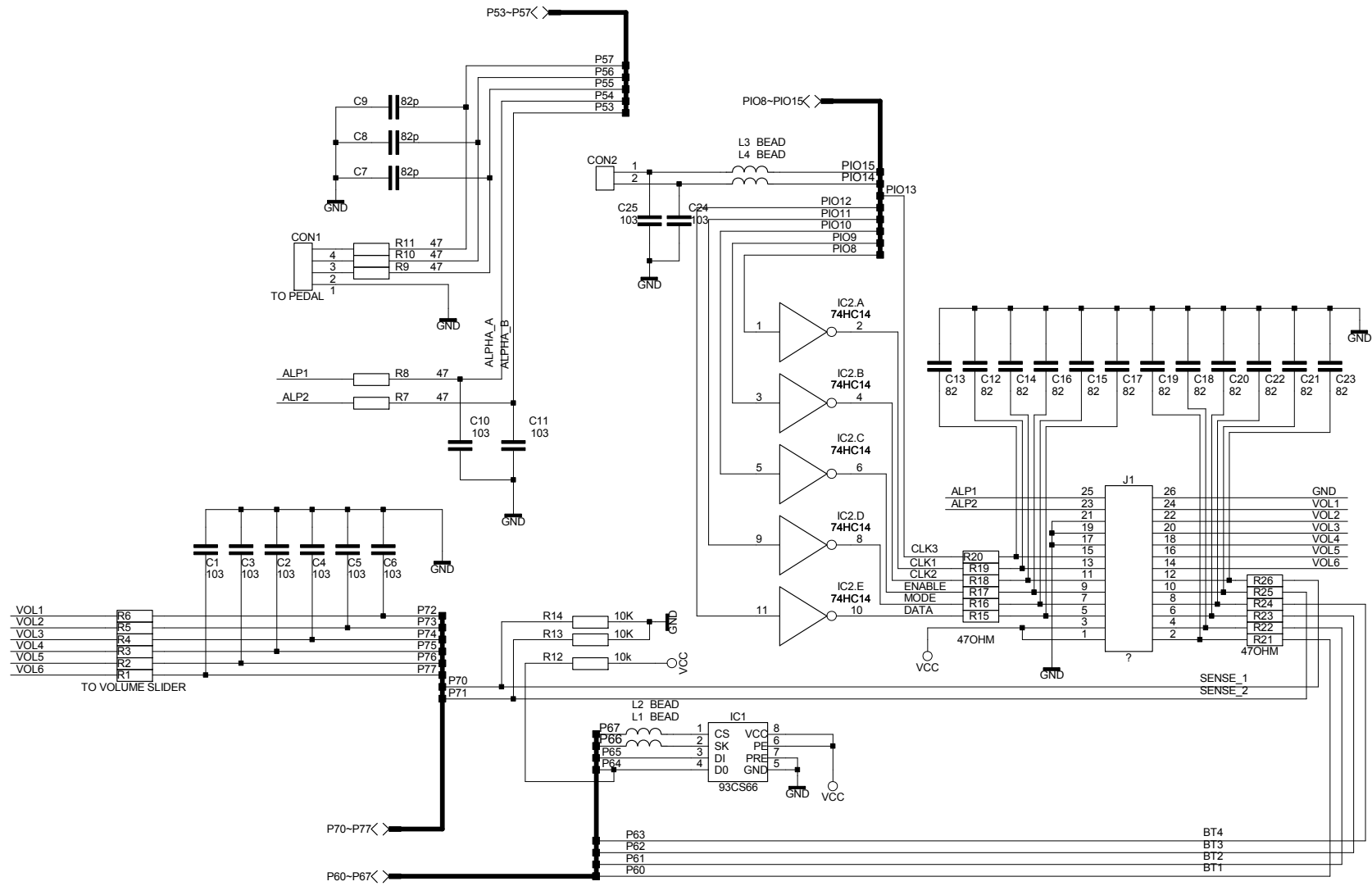


CPU(KC17C400)

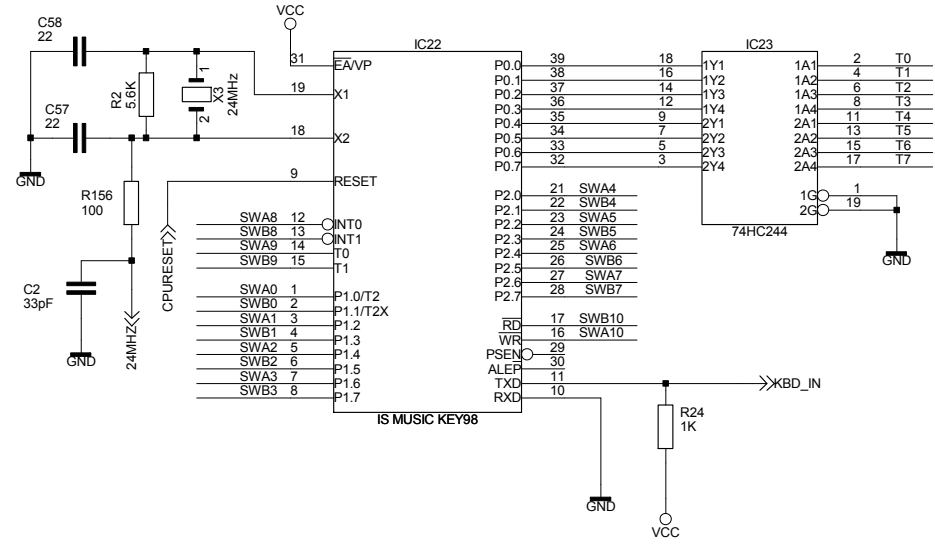
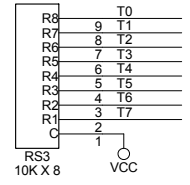
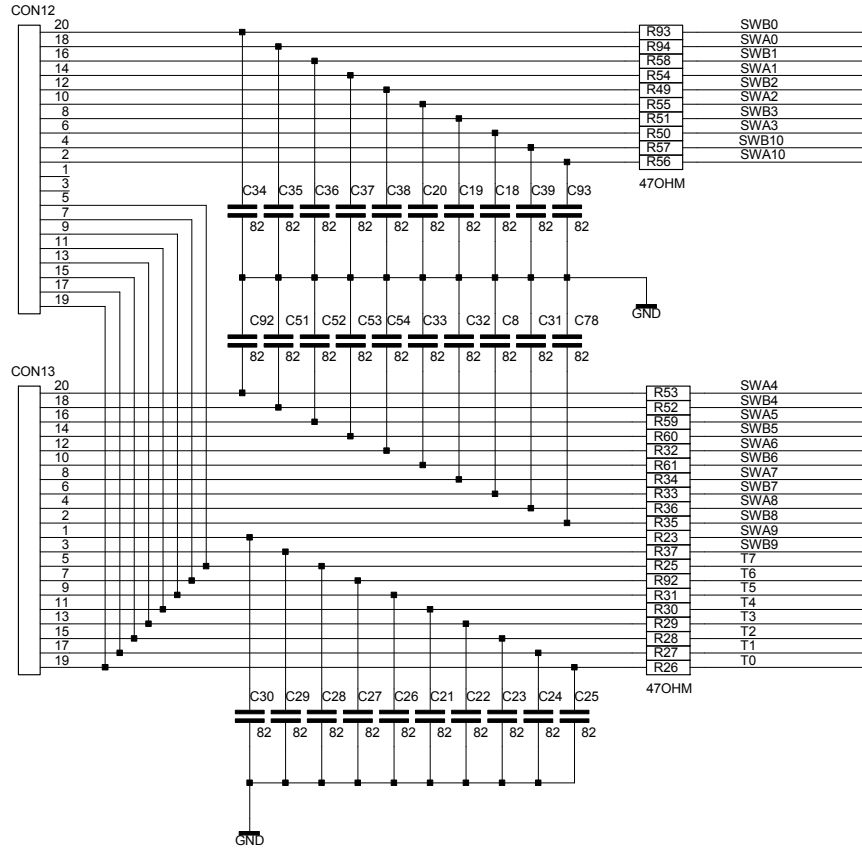




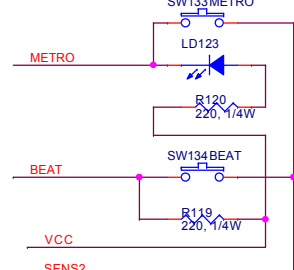
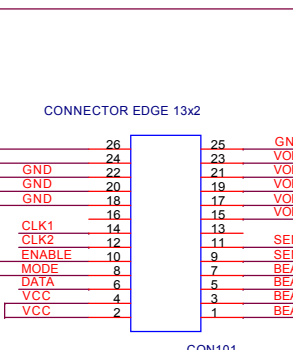
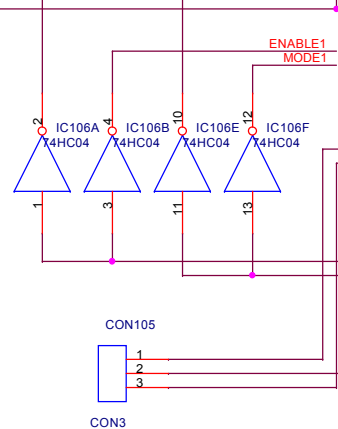
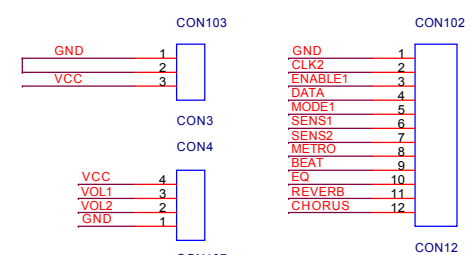
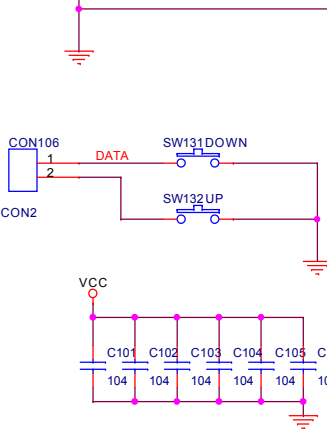
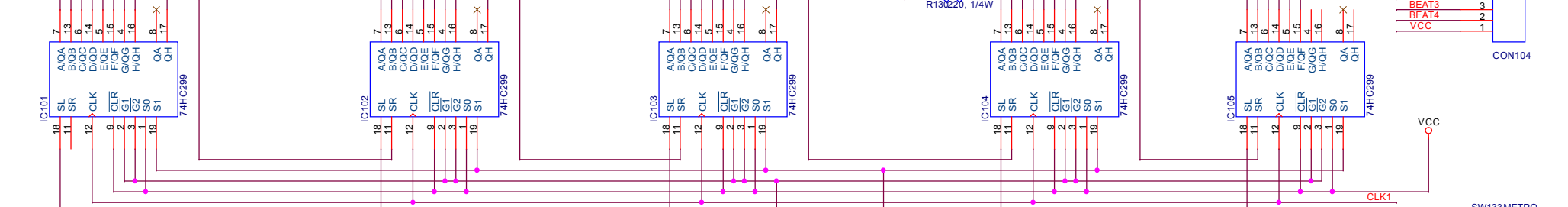
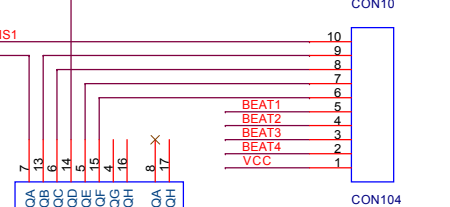
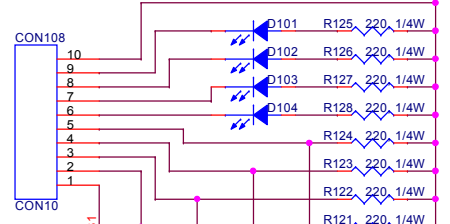
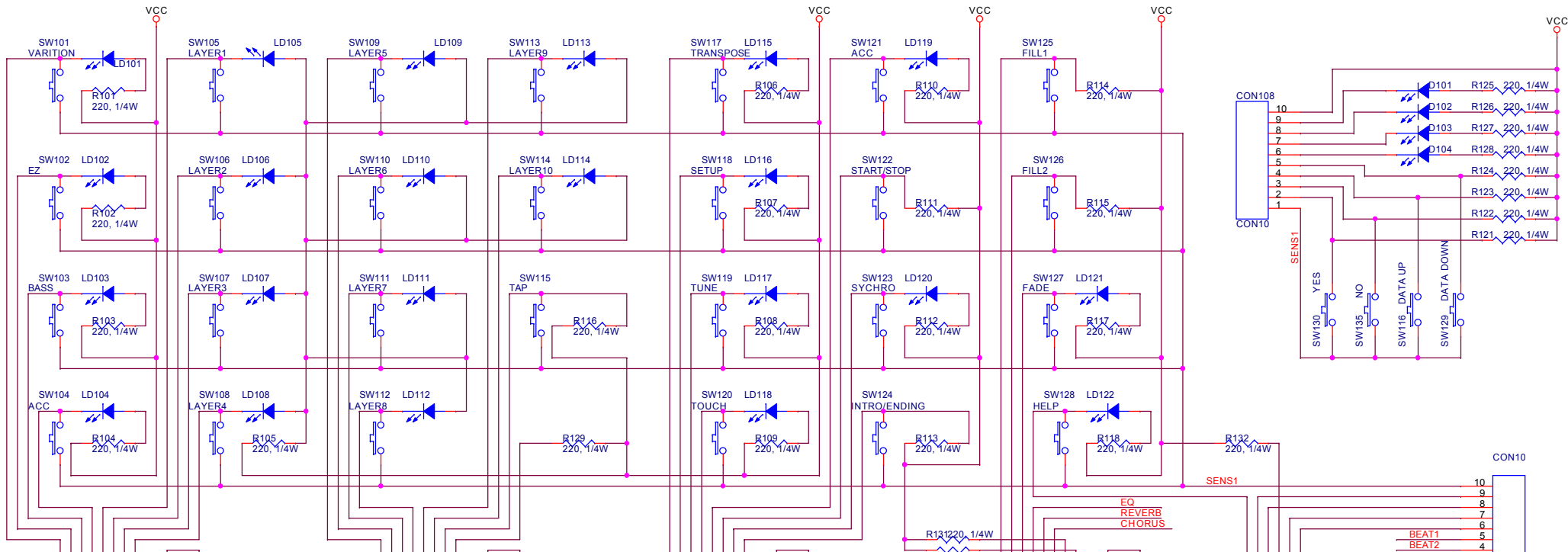
FDD CONTROL



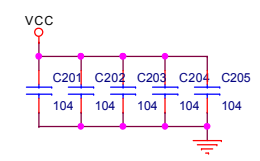
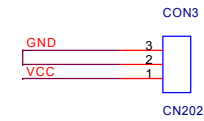
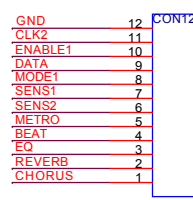
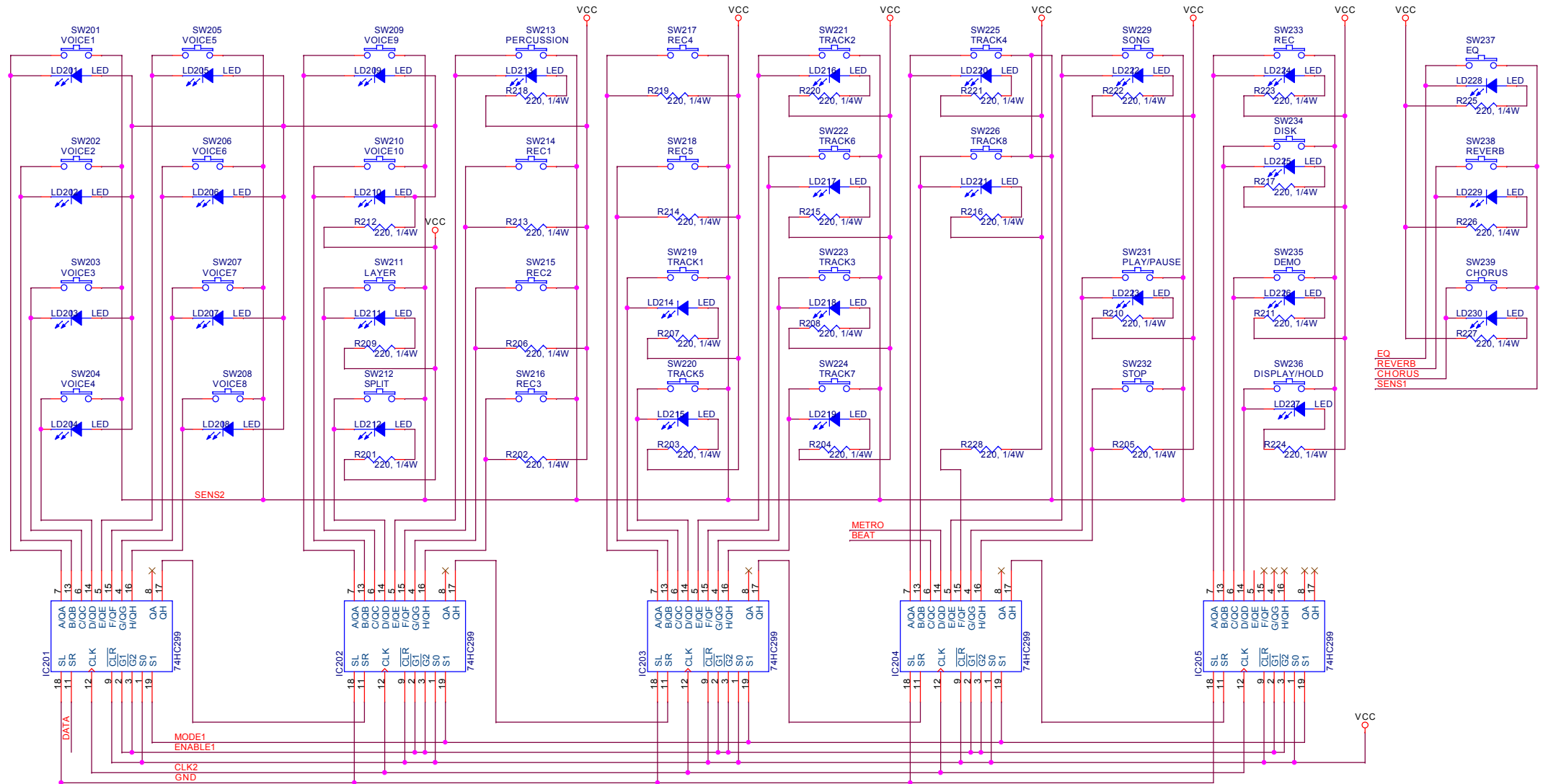
I/O



KEYBOARD



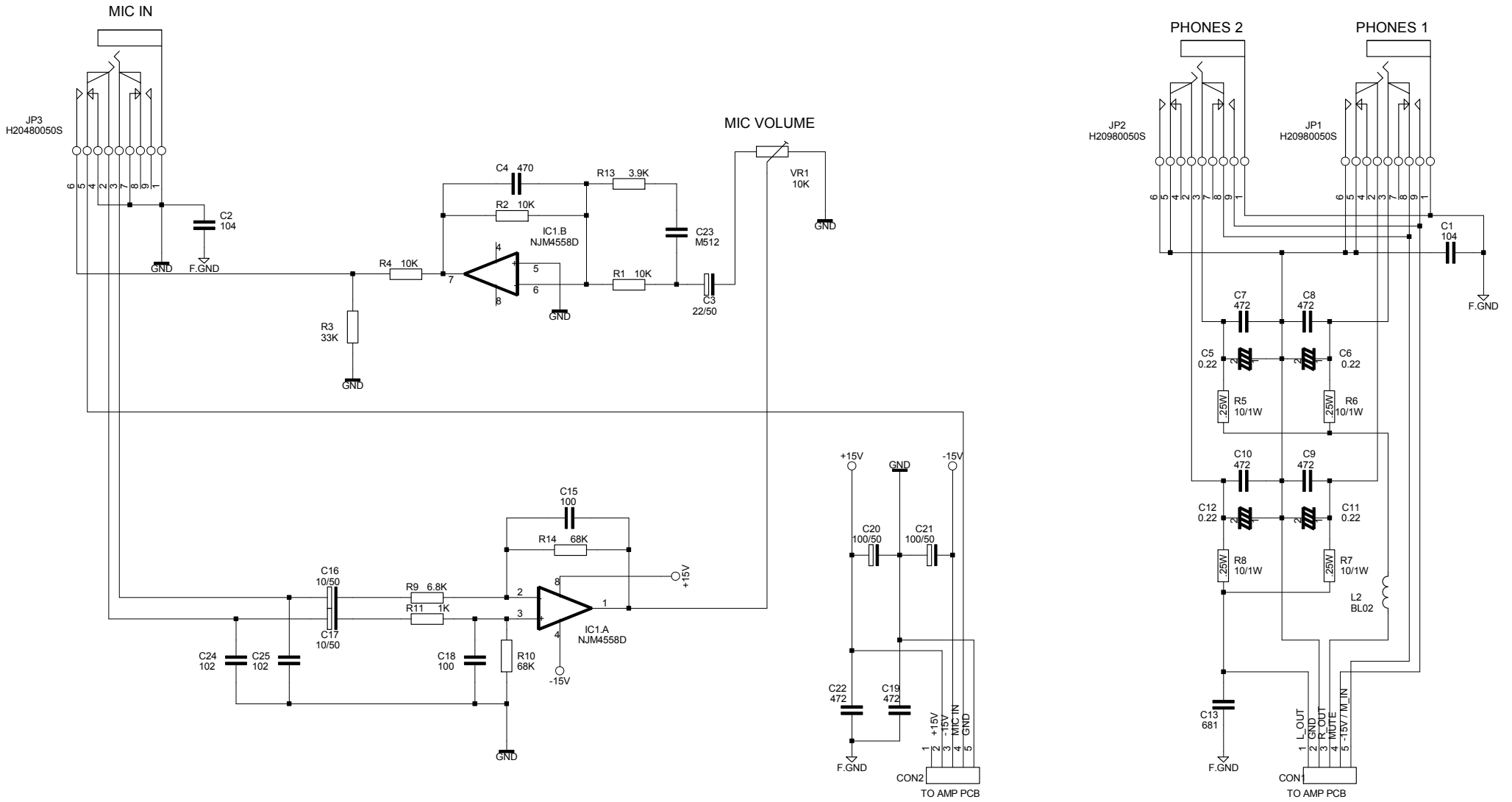
Title		<Title>
Size	Document Number	Rev
Custom:Doc		<RevC>
Date:	Wednesday, July 13, 2005	Sheet 1 of 1



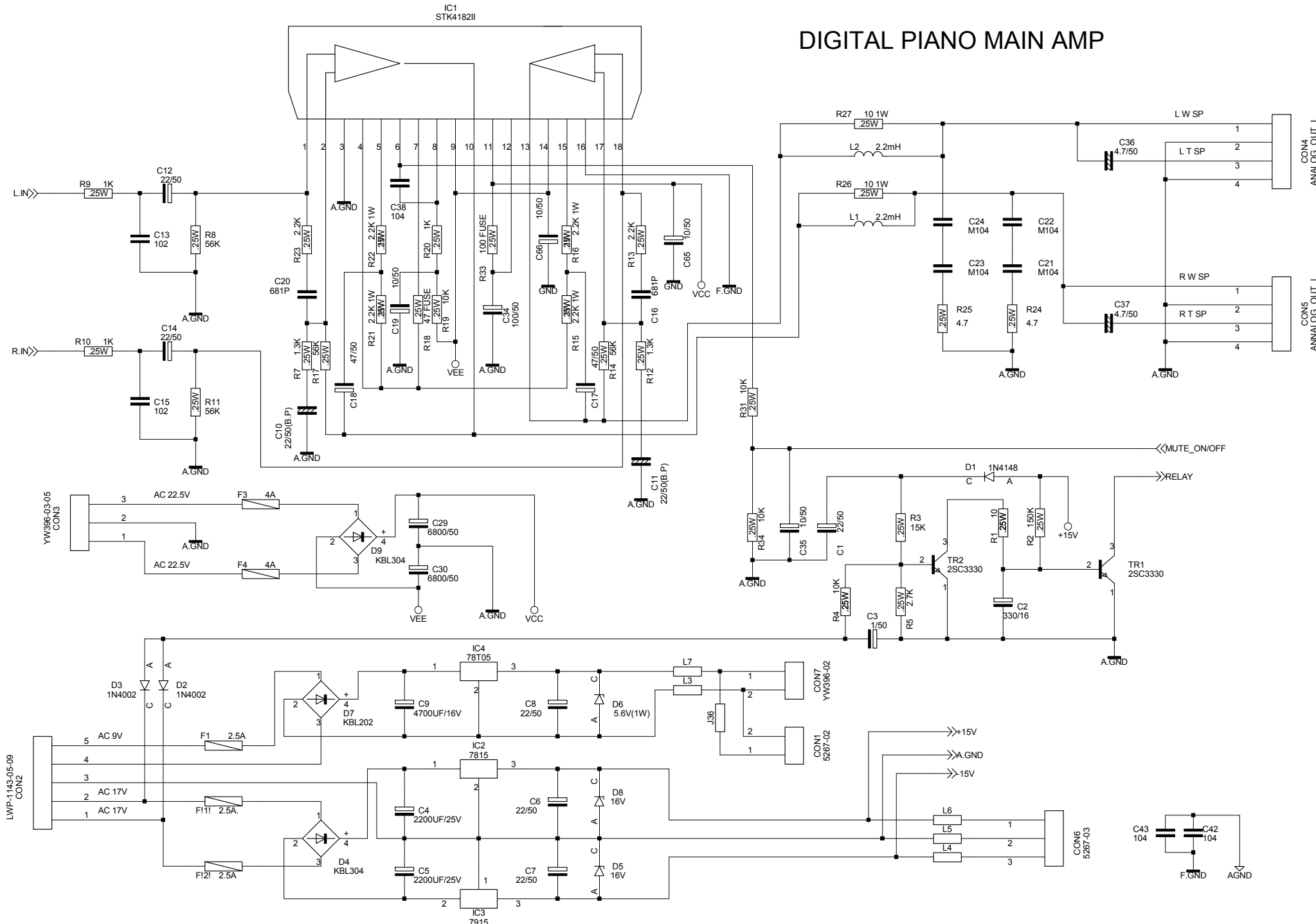
EQ
 REVERB
 CHORUS
 SENS1

Title		<Title>
Size	Document Number	Rev
Date:	Monday, March 21, 2005	<Rev>
Sheet	1 of 1	

MIC & HEAD PHONE PCB OF D/P

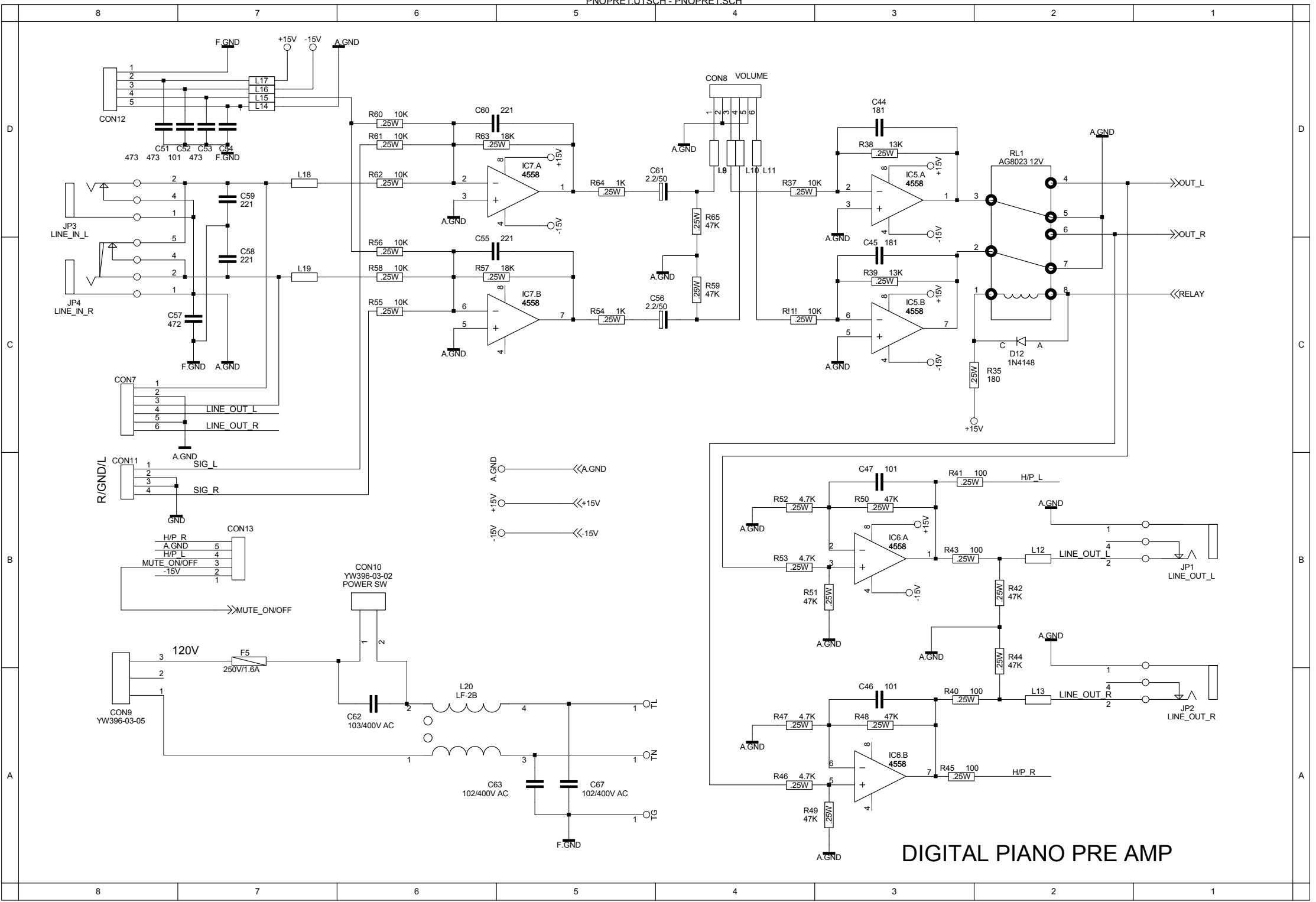


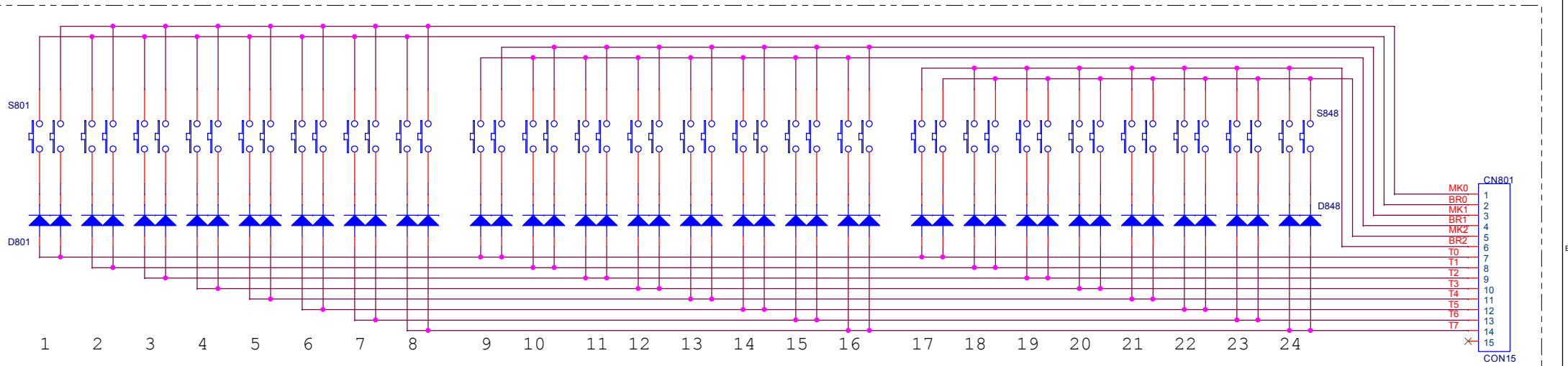
DIGITAL PIANO MAIN AMP



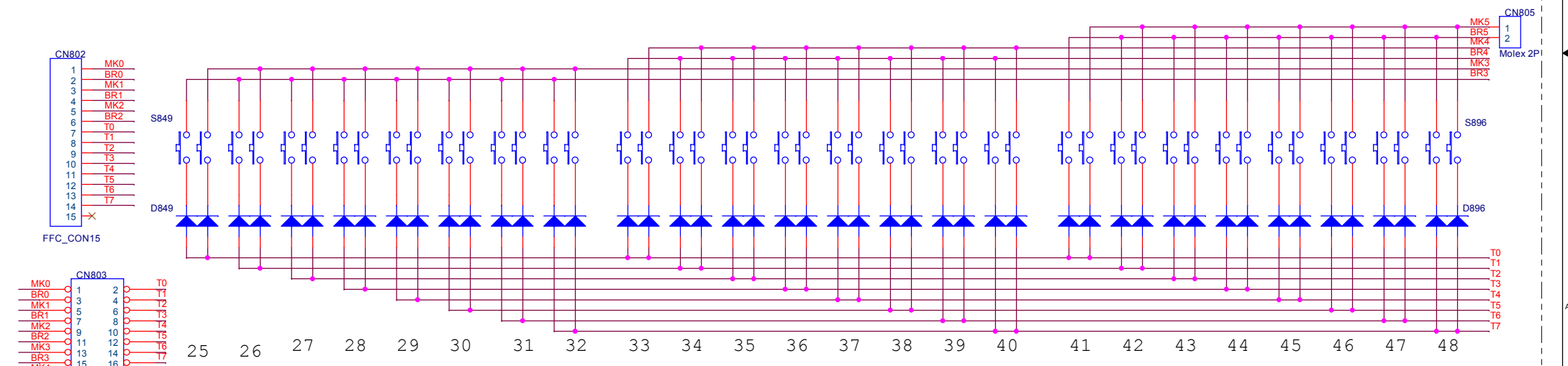
D
C
B
A

8 7 6 5 4 3 2 1



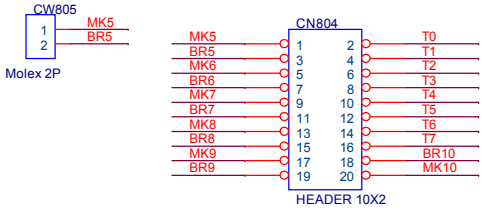
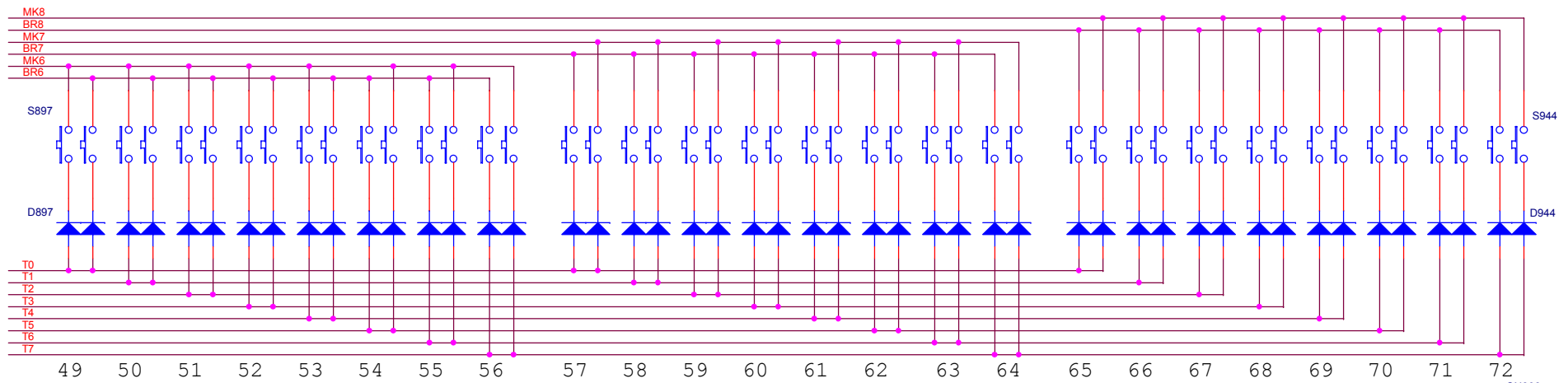


DPK01-1, (KEY1) 11896008



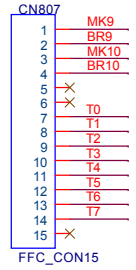
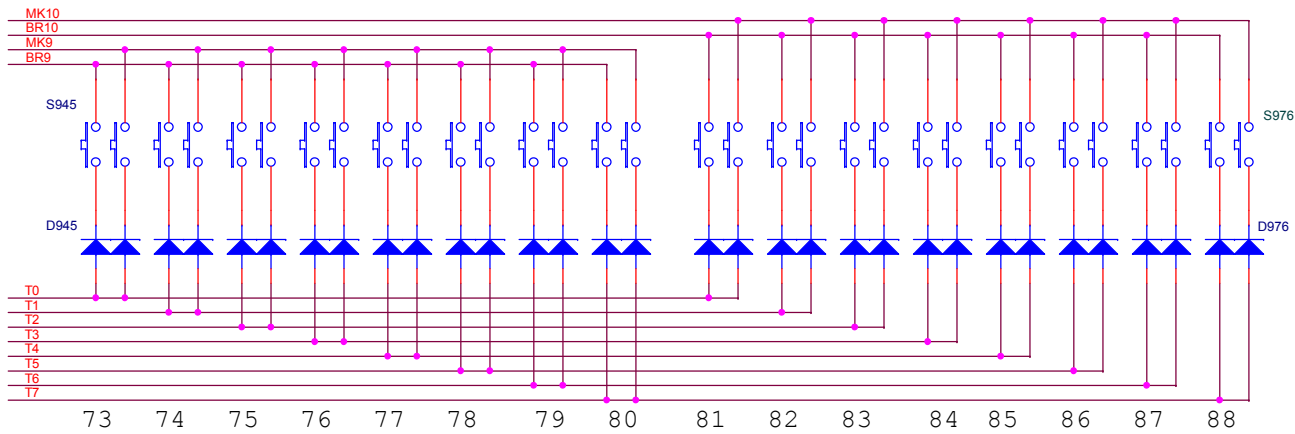
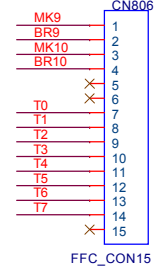
DPK01-2, (KEY2) 11896008

Title		
KEY88DP01(1,2)		
Size	Document Number	Rev
B		A
Date:	Tuesday, November 05, 2002	Sheet 2 of 1



DPK02-1 , (KEY3)

11896009



DPK02-2 , (KEY4)

11896009

Title		
KEY88DP01(3,4)		
Size	Document Number	Rev
B		A
Date:	Tuesday, November 05, 2002	Sheet 2 of 2

3. PCB LAYOUT

3.1 MAIN BOARD

3.2 SOUND BOARD

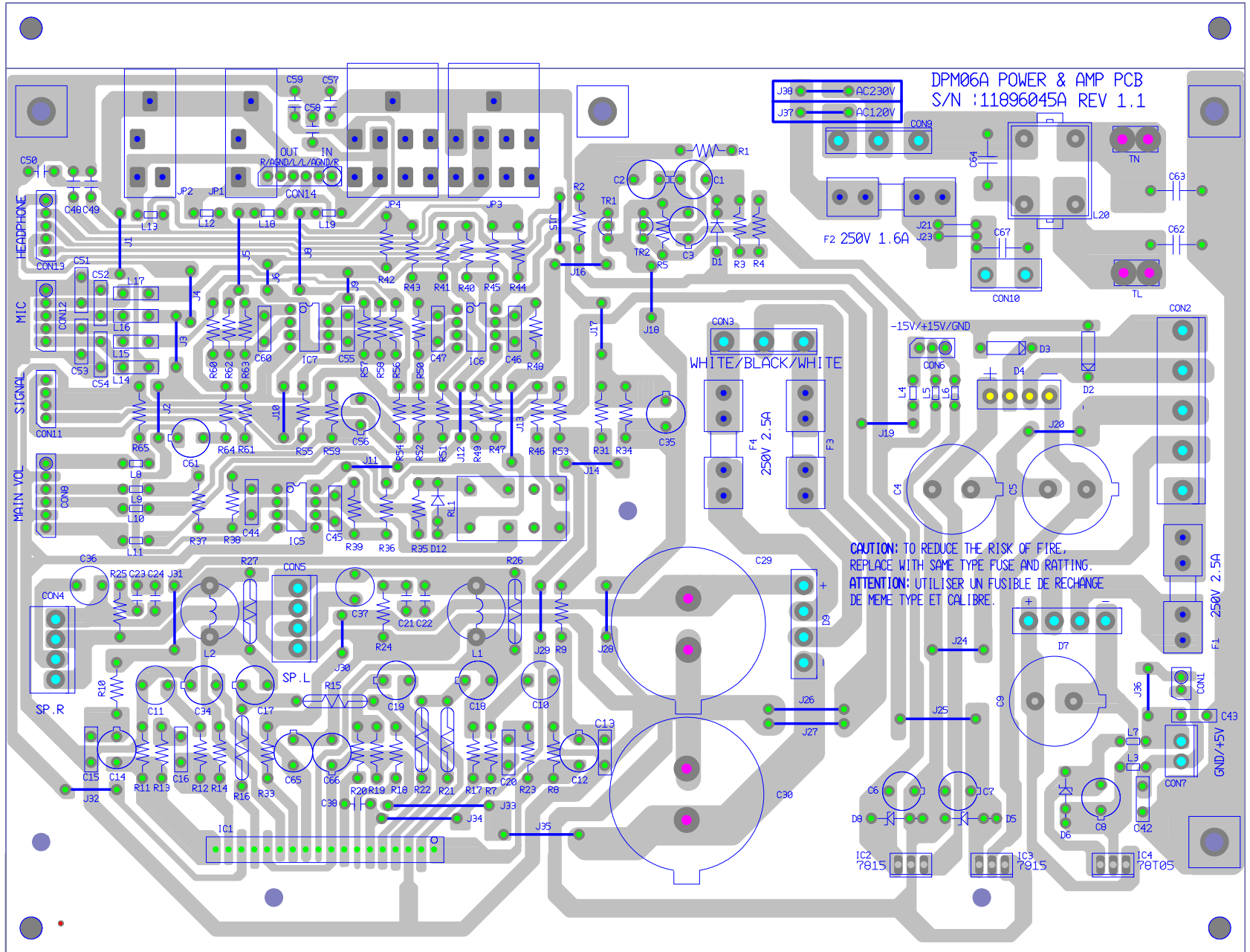
3.3 CONSOLE BOARD

3.4 KEY BOARD

3.5 JACK BOARD

3.6 MIC & HEADPHONE BOARD

3.7 PEDAL



DPM06A POWER & AMP PCB
S/N :11896045A REV 1.1

J38 AC230V
J37 AC120V

F2 250V 1.6A

WHITE/BLACK/WHITE

F4
250V 2.5A

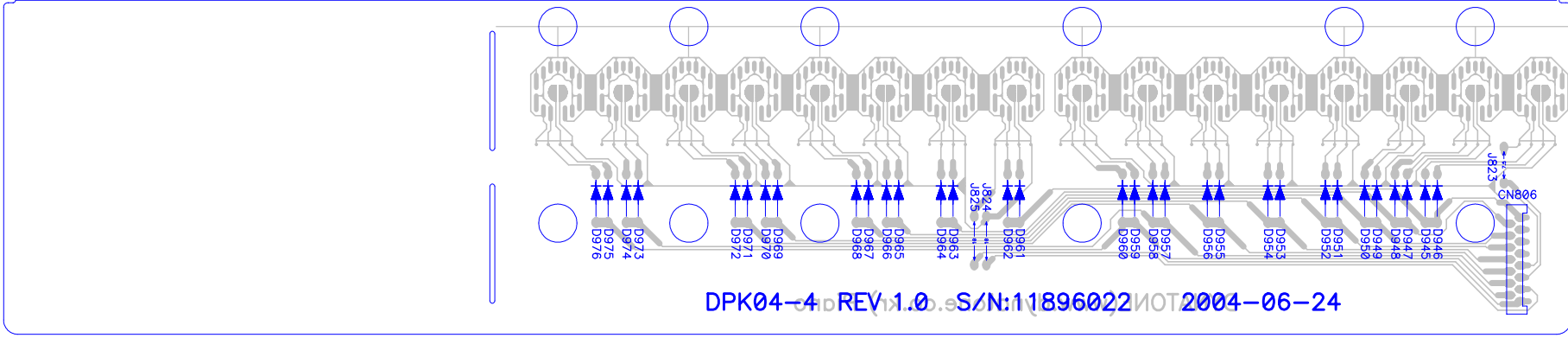
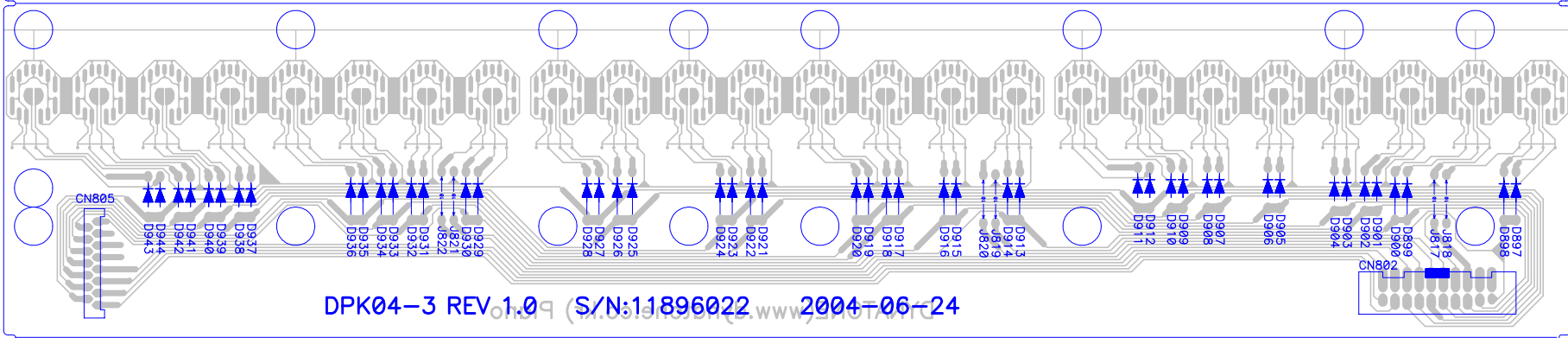
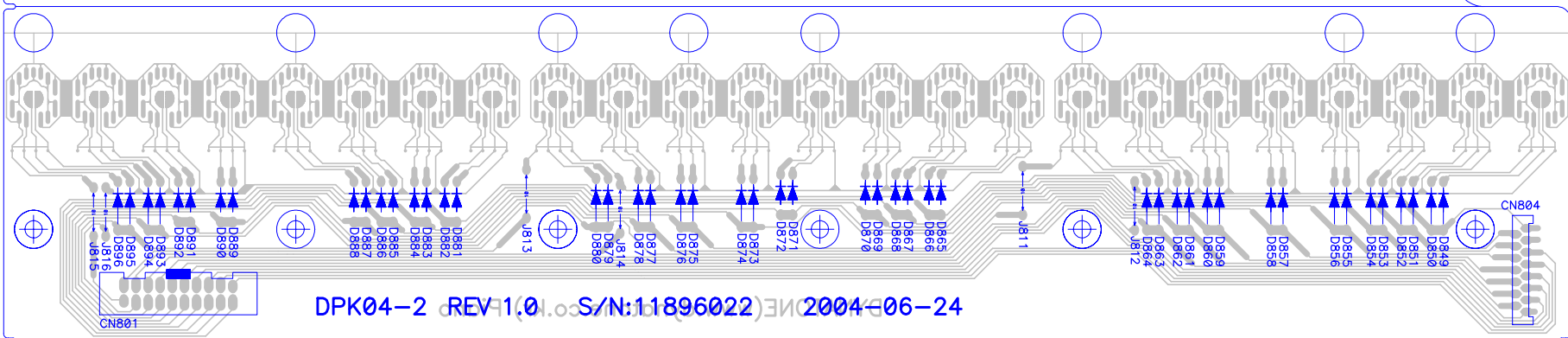
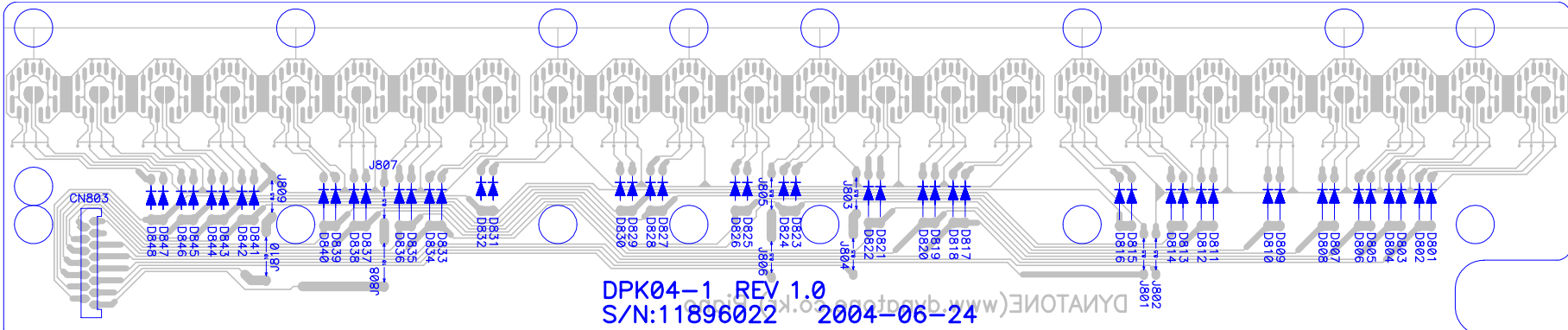
CAUTION: TO REDUCE THE RISK OF FIRE,
REPLACE WITH SAME TYPE FUSE AND RATING.
ATTENTION: UTILISER UN FUSIBLE DE RECHANGE
DE MEME TYPE ET CALIBRE.

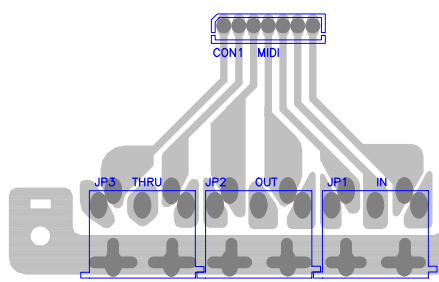
F1 250V 2.5A

IC2 7815

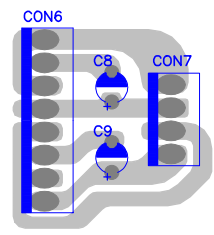
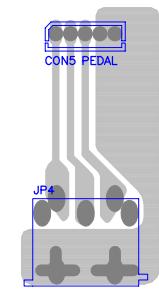
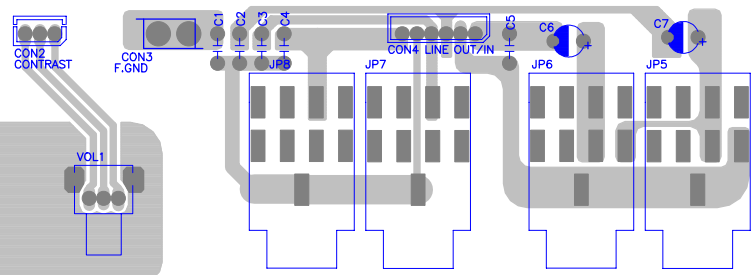
IC3 7915

IC4 78T05

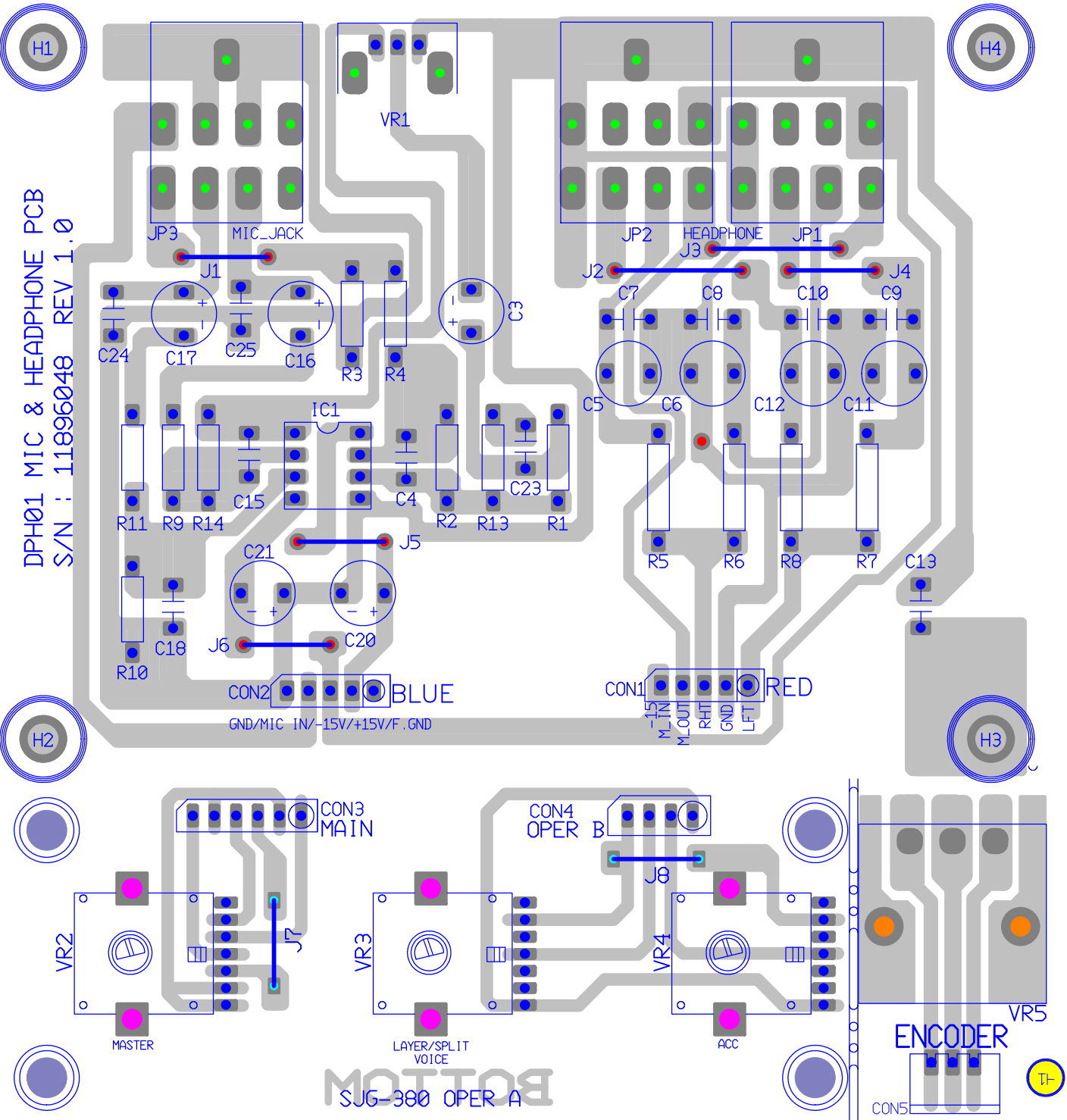




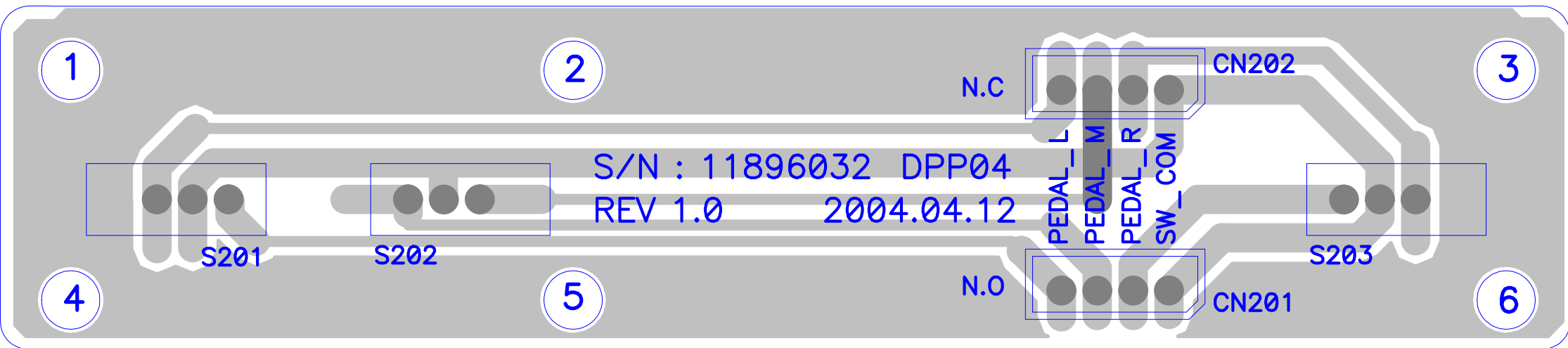
SJG-380 JACK PCB
DPJ02 S/N:11896047
Rev 1.0 2005-03-23



DPH01 MIC & HEADPHONE PCB
S/N : 11895048 REV 1.0



BOTTOM
SUG-380 OPER A



4. REPLACEMENT PARTS LIST

MAIN BOARD				
C29	12086044C	CHEMICAL CONDENSER, 50V/6800MF	P	1.00
C30	12086044C	CHEMICAL CONDENSER, 50V/6800MF	P	1.00
C4	12795222T	CHEMICON, 25V 2200MF 85C 16*25	P	1.00
C5	12795222T	CHEMICON, 25V 2200MF 85C 16*25	P	1.00
C62	12094474	CERAMIC CAP, AC400V 102	P	1.00
C63	12094474	CERAMIC CAP, AC400V 102	P	1.00
C64	12094171A	CERAMIC CAP, AC400V DA17ZF103ZCW	P	1.00
C67	12094474	CERAMIC CAP, AC400V 102	P	1.00
C9	12634472EC	CHEMICAL CONDENSER,25V 4700MF 16*36	P	1.00
CON1	11164121	PLUG, 2P 5267-02AX (LWB 0640-02)	P	1.00
CON10	11164656	PLUG, YW396-02-03	P	1.00
CON11	11164123	PLUG, 4P 5267-04AX	P	1.00
CON12	11164124	PLUG, 5P 5267-05AX (LWB 0640-05)	P	1.00
CON13	11164124	PLUG, 5P 5267-05AX (LWB 0640-05)	P	1.00
CON14	11164125	PLUG, 6P 5267-06AX (LWB 0640-06)	P	1.00
CON2	11164690	PLUG, LWP-1143-05-09	P	1.00
CON3	11164657	PLUG, YW396-03-05	P	1.00
CON4	11164702	CONNECTOR, 4PIN,3.96MM(FW1143-04)	P	1.00
CON5	11164702	CONNECTOR, 4PIN,3.96MM(FW1143-04)	P	1.00
CON6	11164122	PLUG, 3P 5267-03AX	P	1.00
CON7	11164655	PLUG, YW396-02	P	1.00
CON8	11164125	PLUG, 6P 5267-06AX (LWB 0640-06)	P	1.00
CON9	11164657	PLUG, YW396-03-05	P	1.00
D4	11115547	DIODE, BRIDGE 2.0A KBL202	P	1.00
D7	11115548	DIODE, BRIDGE 4.0A KBL304	P	1.00
D9	11115548	DIODE, BRIDGE 4.0A KBL304	P	1.00
F1A	11144193	FUSE, 250V 2.5A 5*20MM UL	P	1.00
F2A	11144194	FUSE, 250V 1.6A 5*20MM UL	P	1.00
F3A	11144193	FUSE, 250V 2.5A 5*20MM UL	P	1.00
F4A	11144193	FUSE, 250V 2.5A 5*20MM UL	P	1.00
I201J	11774308	SCREW, PB 3*0.5*8 SBN	P	2.00
I201Z	150520045	HEAT SINK, ASS'Y KIA7805P,STK4182II	P	1.00
I201A	11865906	HEAT SINK, 380	P	1.00
I201B	11971010	COMPOUND SILICON, YG6260	G	0.05
I201E	11052015	WASHER, 8*0.8T	P	5.00
I201F	11774308	SCREW, PB 3*0.5*8 SBN	P	3.00
I201G	11774316	SCREW, PB 3*0.5*16 SBN	P	2.00
IC1	11118270	IC,STK4182II AUDIO(45W+45W)SANYO	P	1.00
IC2	11119284	IC, REGU. 1[A] KIA7815API	P	1.00
IC3	11119285	IC, REGU. 1[A] KIA7915PI	P	1.00
IC4	11119282	IC, REGU. 1[A] KIA7805PI(7805API)	P	1.00
IC5	11119187	IC, DUAL OP AMP KIA75558P(KIA4558P)	P	1.00
IC6	11119187	IC, DUAL OP AMP KIA75558P(KIA4558P)	P	1.00
IC7	11119187	IC, DUAL OP AMP KIA75558P(KIA4558P)	P	1.00
L1	11251057	SPRING COIL, 0.8 0.7MH 15MM	P	1.00
L2	11251057	SPRING COIL, 0.8 0.7MH 15MM	P	1.00
L20	11211035	COIL CHOKE RF, PLAC1522ROR01B1	P	1.00
N110	11961025	SOLDER WIRE, 63SN 3.0MM	G	6.00
N111	11961024	SOLDER WIRE, ENERGIZED 63SN 1.6MM	G	1.50
N112	11961020	FLUX, JS-64T-3	G	3.00
N113	11964033	SOLVENT, IPA4520	G	7.00
R15	12322332S	OXIDE RESISTOR, B 1W 3.3K OHM J	P	1.00
R16	12322332S	OXIDE RESISTOR, B 1W 3.3K OHM J	P	1.00
R21	12322332S	OXIDE RESISTOR, B 1W 3.3K OHM J	P	1.00
R22	12322332S	OXIDE RESISTOR, B 1W 3.3K OHM J	P	1.00
R26	12322100S	OXIDE RESISTOR, B 1W 10 OHM J	P	1.00
R27	12322100S	OXIDE RESISTOR, B 1W 10 OHM J	P	1.00
RL1	11145280	RELAY, CY-12V	P	1.00

TL	11165054	TERMINAL, GP-881191	P	1.00
TN	11165054	TERMINAL, GP-881191	P	1.00
A001U	150190775	MAIN, AUTO POWER & AMP SJG-380	P	1.00
C1	12797220T	CHEMICON, 50V 22MF 85C 5*11	P	1.00
C10	12085044T	CHEMICON, 50V 22MF(BP)	P	1.00
C11	12085044T	CHEMICON, 50V 22MF(BP)	P	1.00
C12	12797220T	CHEMICON, 50V 22MF 85C 5*11	P	1.00
C13	12212471T	CERAMIC CAPACITOR, B 50V 470PF K	P	1.00
C14	12797220T	CHEMICON, 50V 22MF 85C 5*11	P	1.00
C15	12212471T	CERAMIC CAPACITOR, B 50V 470PF K	P	1.00
C16	12212681T	CERAMIC CAPACITOR, B 50V 680PF K	P	1.00
C17	12797470T	CHEMICON, 50V 47MF 85C 6.3*11	P	1.00
C18	12797470T	CHEMICON, 50V 47MF 85C 6.3*11	P	1.00
C19	12797100TC	CHEMICON, 50V 10MF 85C 5*11	P	1.00
C2	12794331T	CHEMICON, 16V 330MF 85C 8*12	P	1.00
C20	12212681T	CERAMIC CAPACITOR, B 50V 680PF K	P	1.00
C21	12692104T	PLASTIC CAPACITOR, M 50V 0.1MF J	P	1.00
C22	12692104T	PLASTIC CAPACITOR, M 50V 0.1MF J	P	1.00
C23	12692104T	PLASTIC CAPACITOR, M 50V 0.1MF J	P	1.00
C24	12692104T	PLASTIC CAPACITOR, M 50V 0.1MF J	P	1.00
C3	12636010T	CHEMICAL CONDENSER, 04W 50V 1MF	P	1.00
C34	12795101TC	CHEMICON, 25V 100MF 85C 6.3*11	P	1.00
C35	12797100TC	CHEMICON, 50V 10MF 85C 5*11	P	1.00
C36	12085045T	CHEMICON, 50V 6.8MF(BP)	P	1.00
C37	12085045T	CHEMICON, 50V 6.8MF(BP)	P	1.00
C38	12232104T	CERAMIC CAPACITOR, F 50V 0.1MF Z	P	1.00
C42	12232104T	CERAMIC CAPACITOR, F 50V 0.1MF Z	P	1.00
C43	12232104T	CERAMIC CAPACITOR, F 50V 0.1MF Z	P	1.00
C44	12212221T	CERAMIC CAPACITOR, B 50V 220PF K	P	1.00
C45	12212221T	CERAMIC CAPACITOR, B 50V 220PF K	P	1.00
C46	12436101T	CERAMIC CAPACITOR, SL 50V 100PF J	P	1.00
C47	12436101T	CERAMIC CAPACITOR, SL 50V 100PF J	P	1.00
C51	12212473T	CERAMIC CAPACITOR, B 50V 47NF J	P	1.00
C52	12212473T	CERAMIC CAPACITOR, B 50V 47NF J	P	1.00
C53	12436101T	CERAMIC CAPACITOR, SL 50V 100PF J	P	1.00
C54	12212473T	CERAMIC CAPACITOR, B 50V 47NF J	P	1.00
C55	12212681T	CERAMIC CAPACITOR, B 50V 680PF K	P	1.00
C56	12797479TC	CHEMICON, 50V 4.7MF 85C 5*11	P	1.00
C6	12797220T	CHEMICON, 50V 22MF 85C 5*11	P	1.00
C60	12212681T	CERAMIC CAPACITOR, B 50V 680PF K	P	1.00
C61	12797479TC	CHEMICON, 50V 4.7MF 85C 5*11	P	1.00
C65	12797100TC	CHEMICON, 50V 10MF 85C 5*11	P	1.00
C66	12797100TC	CHEMICON, 50V 10MF 85C 5*11	P	1.00
C7	12797220T	CHEMICON, 50V 22MF 85C 5*11	P	1.00
C8	12797220T	CHEMICON, 50V 22MF 85C 5*11	P	1.00
F1	11165037T	HOLDER, FUSE 5.2 (TAPPING)	P	2.00
F2	11165037T	HOLDER, FUSE 5.2 (TAPPING)	P	2.00
F3	11165037T	HOLDER, FUSE 5.2 (TAPPING)	P	2.00
F4	11165037T	HOLDER, FUSE 5.2 (TAPPING)	P	2.00
TR1	11114056T	TR, KTC1815-Y (KTC3198-Y)	P	1.00
TR2	11114056T	TR, KTC1815-Y (KTC3198-Y)	P	1.00
A001A	150290747	MAIN, AXIAL POWER & AMP SJG-380	P	1.00
D1	11115024T	SILICON DIODE, 1N4148	P	1.00
D12	11115024T	SILICON DIODE, 1N4148	P	1.00
D2	11115003T	SILICON DIODE, 1N4004	P	1.00
D3	11115003T	SILICON DIODE, 1N4004	P	1.00
D5	11115645T	ZD, 16V 0.5W	P	1.00
D8	11115645T	ZD, 16V 0.5W	P	1.00
J1	11183004	PLATING WIRE, 0.6MM	M	0.05
J10	11183004	PLATING WIRE, 0.6MM	M	0.05

J11	11183004	PLATING WIRE, 0.6MM	M	0.05
J12	11183004	PLATING WIRE, 0.6MM	M	0.05
J13	11183004	PLATING WIRE, 0.6MM	M	0.05
J14	11183004	PLATING WIRE, 0.6MM	M	0.05
J15	11183004	PLATING WIRE, 0.6MM	M	0.05
J16	11183004	PLATING WIRE, 0.6MM	M	0.05
J17	11183004	PLATING WIRE, 0.6MM	M	0.05
J18	11183004	PLATING WIRE, 0.6MM	M	0.05
J19	11183004	PLATING WIRE, 0.6MM	M	0.05
J2	11183004	PLATING WIRE, 0.6MM	M	0.05
J20	11183004	PLATING WIRE, 0.6MM	M	0.05
J21	11183004	PLATING WIRE, 0.6MM	M	0.05
J22	11183004	PLATING WIRE, 0.6MM	M	0.05
J23	11183004	PLATING WIRE, 0.6MM	M	0.05
J24	11183004	PLATING WIRE, 0.6MM	M	0.05
J25	11183004	PLATING WIRE, 0.6MM	M	0.05
J26	11183004	PLATING WIRE, 0.6MM	M	0.05
J27	11183004	PLATING WIRE, 0.6MM	M	0.05
J28	11183004	PLATING WIRE, 0.6MM	M	0.05
J29	11183004	PLATING WIRE, 0.6MM	M	0.05
J3	11183004	PLATING WIRE, 0.6MM	M	0.05
J30	11183004	PLATING WIRE, 0.6MM	M	0.05
J31	11183004	PLATING WIRE, 0.6MM	M	0.05
J32	11183004	PLATING WIRE, 0.6MM	M	0.05
J33	11183004	PLATING WIRE, 0.6MM	M	0.05
J34	11183004	PLATING WIRE, 0.6MM	M	0.05
J35	11183004	PLATING WIRE, 0.6MM	M	0.05
J36	11183004	PLATING WIRE, 0.6MM	M	0.05
J37	11183004	PLATING WIRE, 0.6MM	M	0.05
J4	11183004	PLATING WIRE, 0.6MM	M	0.05
J5	11183004	PLATING WIRE, 0.6MM	M	0.05
J6	11183004	PLATING WIRE, 0.6MM	M	0.05
J8	11183004	PLATING WIRE, 0.6MM	M	0.05
J9	11183004	PLATING WIRE, 0.6MM	M	0.05
L10	11183004	PLATING WIRE, 0.6MM	M	0.05
L11	11183004	PLATING WIRE, 0.6MM	M	0.05
L12	11183004	PLATING WIRE, 0.6MM	M	0.05
L13	11183004	PLATING WIRE, 0.6MM	M	0.05
L14	11183004	PLATING WIRE, 0.6MM	M	0.05
L15	11183004	PLATING WIRE, 0.6MM	M	0.05
L16	11183004	PLATING WIRE, 0.6MM	M	0.05
L17	11183004	PLATING WIRE, 0.6MM	M	0.05
L18	11183004	PLATING WIRE, 0.6MM	M	0.05
L19	11183004	PLATING WIRE, 0.6MM	M	0.05
L3	11183004	PLATING WIRE, 0.6MM	M	0.05
L4	11183004	PLATING WIRE, 0.6MM	M	0.05
L5	11183004	PLATING WIRE, 0.6MM	M	0.05
L6	11183004	PLATING WIRE, 0.6MM	M	0.05
L7	11183004	PLATING WIRE, 0.6MM	M	0.05
L8	11183004	PLATING WIRE, 0.6MM	M	0.05
L9	11183004	PLATING WIRE, 0.6MM	M	0.05
R1	12368100T	CARBON RESISTOR, SB 1/6W 10 OHM J	P	1.00
R10	12368102T	CARBON RESISTOR, SB 1/6W 1K OHM J	P	1.00
R11	12368563T	CARBON RESISTOR, SB 1/6W 56K OHM J	P	1.00
R12	12368122T	CARBON RESISTOR, SB 1/6W 1.2K OHM J	P	1.00
R13	12368222T	CARBON RESISTOR, SB 1/6W 2.2K OHM J	P	1.00
R14	12368563T	CARBON RESISTOR, SB 1/6W 56K OHM J	P	1.00
R17	12368563T	CARBON RESISTOR, SB 1/6W 56K OHM J	P	1.00
R18	12530470T	FUSE RESISTOR, RN A 1/4W 47 OHM J	P	1.00
R19	12368103T	CARBON RESISTOR, SB 1/6W 10K OHM J	P	1.00

R2	12368154T	CARBON RESISTOR, SB 1/6W 150K OHM J	P	1.00
R20	12368102T	CARBON RESISTOR, SB 1/6W 1K OHM J	P	1.00
R23	12368222T	CARBON RESISTOR, SB 1/6W 2.2K OHM J	P	1.00
R24	12368479T	CARBON RESISTOR, SB 1/6W 4.7 OHM J	P	1.00
R25	12368479T	CARBON RESISTOR, SB 1/6W 4.7 OHM J	P	1.00
R3	12368153T	CARBON RESISTOR, SB 1/6W 15K OHM J	P	1.00
R31	12368103T	CARBON RESISTOR, SB 1/6W 10K OHM J	P	1.00
R33	12530101T	FUSE RESISTOR, RN A 1/4W 100 OHM J	P	1.00
R34	12368103T	CARBON RESISTOR, SB 1/6W 10K OHM J	P	1.00
R35	12368181T	CARBON RESISTOR, SB 1/6W 180 OHM J	P	1.00
R36	12368562T	CARBON RESISTOR, SB 1/6W 5.6K OHM J	P	1.00
R37	12368562T	CARBON RESISTOR, SB 1/6W 5.6K OHM J	P	1.00
R38	12368133T	CARBON RESISTOR, SB 1/6W 13K OHM J	P	1.00
R39	12368133T	CARBON RESISTOR, SB 1/6W 13K OHM J	P	1.00
R4	12368103T	CARBON RESISTOR, SB 1/6W 10K OHM J	P	1.00
R40	12368101T	CARBON RESISTOR, SB 1/6W 100 OHM J	P	1.00
R41	12368101T	CARBON RESISTOR, SB 1/6W 100 OHM J	P	1.00
R42	12368473T	CARBON RESISTOR, SB 1/6W 47K OHM J	P	1.00
R43	12368103T	CARBON RESISTOR, SB 1/6W 10K OHM J	P	1.00
R44	12368473T	CARBON RESISTOR, SB 1/6W 47K OHM J	P	1.00
R45	12368103T	CARBON RESISTOR, SB 1/6W 10K OHM J	P	1.00
R46	12368472T	CARBON RESISTOR, SB 1/6W 4.7K OHM J	P	1.00
R47	12368472T	CARBON RESISTOR, SB 1/6W 4.7K OHM J	P	1.00
R48	12368473T	CARBON RESISTOR, SB 1/6W 47K OHM J	P	1.00
R49	12368473T	CARBON RESISTOR, SB 1/6W 47K OHM J	P	1.00
R5	12368272T	CARBON RESISTOR, SB 1/6W 2.7K OHM J	P	1.00
R50	12368473T	CARBON RESISTOR, SB 1/6W 47K OHM J	P	1.00
R51	12368473T	CARBON RESISTOR, SB 1/6W 47K OHM J	P	1.00
R52	12368562T	CARBON RESISTOR, SB 1/6W 5.6K OHM J	P	1.00
R53	12368472T	CARBON RESISTOR, SB 1/6W 4.7K OHM J	P	1.00
R54	12368102T	CARBON RESISTOR, SB 1/6W 1K OHM J	P	1.00
R55	12368103T	CARBON RESISTOR, SB 1/6W 10K OHM J	P	1.00
R56	12368103T	CARBON RESISTOR, SB 1/6W 10K OHM J	P	1.00
R57	12368223T	CARBON RESISTOR, SB 1/6W 22K OHM J	P	1.00
R58	12368103T	CARBON RESISTOR, SB 1/6W 10K OHM J	P	1.00
R59	12368473T	CARBON RESISTOR, SB 1/6W 47K OHM J	P	1.00
R60	12368103T	CARBON RESISTOR, SB 1/6W 10K OHM J	P	1.00
R61	12368822T	CARBON RESISTOR, SB 1/6W 8.2K OHM J	P	1.00
R62	12368103T	CARBON RESISTOR, SB 1/6W 10K OHM J	P	1.00
R63	12368123T	CARBON RESISTOR, SB 1/6W 12K OHM J	P	1.00
R64	12368102T	CARBON RESISTOR, SB 1/6W 1K OHM J	P	1.00
R65	12368473T	CARBON RESISTOR, SB 1/6W 47K OHM J	P	1.00
R7	12368122T	CARBON RESISTOR, SB 1/6W 1.2K OHM J	P	1.00
R8	12368563T	CARBON RESISTOR, SB 1/6W 56K OHM J	P	1.00
R9	12368102T	CARBON RESISTOR, SB 1/6W 1K OHM J	P	1.00
U1	11896045	PCB, DPM06 POWER & AMP SJG-380	P	1.00

SOUND BOARD				
A002U	150190776	AUTO, DPS11 SJG-380	P	1.00
C1	12797100TC	CHEMICON, 50V 10MF 85C 5*11	P	1.00
C17	12797100TC	CHEMICON, 50V 10MF 85C 5*11	P	1.00
C5	12795101TC	CHEMICON, 25V 100MF 85C 6.3*11	P	1.00
C55	12797100TC	CHEMICON, 50V 10MF 85C 5*11	P	1.00
C59	12797100TC	CHEMICON, 50V 10MF 85C 5*11	P	1.00
C6	12795221T	CHEMICON, 25V 220MF 85C 8*12	P	1.00
C60	12797100TC	CHEMICON, 50V 10MF 85C 5*11	P	1.00
C62	12797100TC	CHEMICON, 50V 10MF 85C 5*11	P	1.00
C74	12797100TC	CHEMICON, 50V 10MF 85C 5*11	P	1.00
C98	12797100TC	CHEMICON, 50V 10MF 85C 5*11	P	1.00

CON1	11164127	PLUG, 8P 5267-08AX (LWB 0640-08)	P	1.00
CON10	11164219	PLUG, 12P 5267-12AX (LWB 0640-12)	P	1.00
CON12	11165048	CONNECTOR, PIN HDR2.54 (2*10)	P	1.00
CON13	11165048	CONNECTOR, PIN HDR2.54 (2*10)	P	1.00
CON14	11165054	TERMINAL, GP-881191	P	1.00
CON17	11164126	PLUG, 7P 5267-07AX	P	1.00
CON2	11164695	CONNECTOR, BOXHDR BH01-34P-S/T	P	1.00
CON20	11164121	PLUG, 2P 5267-02AX (LWB 0640-02)	P	1.00
CON3	11164122	PLUG, 3P 5267-03AX	P	1.00
CON4	11164122	PLUG, 3P 5267-03AX	P	1.00
CON5	11164655	PLUG, YW396-02	P	1.00
CON6	11164123	PLUG, 4P 5267-04AX	P	1.00
CON7	11164124	PLUG, 5P 5267-05AX (LWB 0640-05)	P	1.00
CON8	11165052	HEADER, PIN26(26ST-2.54D)	P	1.00
D1	11115024T	SILICON DIODE, 1N4148	P	1.00
IC8	11116377	IC SOCKET, NIC 32S2.54 WSDIF-32T	P	1.00
IC8A	11119943	IC, AT27C040 OTP (512K*8BIT,90NS)	P	1.00
IC9	11116377	IC SOCKET, NIC 32S2.54 WSDIF-32T	P	1.00
IC9A	11119943	IC, AT27C040 OTP (512K*8BIT,90NS)	P	1.00
N110	11961025	SOLDER WIRE, 63SN 3.0MM	G	6.00
N111	11961024	SOLDER WIRE, ENERGIZED 63SN 1.6MM	G	1.50
N112	11961020	FLUX, JS-64T-3	G	1.00
N113	11964033	SOLVENT, IPA4520	G	7.00
R13	12322229S	OXIDE RESISTOR, B 1W 2.2 OHM J	P	1.00
RS1	12008010	NETWORK RESISTOR, 8A103J 10K*8	P	1.00
X1	11153140	CRYSTAL, OSC 32.00MHZ	P	1.00
X2	11153240	CRYSTAL, 12.2888MHZ 22 02-06(K)	P	1.00
X3	11153221	CRYSTAL, 24.00000MHZ 18PF-FD ATS 13	P	1.00
C10	12752103T	CHIP CERAMIC CAP, X7R 50V 0.01MF K	P	1.00
C11	12752103T	CHIP CERAMIC CAP, X7R 50V 0.01MF K	P	1.00
C12	12752103T	CHIP CERAMIC CAP, X7R 50V 0.01MF K	P	1.00
C13	12752103T	CHIP CERAMIC CAP, X7R 50V 0.01MF K	P	1.00
C14	12752103T	CHIP CERAMIC CAP, X7R 50V 0.01MF K	P	1.00
C15	12752103T	CHIP CERAMIC CAP, X7R 50V 0.01MF K	P	1.00
C16	12752103T	CHIP CERAMIC CAP, X7R 50V 0.01MF K	P	1.00
C18	12751101T	CHIP CERAMIC CAP, COG 50V 100PF J	P	1.00
C19	12751101T	CHIP CERAMIC CAP, COG 50V 100PF J	P	1.00
C20	12751101T	CHIP CERAMIC CAP, COG 50V 100PF J	P	1.00
C21	12751101T	CHIP CERAMIC CAP, COG 50V 100PF J	P	1.00
C22	12751101T	CHIP CERAMIC CAP, COG 50V 100PF J	P	1.00
C23	12751101T	CHIP CERAMIC CAP, COG 50V 100PF J	P	1.00
C24	12751101T	CHIP CERAMIC CAP, COG 50V 100PF J	P	1.00
C25	12751101T	CHIP CERAMIC CAP, COG 50V 100PF J	P	1.00
C26	12751101T	CHIP CERAMIC CAP, COG 50V 100PF J	P	1.00
C27	12751101T	CHIP CERAMIC CAP, COG 50V 100PF J	P	1.00
C28	12751101T	CHIP CERAMIC CAP, COG 50V 100PF J	P	1.00
C29	12751101T	CHIP CERAMIC CAP, COG 50V 100PF J	P	1.00
C3	12752104T	CHIP CERAMIC CAP, X7R 25V 0.1MF K	P	1.00
C30	12751101T	CHIP CERAMIC CAP, COG 50V 100PF J	P	1.00
C31	12751101T	CHIP CERAMIC CAP, COG 50V 100PF J	P	1.00
C32	12751101T	CHIP CERAMIC CAP, COG 50V 100PF J	P	1.00
C33	12751101T	CHIP CERAMIC CAP, COG 50V 100PF J	P	1.00
C34	12751101T	CHIP CERAMIC CAP, COG 50V 100PF J	P	1.00
C35	12751101T	CHIP CERAMIC CAP, COG 50V 100PF J	P	1.00
C36	12751101T	CHIP CERAMIC CAP, COG 50V 100PF J	P	1.00
C37	12751101T	CHIP CERAMIC CAP, COG 50V 100PF J	P	1.00
C38	12751101T	CHIP CERAMIC CAP, COG 50V 100PF J	P	1.00
C39	12751101T	CHIP CERAMIC CAP, COG 50V 100PF J	P	1.00
C4	12752104T	CHIP CERAMIC CAP, X7R 25V 0.1MF K	P	1.00
C40	12751101T	CHIP CERAMIC CAP, COG 50V 100PF J	P	1.00

C41	12751101T	CHIP CERAMIC CAP, COG 50V 100PF J	P	1.00
C42	12751101T	CHIP CERAMIC CAP, COG 50V 100PF J	P	1.00
C43	12751101T	CHIP CERAMIC CAP, COG 50V 100PF J	P	1.00
C44	12751101T	CHIP CERAMIC CAP, COG 50V 100PF J	P	1.00
C45	12751101T	CHIP CERAMIC CAP, COG 50V 100PF J	P	1.00
C46	12751101T	CHIP CERAMIC CAP, COG 50V 100PF J	P	1.00
C47	12751101T	CHIP CERAMIC CAP, COG 50V 100PF J	P	1.00
C48	12751101T	CHIP CERAMIC CAP, COG 50V 100PF J	P	1.00
C49	12751101T	CHIP CERAMIC CAP, COG 50V 100PF J	P	1.00
C50	12751101T	CHIP CERAMIC CAP, COG 50V 100PF J	P	1.00
C51	12751101T	CHIP CERAMIC CAP, COG 50V 100PF J	P	1.00
C52	12751101T	CHIP CERAMIC CAP, COG 50V 100PF J	P	1.00
C53	12751101T	CHIP CERAMIC CAP, COG 50V 100PF J	P	1.00
C54	12751101T	CHIP CERAMIC CAP, COG 50V 100PF J	P	1.00
C56	12751221T	CHIP CERAMIC CAP, COG 50V 220PF J	P	1.00
C57	12751220T	CHIP CERAMIC CAP, COG 50V 22PF J	P	1.00
C58	12751220T	CHIP CERAMIC CAP, COG 50V 22PF J	P	1.00
C61	12752104T	CHIP CERAMIC CAP, X7R 25V 0.1MF K	P	1.00
C63	12751101T	CHIP CERAMIC CAP, COG 50V 100PF J	P	1.00
C64	12751101T	CHIP CERAMIC CAP, COG 50V 100PF J	P	1.00
C65	12751471T	CHIP CERAMIC CAP, COG 50V 470PF J	P	1.00
C66	12751101T	CHIP CERAMIC CAP, COG 50V 100PF J	P	1.00
C67	12751101T	CHIP CERAMIC CAP, COG 50V 100PF J	P	1.00
C69	12751221T	CHIP CERAMIC CAP, COG 50V 220PF J	P	1.00
C7	12751101T	CHIP CERAMIC CAP, COG 50V 100PF J	P	1.00
C70	12751471T	CHIP CERAMIC CAP, COG 50V 470PF J	P	1.00
C71	12752222T	CHIP CERAMIC CAP, X7R 50V 2200PF K	P	1.00
C72	12752222T	CHIP CERAMIC CAP, X7R 50V 2200PF K	P	1.00
C73	12751471T	CHIP CERAMIC CAP, COG 50V 470PF J	P	1.00
C76	12751101T	CHIP CERAMIC CAP, COG 50V 100PF J	P	1.00
C77	12752103T	CHIP CERAMIC CAP, X7R 50V 0.01MF K	P	1.00
C78	12751101T	CHIP CERAMIC CAP, COG 50V 100PF J	P	1.00
C79	12751101T	CHIP CERAMIC CAP, COG 50V 100PF J	P	1.00
C8	12751101T	CHIP CERAMIC CAP, COG 50V 100PF J	P	1.00
C80	12751101T	CHIP CERAMIC CAP, COG 50V 100PF J	P	1.00
C81	12751101T	CHIP CERAMIC CAP, COG 50V 100PF J	P	1.00
C82	12751101T	CHIP CERAMIC CAP, COG 50V 100PF J	P	1.00
C83	12751101T	CHIP CERAMIC CAP, COG 50V 100PF J	P	1.00
C84	12751101T	CHIP CERAMIC CAP, COG 50V 100PF J	P	1.00
C85	12751101T	CHIP CERAMIC CAP, COG 50V 100PF J	P	1.00
C86	12751101T	CHIP CERAMIC CAP, COG 50V 100PF J	P	1.00
C87	12751101T	CHIP CERAMIC CAP, COG 50V 100PF J	P	1.00
C88	12751101T	CHIP CERAMIC CAP, COG 50V 100PF J	P	1.00
C89	12751101T	CHIP CERAMIC CAP, COG 50V 100PF J	P	1.00
C9	12752103T	CHIP CERAMIC CAP, X7R 50V 0.01MF K	P	1.00
C90	12751101T	CHIP CERAMIC CAP, COG 50V 100PF J	P	1.00
C91	12751101T	CHIP CERAMIC CAP, COG 50V 100PF J	P	1.00
C92	12751101T	CHIP CERAMIC CAP, COG 50V 100PF J	P	1.00
C93	12751101T	CHIP CERAMIC CAP, COG 50V 100PF J	P	1.00
C94	12752222T	CHIP CERAMIC CAP, X7R 50V 2200PF K	P	1.00
C95	12751220T	CHIP CERAMIC CAP, COG 50V 22PF J	P	1.00
C96	12751220T	CHIP CERAMIC CAP, COG 50V 22PF J	P	1.00
C99	12752104T	CHIP CERAMIC CAP, X7R 25V 0.1MF K	P	1.00
CC1	12752104T	CHIP CERAMIC CAP, X7R 25V 0.1MF K	P	1.00
CC10	12752104T	CHIP CERAMIC CAP, X7R 25V 0.1MF K	P	1.00
CC11	12752104T	CHIP CERAMIC CAP, X7R 25V 0.1MF K	P	1.00
CC12	12752104T	CHIP CERAMIC CAP, X7R 25V 0.1MF K	P	1.00
CC13	12752104T	CHIP CERAMIC CAP, X7R 25V 0.1MF K	P	1.00
CC14	12752104T	CHIP CERAMIC CAP, X7R 25V 0.1MF K	P	1.00
CC15	12752104T	CHIP CERAMIC CAP, X7R 25V 0.1MF K	P	1.00

CC16	12752104T	CHIP CERAMIC CAP, X7R 25V 0.1MF K	P	1.00
CC17	12752104T	CHIP CERAMIC CAP, X7R 25V 0.1MF K	P	1.00
CC18	12752104T	CHIP CERAMIC CAP, X7R 25V 0.1MF K	P	1.00
CC19	12752104T	CHIP CERAMIC CAP, X7R 25V 0.1MF K	P	1.00
CC2	12752104T	CHIP CERAMIC CAP, X7R 25V 0.1MF K	P	1.00
CC20	12752104T	CHIP CERAMIC CAP, X7R 25V 0.1MF K	P	1.00
CC21	12752104T	CHIP CERAMIC CAP, X7R 25V 0.1MF K	P	1.00
CC22	12752104T	CHIP CERAMIC CAP, X7R 25V 0.1MF K	P	1.00
CC23	12752104T	CHIP CERAMIC CAP, X7R 25V 0.1MF K	P	1.00
CC24	12752104T	CHIP CERAMIC CAP, X7R 25V 0.1MF K	P	1.00
CC25	12752104T	CHIP CERAMIC CAP, X7R 25V 0.1MF K	P	1.00
CC26	12752104T	CHIP CERAMIC CAP, X7R 25V 0.1MF K	P	1.00
CC27	12752104T	CHIP CERAMIC CAP, X7R 25V 0.1MF K	P	1.00
CC28	12752104T	CHIP CERAMIC CAP, X7R 25V 0.1MF K	P	1.00
CC29	12752104T	CHIP CERAMIC CAP, X7R 25V 0.1MF K	P	1.00
CC3	12752104T	CHIP CERAMIC CAP, X7R 25V 0.1MF K	P	1.00
CC30	12752104T	CHIP CERAMIC CAP, X7R 25V 0.1MF K	P	1.00
CC31	12752104T	CHIP CERAMIC CAP, X7R 25V 0.1MF K	P	1.00
CC32	12752104T	CHIP CERAMIC CAP, X7R 25V 0.1MF K	P	1.00
CC33	12752104T	CHIP CERAMIC CAP, X7R 25V 0.1MF K	P	1.00
CC34	12752104T	CHIP CERAMIC CAP, X7R 25V 0.1MF K	P	1.00
CC35	12752104T	CHIP CERAMIC CAP, X7R 25V 0.1MF K	P	1.00
CC36	12752104T	CHIP CERAMIC CAP, X7R 25V 0.1MF K	P	1.00
CC37	12752104T	CHIP CERAMIC CAP, X7R 25V 0.1MF K	P	1.00
CC38	12752104T	CHIP CERAMIC CAP, X7R 25V 0.1MF K	P	1.00
CC39	12752104T	CHIP CERAMIC CAP, X7R 25V 0.1MF K	P	1.00
CC4	12752104T	CHIP CERAMIC CAP, X7R 25V 0.1MF K	P	1.00
CC40	12752104T	CHIP CERAMIC CAP, X7R 25V 0.1MF K	P	1.00
CC41	12752104T	CHIP CERAMIC CAP, X7R 25V 0.1MF K	P	1.00
CC5	12752104T	CHIP CERAMIC CAP, X7R 25V 0.1MF K	P	1.00
CC6	12752104T	CHIP CERAMIC CAP, X7R 25V 0.1MF K	P	1.00
CC7	12752104T	CHIP CERAMIC CAP, X7R 25V 0.1MF K	P	1.00
CC8	12752104T	CHIP CERAMIC CAP, X7R 25V 0.1MF K	P	1.00
CC9	12752104T	CHIP CERAMIC CAP, X7R 25V 0.1MF K	P	1.00
IC1	11118343	IC, SRAM IS41C16257-60K	P	1.00
IC11	11119700	IC, RESET KIA7042AF SOT-89	P	1.00
IC12	11118345	IC, GM32C803C PRIME 3C	P	1.00
IC13	11119861	IC, PHOTO COUPLER PC900V0NSZX	P	1.00
IC2	11118344	IC, S3C3400X01(KS17C400)-QAR0	P	1.00
IC20	11119915T	IC, PHILIPS 74HC14D(T) 1K TP	P	1.00
IC21	11118342	IC, AT93C66	P	1.00
IC22	11118341	IC, GMS90C52 MASK	P	1.00
IC23	11119993T	IC, 74HC244 SOP 1K/TP	P	1.00
IC25	11118334A	IC,DYNATONE 128M ROM3 SOP-44	P	1.00
IC26	11118331	IC, SRAM IDT71V016 PH TSOP2	P	1.00
IC27	11118328	IC, SOUND ENGINE SAM9708 TQFP144	P	1.00
IC3	11119915T	IC, PHILIPS 74HC14D(T) 1K TP	P	1.00
IC4	11118313	IC,DAC AK4384VT-E2(24BIT 2CH)SOP-16	P	1.00
IC5	11118000T	IC, OP AMP KIA4558F(FLP-8) KEC	P	1.00
IC6	11119905	IC, TTL 74HC138D SOP16	P	1.00
IC7	11119391	IC, REGU. 1.0A KIA78D33F DPAK	P	1.00
R1	12873103T	CHIP RES, 1/16W 10K OHM J(1608)	P	1.00
R10	12873221T	CHIP RES, 1/16W 220 OHM J (1608)	P	1.00
R100	12873331T	CHIP RES, 1/16W 330 OHM J(1608)	P	1.00
R101	12873331T	CHIP RES, 1/16W 330 OHM J(1608)	P	1.00
R102	12873331T	CHIP RES, 1/16W 330 OHM J(1608)	P	1.00
R103	12873102T	CHIP RES, 1/16W 1K OHM J(1608)	P	1.00
R105	12873470T	CHIP RES, 1/16W 47 OHM J (1608)	P	1.00
R106	12873470T	CHIP RES, 1/16W 47 OHM J (1608)	P	1.00
R107	12873470T	CHIP RES, 1/16W 47 OHM J (1608)	P	1.00

R108	12873470T	CHIP RES, 1/16W 47 OHM J (1608)	P	1.00
R109	12873102T	CHIP RES, 1/16W 1K OHM J(1608)	P	1.00
R11	12873221T	CHIP RES, 1/16W 220 OHM J (1608)	P	1.00
R110	12873102T	CHIP RES, 1/16W 1K OHM J(1608)	P	1.00
R111	12873222T	CHIP RES, 1/16W 2.2K OHM J (1608)	P	1.00
R112	12873470T	CHIP RES, 1/16W 47 OHM J (1608)	P	1.00
R113	12873103T	CHIP RES, 1/16W 10K OHM J(1608)	P	1.00
R114	12873470T	CHIP RES, 1/16W 47 OHM J (1608)	P	1.00
R115	12873470T	CHIP RES, 1/16W 47 OHM J (1608)	P	1.00
R116	12873470T	CHIP RES, 1/16W 47 OHM J (1608)	P	1.00
R117	12873470T	CHIP RES, 1/16W 47 OHM J (1608)	P	1.00
R118	12873470T	CHIP RES, 1/16W 47 OHM J (1608)	P	1.00
R119	12873470T	CHIP RES, 1/16W 47 OHM J (1608)	P	1.00
R12	12873102T	CHIP RES, 1/16W 1K OHM J(1608)	P	1.00
R120	12873103T	CHIP RES, 1/16W 10K OHM J(1608)	P	1.00
R121	12873470T	CHIP RES, 1/16W 47 OHM J (1608)	P	1.00
R122	12873103T	CHIP RES, 1/16W 10K OHM J(1608)	P	1.00
R123	12873470T	CHIP RES, 1/16W 47 OHM J (1608)	P	1.00
R124	12873470T	CHIP RES, 1/16W 47 OHM J (1608)	P	1.00
R125	12873470T	CHIP RES, 1/16W 47 OHM J (1608)	P	1.00
R126	12873470T	CHIP RES, 1/16W 47 OHM J (1608)	P	1.00
R127	12873470T	CHIP RES, 1/16W 47 OHM J (1608)	P	1.00
R128	12873470T	CHIP RES, 1/16W 47 OHM J (1608)	P	1.00
R129	12873470T	CHIP RES, 1/16W 47 OHM J (1608)	P	1.00
R130	12873470T	CHIP RES, 1/16W 47 OHM J (1608)	P	1.00
R131	12873470T	CHIP RES, 1/16W 47 OHM J (1608)	P	1.00
R132	12873470T	CHIP RES, 1/16W 47 OHM J (1608)	P	1.00
R133	12873470T	CHIP RES, 1/16W 47 OHM J (1608)	P	1.00
R134	12873470T	CHIP RES, 1/16W 47 OHM J (1608)	P	1.00
R135	12873470T	CHIP RES, 1/16W 47 OHM J (1608)	P	1.00
R136	12873470T	CHIP RES, 1/16W 47 OHM J (1608)	P	1.00
R137	12873470T	CHIP RES, 1/16W 47 OHM J (1608)	P	1.00
R138	12873470T	CHIP RES, 1/16W 47 OHM J (1608)	P	1.00
R139	12873222T	CHIP RES, 1/16W 2.2K OHM J (1608)	P	1.00
R140	12873103T	CHIP RES, 1/16W 10K OHM J(1608)	P	1.00
R141	12873103T	CHIP RES, 1/16W 10K OHM J(1608)	P	1.00
R142	12873103T	CHIP RES, 1/16W 10K OHM J(1608)	P	1.00
R143	12873103T	CHIP RES, 1/16W 10K OHM J(1608)	P	1.00
R144	12873470T	CHIP RES, 1/16W 47 OHM J (1608)	P	1.00
R145	12873470T	CHIP RES, 1/16W 47 OHM J (1608)	P	1.00
R146	12873470T	CHIP RES, 1/16W 47 OHM J (1608)	P	1.00
R147	12873470T	CHIP RES, 1/16W 47 OHM J (1608)	P	1.00
R148	12873103T	CHIP RES, 1/16W 10K OHM J(1608)	P	1.00
R149	12873103T	CHIP RES, 1/16W 10K OHM J(1608)	P	1.00
R15	12873562T	CHIP RES, 1/16W 5.6K OHM J(1608)	P	1.00
R150	12873103T	CHIP RES, 1/16W 10K OHM J(1608)	P	1.00
R151	12873101T	CHIP RES, 1/16W 100 OHM J(1608)	P	1.00
R152	12873103T	CHIP RES, 1/16W 10K OHM J(1608)	P	1.00
R153	12873103T	CHIP RES, 1/16W 10K OHM J(1608)	P	1.00
R154	12873000T	CHIP RES, 1/16W 0 OHM J(1608)	P	1.00
R155	12873000T	CHIP RES, 1/16W 0 OHM J(1608)	P	1.00
R17	12873470T	CHIP RES, 1/16W 47 OHM J (1608)	P	1.00
R18	12873470T	CHIP RES, 1/16W 47 OHM J (1608)	P	1.00
R19	12873103T	CHIP RES, 1/16W 10K OHM J(1608)	P	1.00
R2	12873562T	CHIP RES, 1/16W 5.6K OHM J(1608)	P	1.00
R20	12873103T	CHIP RES, 1/16W 10K OHM J(1608)	P	1.00
R21	12873103T	CHIP RES, 1/16W 10K OHM J(1608)	P	1.00
R22	12873470T	CHIP RES, 1/16W 47 OHM J (1608)	P	1.00
R23	12873470T	CHIP RES, 1/16W 47 OHM J (1608)	P	1.00
R24	12873102T	CHIP RES, 1/16W 1K OHM J(1608)	P	1.00

R25	12873470T	CHIP RES, 1/16W 47 OHM J (1608)	P	1.00
R26	12873470T	CHIP RES, 1/16W 47 OHM J (1608)	P	1.00
R27	12873470T	CHIP RES, 1/16W 47 OHM J (1608)	P	1.00
R28	12873470T	CHIP RES, 1/16W 47 OHM J (1608)	P	1.00
R29	12873470T	CHIP RES, 1/16W 47 OHM J (1608)	P	1.00
R3	12873470T	CHIP RES, 1/16W 47 OHM J (1608)	P	1.00
R30	12873470T	CHIP RES, 1/16W 47 OHM J (1608)	P	1.00
R31	12873470T	CHIP RES, 1/16W 47 OHM J (1608)	P	1.00
R32	12873470T	CHIP RES, 1/16W 47 OHM J (1608)	P	1.00
R33	12873470T	CHIP RES, 1/16W 47 OHM J (1608)	P	1.00
R34	12873470T	CHIP RES, 1/16W 47 OHM J (1608)	P	1.00
R35	12873470T	CHIP RES, 1/16W 47 OHM J (1608)	P	1.00
R36	12873470T	CHIP RES, 1/16W 47 OHM J (1608)	P	1.00
R37	12873470T	CHIP RES, 1/16W 47 OHM J (1608)	P	1.00
R38	12873470T	CHIP RES, 1/16W 47 OHM J (1608)	P	1.00
R39	12873470T	CHIP RES, 1/16W 47 OHM J (1608)	P	1.00
R4	12873221T	CHIP RES, 1/16W 220 OHM J (1608)	P	1.00
R40	12873470T	CHIP RES, 1/16W 47 OHM J (1608)	P	1.00
R41	12873470T	CHIP RES, 1/16W 47 OHM J (1608)	P	1.00
R42	12873470T	CHIP RES, 1/16W 47 OHM J (1608)	P	1.00
R43	12873470T	CHIP RES, 1/16W 47 OHM J (1608)	P	1.00
R44	12873470T	CHIP RES, 1/16W 47 OHM J (1608)	P	1.00
R45	12873470T	CHIP RES, 1/16W 47 OHM J (1608)	P	1.00
R46	12873470T	CHIP RES, 1/16W 47 OHM J (1608)	P	1.00
R47	12873470T	CHIP RES, 1/16W 47 OHM J (1608)	P	1.00
R48	12873470T	CHIP RES, 1/16W 47 OHM J (1608)	P	1.00
R49	12873470T	CHIP RES, 1/16W 47 OHM J (1608)	P	1.00
R5	12873221T	CHIP RES, 1/16W 220 OHM J (1608)	P	1.00
R50	12873470T	CHIP RES, 1/16W 47 OHM J (1608)	P	1.00
R51	12873470T	CHIP RES, 1/16W 47 OHM J (1608)	P	1.00
R52	12873470T	CHIP RES, 1/16W 47 OHM J (1608)	P	1.00
R53	12873470T	CHIP RES, 1/16W 47 OHM J (1608)	P	1.00
R54	12873470T	CHIP RES, 1/16W 47 OHM J (1608)	P	1.00
R55	12873470T	CHIP RES, 1/16W 47 OHM J (1608)	P	1.00
R56	12873470T	CHIP RES, 1/16W 47 OHM J (1608)	P	1.00
R57	12873470T	CHIP RES, 1/16W 47 OHM J (1608)	P	1.00
R58	12873470T	CHIP RES, 1/16W 47 OHM J (1608)	P	1.00
R59	12873470T	CHIP RES, 1/16W 47 OHM J (1608)	P	1.00
R6	12873221T	CHIP RES, 1/16W 220 OHM J (1608)	P	1.00
R60	12873470T	CHIP RES, 1/16W 47 OHM J (1608)	P	1.00
R61	12873470T	CHIP RES, 1/16W 47 OHM J (1608)	P	1.00
R62	12873470T	CHIP RES, 1/16W 47 OHM J (1608)	P	1.00
R63	12873470T	CHIP RES, 1/16W 47 OHM J (1608)	P	1.00
R64	12873470T	CHIP RES, 1/16W 47 OHM J (1608)	P	1.00
R65	12873470T	CHIP RES, 1/16W 47 OHM J (1608)	P	1.00
R66	12873470T	CHIP RES, 1/16W 47 OHM J (1608)	P	1.00
R67	12873470T	CHIP RES, 1/16W 47 OHM J (1608)	P	1.00
R68	12873470T	CHIP RES, 1/16W 47 OHM J (1608)	P	1.00
R69	12873470T	CHIP RES, 1/16W 47 OHM J (1608)	P	1.00
R7	12873102T	CHIP RES, 1/16W 1K OHM J(1608)	P	1.00
R70	12873470T	CHIP RES, 1/16W 47 OHM J (1608)	P	1.00
R71	12873470T	CHIP RES, 1/16W 47 OHM J (1608)	P	1.00
R72	12873470T	CHIP RES, 1/16W 47 OHM J (1608)	P	1.00
R73	12873470T	CHIP RES, 1/16W 47 OHM J (1608)	P	1.00
R74	12873470T	CHIP RES, 1/16W 47 OHM J (1608)	P	1.00
R75	12873470T	CHIP RES, 1/16W 47 OHM J (1608)	P	1.00
R76	12873470T	CHIP RES, 1/16W 47 OHM J (1608)	P	1.00
R77	12873470T	CHIP RES, 1/16W 47 OHM J (1608)	P	1.00
R78	12873470T	CHIP RES, 1/16W 47 OHM J (1608)	P	1.00
R79	12873470T	CHIP RES, 1/16W 47 OHM J (1608)	P	1.00

R8	12873102T	CHIP RES, 1/16W 1K OHM J(1608)	P	1.00
R80	12873470T	CHIP RES, 1/16W 47 OHM J (1608)	P	1.00
R82	12873470T	CHIP RES, 1/16W 47 OHM J (1608)	P	1.00
R84	12873470T	CHIP RES, 1/16W 47 OHM J (1608)	P	1.00
R85	12873470T	CHIP RES, 1/16W 47 OHM J (1608)	P	1.00
R86	12873470T	CHIP RES, 1/16W 47 OHM J (1608)	P	1.00
R87	12873470T	CHIP RES, 1/16W 47 OHM J (1608)	P	1.00
R88	12873470T	CHIP RES, 1/16W 47 OHM J (1608)	P	1.00
R89	12873470T	CHIP RES, 1/16W 47 OHM J (1608)	P	1.00
R9	12873102T	CHIP RES, 1/16W 1K OHM J(1608)	P	1.00
R90	12873470T	CHIP RES, 1/16W 47 OHM J (1608)	P	1.00
R91	12873470T	CHIP RES, 1/16W 47 OHM J (1608)	P	1.00
R92	12873470T	CHIP RES, 1/16W 47 OHM J (1608)	P	1.00
R93	12873470T	CHIP RES, 1/16W 47 OHM J (1608)	P	1.00
R94	12873470T	CHIP RES, 1/16W 47 OHM J (1608)	P	1.00
R95	12873222T	CHIP RES, 1/16W 2.2K OHM J (1608)	P	1.00
R97	12873103T	CHIP RES, 1/16W 10K OHM J(1608)	P	1.00
R98	12873331T	CHIP RES, 1/16W 330 OHM J(1608)	P	1.00
R99	12873331T	CHIP RES, 1/16W 330 OHM J(1608)	P	1.00
U1	11896046	PCB, DPS11 EMI SOUND SJG-380	P	1.00

CONSOLE BOARD

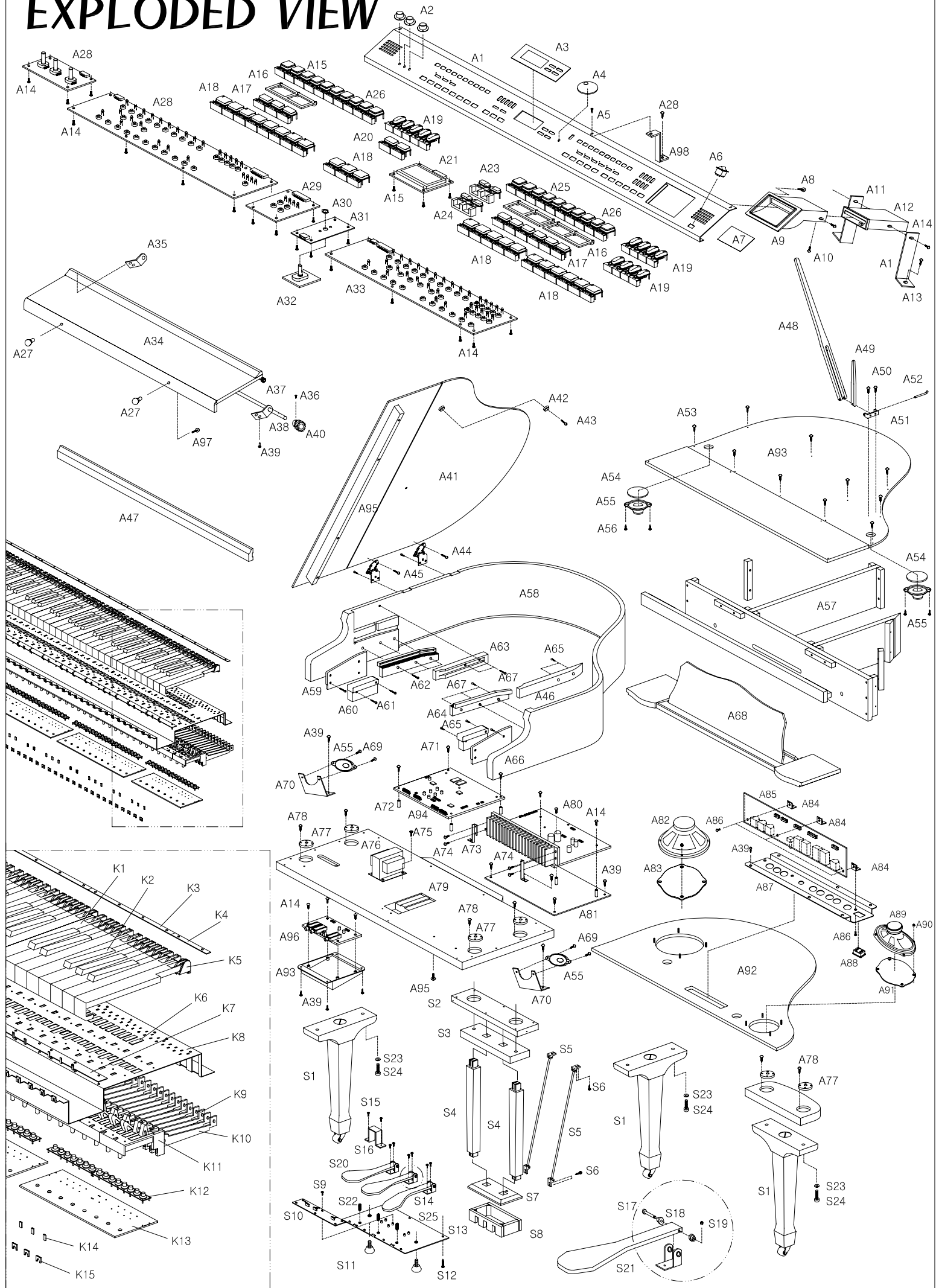
A003A	150090827	CONSOLE LEFT, EMI DPC14-1	P	1.00
A003B	150090828	CONSOLE RIGHT, EMI DPC14-2	P	1.00
AA03R	150690096	CONSOLE LEFT, RHU DPC14-1	P	1.00
AB03R	150690097	CONSOLE RIGHT, RHU DPC14-2	P	1.00
CN101	11165053	HEADER, BOXED 26PIN(26ANG-2.54D)	P	1.00
CN102	11164147	PLUG, 12P 5268-12A	P	1.00
CN103	11164145	PLUG, 3P 5268-03A	P	1.00
CN104	11164144	PLUG, 10P 5268-10A	P	1.00
CN105	11164145	PLUG, 3P 5268-03A	P	1.00
CN106	11164140	PLUG, 2P 5268-02A (LAB 0640-02)	P	1.00
CN107	11164141	PLUG, 4P 5268-4A	P	1.00
CN108	11164144	PLUG, 10P 5268-10A	P	1.00
CN201	11164147	PLUG, 12P 5268-12A	P	1.00
CN202	11164145	PLUG, 3P 5268-03A	P	1.00
IC101	11119979	IC, 74HC299 DIP20	P	1.00
IC102	11119979	IC, 74HC299 DIP20	P	1.00
IC103	11119979	IC, 74HC299 DIP20	P	1.00
IC104	11119979	IC, 74HC299 DIP20	P	1.00
IC105	11119979	IC, 74HC299 DIP20	P	1.00
IC106	11119864	IC, TTL 74HC04	P	1.00
IC201	11119979	IC, 74HC299 DIP20	P	1.00
IC202	11119979	IC, 74HC299 DIP20	P	1.00
IC203	11119979	IC, 74HC299 DIP20	P	1.00
IC204	11119979	IC, 74HC299 DIP20	P	1.00
IC205	11119979	IC, 74HC299 DIP20	P	1.00
N110	11961025	SOLDER WIRE, 63SN 3.0MM	G	6.00
N110	11961025	SOLDER WIRE, 63SN 3.0MM	G	6.00
N111	11961024	SOLDER WIRE, ENERGIZED 63SN 1.6MM	G	1.50
N111	11961024	SOLDER WIRE, ENERGIZED 63SN 1.6MM	G	1.50
N112	11961020	FLUX, JS-64T-3	G	3.00
N112	11961020	FLUX, JS-64T-3	G	3.00
N113	11964033	SOLVENT, IPA4520	G	7.00
N113	11964033	SOLVENT, IPA4520	G	7.00
AA03U	150190777	CONSOLE LEFT, AUTO DPC14-1	P	1.00
AB03U	150190778	CONSOLE RIGHT, AUTO DPC14-2	P	1.00
SW101	11145172T	TACT SWITCH, THVV502GAA	P	1.00
SW102	11145172T	TACT SWITCH, THVV502GAA	P	1.00

LD212	11113175T	LED, SLR123H Ø3 CLEAR FAA-8.8MM	P	1.00
LD213	11113175T	LED, SLR123H Ø3 CLEAR FAA-8.8MM	P	1.00
LD214	11113175T	LED, SLR123H Ø3 CLEAR FAA-8.8MM	P	1.00
LD215	11113175T	LED, SLR123H Ø3 CLEAR FAA-8.8MM	P	1.00
LD216	11113175T	LED, SLR123H Ø3 CLEAR FAA-8.8MM	P	1.00
LD217	11113175T	LED, SLR123H Ø3 CLEAR FAA-8.8MM	P	1.00
LD218	11113175T	LED, SLR123H Ø3 CLEAR FAA-8.8MM	P	1.00
LD219	11113175T	LED, SLR123H Ø3 CLEAR FAA-8.8MM	P	1.00
LD220	11113175T	LED, SLR123H Ø3 CLEAR FAA-8.8MM	P	1.00
LD221	11113175T	LED, SLR123H Ø3 CLEAR FAA-8.8MM	P	1.00
LD222	11113175T	LED, SLR123H Ø3 CLEAR FAA-8.8MM	P	1.00
LD223	11113175T	LED, SLR123H Ø3 CLEAR FAA-8.8MM	P	1.00
LD224	11113175T	LED, SLR123H Ø3 CLEAR FAA-8.8MM	P	1.00
LD225	11113175T	LED, SLR123H Ø3 CLEAR FAA-8.8MM	P	1.00
LD226	11113175T	LED, SLR123H Ø3 CLEAR FAA-8.8MM	P	1.00
LD227	11113175T	LED, SLR123H Ø3 CLEAR FAA-8.8MM	P	1.00
LD228	11113175T	LED, SLR123H Ø3 CLEAR FAA-8.8MM	P	1.00
LD229	11113175T	LED, SLR123H Ø3 CLEAR FAA-8.8MM	P	1.00
LD230	11113175T	LED, SLR123H Ø3 CLEAR FAA-8.8MM	P	1.00
R101	12368221T	CARBON RESISTOR, SB 1/6W 220 OHM J	P	1.00
R102	12368221T	CARBON RESISTOR, SB 1/6W 220 OHM J	P	1.00
R103	12368221T	CARBON RESISTOR, SB 1/6W 220 OHM J	P	1.00
R104	12368221T	CARBON RESISTOR, SB 1/6W 220 OHM J	P	1.00
R105	12368751T	CARBON RESISTOR, SB 1/6W 750 OHM J	P	1.00
R106	12368221T	CARBON RESISTOR, SB 1/6W 220 OHM J	P	1.00
R107	12368221T	CARBON RESISTOR, SB 1/6W 220 OHM J	P	1.00
R108	12368221T	CARBON RESISTOR, SB 1/6W 220 OHM J	P	1.00
R109	12368221T	CARBON RESISTOR, SB 1/6W 220 OHM J	P	1.00
R110	12368221T	CARBON RESISTOR, SB 1/6W 220 OHM J	P	1.00
R111	12368221T	CARBON RESISTOR, SB 1/6W 220 OHM J	P	1.00
R112	12368221T	CARBON RESISTOR, SB 1/6W 220 OHM J	P	1.00
R113	12368221T	CARBON RESISTOR, SB 1/6W 220 OHM J	P	1.00
R114	12368221T	CARBON RESISTOR, SB 1/6W 220 OHM J	P	1.00
R115	12368221T	CARBON RESISTOR, SB 1/6W 220 OHM J	P	1.00
R116	12368221T	CARBON RESISTOR, SB 1/6W 220 OHM J	P	1.00
R117	12368221T	CARBON RESISTOR, SB 1/6W 220 OHM J	P	1.00
R118	12368221T	CARBON RESISTOR, SB 1/6W 220 OHM J	P	1.00
R119	12368221T	CARBON RESISTOR, SB 1/6W 220 OHM J	P	1.00
R120	12368221T	CARBON RESISTOR, SB 1/6W 220 OHM J	P	1.00
R121	12368221T	CARBON RESISTOR, SB 1/6W 220 OHM J	P	1.00
R122	12368221T	CARBON RESISTOR, SB 1/6W 220 OHM J	P	1.00
R123	12368221T	CARBON RESISTOR, SB 1/6W 220 OHM J	P	1.00
R124	12368221T	CARBON RESISTOR, SB 1/6W 220 OHM J	P	1.00
R125	12368221T	CARBON RESISTOR, SB 1/6W 220 OHM J	P	1.00
R126	12368221T	CARBON RESISTOR, SB 1/6W 220 OHM J	P	1.00
R127	12368221T	CARBON RESISTOR, SB 1/6W 220 OHM J	P	1.00
R128	12368221T	CARBON RESISTOR, SB 1/6W 220 OHM J	P	1.00
R129	12368221T	CARBON RESISTOR, SB 1/6W 220 OHM J	P	1.00
R130	12368221T	CARBON RESISTOR, SB 1/6W 220 OHM J	P	1.00
R131	12368221T	CARBON RESISTOR, SB 1/6W 220 OHM J	P	1.00
R132	12368221T	CARBON RESISTOR, SB 1/6W 220 OHM J	P	1.00
R201	12368221T	CARBON RESISTOR, SB 1/6W 220 OHM J	P	1.00
R202	12368221T	CARBON RESISTOR, SB 1/6W 220 OHM J	P	1.00
R203	12368221T	CARBON RESISTOR, SB 1/6W 220 OHM J	P	1.00
R204	12368221T	CARBON RESISTOR, SB 1/6W 220 OHM J	P	1.00
R205	12368221T	CARBON RESISTOR, SB 1/6W 220 OHM J	P	1.00
R206	12368221T	CARBON RESISTOR, SB 1/6W 220 OHM J	P	1.00
R207	12368221T	CARBON RESISTOR, SB 1/6W 220 OHM J	P	1.00
R208	12368221T	CARBON RESISTOR, SB 1/6W 220 OHM J	P	1.00
R209	12368221T	CARBON RESISTOR, SB 1/6W 220 OHM J	P	1.00

R210	12368221T	CARBON RESISTOR, SB 1/6W 220 OHM J	P	1.00
R211	12368221T	CARBON RESISTOR, SB 1/6W 220 OHM J	P	1.00
R212	12368751T	CARBON RESISTOR, SB 1/6W 750 OHM J	P	1.00
R213	12368221T	CARBON RESISTOR, SB 1/6W 220 OHM J	P	1.00
R214	12368221T	CARBON RESISTOR, SB 1/6W 220 OHM J	P	1.00
R215	12368221T	CARBON RESISTOR, SB 1/6W 220 OHM J	P	1.00
R216	12368221T	CARBON RESISTOR, SB 1/6W 220 OHM J	P	1.00
R217	12368221T	CARBON RESISTOR, SB 1/6W 220 OHM J	P	1.00
R218	12368221T	CARBON RESISTOR, SB 1/6W 220 OHM J	P	1.00
R219	12368221T	CARBON RESISTOR, SB 1/6W 220 OHM J	P	1.00
R220	12368221T	CARBON RESISTOR, SB 1/6W 220 OHM J	P	1.00
R221	12368221T	CARBON RESISTOR, SB 1/6W 220 OHM J	P	1.00
R222	12368221T	CARBON RESISTOR, SB 1/6W 220 OHM J	P	1.00
R223	12368221T	CARBON RESISTOR, SB 1/6W 220 OHM J	P	1.00
R224	12368221T	CARBON RESISTOR, SB 1/6W 220 OHM J	P	1.00
R225	12368221T	CARBON RESISTOR, SB 1/6W 220 OHM J	P	1.00
R226	12368221T	CARBON RESISTOR, SB 1/6W 220 OHM J	P	1.00
R227	12368221T	CARBON RESISTOR, SB 1/6W 220 OHM J	P	1.00
R228	12368221T	CARBON RESISTOR, SB 1/6W 220 OHM J	P	1.00
U001	11896049	PCB, CONSOLE SJG-380	P	1.00

MIC & HEADPHONE BOARD				
A005U	150190779	MIC & HEAD, AUTO SJG-380	P	1.00
CON1	11164124	PLUG, 5P 5267-05AX (LWB 0640-05)	P	1.00
CON2	11164124	PLUG, 5P 5267-05AX (LWB 0640-05)	P	1.00
CON3	11164146	PLUG, 6P 5268-06A	P	1.00
CON4	11164141	PLUG, 4P 5268-4A	P	1.00
CON5	11164145	PLUG, 3P 5268-03A	P	1.00
IC1	11119187	IC, DUAL OP AMP KIA75558P(KIA4558P)	P	1.00
JP1	11163120	PHONE JACK, HTJ-064-04B, MOLD	P	1.00
JP2	11163120	PHONE JACK, HTJ-064-04B, MOLD	P	1.00
JP3	11163120	PHONE JACK, HTJ-064-04B, MOLD	P	1.00
R5	12322100S	OXIDE RESISTOR, B 1W 10 OHM J	P	1.00
R6	12322100S	OXIDE RESISTOR, B 1W 10 OHM J	P	1.00
R7	12322100S	OXIDE RESISTOR, B 1W 10 OHM J	P	1.00
R8	12322100S	OXIDE RESISTOR, B 1W 10 OHM J	P	1.00
VR1	12060265	V/R, 09RV 25SQ B10K	P	1.00
VR2	12060266	V/R, DUAL 141RH CO 20F B50K	P	1.00
VR3	12060266	V/R, DUAL 141RH CO 20F B50K	P	1.00
VR4	12060266	V/R, DUAL 141RH CO 20F B50K	P	1.00
VR5	12060267	ENCODER EC16B-V	P	1.00
A005A	150290750	MIC & HEAD, AXIAL SJG-380	P	1.00
C10	12212472T	CERAMIC CAPACITOR, B 50V 4700PF K	P	1.00
C11	12085046T	CHEMICON, 50V 0.22MF(BP)85C 5*11	P	1.00
C12	12085046T	CHEMICON, 50V 0.22MF(BP)85C 5*11	P	1.00
C13	12212681T	CERAMIC CAPACITOR, B 50V 680PF K	P	1.00
C15	12353100T	CERAMIC CAPACITOR, CH 50V 10PF C	P	1.00
C16	12797100TC	CHEMICON, 50V 10MF 85C 5*11	P	1.00
C17	12797100TC	CHEMICON, 50V 10MF 85C 5*11	P	1.00
C18	12353100T	CERAMIC CAPACITOR, CH 50V 10PF C	P	1.00
C20	12796101T	CHEMICON, 35V 100MF 85C 8*12	P	1.00
C21	12796101T	CHEMICON, 35V 100MF 85C 8*12	P	1.00
C23	12692472T	PLASTIC CAPACITOR, M 50V 4700PF J	P	1.00
C24	12212102T	CERAMIC CAPACITOR, B 50V 1000PF K	P	1.00
C25	12212102T	CERAMIC CAPACITOR, B 50V 1000PF K	P	1.00
C3	12797220TC	CHEMICON, 50V 22MF 85C 5*11	P	1.00
C4	12353470T	CERAMIC CAPACITOR, CH 50V 47PF J	P	1.00
C5	12085046T	CHEMICON, 50V 0.22MF(BP)85C 5*11	P	1.00
C6	12085046T	CHEMICON, 50V 0.22MF(BP)85C 5*11	P	1.00

EXPLODED VIEW



PART LIST (380 GRAND 142)

SET ASS'Y			NO	Part Number	Description
NO	Part Number	Description			
			A72	11845592	SUPPORT, SOUND PCB 380
A1	11865895	CONSOLE PANEL BODY SDP84S380	A73	11865907	BRACKET H/SINK-L 380
A2	11826203	KNOB VOLUME 500(BLK), 도장	A74	11774306R	SCREW, PB 3*6 SBN
A3	11845586	PLATE WINDOWS 380	A75	11023008R	SCREW, BTA 4*12 SBN(SP)
A4	11826287	KNOB BEND WHEEL	A76	11215006R	TRANS, DN-7453(AC120/230, 50/60HZ)
A5	11774306R	SCREW, PB 3*6 SBN	A77	11865611	NUT LEG M10
A6	11834289R	POWER SWITCH, ASS'Y SDP84S380	A78	11719425R	SCREW, PSTA 4*25 SBN
A7	11845590	부직포, SPEAKER 50*60 (BLK)	A79		KEY BED WOOD
A8	11774316R	SCREW, PB 3*0.5*16 SBN (ROHS)	A80		MAIN PCB
A9	11826494	MOLD, FDD HOUSING 380	A81	11865905	BRACKET, CHASSIS 380
A10	11714308R	SCREW, PS 3*0.5*8 SZN	A82	11151206R	SPEAKER, WOOFER SP1050N(10")
A11	11865897	BRACKET, FDD SUPPORT 380	A83	11865901	SPK GRILL 380 (대)
A12	11120027R	FDD, SFD-321B/LBL(REV.T5)3.5"/2MB	A84	11847948	BRACKET, PCB SUPPORT
A13	11022410R	SCREW, BTA 4*10 SZN	A85		JACK PCB ASS'Y
A14	11774306R	SCREW, PB 3*6 SBN	A86	11032392BR	SCREW, TTB 3*6 SBN
A15	11826285	K/BLOCK 100B(VOICE)영, 투, 380	A87	11865898	BRACKET JACK PANEL 380 (영문)
A16	11816990	LED INDICATOR, 930-2	A88	11163131R	AC JACK RONGFENG SS-120
A17	11826288	K/BLOCK 200B-1(낮음)	A89	11151186R	SPEAKER, SPK2103 6*9 INCH 8 OHM
A18	11826208	KNOB BLOCK 200A-2(BLK)	A90	11040015R	NUT, SPECIAL M4.0*12 SZN
A19	11826198R	KNOB BLOCK 100A-2(도금)(ROHS)	A91	11865902	SPK GRILL 380 (중)
A20	11826289	K/BLOCK 200B-2(높음)	A92		KEY BED WOOD BACK
A21	11113198	LCD MODULE, BY-CM04118DLYW-H	A93	11865900	BRACKET HEAD PHONE BOX 380 (영문)
A22	11774206R	SCREW, PB 2*0.4*6	A94		SOUND PCB ASS'Y
A23	11826210R	K/BLOCK 100C-2(도금+인쇄)1CAVITY(R)	A95	11779430R	SCREW, PPW 4*0.7*30 SBN (ROHS)
A24	11826202R	K/BLOCK 100C-1(도금+인쇄)2CAVITY(R)	A96		HEADPHONE PCB ASS'Y
A25	11826286	K/BLOCK 100B(STYLE)영, 투, 380	A97	11712421	SCREW, PPW 4*0.7*20 SBN (ROHS)
A26	11826284	K/BLOCK 100B(V/STY)영, 투, 380	A98	11865916	BRACKET PANEL SUPPORT 380
A27	11865891	FALL BOARD HANDLE	STAND ASS'Y		
A28		CONSOLE.VOLUME PCB1	NO	Part Number	Description
A29		CONSOLE.VOLUME PCB 2	S1		LEG WOOD 380 ASS'Y(BLK)
A30		NUT M12	S2		LEG SUPPORT 1 WOOD
A31	11865896	BRACKET ALPHA WHEEL 380	S3		LEG SUPPORT 2 WOOD
A32		BEND WHEEL PCB	S4		PEDAL SUPPORT WOOD BLK
A33		CONSOLE.VOLUME PCB	S5		PEDAL SUPPORT GOLD
A34		FALL BOARD WOOD	S6	11719425R	SCREW, PSTA 4*25 SBN
A35	11865889	BRACKET FALL BOARD SHAFT-L 380	S7		PEDAL BOX UP
A36	11714308R	SCREW, PS 3*0.5*8 SZN	S8		PEDAL BOX LOWER
A37	11865890	BRACKET FALL BOARD SHAFT-R 380	S9	11712412R	SCREW, PP 4*0.7*12 SBN
A38	11881009	SHAFT FALL BOARD 380	S10		PEDAL PCB ASS'Y
A39	11023008R	SCREW, BTA 4*12 SBN(SP)	S11	11865894	PEDAL SUPPORT (조절발) 380
A40	11884002	GEAR, MOLD ABS	S12	11719570	SCREW PSTA 5*70 SZN
A41	11827495	TOP BOARD BODY WOOD 380 (BLK)	S13	11865909	BRACKET PEDAL CHASSIS 380
A42	11865613	BRACKET ROSETTE LID(+)	S14	11865910	BRACKET PEDAL FLANGE 380
A43	11023412	SCREW, BTA 4*12 (GOLD)	S15	11032381R	SCREW, TTB 3*8 SZN
A44	11865614	BRACKET ROSETTE PROP	S16	11865912	BRACKET PEDAL STOPPER 380
A45	11023412	SCREW, BTA 4*12 (GOLD)	S17	11865911	SHAFT PEDAL 380
A46		GUIDE RAIL WOOD-R	S18	11826495	KNOB, P/F BUSHING 380
A47		KEY SLIP WOOD	S19	11834301	E-RING
A48		SUPPORT WOOD L	S20	11865914	PEDAL START/STOP 380
A49		SUPPORT WOOD S	S21	11865913	PEDAL SOFT 380
A50	11023412	SCREW, BTA 4*12 (GOLD)	S22	11834329	SPRING, PEDAL 380
A51	11865619	BRACKET HINGE TOP	S23	11052016	WASHER, 20*1T
A52		SHAFT PIN	S24	11033328	BOLT(L), M10*60 SBN
A53	11719425R	SCREW, PSTA 4*25 SBN	S25	11865915	PEDAL SUSTAIN 380
	11865903	SPK GRILL 380 (소)	PIANO KEY(HWS)		
A55	11151200R	SPEAKER, SPK2114(CST5T90042)	NO	Part Number	Description
A56	11023008R	SCREW, BTA 4*12 SBN(SP)	K1	11858808	WHITE KEY A1.A.B.C.D.E.F.G.C1
A57		BLOCK WOOD(INNER)	K2	11858817	BLACK KEY
A58		RIM WOOD	K3	11847957	BRKT STOPPER DP
A59		SIDE ARM BLOCK-L WOOD	K4	11847958	BRKT STOPPER (58)
A60		KEY BLOCK -L WOOD	K5	11858818	KEY MOUNT
A61	11719435R	SCREW PSTA 3.5*35 SBN	K6	11847982A	SLIDE CUSHION
A62	11826492	MOLD, GEAR RAIL-L 380 (인쇄무)	K7	11847986	BRKT GUIDE RAIL
A63		GUIDE RAIL WOOD-L	K8	11834297	KEY FRAME
A64	11826493	MOLD, GEAR RAIL-R 380 (인쇄무)	K9	11847991	HAMMER WEIGHT BLACK
A65		KEY BLOCK -R WOOD	K10	11847997	HAMMER WEIGHT WHITE
A66		SIDE ARM BLOCK-R WOOD	K11	11858820	KWY FRANGE
A67	11719435R	SCREW PSTA 3.5*35 SBN	K12	11858821	KEY RUBBER SWITCH
A68		DESK BOARD ASS'Y	K13		KEY PCB 1,2,3,4
A69	11712412R	SCREW, PP 4*0.7*12 SBN	K14	11847987	GUIDE BUSHING(B)
A70	11865904	BRACKET, TWEETER 380	K15	11847999	GUIDE BUSHING(W)
A71	11023436R	SCREW, BTA 4*36 SBN (ROHS)			