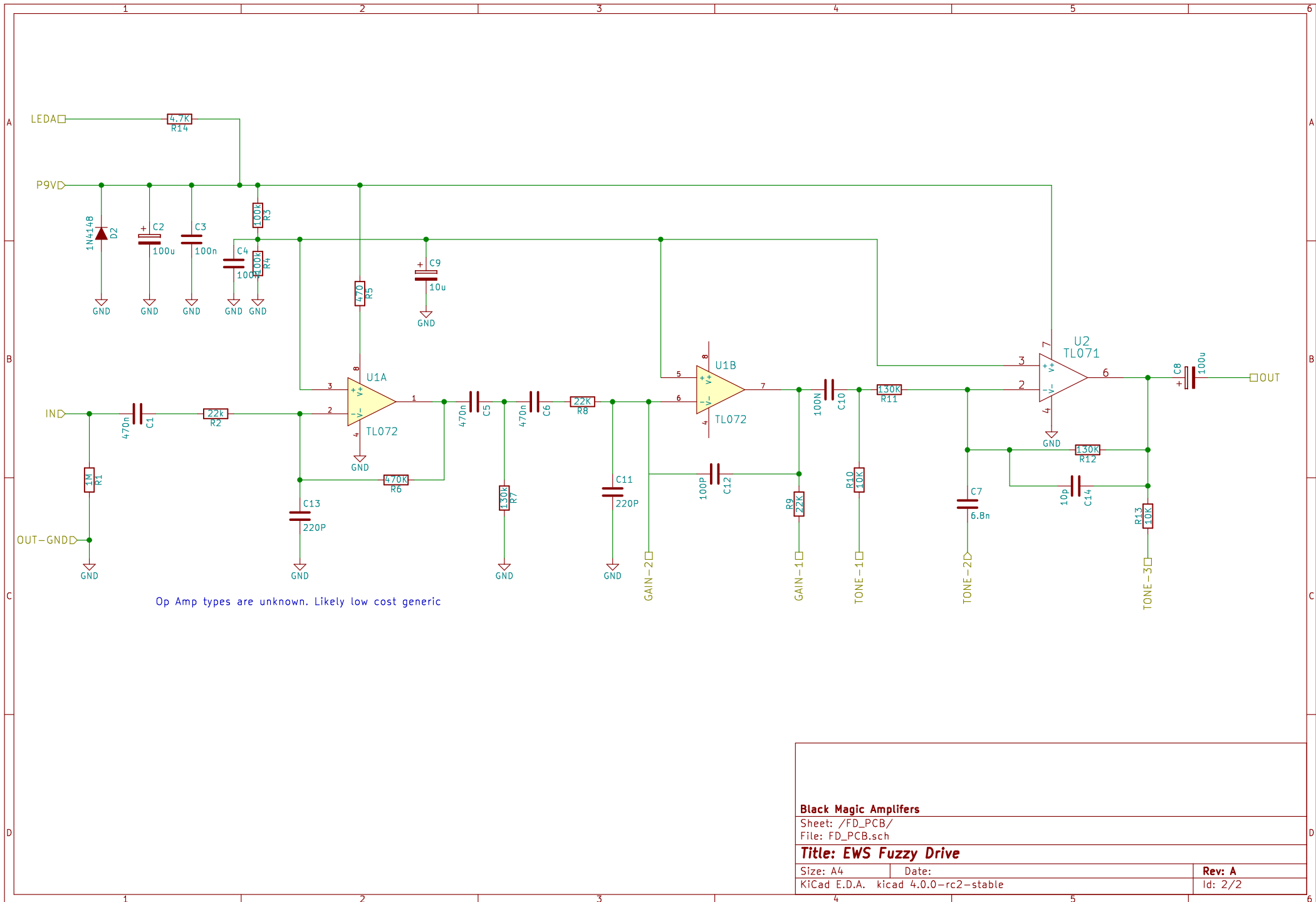


Black Magic Amplifiers

Sheet: /
File: fd.sch

Title: EWS Fuzzy Drive

Size: A4	Date:	Rev: A
KiCad E.D.A. kicad 4.0.0-rc2-stable		Id: 1/2



Black Magic Amplifiers

Sheet: /FD_PCB/

File: FD_PCB.sch

Title: EWS Fuzzy Drive

Size: A4

Date:

KiCad E.D.A. kicad 4.0.0-rc2-stable

Rev: A

Id: 2/2