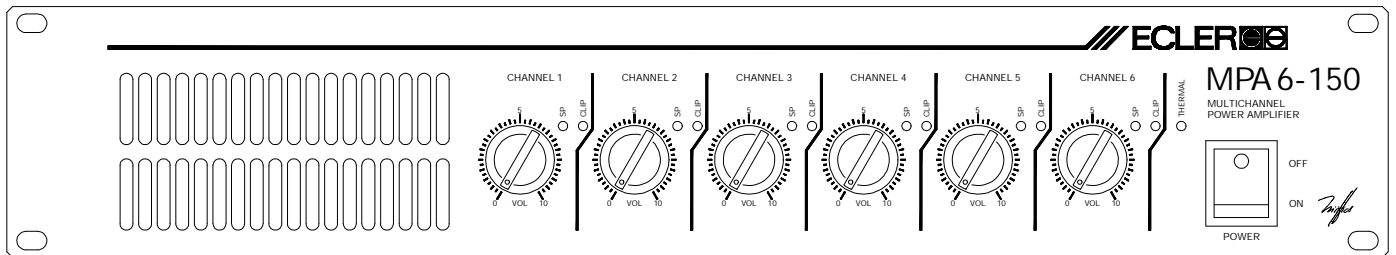


MPA6-150

SERVICE MANUAL



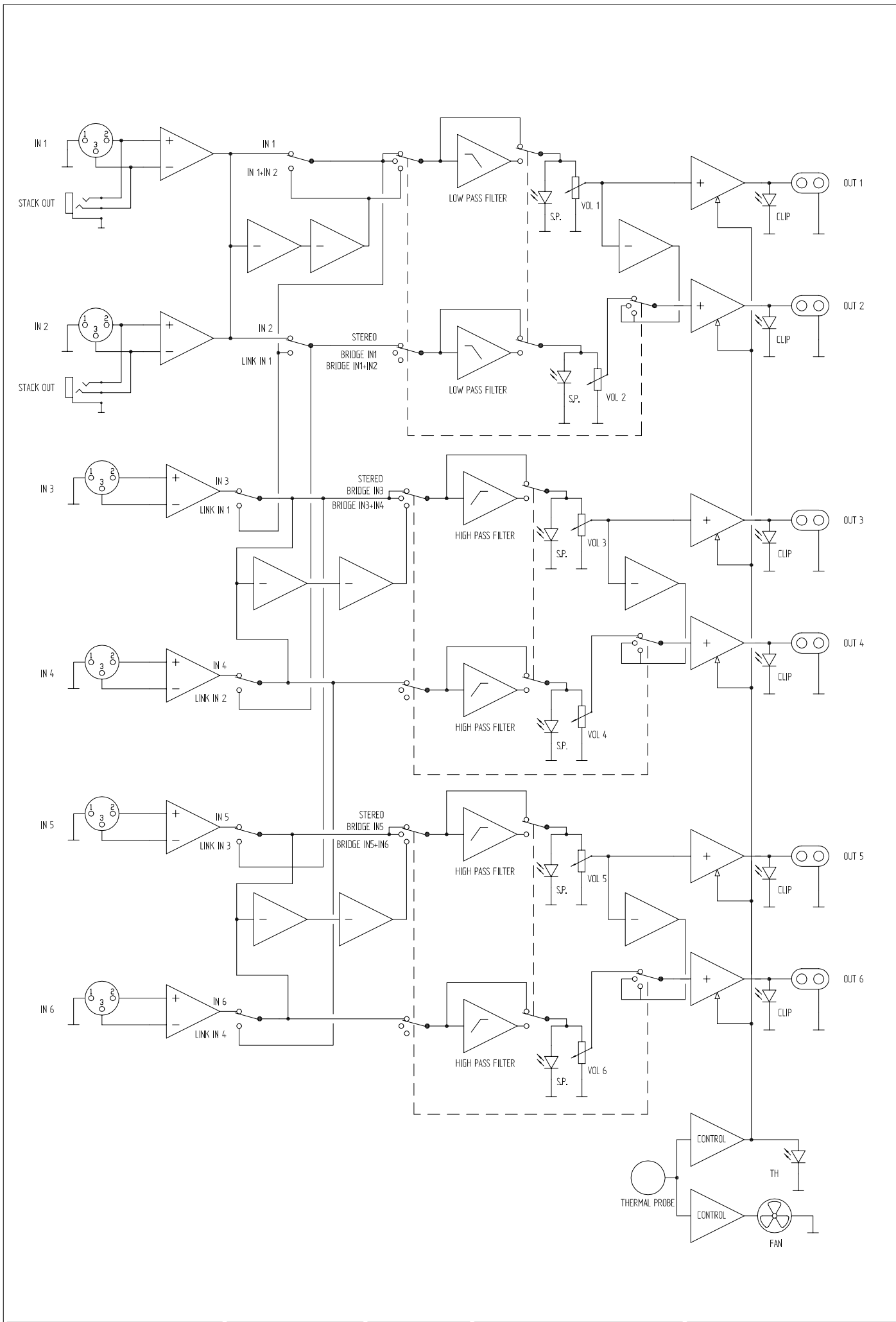
ECLEREO

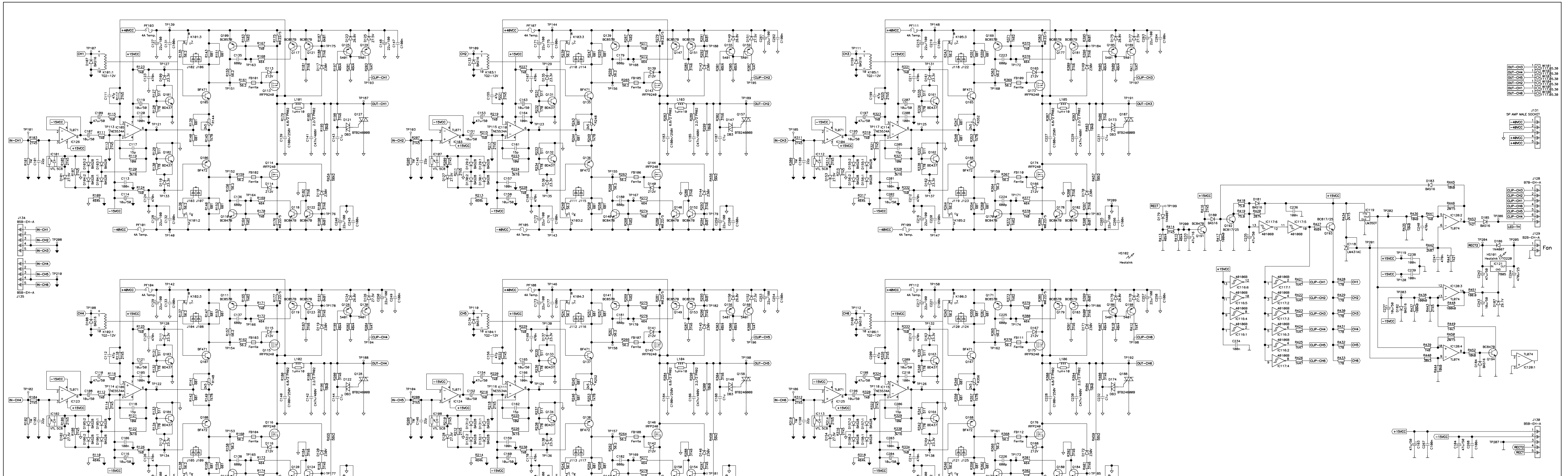
AUDIO CREATIVE POWER

SERVICE MANUAL MPA6-150


INDEX

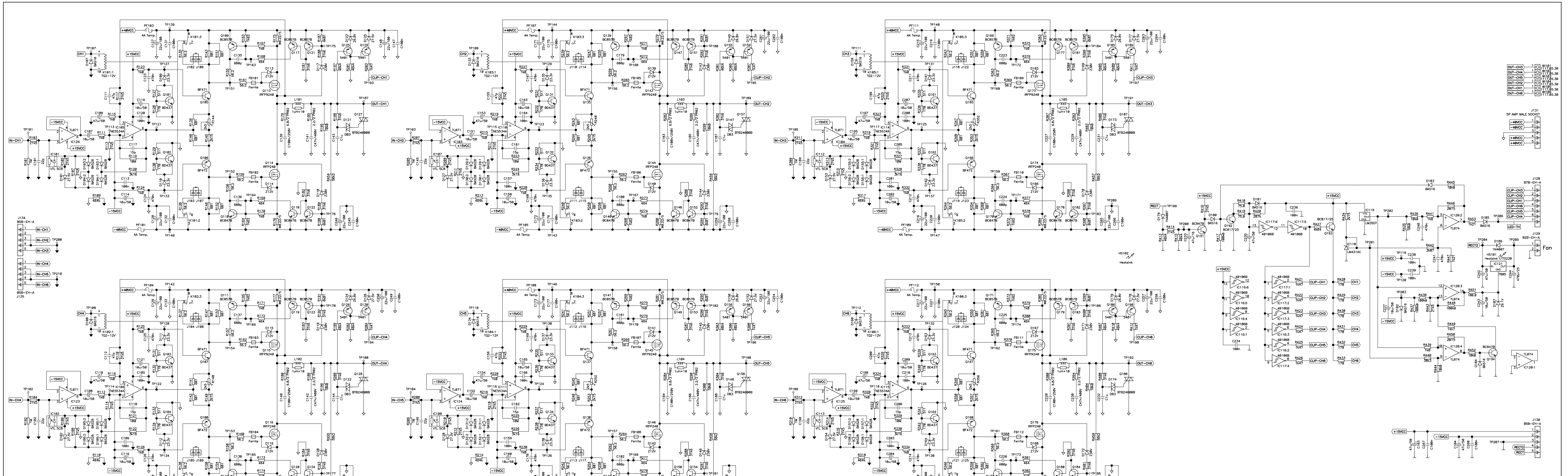
- BLOCK DIAGRAM
- SCHEMATICS
- COMPONENTS LOCATION SCHEMA
- TESTING AND QUALITY CONTROL
- TECHNICAL CHARACTERISTICS
- WIRING DIAGRAM
- MECHANICAL DIAGRAM
- PACKING DIAGRAM



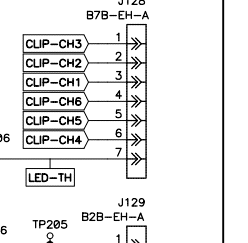
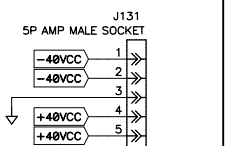


Printed Board 11.8975

 LABORATÓRIO DE ELECTRO-ACÚSTICA S.A.	drawn by: M. Amoros project n: EP02-03 product n: MPA6-150	date: 040115 title: approved: Angel Sanuy
	Power Sch.	
number: 10.0652 version: 01.03	page: 1 of 1	

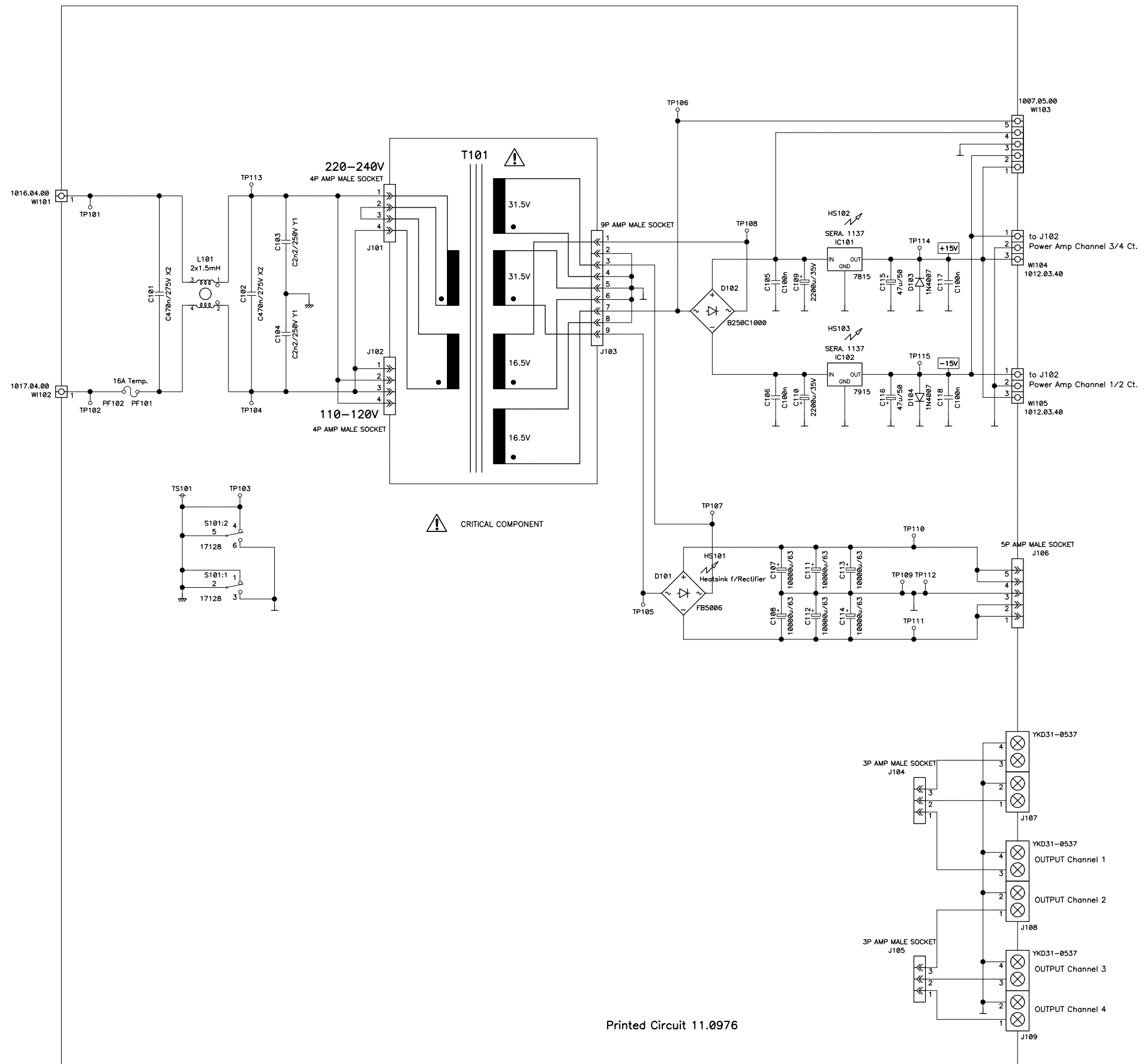


OUT-CH1	1	W191
OUT-CH2	2	W192
OUT-CH3	3	W193
OUT-CH4	4	W194
OUT-CH5	5	W195
OUT-CH6	6	W196




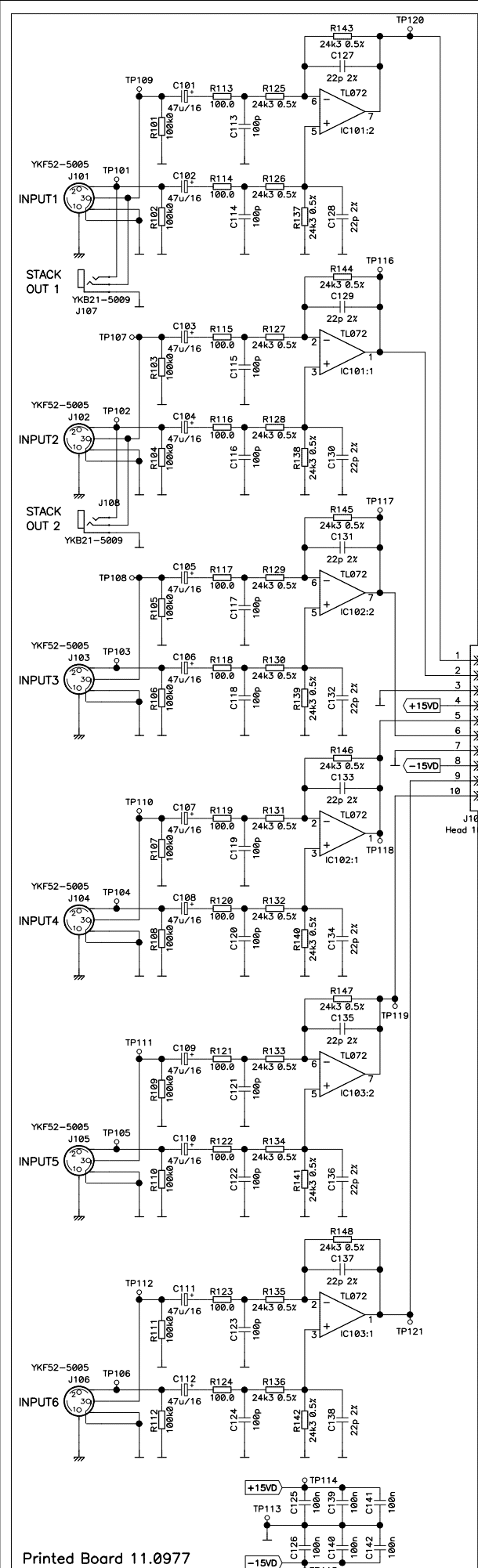
Printed Board 11.8975

 LABORATÓRIO DE ELECTRO-ACÚSTICA S.A.	drawn by: M. Amoros	date: 03/05/22	approved: Angel Sanuy
	project n: EP02-03	product n: MPA6-150	title: Power Sch.
number: 10.0652	version: 01.02	page: 1 of 1	

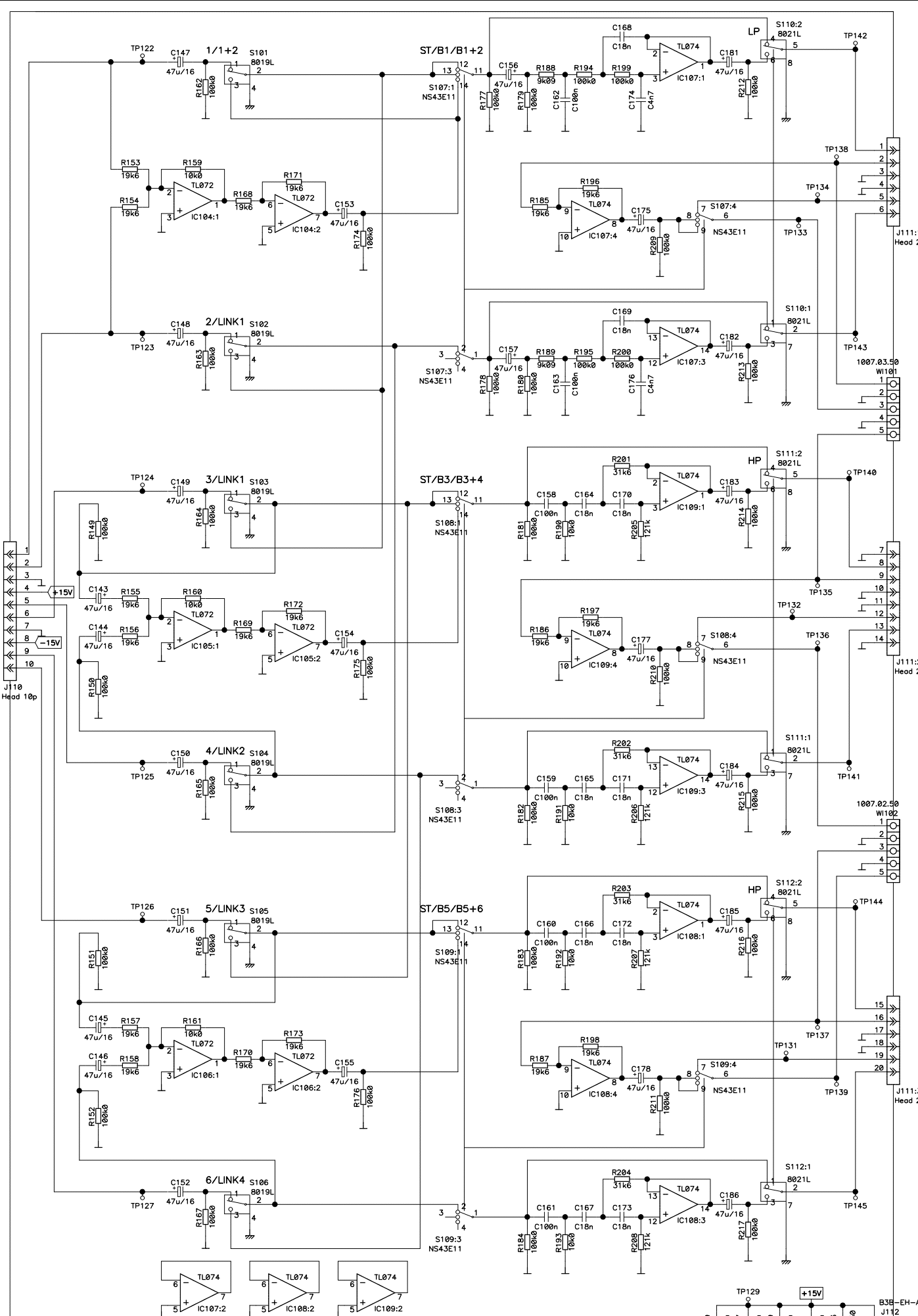


Printed Circuit 11.0976

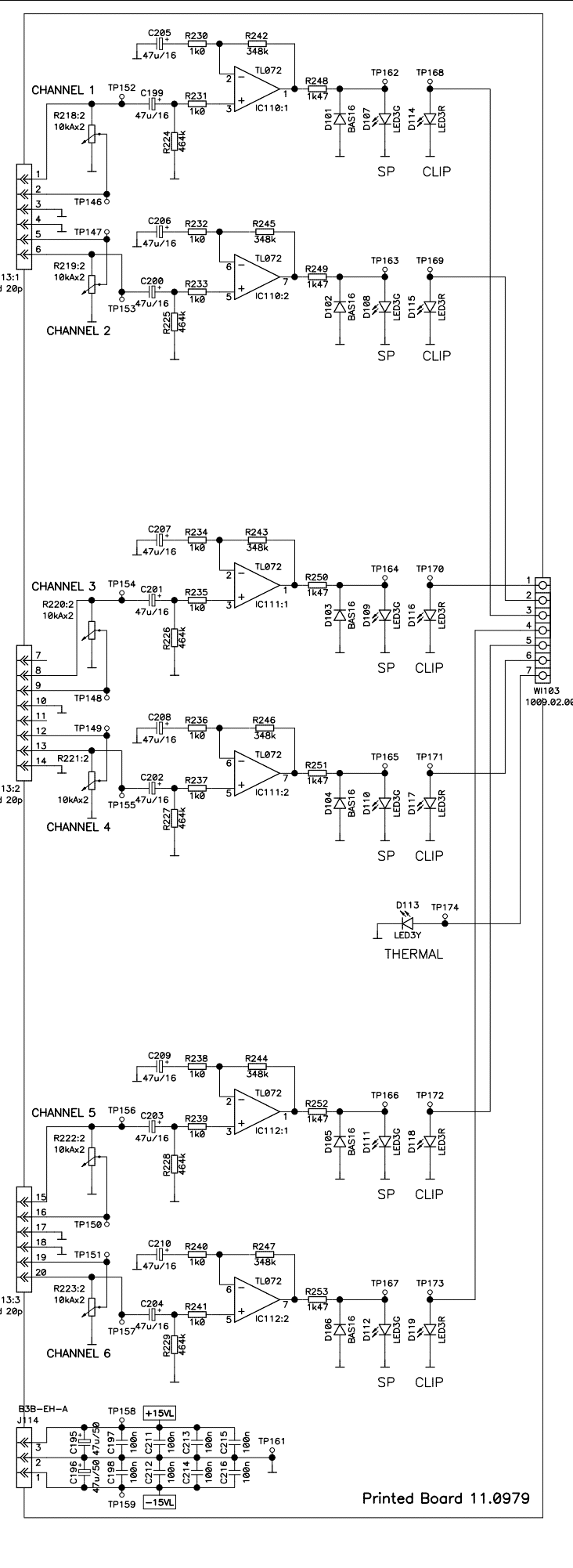
 LABORATORIO DE ELECTRO-ACUSTICA S.A.	drawn by: M. Amoros	date: 030710	approved: Angel Sanuy
	project n: EP02-03	title:	
number: 10.0654	product n: MPA 6-150	Power Supply + Outs	
version: 01.01	page: 1 of 1		



Printed Board 11.0977



Printed Board 11.0978



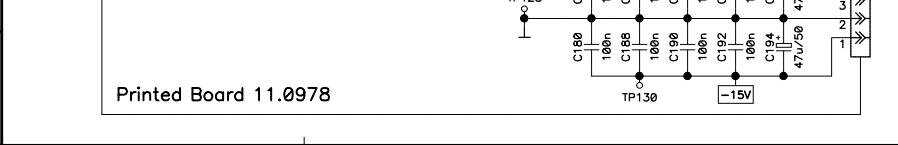
Printed Board 11.0980

ECLEREO
LABORATORIO DE ELECTRO-ACUSTICA S.A.

number: 10.0656 version: 01.02

drawn by: M. Amoros
project n: EP02-03
product n: MPA6-150
page: 1 of 1

date: 030709 approved: Angel Sanuy
title: Inputs&Pottmtr&Leds



Printed Board 11.0979



Printed Board 11.0980

PARTS LIST: PRINTED CIRCUIT 11.0975.03.02

Code	Description	Reference
FCXCD1220000	22p	C101
FCXCD1220000	22p	C102
FCCE25047000	47u/50	C103
FCCE25047000	47u/50	C104
FCXCD4100000	100n	C105
FCXCD4100000	100n	C106
FCCE25010000	10u/50	C107
FCCE25010000	10u/50	C108
FCCE25047000	47u/50	C109
FCCE25047000	47u/50	C110
FCXCD1470000	47p	C111
FCXCD1470000	47p	C112
FCXCD4100000	100n	C113
FCCE25010000	10u/50	C114
FCCE25010000	10u/50	C116
FCXCD1150000	15p	C117
FCXCD1150000	15p	C118
FCCE25010000	10u/50	C119
FCXCD4100000	100n	C120
FCCE25010000	10u/50	C121
FCXCD4470000	470n	C123
FCXCD4470000	470n	C124
FCXCD4470000	470n	C125
FCXCD4470000	470n	C126
FCCE35022000	22u/100	C127
FCCE35022000	22u/100	C128
FCCE35022000	22u/100	C129
FCCE35022000	22u/100	C130
FCCC15101000	C100n	C131
FCCC15101000	C100n	C132
FCCC15101000	C100n	C133
FCCC15101000	C100n	C134
FCXCD2680000	680p	C135
FCXCD2680000	680p	C136
FCXCD2680000	680p	C137
FCXCD2680000	680p	C138
FCCDN1100000	C100n/250V	C139
FCCDN1100000	C100n/250V	C140
FCCDH7104700	C47n/400V	C141
FCCDH7104700	C47n/400V	C142
FCCDK2001000	C1u	C143
FCCDK2001000	C1u	C144
FCXCD1220000	22p	C145
FCXCD1220000	22p	C146
FCCC15101000	C100n	C147
FCCE35022000	22u/100	C148
FCCE25010000	10u/50	C151
FCCE25010000	10u/50	C152
FCCE25047000	47u/50	C153
FCCE25047000	47u/50	C154
FCXCD1470000	47p	C155
FCXCD1470000	47p	C156
FCXCD4100000	100n	C157
FCCE25010000	10u/50	C158
FCXCD4100000	100n	C159
FCCE25010000	10u/50	C160

PARTS LIST: PRINTED CIRCUIT 11.0975.03.02

Code	Description	Reference
FCXCD1150000	15p	C161
FCXCD1150000	15p	C162
FCCE25010000	10u/50	C163
FCXCD4100000	100n	C164
FCCE25010000	10u/50	C165
FCXCD4100000	100n	C166
FCXCD4470000	470n	C167
FCXCD4470000	470n	C168
FCXCD4470000	470n	C169
FCXCD4470000	470n	C170
FCCE35022000	22u/100	C171
FCCE35022000	22u/100	C172
FCCE35022000	22u/100	C173
FCCE35022000	22u/100	C174
FCCC15101000	C100n	C175
FCCC15101000	C100n	C176
FCCC15101000	C100n	C177
FCCC15101000	C100n	C178
FCXCD2680000	680p	C179
FCXCD2680000	680p	C180
FCXCD2680000	680p	C181
FCXCD2680000	680p	C182
FCCDN1100000	C100n/250V	C183
FCCDN1100000	C100n/250V	C184
FCCDH7104700	C47n/400V	C185
FCCDH7104700	C47n/400V	C186
FCCDK2001000	C1u	C187
FCCDK2001000	C1u	C188
FCXCD1220000	22p	C189
FCXCD1220000	22p	C190
FCCE25010000	10u/50	C195
FCCE25010000	10u/50	C196
FCCE25047000	47u/50	C197
FCCE25047000	47u/50	C198
FCXCD1470000	47p	C199
FCXCD1470000	47p	C200
FCXCD4100000	100n	C201
FCCE25010000	10u/50	C202
FCXCD4100000	100n	C203
FCCE25010000	10u/50	C204
FCXCD1150000	15p	C205
FCXCD1150000	15p	C206
FCCE25010000	10u/50	C207
FCXCD4100000	100n	C208
FCCE25010000	10u/50	C209
FCXCD4100000	100n	C210
FCXCD4470000	470n	C211
FCXCD4470000	470n	C212
FCXCD4470000	470n	C213
FCXCD4470000	470n	C214
FCCE35022000	22u/100	C215
FCCE35022000	22u/100	C216
FCCE35022000	22u/100	C217
FCCE35022000	22u/100	C218
FCCC15101000	C100n	C219
FCCC15101000	C100n	C220

PARTS LIST: PRINTED CIRCUIT 11.0975.03.02

Code	Description	Reference
FCCC15101000	C100n	C221
FCCC15101000	C100n	C222
FCXCD2680000	680p	C223
FCXCD2680000	680p	C224
FCXCD2680000	680p	C225
FCXCD2680000	680p	C226
FCCDN1100000	C100n/250V	C227
FCCDN1100000	C100n/250V	C228
FCCDH7104700	C47n/400V	C229
FCCDH7104700	C47n/400V	C230
FCCDK2001000	C1u	C231
FCCDK2001000	C1u	C232
FCCE10000000	47u/16	C233
FCXCD4100000	100n	C234
FCCE25047000	47u/50	C235
FCXCD4100000	100n	C236
FCCE25010000	10u/50	C237
FCXCD4100000	100n	C238
FCXCD4100000	100n	C239
FCXCD4470000	470n	C240
FCXCD4470000	470n	C241
FCCE25047000	47u/50	C242
FCCE25010000	10u/50	C243
FCCE15470000	470u/25	C244
FCCC15101000	C100n	C245
FCCE35022000	22u/100	C246
FCCE35022000	22u/100	C247
FCCC15101000	C100n	C248
FCCC15101000	C100n	C249
FCCE35022000	22u/100	C250
FCCE35022000	22u/100	C251
FCCC15101000	C100n	C252
FCCE35022000	22u/100	C253
FCCC15101000	C100n	C254
FCCE35022000	22u/100	C255
FCCC15101000	C100n	C256
FCCE35022000	22u/100	C257
FCCC15101000	C100n	C258
FCCE35022000	22u/100	C259
FCCC15101000	C100n	C260
FCCE35022000	22u/100	C261
FCCC15101000	C100n	C262
FCCE35022000	22u/100	C263
FCCC15101000	C100n	C264
FCCE35022000	22u/100	C265
FCCC15101000	C100n	C266
FCCC15101000	C100n	C267
FCCC15101000	C100n	C268
FCCI09750000	Printed Board 11.0975	CI101
FCXZ00007500	Z7.5V	D101
FCXZ00007500	Z7.5V	D102
FCXDDBAS2800	BAS28	D103
FCXDDBAS2800	BAS28	D104
FCXDDBAS2800	BAS28	D105
FCXDDBAS2800	BAS28	D106
FCXDDBAS1600	BAS16	D107

PARTS LIST: PRINTED CIRCUIT 11.0975.03.02

Code	Description	Reference
FCXDDBAS1600	BAS16	D108
FCXZ00003300	Z3.3V	D109
FCXZ00003300	Z3.3V	D110
FCXZ00003300	Z3.3V	D111
FCXZ00003300	Z3.3V	D112
FCXZ00012000	Z12V	D113
FCXZ00012000	Z12V	D114
FCXZ00012000	Z12V	D115
FCXZ00012000	Z12V	D116
FCXZ00030000	Z30V	D117
FCXZ00030000	Z30V	D118
FCXZ00030000	Z30V	D119
FCXZ00030000	Z30V	D120
FCDIDB300000	DB3	D121
FCDIDB300000	DB3	D122
FCXZ00006800	Z6.8V	D123
FCXZ00006800	Z6.8V	D124
FCXZ00007500	Z7.5V	D125
FCXZ00007500	Z7.5V	D126
FCXZ00007500	Z7.5V	D127
FCXZ00007500	Z7.5V	D128
FCXDDBAS2800	BAS28	D129
FCXDDBAS2800	BAS28	D130
FCXDDBAS2800	BAS28	D131
FCXDDBAS2800	BAS28	D132
FCXDDBAS1600	BAS16	D133
FCXDDBAS1600	BAS16	D134
FCXZ00003300	Z3.3V	D135
FCXZ00003300	Z3.3V	D136
FCXZ00003300	Z3.3V	D137
FCXZ00003300	Z3.3V	D138
FCXZ00012000	Z12V	D139
FCXZ00012000	Z12V	D140
FCXZ00012000	Z12V	D141
FCXZ00012000	Z12V	D142
FCXZ00030000	Z30V	D143
FCXZ00030000	Z30V	D144
FCXZ00030000	Z30V	D145
FCXZ00030000	Z30V	D146
FCDIDB300000	DB3	D147
FCDIDB300000	DB3	D148
FCXZ00006800	Z6.8V	D149
FCXZ00006800	Z6.8V	D150
FCXZ00007500	Z7.5V	D151
FCXZ00007500	Z7.5V	D152
FCXZ00007500	Z7.5V	D153
FCXZ00007500	Z7.5V	D154
FCXDDBAS2800	BAS28	D155
FCXDDBAS2800	BAS28	D156
FCXDDBAS2800	BAS28	D157
FCXDDBAS2800	BAS28	D158
FCXDDBAS1600	BAS16	D159
FCXDDBAS1600	BAS16	D160
FCXZ00003300	Z3.3V	D161
FCXZ00003300	Z3.3V	D162
FCXZ00003300	Z3.3V	D163

PARTS LIST: PRINTED CIRCUIT 11.0975.03.02

Code	Description	Reference
FCXZ00003300	Z3.3V	D164
FCXZ00012000	Z12V	D165
FCXZ00012000	Z12V	D166
FCXZ00012000	Z12V	D167
FCXZ00012000	Z12V	D168
FCXZ00030000	Z30V	D169
FCXZ00030000	Z30V	D170
FCXZ00030000	Z30V	D171
FCXZ00030000	Z30V	D172
FCDIDB300000	DB3	D173
FCDIDB300000	DB3	D174
FCXZ00006800	Z6.8V	D175
FCXZ00006800	Z6.8V	D176
FCXZ00007500	Z7.5V	D177
FCXZ00007500	Z7.5V	D178
FCXDD4007000	1N4007	D179
FCXDDBAS1600	BAS16	D180
FCXDDBAS1600	BAS16	D181
FCXDDBAS1600	BAS16	D182
FCXDDBAS1600	BAS16	D183
FCXDDBAS1600	BAS16	D184
FCXDDBAS1600	BAS16	D185
FCXDD4007000	1N4007	D186
FCXZ00009100	Z9.1V	D187
FCFUS5020000	4A Temp.	F101
FCFUS5020000	4A Temp.	F102
FCFUS5020000	4A Temp.	F103
FCFUS5020000	4A Temp.	F104
FCFUS5020000	4A Temp.	F105
FCFUS5020000	4A Temp.	F106
FCFUS5020000	4A Temp.	F107
FCFUS5020000	4A Temp.	F108
FCFUS5020000	4A Temp.	F109
FCFUS5020000	4A Temp.	F110
FCFUS5020000	4A Temp.	F111
FCFUS5020000	4A Temp.	F112
FCFER4322000	Ferrite	FB101
FCFER4322000	Ferrite	FB102
FCFER4322000	Ferrite	FB103
FCFER4322000	Ferrite	FB104
FCFER4322000	Ferrite	FB105
FCFER4322000	Ferrite	FB106
FCFER4322000	Ferrite	FB107
FCFER4322000	Ferrite	FB108
FCFER4322000	Ferrite	FB109
FCFER4322000	Ferrite	FB110
FCFER4322000	Ferrite	FB111
FCFER4322000	Ferrite	FB112
FP0251600000	Heatsink f/TO220	HS101
FCRAD2788000	Heatsink	HS102
FCOPTVTL5000	VTL 5C8	IC101
FCOPTVTL5000	VTL 5C8	IC102
FCIC07101000	TL071	IC103
FCIC07101000	TL071	IC104
FCIC55341000	NE5534A	IC105
FCIC55341000	NE5534A	IC106

PARTS LIST: PRINTED CIRCUIT 11.0975.03.02

Code	Description	Reference
FCOPTVTL5000	VTL 5C8	IC107
FCOPTVTL5000	VTL 5C8	IC108
FCIC55341000	NE5534A	IC110
FCIC55341000	NE5534A	IC111
FCOPTVTL5000	VTL 5C8	IC112
FCOPTVTL5000	VTL 5C8	IC113
FCIC55341000	NE5534A	IC114
FCIC55341000	NE5534A	IC115
FCIC40106000	40106B	IC116
FCIC40106000	40106B	IC117
FCIC43101000	LM431AC	IC118
FCIC35DT0000	LM35DT	IC119
FCIC07401000	TL074	IC120
FCREG7805000	7805	IC121
FCIC07101000	TL071	IC123
FCIC07101000	TL071	IC124
FCIC07101000	TL071	IC125
FCIC07101000	TL071	IC126
FCTIRKON0000	Insulating polymer	IN100
FCTIRKON0000	Insulating polymer	IN101
FCMICTO22000	Insulant TO220	IN102
FCMICTO12600	Insulant TO126	IN103
FCMICTO12600	Insulant TO126	IN104
FCMICTO12600	Insulant TO126	IN105
FCMICTO12600	Insulant TO126	IN106
FCMICTO12600	Insulant TO126	IN107
FCMICTO12600	Insulant TO126	IN108
FCMICTO12600	Insulant TO126	IN109
FCMICTO12600	Insulant TO126	IN110
FCMICTO12600	Insulant TO126	IN111
FCMICTO12600	Insulant TO126	IN112
FCMICTO12600	Insulant TO126	IN113
FCMICTO12600	Insulant TO126	IN114
FCTERM010000	Jumper Pin	J102
FCTERM010000	Jumper Pin	J103
FCTERM010000	Jumper Pin	J104
FCTERM010000	Jumper Pin	J105
FCTERM010000	Jumper Pin	J106
FCTERM010000	Jumper Pin	J107
FCTERM010000	Jumper Pin	J108
FCTERM010000	Jumper Pin	J109
FCTERM010000	Jumper Pin	J110
FCTERM010000	Jumper Pin	J111
FCTERM010000	Jumper Pin	J112
FCTERM010000	Jumper Pin	J113
FCTERM010000	Jumper Pin	J114
FCTERM010000	Jumper Pin	J115
FCTERM010000	Jumper Pin	J116
FCTERM010000	Jumper Pin	J117
FCTERM010000	Jumper Pin	J118
FCTERM010000	Jumper Pin	J119
FCTERM010000	Jumper Pin	J120
FCTERM010000	Jumper Pin	J121
FCTERM010000	Jumper Pin	J122
FCTERM010000	Jumper Pin	J123
FCTERM010000	Jumper Pin	J124

PARTS LIST: PRINTED CIRCUIT 11.0975.03.02

Code	Description	Reference
FCTERM010000	Jumper Pin	J125
FCCTM0007000	B7B-EH-A	J128
FCCTM0002000	B2B-EH-A	J129
FCCTM0005000	B5B-EH-A	J130
FCCTAMP15000	5P AMP MALE SOCKET	J131
FCCTM0005000	B5B-EH-A	J134
FCCTM0005000	B5B-EH-A	J135
FCRELO030000	TQ2-12V	K101
FCRELO030000	TQ2-12V	K102
FCRELO030000	TQ2-12V	K103
FCRELO030000	TQ2-12V	K104
FCRELO030000	TQ2-12V	K105
FCRELO030000	TQ2-12V	K106
FRIND0020000	1uH + 10	L101
FRIND0020000	1uH + 10	L102
FRIND0020000	1uH + 10	L103
FRIND0020000	1uH + 10	L104
FRIND0020000	1uH + 10	L105
FRIND0020000	1uH + 10	L106
FCMJ00010000	Jumper	MJ101
FCMJ00010000	Jumper	MJ102
FCMJ00010000	Jumper	MJ103
FCMJ00010000	Jumper	MJ104
FCMJ00010000	Jumper	MJ105
FCMJ00010000	Jumper	MJ106
FCMJ00010000	Jumper	MJ107
FCMJ00010000	Jumper	MJ108
FCMJ00010000	Jumper	MJ109
FCMJ00010000	Jumper	MJ110
FCMJ00010000	Jumper	MJ111
FCMJ00010000	Jumper	MJ112
FCPINZAM0000	Clamp WD. 00.2636	MP100
FCPINZAM0000	Clamp WD. 00.2636	MP101
FCTUE0030000	Nut M3	NV100
FCPORF315000	3/15P	PF101
FCPORF315000	3/15P	PF102
FCPORF315000	3/15P	PF103
FCPORF315000	3/15P	PF104
FCPORF315000	3/15P	PF105
FCPORF315000	3/15P	PF106
FCPORF315000	3/15P	PF107
FCPORF315000	3/15P	PF108
FCPORF315000	3/15P	PF109
FCPORF315000	3/15P	PF110
FCPORF315000	3/15P	PF111
FCPORF315000	3/15P	PF112
FCTR43700000	BD437	Q101
FCTR43700000	BD437	Q102
FCTR43700000	BD437	Q103
FCTR43700000	BD437	Q104
FCTR47100000	BF471	Q105
FCTR47200000	BF472	Q106
FCTR47100000	BF471	Q107
FCTR47200000	BF472	Q108
FCXTT0857000	BC857B	Q109
FCXTT0847000	BC847B	Q110

PARTS LIST: PRINTED CIRCUIT 11.0975.03.02

Code	Description	Reference
FCXTT0857000	BC857B	Q111
FCXTT0847000	BC847B	Q112
FCTR24300000	IRFP9240	Q113
FCTR24000000	IRFP240	Q114
FCTR24300000	IRFP9240	Q115
FCTR24000000	IRFP240	Q116
FCXTT0857000	BC857B	Q117
FCXTT0847000	BC847B	Q118
FCXTT0857000	BC857B	Q119
FCXTT0847000	BC847B	Q120
FCXTT0857000	BC857B	Q121
FCXTT0847000	BC847B	Q122
FCXTT0857000	BC857B	Q123
FCXTT0847000	BC847B	Q124
FCTR0540100	5401	Q125
FCTR0540100	5401	Q126
FCTI24600000	BTB24600B	Q127
FCTI24600000	BTB24600B	Q128
FCTR0540100	5401	Q129
FCTR0540100	5401	Q130
FCTR43700000	BD437	Q131
FCTR43700000	BD437	Q132
FCTR43700000	BD437	Q133
FCTR43700000	BD437	Q134
FCTR47100000	BF471	Q135
FCTR47200000	BF472	Q136
FCTR47100000	BF471	Q137
FCTR47200000	BF472	Q138
FCXTT0857000	BC857B	Q139
FCXTT0847000	BC847B	Q140
FCXTT0857000	BC857B	Q141
FCXTT0847000	BC847B	Q142
FCTR24300000	IRFP9240	Q143
FCTR24000000	IRFP240	Q144
FCTR24300000	IRFP9240	Q145
FCTR24000000	IRFP240	Q146
FCXTT0857000	BC857B	Q147
FCXTT0847000	BC847B	Q148
FCXTT0857000	BC857B	Q149
FCXTT0847000	BC847B	Q150
FCXTT0857000	BC857B	Q151
FCXTT0847000	BC847B	Q152
FCXTT0857000	BC857B	Q153
FCXTT0847000	BC847B	Q154
FCTR0540100	5401	Q155
FCTR0540100	5401	Q156
FCTI24600000	BTB24600B	Q157
FCTI24600000	BTB24600B	Q158
FCTR0540100	5401	Q159
FCTR0540100	5401	Q160
FCTR43700000	BD437	Q161
FCTR43700000	BD437	Q162
FCTR43700000	BD437	Q163
FCTR43700000	BD437	Q164
FCTR47100000	BF471	Q165
FCTR47200000	BF472	Q166

PARTS LIST: PRINTED CIRCUIT 11.0975.03.02

Code	Description	Reference
FCTR47100000	BF471	Q167
FCTR47200000	BF472	Q168
FCXTT0857000	BC857B	Q169
FCXTT0847000	BC847B	Q170
FCXTT0857000	BC857B	Q171
FCXTT0847000	BC847B	Q172
FCTR24300000	IRFP9240	Q173
FCTR24000000	IRFP240	Q174
FCTR24300000	IRFP9240	Q175
FCTR24000000	IRFP240	Q176
FCXTT0857000	BC857B	Q177
FCXTT0847000	BC847B	Q178
FCXTT0857000	BC857B	Q179
FCXTT0847000	BC847B	Q180
FCXTT0857000	BC857B	Q181
FCXTT0847000	BC847B	Q182
FCXTT0857000	BC857B	Q183
FCXTT0847000	BC847B	Q184
FCTR0540100	5401	Q185
FCTR0540100	5401	Q186
FCTI24600000	BTB24600B	Q187
FCTI24600000	BTB24600B	Q188
FCTR0540100	5401	Q189
FCTR0540100	5401	Q190
FCXTT0847000	BC847B	Q191
FCXTT0817000	BC817/25	Q192
FCXTT0817000	BC817/25	Q193
FCXTT0847000	BC847B	Q194
FCXR56100000	1M	R101
FCXR56100000	1M	R102
FCXR54215000	21k5	R103
FCXR54215000	21k5	R104
FCXR54215000	21k5	R105
FCXR54215000	21k5	R106
FCXR54215000	21k5	R107
FCXR54215000	21k5	R108
FCXR55464000	464k	R109
FCXR55464000	464k	R110
FCXR53100000	1k0	R111
FCXR53100000	1k0	R112
FCXR54215000	21k5	R113
FCXR54215000	21k5	R114
FCXR53100000	1k0	R115
FCXR53100000	1k0	R116
FCXR54215000	21k5	R117
FCXR54215000	21k5	R118
FCXR57100000	10M	R119
FCXR53316000	3k16	R120
FCXR57100000	10M	R121
FCXR53316000	3k16	R122
FCXR53100000	1k0	R123
FCXR53100000	1k0	R124
FCXR53100000	1k0	R125
FCXR53100000	1k0	R126
FCXR52511000	511	R127
FCXR52178000	178	R128

PARTS LIST: PRINTED CIRCUIT 11.0975.03.02

Code	Description	Reference
FCXR52511000	511	R129
FCXR52178000	178	R130
FCXR52511000	511	R131
FCXR52178000	178	R132
FCXR52511000	511	R133
FCXR52178000	178	R134
FCXR51562000	56.2	R135
FCXR51562000	56.2	R136
FCXR51562000	56.2	R137
FCXR51562000	56.2	R138
FCXR52681000	681	R139
FCXR52681000	681	R140
FCXR52681000	681	R141
FCXR52681000	681	R142
FCXR52681000	681	R143
FRCR4250000	2k5	R144
FCXR53178000	1k78	R145
FCXR52681000	681	R146
FCXR52681000	681	R147
FRCR4250000	2k5	R148
FCXR53178000	1k78	R149
FCXR52681000	681	R150
FCXR52681000	681	R151
FCXR52681000	681	R152
FCXR52681000	681	R153
FCXR52681000	681	R154
FCXR51562000	56.2	R155
FCXR51562000	56.2	R156
FCXR51562000	56.2	R157
FCXR51562000	56.2	R158
FCXR51562000	56.2	R159
FCXR51562000	56.2	R160
FCXR51562000	56.2	R161
FCXR51562000	56.2	R162
FCXR53162000	1k62	R163
FCXR53162000	1k62	R164
FCXR53162000	1k62	R165
FCXR53162000	1k62	R166
FCXR53100000	1k0	R167
FCXR52464000	464	R168
FCXR52464000	464	R169
FCXR53100000	1k0	R170
FCXR53100000	1k0	R171
FCXR52464000	464	R172
FCXR52464000	464	R173
FCXR53100000	1k0	R174
FCRY00010000	W0.22/5	R175
FCRY00010000	W0.22/5	R176
FCRY00010000	W0.22/5	R177
FCRY00010000	W0.22/5	R178
FRCR51680000	6.8/2 PR02	R179
FRCR51680000	6.8/2 PR02	R180
FCXR54316000	31k6	R181
FCXR54316000	31k6	R182
FCXR54316000	31k6	R183
FCXR54316000	31k6	R184

PARTS LIST: PRINTED CIRCUIT 11.0975.03.02

Code	Description	Reference
FCRP51220000	2.2/2 PR02	R185
FCRP51220000	2.2/2 PR02	R186
FCXR53681000	6k81	R187
FCXR54316000	31k6	R188
FCXR54316000	31k6	R189
FCXR53681000	6k81	R190
FCXR53681000	6k81	R191
FCXR54316000	31k6	R192
FCXR54316000	31k6	R193
FCXR53681000	6k81	R194
FCXR54100000	10k0	R195
FCXR54100000	10k0	R196
FCXR54464000	46k4	R197
FCXR54316000	31k6	R198
FCXR54464000	46k4	R199
FCXR54316000	31k6	R200
FCXR54464000	46k4	R201
FCXR54464000	46k4	R202
FCXR53147000	1k47	R203
FCXR53147000	1k47	R204
FCXR56100000	1M	R205
FCXR56100000	1M	R206
FCXR54215000	21k5	R207
FCXR54215000	21k5	R208
FCXR54215000	21k5	R209
FCXR54215000	21k5	R210
FCXR54215000	21k5	R211
FCXR54215000	21k5	R212
FCXR55464000	464k	R213
FCXR55464000	464k	R214
FCXR53100000	1k0	R215
FCXR53100000	1k0	R216
FCXR54215000	21k5	R217
FCXR54215000	21k5	R218
FCXR53100000	1k0	R219
FCXR53100000	1k0	R220
FCXR54215000	21k5	R221
FCXR54215000	21k5	R222
FCXR57100000	10M	R223
FCXR53316000	3k16	R224
FCXR57100000	10M	R225
FCXR53316000	3k16	R226
FCXR53100000	1k0	R227
FCXR53100000	1k0	R228
FCXR53100000	1k0	R229
FCXR53100000	1k0	R230
FCXR52511000	511	R231
FCXR52178000	178	R232
FCXR52511000	511	R233
FCXR52178000	178	R234
FCXR52511000	511	R235
FCXR52178000	178	R236
FCXR52511000	511	R237
FCXR52178000	178	R238
FCXR51562000	56.2	R239
FCXR51562000	56.2	R240

PARTS LIST: PRINTED CIRCUIT 11.0975.03.02

Code	Description	Reference
FCXR51562000	56.2	R241
FCXR51562000	56.2	R242
FCXR52681000	681	R243
FCXR52681000	681	R244
FCXR52681000	681	R245
FCXR52681000	681	R246
FCXR52681000	681	R247
FRCR52681000	681	R248
FRCR52681000	2k5	R249
FRCR52681000	1k78	R250
FRCR52681000	681	R251
FRCR52681000	681	R252
FRCR52681000	2k5	R253
FRCR52681000	1k78	R254
FRCR52681000	681	R255
FRCR52681000	681	R256
FRCR52681000	681	R257
FRCR52681000	681	R258
FRCR52681000	56.2	R259
FRCR52681000	56.2	R260
FRCR52681000	56.2	R261
FRCR52681000	56.2	R262
FRCR52681000	56.2	R263
FRCR52681000	56.2	R264
FRCR52681000	56.2	R265
FRCR52681000	56.2	R266
FRCR52681000	1k62	R267
FRCR52681000	1k62	R268
FRCR52681000	1k62	R269
FRCR52681000	1k62	R270
FRCR52681000	1k0	R271
FRCR52681000	464	R272
FRCR52681000	464	R273
FRCR52681000	1k0	R274
FRCR52681000	1k0	R275
FRCR52681000	464	R276
FRCR52681000	464	R277
FRCR52681000	1k0	R278
FRCR52681000	W0.22/5	R279
FRCR52681000	W0.22/5	R280
FRCR52681000	W0.22/5	R281
FRCR52681000	W0.22/5	R282
FRCR52681000	6.8/2 PRO2	R283
FRCR52681000	6.8/2 PRO2	R284
FRCR52681000	31k6	R285
FRCR52681000	31k6	R286
FRCR52681000	31k6	R287
FRCR52681000	31k6	R288
FRCR52681000	2.2/2 PRO2	R289
FRCR52681000	2.2/2 PRO2	R290
FRCR52681000	6k81	R291
FRCR52681000	31k6	R292
FRCR52681000	31k6	R293
FRCR52681000	6k81	R294
FRCR52681000	6k81	R295
FRCR52681000	31k6	R296

PARTS LIST: PRINTED CIRCUIT 11.0975.03.02

Code	Description	Reference
FCXR54316000	31k6	R297
FCXR53681000	6k81	R298
FCXR54100000	10k0	R299
FCXR54100000	10k0	R300
FCXR54464000	46k4	R301
FCXR54316000	31k6	R302
FCXR54464000	46k4	R303
FCXR54316000	31k6	R304
FCXR54464000	46k4	R305
FCXR54464000	46k4	R306
FCXR53147000	1k47	R307
FCXR53147000	1k47	R308
FCXR56100000	1M	R309
FCXR56100000	1M	R310
FCXR54215000	21k5	R311
FCXR54215000	21k5	R312
FCXR54215000	21k5	R313
FCXR54215000	21k5	R314
FCXR54215000	21k5	R315
FCXR54215000	21k5	R316
FCXR55464000	464k	R317
FCXR55464000	464k	R318
FCXR53100000	1k0	R319
FCXR53100000	1k0	R320
FCXR54215000	21k5	R321
FCXR54215000	21k5	R322
FCXR53100000	1k0	R323
FCXR53100000	1k0	R324
FCXR54215000	21k5	R325
FCXR54215000	21k5	R326
FCXR57100000	10M	R327
FCXR53316000	3k16	R328
FCXR57100000	10M	R329
FCXR53316000	3k16	R330
FCXR53100000	1k0	R331
FCXR53100000	1k0	R332
FCXR53100000	1k0	R333
FCXR53100000	1k0	R334
FCXR52511000	511	R335
FCXR52178000	178	R336
FCXR52511000	511	R337
FCXR52178000	178	R338
FCXR52511000	511	R339
FCXR52178000	178	R340
FCXR52511000	511	R341
FCXR52178000	178	R342
FCXR51562000	56.2	R343
FCXR51562000	56.2	R344
FCXR51562000	56.2	R345
FCXR51562000	56.2	R346
FCXR52681000	681	R347
FCXR52681000	681	R348
FCXR52681000	681	R349
FCXR52681000	681	R350
FCXR52681000	681	R351
FCRJG4250000	2k5	R352

PARTS LIST: PRINTED CIRCUIT 11.0975.03.02

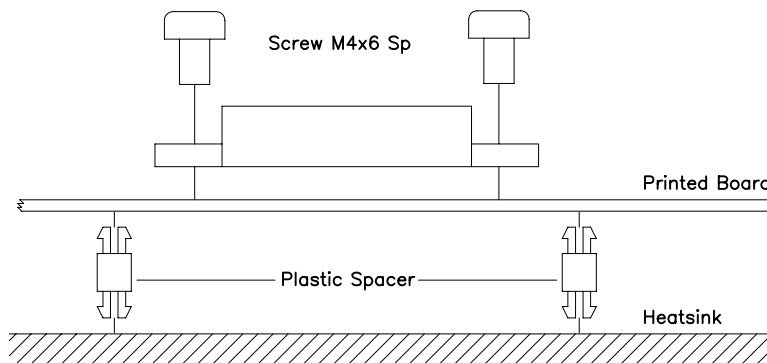
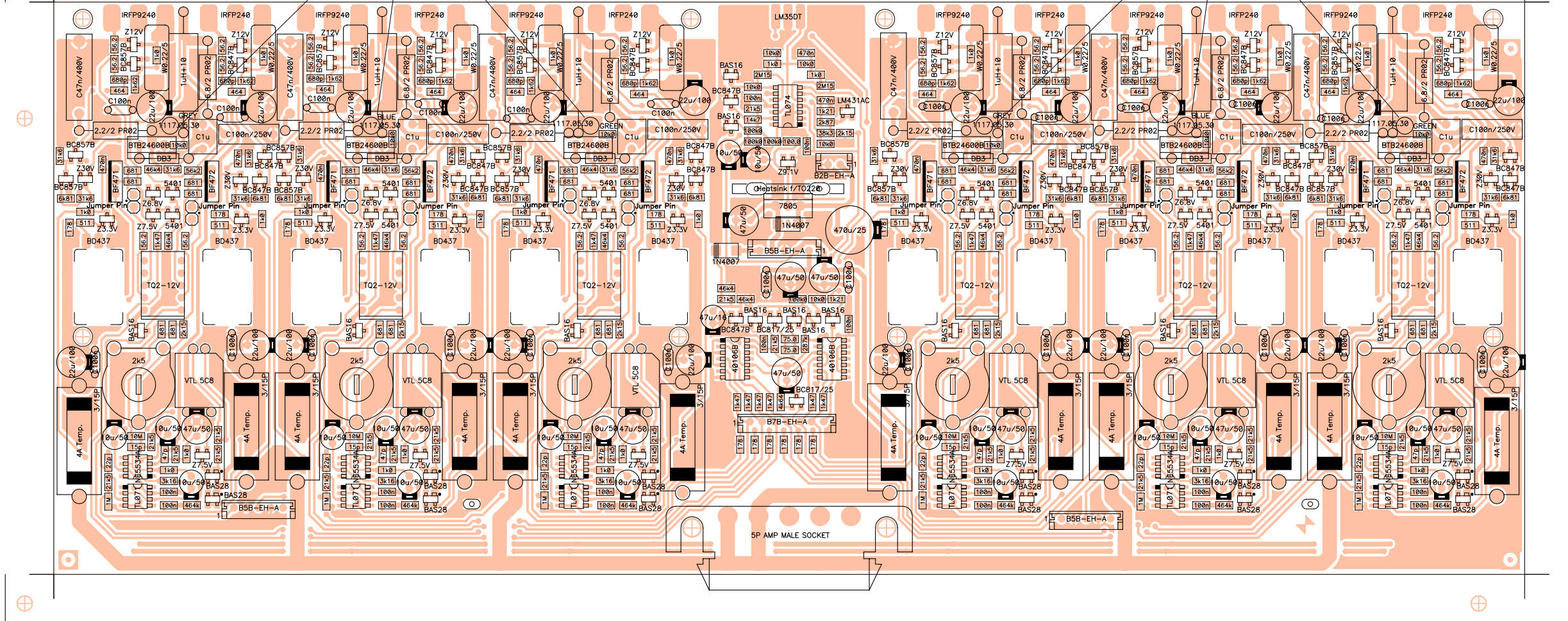
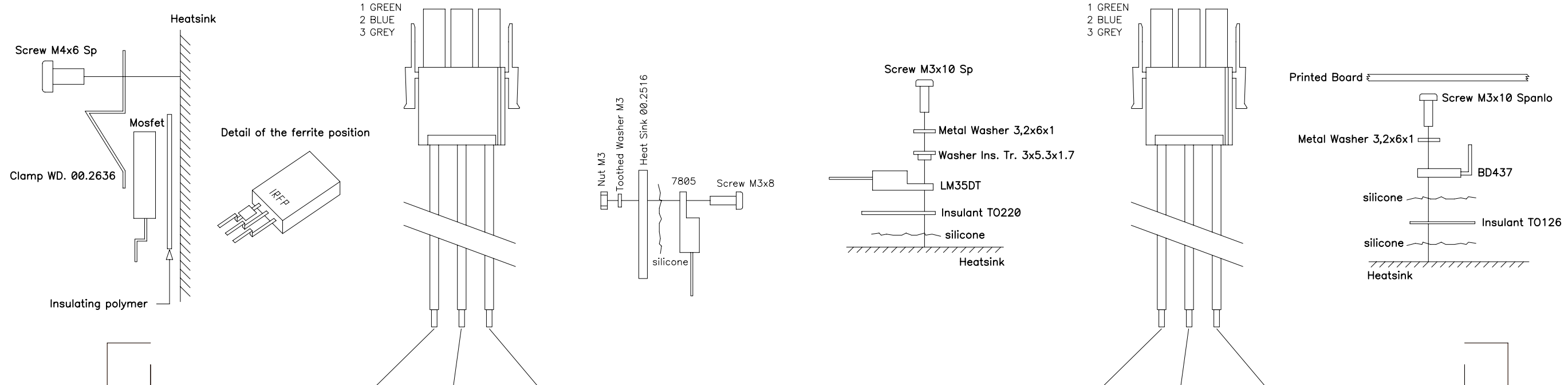
Code	Description	Reference
FCXR53178000	1k78	R353
FCXR52681000	681	R354
FCXR52681000	681	R355
FCRJG4250000	2k5	R356
FCXR53178000	1k78	R357
FCXR52681000	681	R358
FCXR52681000	681	R359
FCXR52681000	681	R360
FCXR52681000	681	R361
FCXR52681000	681	R362
FCXR51562000	56.2	R363
FCXR51562000	56.2	R364
FCXR51562000	56.2	R365
FCXR51562000	56.2	R366
FCXR51562000	56.2	R367
FCXR51562000	56.2	R368
FCXR51562000	56.2	R369
FCXR51562000	56.2	R370
FCXR53162000	1k62	R371
FCXR53162000	1k62	R372
FCXR53162000	1k62	R373
FCXR53162000	1k62	R374
FCXR53100000	1k0	R375
FCXR52464000	464	R376
FCXR52464000	464	R377
FCXR53100000	1k0	R378
FCXR53100000	1k0	R379
FCXR52464000	464	R380
FCXR52464000	464	R381
FCXR53100000	1k0	R382
FCRY00010000	W0.22/5	R383
FCRY00010000	W0.22/5	R384
FCRY00010000	W0.22/5	R385
FCRY00010000	W0.22/5	R386
FCRP51680000	6.8/2 PR02	R387
FCRP51680000	6.8/2 PR02	R388
FCXR54316000	31k6	R389
FCXR54316000	31k6	R390
FCXR54316000	31k6	R391
FCXR54316000	31k6	R392
FCRP51220000	2.2/2 PR02	R393
FCRP51220000	2.2/2 PR02	R394
FCXR53681000	6k81	R395
FCXR54316000	31k6	R396
FCXR54316000	31k6	R397
FCXR53681000	6k81	R398
FCXR53681000	6k81	R399
FCXR54316000	31k6	R400
FCXR54316000	31k6	R401
FCXR53681000	6k81	R402
FCXR54100000	10k0	R403
FCXR54100000	10k0	R404
FCXR54464000	46k4	R405
FCXR54316000	31k6	R406
FCXR54464000	46k4	R407
FCXR54316000	31k6	R408


PARTS LIST: PRINTED CIRCUIT 11.0975.03.02

Code	Description	Reference
FCXR54464000	46k4	R409
FCXR54464000	46k4	R410
FCXR53147000	1k47	R411
FCXR53147000	1k47	R412
FCXR54464000	46k4	R413
FCXR54215000	21k5	R414
FCXR54464000	46k4	R415
FCXR54215000	21k5	R416
FCXR55100000	100k0	R417
FCXR51750000	75.0	R418
FCXR51750000	75.0	R419
FCXR55287000	287k	R420
FCXR53147000	1k47	R421
FCXR53147000	1k47	R422
FCXR53147000	1k47	R423
FCXR53147000	1k47	R424
FCXR53147000	1k47	R425
FCXR53147000	1k47	R426
FCXR53464000	4k64	R427
FCXR52178000	178	R428
FCXR52178000	178	R429
FCXR52178000	178	R430
FCXR52178000	178	R431
FCXR52178000	178	R432
FCXR52178000	178	R433
FCXR53215000	2k15	R434
FCXR54100000	10k0	R435
FCXR54100000	10k0	R436
FCXR55100000	100k0	R437
FCXR55100000	100k0	R438
FCXR53100000	1k0	R439
FCXR54383000	38k3	R440
FCXR53100000	1k0	R441
FCXR53287000	2k87	R442
FCXR54215000	21k5	R443
FCXR54100000	10k0	R444
FCXR54100000	10k0	R445
FCXR56215000	2M15	R446
FCXR53121000	1k21	R447
FCXR55100000	100k0	R448
FCXR54147000	14k7	R449
FCXR56215000	2M15	R450
FCXR52100000	100.0	R451
FCXR54100000	10k0	R452
FCXR53121000	1k21	R453
FCXR54562000	56k2	R454
FCXR54562000	56k2	R455
FCXR54562000	56k2	R456
FCXR54562000	56k2	R457
FCXR54562000	56k2	R458
FCXR54562000	56k2	R459
FCT804006000	Screw M4x6 SPAN	SC100
FCT804006000	Screw M4x6 SPAN	SC101
FCT804006000	Screw M4x6 SPAN	SC102
FCT804006000	Screw M4x6 SPAN	SC103
FCT804006000	Screw M4x6 SPAN	SC104

PARTS LIST: PRINTED CIRCUIT 11.0975.03.02

Code	Description	Reference
FCT804006000	Screw M4x6 SPAN	SC105
FCT803010000	Screw M3x10 SPA	SC106
FCT803010000	Screw M3x10 SPA	SC107
FCT803010000	Screw M3x10 SPA	SC108
FCT803010000	Screw M3x10 SPA	SC109
FCT803010000	Screw M3x10 SPA	SC110
FCT803010000	Screw M3x10 SPA	SC111
FCT803010000	Screw M3x10 SPA	SC112
FCT803010000	Screw M3x10 SPA	SC113
FCT803010000	Screw M3x10 SPA	SC114
FCT803010000	Screw M3x10 SPA	SC115
FCT803010000	Screw M3x10 SPA	SC116
FCT803010000	Screw M3x10 SPA	SC117
FCT803010000	Screw M3x10 SPA	SC118
FCT804006000	Screw M4x6 SPAN	SC119
FCT804006000	Screw M4x6 SPAN	SC120
FCT750300800	Screw M3x8	SC121
FCSEPDLMSPM0	Plastic Spacer	SP100
FCSEPDLMSPM0	Plastic Spacer	SP101
FCSEPDLMSPM0	Plastic Spacer	SP102
FCSEPDLMSPM0	Plastic Spacer	SP103
FCSEPDLMSPM0	Plastic Spacer	SP104
FCSEPDLMSPM0	Plastic Spacer	SP105
FCSEPDLMSPM0	Plastic Spacer	SP106
FCSEPDLMSPM0	Plastic Spacer	SP107
FCARAT000000	Washer Ins. Tr. 3x5.3x1.7	WA100
FCARM3201000	Metal Washer 3.2x6x1	WA101
FCARM3201000	Metal Washer 3.2x6x1	WA102
FCARM3201000	Metal Washer 3.2x6x1	WA103
FCARM3201000	Metal Washer 3.2x6x1	WA104
FCARM3201000	Metal Washer 3.2x6x1	WA105
FCARM3201000	Metal Washer 3.2x6x1	WA106
FCARM3201000	Metal Washer 3.2x6x1	WA107
FCARM3201000	Metal Washer 3.2x6x1	WA108
FCARM3201000	Metal Washer 3.2x6x1	WA109
FCARM3201000	Metal Washer 3.2x6x1	WA110
FCARM3201000	Metal Washer 3.2x6x1	WA111
FCARM3201000	Metal Washer 3.2x6x1	WA112
FCARM3201000	Metal Washer 3.2x6x1	WA113
FCARDE030000	Toothed Washer f/M3	WA114
FCOH11753000	1117.05.30	WI102
FCOH11753000	1117.05.30	WI105



 LABORATORIO DE ELECTRO-ACUSTICA S.A.	related to:	circuit no: 11.0975-03.00 schema no: 10.0652-01.02 insertion file no: 81.0081-01.00	side: Component
	project n: EP02-03	title:	view: Value
number: 33.0850	version: 01.03	product n: MPA6-150	Power ct.
drawn by: M. Amoros	date: 031112	approved: Angel Sanuy	

PARTS LIST: PRINTED CIRCUIT 11.0975.03.01

Code	Description	Reference
FCXCD1220000	22p	C101
FCXCD1220000	22p	C102
FCCE25047000	47u/50	C103
FCCE25047000	47u/50	C104
FCXCD4100000	100n	C105
FCXCD4100000	100n	C106
FCCE25010000	10u/50	C107
FCCE25010000	10u/50	C108
FCCE25047000	47u/50	C109
FCCE25047000	47u/50	C110
FCXCD1470000	47p	C111
FCXCD1470000	47p	C112
FCXCD4100000	100n	C113
FCCE25010000	10u/50	C114
FCCE25010000	10u/50	C116
FCXCD1150000	15p	C117
FCXCD1150000	15p	C118
FCCE25010000	10u/50	C119
FCXCD4100000	100n	C120
FCCE25010000	10u/50	C121
FCXCD4470000	470n	C123
FCXCD4470000	470n	C124
FCXCD4470000	470n	C125
FCXCD4470000	470n	C126
FCCE35022000	22u/100	C127
FCCE35022000	22u/100	C128
FCCE35022000	22u/100	C129
FCCE35022000	22u/100	C130
FCCC15101000	C100n	C131
FCCC15101000	C100n	C132
FCCC15101000	C100n	C133
FCCC15101000	C100n	C134
FCXCD2680000	680p	C135
FCXCD2680000	680p	C136
FCXCD2680000	680p	C137
FCXCD2680000	680p	C138
FCCDN1100000	C100n/250V	C139
FCCDN1100000	C100n/250V	C140
FCCDH7104700	C47n/400V	C141
FCCDH7104700	C47n/400V	C142
FCCDK2001000	C1u	C143
FCCDK2001000	C1u	C144
FCXCD1220000	22p	C145
FCXCD1220000	22p	C146
FCCC15101000	C100n	C147
FCCE35022000	22u/100	C148
FCCE25010000	10u/50	C151
FCCE25010000	10u/50	C152
FCCE25047000	47u/50	C153
FCCE25047000	47u/50	C154
FCXCD1470000	47p	C155
FCXCD1470000	47p	C156
FCXCD4100000	100n	C157
FCCE25010000	10u/50	C158
FCXCD4100000	100n	C159
FCCE25010000	10u/50	C160

PARTS LIST: PRINTED CIRCUIT 11.0975.03.01

Code	Description	Reference
FCXCD1150000	15p	C161
FCXCD1150000	15p	C162
FCCE25010000	10u/50	C163
FCXCD4100000	100n	C164
FCCE25010000	10u/50	C165
FCXCD4100000	100n	C166
FCXCD4470000	470n	C167
FCXCD4470000	470n	C168
FCXCD4470000	470n	C169
FCXCD4470000	470n	C170
FCCE35022000	22u/100	C171
FCCE35022000	22u/100	C172
FCCE35022000	22u/100	C173
FCCE35022000	22u/100	C174
FCCC15101000	C100n	C175
FCCC15101000	C100n	C176
FCCC15101000	C100n	C177
FCCC15101000	C100n	C178
FCXCD2680000	680p	C179
FCXCD2680000	680p	C180
FCXCD2680000	680p	C181
FCXCD2680000	680p	C182
FCCDN1100000	C100n/250V	C183
FCCDN1100000	C100n/250V	C184
FCCDH7104700	C47n/400V	C185
FCCDH7104700	C47n/400V	C186
FCCDK2001000	C1u	C187
FCCDK2001000	C1u	C188
FCXCD1220000	22p	C189
FCXCD1220000	22p	C190
FCCE25010000	10u/50	C195
FCCE25010000	10u/50	C196
FCCE25047000	47u/50	C197
FCCE25047000	47u/50	C198
FCXCD1470000	47p	C199
FCXCD1470000	47p	C200
FCXCD4100000	100n	C201
FCCE25010000	10u/50	C202
FCXCD4100000	100n	C203
FCCE25010000	10u/50	C204
FCXCD1150000	15p	C205
FCXCD1150000	15p	C206
FCCE25010000	10u/50	C207
FCXCD4100000	100n	C208
FCCE25010000	10u/50	C209
FCXCD4100000	100n	C210
FCXCD4470000	470n	C211
FCXCD4470000	470n	C212
FCXCD4470000	470n	C213
FCXCD4470000	470n	C214
FCCE35022000	22u/100	C215
FCCE35022000	22u/100	C216
FCCE35022000	22u/100	C217
FCCE35022000	22u/100	C218
FCCC15101000	C100n	C219
FCCC15101000	C100n	C220

PARTS LIST: PRINTED CIRCUIT 11.0975.03.01

Code	Description	Reference
FCCC15101000	C100n	C221
FCCC15101000	C100n	C222
FCXCD2680000	680p	C223
FCXCD2680000	680p	C224
FCXCD2680000	680p	C225
FCXCD2680000	680p	C226
FCCDN1100000	C100n/250V	C227
FCCDN1100000	C100n/250V	C228
FCCDH7104700	C47n/400V	C229
FCCDH7104700	C47n/400V	C230
FCCDK2001000	C1u	C231
FCCDK2001000	C1u	C232
FCCE10000000	47u/16	C233
FCXCD4100000	100n	C234
FCCE25047000	47u/50	C235
FCXCD4100000	100n	C236
FCCE25010000	10u/50	C237
FCXCD4100000	100n	C238
FCXCD4100000	100n	C239
FCXCD4470000	470n	C240
FCXCD4470000	470n	C241
FCCE25047000	47u/50	C242
FCCE25010000	10u/50	C243
FCCE15470000	470u/25	C244
FCCC15101000	C100n	C245
FCCE35022000	22u/100	C246
FCCE35022000	22u/100	C247
FCCC15101000	C100n	C248
FCCC15101000	C100n	C249
FCCE35022000	22u/100	C250
FCCE35022000	22u/100	C251
FCCC15101000	C100n	C252
FCCE35022000	22u/100	C253
FCCC15101000	C100n	C254
FCCE35022000	22u/100	C255
FCCC15101000	C100n	C256
FCCE35022000	22u/100	C257
FCCC15101000	C100n	C258
FCCE35022000	22u/100	C259
FCCC15101000	C100n	C260
FCCE35022000	22u/100	C261
FCCC15101000	C100n	C262
FCCE35022000	22u/100	C263
FCCC15101000	C100n	C264
FCCE35022000	22u/100	C265
FCCC15101000	C100n	C266
FCCC15101000	C100n	C267
FCCC15101000	C100n	C268
FCCI09750000	Printed Board 11.0975	CI101
FCXZ00007500	Z7.5V	D101
FCXZ00007500	Z7.5V	D102
FCXDDBAS2800	BAS28	D103
FCXDDBAS2800	BAS28	D104
FCXDDBAS2800	BAS28	D105
FCXDDBAS2800	BAS28	D106
FCXDDBAS1600	BAS16	D107

PARTS LIST: PRINTED CIRCUIT 11.0975.03.01

Code	Description	Reference
FCXDDBAS1600	BAS16	D108
FCXZ00003300	Z3.3V	D109
FCXZ00003300	Z3.3V	D110
FCXZ00003300	Z3.3V	D111
FCXZ00003300	Z3.3V	D112
FCXZ00012000	Z12V	D113
FCXZ00012000	Z12V	D114
FCXZ00012000	Z12V	D115
FCXZ00012000	Z12V	D116
FCXZ00030000	Z30V	D117
FCXZ00030000	Z30V	D118
FCXZ00030000	Z30V	D119
FCXZ00030000	Z30V	D120
FCDIDB300000	DB3	D121
FCDIDB300000	DB3	D122
FCXZ00006800	Z6.8V	D123
FCXZ00006800	Z6.8V	D124
FCXZ00007500	Z7.5V	D125
FCXZ00007500	Z7.5V	D126
FCXZ00007500	Z7.5V	D127
FCXZ00007500	Z7.5V	D128
FCXDDBAS2800	BAS28	D129
FCXDDBAS2800	BAS28	D130
FCXDDBAS2800	BAS28	D131
FCXDDBAS2800	BAS28	D132
FCXDDBAS1600	BAS16	D133
FCXDDBAS1600	BAS16	D134
FCXZ00003300	Z3.3V	D135
FCXZ00003300	Z3.3V	D136
FCXZ00003300	Z3.3V	D137
FCXZ00003300	Z3.3V	D138
FCXZ00012000	Z12V	D139
FCXZ00012000	Z12V	D140
FCXZ00012000	Z12V	D141
FCXZ00012000	Z12V	D142
FCXZ00030000	Z30V	D143
FCXZ00030000	Z30V	D144
FCXZ00030000	Z30V	D145
FCXZ00030000	Z30V	D146
FCDIDB300000	DB3	D147
FCDIDB300000	DB3	D148
FCXZ00006800	Z6.8V	D149
FCXZ00006800	Z6.8V	D150
FCXZ00007500	Z7.5V	D151
FCXZ00007500	Z7.5V	D152
FCXZ00007500	Z7.5V	D153
FCXZ00007500	Z7.5V	D154
FCXDDBAS2800	BAS28	D155
FCXDDBAS2800	BAS28	D156
FCXDDBAS2800	BAS28	D157
FCXDDBAS2800	BAS28	D158
FCXDDBAS1600	BAS16	D159
FCXDDBAS1600	BAS16	D160
FCXZ00003300	Z3.3V	D161
FCXZ00003300	Z3.3V	D162
FCXZ00003300	Z3.3V	D163

PARTS LIST: PRINTED CIRCUIT 11.0975.03.01

Code	Description	Reference
FCXZ00003300	Z3.3V	D164
FCXZ00012000	Z12V	D165
FCXZ00012000	Z12V	D166
FCXZ00012000	Z12V	D167
FCXZ00012000	Z12V	D168
FCXZ00030000	Z30V	D169
FCXZ00030000	Z30V	D170
FCXZ00030000	Z30V	D171
FCXZ00030000	Z30V	D172
FCDIDB300000	DB3	D173
FCDIDB300000	DB3	D174
FCXZ00006800	Z6.8V	D175
FCXZ00006800	Z6.8V	D176
FCXZ00007500	Z7.5V	D177
FCXZ00007500	Z7.5V	D178
FCXDD4007000	1N4007	D179
FCXDDBAS1600	BAS16	D180
FCXDDBAS1600	BAS16	D181
FCXDDBAS1600	BAS16	D182
FCXDDBAS1600	BAS16	D183
FCXDDBAS1600	BAS16	D184
FCXDDBAS1600	BAS16	D185
FCXDD4007000	1N4007	D186
FCXZ00009100	Z9.1V	D187
FCFUS5020000	4A Temp.	F101
FCFUS5020000	4A Temp.	F102
FCFUS5020000	4A Temp.	F103
FCFUS5020000	4A Temp.	F104
FCFUS5020000	4A Temp.	F105
FCFUS5020000	4A Temp.	F106
FCFUS5020000	4A Temp.	F107
FCFUS5020000	4A Temp.	F108
FCFUS5020000	4A Temp.	F109
FCFUS5020000	4A Temp.	F110
FCFUS5020000	4A Temp.	F111
FCFUS5020000	4A Temp.	F112
FCFER4322000	Ferrite	FB101
FCFER4322000	Ferrite	FB102
FCFER4322000	Ferrite	FB103
FCFER4322000	Ferrite	FB104
FCFER4322000	Ferrite	FB105
FCFER4322000	Ferrite	FB106
FCFER4322000	Ferrite	FB107
FCFER4322000	Ferrite	FB108
FCFER4322000	Ferrite	FB109
FCFER4322000	Ferrite	FB110
FCFER4322000	Ferrite	FB111
FCFER4322000	Ferrite	FB112
FP0251600000	Heatsink f/TO220	HS101
FCRAD2788000	Heatsink	HS102
FCOPTVTL5000	VTL 5C8	IC101
FCOPTVTL5000	VTL 5C8	IC102
FCIC07101000	TL071	IC103
FCIC07101000	TL071	IC104
FCIC55341000	NE5534A	IC105
FCIC55341000	NE5534A	IC106

PARTS LIST: PRINTED CIRCUIT 11.0975.03.01

Code	Description	Reference
FCOPTVTL5000	VTL 5C8	IC107
FCOPTVTL5000	VTL 5C8	IC108
FCIC55341000	NE5534A	IC110
FCIC55341000	NE5534A	IC111
FCOPTVTL5000	VTL 5C8	IC112
FCOPTVTL5000	VTL 5C8	IC113
FCIC55341000	NE5534A	IC114
FCIC55341000	NE5534A	IC115
FCIC40106000	40106B	IC116
FCIC40106000	40106B	IC117
FCIC43101000	LM431AC	IC118
FCIC35DT0000	LM35DT	IC119
FCIC07401000	TL074	IC120
FCREG7805000	7805	IC121
FCIC07101000	TL071	IC123
FCIC07101000	TL071	IC124
FCIC07101000	TL071	IC125
FCIC07101000	TL071	IC126
FCTIRKON0000	Insulating polymer	IN100
FCTIRKON0000	Insulating polymer	IN101
FCMICTO22000	Insulant TO220	IN102
FCMICTO12600	Insulant TO126	IN103
FCMICTO12600	Insulant TO126	IN104
FCMICTO12600	Insulant TO126	IN105
FCMICTO12600	Insulant TO126	IN106
FCMICTO12600	Insulant TO126	IN107
FCMICTO12600	Insulant TO126	IN108
FCMICTO12600	Insulant TO126	IN109
FCMICTO12600	Insulant TO126	IN110
FCMICTO12600	Insulant TO126	IN111
FCMICTO12600	Insulant TO126	IN112
FCMICTO12600	Insulant TO126	IN113
FCMICTO12600	Insulant TO126	IN114
FCTERM010000	Jumper Pin	J102
FCTERM010000	Jumper Pin	J103
FCTERM010000	Jumper Pin	J104
FCTERM010000	Jumper Pin	J105
FCTERM010000	Jumper Pin	J106
FCTERM010000	Jumper Pin	J107
FCTERM010000	Jumper Pin	J108
FCTERM010000	Jumper Pin	J109
FCTERM010000	Jumper Pin	J110
FCTERM010000	Jumper Pin	J111
FCTERM010000	Jumper Pin	J112
FCTERM010000	Jumper Pin	J113
FCTERM010000	Jumper Pin	J114
FCTERM010000	Jumper Pin	J115
FCTERM010000	Jumper Pin	J116
FCTERM010000	Jumper Pin	J117
FCTERM010000	Jumper Pin	J118
FCTERM010000	Jumper Pin	J119
FCTERM010000	Jumper Pin	J120
FCTERM010000	Jumper Pin	J121
FCTERM010000	Jumper Pin	J122
FCTERM010000	Jumper Pin	J123
FCTERM010000	Jumper Pin	J124

PARTS LIST: PRINTED CIRCUIT 11.0975.03.01

Code	Description	Reference
FCTERM010000	Jumper Pin	J125
FCCTM0007000	B7B-EH-A	J128
FCCTM0002000	B2B-EH-A	J129
FCCTM0005000	B5B-EH-A	J130
FCCTAMP15000	5P AMP MALE SOCKET	J131
FCCTM0005000	B5B-EH-A	J134
FCCTM0005000	B5B-EH-A	J135
FCRELO030000	TQ2-12V	K101
FCRELO030000	TQ2-12V	K102
FCRELO030000	TQ2-12V	K103
FCRELO030000	TQ2-12V	K104
FCRELO030000	TQ2-12V	K105
FCRELO030000	TQ2-12V	K106
FRIND0020000	1uH + 10	L101
FRIND0020000	1uH + 10	L102
FRIND0020000	1uH + 10	L103
FRIND0020000	1uH + 10	L104
FRIND0020000	1uH + 10	L105
FRIND0020000	1uH + 10	L106
FCMJ00010000	Jumper	MJ101
FCMJ00010000	Jumper	MJ102
FCMJ00010000	Jumper	MJ103
FCMJ00010000	Jumper	MJ104
FCMJ00010000	Jumper	MJ105
FCMJ00010000	Jumper	MJ106
FCMJ00010000	Jumper	MJ107
FCMJ00010000	Jumper	MJ108
FCMJ00010000	Jumper	MJ109
FCMJ00010000	Jumper	MJ110
FCMJ00010000	Jumper	MJ111
FCMJ00010000	Jumper	MJ112
FCPINZAM0000	Clamp WD. 00.2636	MP100
FCPINZAM0000	Clamp WD. 00.2636	MP101
FCTUE0030000	Nut M3	NV100
FCPORF315000	3/15P	PF101
FCPORF315000	3/15P	PF102
FCPORF315000	3/15P	PF103
FCPORF315000	3/15P	PF104
FCPORF315000	3/15P	PF105
FCPORF315000	3/15P	PF106
FCPORF315000	3/15P	PF107
FCPORF315000	3/15P	PF108
FCPORF315000	3/15P	PF109
FCPORF315000	3/15P	PF110
FCPORF315000	3/15P	PF111
FCPORF315000	3/15P	PF112
FCTR43700000	BD437	Q101
FCTR43700000	BD437	Q102
FCTR43700000	BD437	Q103
FCTR43700000	BD437	Q104
FCTR47100000	BF471	Q105
FCTR47200000	BF472	Q106
FCTR47100000	BF471	Q107
FCTR47200000	BF472	Q108
FCXTT0857000	BC857B	Q109
FCXTT0847000	BC847B	Q110

PARTS LIST: PRINTED CIRCUIT 11.0975.03.01

Code	Description	Reference
FCXTT0857000	BC857B	Q111
FCXTT0847000	BC847B	Q112
FCTR24300000	IRFP9240	Q113
FCTR24000000	IRFP240	Q114
FCTR24300000	IRFP9240	Q115
FCTR24000000	IRFP240	Q116
FCXTT0857000	BC857B	Q117
FCXTT0847000	BC847B	Q118
FCXTT0857000	BC857B	Q119
FCXTT0847000	BC847B	Q120
FCXTT0857000	BC857B	Q121
FCXTT0847000	BC847B	Q122
FCXTT0857000	BC857B	Q123
FCXTT0847000	BC847B	Q124
FCTR0540100	5401	Q125
FCTR0540100	5401	Q126
FCTI24600000	BTB24600B	Q127
FCTI24600000	BTB24600B	Q128
FCTR0540100	5401	Q129
FCTR0540100	5401	Q130
FCTR43700000	BD437	Q131
FCTR43700000	BD437	Q132
FCTR43700000	BD437	Q133
FCTR43700000	BD437	Q134
FCTR47100000	BF471	Q135
FCTR47200000	BF472	Q136
FCTR47100000	BF471	Q137
FCTR47200000	BF472	Q138
FCXTT0857000	BC857B	Q139
FCXTT0847000	BC847B	Q140
FCXTT0857000	BC857B	Q141
FCXTT0847000	BC847B	Q142
FCTR24300000	IRFP9240	Q143
FCTR24000000	IRFP240	Q144
FCTR24300000	IRFP9240	Q145
FCTR24000000	IRFP240	Q146
FCXTT0857000	BC857B	Q147
FCXTT0847000	BC847B	Q148
FCXTT0857000	BC857B	Q149
FCXTT0847000	BC847B	Q150
FCXTT0857000	BC857B	Q151
FCXTT0847000	BC847B	Q152
FCXTT0857000	BC857B	Q153
FCXTT0847000	BC847B	Q154
FCTR0540100	5401	Q155
FCTR0540100	5401	Q156
FCTI24600000	BTB24600B	Q157
FCTI24600000	BTB24600B	Q158
FCTR0540100	5401	Q159
FCTR0540100	5401	Q160
FCTR43700000	BD437	Q161
FCTR43700000	BD437	Q162
FCTR43700000	BD437	Q163
FCTR43700000	BD437	Q164
FCTR47100000	BF471	Q165
FCTR47200000	BF472	Q166

PARTS LIST: PRINTED CIRCUIT 11.0975.03.01

Code	Description	Reference
FCTR47100000	BF471	Q167
FCTR47200000	BF472	Q168
FCXTT0857000	BC857B	Q169
FCXTT0847000	BC847B	Q170
FCXTT0857000	BC857B	Q171
FCXTT0847000	BC847B	Q172
FCTR24300000	IRFP9240	Q173
FCTR24000000	IRFP240	Q174
FCTR24300000	IRFP9240	Q175
FCTR24000000	IRFP240	Q176
FCXTT0857000	BC857B	Q177
FCXTT0847000	BC847B	Q178
FCXTT0857000	BC857B	Q179
FCXTT0847000	BC847B	Q180
FCXTT0857000	BC857B	Q181
FCXTT0847000	BC847B	Q182
FCXTT0857000	BC857B	Q183
FCXTT0847000	BC847B	Q184
FCTR0540100	5401	Q185
FCTR0540100	5401	Q186
FCTI24600000	BTB24600B	Q187
FCTI24600000	BTB24600B	Q188
FCTR0540100	5401	Q189
FCTR0540100	5401	Q190
FCXTT0847000	BC847B	Q191
FCXTT0817000	BC817/25	Q192
FCXTT0817000	BC817/25	Q193
FCXTT0847000	BC847B	Q194
FCXR56100000	1M	R101
FCXR56100000	1M	R102
FCXR54215000	21k5	R103
FCXR54215000	21k5	R104
FCXR54215000	21k5	R105
FCXR54215000	21k5	R106
FCXR54215000	21k5	R107
FCXR54215000	21k5	R108
FCXR55464000	464k	R109
FCXR55464000	464k	R110
FCXR53100000	1k0	R111
FCXR53100000	1k0	R112
FCXR54215000	21k5	R113
FCXR54215000	21k5	R114
FCXR53100000	1k0	R115
FCXR53100000	1k0	R116
FCXR54215000	21k5	R117
FCXR54215000	21k5	R118
FCXR57100000	10M	R119
FCXR53316000	3k16	R120
FCXR57100000	10M	R121
FCXR53316000	3k16	R122
FCXR53100000	1k0	R123
FCXR53100000	1k0	R124
FCXR53100000	1k0	R125
FCXR53100000	1k0	R126
FCXR52511000	511	R127
FCXR52178000	178	R128

PARTS LIST: PRINTED CIRCUIT 11.0975.03.01

Code	Description	Reference
FCXR52511000	511	R129
FCXR52178000	178	R130
FCXR52511000	511	R131
FCXR52178000	178	R132
FCXR52511000	511	R133
FCXR52178000	178	R134
FCXR51562000	56.2	R135
FCXR51562000	56.2	R136
FCXR51562000	56.2	R137
FCXR51562000	56.2	R138
FCXR52681000	681	R139
FCXR52681000	681	R140
FCXR52681000	681	R141
FCXR52681000	681	R142
FCXR52681000	681	R143
FCRJG4250000	2k5	R144
FCXR53215000	2k15	R145
FCXR52681000	681	R146
FCXR52681000	681	R147
FCRJG4250000	2k5	R148
FCXR53215000	2k15	R149
FCXR52681000	681	R150
FCXR52681000	681	R151
FCXR52681000	681	R152
FCXR52681000	681	R153
FCXR52681000	681	R154
FCXR51562000	56.2	R155
FCXR51562000	56.2	R156
FCXR51562000	56.2	R157
FCXR51562000	56.2	R158
FCXR51562000	56.2	R159
FCXR51562000	56.2	R160
FCXR51562000	56.2	R161
FCXR51562000	56.2	R162
FCXR53162000	1k62	R163
FCXR53162000	1k62	R164
FCXR53162000	1k62	R165
FCXR53162000	1k62	R166
FCXR53100000	1k0	R167
FCXR52464000	464	R168
FCXR52464000	464	R169
FCXR53100000	1k0	R170
FCXR53100000	1k0	R171
FCXR52464000	464	R172
FCXR52464000	464	R173
FCXR53100000	1k0	R174
FCRY00010000	W0.22/5	R175
FCRY00010000	W0.22/5	R176
FCRY00010000	W0.22/5	R177
FCRY00010000	W0.22/5	R178
FCRP51680000	6.8/2 PR02	R179
FCRP51680000	6.8/2 PR02	R180
FCXR54316000	31k6	R181
FCXR54316000	31k6	R182
FCXR54316000	31k6	R183
FCXR54316000	31k6	R184

PARTS LIST: PRINTED CIRCUIT 11.0975.03.01

Code	Description	Reference
FCRP51220000	2.2/2 PR02	R185
FCRP51220000	2.2/2 PR02	R186
FCXR53681000	6k81	R187
FCXR54316000	31k6	R188
FCXR54316000	31k6	R189
FCXR53681000	6k81	R190
FCXR53681000	6k81	R191
FCXR54316000	31k6	R192
FCXR54316000	31k6	R193
FCXR53681000	6k81	R194
FCXR54100000	10k0	R195
FCXR54100000	10k0	R196
FCXR54464000	46k4	R197
FCXR54316000	31k6	R198
FCXR54464000	46k4	R199
FCXR54316000	31k6	R200
FCXR54464000	46k4	R201
FCXR54464000	46k4	R202
FCXR53147000	1k47	R203
FCXR53147000	1k47	R204
FCXR56100000	1M	R205
FCXR56100000	1M	R206
FCXR54215000	21k5	R207
FCXR54215000	21k5	R208
FCXR54215000	21k5	R209
FCXR54215000	21k5	R210
FCXR54215000	21k5	R211
FCXR54215000	21k5	R212
FCXR55464000	464k	R213
FCXR55464000	464k	R214
FCXR53100000	1k0	R215
FCXR53100000	1k0	R216
FCXR54215000	21k5	R217
FCXR54215000	21k5	R218
FCXR53100000	1k0	R219
FCXR53100000	1k0	R220
FCXR54215000	21k5	R221
FCXR54215000	21k5	R222
FCXR57100000	10M	R223
FCXR53316000	3k16	R224
FCXR57100000	10M	R225
FCXR53316000	3k16	R226
FCXR53100000	1k0	R227
FCXR53100000	1k0	R228
FCXR53100000	1k0	R229
FCXR53100000	1k0	R230
FCXR52511000	511	R231
FCXR52178000	178	R232
FCXR52511000	511	R233
FCXR52178000	178	R234
FCXR52511000	511	R235
FCXR52178000	178	R236
FCXR52511000	511	R237
FCXR52178000	178	R238
FCXR51562000	56.2	R239
FCXR51562000	56.2	R240

PARTS LIST: PRINTED CIRCUIT 11.0975.03.01

Code	Description	Reference
FCXR51562000	56.2	R241
FCXR51562000	56.2	R242
FCXR52681000	681	R243
FCXR52681000	681	R244
FCXR52681000	681	R245
FCXR52681000	681	R246
FCXR52681000	681	R247
FRCR4250000	2k5	R248
FCXR53215000	2k15	R249
FCXR52681000	681	R250
FCXR52681000	681	R251
FRCR4250000	2k5	R252
FCXR53215000	2k15	R253
FCXR52681000	681	R254
FCXR52681000	681	R255
FCXR52681000	681	R256
FCXR52681000	681	R257
FCXR52681000	681	R258
FCXR51562000	56.2	R259
FCXR51562000	56.2	R260
FCXR51562000	56.2	R261
FCXR51562000	56.2	R262
FCXR51562000	56.2	R263
FCXR51562000	56.2	R264
FCXR51562000	56.2	R265
FCXR51562000	56.2	R266
FCXR53162000	1k62	R267
FCXR53162000	1k62	R268
FCXR53162000	1k62	R269
FCXR53162000	1k62	R270
FCXR53100000	1k0	R271
FCXR52464000	464	R272
FCXR52464000	464	R273
FCXR53100000	1k0	R274
FCXR53100000	1k0	R275
FCXR52464000	464	R276
FCXR52464000	464	R277
FCXR53100000	1k0	R278
FCRY00010000	W0.22/5	R279
FCRY00010000	W0.22/5	R280
FCRY00010000	W0.22/5	R281
FCRY00010000	W0.22/5	R282
FRCR51680000	6.8/2 PRO2	R283
FRCR51680000	6.8/2 PRO2	R284
FCXR54316000	31k6	R285
FCXR54316000	31k6	R286
FCXR54316000	31k6	R287
FCXR54316000	31k6	R288
FRCR51220000	2.2/2 PRO2	R289
FRCR51220000	2.2/2 PRO2	R290
FCXR53681000	6k81	R291
FCXR54316000	31k6	R292
FCXR54316000	31k6	R293
FCXR53681000	6k81	R294
FCXR53681000	6k81	R295
FCXR54316000	31k6	R296

PARTS LIST: PRINTED CIRCUIT 11.0975.03.01

Code	Description	Reference
FCXR54316000	31k6	R297
FCXR53681000	6k81	R298
FCXR54100000	10k0	R299
FCXR54100000	10k0	R300
FCXR54464000	46k4	R301
FCXR54316000	31k6	R302
FCXR54464000	46k4	R303
FCXR54316000	31k6	R304
FCXR54464000	46k4	R305
FCXR54464000	46k4	R306
FCXR53147000	1k47	R307
FCXR53147000	1k47	R308
FCXR56100000	1M	R309
FCXR56100000	1M	R310
FCXR54215000	21k5	R311
FCXR54215000	21k5	R312
FCXR54215000	21k5	R313
FCXR54215000	21k5	R314
FCXR54215000	21k5	R315
FCXR54215000	21k5	R316
FCXR55464000	464k	R317
FCXR55464000	464k	R318
FCXR53100000	1k0	R319
FCXR53100000	1k0	R320
FCXR54215000	21k5	R321
FCXR54215000	21k5	R322
FCXR53100000	1k0	R323
FCXR53100000	1k0	R324
FCXR54215000	21k5	R325
FCXR54215000	21k5	R326
FCXR57100000	10M	R327
FCXR53316000	3k16	R328
FCXR57100000	10M	R329
FCXR53316000	3k16	R330
FCXR53100000	1k0	R331
FCXR53100000	1k0	R332
FCXR53100000	1k0	R333
FCXR53100000	1k0	R334
FCXR52511000	511	R335
FCXR52178000	178	R336
FCXR52511000	511	R337
FCXR52178000	178	R338
FCXR52511000	511	R339
FCXR52178000	178	R340
FCXR52511000	511	R341
FCXR52178000	178	R342
FCXR51562000	56.2	R343
FCXR51562000	56.2	R344
FCXR51562000	56.2	R345
FCXR51562000	56.2	R346
FCXR52681000	681	R347
FCXR52681000	681	R348
FCXR52681000	681	R349
FCXR52681000	681	R350
FCXR52681000	681	R351
FCRJG4250000	2k5	R352

PARTS LIST: PRINTED CIRCUIT 11.0975.03.01

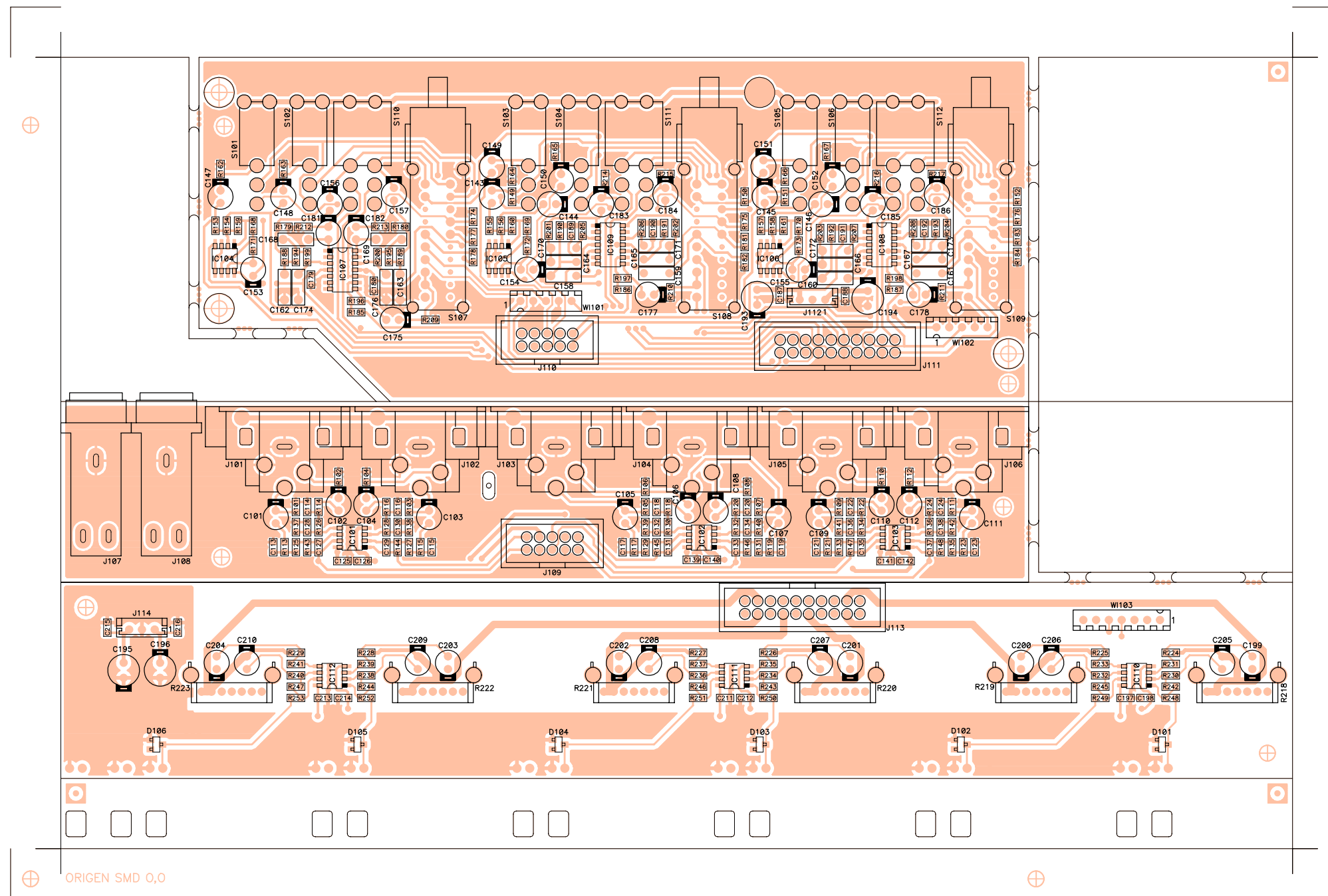
Code	Description	Reference
FCXR53215000	2k15	R353
FCXR52681000	681	R354
FCXR52681000	681	R355
FCRJG4250000	2k5	R356
FCXR53215000	2k15	R357
FCXR52681000	681	R358
FCXR52681000	681	R359
FCXR52681000	681	R360
FCXR52681000	681	R361
FCXR52681000	681	R362
FCXR51562000	56.2	R363
FCXR51562000	56.2	R364
FCXR51562000	56.2	R365
FCXR51562000	56.2	R366
FCXR51562000	56.2	R367
FCXR51562000	56.2	R368
FCXR51562000	56.2	R369
FCXR51562000	56.2	R370
FCXR53162000	1k62	R371
FCXR53162000	1k62	R372
FCXR53162000	1k62	R373
FCXR53162000	1k62	R374
FCXR53100000	1k0	R375
FCXR52464000	464	R376
FCXR52464000	464	R377
FCXR53100000	1k0	R378
FCXR53100000	1k0	R379
FCXR52464000	464	R380
FCXR52464000	464	R381
FCXR53100000	1k0	R382
FCRY00010000	W0.22/5	R383
FCRY00010000	W0.22/5	R384
FCRY00010000	W0.22/5	R385
FCRY00010000	W0.22/5	R386
FCRP51680000	6.8/2 PR02	R387
FCRP51680000	6.8/2 PR02	R388
FCXR54316000	31k6	R389
FCXR54316000	31k6	R390
FCXR54316000	31k6	R391
FCXR54316000	31k6	R392
FCRP51220000	2.2/2 PR02	R393
FCRP51220000	2.2/2 PR02	R394
FCXR53681000	6k81	R395
FCXR54316000	31k6	R396
FCXR54316000	31k6	R397
FCXR53681000	6k81	R398
FCXR53681000	6k81	R399
FCXR54316000	31k6	R400
FCXR54316000	31k6	R401
FCXR53681000	6k81	R402
FCXR54100000	10k0	R403
FCXR54100000	10k0	R404
FCXR54464000	46k4	R405
FCXR54316000	31k6	R406
FCXR54464000	46k4	R407
FCXR54316000	31k6	R408

PARTS LIST: PRINTED CIRCUIT 11.0975.03.01


Code	Description	Reference
FCXR54464000	46k4	R409
FCXR54464000	46k4	R410
FCXR53147000	1k47	R411
FCXR53147000	1k47	R412
FCXR54464000	46k4	R413
FCXR54215000	21k5	R414
FCXR54464000	46k4	R415
FCXR54215000	21k5	R416
FCXR55100000	100k0	R417
FCXR51750000	75.0	R418
FCXR51750000	75.0	R419
FCXR55287000	287k	R420
FCXR53147000	1k47	R421
FCXR53147000	1k47	R422
FCXR53147000	1k47	R423
FCXR53147000	1k47	R424
FCXR53147000	1k47	R425
FCXR53147000	1k47	R426
FCXR53464000	4k64	R427
FCXR52178000	178	R428
FCXR52178000	178	R429
FCXR52178000	178	R430
FCXR52178000	178	R431
FCXR52178000	178	R432
FCXR52178000	178	R433
FCXR53215000	2k15	R434
FCXR54100000	10k0	R435
FCXR54100000	10k0	R436
FCXR55100000	100k0	R437
FCXR55100000	100k0	R438
FCXR53100000	1k0	R439
FCXR54383000	38k3	R440
FCXR53100000	1k0	R441
FCXR53287000	2k87	R442
FCXR54215000	21k5	R443
FCXR54100000	10k0	R444
FCXR54100000	10k0	R445
FCXR56215000	2M15	R446
FCXR53121000	1k21	R447
FCXR55100000	100k0	R448
FCXR54147000	14k7	R449
FCXR56215000	2M15	R450
FCXR52100000	100.0	R451
FCXR54100000	10k0	R452
FCXR53121000	1k21	R453
FCXR54562000	56k2	R454
FCXR54562000	56k2	R455
FCXR54562000	56k2	R456
FCXR54562000	56k2	R457
FCXR54562000	56k2	R458
FCXR54562000	56k2	R459
FCT804006000	Screw M4x6 SPAN	SC100
FCT804006000	Screw M4x6 SPAN	SC101
FCT804006000	Screw M4x6 SPAN	SC102
FCT804006000	Screw M4x6 SPAN	SC103
FCT804006000	Screw M4x6 SPAN	SC104

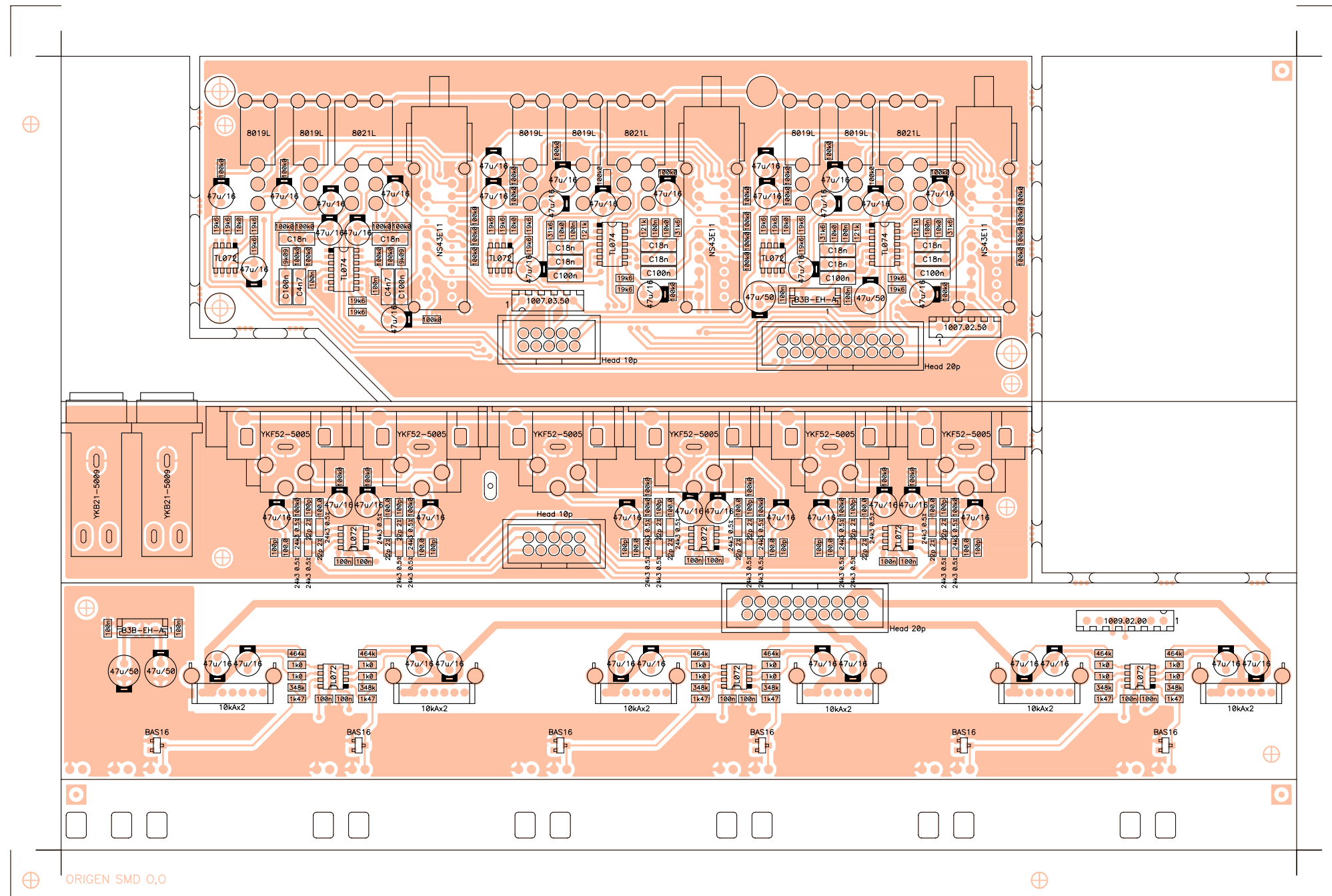
PARTS LIST: PRINTED CIRCUIT 11.0975.03.01

Code	Description	Reference
FCT804006000	Screw M4x6 SPAN	SC105
FCT803010000	Screw M3x10 SPA	SC106
FCT803010000	Screw M3x10 SPA	SC107
FCT803010000	Screw M3x10 SPA	SC108
FCT803010000	Screw M3x10 SPA	SC109
FCT803010000	Screw M3x10 SPA	SC110
FCT803010000	Screw M3x10 SPA	SC111
FCT803010000	Screw M3x10 SPA	SC112
FCT803010000	Screw M3x10 SPA	SC113
FCT803010000	Screw M3x10 SPA	SC114
FCT803010000	Screw M3x10 SPA	SC115
FCT803010000	Screw M3x10 SPA	SC116
FCT803010000	Screw M3x10 SPA	SC117
FCT803010000	Screw M3x10 SPA	SC118
FCT804006000	Screw M4x6 SPAN	SC119
FCT804006000	Screw M4x6 SPAN	SC120
FCT750300800	Screw M3x8	SC121
FCSEPDLMSPM0	Plastic Spacer	SP100
FCSEPDLMSPM0	Plastic Spacer	SP101
FCSEPDLMSPM0	Plastic Spacer	SP102
FCSEPDLMSPM0	Plastic Spacer	SP103
FCSEPDLMSPM0	Plastic Spacer	SP104
FCSEPDLMSPM0	Plastic Spacer	SP105
FCSEPDLMSPM0	Plastic Spacer	SP106
FCSEPDLMSPM0	Plastic Spacer	SP107
FCARAT000000	Washer Ins. Tr. 3x5.3x1.7	WA100
FCARM3201000	Metal Washer 3.2x6x1	WA101
FCARM3201000	Metal Washer 3.2x6x1	WA102
FCARM3201000	Metal Washer 3.2x6x1	WA103
FCARM3201000	Metal Washer 3.2x6x1	WA104
FCARM3201000	Metal Washer 3.2x6x1	WA105
FCARM3201000	Metal Washer 3.2x6x1	WA106
FCARM3201000	Metal Washer 3.2x6x1	WA107
FCARM3201000	Metal Washer 3.2x6x1	WA108
FCARM3201000	Metal Washer 3.2x6x1	WA109
FCARM3201000	Metal Washer 3.2x6x1	WA110
FCARM3201000	Metal Washer 3.2x6x1	WA111
FCARM3201000	Metal Washer 3.2x6x1	WA112
FCARM3201000	Metal Washer 3.2x6x1	WA113
FCARDE030000	Toothed Washer f/M3	WA114
FCOH11753000	1117.05.30	WI102
FCOH11753000	1117.05.30	WI105




ORIGEN SMD 0,0

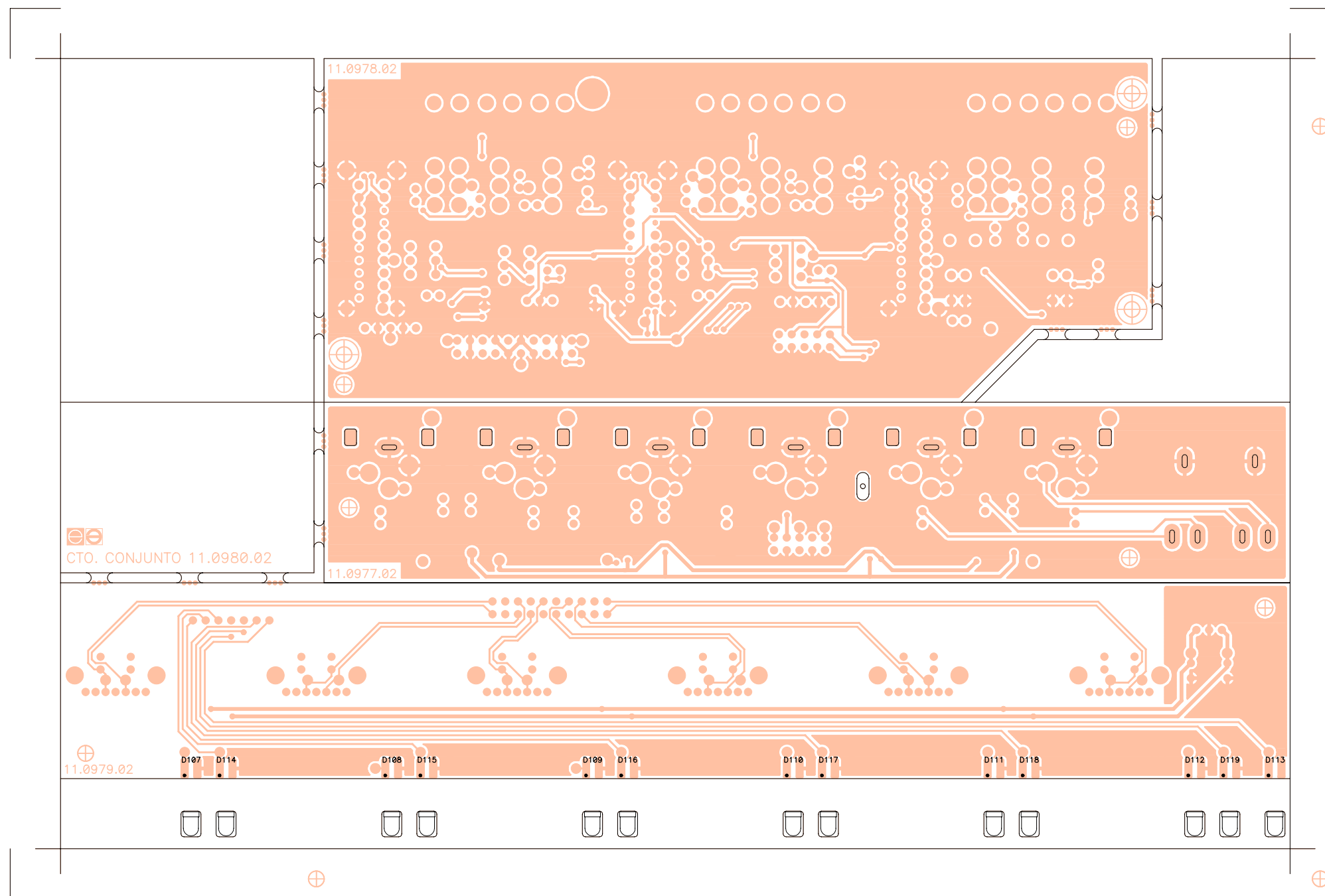
 LABORATORIO DE ELECTRO-ACUSTICA S.A.	related to:	circuit no: 11.0980-02.01 schema no: 10.0656-01.02 insertion file no: 81.0083-01.00	side: Component
	project n: EP02-03	title:	view: Reference
number: 33.0851	version: 01.02	product n: MPA6-150	<h2>Inputs + Leds&Potemtrs</h2>
drawn by: M. Amoros	date: 030709	approved: Angel Sanuy	




Note: Leds mounted on the bottom or solder side and touching the window border (see drawing)

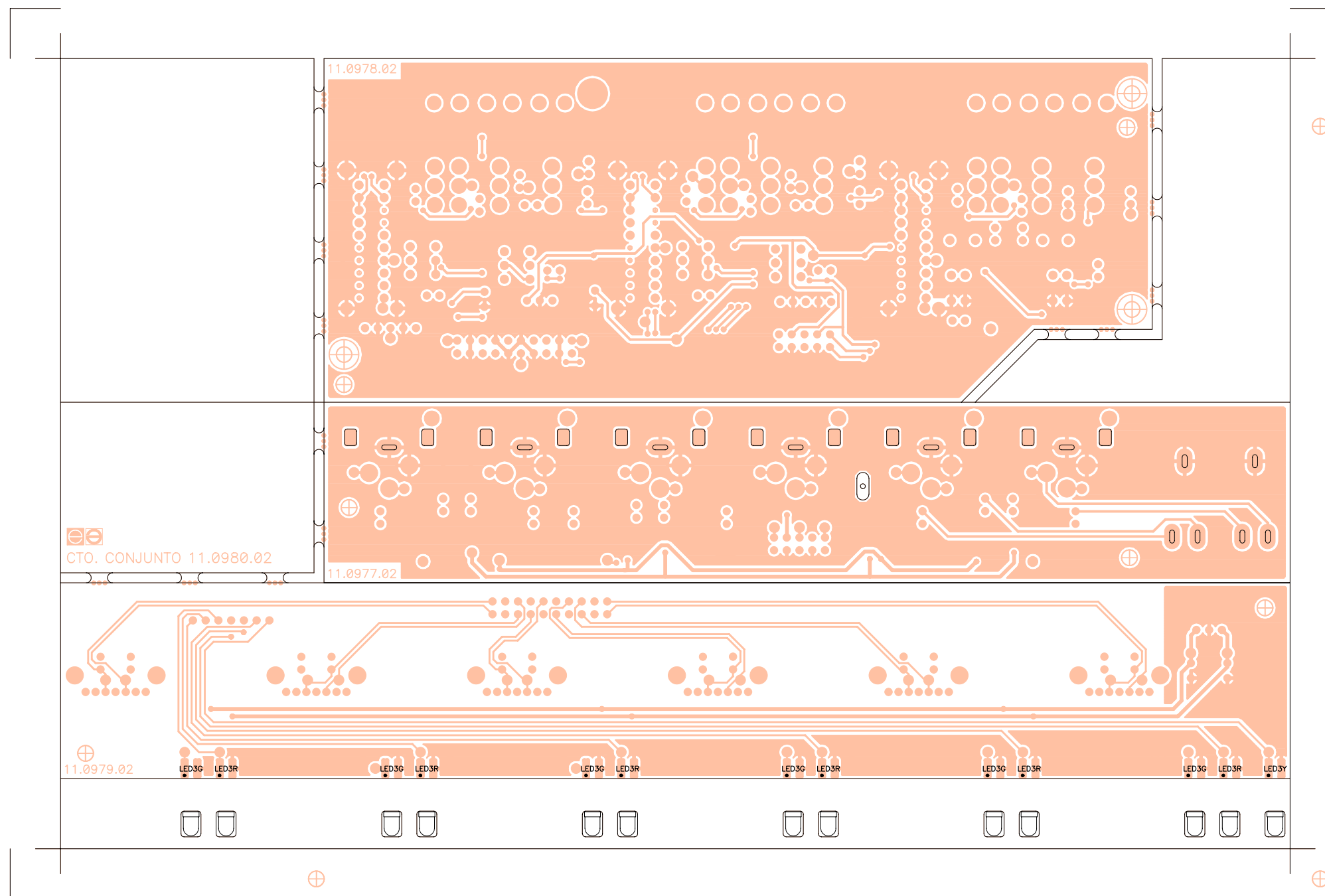
IMPORTANT NOTE: Apply Clear Silicone Sealant in all header conectors

 LABORATORIO DE ELECTRO-ACUSTICA S.A.	related to:	circuit no: 11.0980-02.01 schema no: 10.0656-01.02 insertion file no: 81.0083-01.00	side: Component
	project n:	EP02-03	view: Value
number: 33.0852	version: 01.03	product n: MPA6-150	Inputs + Leds&Potemtrs
drawn by: M. Amoros	date: 031114	approved: Angel Sanuy	




Note: Leds mounted on the bottom or solder side and touching the window border (see drawing)

 LABORATORIO DE ELECTRO-ACUSTICA S.A.	related to:	circuit no: 11.0980-02.01 schema no: 10.0656-01.02 insertion file no:	side: Solder
	project n: EP02-03	title:	view: Reference
number: 33.0853	version: 01.02	product n: MPA6-150	Inputs + Leds&Potemtrs
drawn by: M. Amoros	date: 030709	approved: Angel Sanuy	



Note: Leds mounted on the bottom or solder side and touching the window border (see drawing)

 LABORATORIO DE ELECTRO-ACUSTICA S.A.	related to:	circuit no: 11.0980-02.01 schema no: 10.0656-01.02 insertion file no:	side: Solder
			view: Value
number: 33.0854	version: 01.02	project n: EP02-03	title: Inputs + Leds&Potemtrs
drawn by: M. Amoros	date: 030709	product n: MPA6-150 approved: Angel Sanuy	

PARTS LIST: PRINTED CIRCUIT 11.0980.02.02

Code	Description	Reference
FCCE1000000	47u/16	C101
FCCE1000000	47u/16	C102
FCCE1000000	47u/16	C103
FCCE1000000	47u/16	C104
FCCE1000000	47u/16	C105
FCCE1000000	47u/16	C106
FCCE1000000	47u/16	C107
FCCE1000000	47u/16	C108
FCCE1000000	47u/16	C109
FCCE1000000	47u/16	C110
FCCE1000000	47u/16	C111
FCCE1000000	47u/16	C112
FCXCD2100000	100p	C113
FCXCD2100000	100p	C114
FCXCD2100000	100p	C115
FCXCD2100000	100p	C116
FCXCD2100000	100p	C117
FCXCD2100000	100p	C118
FCXCD2100000	100p	C119
FCXCD2100000	100p	C120
FCXCD2100000	100p	C121
FCXCD2100000	100p	C122
FCXCD2100000	100p	C123
FCXCD2100000	100p	C124
FCXCD4100000	100n	C125
FCXCD4100000	100n	C126
FCXCN1220100	22p 2%	C127
FCXCN1220100	22p 2%	C128
FCXCN1220100	22p 2%	C129
FCXCN1220100	22p 2%	C130
FCXCN1220100	22p 2%	C131
FCXCN1220100	22p 2%	C132
FCXCN1220100	22p 2%	C133
FCXCN1220100	22p 2%	C134
FCXCN1220100	22p 2%	C135
FCXCN1220100	22p 2%	C136
FCXCN1220100	22p 2%	C137
FCXCN1220100	22p 2%	C138
FCXCD4100000	100n	C139
FCXCD4100000	100n	C140
FCXCD4100000	100n	C141
FCXCD4100000	100n	C142
FCCE1000000	47u/16	C143
FCCE1000000	47u/16	C144
FCCE1000000	47u/16	C145
FCCE1000000	47u/16	C146
FCCE1000000	47u/16	C147
FCCE1000000	47u/16	C148
FCCE1000000	47u/16	C149
FCCE1000000	47u/16	C150
FCCE1000000	47u/16	C151
FCCE1000000	47u/16	C152
FCCE1000000	47u/16	C153
FCCE1000000	47u/16	C154
FCCE1000000	47u/16	C155
FCCE1000000	47u/16	C156

PARTS LIST: PRINTED CIRCUIT 11.0980.02.02

Code	Description	Reference
FCCE1000000	47u/16	C157
FCCDK1100000	C100n	C158
FCCDK1100000	C100n	C159
FCCDK1100000	C100n	C160
FCCDK1100000	C100n	C161
FCCDK1100000	C100n	C162
FCCDK1100000	C100n	C163
FCCDK5018000	C18n	C164
FCCDK5018000	C18n	C165
FCCDK5018000	C18n	C166
FCCDK5018000	C18n	C167
FCCDK5018000	C18n	C168
FCCDK5018000	C18n	C169
FCCDK5018000	C18n	C170
FCCDK5018000	C18n	C171
FCCDK5018000	C18n	C172
FCCDK5018000	C18n	C173
FCCDK1004700	C4n7	C174
FCCE1000000	47u/16	C175
FCCDK1004700	C4n7	C176
FCCE1000000	47u/16	C177
FCCE1000000	47u/16	C178
FCXCD4100000	100n	C179
FCXCD4100000	100n	C180
FCCE1000000	47u/16	C181
FCCE1000000	47u/16	C182
FCCE1000000	47u/16	C183
FCCE1000000	47u/16	C184
FCCE1000000	47u/16	C185
FCCE1000000	47u/16	C186
FCXCD4100000	100n	C187
FCXCD4100000	100n	C188
FCXCD4100000	100n	C189
FCXCD4100000	100n	C190
FCXCD4100000	100n	C191
FCXCD4100000	100n	C192
FCCE25047000	47u/50	C193
FCCE25047000	47u/50	C194
FCCE25047000	47u/50	C195
FCCE25047000	47u/50	C196
FCXCD4100000	100n	C197
FCXCD4100000	100n	C198
FCCE1000000	47u/16	C199
FCCE1000000	47u/16	C200
FCCE1000000	47u/16	C201
FCCE1000000	47u/16	C202
FCCE1000000	47u/16	C203
FCCE1000000	47u/16	C204
FCCE1000000	47u/16	C205
FCCE1000000	47u/16	C206
FCCE1000000	47u/16	C207
FCCE1000000	47u/16	C208
FCCE1000000	47u/16	C209
FCCE1000000	47u/16	C210
FCXCD4100000	100n	C211
FCXCD4100000	100n	C212

PARTS LIST: PRINTED CIRCUIT 11.0980.02.02

Code	Description	Reference
FCXCD4100000	100n	C213
FCXCD4100000	100n	C214
FCXCD4100000	100n	C215
FCXCD4100000	100n	C216
FCI09800000	Printed Board 11.0980	CI101
FCXDDBAS1600	BAS16	D101
FCXDDBAS1600	BAS16	D102
FCXDDBAS1600	BAS16	D103
FCXDDBAS1600	BAS16	D104
FCXDDBAS1600	BAS16	D105
FCXDDBAS1600	BAS16	D106
FCLED300VE00	LED3G	D107
FCLED300VE00	LED3G	D108
FCLED300VE00	LED3G	D109
FCLED300VE00	LED3G	D110
FCLED300VE00	LED3G	D111
FCLED300VE00	LED3G	D112
FCLED300AM00	LED3Y	D113
FCLED300R000	LED3R	D114
FCLED300R000	LED3R	D115
FCLED300R000	LED3R	D116
FCLED300R000	LED3R	D117
FCLED300R000	LED3R	D118
FCLED300R000	LED3R	D119
FCIC07201000	TL072	IC101
FCIC07201000	TL072	IC102
FCIC07201000	TL072	IC103
FCIC07201000	TL072	IC104
FCIC07201000	TL072	IC105
FCIC07201000	TL072	IC106
FCIC07401000	TL074	IC107
FCIC07401000	TL074	IC108
FCIC07401000	TL074	IC109
FCIC07201000	TL072	IC110
FCIC07201000	TL072	IC111
FCIC07201000	TL072	IC112
FCBASX090000	YKF52-5005	J101
FCBASX090000	YKF52-5005	J102
FCBASX090000	YKF52-5005	J103
FCBASX090000	YKF52-5005	J104
FCBASX090000	YKF52-5005	J105
FCBASX090000	YKF52-5005	J106
FCBASJ020000	YKB21-5009	J107
FCBASJ020000	YKB21-5009	J108
FCHEA1001000	Head 10p	J109
FCHEA1001000	Head 10p	J110
FCHEA1002000	Head 20p	J111
FCCTM0003000	B3B-EH-A	J112
FCHEA1002000	Head 20p	J113
FCCTM0003000	B3B-EH-A	J114
FCXR55100000	100k0	R101
FCXR55100000	100k0	R102
FCXR55100000	100k0	R103
FCXR55100000	100k0	R104
FCXR55100000	100k0	R105
FCXR55100000	100k0	R106

PARTS LIST: PRINTED CIRCUIT 11.0980.02.02

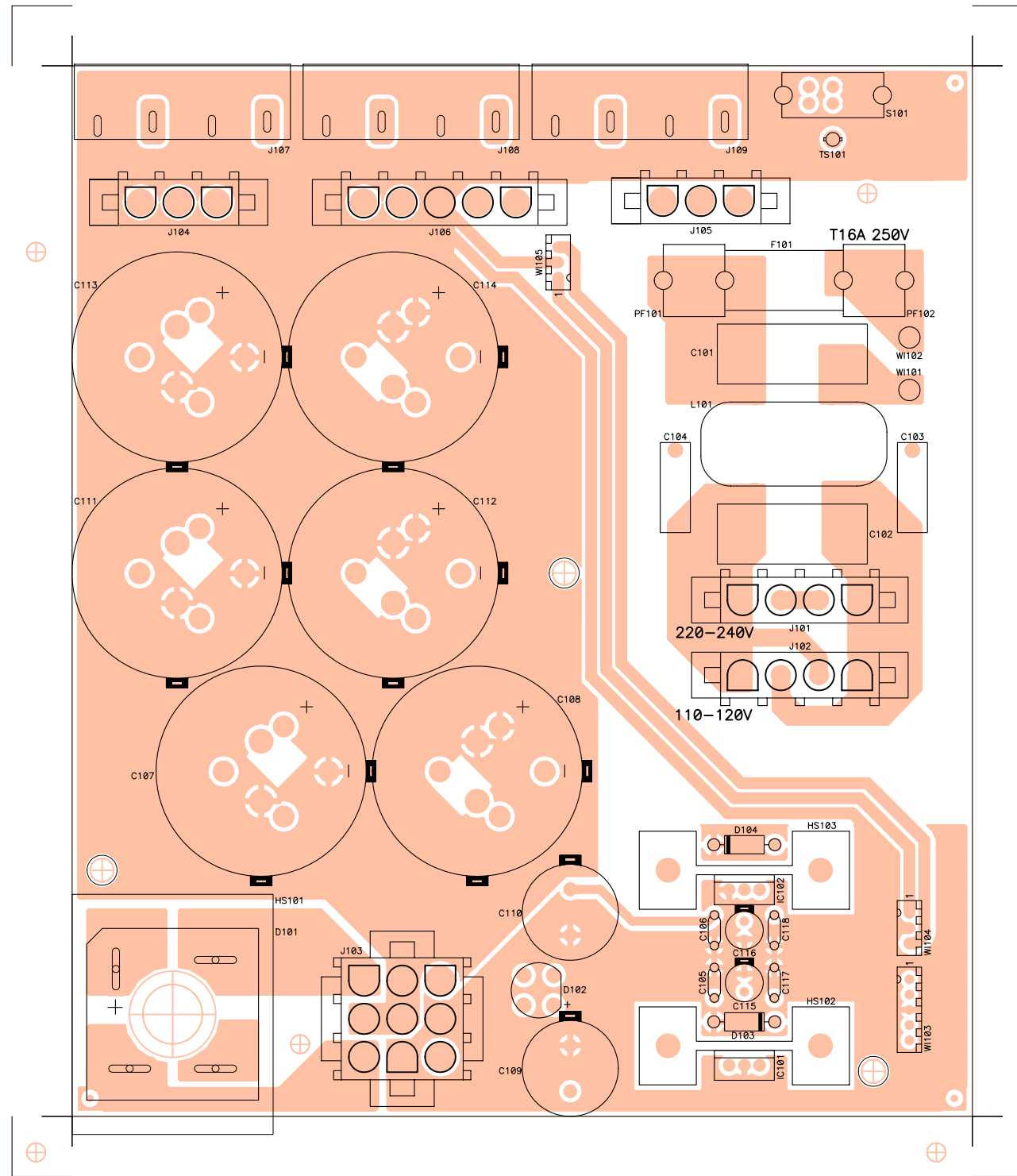
Code	Description	Reference
FCXR55100000	100k0	R107
FCXR55100000	100k0	R108
FCXR55100000	100k0	R109
FCXR55100000	100k0	R110
FCXR55100000	100k0	R111
FCXR55100000	100k0	R112
FCXR52100000	100.0	R113
FCXR52100000	100.0	R114
FCXR52100000	100.0	R115
FCXR52100000	100.0	R116
FCXR52100000	100.0	R117
FCXR52100000	100.0	R118
FCXR52100000	100.0	R119
FCXR52100000	100.0	R120
FCXR52100000	100.0	R121
FCXR52100000	100.0	R122
FCXR52100000	100.0	R123
FCXR52100000	100.0	R124
FCXR64243000	24k3 0.5%	R125
FCXR64243000	24k3 0.5%	R126
FCXR64243000	24k3 0.5%	R127
FCXR64243000	24k3 0.5%	R128
FCXR64243000	24k3 0.5%	R129
FCXR64243000	24k3 0.5%	R130
FCXR64243000	24k3 0.5%	R131
FCXR64243000	24k3 0.5%	R132
FCXR64243000	24k3 0.5%	R133
FCXR64243000	24k3 0.5%	R134
FCXR64243000	24k3 0.5%	R135
FCXR64243000	24k3 0.5%	R136
FCXR64243000	24k3 0.5%	R137
FCXR64243000	24k3 0.5%	R138
FCXR64243000	24k3 0.5%	R139
FCXR64243000	24k3 0.5%	R140
FCXR64243000	24k3 0.5%	R141
FCXR64243000	24k3 0.5%	R142
FCXR64243000	24k3 0.5%	R143
FCXR64243000	24k3 0.5%	R144
FCXR64243000	24k3 0.5%	R145
FCXR64243000	24k3 0.5%	R146
FCXR64243000	24k3 0.5%	R147
FCXR64243000	24k3 0.5%	R148
FCXR55100000	100k0	R149
FCXR55100000	100k0	R150
FCXR55100000	100k0	R151
FCXR55100000	100k0	R152
FCXR54196000	19k6	R153
FCXR54196000	19k6	R154
FCXR54196000	19k6	R155
FCXR54196000	19k6	R156
FCXR54196000	19k6	R157
FCXR54196000	19k6	R158
FCXR54100000	10k0	R159
FCXR54100000	10k0	R160
FCXR54100000	10k0	R161
FCXR55100000	100k0	R162


PARTS LIST: PRINTED CIRCUIT 11.0980.02.02

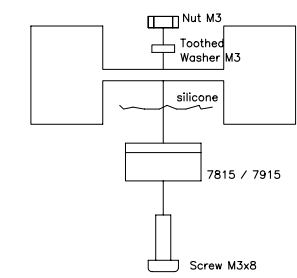
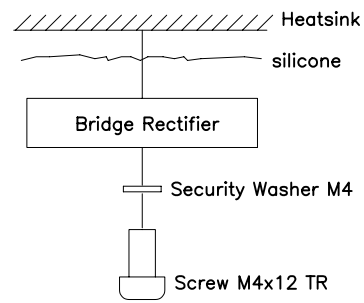
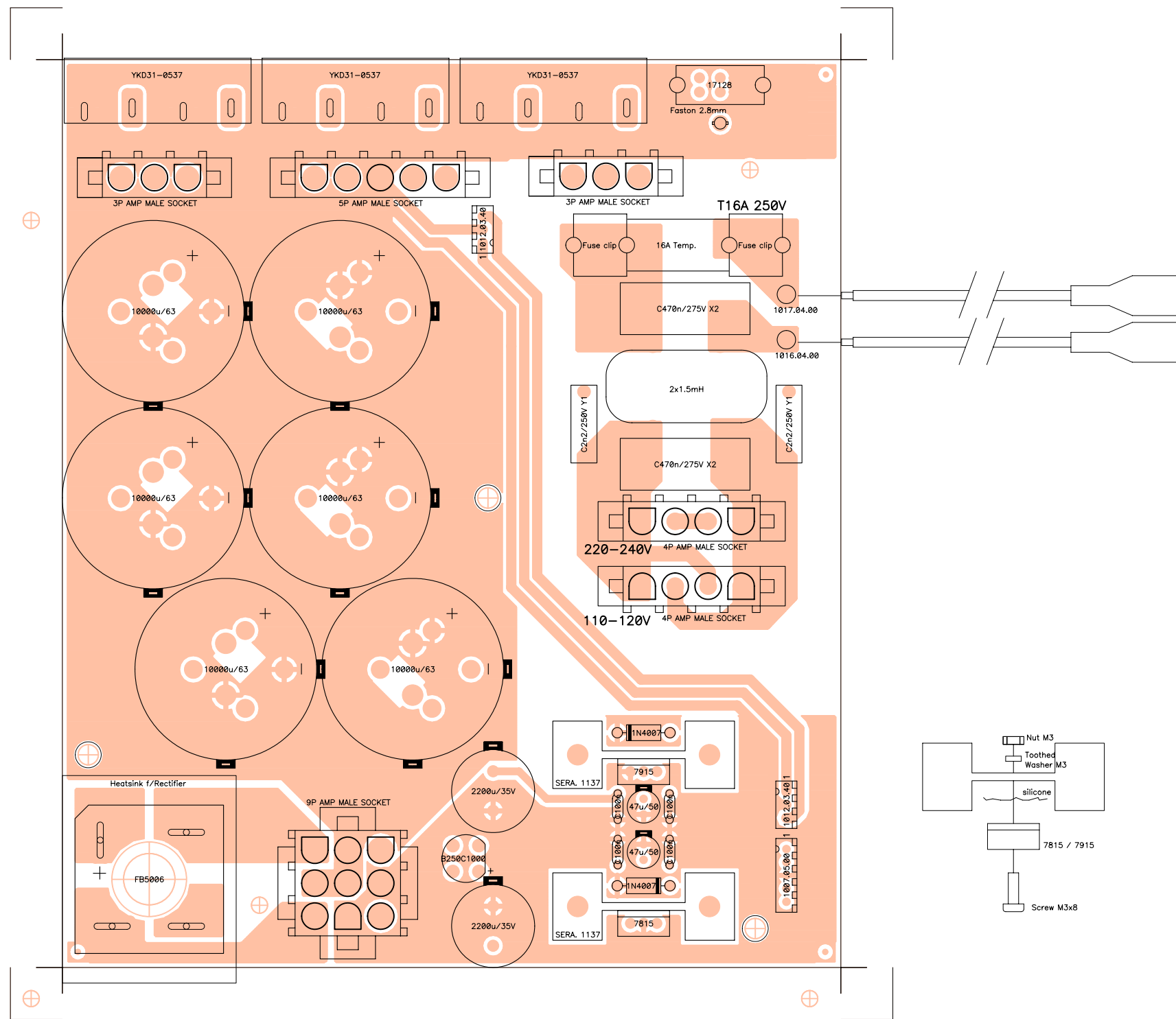
Code	Description	Reference
FCXR55100000	100k0	R163
FCXR55100000	100k0	R164
FCXR55100000	100k0	R165
FCXR55100000	100k0	R166
FCXR55100000	100k0	R167
FCXR54196000	19k6	R168
FCXR54196000	19k6	R169
FCXR54196000	19k6	R170
FCXR54196000	19k6	R171
FCXR54196000	19k6	R172
FCXR54196000	19k6	R173
FCXR55100000	100k0	R174
FCXR55100000	100k0	R175
FCXR55100000	100k0	R176
FCXR55100000	100k0	R177
FCXR55100000	100k0	R178
FCXR55100000	100k0	R179
FCXR55100000	100k0	R180
FCXR55100000	100k0	R181
FCXR55100000	100k0	R182
FCXR55100000	100k0	R183
FCXR55100000	100k0	R184
FCXR54196000	19k6	R185
FCXR54196000	19k6	R186
FCXR54196000	19k6	R187
FCXR53909000	9k09	R188
FCXR53909000	9k09	R189
FCXR54100000	10k0	R190
FCXR54100000	10k0	R191
FCXR54100000	10k0	R192
FCXR54100000	10k0	R193
FCXR55100000	100k0	R194
FCXR55100000	100k0	R195
FCXR54196000	19k6	R196
FCXR54196000	19k6	R197
FCXR54196000	19k6	R198
FCXR55100000	100k0	R199
FCXR55100000	100k0	R200
FCXR54316000	31k6	R201
FCXR54316000	31k6	R202
FCXR54316000	31k6	R203
FCXR54316000	31k6	R204
FCXR55121000	121k	R205
FCXR55121000	121k	R206
FCXR55121000	121k	R207
FCXR55121000	121k	R208
FCXR55100000	100k0	R209
FCXR55100000	100k0	R210
FCXR55100000	100k0	R211
FCXR55100000	100k0	R212
FCXR55100000	100k0	R213
FCXR55100000	100k0	R214
FCXR55100000	100k0	R215
FCXR55100000	100k0	R216
FCXR55100000	100k0	R217
FCPR21004000	10kAx2	R218


PARTS LIST: PRINTED CIRCUIT 11.0980.02.02

Code	Description	Reference
FCPR21004000	10kAx2	R219
FCPR21004000	10kAx2	R220
FCPR21004000	10kAx2	R221
FCPR21004000	10kAx2	R222
FCPR21004000	10kAx2	R223
FCXR55464000	464k	R224
FCXR55464000	464k	R225
FCXR55464000	464k	R226
FCXR55464000	464k	R227
FCXR55464000	464k	R228
FCXR55464000	464k	R229
FCXR53100000	1k0	R230
FCXR53100000	1k0	R231
FCXR53100000	1k0	R232
FCXR53100000	1k0	R233
FCXR53100000	1k0	R234
FCXR53100000	1k0	R235
FCXR53100000	1k0	R236
FCXR53100000	1k0	R237
FCXR53100000	1k0	R238
FCXR53100000	1k0	R239
FCXR53100000	1k0	R240
FCXR53100000	1k0	R241
FCXR55348000	348k	R242
FCXR55348000	348k	R243
FCXR55348000	348k	R244
FCXR55348000	348k	R245
FCXR55348000	348k	R246
FCXR55348000	348k	R247
FCXR53147000	1k47	R248
FCXR53147000	1k47	R249
FCXR53147000	1k47	R250
FCXR53147000	1k47	R251
FCXR53147000	1k47	R252
FCXR53147000	1k47	R253
FCINTAP13000	8019L	S101
FCINTAP13000	8019L	S102
FCINTAP13000	8019L	S103
FCINTAP13000	8019L	S104
FCINTAP13000	8019L	S105
FCINTAP13000	8019L	S106
FCINTAP09000	NS43E11	S107
FCINTAP09000	NS43E11	S108
FCINTAP09000	NS43E11	S109
FCINTAP14000	8021L	S110
FCINTAP14000	8021L	S111
FCINTAP14000	8021L	S112
FC4K00735000	1007.03.50	WI101
FC4K00725000	1007.02.50	WI102
FC4M00920000	1009.02.00	WI103



 LABORATORIO DE ELECTRO-ACUSTICA S.A.	related to:	circuit no: 11.0976-02.01 schema no: 10.0654-01.01 insertion file no:	side: Component
	project n:	EP02-03	view: Reference
number: 33.0864	version: 01.02	product n: MPA 6-150	Supply + Outs Ct.
drawn by: M. Amoros	date: 030710	approved: Angel Sanuy	



 LABORATORIO DE ELECTRO-ACUSTICA S.A.	related to:	circuit no: 11.0976-02.01 schema no: 10.0654-01.01 insertion file no:	side: Component
	project n: EP02-03	title:	view: Value
number: 33.0865	version: 01.03	product n: MPA 6-150	Supply + Outs Ct.
drawn by: M. Amoros	date: 031112	approved: Angel Sanuy	

IMPORTANT NOTE: Apply Clear Silicone Sealant among the 10000u/63V electrolytic capacitors

PARTS LIST: PRINTED CIRCUIT 11.0976.02.02

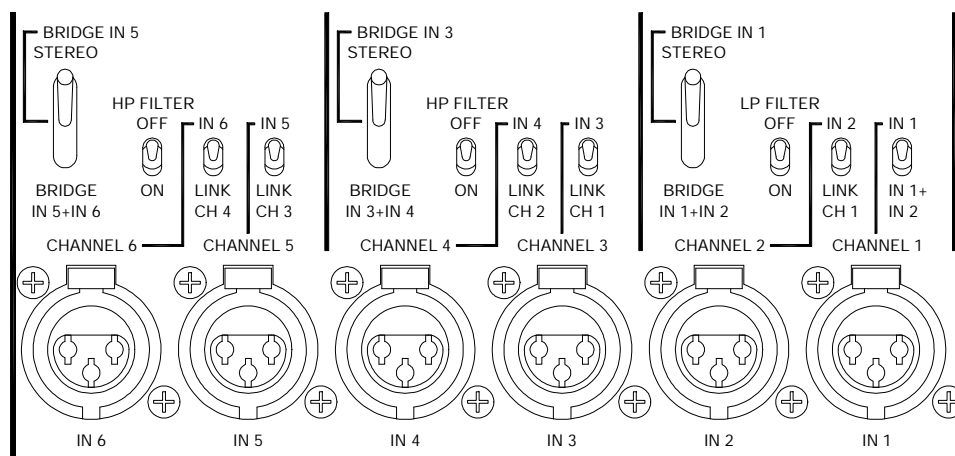
Code	Description	Reference
FCCDH7147000	C470n/275V X2	C101
FCCDH7147000	C470n/275V X2	C102
FCCCD2225000	C2n2/250V Y1	C103
FCCCD2225000	C2n2/250V Y1	C104
FCCC15101000	C100n	C105
FCCC15101000	C100n	C106
FCCE32100000	10000u/63	C107
FCCE32100000	10000u/63	C108
FCCE21220000	2200u/35V	C109
FCCE21220000	2200u/35V	C110
FCCE32100000	10000u/63	C111
FCCE32100000	10000u/63	C112
FCCE32100000	10000u/63	C113
FCCE32100000	10000u/63	C114
FCCE25047000	47u/50	C115
FCCE25047000	47u/50	C116
FCCC15101000	C100n	C117
FCCC15101000	C100n	C118
FCOI9760000	Printed Circuit 11.0976	CI101
FCREC5006000	FB5006	D101
FCREC2510000	B250C1000	D102
FCDD14007000	1N4007	D103
FCDD14007000	1N4007	D104
FCFUS8040000	16A Temp.	F101
FCRAD1151500	Heatsink f/Rectifier	HS101
FCRAD1263600	SERA. 1137	HS102
FCRAD1263600	SERA. 1137	HS103
FCREG7815000	7815	IC101
FCREG7915000	7915	IC102
FCCTAMP04000	4P AMP MALE SOCKET	J101
FCCTAMP04000	4P AMP MALE SOCKET	J102
FCCTAMP09000	9P AMP MALE SOCKET	J103
FCCTAMP03000	3P AMP MALE SOCKET	J104
FCCTAMP03000	3P AMP MALE SOCKET	J105
FCCTAMP05000	5P AMP MALE SOCKET	J106
FCCTJAL20000	YKD31-0537	J107
FCCTJAL20000	YKD31-0537	J108
FCCTJAL20000	YKD31-0537	J109
FCBB2X350000	2x1.5mH	L101
FCTUE0030000	Nut M3	NV101
FCTUE0030000	Nut M3	NV102
FCPORF020000	Fuse clip	PF101
FCPORF020000	Fuse clip	PF102
FCINTD400000	17128	S101
FCT380401200	Screw M4x12 TR	SC100
FCT750300800	Screw M3x8	SC101
FCT750300800	Screw M3x8	SC102
FCTERMF28000	Faston 2.8mm	TS101
FCARDE030000	Toothed Washer f/M3	WA101
FCARDE030000	Toothed Washer f/M3	WA102
FCARS4000000	Security washer M4	WA103
FC2F01640000	1016.04.00	WI101
FC2F01740000	1017.04.00	WI102
FC4K00750000	1007.05.00	WI103
FC0C01234000	1012.03.40	WI104
FC0C01234000	1012.03.40	WI105

PRELIMINARY:

1. Check the Ground Link switch.
 - When the main power switch is turned off, there should be no continuity between the amplifier's frame and power ground.
2. Be sure that the correct cable types are used.
3. Verify that the unit's power supplies, outputs and frame are not shorted.
4. Main power switch OFF.
5. Prepare a sine wave generator providing a 0dB 1KHz output signal, but do not turn it on yet.
6. Plug the signal generator into Channel 1's XLR-type input.
7. Connect six 4Ω load impedances to each output 1, 2, 3, 4, 5 and 6. In case you have not six impedances available, just use two, connecting them to each couple of outputs, depending of the test step you are running.
8. Connect the millivoltmeter and the oscilloscope to the amplifier's channels 1 and 2.
9. Turn down all of the potentiometers.
10. Connect the amplifier's mains plug to a variac outlet, and leave its output down to 0 volts.

SWITCH POSITIONS:

- | | | |
|--|----|----------|
| - IN1/IN1+IN2 | to | IN1 |
| - IN2/LINK CH1 | to | LINK CH1 |
| - LP FILTER ON/OFF | to | OFF. |
| - STEREO / BRIDGE IN1 / BRIDGE IN1+IN2 | to | STEREO |
| - IN3/LINK CH1 | to | LINK CH1 |
| - IN4/LINK CH2 | to | LINK CH2 |
| - HP FILTER ON/OFF | to | OFF |
| - STEREO / BRIDGE IN3 / BRIDGE IN3+IN4 | to | STEREO |
| - IN5/LINK CH1 | to | LINK CH3 |
| - IN6/LINK CH2 | to | LINK CH4 |
| - HP FILTER ON/OFF | to | OFF |
| - STEREO / BRIDGE IN5 / BRIDGE IN5+IN6 | to | STEREO |



VERIFICATION:

1. Turn the tested unit's main power switch ON.
2. Increase gradually the variac's output, until reaching 230V mains voltage. While increasing, observe carefully the unit, in order to detect any malfunction (heavy vibrations on the transformer, DC voltage on the amplifier module output, clip indicating LED's warning, etc.)
3. Check that the red neon is lit.
4. Check that all of the CLIP-indicating LED's are burning.
5. Verify that all the SIGNAL PRESENT LED's are also lit.
6. Turn on the signal generator.
7. Turn up channel one's input potentiometer. Check that it turns easily and smoothly. At its maximum position, check that $V_o=25V_{rms}$
8. The output signal monitored on OUTPUT1 should be only dependent from the channel 1's input signal.
9. Turn up channel two's input potentiometer. Check that it turns easily and smoothly. At its maximum position, check that $V_o=25V_{rms}$
10. The output signal monitored on OUTPUT2 should be only dependent from the channel 2's input signal.
11. Both output signals should be in identical phase.
12. Now change the ST/BRIDGE IN1/BRIDGE IN1+IN2 selector to BRIDGE IN1+IN2 position
13. OUTPUT1 and OUTPUT2 should now have opposite phase, and their output level drops down 6dB.
14. Channel 2's Signal Present indicating LED turns off.
15. The unit's gain level is now controlled only by channel one's input potentiometer. Turn it up and leave it at its maximum position.
16. Check the amplifier's frequency response. Using a 0.5V input signal, verify that the output level remains equal between 20Hz and 20KHz, and the waveform suffers no distortion at any frequency. Also check that with a 50KHz input signal, the output level drops only 1 or 2 dB, and no visible distortion is detected.
17. Apply a 1KHz square wave signal. Moreover, shunt a $1\mu 5$ capacitor to channel 1's 4Ω output load. While monitoring the output signal on the oscilloscope, vary the input signal level in order to see a two- or three-cycled ringing on the flat sections of the square output waveform. Repeat this same process with channel two.
18. Select again a sine wave output on the signal generator.
19. Now connect the millivoltmeter and oscilloscope probes to the amplifier's outputs 3 and 4.
20. Turn up channel three's input potentiometer. Check that it turns easily and smoothly. At its maximum position, check that $V_o=25V_{rms}$
21. The output signal monitored on the output should be only dependent from the channel 3's input signal.
22. Turn up channel four's input potentiometer. Check that it turns easily and smoothly. At its maximum position, check that $V_o=25V_{rms}$
23. The output signal monitored on the output should be only dependent from the channel 4's input signal.
24. Both output signals should be in identical phase.
25. Now change the ST/BRIDGE IN3/BRIDGE IN3+IN4 selector to BRIDGE IN3+IN4 position
26. OUTPUT3 and OUTPUT4 should now have opposite phase.
27. Channel 4's Signal Present indicating LED turns off.

28. The unit's gain level is now controlled only by channel three's input potentiometer. Turn it up and leave it at its maximum position.
29. Check the amplifier's frequency response. Using a 0.5V input signal, verify that the output level remains equal between 20Hz and 20KHz, and the waveform suffers no distortion at any frequency. Also check that with a 50KHz input signal, the output level drops only 1 or 2 dB, and no visible distortion is detected.
30. Apply a 1KHz square wave signal. Moreover, shunt a 1 μ 5 capacitor to channel 3's 4 Ω output load. While monitoring the output signal on the oscilloscope, vary the input signal level in order to see a two- or three-cycled ringing on the flat sections of the square output waveform. Repeat this same process with channel four.
31. Select again a sine wave output on the signal generator.
32. Now connect the millivoltmeter and oscilloscope probes to the amplifier's outputs 5 and 6.
33. Turn up channel five's input potentiometer. Check that it turns easily and smoothly. At its maximum position, check that $V_o=25V_{rms}$
34. The output signal monitored on the output should be only dependent from the channel 5's input signal.
35. Turn up channel six's input potentiometer. Check that it turns easily and smoothly. At its maximum position, check that $V_o=25V_{rms}$
36. The output signal monitored on the output should be only dependent from the channel 6's input signal.
37. Both output signals should be in identical phase.
38. Now change the ST/BRIDGE IN5/BRIDGE IN5+IN6 selector to BRIDGE IN5+IN6 position
39. OUTPUT5 and OUTPUT6 should now have opposite phase.
40. Channel 6's Signal Present indicating LED turns off.
41. The unit's gain level is now controlled only by channel five's input potentiometer. Turn it up and leave it at its maximum position.
42. Check the amplifier's frequency response. Using a 0.5V input signal, verify that the output level remains equal between 20Hz and 20KHz, and the waveform suffers no distortion at any frequency. Also check that with a 50KHz input signal, the output level drops only 1 or 2 dB, and no visible distortion is detected.
43. Apply a 1KHz square wave signal. Moreover, shunt a 1 μ 5 capacitor to channel 5's 4 Ω output load. While monitoring the output signal on the oscilloscope, vary the input signal level in order to see a two- or three-cycled ringing on the flat sections of the square output waveform. Repeat this same process with channel six.
44. Select again a sine wave output on the signal generator.
45. At this point, all clip indicators should be lighting. If necessary, add a little bit of level to the input signal.
46. Set the IN1/IN1+IN2 selector to IN1+IN2, and verify that the output signal level drops 6dB on all outputs.
47. Return the switch back to IN1.
48. To verify the thermal protection circuits, short the thermal probe pins 1 and 2, and verify that the relay releases and opens up, while the THERMAL LED indicator lights on and the cooling fan increases its speed until it reaches maximum airflow.

PROTECTIONS

1. Disconnect the 4Ω load impedances.
2. Switch the signal generator off, and select a 1 KHz - 1V output signal, but leave its amplitude control turned down.
3. Release all of the input circuitry selector switches. \uparrow
4. Load channel 1's output with a 1Ω impedance.
5. Turn on the signal generator, apply the signal to INPUT 1.
6. Increase its output amplitude level until the unit's output signal starts to clip. At this point, $V_o=15V_{pp}$. (first step)
7. Decrease gradually the mains voltage using the variac, just until the unit's output signal is no longer clipping.
8. Then continue increasing smoothly the generator's output level, until the unit's output level starts clipping again, which should occur when $V_o=27V_{pp}$ (second step). In both clipping cases, however, the clipped signal should be clear and free of ringings and other oscillations.
9. Repeat the same process with the remaining channels.

BURNING TEST

Leave the tested unit connected to its correspondent mains voltage, applying input signal and connecting load impedances, and running at its burn test level for at least 24 hours.

SAFETY VERIFICATION TESTS.

Preliminary:

- Unplug the unit to be tested from the mains outlet.
- Short all ground terminals from signal inputs, outputs and other external connectors, except the mains plug's ground.
- Turn on the unit's main power switch.

Ground continuity test:

Connect the tester's probes between the mains ground contact and the unit's backside main ground test point. When applying a 10A current, verify that the ground impedance is lower than 0.1Ω .

Electrical insulation test:

Connect the electrical insulation tester probes between the mains outlet ground contact and both shorted mains input poles. Adjust the tester's current limit down to 10mA. Apply 1500Vac during 5 seconds.

The unit's insulation should be able to resist this voltage, without generating spurious sparks or a sparkover effect, and the tester may not detect any disfunction.

CAUTION: Do not disconnect nor touch the test probes until the test has finished completely!

VERIFICATION USING MUSIC

As this is a six-channel amplifier, with a versatile input signal selection system which enhances its connectivity options, the previous procedures have checked that the input circuitry selection options are functioning correctly when running with input signals.

1. Release all of the input circuitry selector switches. ↑
2. Verify the outputs 1 and 2's STACK OUT function by testing their jack-type output connections.
3. Verify individually each of the inputs and their outputs.
4. Turn the amplifier off and on again with the main power switch.
 - Even when signal is applied onto the tested channel's input, while the unit is passing its STANDBY run-up time, the speaker should remain quiet.
5. Verify the sweep of all potentiometers, which should turn easily and smoothly, without producing noise or scratches.
6. Verify the sound quality (do not allow any kind of scratch or distortion)
7. Check the unit's low pass filters on channels 1 and 2. $f_c=160\text{Hz}$.
8. Check the unit's high pass filters on channels 3, 4, 5 and 6. $f_c=160\text{Hz}$.
9. To ensure that all electrical junctions are well-fixed, hit the tested unit softly against your working table.
10. Short the output terminals while carrying amplified signal, and verify that once the short-circuit is removed, the unit recovers normal functioning.

QUALITY CONTROL

All mechanical parts should be visually revised, in order to detect scratches on the unit's painting; all screws should be on their place, correctly tight and unmarked. Check out the unit's general presentation.

POWER 20-20kHz 1% THD

1 Channel @ 4Ω	160 WRMS
1 Channel @ 8Ω	106 WRMS
All Channels @ 4Ω	116 WRMS
All Channels @ 8Ω	84 WRMS
1 Bridged channel @ 8Ω (all channels driven)	240 WRMS
Frequency response (-1dB)	7Hz ÷ 40kHz
Filter (Hi-Lo) 3rd order Butterworth	160 Hz
THD+ Noise @ 1kHz Full Pwr.	< 0,05%
Intermodulation distortion 50Hz & 7kHz, 4:1	< 0,08%
TIM 100	< 0,03%
S+ N/N 20Hz -20kHz @ 1W/4Ω	> 80dB
Damping factor 1kHz @ 8Ω	> 160
Slew Rate	± 18V/μs
Channel crosstalk @ 1kHz	> 40dB
Input Sensitivity / Impedance	0dBV / > 20kΩ
Anticlip	2% THD

Mains Depending on your country
Power consumption (max. Out)

See characterisitcs in the back of the unit
1650VA

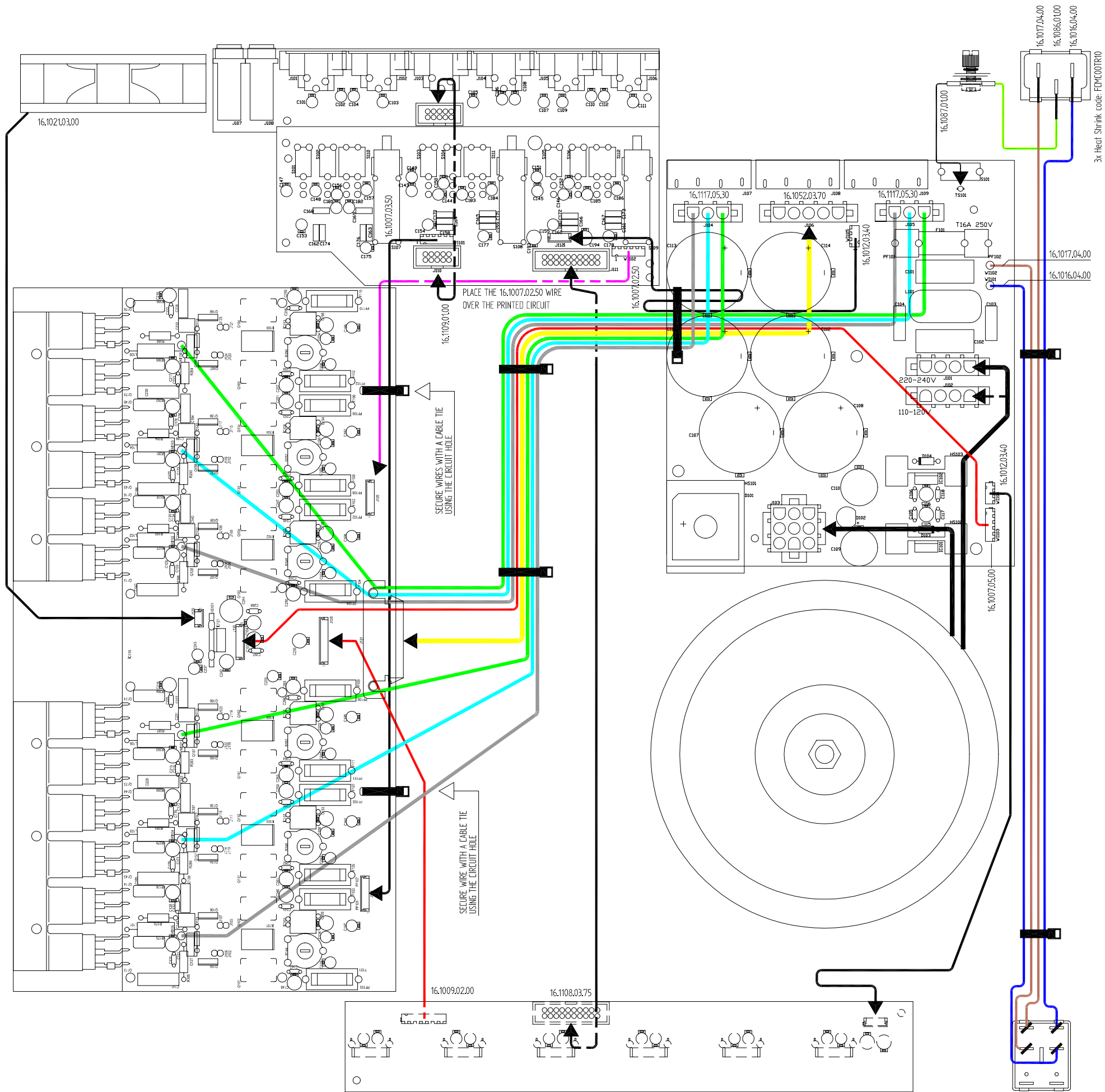
Dimensions

Panel
Depth

482,6 x 88 mm
390 mm

Weight

15 Kg.



drawn: J. Colomines
approved:

date: 03/11/14
title:

project:

EP02-03

product:

MPA6-150

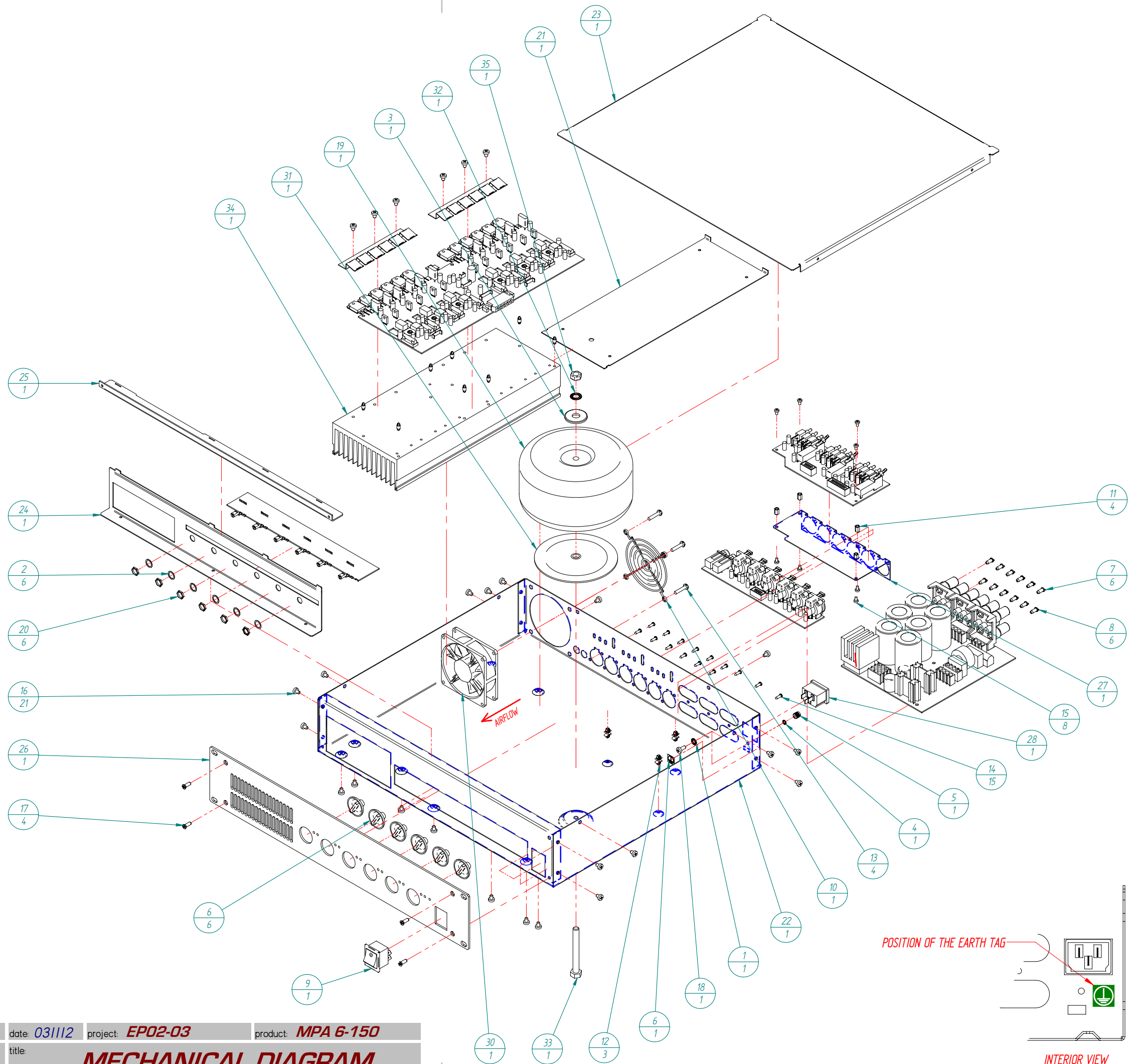
WIRING DIAGRAM

number: 31.0181 version 01.01

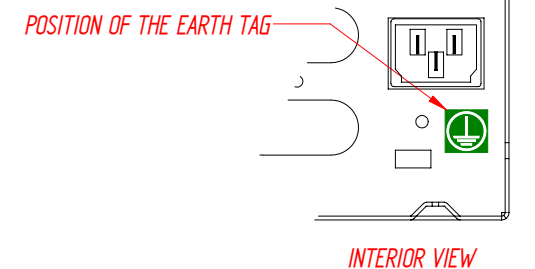
N°	Qty	ECLER Code	Description
1	1	FCARDE040000	TOOTHED WASHER M4
2	6	FCARDEP0TE00	ROTARY POT. WASHER M9
3	1	FCARM1050000	WASHER 10,5X30X2,5M
4	1	FCARS4000000	SEGMENTED WASHER M4
5	1	FCBOR0030000	GROUND TERMINAL
6	1	FCETIZT00000	EARTH TAG
7	6	FCINSPLA1000	BINDING POSTS SECURITY CAP RED
8	6	FCINSPLA1100	BINDING POSTS SECURITY CAP BLACK
9	1	FCINTRED3000	MAINS SWITCH W/LIGHT
10	1	FCREJ0800000	FAN GRILLE 80x80
11	4	FCSEP3080000	SPACER M3x8
12	3	FCSEPWLS0600	PLASTIC SPACER 6MM
13	4	FCT060512000	SCREW 5,1x20
14	15	FCT400290900	SCREW 2,9x9,5 D7981F BLACK
15	8	FCT803005000	SCREW DIN 7985 M3x5 COMBI
16	21	FCT804006000	SCREW M4x6 SPANLO BLACK
17	4	FCT804012000	SCREW M4x12 D965 SPANLO
18	1	FCT850411000	SCREW M4x10 TRILOB. WHITE
19*	1*	FCTFTMPA9500	TOROIDAL TRANSFORMER 20AP175*
20	6	FCTUP0T00000	ROTARY POT. NUT M9
21	1	FP0275600000	MODULE SUPPORT PLATE 305 mm
22	1	FP0278900000	BASE CHASSIS
23	1	FP0279000000	TOP COVER
24	1	FP0279100000	FRONT MECHANICAL SUPPORT
25	1	FP0279200000	FRONTAL REINFORCEMENT
26	1	FP0279300000	FRONT PANEL
27	1	FP0279400000	INPUT BOARD MEC. SUPPORT ANGLE
28	1	FRBASRE10100	MAINS SOCKET CABLE=400
29	6	FRBOTRD24000	ROTARY KNOB D24
30	1	FRVEN080B000	FAN 80x80 12VDC CABLE=300
31	1	GENERIC	TRANSFORMER RUBBER DISC
32	1	GENERIC	TOOTHED WASHER M8
33	1	GENERIC	SCREW M8 TRANSFORMER
34	1	GENERIC	HEATSINK POWER MODULE 305 mm
35	1	GENERIC	TRANSFORMER NUT M8

* FOR 100V UNIT, TRANSFORMER CODE: FCTFTMPA9700

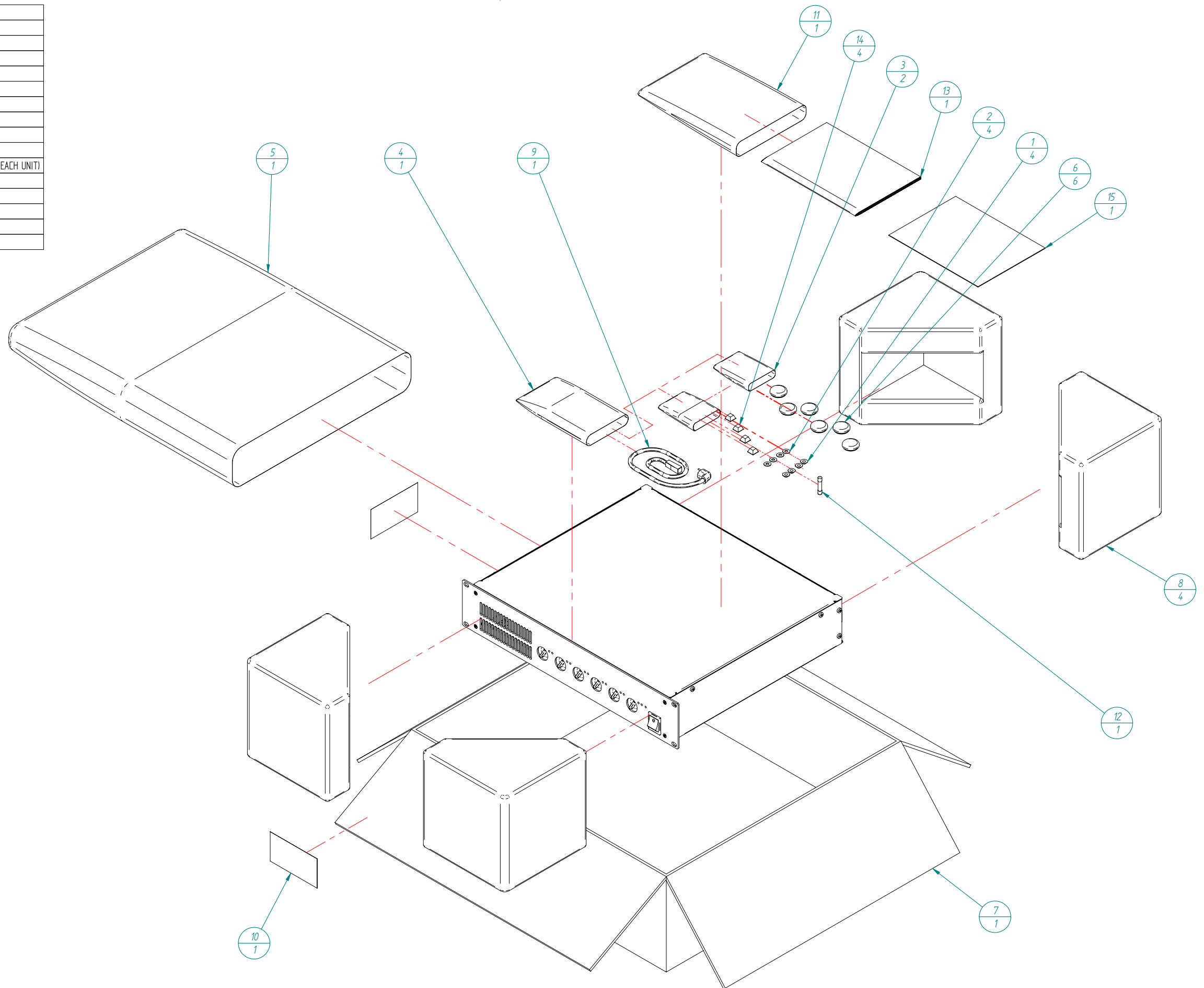
NOTE:
1.- TO VIEW CABLES POSITION AND WIRING CHARACTERISTICS, SEE WIRING
DIAGRAM NUMBER 31.0181



NOTE:
- POSITION OF POWER AMPLIFIER CIRCUIT ON THE HEATSINK



Nº	Qty	ECLER Code	Description
1	4	FCARAT300000	SCREW INSULATOR
2	4	FCARN5000000	WASHER 5X11,5X0,8
3	2	FCBOL0010000	BAG 60x80
4	1	FCBOL0020000	PLASTIC BAG 120x180
5	1	FCBOLS020000	STANDARD BAG 75x65
6	6	FCBOTD240100	ROT. KNOB PROTECTION COVER
7	1	FCCAJSTA2300	PACKING CARDBOARD BOX
8	4	FCCANT116000	INTERIOR REINFORCEMENT
9	1	FCCONX017500	MAINS CABLE 3x1
10	1	FCETI0951140	PRODUCT LABEL PACK (ONE FOR EACH UNIT)
11	1	FCFUNMAN0000	USER MANUAL BAG
12	1	FCFUS8040000	FUSE 16A 10x38
13	1	FCMANMPA7500	USER MANUAL
14	4	FCPIE1125500	RUBBER FOOT
15	1	FCTARJG000000	WARRANTY CARD



N°	Qty	ECLER Code	Description
1	4	FCARAT300000	SCREW INSULATOR
2	4	FCARN5000000	WASHER 5X11,5X0,8
3	2	FCBOL0010000	BAG 60x80
4	1	FCBOL0020000	PLASTIC BAG 120x180
5	1	FCBOLS020000	STANDARD BAG 75x65
6	6	FCBOTD240100	ROT. KNOB PROTECTION COVER
7	1	FCCAJSTA2300	PACKING CARDBOARD BOX
8	4	FCCANT116000	INTERIOR REINFORCEMENT
9	1	FCCONX017500	MAINS CABLE 3x1
10	2	FCETICAJA000	UNIT INFORMATION LABEL
11	1	FCFUNMAN0000	USER MANUAL BAG
12	1	FCFUS8040000	FUSE 16A 10x38
13	1	FCMANMPA7500	USER MANUAL
14	4	FCPIE1125500	RUBBER FOOT
15	1	FCTARJG000000	WARRANTY CARD

