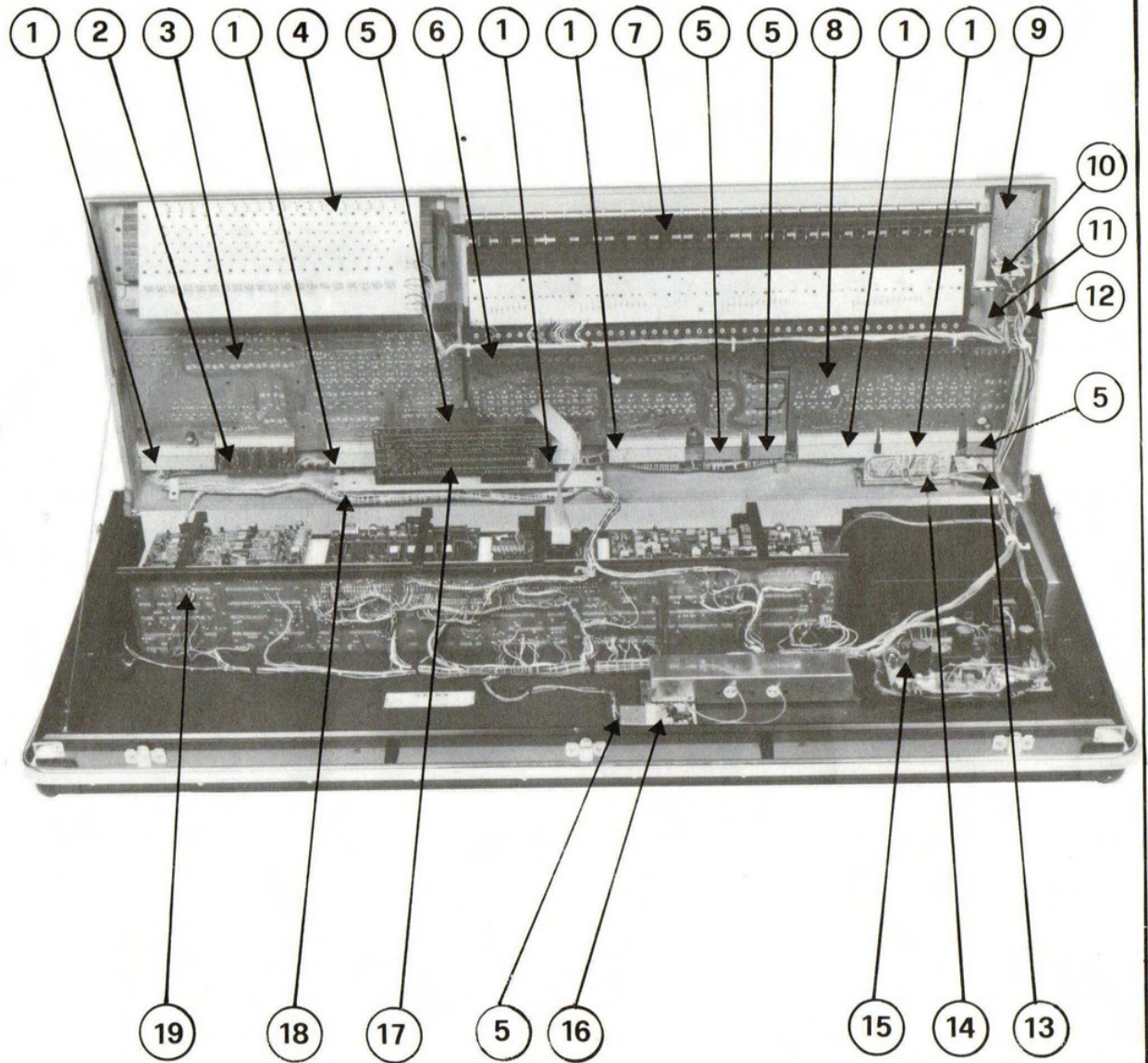

	Model	Sheet No. A
	Concorde 811	Date 8-11-84

- ① (477PR16200) x 6 Connector
- ② (477GR16450) Multiplexer and potentiometers control
- ③ (477GR16420) Contacts assembly for bass-chord and rhythm unit
- ④ (477GR15870) Contacts assembly for chord and bass international system
- ⑤ (477PR04180) x 4 Connector
- ⑥ (477GR16430) Contacts assembly for programmer percussion and rotary effect
- ⑦ (477GR12710) Contacts assembly for treble
- ⑧ (477GR16440) Contacts assembly for presets and solo
- ⑨ (477GR16460) Contacts assembly for right register
- ⑩ (477GR16390) Socket for headphone
- ⑪ (477GR16400) Master volume
- ⑫ (477GR14063) Mains filter
- ⑬ (477GR16480) Tuning
- ⑭ (477GR16370) Outputs
- ⑮ (477GR16380) Power supply
- ⑯ (477GR16120) Reverb amplifier
- ⑰ (477GR15490) Panel and keyboards controller
- ⑱ (477GR16540) Master board for (477GR15490)
- ⑲ (477GR16360) Master board



	Model Concorde 811	Object : Inside view of the organ	Sheet N. B
			Date : 8-11-84

① (477GR16030) Piano and chorus arrangement

② (477GR16020) Guitar arrangement

③ (477GR16010) Arrangement and arpeggio

④ (477GR15640) Presets Filters

⑤ (477GR16350) Pedal control reverb amplifier and preamp.

⑥ (477GR15990) Rhythms effects

⑦ (477GR15980) Rhythms mixing

⑧ (477GR1597A) Cymbals effect

⑨ (477GR15650) Bus buffer and sample hold potentiom.

⑩ (477GR15960) Rotary effect

⑪ (477GR15950) Lower flutes filters

⑫ (477GR15940) Upper flutes filters

⑬ (477GR15350) Generation

⑭ (477GR16670) Microprocessor

⑮ (477GR15930) Strings filters

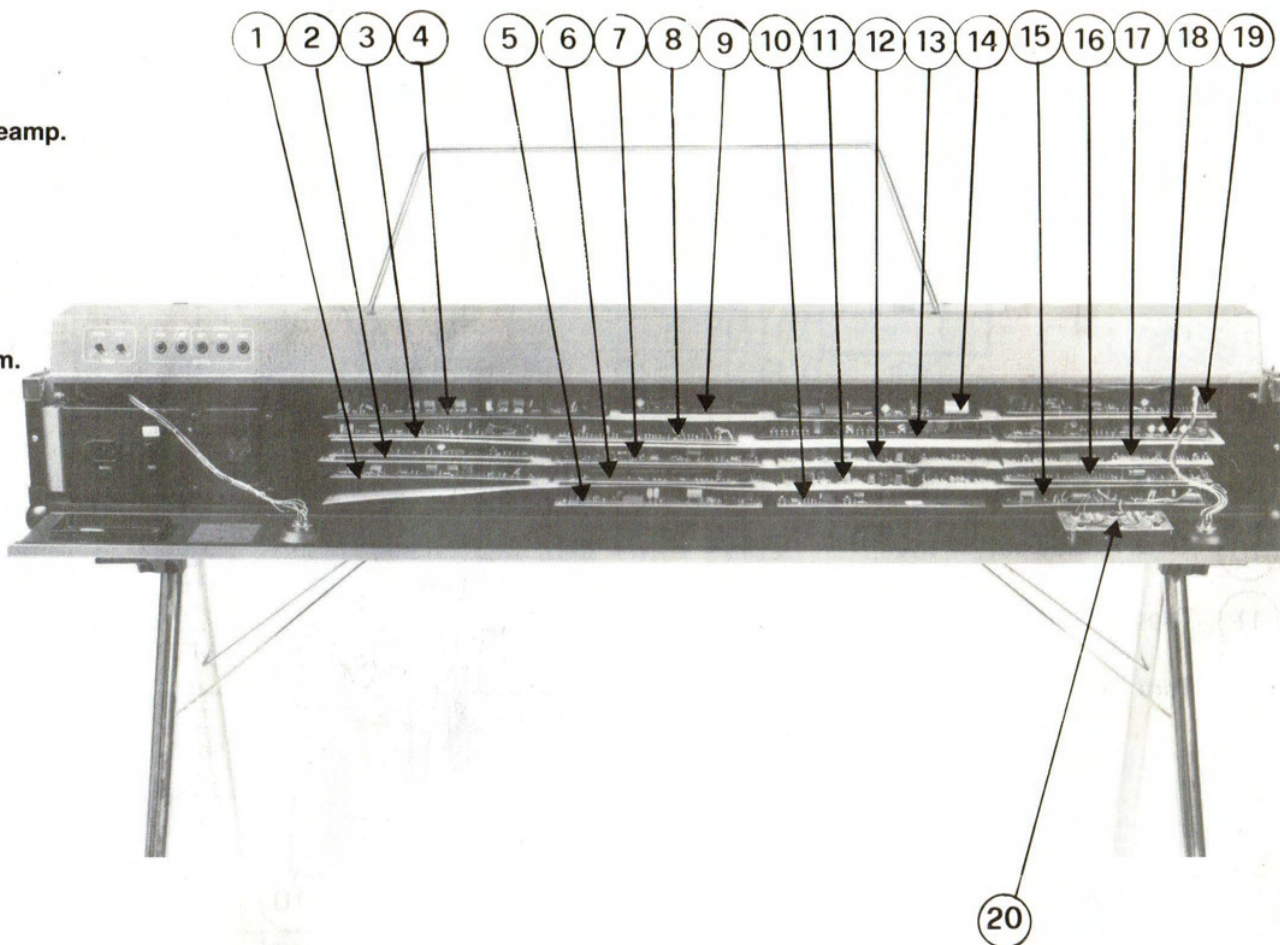
⑯ (477GR15920) Solo musette clarinet etc. filters


⑰ (477GR15910) Solo sax and Vibrato

⑱ (477GR15900) Solo guitar trumpet etc. filters

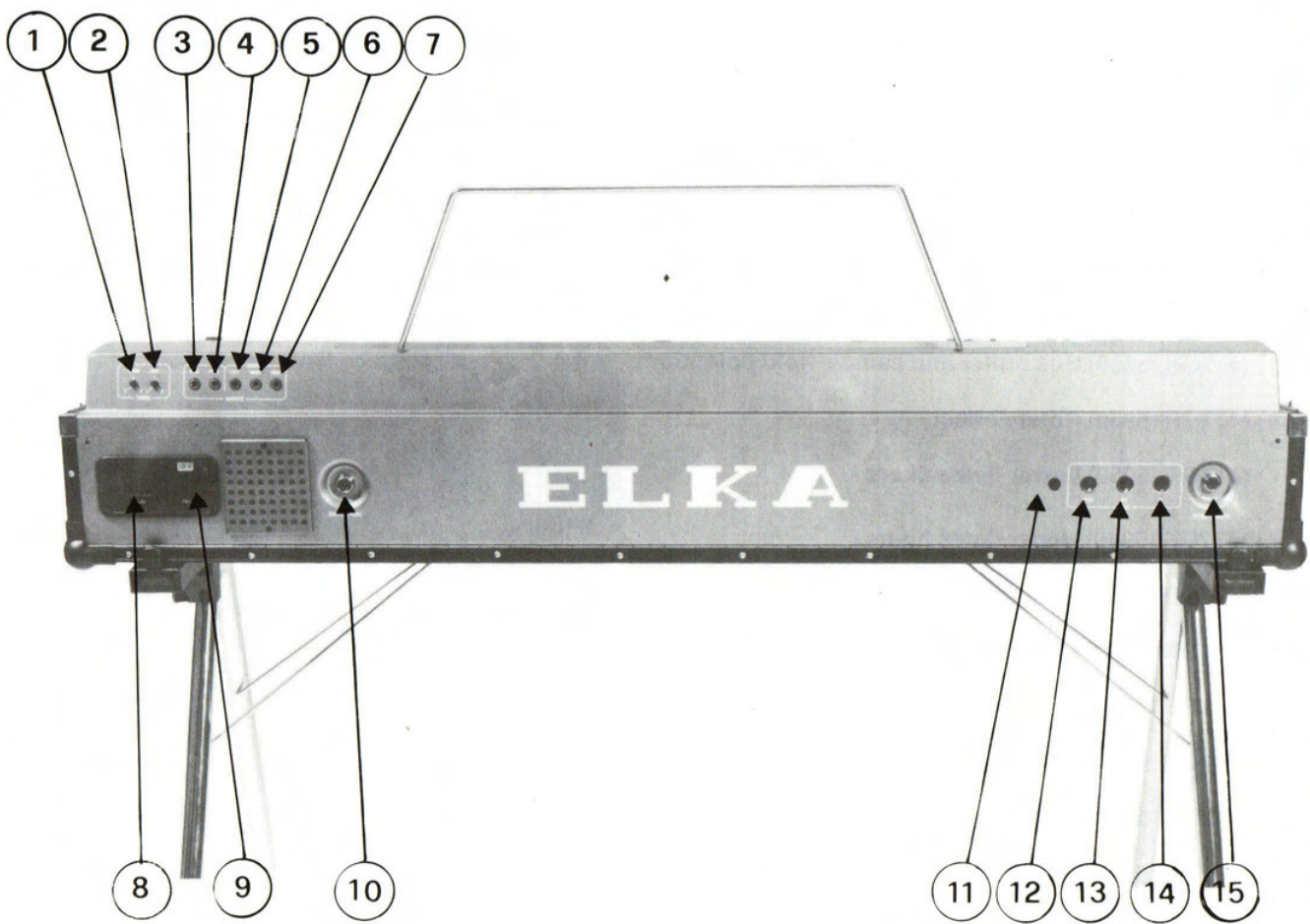
⑲ (477GR15890) Bass filters


⑳ (477GR1616A) Midi sockets

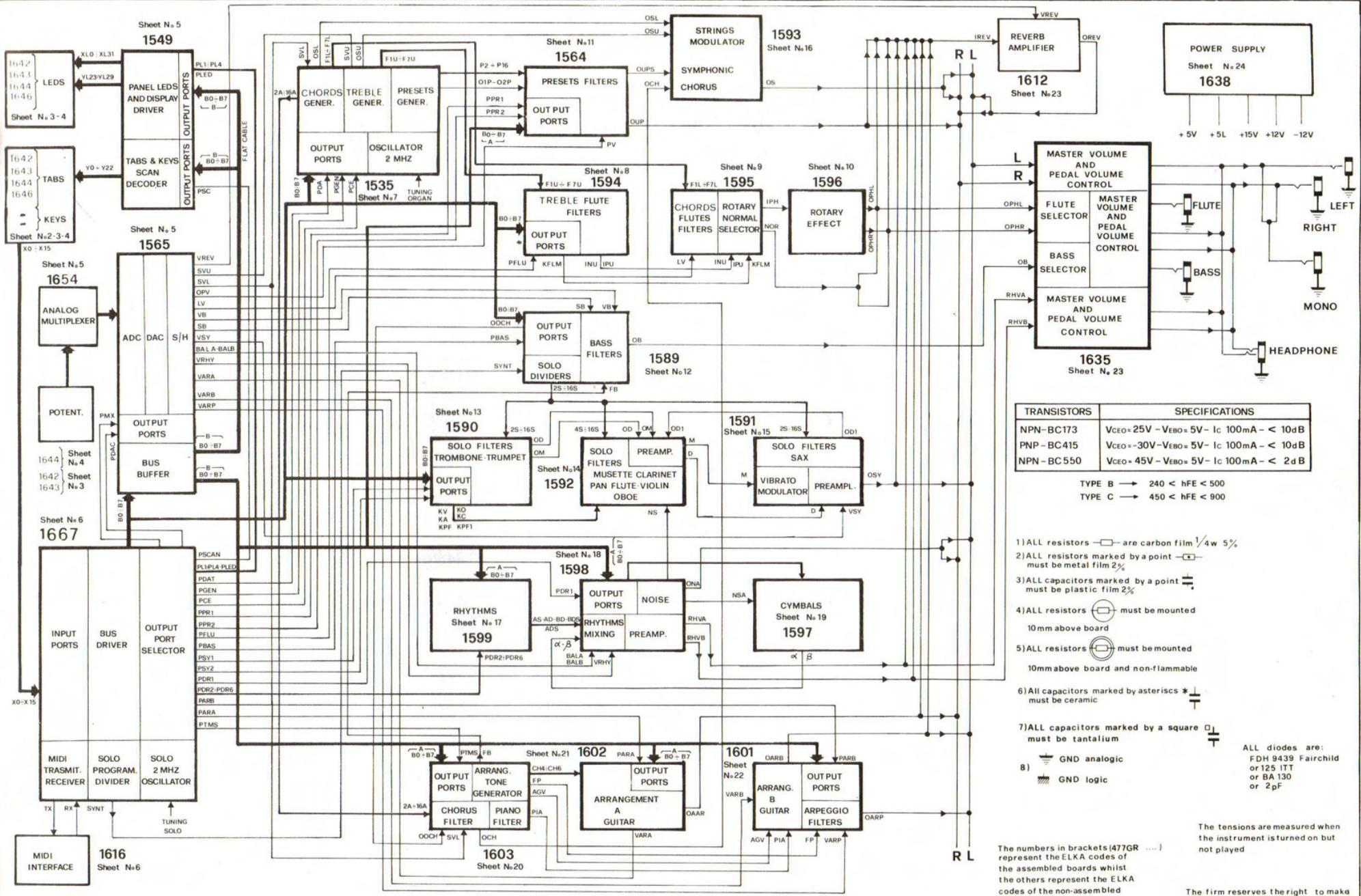


	Model	Object :	Sheet N ^o C
	Concorde 810 - 811	inside view of the organ	Date 8 - 11 - 84

- 1 Organo
 - 2 Solo
 - 3 Bass
 - 4 Flute
 - 5 Left
 - 6 Mono
 - 7 Right
 - 8 Mains
 - 9 Fuse
 - 10 Swell Pedal
 - 11 Trigger Out
 - 12 Thru
 - 13 Out
 - 14 In
 - 15 Pedal Effects
- } Tuning
- } Outputs
- } General
- } Midi



	Model	Object	Sheet N.º D
	Concorde 810-811	Inside view of the organ	Date 8-11-84



TRANSISTORS	SPECIFICATIONS
NPN-BC173	V _{CE0} =25V - V _{EB0} =5V - I _c 100mA - < 10dB
PNP-BC415	V _{CE0} =-30V - V _{EB0} =5V - I _c 100mA - < 10dB
NPN-BC550	V _{CE0} =45V - V _{EB0} =5V - I _c 100mA - < 2dB

TYPE B → 240 < hFE < 500
 TYPE C → 450 < hFE < 900

- 1) ALL resistors are carbon film 1/4w 5%
- 2) ALL resistors marked by a point must be metal film 2%
- 3) ALL capacitors marked by a point must be plastic film 2%
- 4) ALL resistors must be mounted 10mm above board
- 5) ALL resistors must be mounted 10mm above board and non-flammable
- 6) All capacitors marked by asterisks * must be ceramic
- 7) ALL capacitors marked by a square must be tantalum
- 8) GND analogic
 GND logic

ALL diodes are:
 FDH 9439 Fairchild
 or 125 1TT
 or BA 130
 or 2pF

The numbers in brackets (477GR ...) represent the ELKA codes of the assembled boards whilst the others represent the ELKA codes of the non-assembled boards

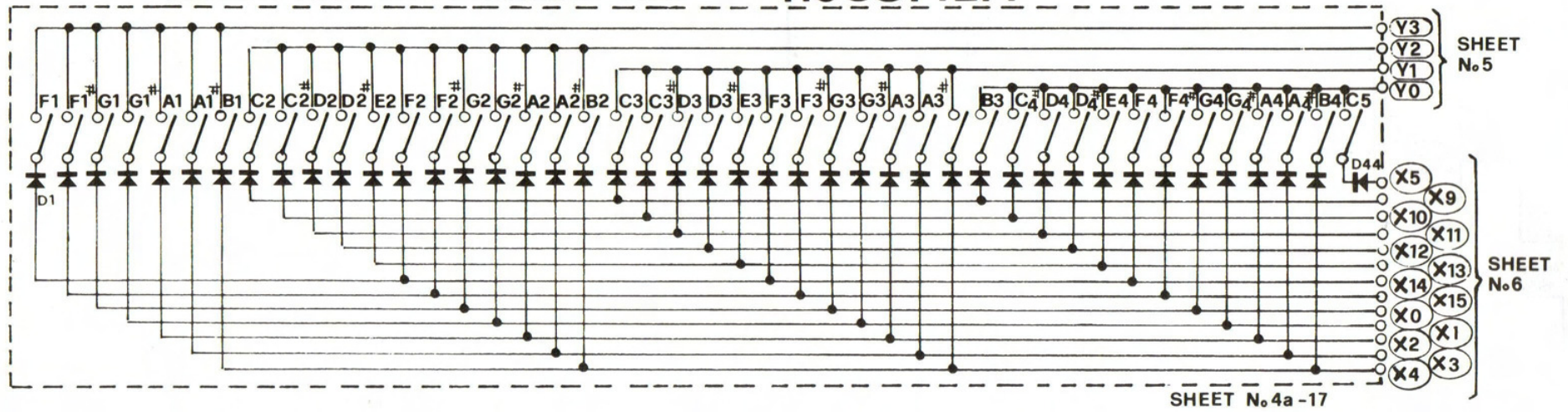
The tensions are measured when the instrument is turned on but not played

The firm reserves the right to make changes without any warning and to their own discretion

DESIGNED BY *W. Morini*
 DRAWN BY *Mat. Vero* CHECKED BY *Antonio di...*

CONTACTS ASSEMBLY FOR TREBLE KEYBOARD

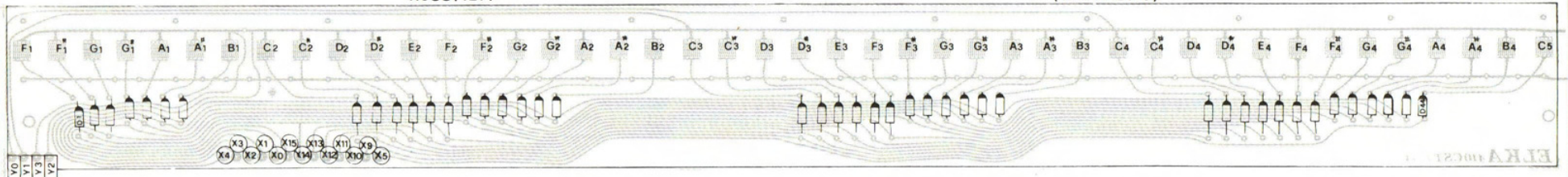
410GST1271



SHEET No.4a-17

410CST1271

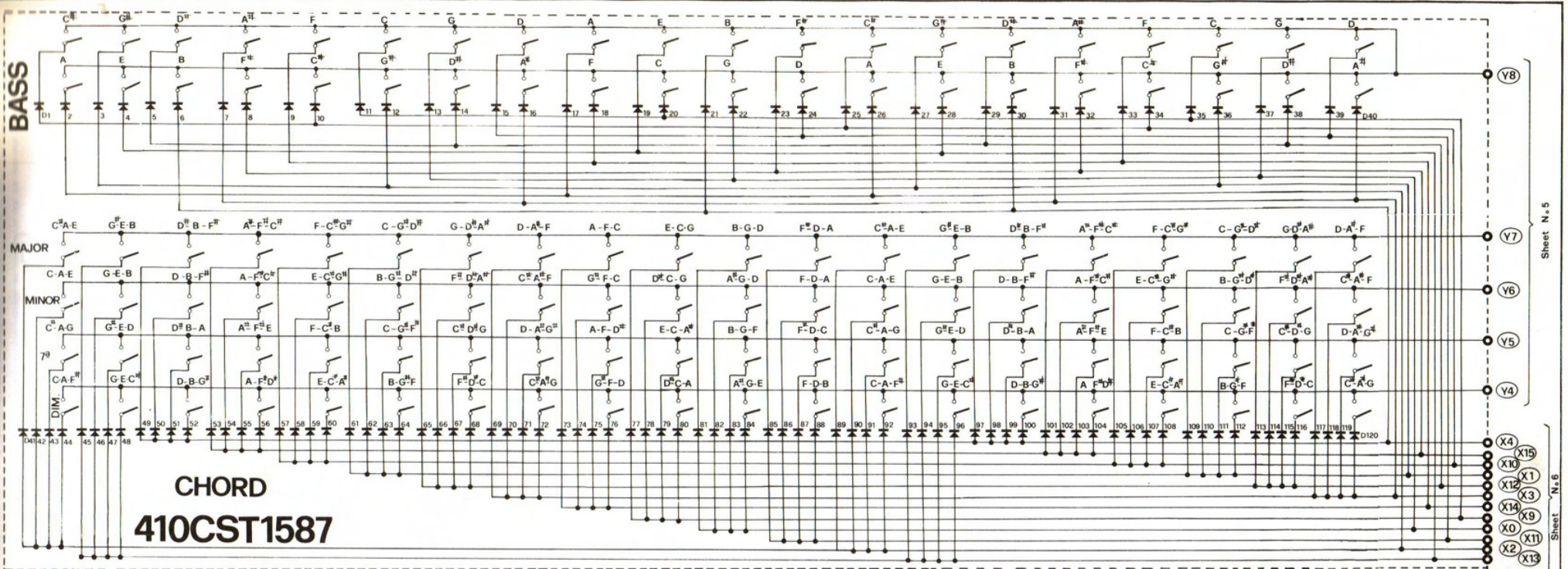
(477GR12710)



Model
CONCORDE
811

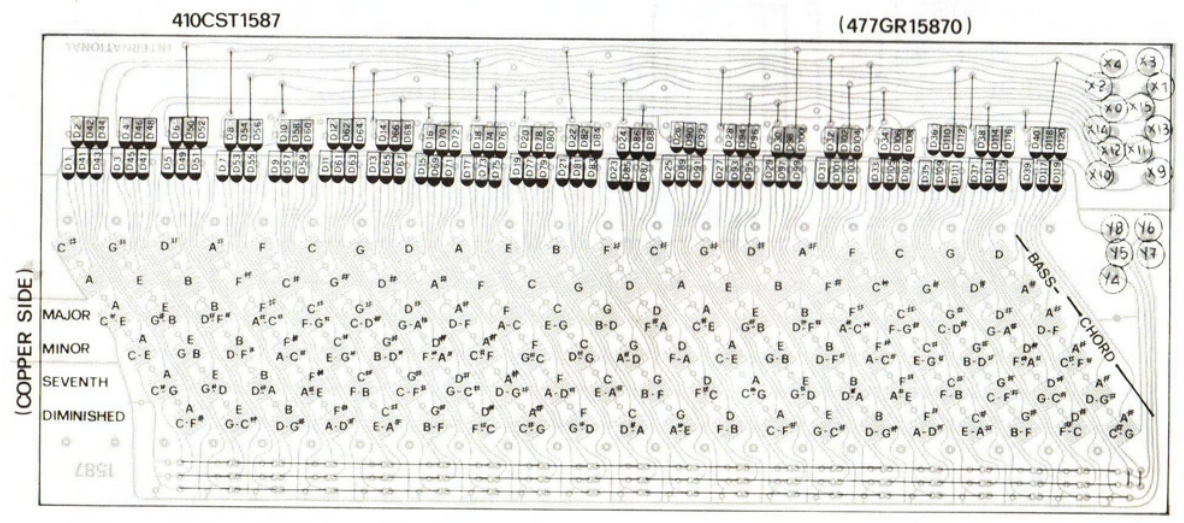
Sheet No. 2 a

Date 8-11-84



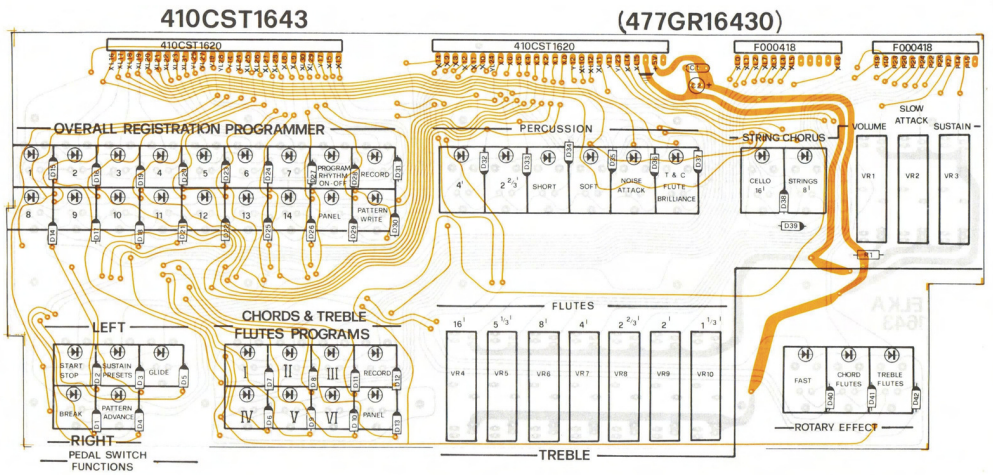
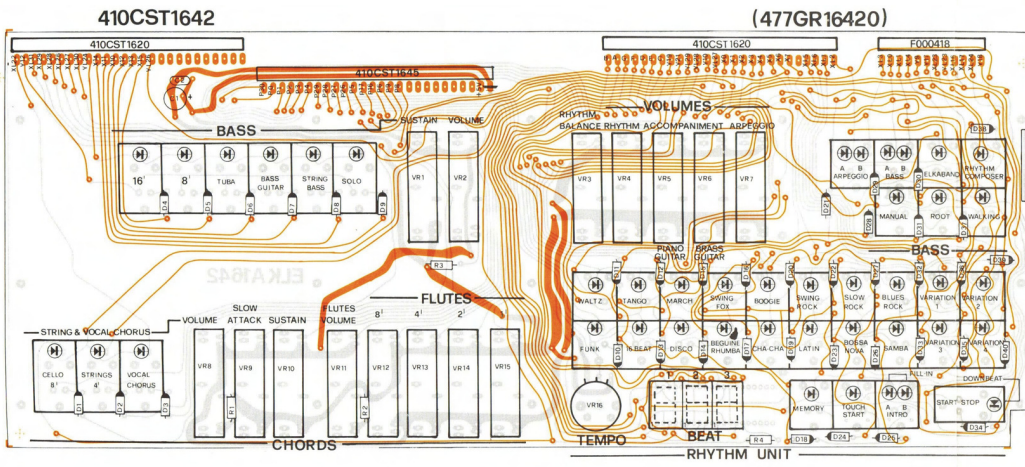
CHORD
410CST1587

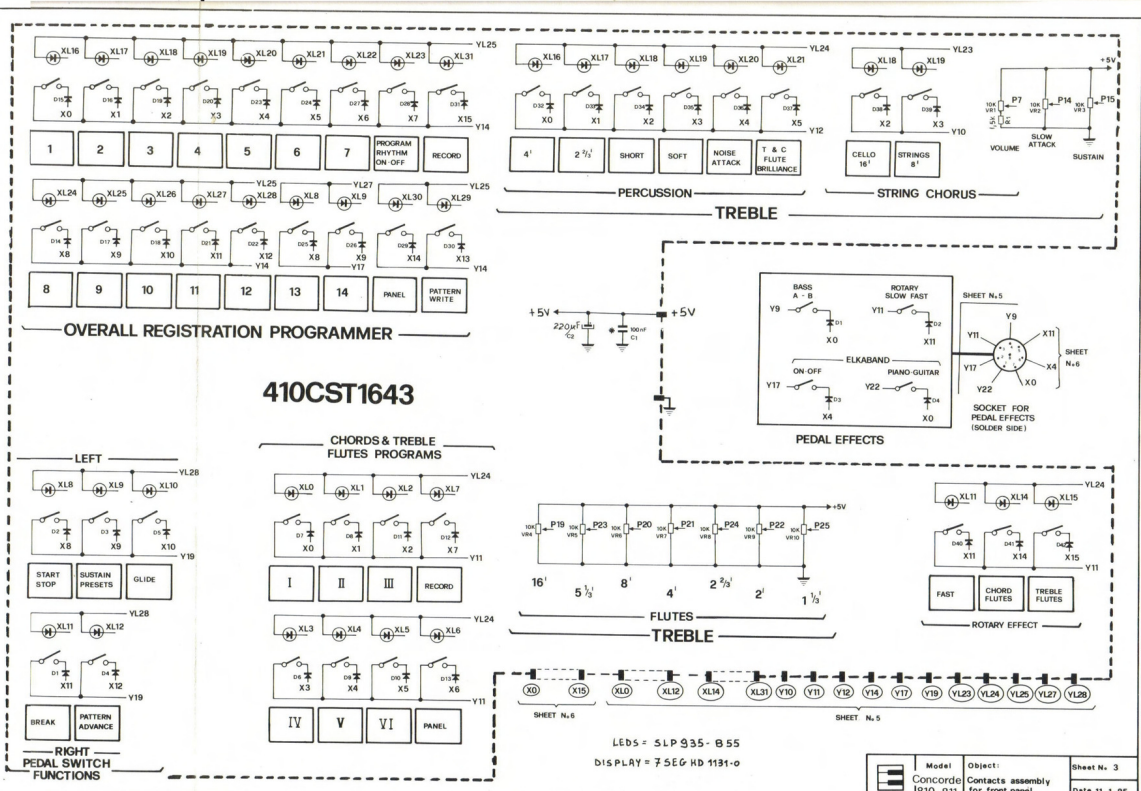
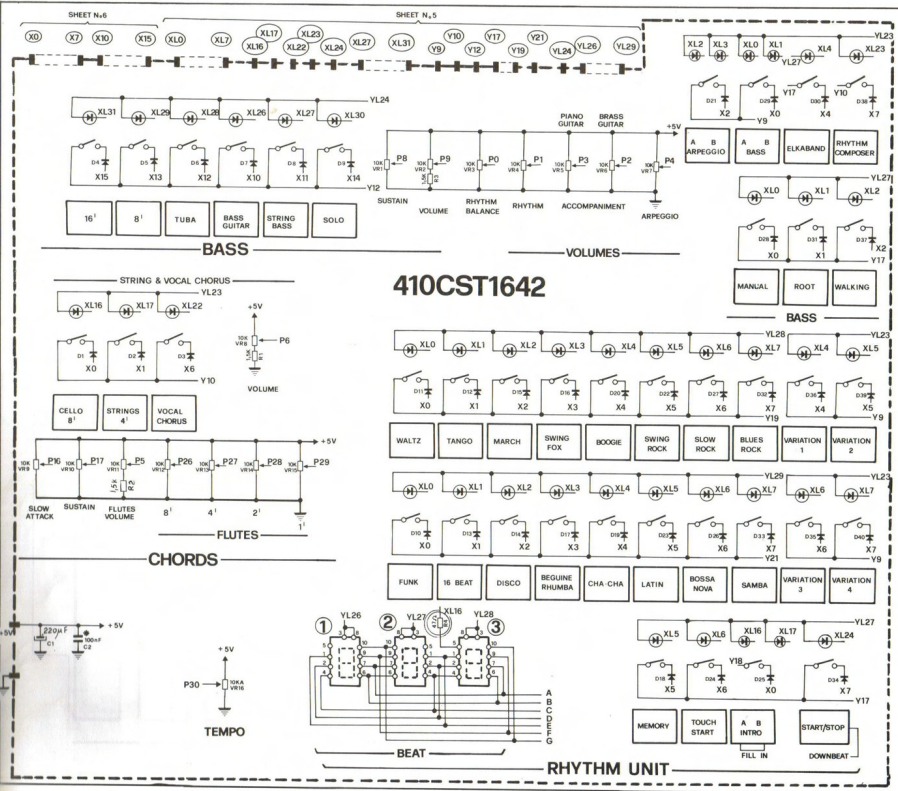
INTERATIONAL SYSTEM



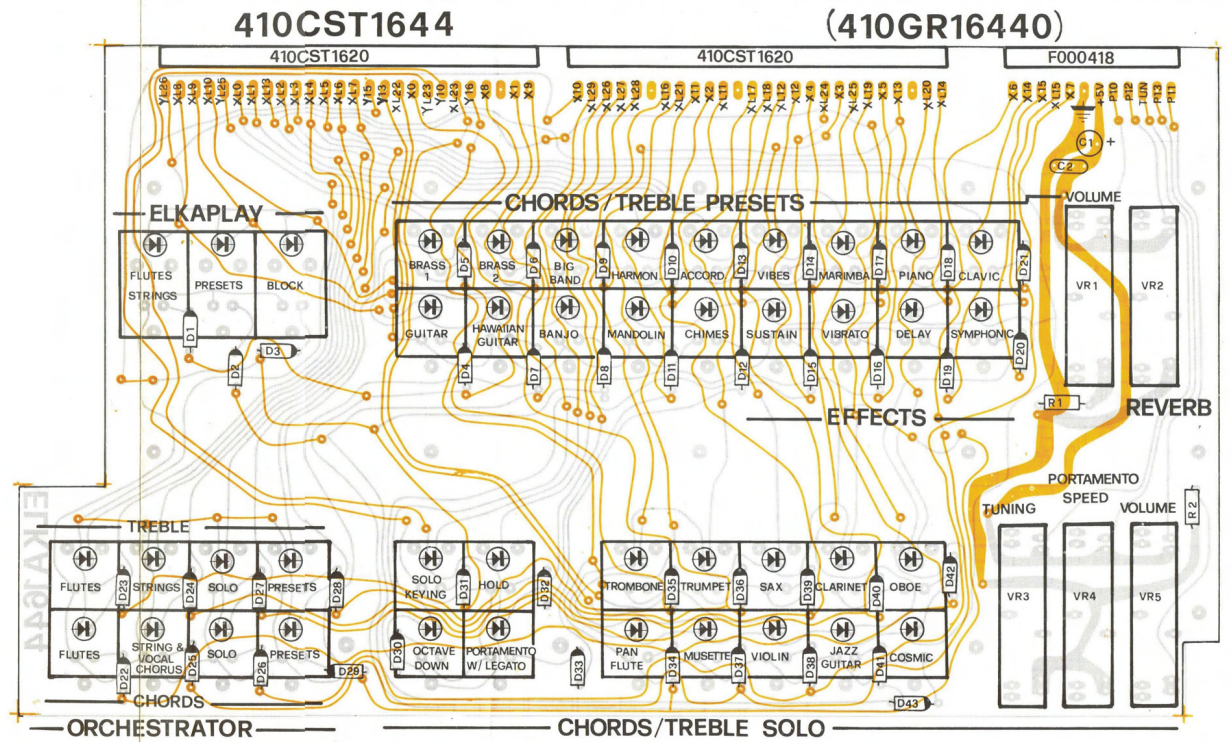
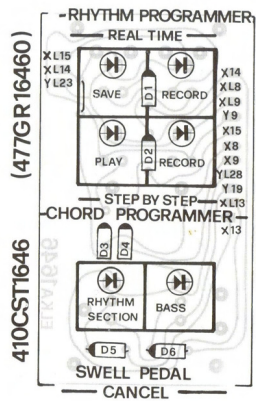
	Model	Object:	Sheet No.2
	811	Chord & Bass	Date 8-11-84

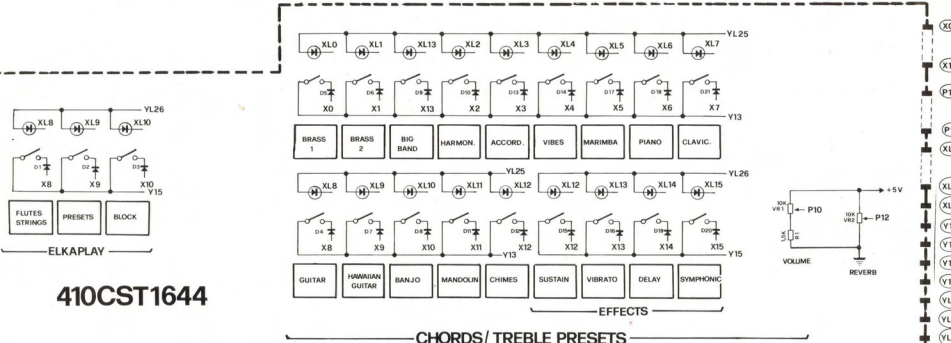
Sheet N. 5
Sheet N. 6



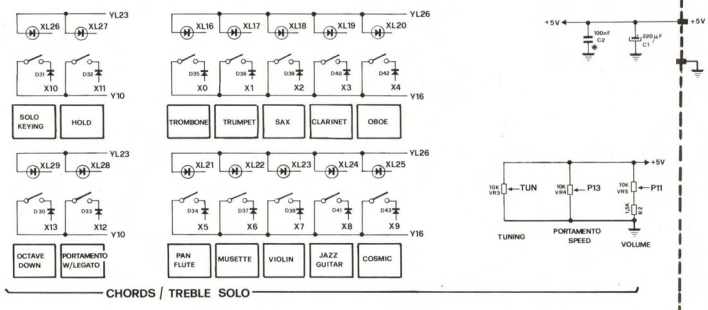
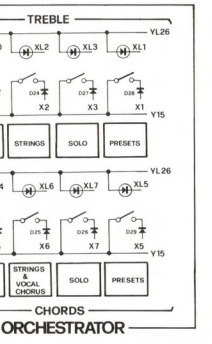


Model	Object:	Sheet No. 3
Concorde	Contacts assembly for front panel	Date 11-1-85





410CST1644



SHEET No. 4
XL0
XL1
XL2
XL3
XL4
XL5
XL6
XL7
XL8
XL9
XL10
XL11
XL12
XL13
XL14
XL15
XL16
XL17
XL18
XL19
XL20
XL21
XL22
XL23
XL24
XL25
XL26
XL27
XL28
XL29
SHEET No. 5
YL25
YL26
YL27
YL28
YL29
SHEET No. 6
YL26
YL27
YL28
YL29

SCANNING MATRIX FOR KEYBOARDS AND SWITCHES

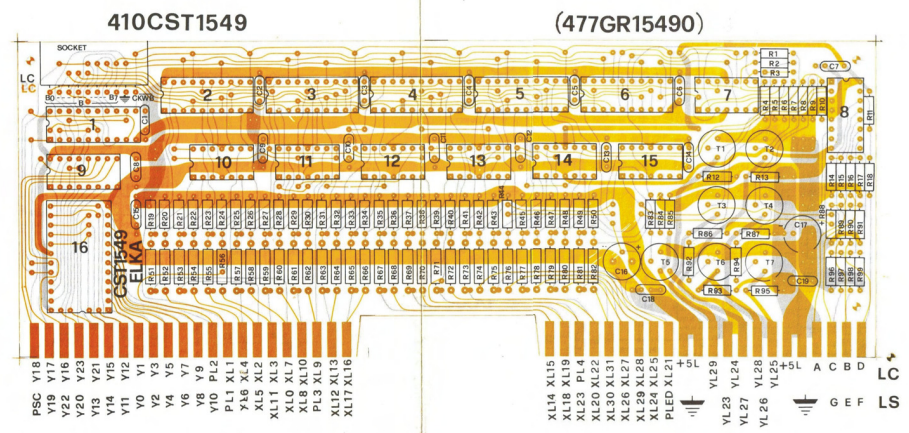
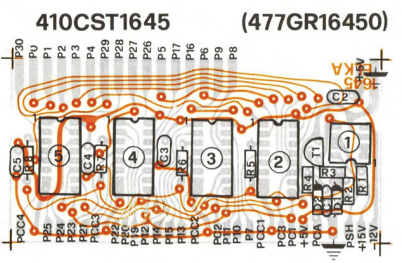
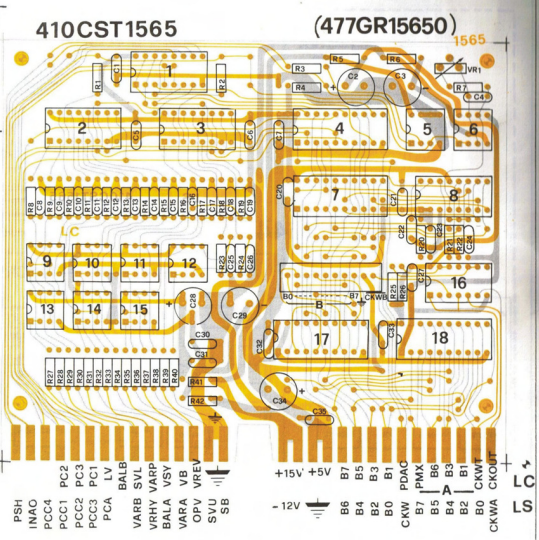
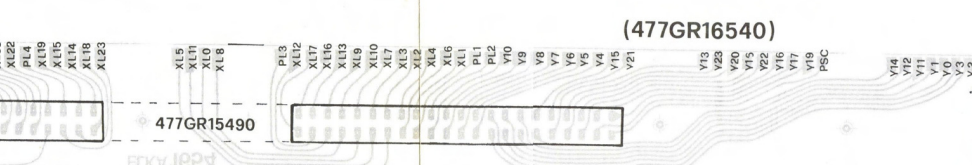
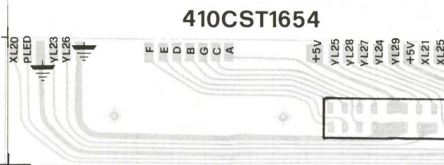
	Y0	Y1	Y2	Y3	Y4	Y5	Y6	Y7	Y8	Y9	Y10	Y11	Y12	Y13	Y14	Y15	Y16	Y17	Y18	Y19	Y20	Y21	Y22	Y23	
X0	G4	G3	G2	G1	G4	G3	G2	G1	G	BASS	CELLO	2 P.	PERC.	BRASS	FLUTES	TRICORNER	MANUAL	INTRO	WALTZ	FUNK					
X1	G4	G3	G2	G1	G4	G3	G2	G1	G	BASS	CELLO	2 P.	PERC.	BRASS	FLUTES	TRICORNER	MANUAL	INTRO	WALTZ	FUNK					
X2	A4	A3	A2	A1	A4	A3	A2	A1	A	ARPEGGIO	CELLO	2 P.	PERC.	BRASS	FLUTES	TRICORNER	MANUAL	INTRO	WALTZ	FUNK					
X3	A4	A3	A2	A1	A4	A3	A2	A1	A	ARPEGGIO	CELLO	2 P.	PERC.	BRASS	FLUTES	TRICORNER	MANUAL	INTRO	WALTZ	FUNK					
X4	B4	B3	B2	B1	B4	B3	B2	B1	B	VARIAT.	1	NOISE	VIBES	FLUTES	TRICORNER	MANUAL	INTRO	WALTZ	FUNK						
X5	C5									VARIAT.	2	FLUTE	MARIMBA	PRESETS	FLUTE	MEMORY									
X6										VARIAT.	3	VOCAL	PANEL	PIANO	MUSETTE	TOUCH									
X7										VARIAT.	4	RHYTHM	RECORD	CLAVICH.	SOLO	START									
X8										PLAY	RECORD	PROGRAM	SOLO	FLUTES	JAZZ	DOWN									
X9	C4	C3	C2	C1	C4	C3	C2	C1	C	HOLD	FAST	STRING	MANDOL.	PRESETS	FLUTE	MEMORY									
X10	C4	C3	C2	C1	C4	C3	C2	C1	C	HOLD	FAST	STRING	MANDOL.	PRESETS	FLUTE	MEMORY									
X11	D4	D3	D2	D1	D4	D3	D2	D1	D	SOLO	KEYING	BASS	MANDOL.	PRESETS	FLUTE	MEMORY									
X12	D4	D3	D2	D1	D4	D3	D2	D1	D	SOLO	KEYING	BASS	MANDOL.	PRESETS	FLUTE	MEMORY									
X13	E4	E3	E2	E1	E4	E3	E2	E1	E	SAVE	RECORD	FLUTES	SOLO	PRESETS	FLUTE	MEMORY									
X14	F4	F3	F2	F1	F4	F3	F2	F1	F	SAVE	RECORD	FLUTES	SOLO	PRESETS	FLUTE	MEMORY									
X15	F4	F3	F2	F1	F4	F3	F2	F1	F	SAVE	RECORD	FLUTES	SOLO	PRESETS	FLUTE	MEMORY									


SCANNING MATRIX FOR LEDES

	YL23	YL24	YL25	YL26	YL27	YL28	YL29
XL0	BASS	CELLO	2 P.	PERC.	BRASS	FLUTES	TRICORNER
XL1	BASS	CELLO	2 P.	PERC.	BRASS	FLUTES	TRICORNER
XL2	ARPEGGIO	CELLO	2 P.	PERC.	HARMON.	STRINGS	SAX
XL3	ARPEGGIO	CELLO	2 P.	PERC.	HARMON.	STRINGS	SAX
XL4	VARIAT.	1	NOISE	VIBES	FLUTES	TRICORNER	MANUAL
XL5	VARIAT.	2	FLUTE	MARIMBA	PRESETS	FLUTE	MEMORY
XL6	VARIAT.	3	VOCAL	PANEL	PIANO	MUSETTE	TOUCH
XL7	VARIAT.	4	RHYTHM	RECORD	CLAVICH.	SOLO	START
XL8	PLAY	RECORD	PROGRAM	SOLO	FLUTES	JAZZ	DOWN
XL9	PLAY	RECORD	PROGRAM	SOLO	FLUTES	JAZZ	DOWN
XL10	SOLO	KEYING	BASS	MANDOL.	PRESETS	FLUTE	MEMORY
XL11	HOLD	FAST	STRING	MANDOL.	PRESETS	FLUTE	MEMORY
XL12	PORTAM.	LEGATO	TUBA	CHIMES	SUSTAIN		
XL13	OCTAVE	DOWN	BASS	MANDOL.	VIBRATO		
XL14	SAVE	RECORD	FLUTES	SOLO	PRESETS	FLUTE	MEMORY
XL15	SAVE	RECORD	FLUTES	SOLO	PRESETS	FLUTE	MEMORY

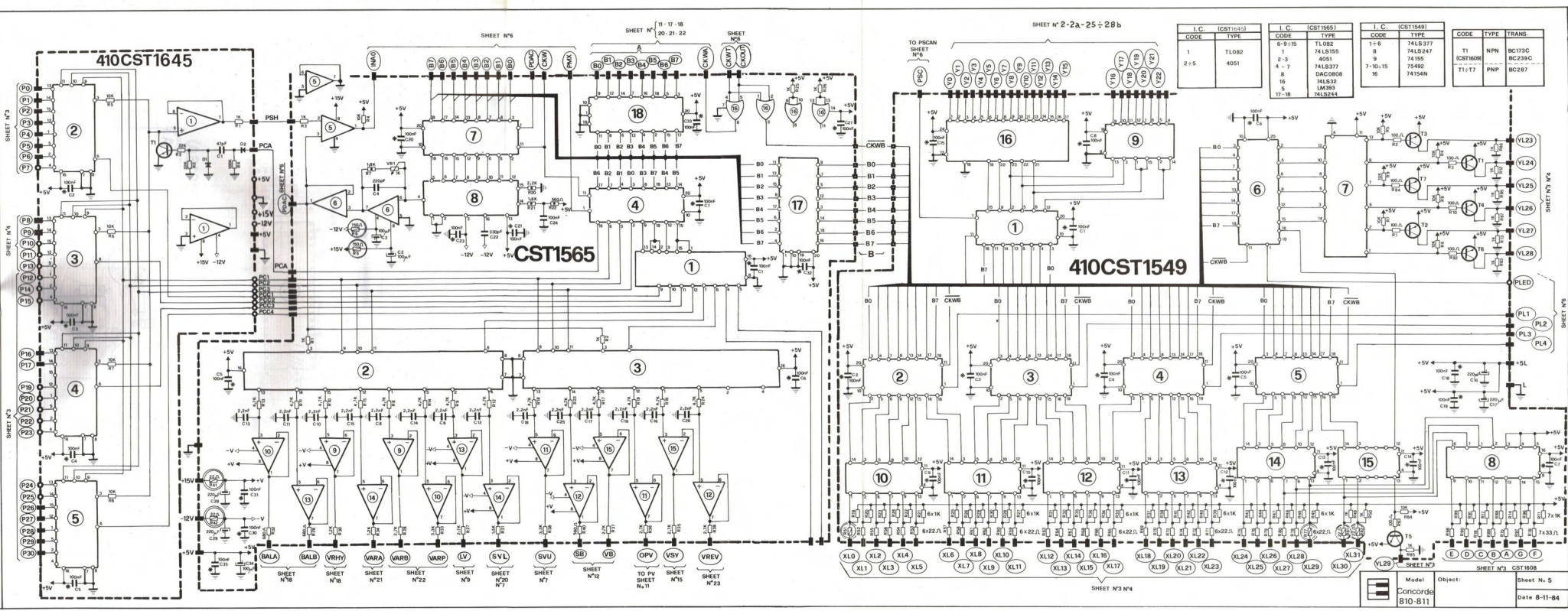
LED5 = SLP 935-B55

Model: Concorde
Object: Controls assembly for front panel and scanning matrix
Sheet No. 4
Date TI-1-85




 Model
 Concorde
 810-811

Sheet No:5 a
 Date 8-11-84

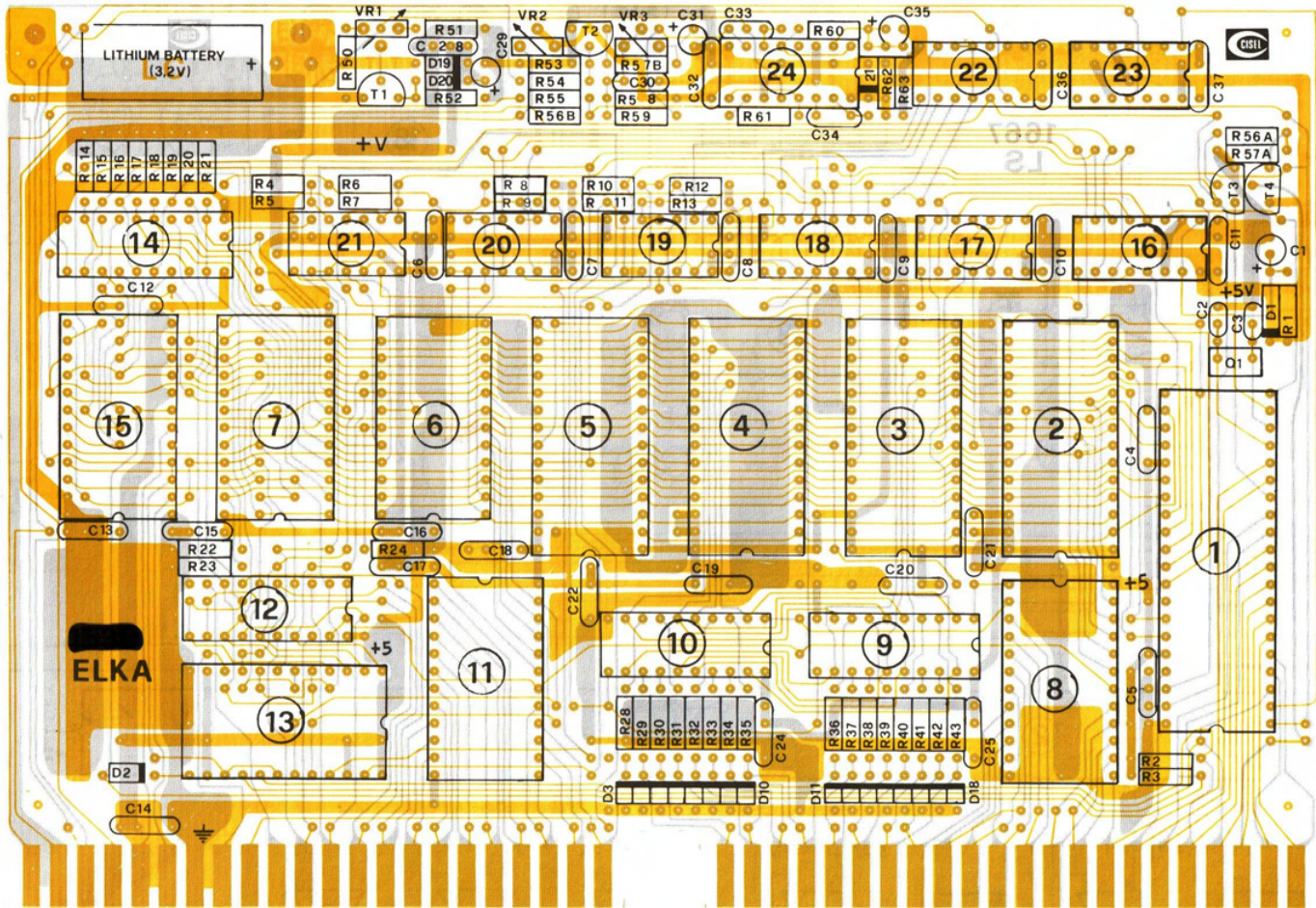


I. C. (CST1645)		I. C. (CST1565)		I. C. (CST1549)		CODE TYPE TRANS.		
CODE	TYPE	CODE	TYPE	CODE	TYPE	T1	NPN	TRANS.
1	TL082	6-9-15	TL082	11-6	74LS337	T1	NPN	BC173C
2-5	4051	1	74LS155	8	74LS247	BC173C		BC239C
		2-3	4051	9	74155			BC287
		4-7	74LS337	7-10-15	7482			
		8	DAC0808	16	74154N			
		16	74LS32					
		17-19	74LS244					

Model: 810-811
 Object: Concorde 810-811
 Sheet N. 5
 Date: 8-11-84

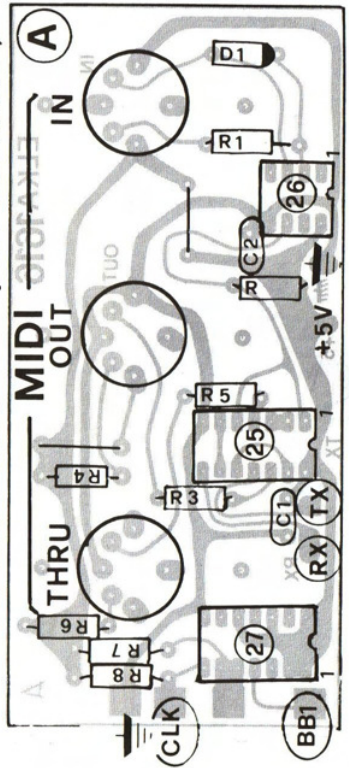
410CST1667

(477GR16670)

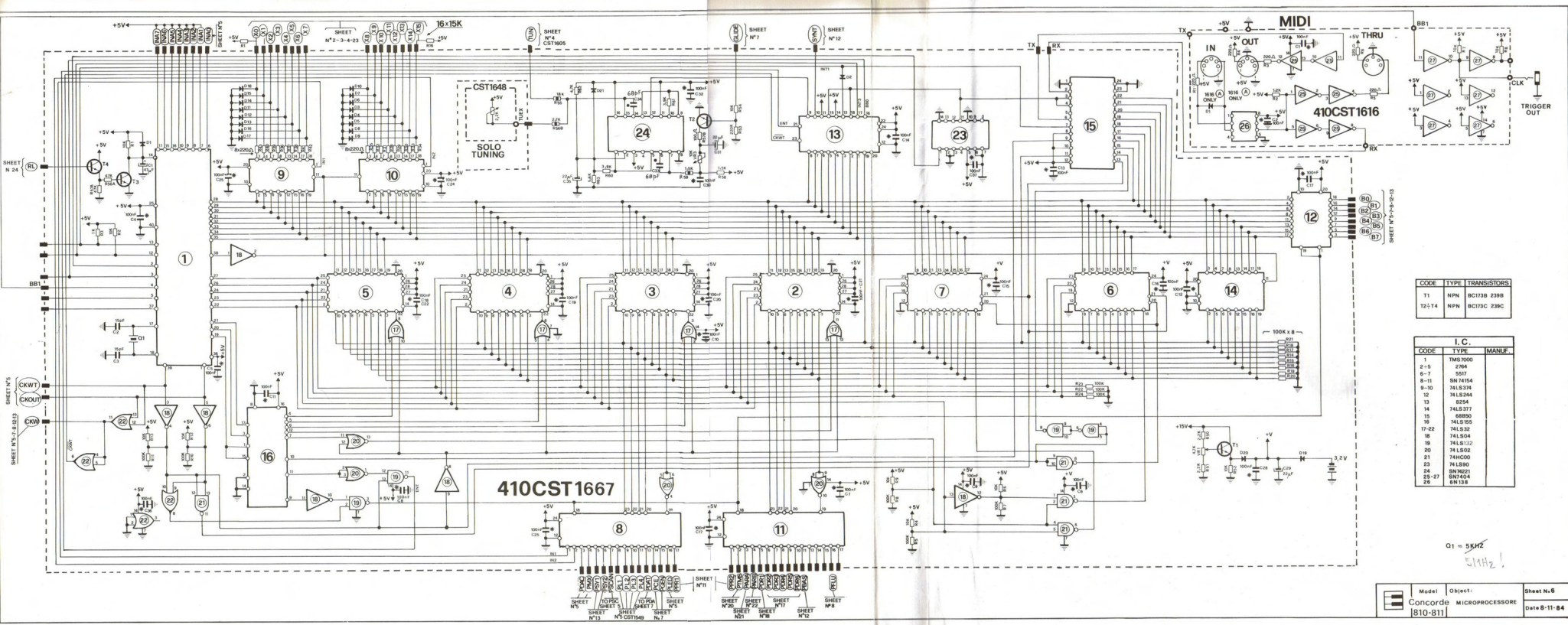


- CKWT
- CKOUT
- GLIDE
- TUEX
- +5V
- SYNT
- CKW
- B0
- B2
- B6
- B5
- PBAS
- PDR6
- PDR3
- PDR2
- PARA
- PTMS
- X11
- X13
- X9
- X15
- X8
- X4
- X2
- X6
- X7
- PSY2
- PSCAN
- PSY1
- PMX
- PPRT
- PLED
- PDAT
- INA5
- INA6
- INA7
- INA4
- INA3
- INA2
- INA1
- INA0
- LC
- +15V
- TUN
- TX
- RX
- SYNT
- B4
- B1
- B7
- B3
- PDR5
- PDR6
- PDR3
- PDR2
- PARA
- PTMS
- X12
- X10
- X14
- X3
- X5
- X1
- X0
- PL1
- PL2
- PL3
- PL4
- PGEN
- PCE
- PDAT
- RL
- BB1
- LS

410CST1616 (477GR1616A)



	Model	Sheet No. 6a
	CONCORDE	Date 8-11-84
	810-811	



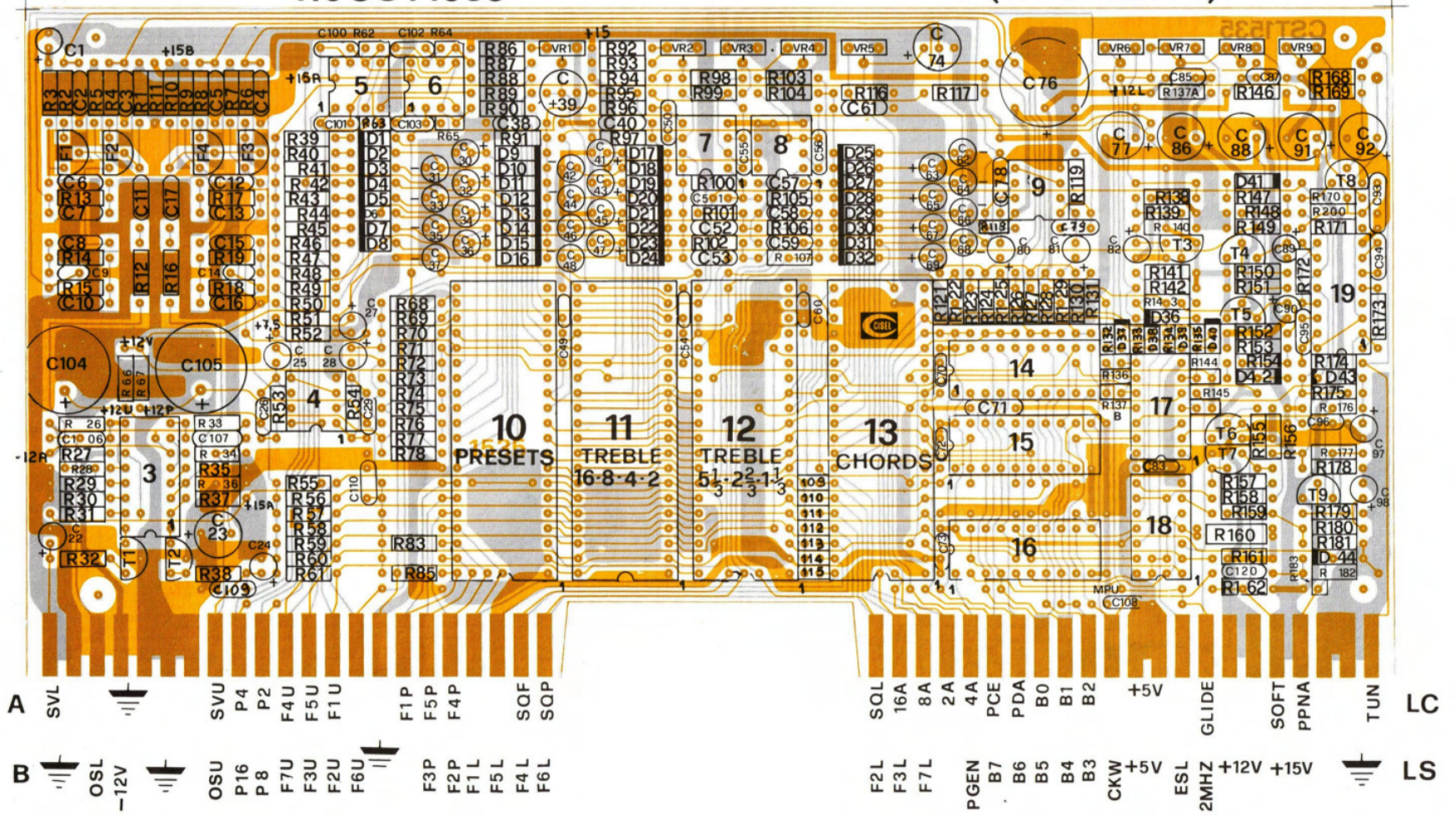
CODE	TYPE	TRANSISTORS
T1	NPN	BC173B 2398
T2-14	NPN	BC173C 239C

I.C.		
CODE	TYPE	MANF.
1	7400	2964
2-5	7404	3035
6-7	7413	3035
8-11	SN74154	3035
9-10	74LS24	3035
12	74LS24	3035
13	8254	3035
14	74LS27	3035
15	68850	3035
16	74LS55	3035
17-22	74LS32	3035
18	74LS24	3035
19	74LS12	3035
20	74LS02	3035
21	74HC00	3035
22	74LS90	3035
23	SN7401	3035
24	SN7404	3035
25-27	SN7404	3035
28	SN7404	3035

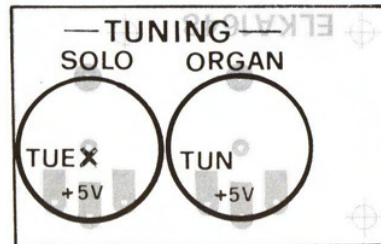
01 = 5KHz
5MHz!

410CST1535

(477GR15350)



410CST1648 (477 R16480)

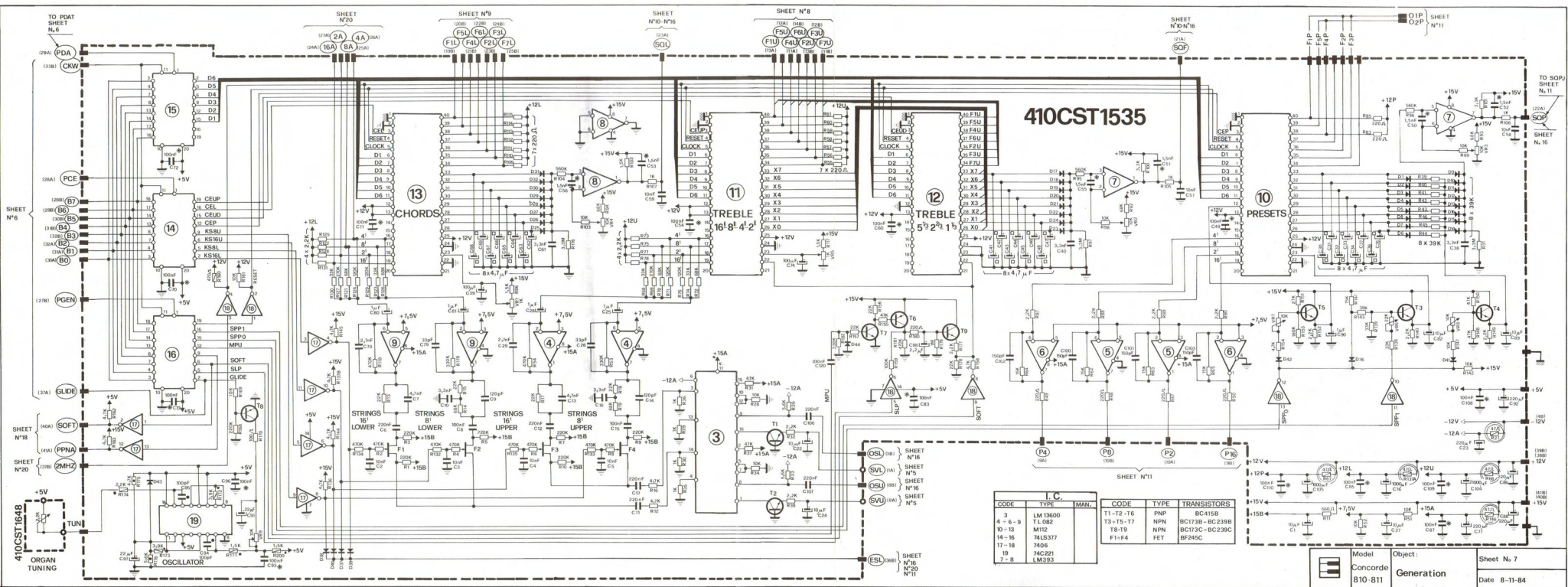


(COPPER SIDE)



Model
CONCORDE
810-811

Sheet No. 7a
Date 8-11-84

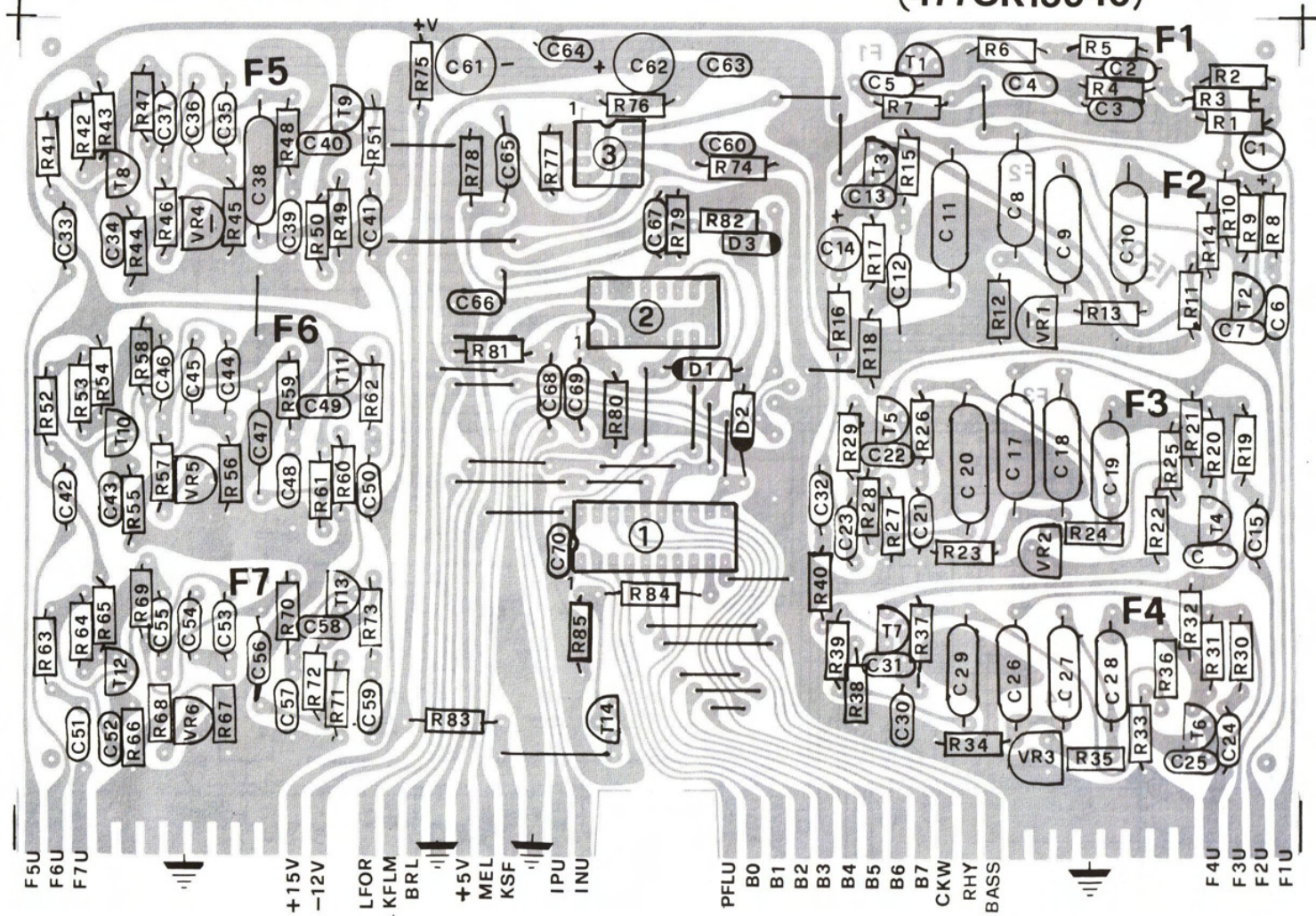


CODE	I. C.	MAN.
3	LM 3800	
4 - 6 - 9	TL 082	
10 - 13	M112	
14 - 16	74LS377	
17 - 18	7406	
19	74C221	
21 - 8	LM333	

CODE	TYPE	TRANSISTORS
T1 - T2 - T16	PNP	BC418B
T3 - T5 - T7	NPN	BC178B - BC239B
T8 - T9	FET	BC173C - BC239C
F3 - F4	FET	BF245C

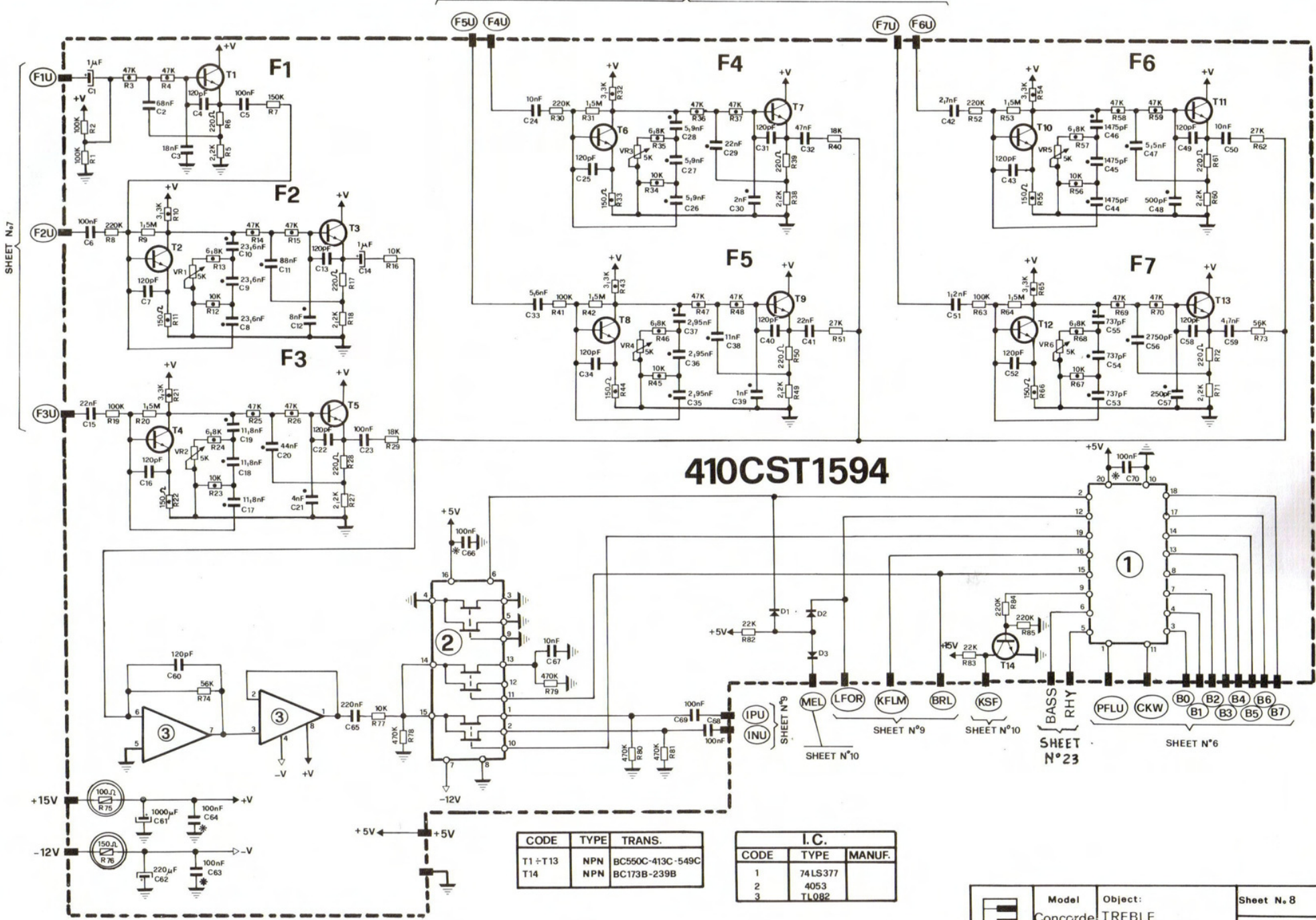
410CST1594

(477GR15940)



Model
CONCORDE
810-811

Sheet No.8a
Date 8-11-84



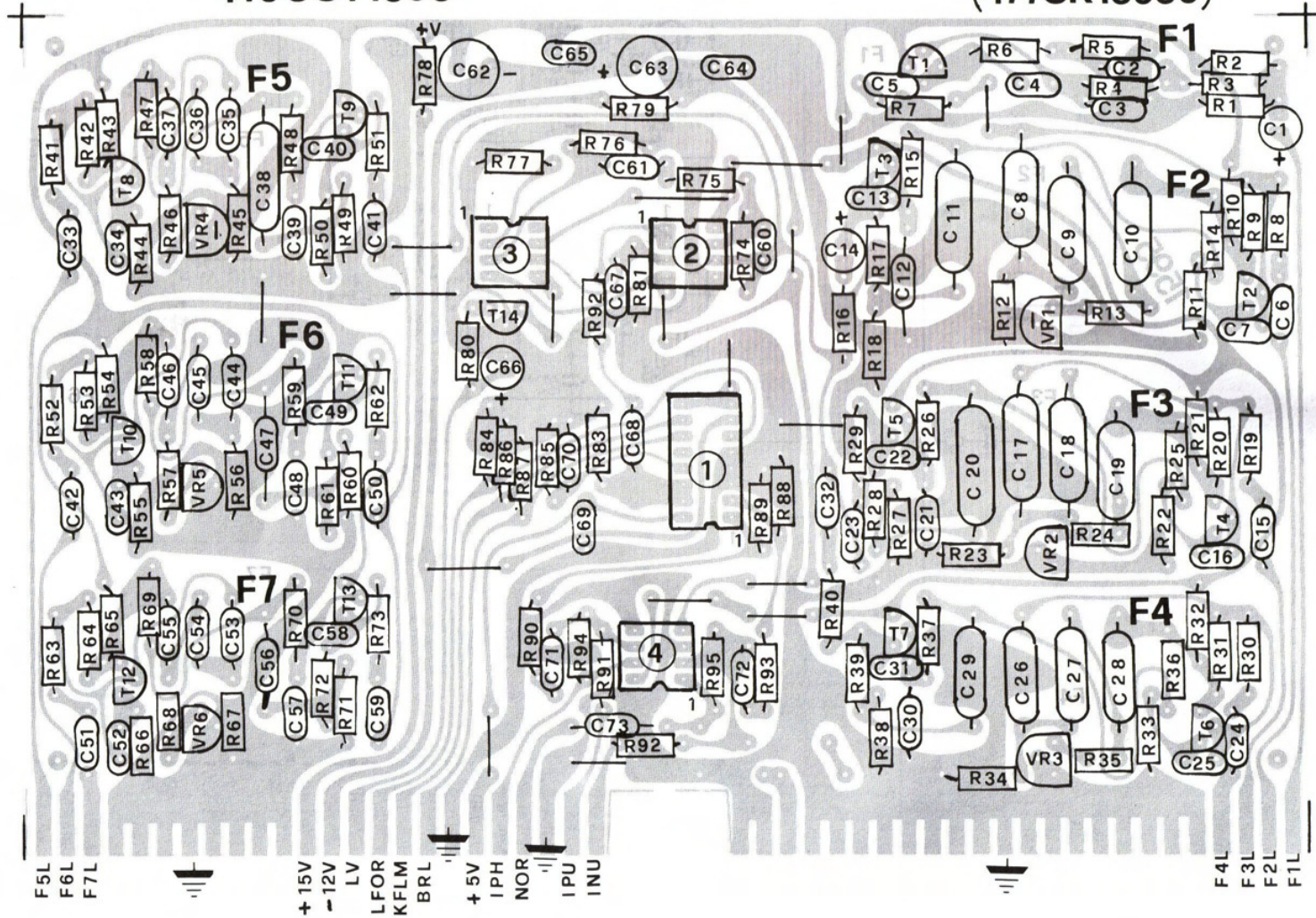
410CST1594

CODE	TYPE	TRANS.
T1 + T13	NPN	BC550C-413C-549C
T14	NPN	BC173B-239B

I.C.		
CODE	TYPE	MANUF.
1	74LS377	
2	4053	
3	TL082	

410CST1595

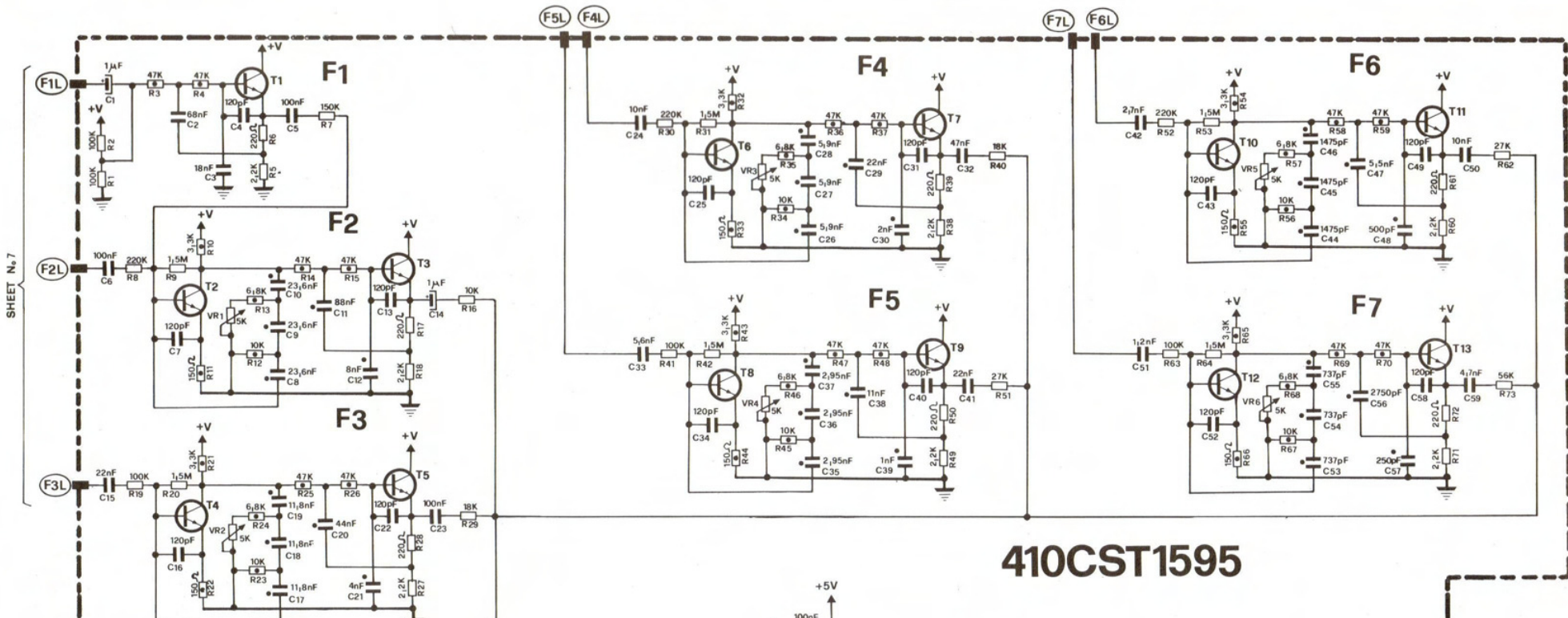
(477GR15950)



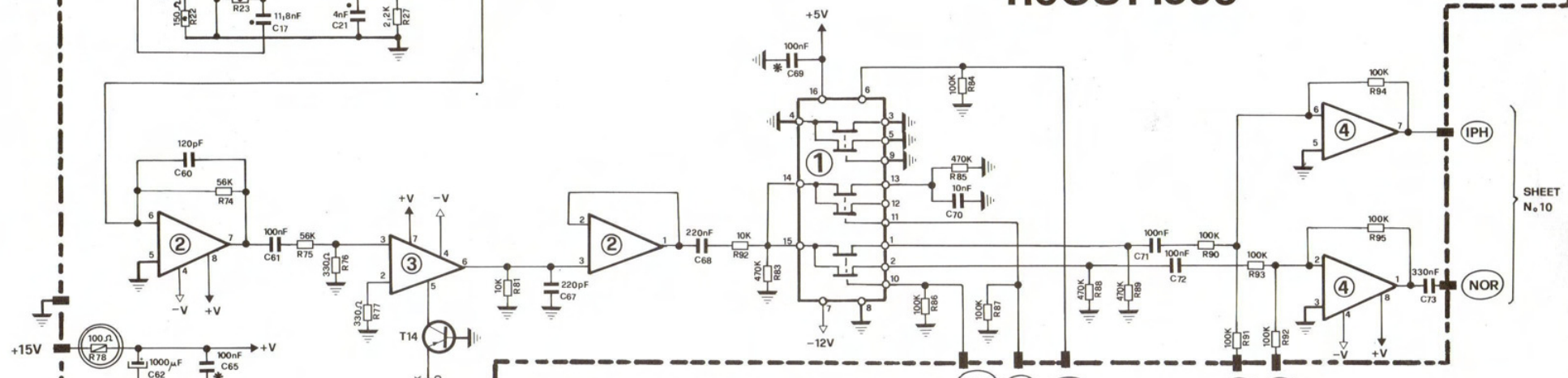
Model
CONCORDE
810-811

Sheet No. 9a

Date 8 - 11 - 84



410CST1595



I. C.		
CODE	TYPE	MANUF.
1	4053	
2-4	TL082	
3	CA3080	

CODE	TYPE	TRANS.
T1 ÷ T13	NPN	BC550C-413C-549C
T14	PNP	BC415B

(KFLM) (BRL) (LFOR) (IPU) (INU)

SHEET No. 8

SHEET No. 7

SHEET No. 10

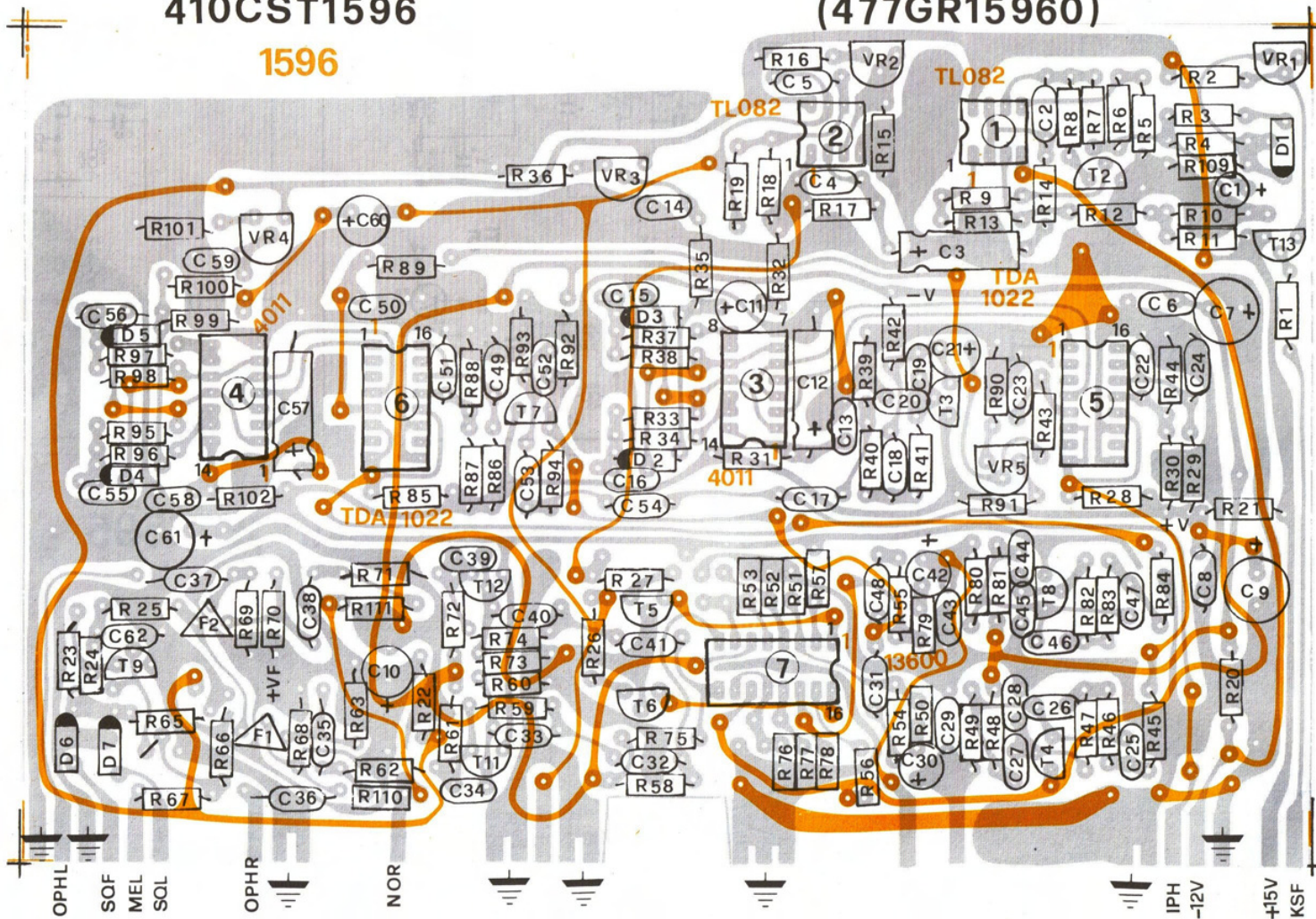
SHEET No. 5

	Model	Object:	Sheet No. 9
	810-811	CHORDS FLUTE FILTERS	Date 8-11-84

410CST1596

1596

(477GR15960)



Model
CONCORDE
810-811

Sheet No 10a

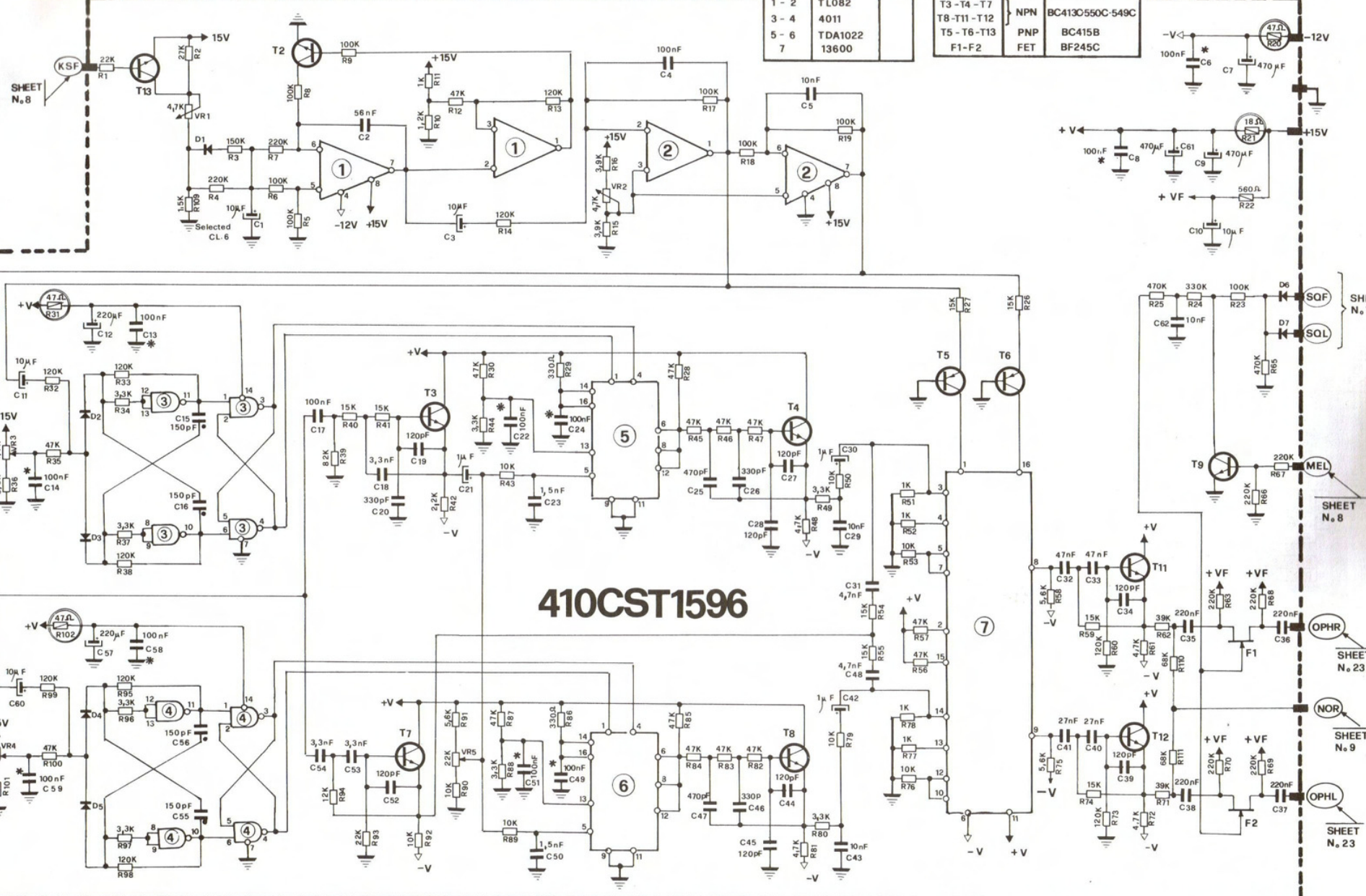
Date 8 - 11 - 84

SHEET No. 8

KSF

IPH

SHEET No. 9

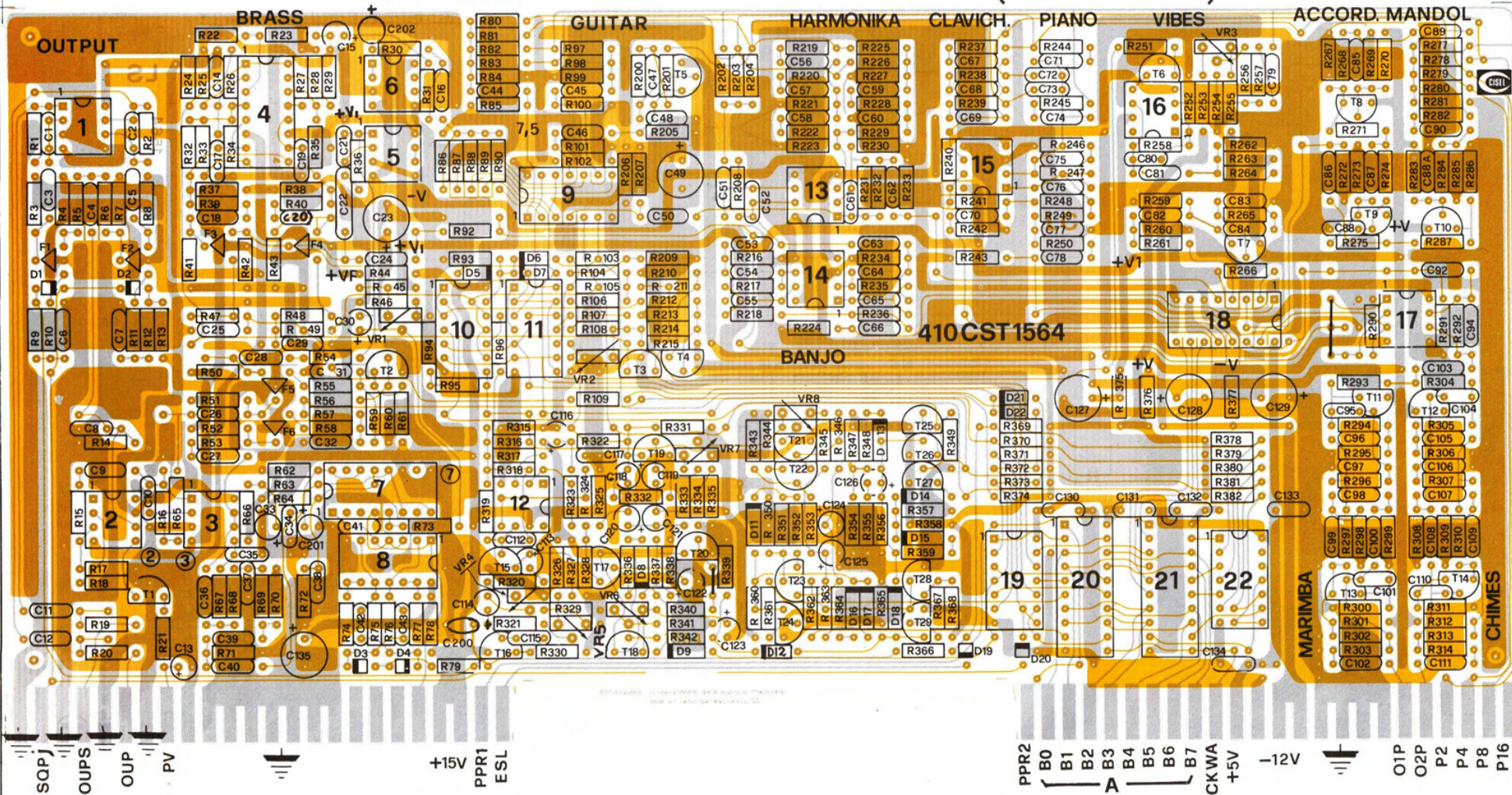


I.C.		
CODE	TYPE	MAN
1 - 2	TL082	
3 - 4	4011	
5 - 6	TDA1022	
7	13600	


CODE	TYPE	TRANSISTORS
T2 - T9	NPN	BC173B-239B
T3 - T4 - T7	NPN	BC4130/550C-549C
T8 - T11 - T12	NPN	BC415B
T5 - T6 - T13	PNP	BC415B
F1-F2	FET	BF245C

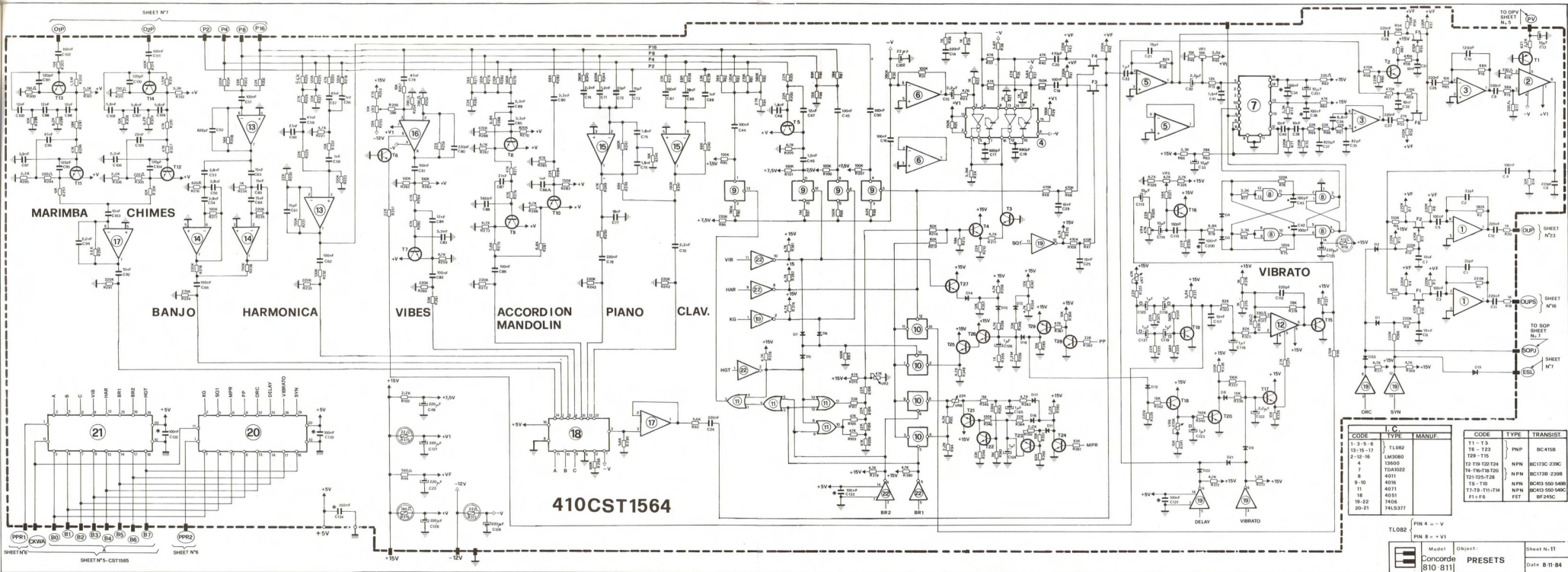
410CST1564

(477GR15640)



© 1984 Yamaha Corporation, 6666 West 12th Street, Van Nuys, CA 91411

	Model	Sheet No.11a
	CONCORDE 810-811	Date 8 - 11 - 84

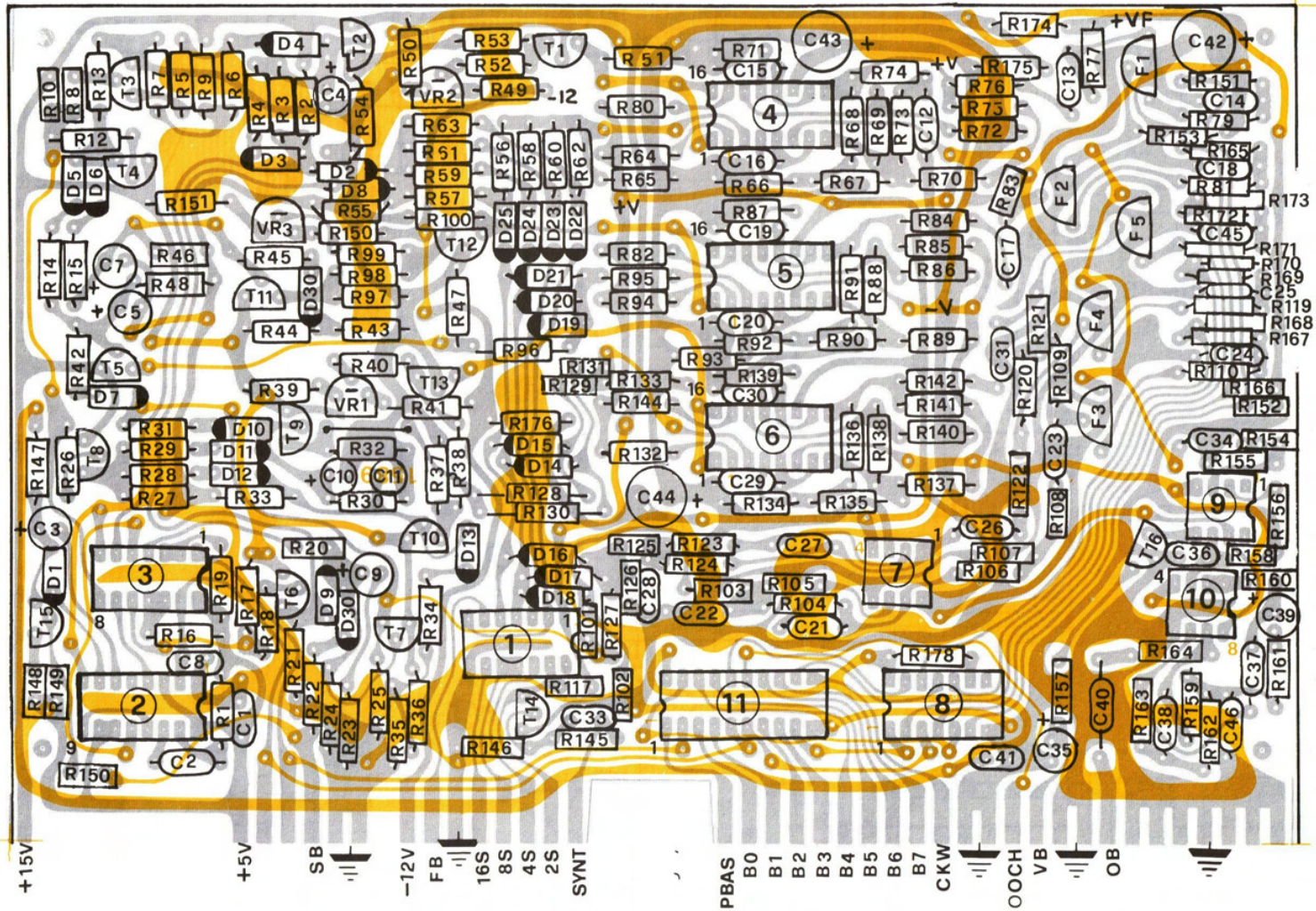


CODE		TYPE	MANUF.	CODE		TYPE	TRANSIST.
1-3-5-6	TL082			T1 - T3	PNP		BC4108
10-16-17	LM3060			T9 - T15	PNP		BC178C-230C
2-12-16	33000			T2, T10, T20, T24	NPN		BC177B-230B
4	10A9022			T4, T6, T10, T20	NPN		BC433 550-5480
7	4011			T21, T22, T28	NPN		1N-130
8	4013			T5, T10	NPN		BC433 550-5480
9-10	4018			T7, T9, T11, T14	NPN		1N1815
11	4011						
18	4051						
19-22	7406						
20-21	74LS377						

TLO82 PWR 4 - +V
 PWR 8 - -V1
 MUSEL: DIBUJ: **Concorde**
810-811 PRESETS
 Sheet N. 11
 Date: 8.11.84

410CST1589

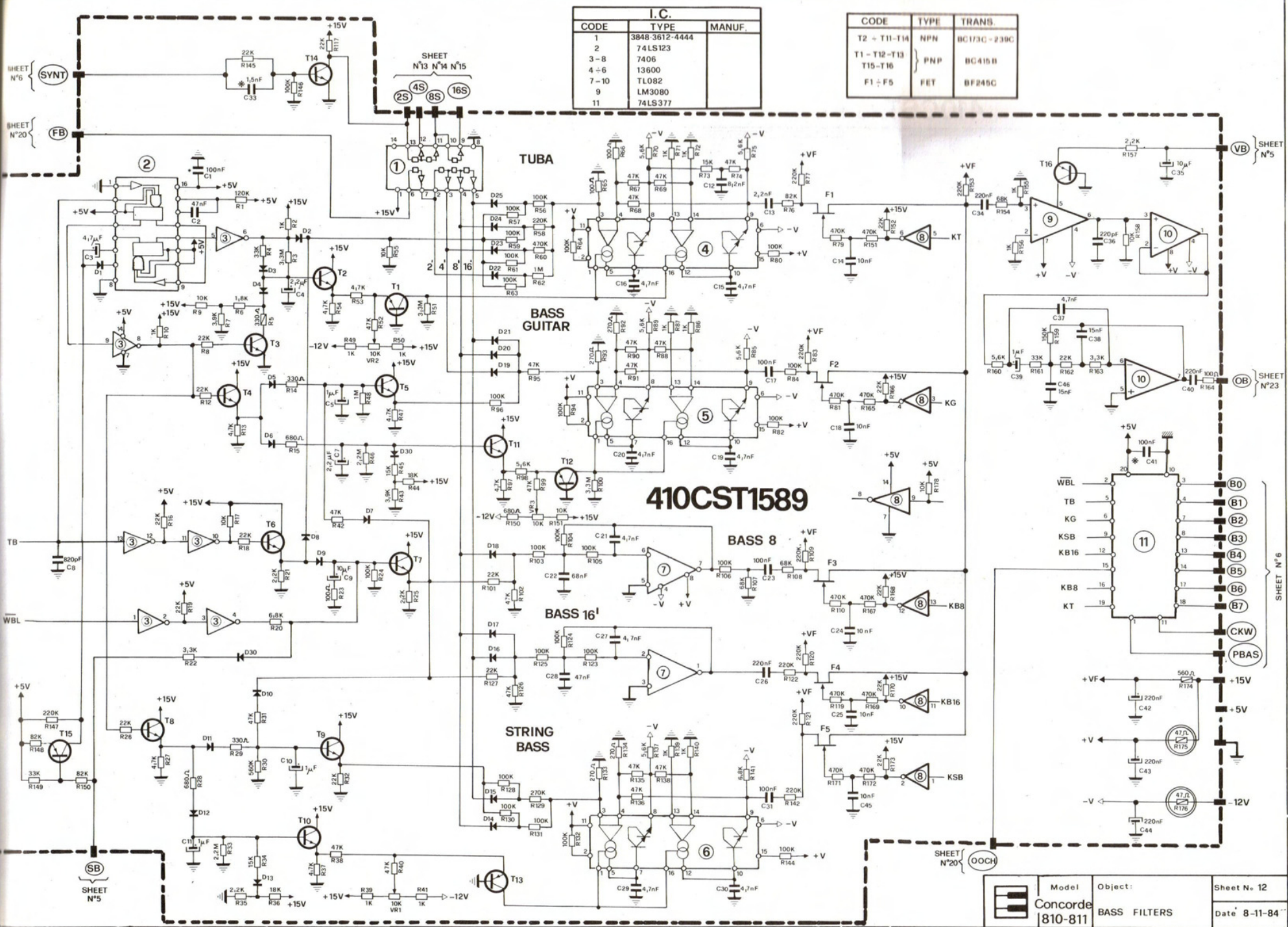
(477GR15890)



Model
Concorde
810-811

Sheet No.12a

Date 8 - 11 - 84



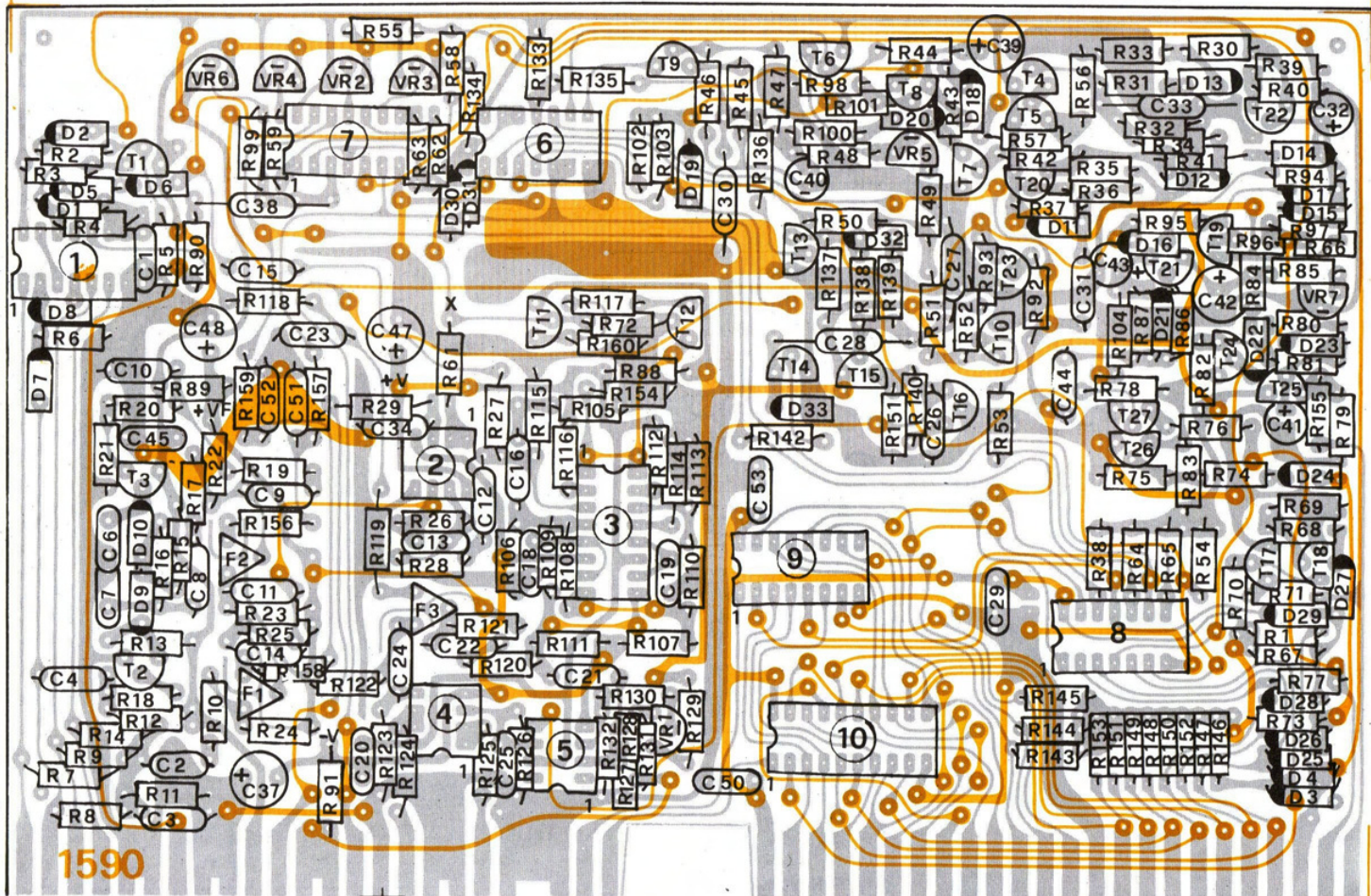
I.C.		
CODE	TYPE	MANUF.
1	3848 3612-4444	
2	74LS123	
3-8	7406	
4-6	13600	
7-10	TL082	
9	LM3080	
11	74LS377	

CODE	TYPE	TRANS.
T2 - T11-T14	NPN	BC173G-239C
T1 - T12-T13	PNP	BC415B
F1 - F5	FET	BF245C

410CST1589

410CST1590

(477GR15900)



16S

8S

4S

2S

MHA

+15V

CVCF

-12V

TSX

OD

OM

PSY2

PSV1

+5V

B0

B1

B2

B3

B4

B5

B6

B7

CKW

TRS

CNSO

KSX

KV

KPF

KC

KPF1

KO

KA

SGS

LFOS

LFOA

1590



Model
CONCORDE
810-811

Sheet No 13a

Date 8-11-84

SHEET No 14

16S
8S
4S
2S

SHEET No 15
CVCF

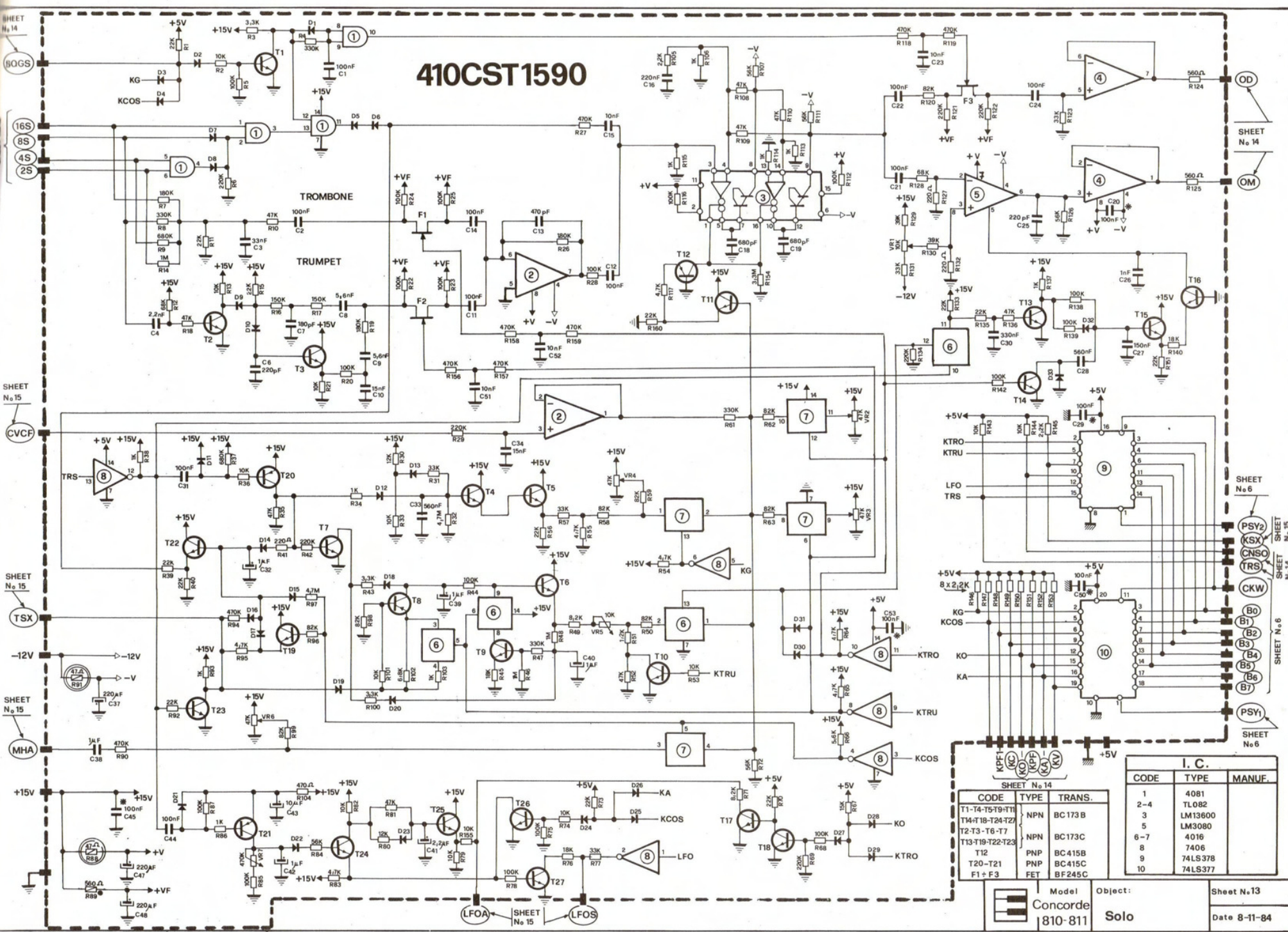
SHEET No 15
TSX

SHEET No 15
MHA

410CST1590

TROMBONE

TRUMPET



OD

SHEET No 14

OM

SHEET No 6

PSY2

KSX

CNSO

TRS

CKW

B0

B2

B3

B4

B5

B6

B7

PSY1

SHEET No 15

SHEET No 6

SHEET No 6

SHEET No 14

CODE	TYPE	TRANS.
T1-T4-T5-T9-T11		
T14-T18-T24-T21	NPN	BC173 B
T2-T3-T6-T7	NPN	BC173 C
T13-T19-T22-T23		
T12	PNP	BC415 B
T20-T21	PNP	BC415 C
F1 + F3	FET	BF245 C

CODE	TYPE	MANUF.
1	4081	
2-4	TL082	
3	LM13600	
5	LM3080	
6-7	4016	
8	7406	
9	74LS378	
10	74LS377	

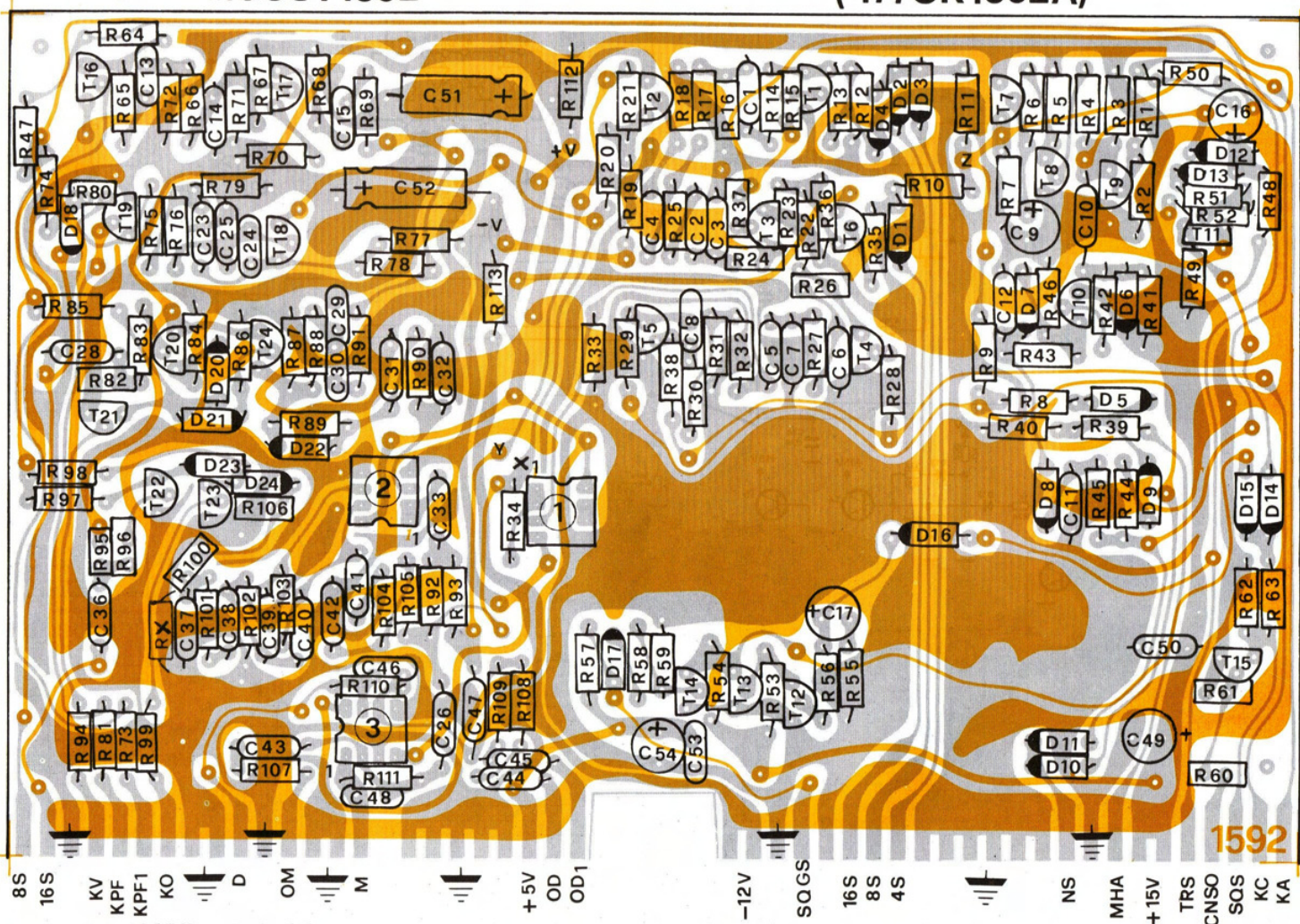
Model
Concorde
810-811

Object:
Solo

Sheet N.13
Date 8-11-84

410CST1592

(477GR1592A)



1592



Model
CONCORDE
810-811

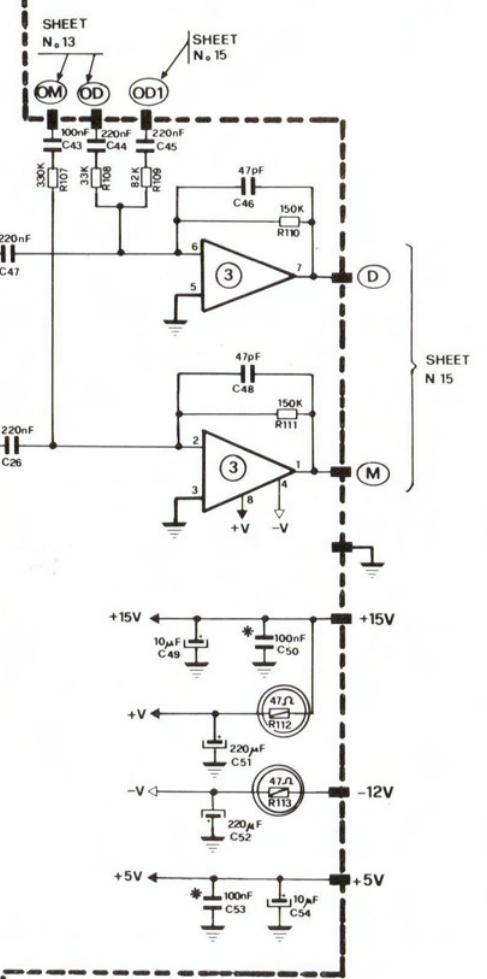
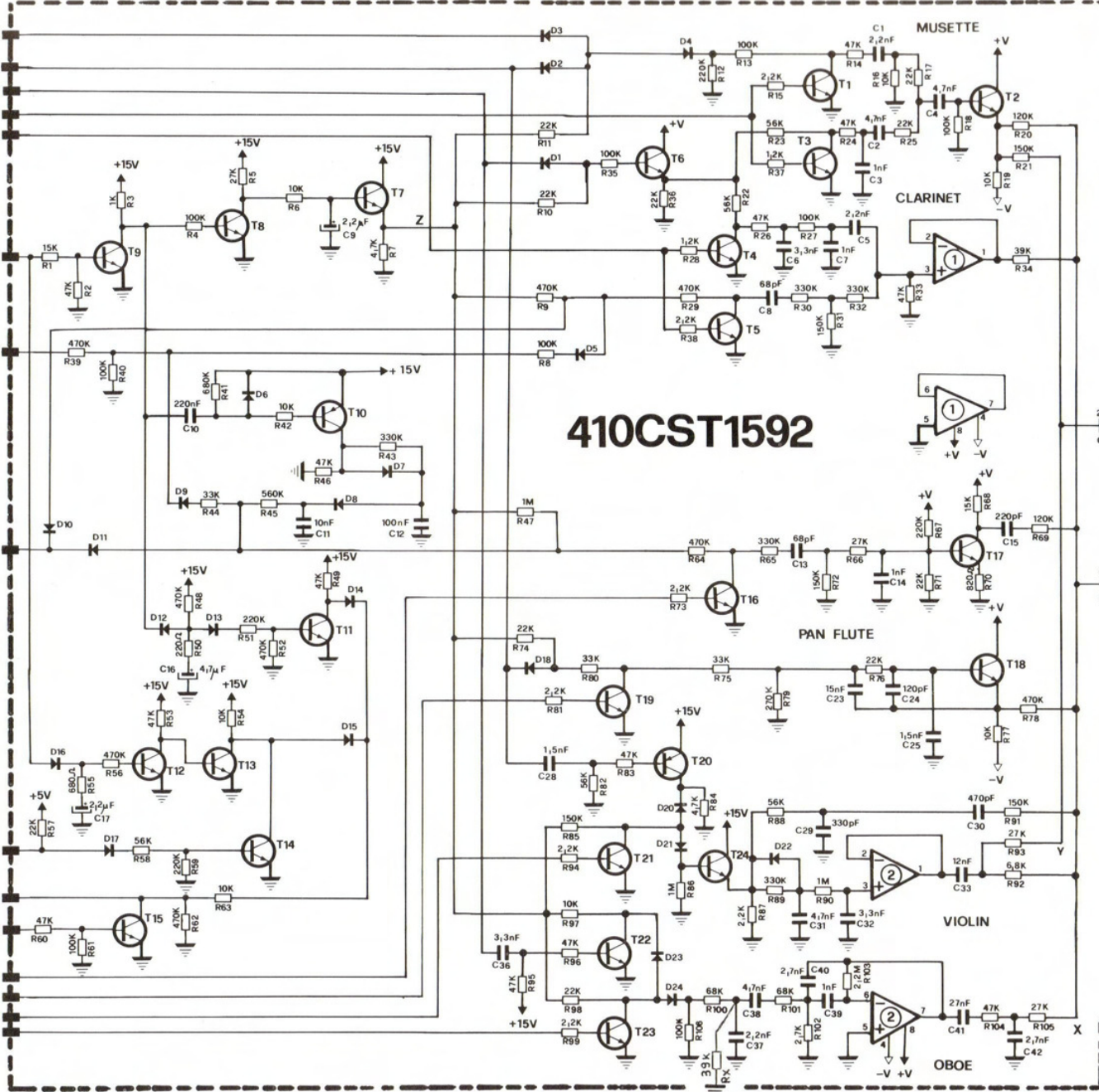
Sheet No 14a
Date 8 - 11 - 84

SHEET No. 12
 SHEET No. 13
 SHEET No. 15
 SHEET No. 18
 SHEET No. 13
 SHEET No. 15
 SHEET No. 13
 SHEET No. 13

I. C.	
CODE	TYPE
1-3	TL082

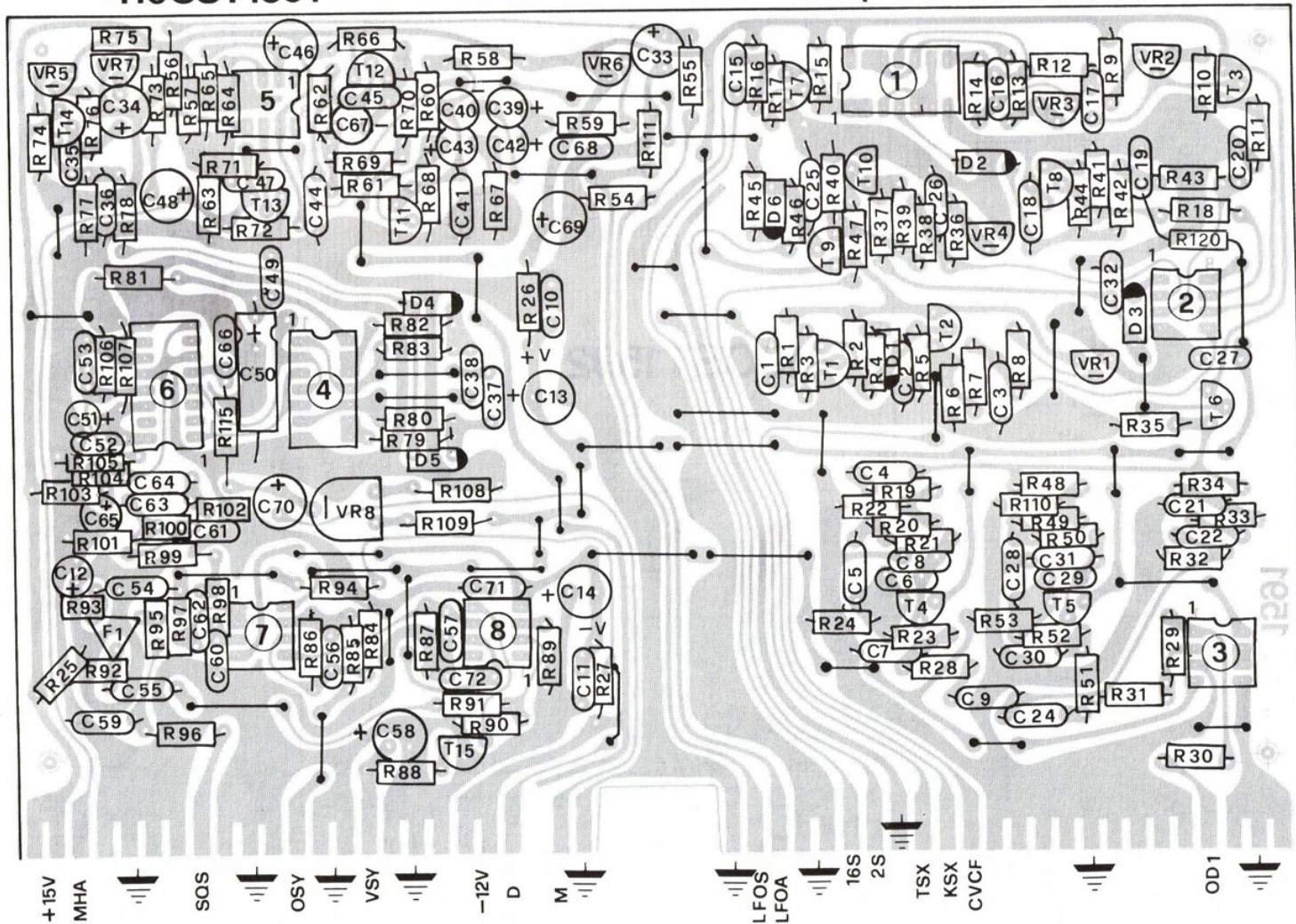
CODE	TYPE	TRANS.
T1-T5-T7	NPN	BC173C-239C
T9-T16-T19		
T21-T24	NPN	BC173B-239B
T6-T8-T11-T15		
T17-T18	NPN	BC413C-550C-549C
T10-T20		
	PNP	BC415B

410CST1592



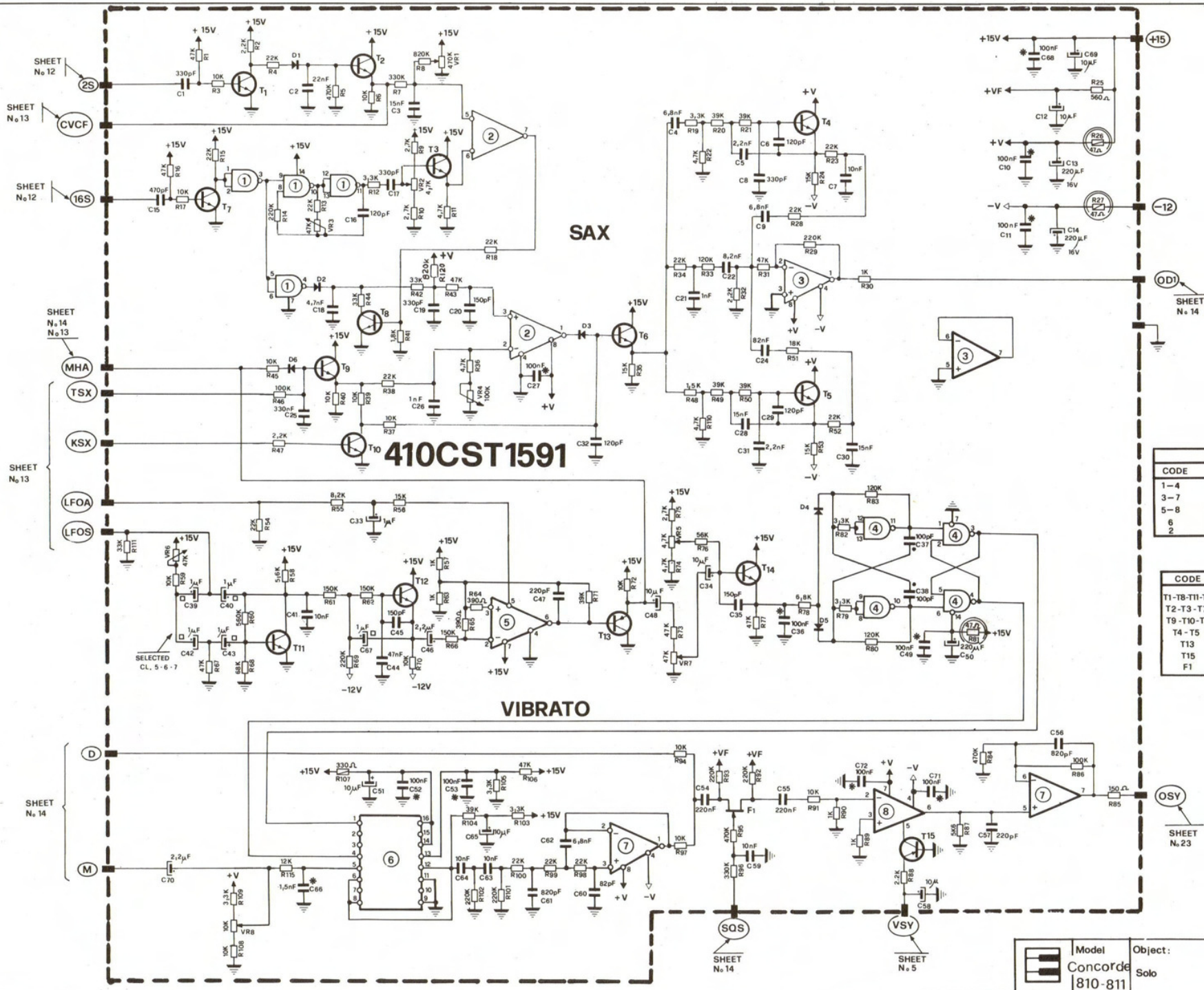
410CST1591

(477GR15910)



Model
CONCORDE
810-811

Sheet No.15a
Date 8-11-84

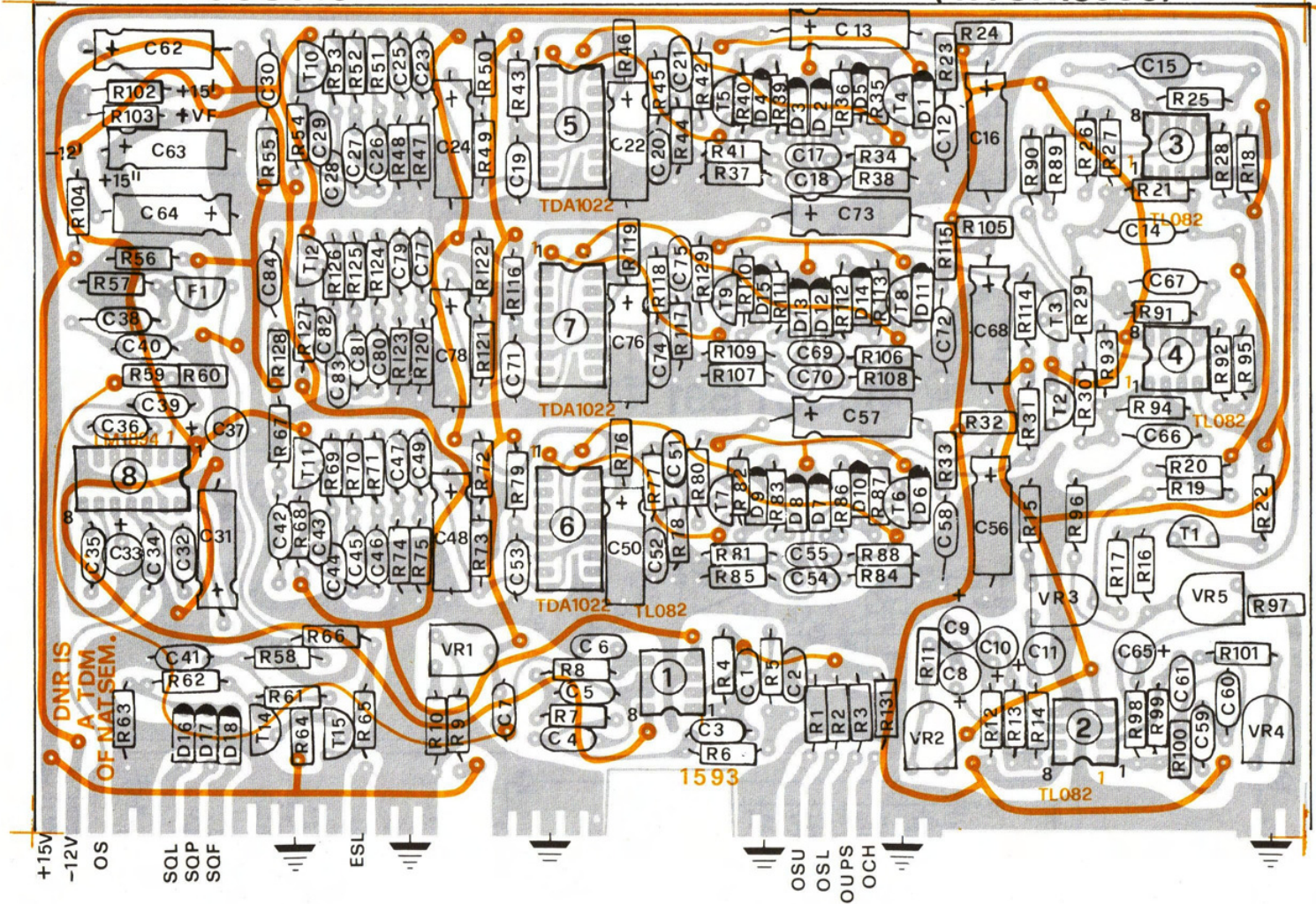


I.C.		
CODE	TYPE	MANUF.
1-4	4011	
3-7	TL082	
5-8	LM3080	
6	TDA1022	
2	LF353N	

CODE	TYPE	TRANSISTORS
T1-T8-T11-T12	NPN	BC173C-239C
T2-T3-T7	NPN	BC173B-239B
T9-T10-T14	NPN	BC413B-550B-549B
T4-T5	NPN	BC413B-550B-549B
T13	PNP	BC415C
T15	PNP	BC415B
F1	FET	BF245C

410CST1593

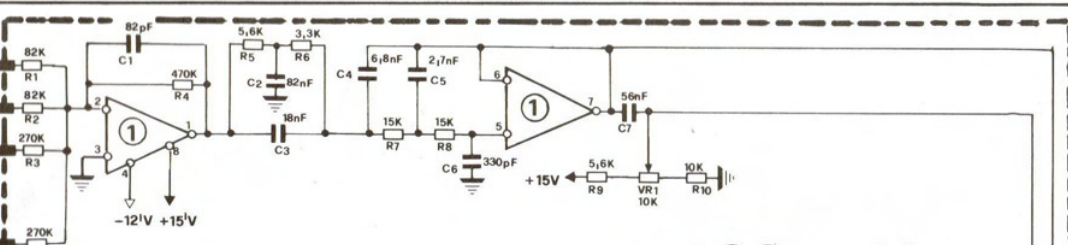
(477GR15930)



Model
CONCORDE
810-811

Sheet N 16a
Date 8-11-84

SHEET
No.11
OSU
OSL
OUPS
OCH
SHEET
No.20

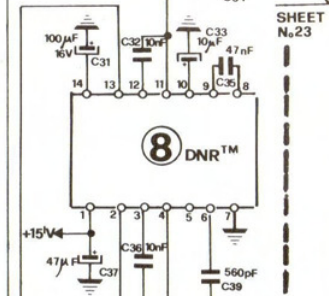
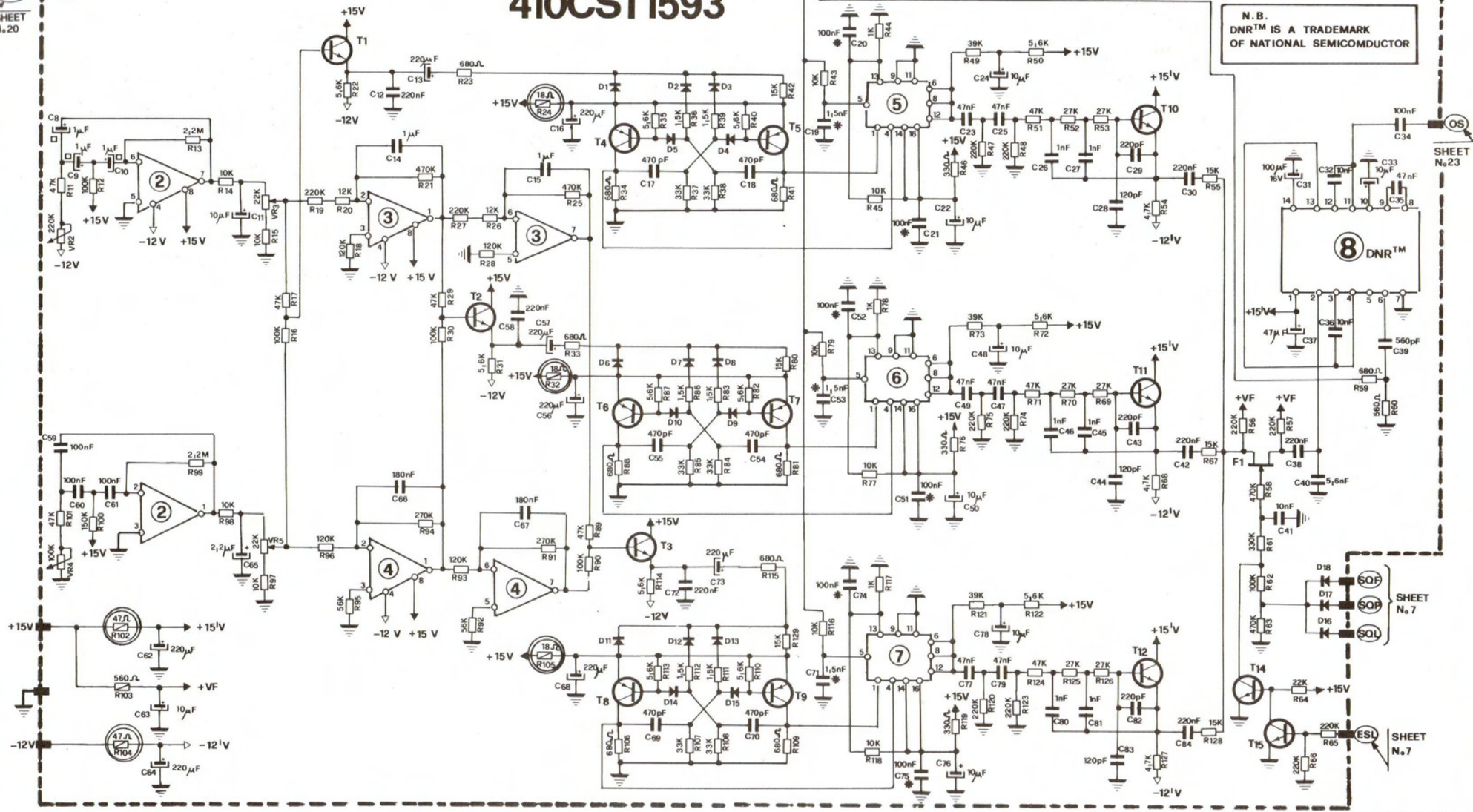


I. C.		
CODE	TYPE	MANUF.
1 ÷ 4	TL082	
5 ÷ 7	TDA1022	
8	LM 1894(DNR™)	NATIONAL

CODE	TYPE	TRANSISTORS
T1 ÷ T3	NPN	BC173C-239C
T14 - T15	NPN	BC173B-239B
T4 ÷ T9	PNP	BC 415 C
T10-T13	NPN	BC550C-413C-549C
F1	FET	BF 245

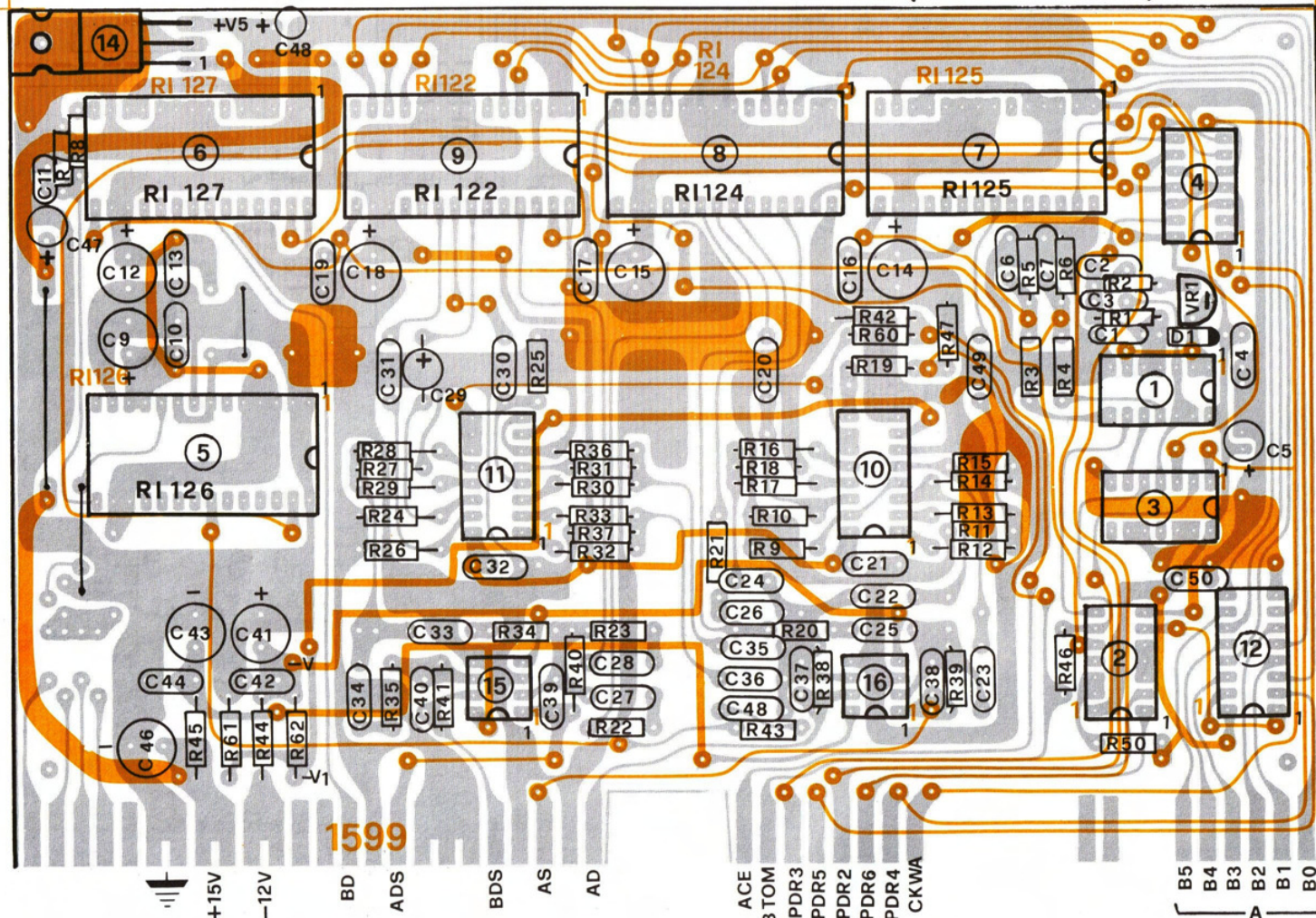
410CST1593

N.B.
DNR™ IS A TRADEMARK
OF NATIONAL SEMICONDUCTOR



410CST1599

(477GR15990)



1599

+15V
 -12V
 BD
 ADS
 BDS
 AS
 AD
 ACE
 BTOM
 PDR3
 PDR5
 PDR2
 PDR6
 PDR4
 CKWA
 B5
 B4
 B3
 B2
 B1
 B0
 A

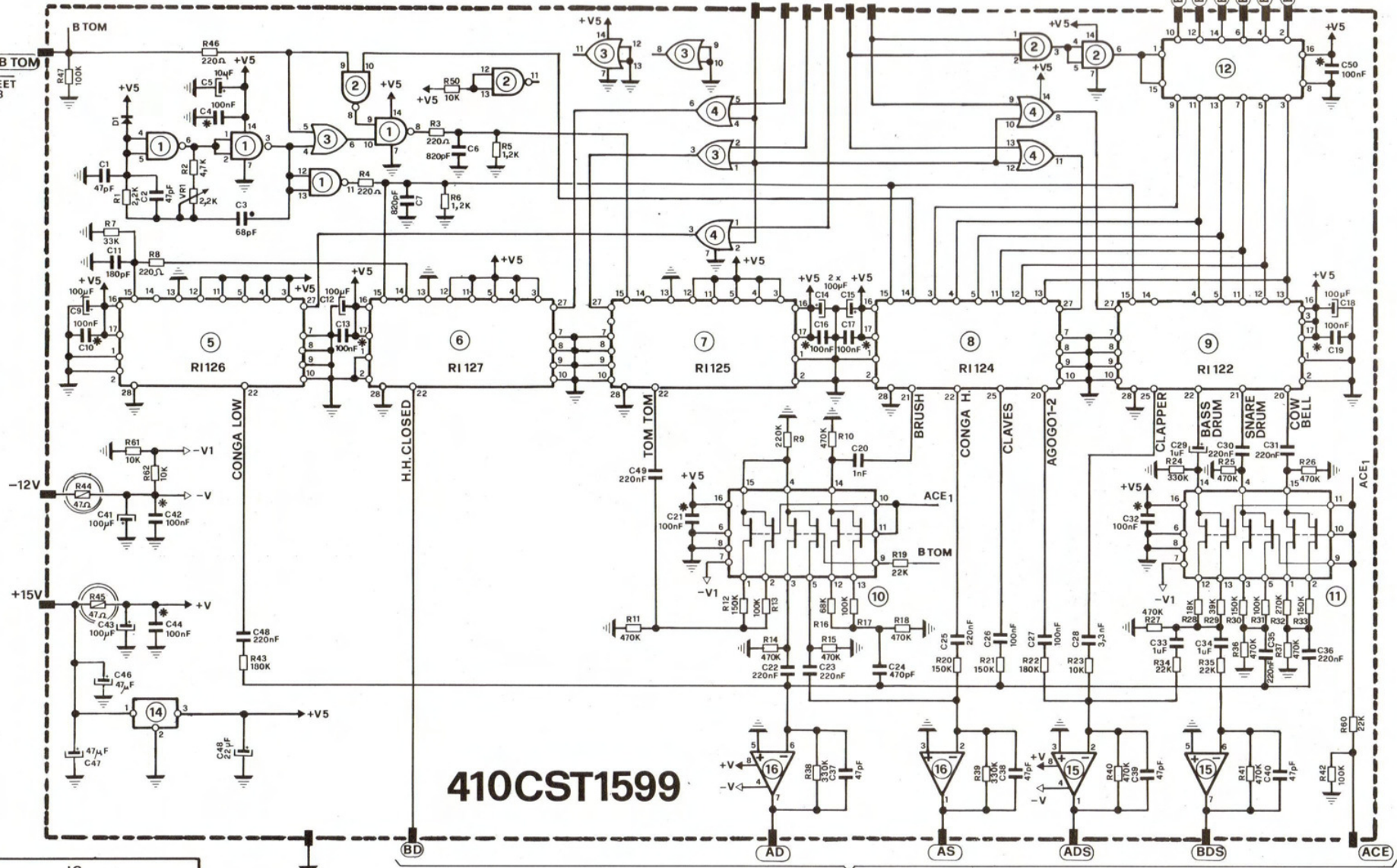


Model CONCORDE 810-811	Sheet No.17a Date 8-11-84
------------------------------	------------------------------

SHEET No 18

SHEET N°5
SHEET N°6

SHEET N°5



410CST1599

SHEET N°18

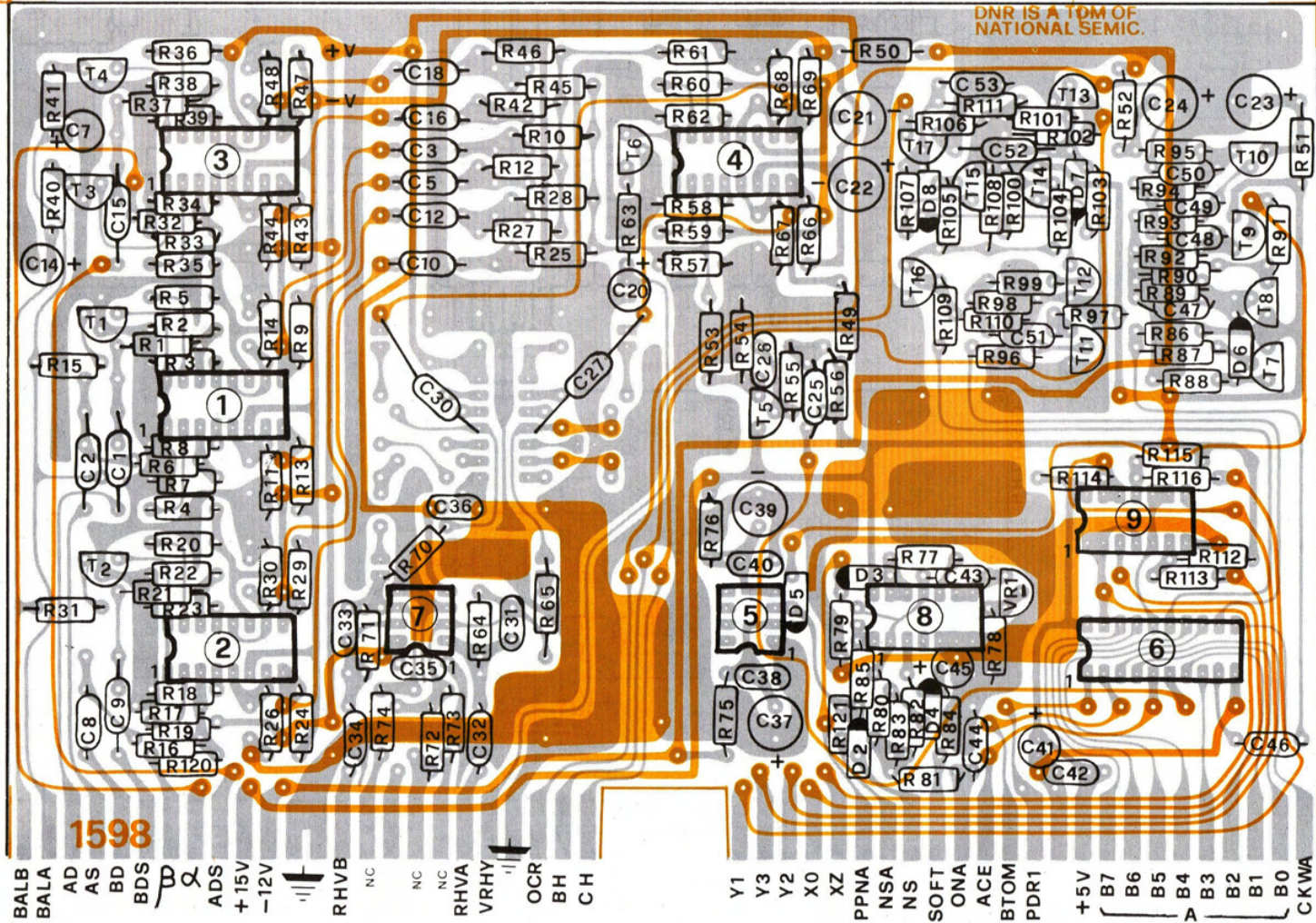
I.C.		
CODE	TYPE	MANUF.
1	74HC00	
2	74LS00	
3-4	74LS32	
12	74LS367	
5-7	3639	
10-11	4053	
14	7805C	
15-16	TL082	

	Model	Object:	Sheet No 17 Date 8-11-84
	Concorde RHYTHMS		
	810-811		

410CST1598

(477GR15980)

DNR IS A TOM OF NATIONAL SEMIC.



1598

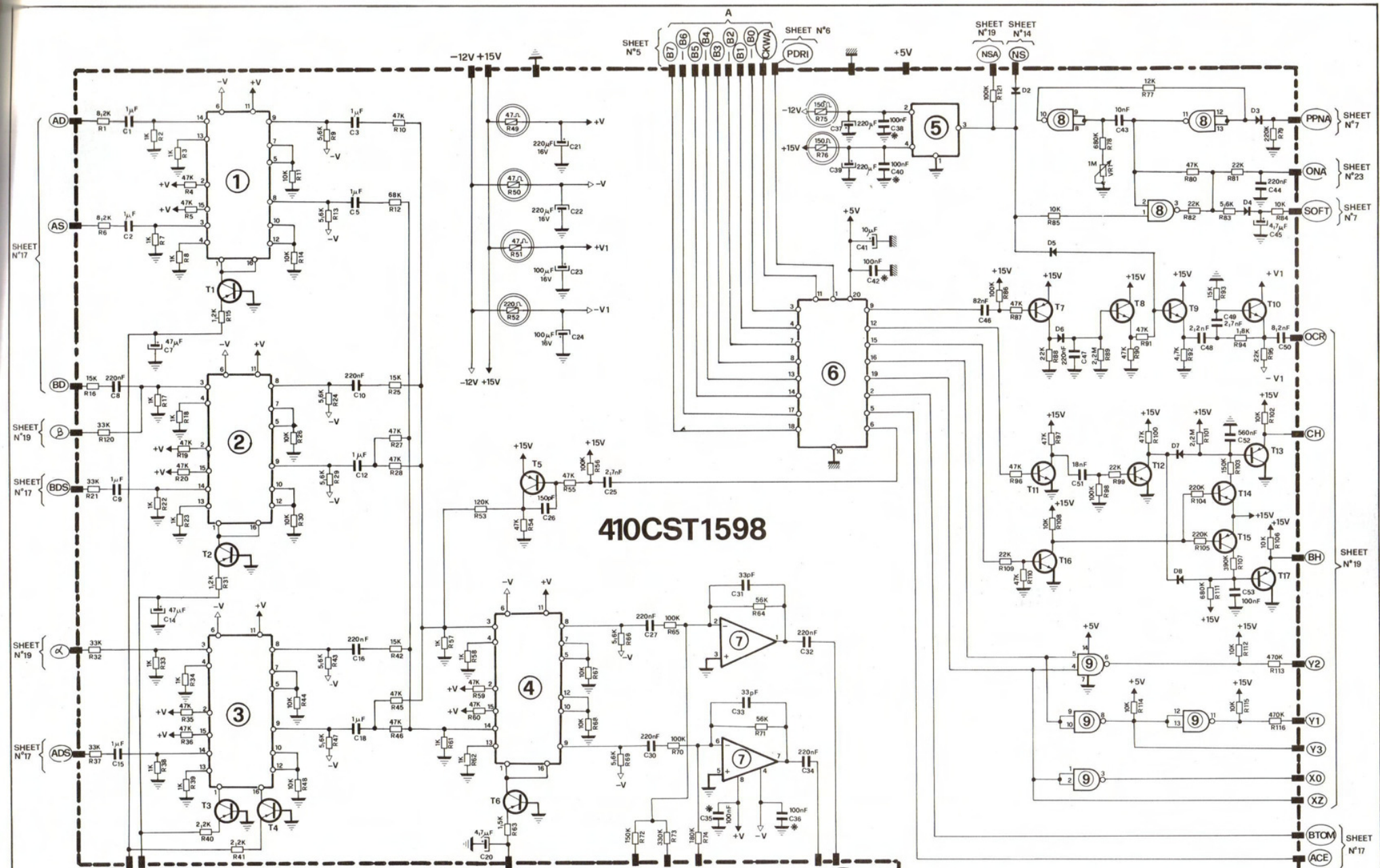
BALB
BALA
AD
AS
BD
BDS
D
ADS
+15V
-12V
RHVB
NC
NC
NC
RHVA
VRHY
OCR
BH
CH

Y1
Y3
Y2
X0
XZ
PPNA
NSA
NS
SOFT
ONA
ACE
BTOM
PDR1
+5V
B7
B6
B5
B4
B3
B2
B1
B0
CKWA



Model
CONCORDE
810-811

Sheet No. 18a
Date 8-11-84



410CST1598

I.C.		
CODE	TYPE	MANUF.
1-4	13600	
5	5837N	
6	74LS377	
7	TL082	
8	CD4011	
9	74LS26	

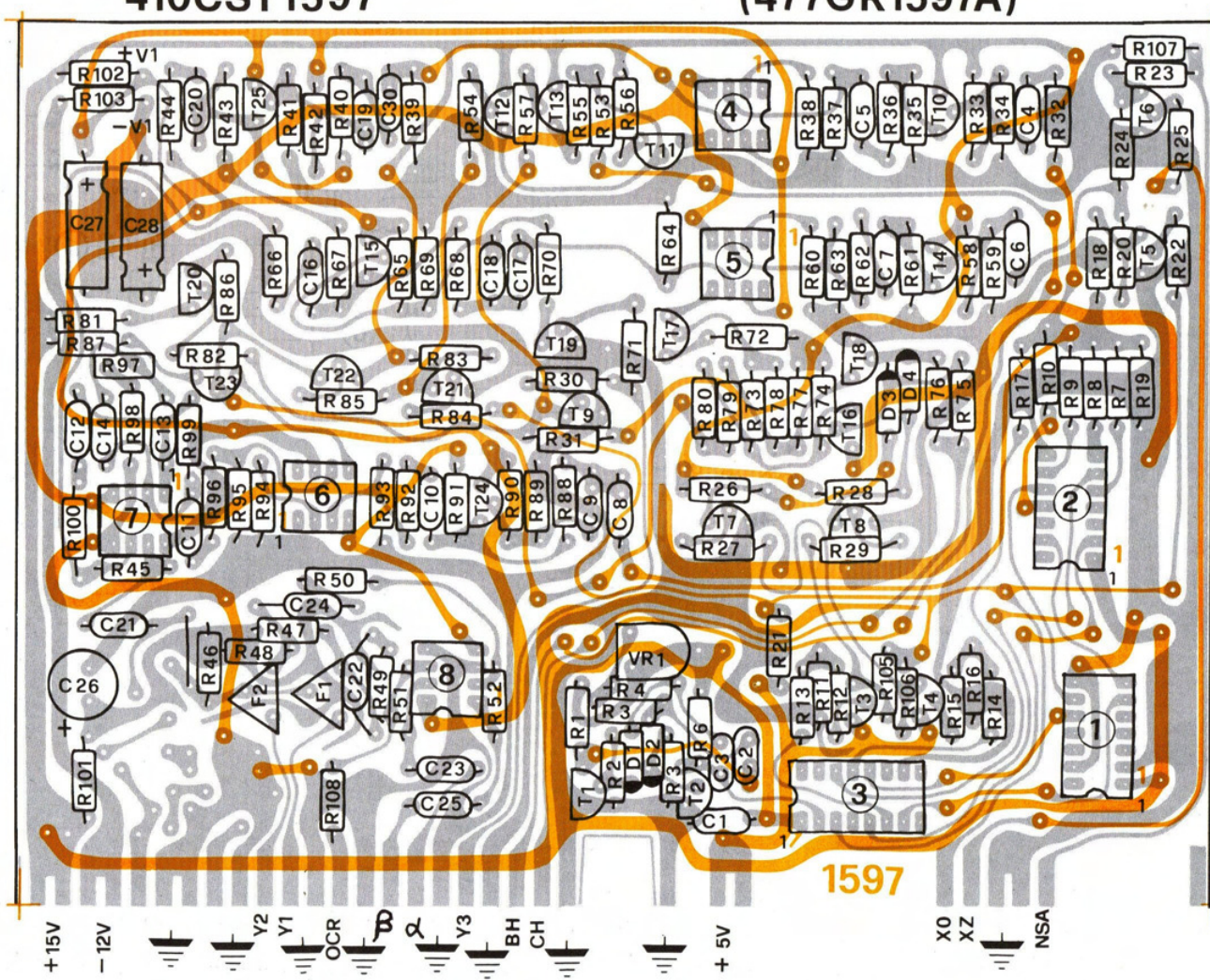
TRANS.		
CODE	TYPE	TRANS.
T1 - T7	PNP	BC415B
T13 - T15		
T17		
T8 - T10 - T12	NPN	BC173C-239C
T11 - T16		

VRHY
SHEET N°5

RHVB RHVA
SHEET N°23

410CST1597

(477GR1597A)



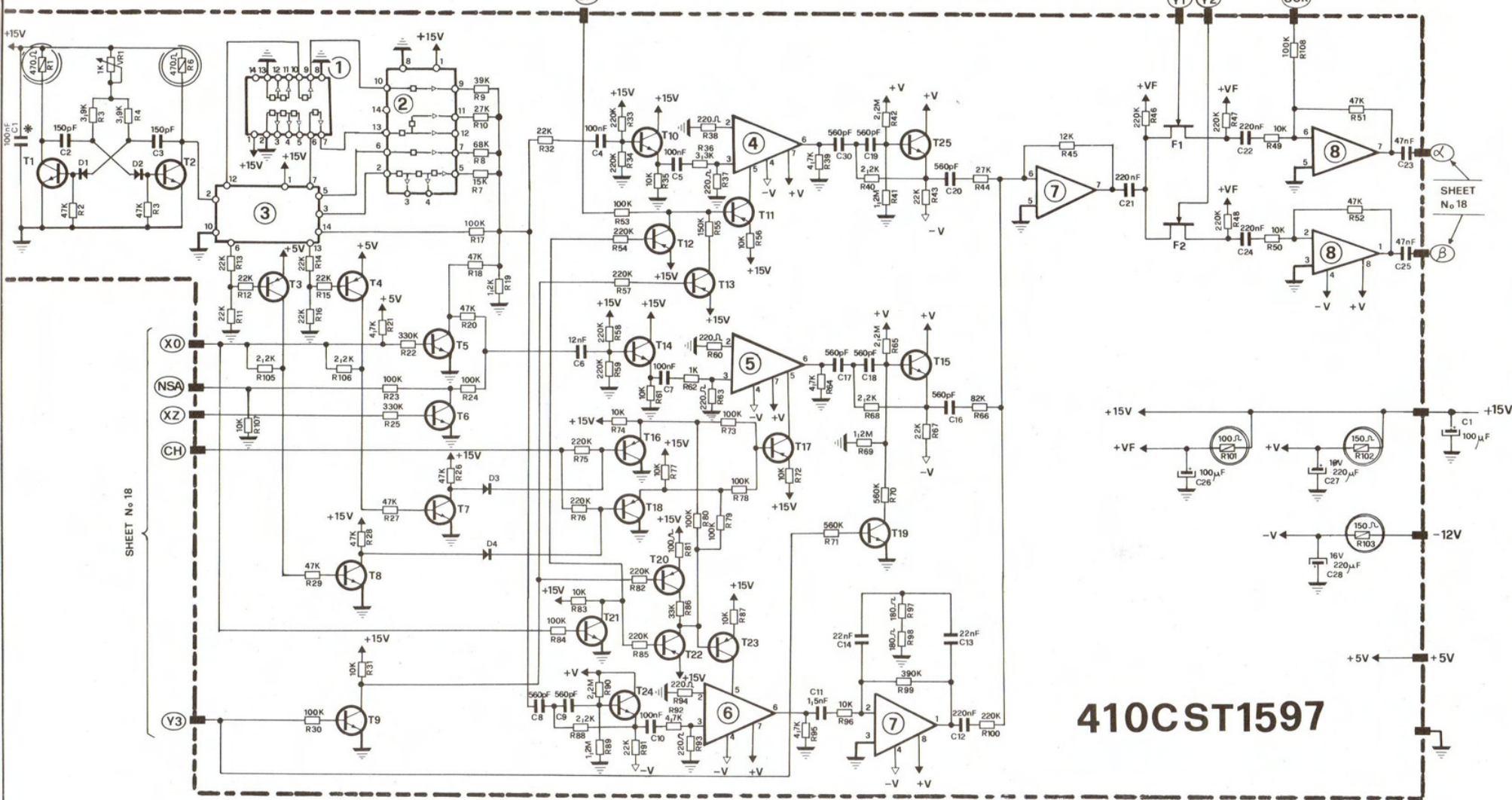
1597



Model CONCORDE 810-811	Sheet No.19a Date 8-11-84
------------------------------	------------------------------

SHEET
No 18

SHEET
No 18



410CST1597

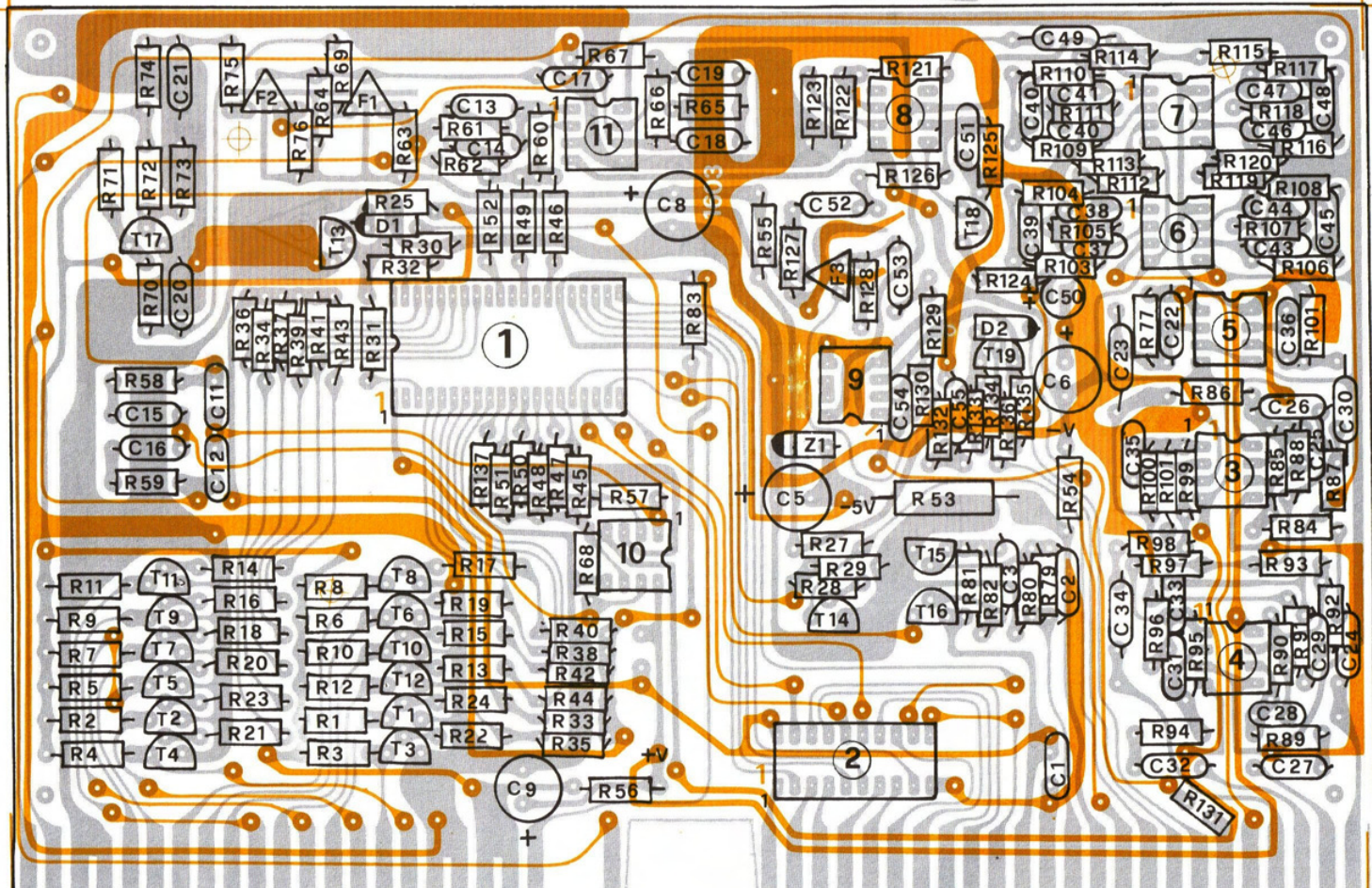
I. C.		
CODE	TYPE	MANUF.
1 - 2	4444 - 3848 TMS3612	
3	MO86AB1	
4-5-6	LM3080	
7-8	TL082	

CODE	TYPE	TRANSISTORS
T3-T4 - T11-T12-T13	} NPN	BC415B
T16-T17 - T18 - T20		BC415B
T22-T23		BC415B
T1 - T2	NPN	BSX 26
T5-T10-T14-T19-T21	NPN	BC173B
T15 - T25	NPN	BC413C-550C-549C
T24	NPN	BC173C-239C
F1 - F2	FET	BC245C

	Model	Object:	Sheet No 19
	810-811	CYMBALS	Date 8-11-84

410CST1603

(477GR16030)



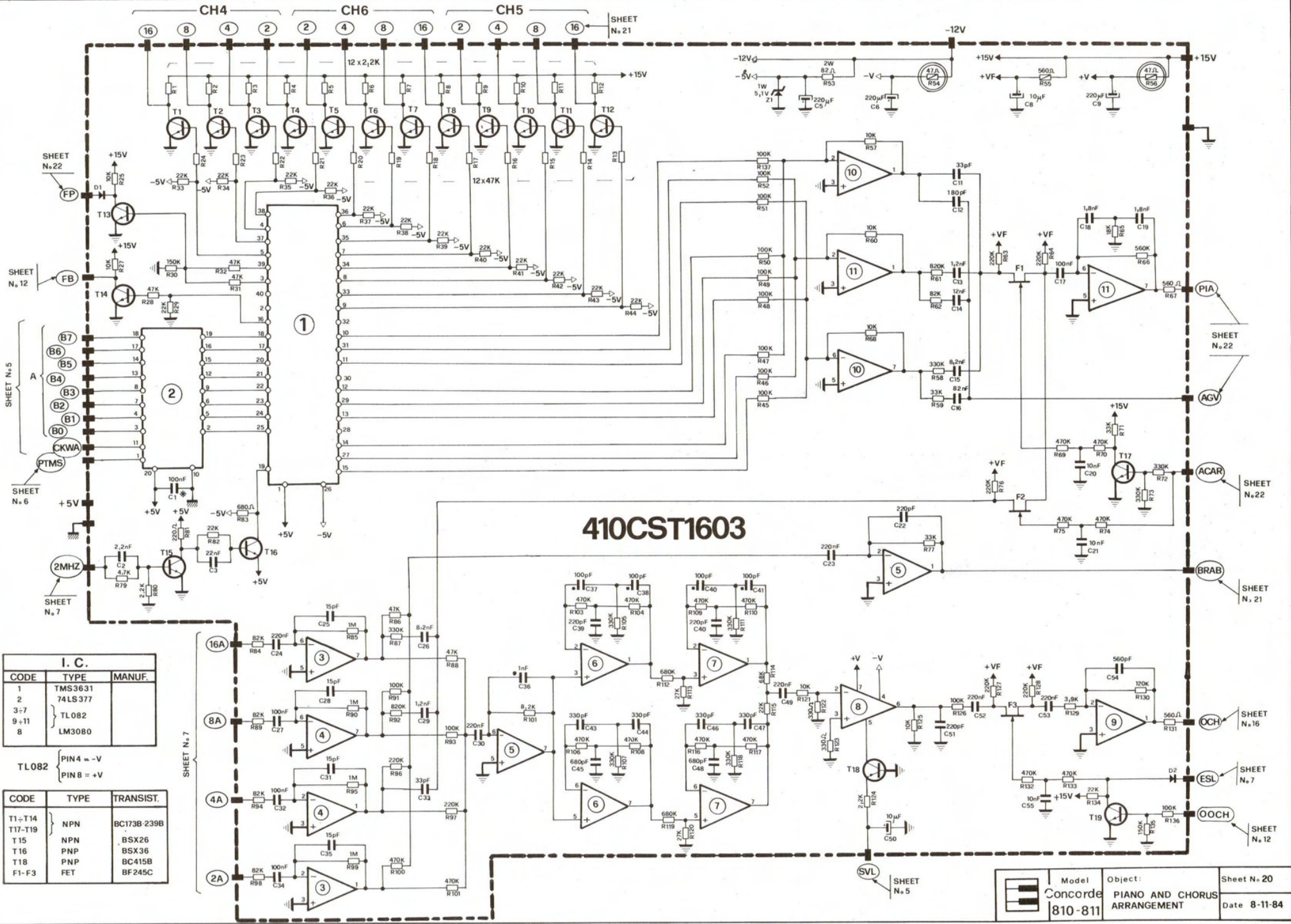
PIA
AGV
CH6
CH5
CH4
+15V FP
ACAR

PTMS
B0
B1
B2
B3
B4
B5
B6
B7
CKWA
+5V
2MHZ
-12V
ESL
FB
OCH
SVL
OCH
BRAB
2A
4A
8A
16A



Model
CONCORDE
810-811

Sheet No.20a
Date 8-11-84

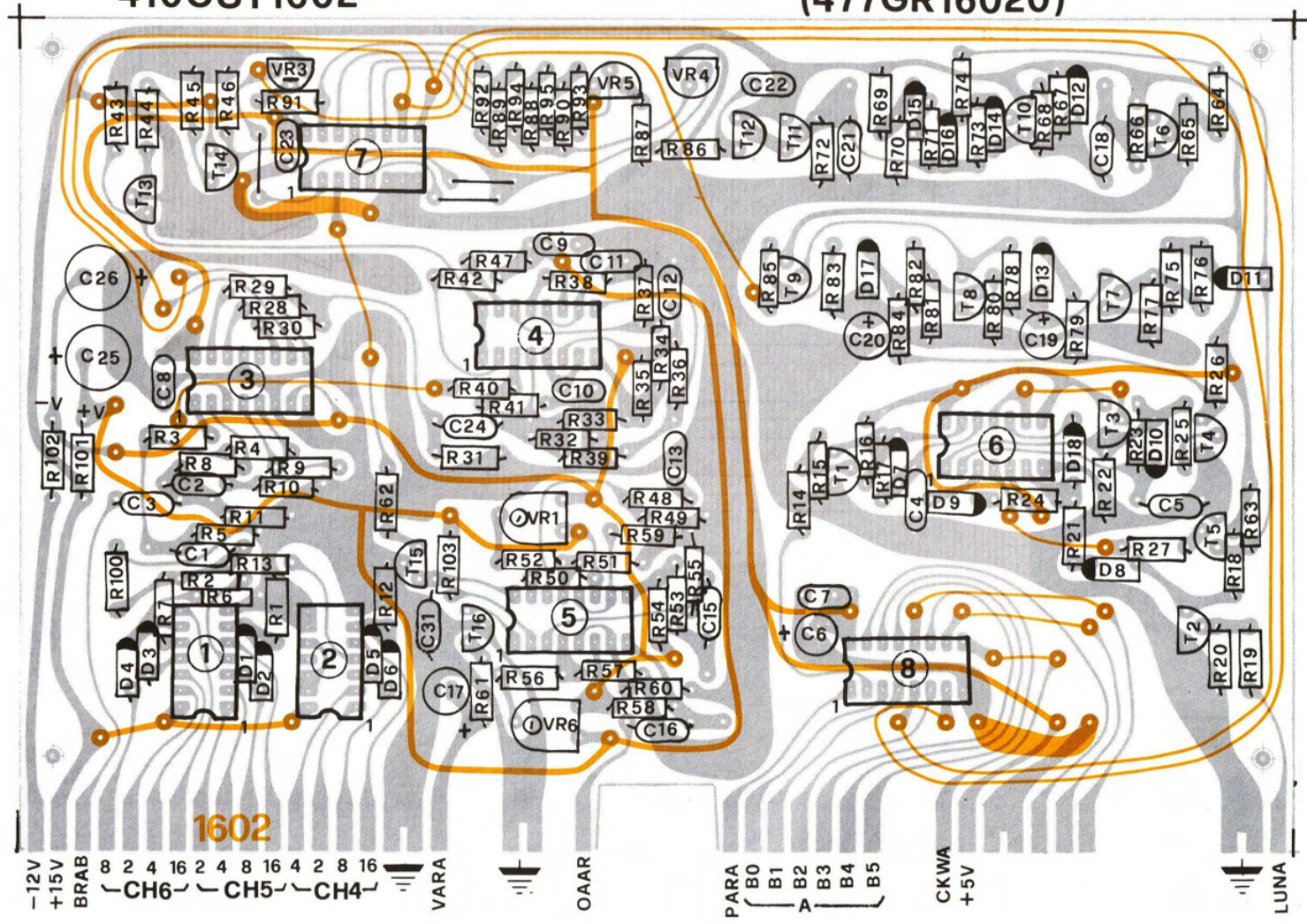


I. C.		
CODE	TYPE	MANUF.
1	TMS3631	
2	74LS377	
3-7	TL082	
9-11		LM3080

TL082		
PIN 4 = -V		
PIN 8 = +V		
CODE	TYPE	TRANSIST.
T1-T14	NPN	BC173B-239B
T17-T19		
T15	NPN	BSX26
T16	PNP	BSX36
T18	PNP	BC415B
F1-F3	FET	BF245C

410CST1602

(477GR16020)



1602

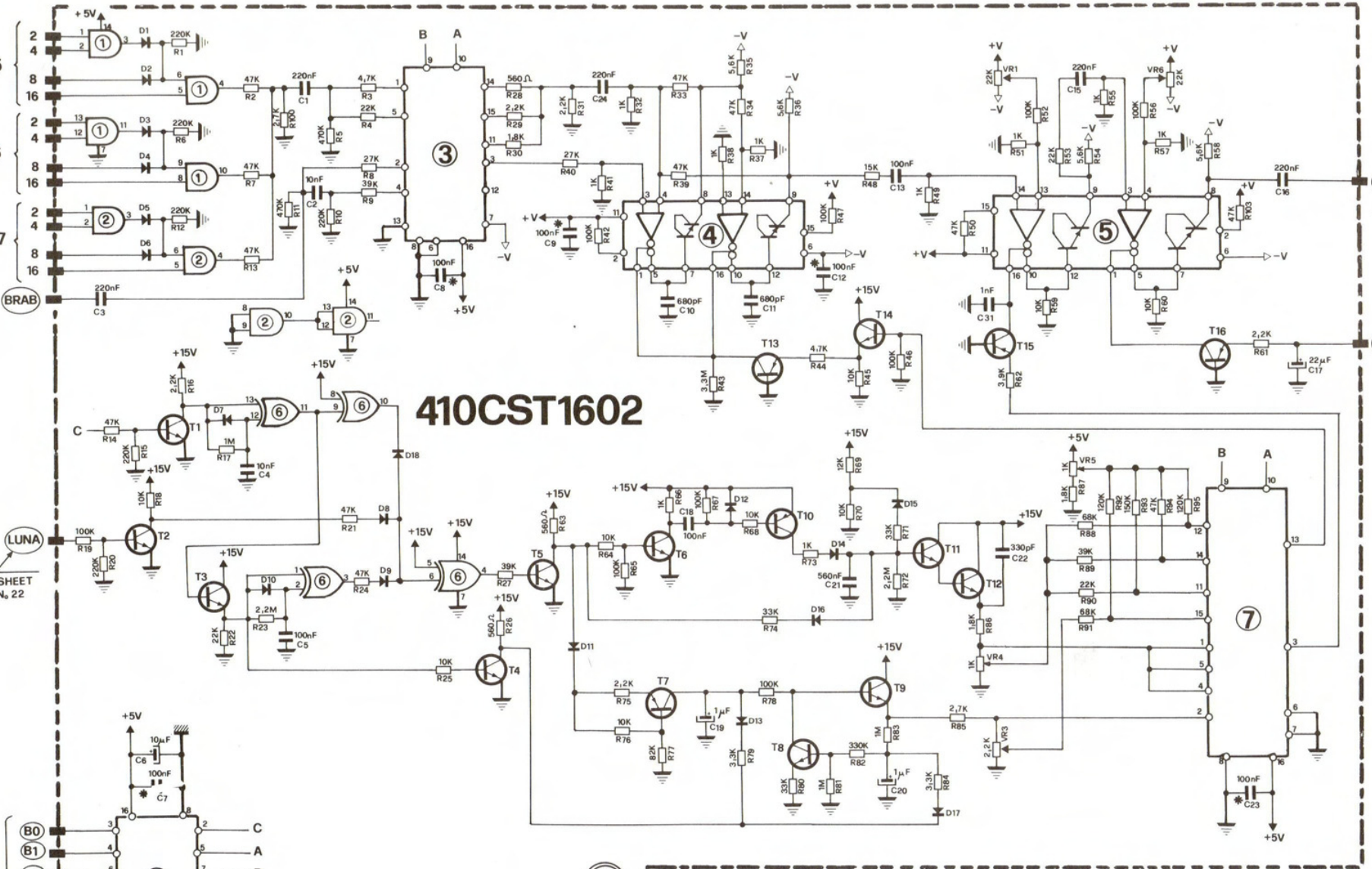


Model CONCORDE 810-811	Sheet No.21a
	Date 8 • 11 • 84

CH5

CH6

CH7



410CST1602

LUNA
SHEET N. 22

QAAR
SHEET N. 23

VARA
SHEET N. 5

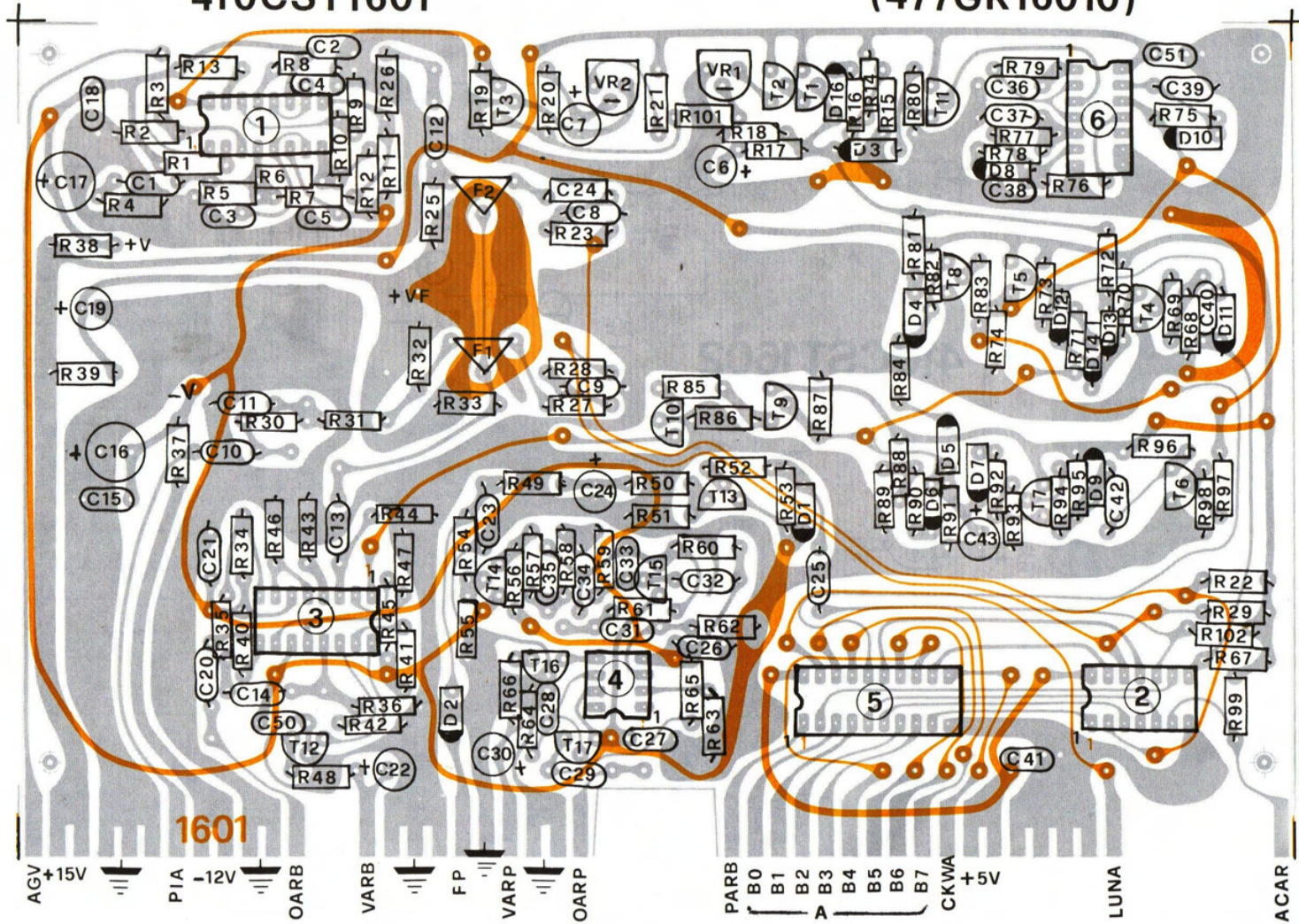
CKWA
PARA
SHEET N. 5
SHEET N. 6

CODE	I.C. TYPE	MANUF.
1 - 2	4081	
3 - 7	4052	
4 - 5	LM13600	
6	CD4030	
8	74LS378	

CODE	TYPE	MANUF.
T1-T3-T5-T8	NPN	BC173C-239C
T2-T6-T9-T11	NPN	BC173B-239B
T12-T14	PNP	BC415B
T7-T10-T13		
T15-T16		

410CST1601

(477GR16010)



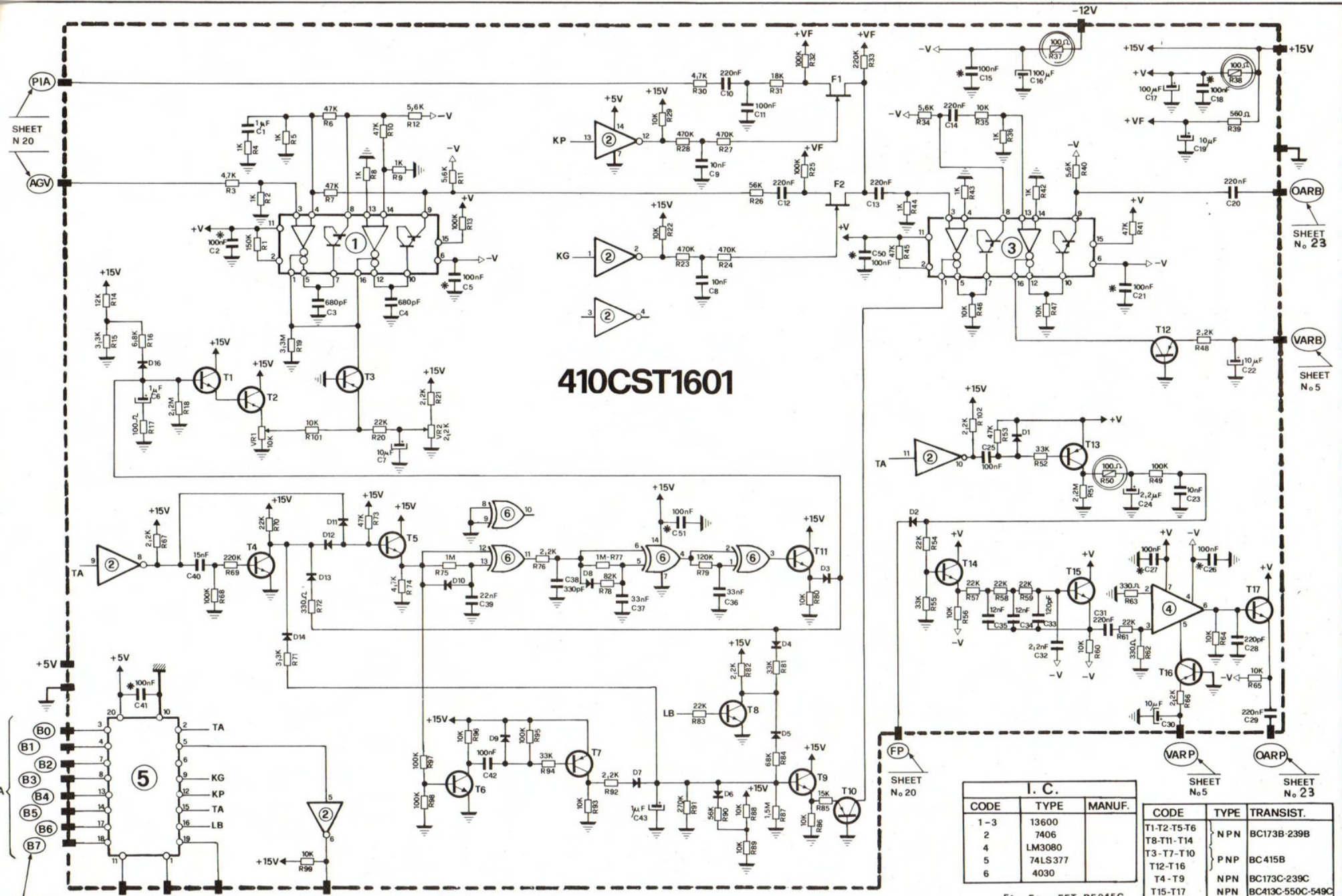
1601



Model
CONCORDE
810-811

Sheet No. 22a
Date 8-11-84

410CST1601



I. C.		
CODE	TYPE	MANUF.
1-3	13600	
2	7406	
4	LM3080	
5	74LS377	
6	4030	

TRANSIST.		
CODE	TYPE	TRANSIST.
T1-T2-T5-T6	NPN	BC173B-239B
T8-T11-T14		
T3-T7-T10		
T12-T16		
T4-T9	PNP	BC415B
T15-T17		
T13	NPN	BC173C-239C
	NPN	BC413C-550C-549C
	PNP	BC415C

F1 - F2 = FET BF245C

	Model	Object:	Sheet No. 22
	810-811	ARRANGIO and ARPEGGIO	Date 8-11-84

SHEET No 5
SHEET No 6
SHEET No 21
SHEET No 20

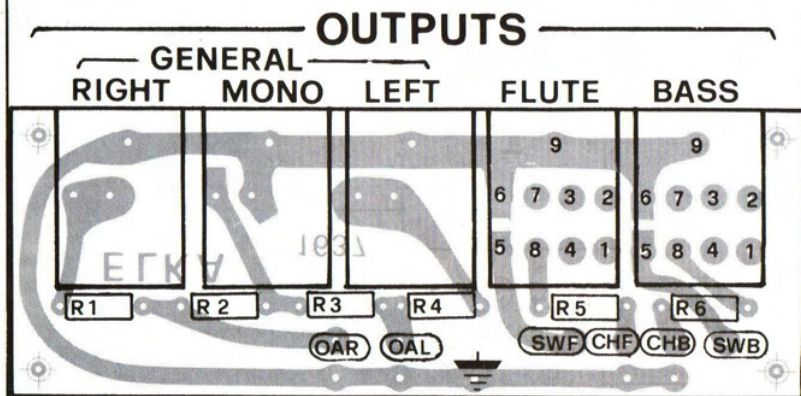
SHEET No 20

SHEET No 5

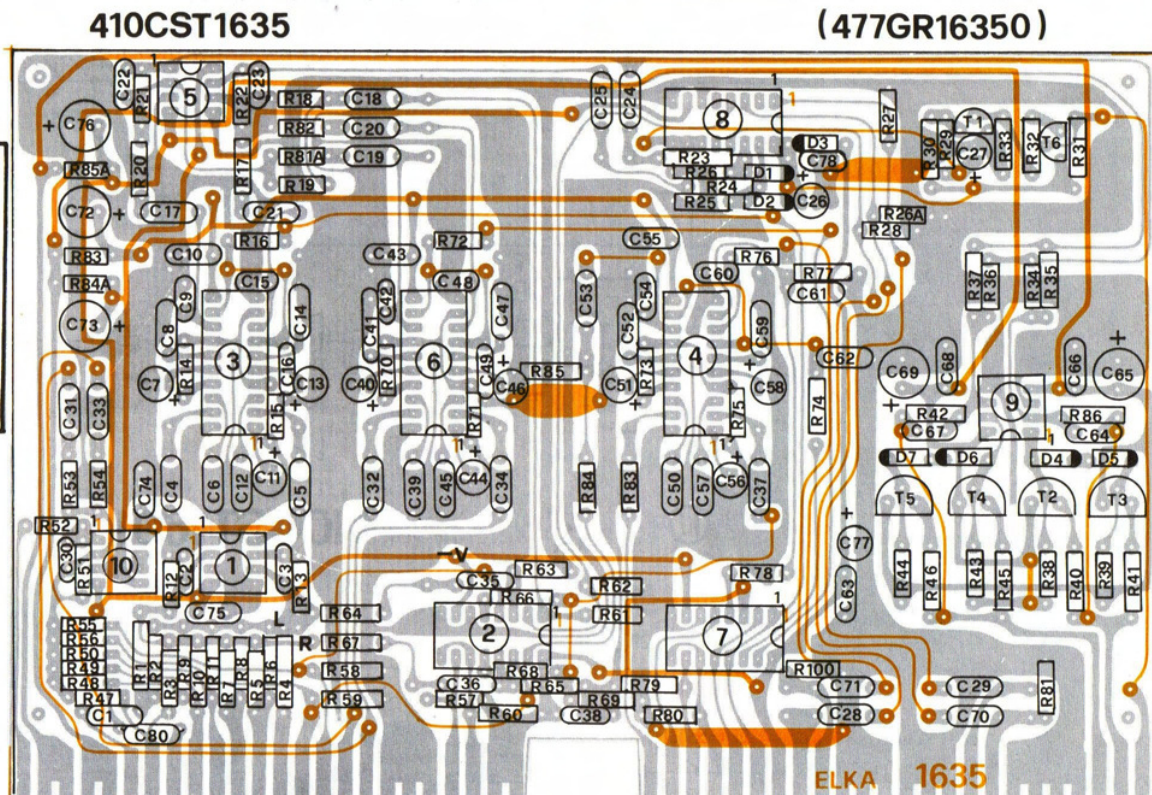
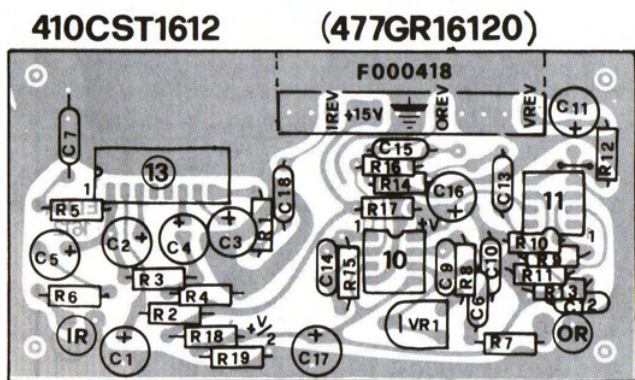
SHEET No 23

SHEET No 23

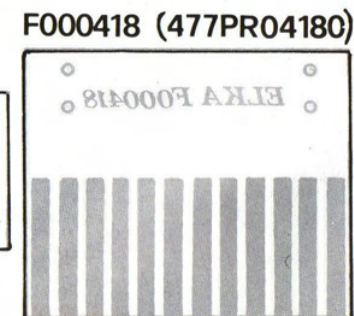
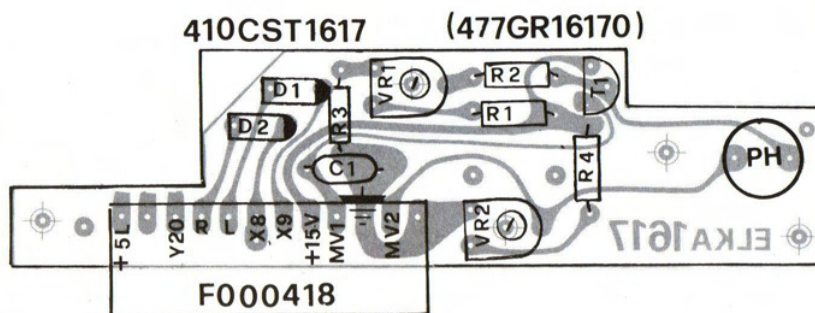
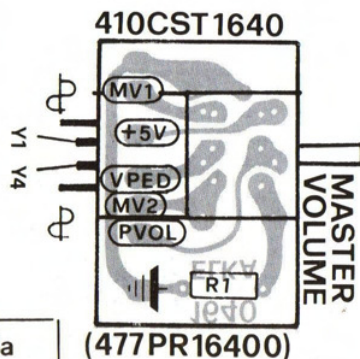
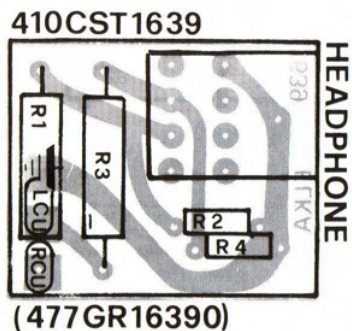
SHEET No 5



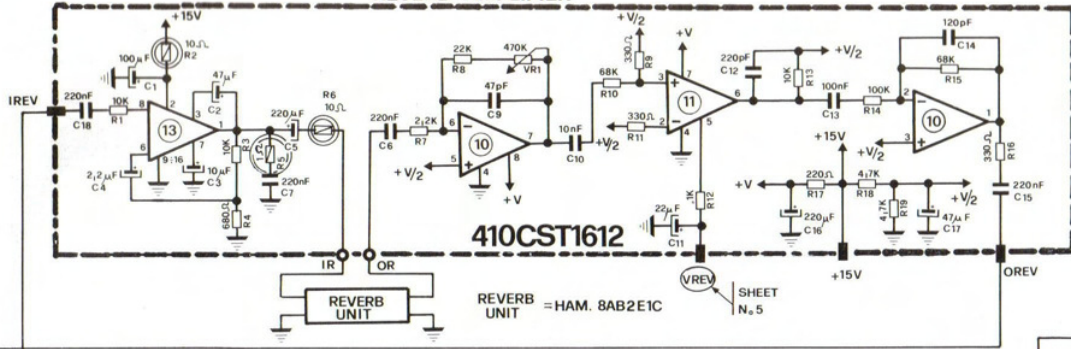
410CST1637 (477GR16370)



- | | |
|----------------------------------------------------------------------------------------------------------------------|---------------------------------------------------------------------------------------------------|
| I REV
-12V
+15V
ONA
OUP
OSY
OAR
OS
O REV
OAR
OPHL
RHVB
RHVA
SWB
SWF
+5V | OB
MV1
RHY
BASS
P VOL
V PED
+5V
OAR
CHF
OAL
CHB
LCU
RCU
RL |
|----------------------------------------------------------------------------------------------------------------------|---------------------------------------------------------------------------------------------------|



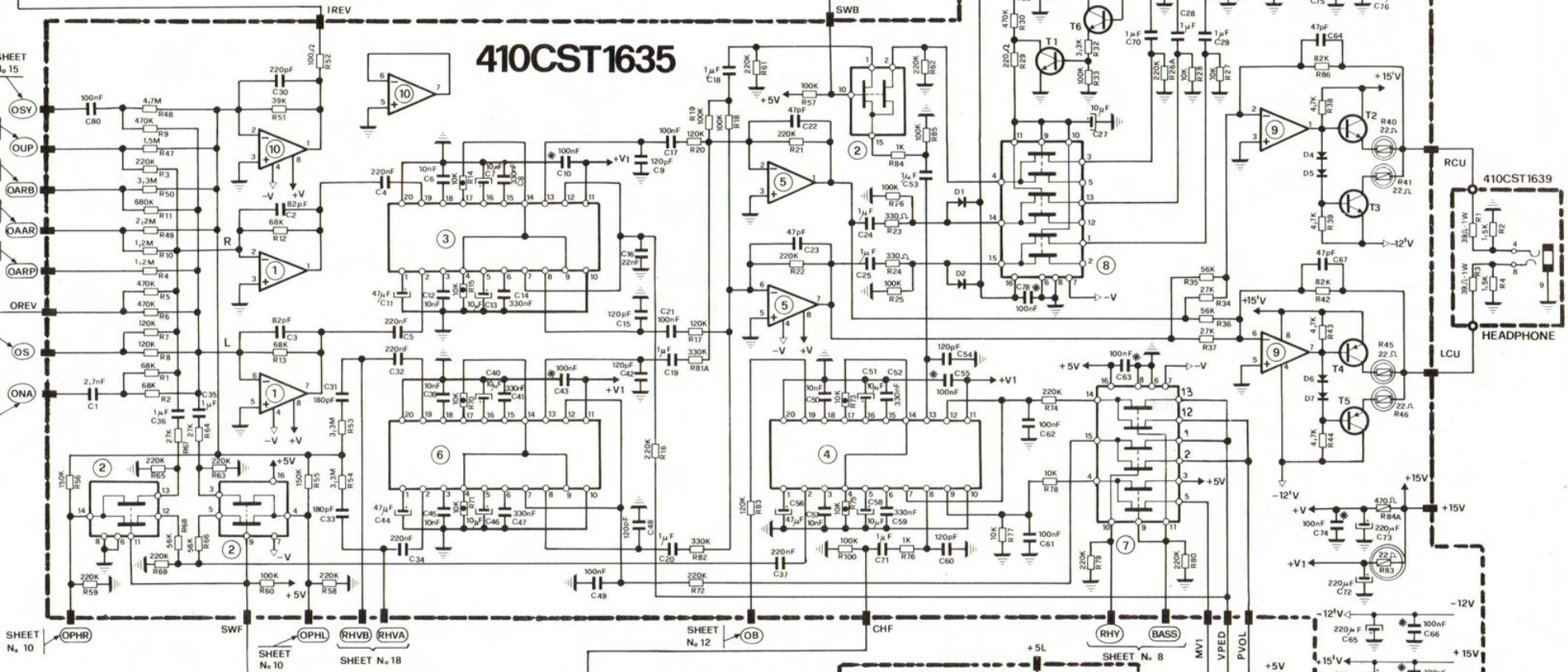
REVERB AMPLIFIER



410CST1612

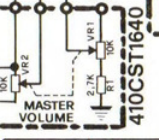
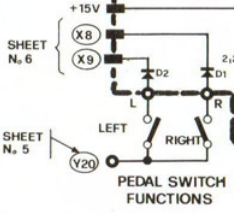
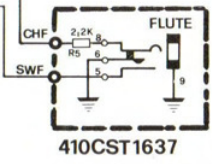
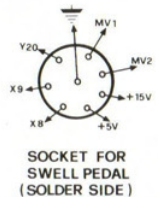
REVERB UNIT = HAM. 8AB2E1C

410CST1635

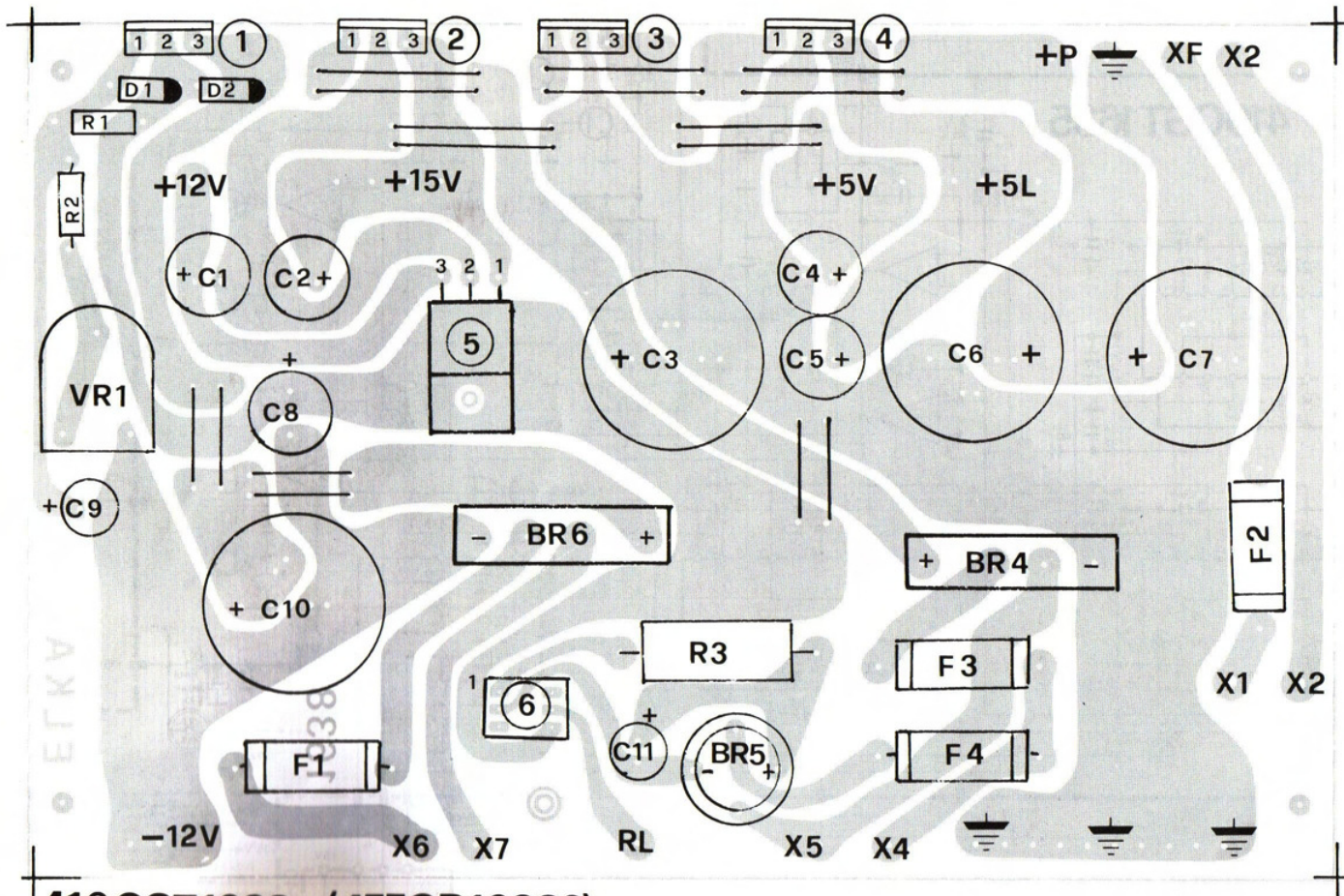
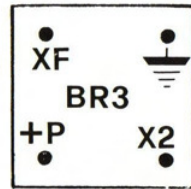


CODE	IC	TYPE
1-5-9-10	TL082	
3-4-6	LM1036	
2-7-8	4053	
11	LM3080	
13	TDA1904	

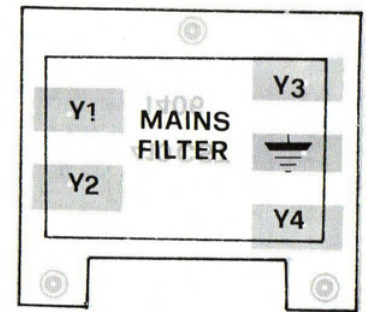
CODE	TYPE	TRANS.
T1-T6	NPN	BC173C
T2-T4	NPN	BC286
T3-T5	PNP	BC287



Model 810-811
 Object: PEDAL CONTROL REVERB AMPLIFIER PREAMPLIFIER
 Concorde
 SHEET No. 23
 Date 8-11-84

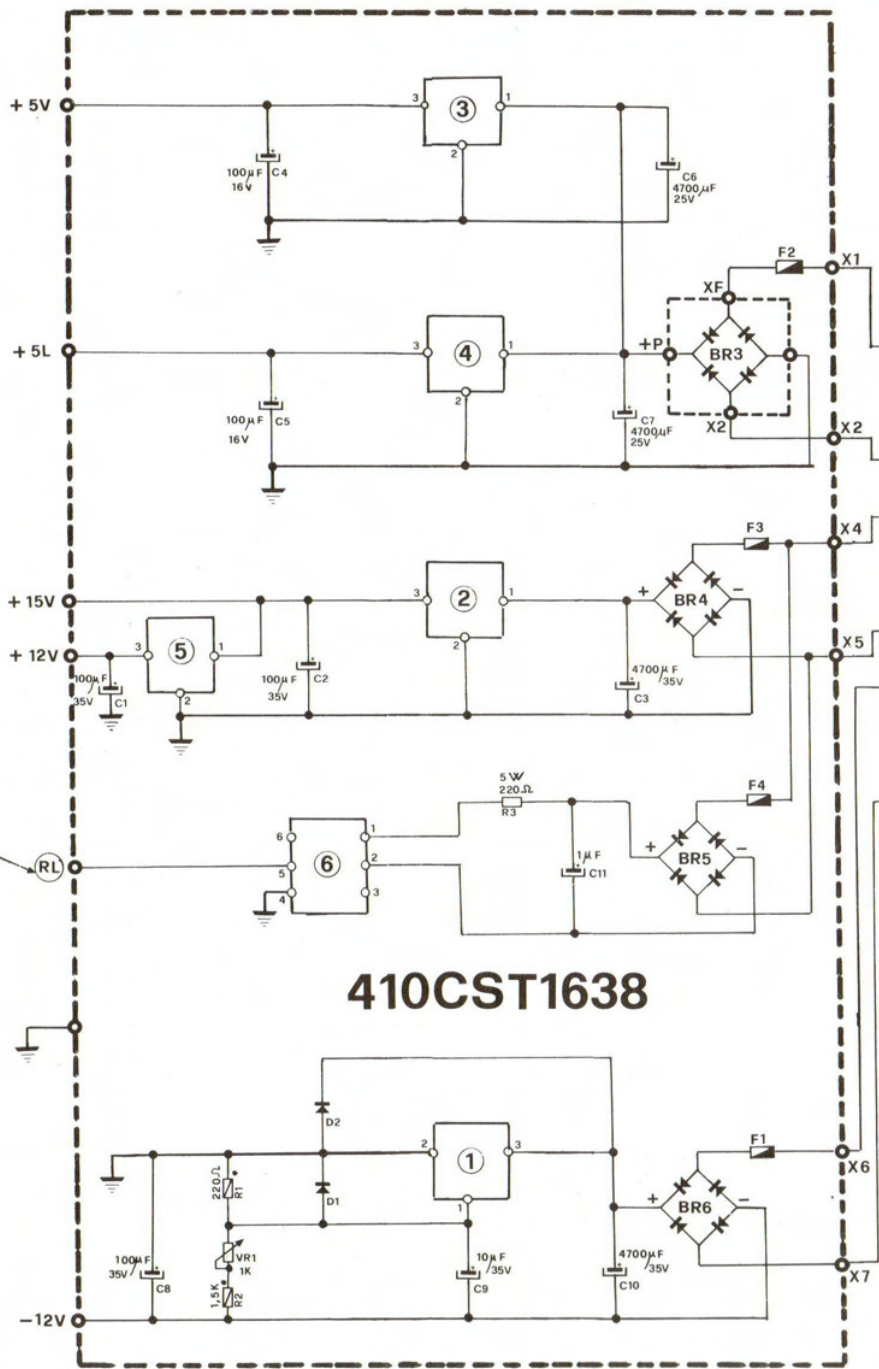


410CST1406 (477GR14063)



410CST1638 (477GR16380)

	Model	Sheet No. 24a
	CONCORDE 810-811	Date 8-11-84



410CST1638

TR1

410CST1406

I. C.		
CODE	TYPE	MAN.
3 - 4	78S05	
2	78M15	
5	78M12	
6	T1 L111	
1	LM 317	

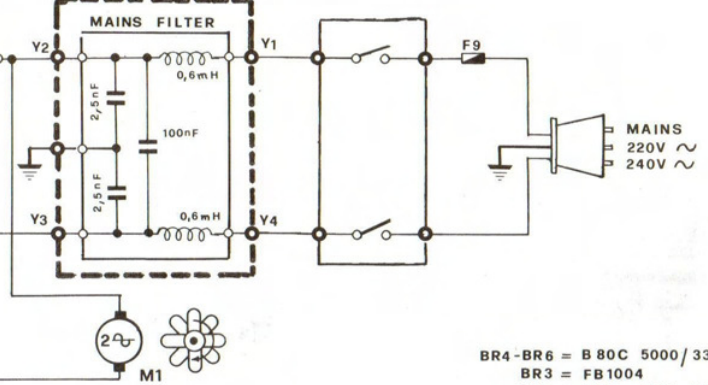
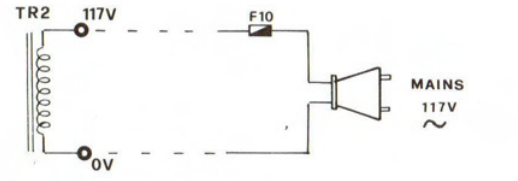
- BR4 - BR6 = B 80C 5000 / 3300
- BR3 = FB1004
- BR5 = W02 - BS2 - PG120

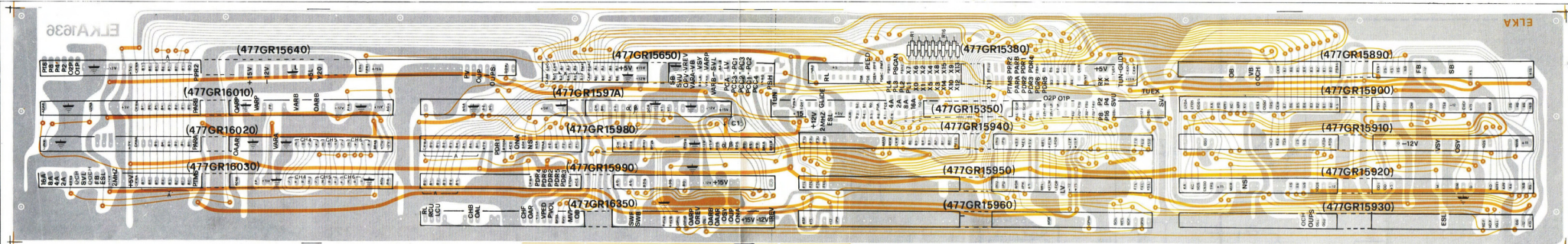
- F1 - F3 = FUSE T 3,15 A
- F2 = " T 6,3 A
- F4 = " T 315mA
- F9 = " T 1,25 A
- F10 = " T 2,5 A

D1 - D2 = 1N4002

TR1 = TRANSFORMER T 142 N
 TR2 = " T 142 K
 M1 = ETRI 126 LF 240V

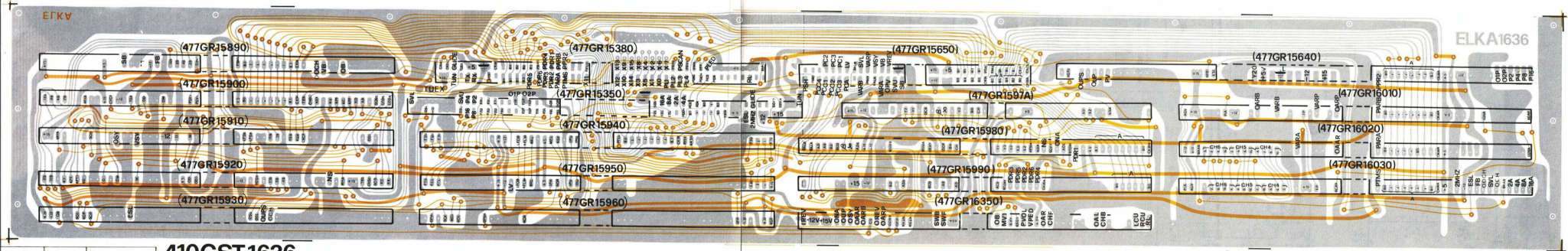
MAINS FILTER = 4011217001





410CST1636

(477GR16360)



410CST1636

(COPPER SIDE)

(477GR16360)

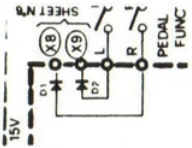
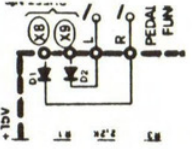
Model
CONCORDE
810-811

Sheet No.25a
Date 8-11-84



ERRATA CORRIGE

MODEL CONCORDE 811

Sheet N°		Date	Printed Circuit	MODIFICATIONS	
		Before		Before	Now
23	17/07/85	CST1617			

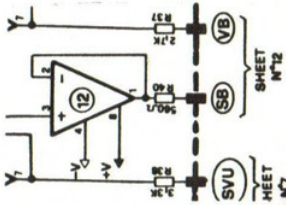
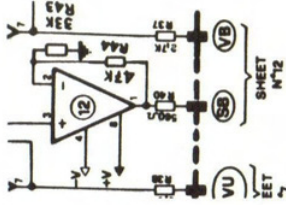
The following modification starts with the instrument having serial number

EUROPE
AMERICA



ERRATA CORRIGE

MODEL CONCORDE 811

Sheet N°		Date	Printed Circuit	MODIFICATIONS	
		Before		Before	Now
21	11/03/85	CST1602			
23-23a	02/05/85	CST1637			<p>R 94 = 39K R 89 = 47K 4081 PIN 14 = + 15 V</p> <p>(477GR16750)</p>
5	03/06/85	CST1565			

The following modification starts with the instrument having serial number

EUROPE
AMERICA