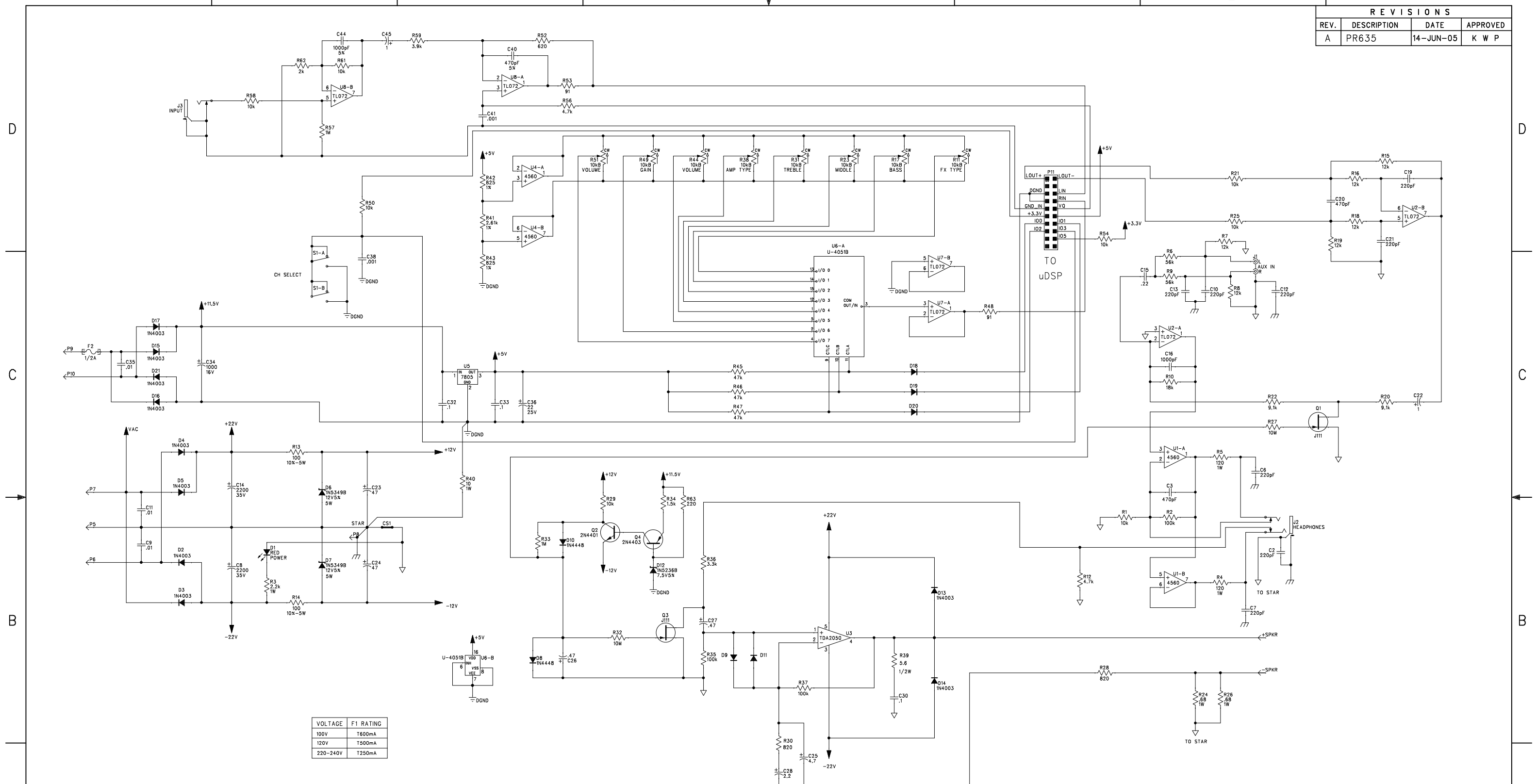


**231-8000-000 FM15 DSP**

- 0069890000 Speaker, FM-15DSP
- 0069892000 Knob, FM-15DSP
- 0069893000 Knob, Selector, FM15DSP
- 0069894000 Power Switch, FM15/25DSP
- 0069895000 IEC Connector, FM15/25DSP
- 0069896000 IEC Cable, FM15/25DSP
- 0069897000 RCA Jack, FM15/25DSP
- 0069898000 Control Pot, FM15/25DSP
- 0069899000 Logo Assy, FM15/25DSP
- 0069900000 Handle Assy, FM15DSP
- 0069901000 Handle Assy, FM25DSP
- 0069902000 Corner Assy, FM15/25DSP
- 0069903000 Foot Assy, FM15/25DSP
- 0069904000 Input Jack Assy, FM15/25DSP
- 0069905000 Headphone Jack Assy, FM15DSP
- 0069906000 Foot Jack Assy, FM15/25DSP
- 0069908000 Transformer, 120V, FM15DSP
- 0069909000 Transformer, 230V, FM15DSP

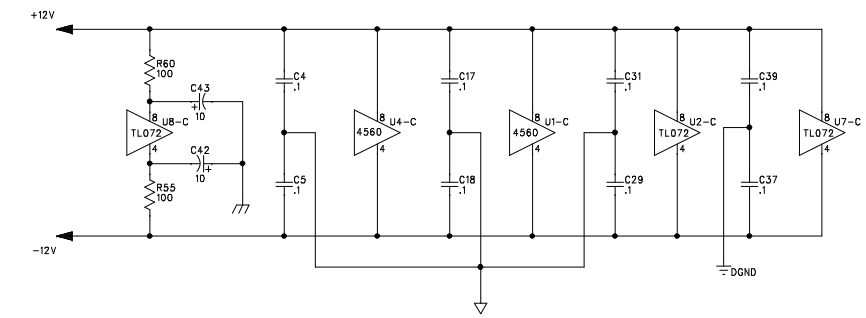
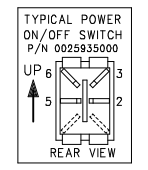
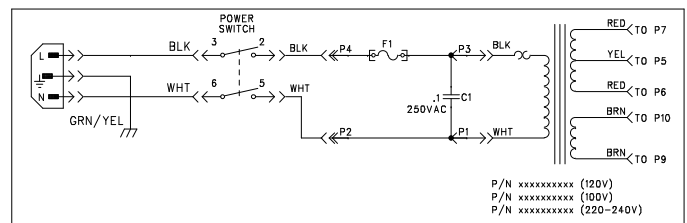


REVISIONS			
REV.	DESCRIPTION	DATE	APPROVED
A	PR635	14-JUN-05	K W P



VOLTAGE	F1 RATING
100V	T600mA
120V	T500mA
220-240V	T250mA

PRIMARY WIRING



- NOTES: (UNLESS OTHERWISE NOTED)
- THIS SCHEMATIC IS FOR PCB FABRICATION P/N 00?????000 AND PCB ASSEMBLY P/N 00?????000.
  - ALL DIODES ARE 1N4448.
  - ALL POLARIZED CAPACITORS IN uF, 20% 50V MINIMUM.
  - ALL UNPOLARIZED CAPACITORS IN uF, 10% OR BETTER; 50V MINIMUM. (POWER SUPPLY BYPASS CAPACITORS ARE 20%).
  - ALL RESISTORS IN OHMS, 5% 1/4W.

THIS DOCUMENT CONTAINS INFORMATION OF A PROPRIETARY NATURE TO FENDER MUSICAL INSTRUMENTS AND IS SUBMITTED TO YOU IN CONFIDENCE AND SHALL NOT BE DISCLOSED OR TRANSMITTED TO OTHERS WITHOUT AUTHORIZATION FROM FENDER MUSICAL INSTRUMENTS.		<b>Fender</b> MUSICAL INSTRUMENTS Corona, CA U.S.A.	
CHECKED BY: _____	DATE: _____	TITLE: SERVICE DIAGRAM, COMBINED (schematic) FM15 DSP Main PCB assy	
APPROVED BY: _____	DATE: _____	SIZE: <b>D</b>	DRAWING NUMBER: 0070199000
DRAWN: K. PORTER	ENGR: K. PORTER	RELEASE DATE: 14-JUN-05	SHEET: 1 OF 2
DATABASE FILE: ZxyzSn.SCH		REV. <b>A</b>	