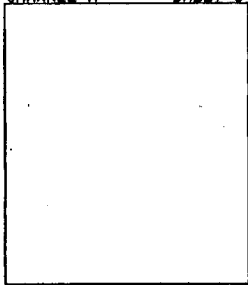
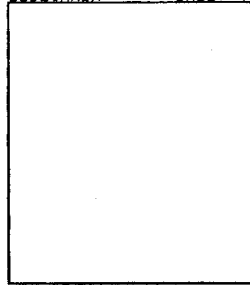


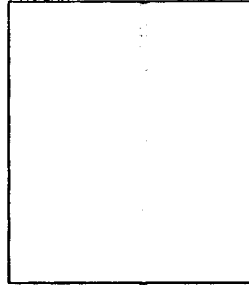
CHANNEL A SHEET 3



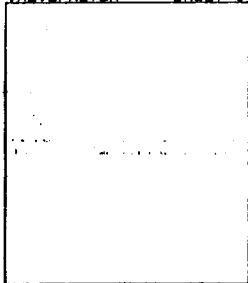
SIDECHAIN SHEET 4



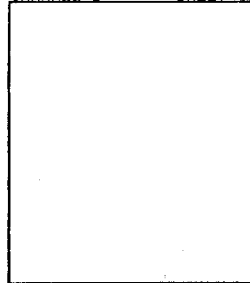
PROGRAM SHEET 7



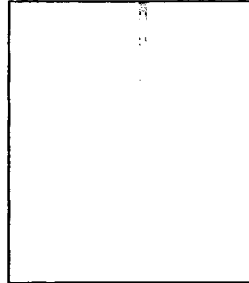
VALVE/METER SHEET 5



CHANNEL B SHEET 6



PSU SHEET 2



NOTES FOR QUALIFIED SERVICE ENGINEERS

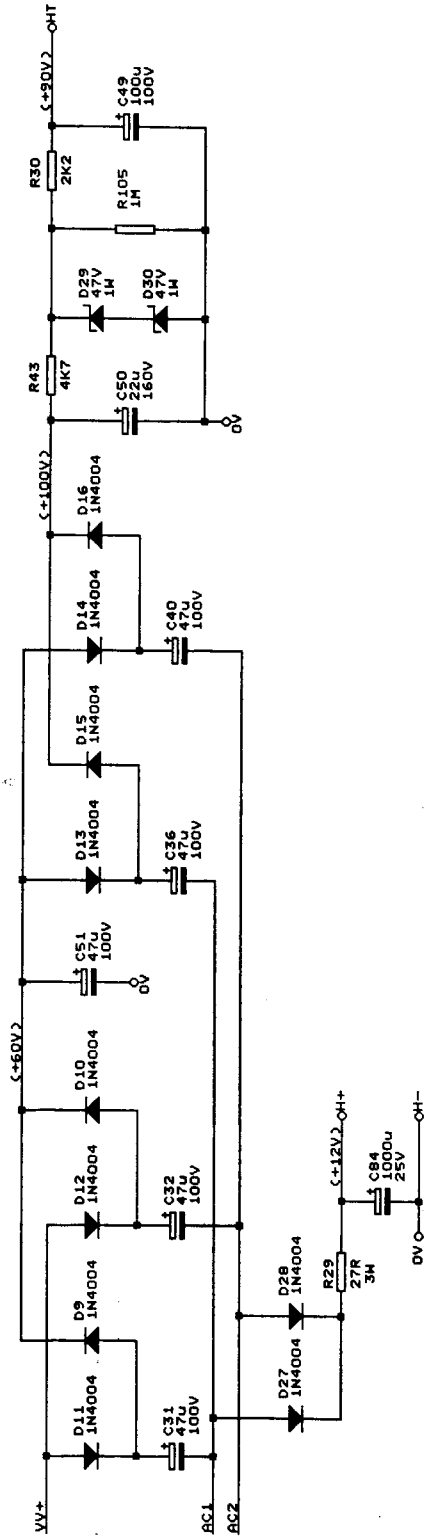
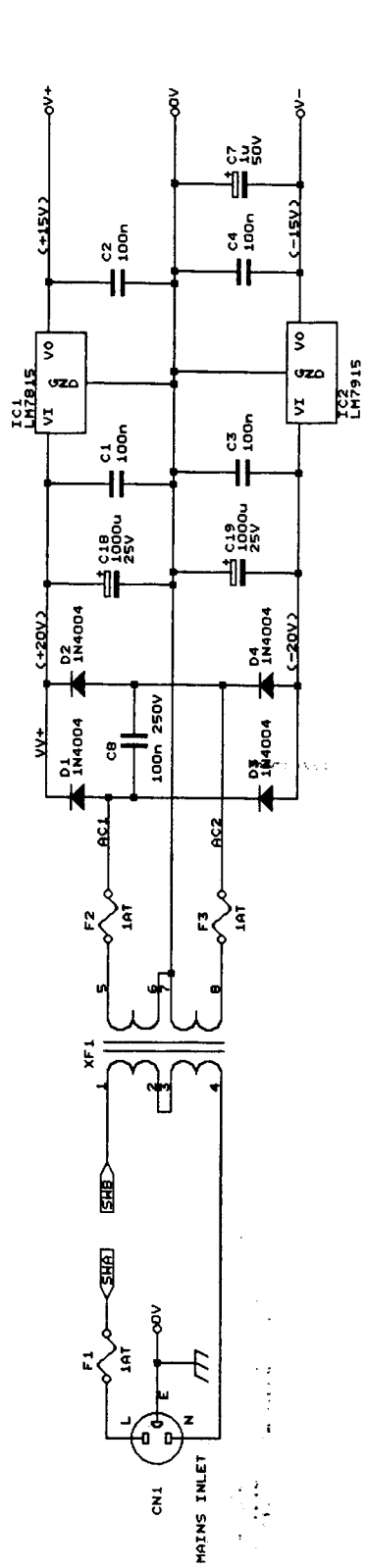
The following voltages exist within this unit under normal working circumstances: 230V (115V) AC Mains and 110V DC.
These voltages may take several minutes to decay after the unit is switched off.

CARE MUST BE TAKEN WHEN FAULT FINDING.

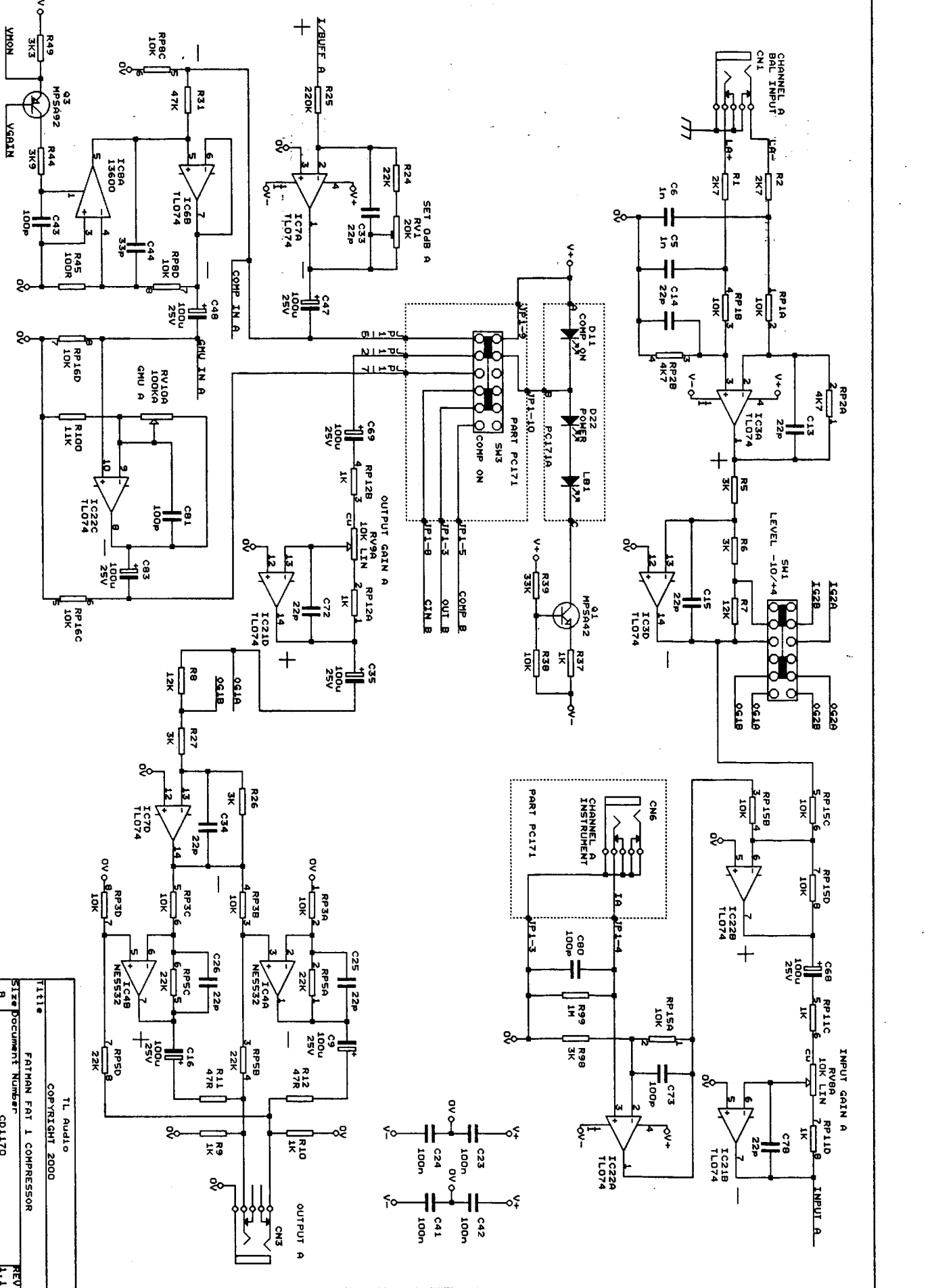
- DO NOT handle the PCB while the unit is connected to the Mains Supply.
- DO NOT use screws with different type or length than those currently fitted.
- DO NOT remove EARTH wires under any circumstances.
- REPLACE all covers removed during servicing.
- During reassembly DO NOT allow wires to be trapped.

IF IN DOUBT RETURN UNIT TO SUPPLIER.

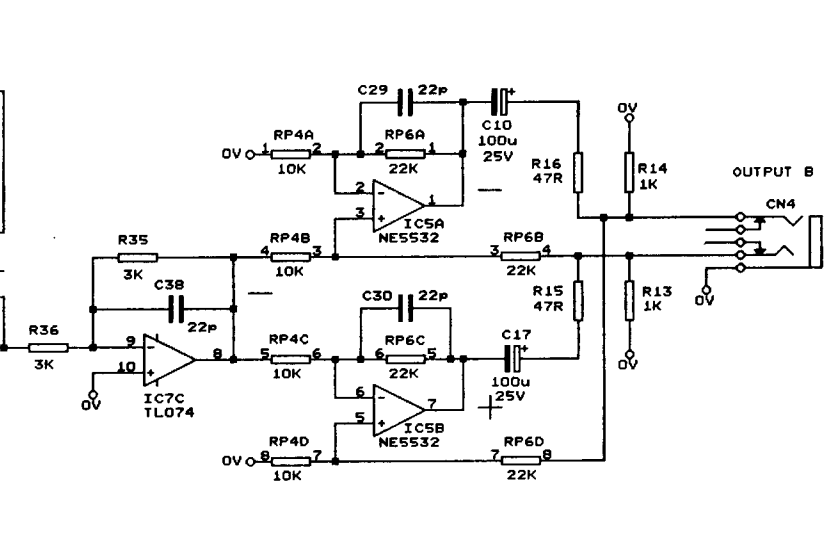
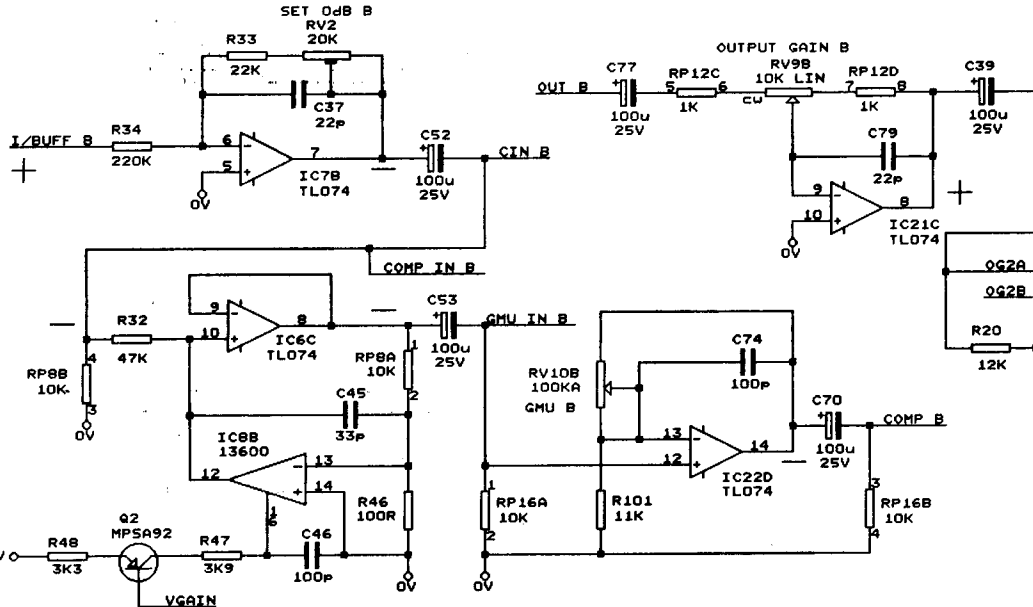
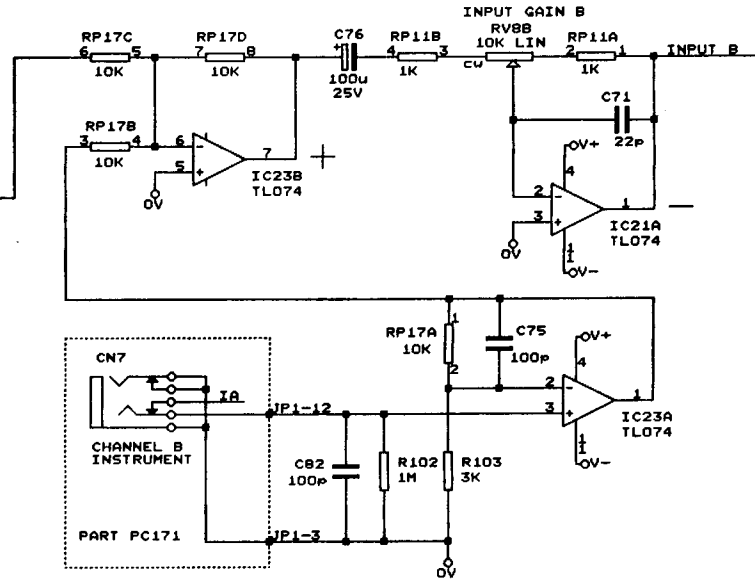
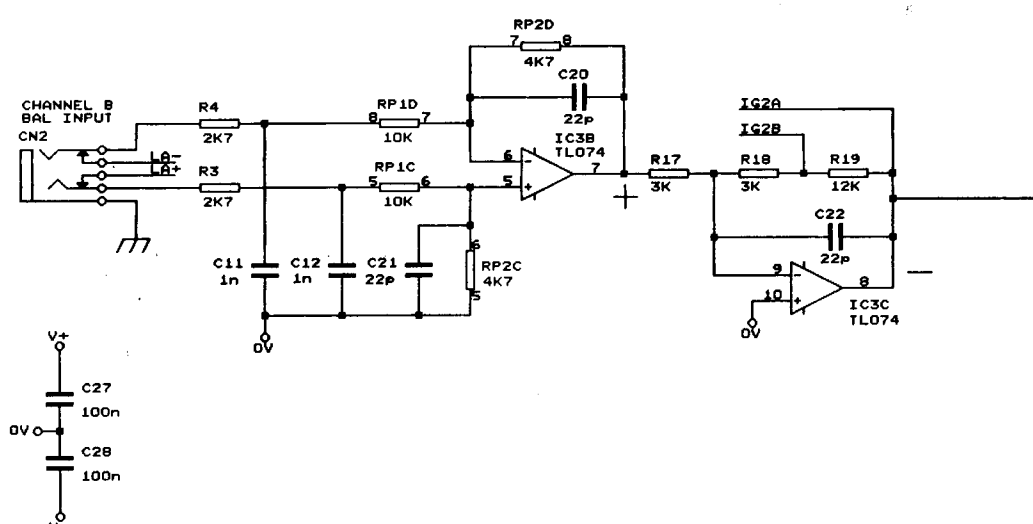
TL Audio		
COPYRIGHT 2000		
Title		
FATMAN FAT 1 COMPRESSOR		
Size	Document Number	REV
B	CD1170	1.1
Date:	May 31, 2000	Sheet 1 of 7



TL Audio	
COPYRIGHT 2000	
Title	
FATHAN FAT 1 COMPRESSOR	
Size	Document Number
B	CD1170
Date:	May 31, 2000
Sheet	2 of 7



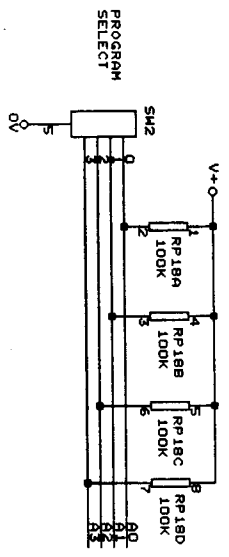
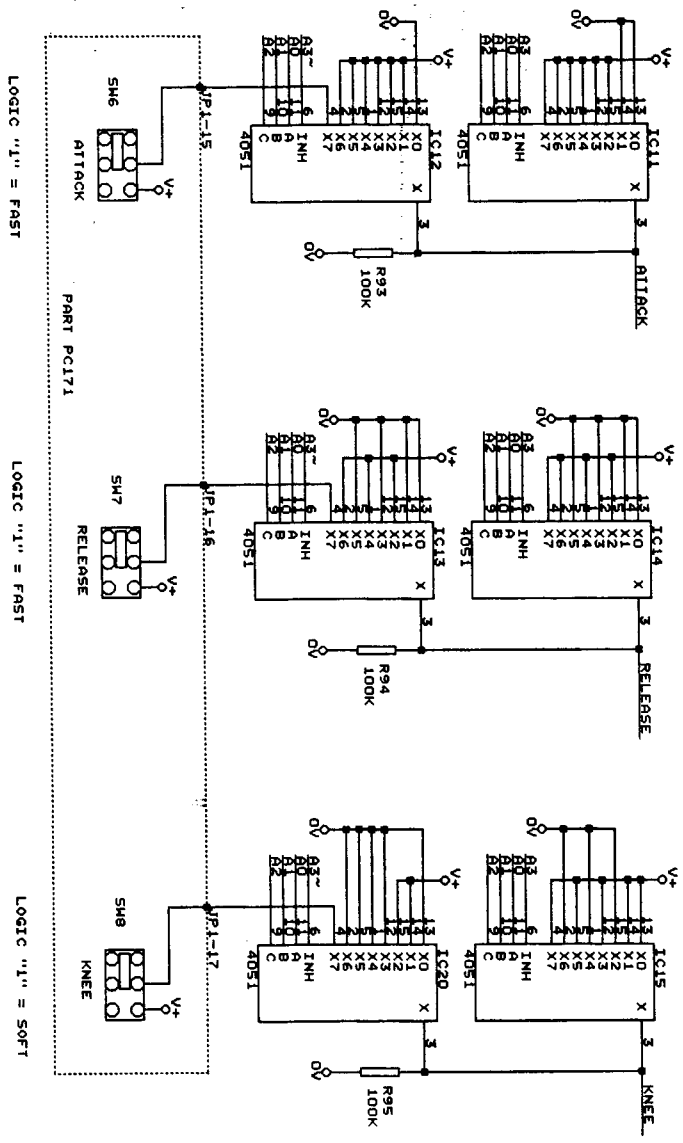
TL Audio
 Copyright 2000
 Title: FATMAN FAT 1 COMPRESSOR
 Size: Document Number: COLL170
 REV: 1.1



PROGRAM

- 5
- 2
- 13
- 14
- 10

- 7
- 4
- 8
- 25
- 12
- 11
- 16



SW2 OUTPUT

PROGRAM	A3	A2	A1	A0
MANUAL (18)	1	1	1	1
<FLNT AT TOP>	0	1	1	1
1	0	0	1	1
2	0	0	1	1
3	1	0	0	1
4	1	0	0	1
5	0	0	0	1
6	0	0	0	0
7	1	0	0	0
8	1	0	1	0
9	0	0	1	0
10	0	1	1	0
11	1	1	1	0
12	1	1	0	0
13	0	1	0	0
14	0	1	0	1
15	1	1	0	1

CW ↘