

# FRONTMAN 25B

p/n 022-1504-000 (120V)

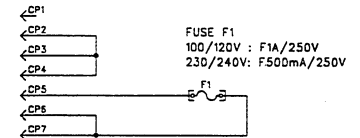
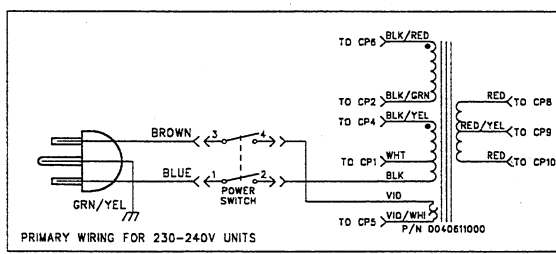
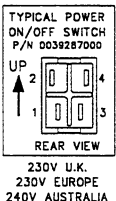
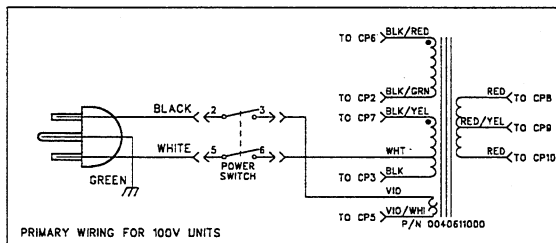
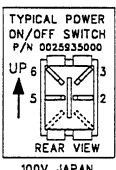
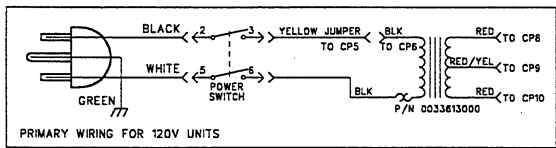
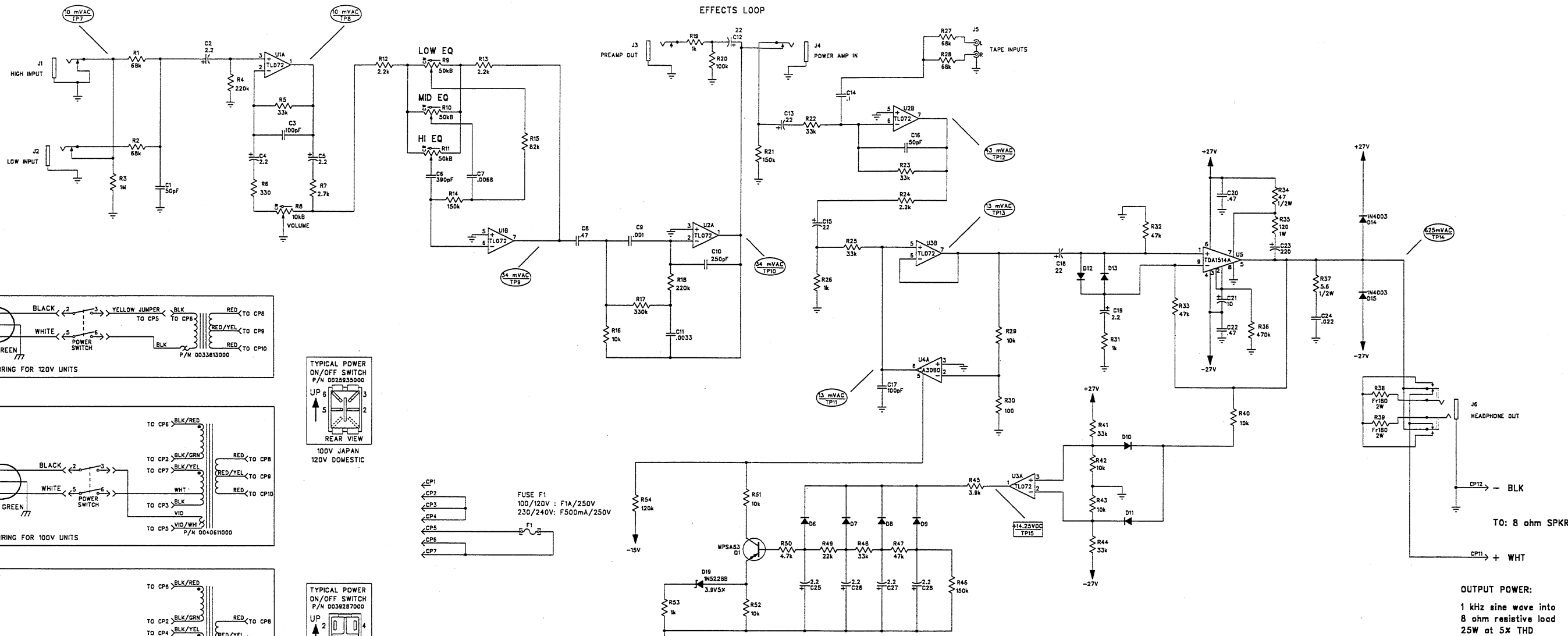
## SERVICE MANUAL

**When servicing the Frontman 25B, please refer to the service manual for the BXR 25**

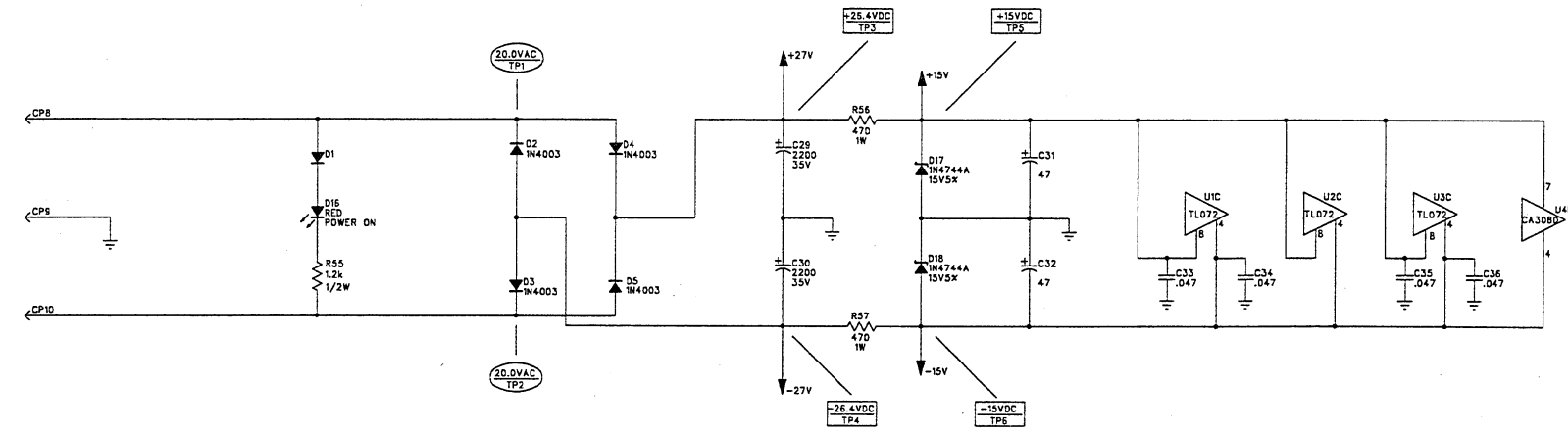


Fender Musical Instruments Corp. 7975 North Hayden Road Scottsdale, AZ 85258

REVISIONS			
REV.	DESCRIPTION	DATE	APPROVED
A	EC 2330	28-JUL-99	GCJ



OUTPUT POWER:  
1 kHz sine wave into  
8 ohm resistive load  
25W at 5% THD



- AC VOLTAGE READINGS TAKEN WITH A DVM UNDER THE FOLLOWING CONDITIONS:  
INPUT = SINE WAVE, 1KHz, 10mV  
LOAD = 8 ohm RESISTIVE, CONNECTED BETWEEN CP11 AND CP12  
ALL CONTROLS SET TO 12 O'CLOCK POSITION
  - THIS SCHEMATIC IS FOR PCB FABRICATION P/N 0055870000 AND PCB ASSEMBLY P/N 0055835000.
  - ALL DIODES ARE 1N4448.
  - ALL POLARIZED CAPACITORS IN uF, 20% 50V MINIMUM.
  - ALL UNPOLARIZED CAPACITORS IN uF, 10% OR BETTER, 50V MINIMUM. (POWER SUPPLY BYPASS CAPACITORS ARE 20%).
  - ALL RESISTORS IN OHMS, 5% 1/4W.
- NOTES: (UNLESS OTHERWISE NOTED)

THIS DOCUMENT CONTAINS INFORMATION OF A PROPRIETARY NATURE TO FENDER MUSICAL INSTRUMENTS AND IS SUBMITTED TO YOU IN CONFIDENCE AND SHALL NOT BE DISCLOSED OR TRANSMITTED TO OTHERS WITHOUT AUTHORIZATION FROM FENDER MUSICAL INSTRUMENTS.

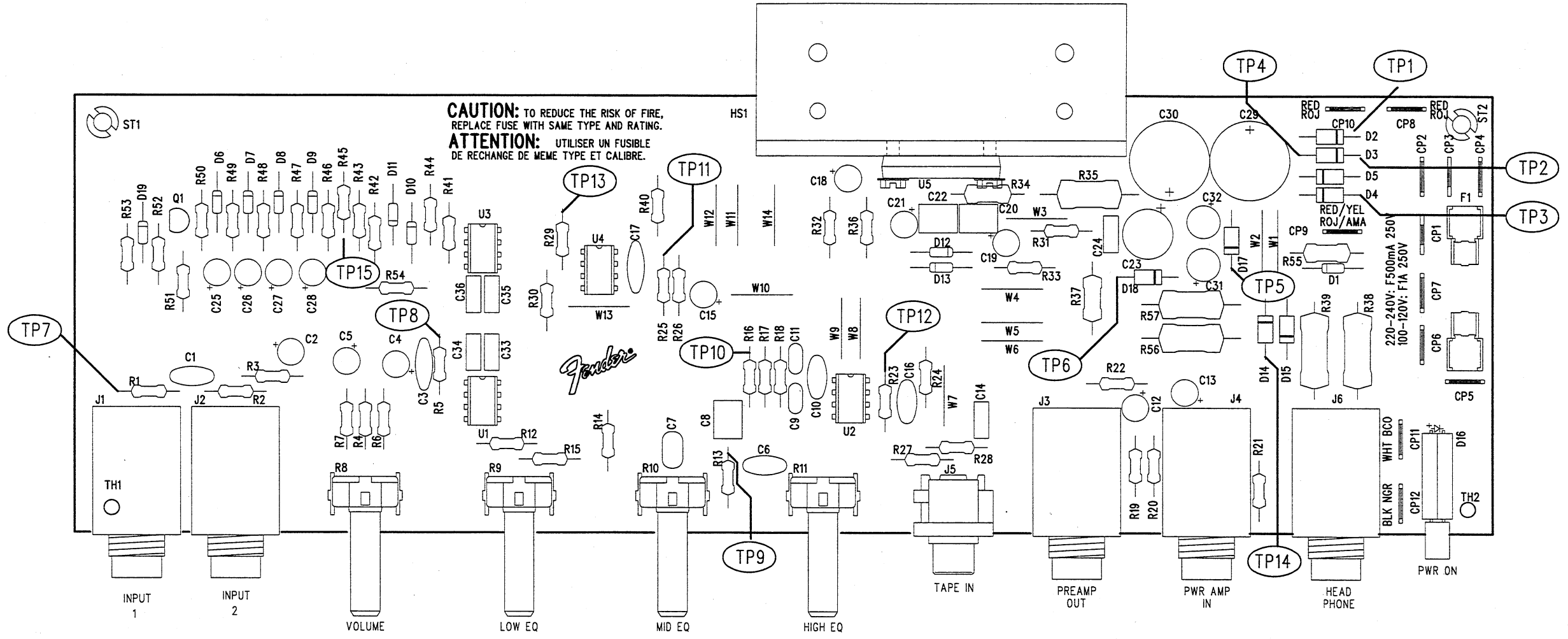
**Fender** MUSICAL INSTRUMENTS  
2621 Research Drive  
Corona, CA 91720 USA

CHECKED BY: *B. Don*  
DATE: 27-SEP-99  
APPROVED BY: *J. J. [Signature]*  
DATE: 27-SEP-99  
DRAWN: GCJ ENGR: GCJ

TITLE: SERVICE DIAGRAM, COMBINED (schematic)  
FRONTMAN 25B  
SIZE: DRAWING NUMBER  
D 0055823000  
REV. A

RELEASE DATE: 28 JUL 99 SHEET: 1 OF 2

REVISIONS			
REV.	DESCRIPTION	DATE	APPROVED
A	EC 2330	08-AUG-99	GCJ



FILM/DWG: SERVICE DIAGRAM  
 DATABASE: Z430P.PCB DATE: 12-AUG-99

1. SEE SHEET 1 FOR PRIMARY WIRING, TEST CONDITIONS, AND TEST POINT VALUES

NOTES: (UNLESS OTHERWISE NOTED)

THIS DOCUMENT CONTAINS INFORMATION OF A PROPRIETARY NATURE TO FENDER MUSICAL INSTRUMENTS AND IS SUBMITTED TO YOU IN CONFIDENCE AND SHALL NOT BE DISCLOSED OR TRANSMITTED TO OTHERS WITHOUT AUTHORIZATION FROM FENDER MUSICAL INSTRUMENTS.

**Fender** MUSICAL INSTRUMENTS  
 2621 Research Drive  
 Corona, CA 91720 USA

CHECKED BY: *Allen*  
 DATE: 24-SEP-99

TITLE: SERVICE DIAGRAM, COMBINED (PCB assy)  
 Frontman 25B

APPROVED BY: *A. Jorgensen*  
 DATE: 27-SEP-99

SIZE	DRAWING NUMBER	REV.
B	0055823000	A

DRAWN: GCJ ENGR: G. Jorgensen  
 DATABASE FILE: Z430P.PCB

RELEASE DATE: 17-AUG-99 SHEET 2 OF 2