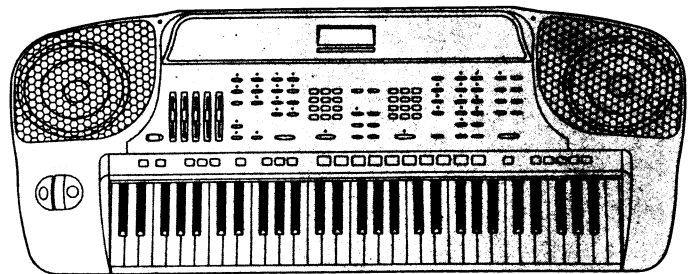


GoldStar

ELECTRONIC KEYBOARD SERVICE MANUAL



MODEL : GEK - S525



GoldStar

CONTENTS

- 1. SPECIFICATIONS 3
- 2. BLOCK DIAGRAM 4
- 3. SCHEMATIC DIAGRAM
 - 3.1 MAIN CIRCUIT 5
 - 3.2 ANALOG CIRCUIT 6
 - 3.3 FUNCTION CIRCUIT 7
 - 3.4 KEY and JACK CIRCUIT 8
- 4. PCB LAYOUT 9
- 5. WIRING DIAGRAM 15
- 6. KEY MATRIX 16
- 7. MIDI IMPLEMENTATION CHART 17
- 8. TROUBLESHOOTING GUIDE 18
- 9. IC SPEC 19
- 10. EXPLODED VIEW/PARTS LIST 32
- 11. REPLACEMENT PARTS LIST 33

EK-S525

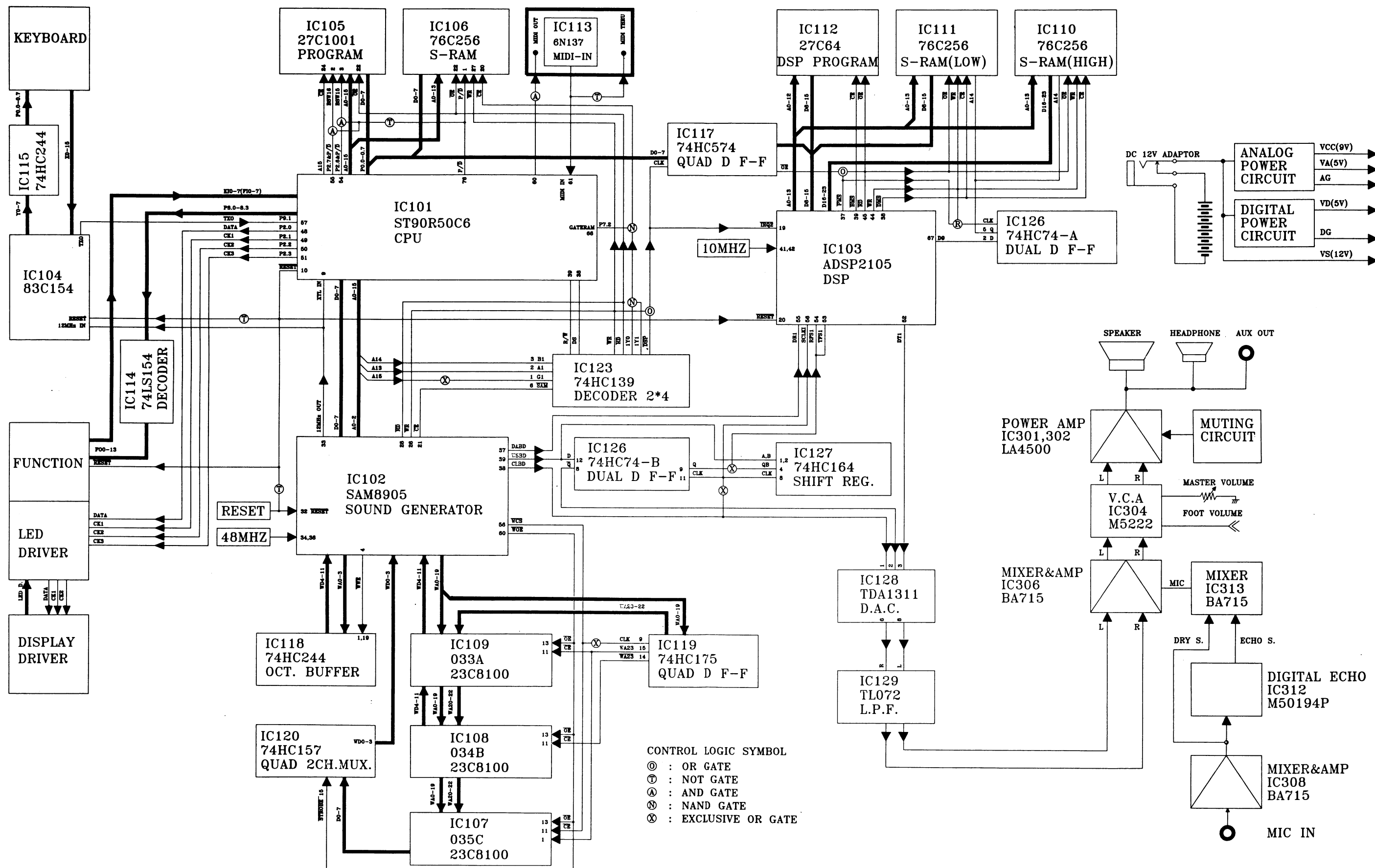
1. SPECIFICATIONS

KEYBOARD	61 KEYS (5 OCTAVE) TOUCH SENSITIVE FUNCTION
POLYPHONICS	13 POLYS
PRESET TONE	100 TONES (100 USER TONES)
TONE MIX	5050 TONES (TONE MIX, TONE SPLIT)
TONE EDIT	11 PARAMETER Attack 1, Attack 2, Decay 1, Decay 2, Sustain 1, Sustain 2, Release 1, Release 2, Tone, Speed, Depth
SPLIT FUNCTION	3 POINTS KEYSPLIT, MANUAL KEYSPLIT
DIGITAL EFFECT	ROOM, HALL, CHORUS
RHYTHM	100 STYLES+100 VARIATIONS 59 KEYBOARD DRUM EFFECT PAD (10 DRUM+10 SOUND EFFECT) INTRO/ENDING, 3 FILL IN SYNCHRO START, SYNCHRO BREAK
AUTO BASS CHORD	EASY CHORD, FINGERED, RIFF, AIN
AUTO HARMONIZE	DUET, TRIO
ACCOMPANIMENTS COMPOSER ...	10 CUSTOMS (RHYTHM, BASS, CHORD1 CHORD2)
ACCOMPANIMENTS STEP	100 STEPS (include INTRO, FILLIN, ENDING)
RECORDER	
MUSIC RECORDER	4 SONGS, 4 PARTS (MELODY1, MELODY2, ACCOMPANIMENTS, BASS)
VOICE CONTROL	TRANSPOSE, PITCH WHEEL (MODULATION, PITCH BEND) SUSTAIN
MEMORY REGISTRATION	4 BANKS
DEMONSTRATION	
VOLUME	MAIN, VOICE, RHYTHM, BASS, CHORD, MIC
EXTERNAL JACK	DC IN, MAIN VOLUME PEDAL, SUSTAIN PEDAL, MIDI IN /OUT/THRU AUX OUT (L+R/R), 2 HEADPHONE, MIC
POWER SOURCE	AC 110/220V 60/50Hz, DC 12V, 2A "DM" SIZE(1.5V) × 8

GEK-S525

GEK-S525

2. BLOCK DIAGRAM

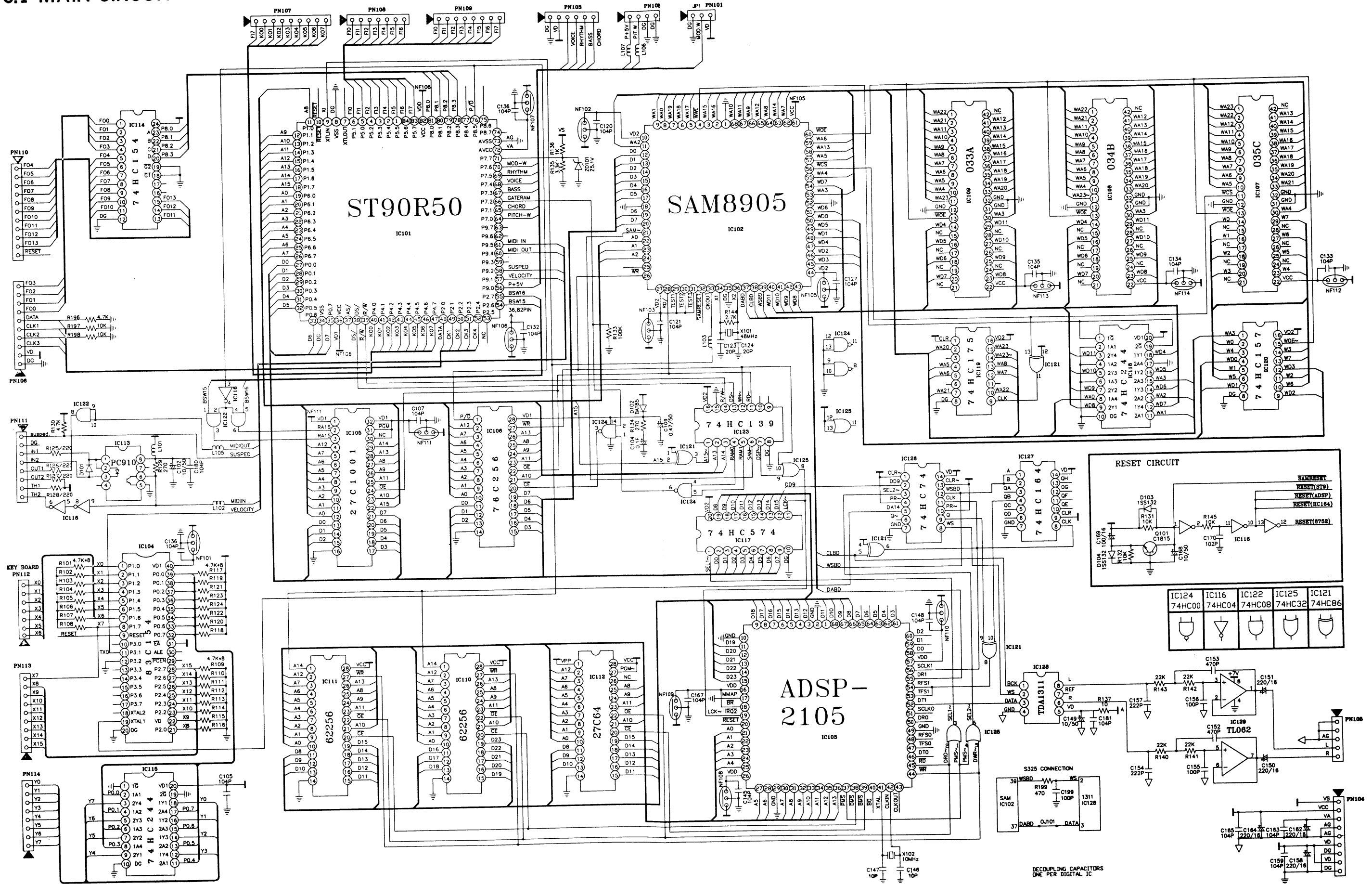


CONTROL LOGIC SYMBOL
 ⊕ : OR GATE
 ⊖ : NOT GATE
 ⊙ : AND GATE
 ⊗ : NAND GATE
 ⊕⊖ : EXCLUSIVE OR GATE

GEK-S525

GEK-S525

3.1 MAIN CIRCUIT

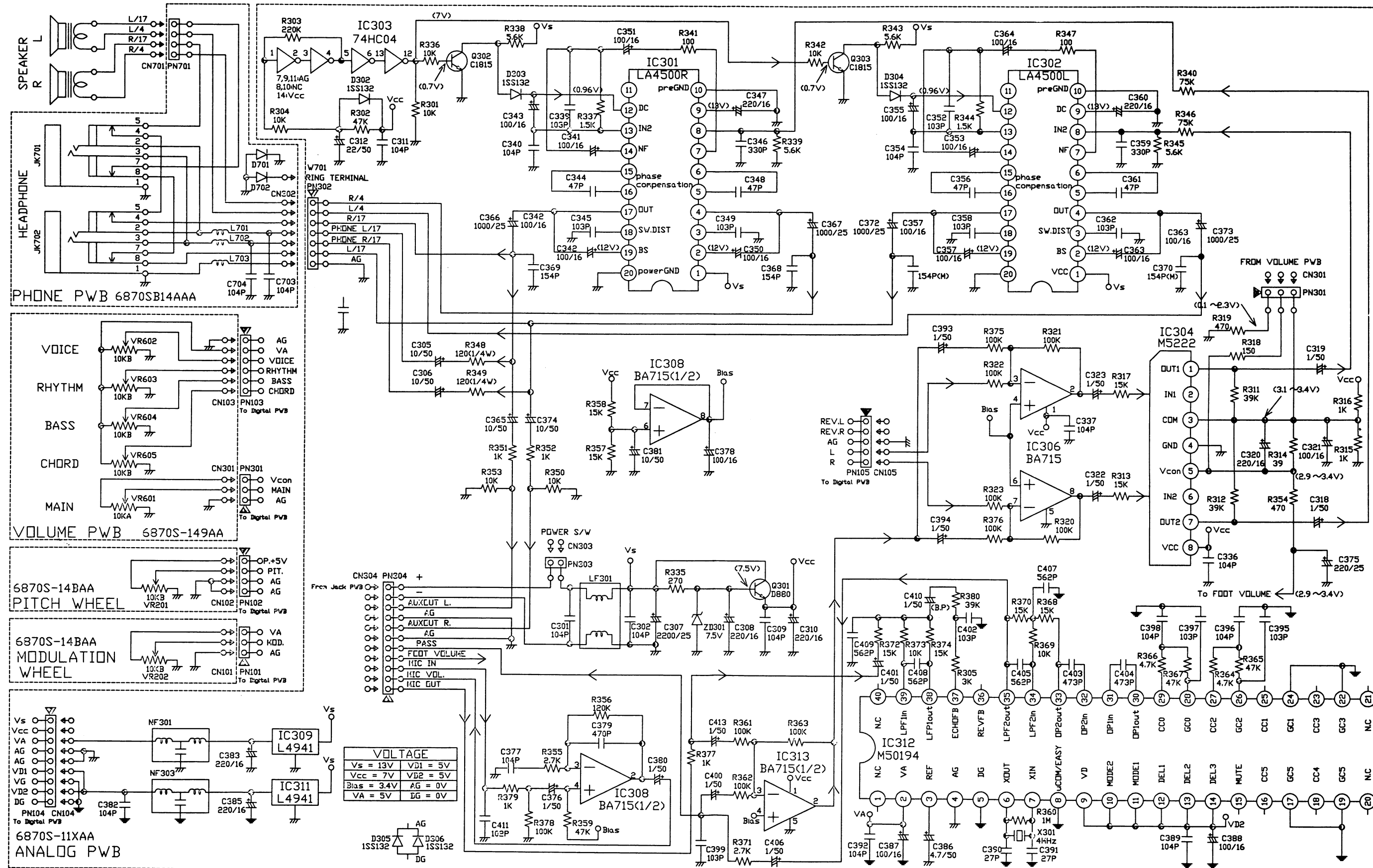


DECOUPLING CAPACITORS ONE PER DIGITAL IC

3.2 ANALOG CIRCUIT

GEK-S525

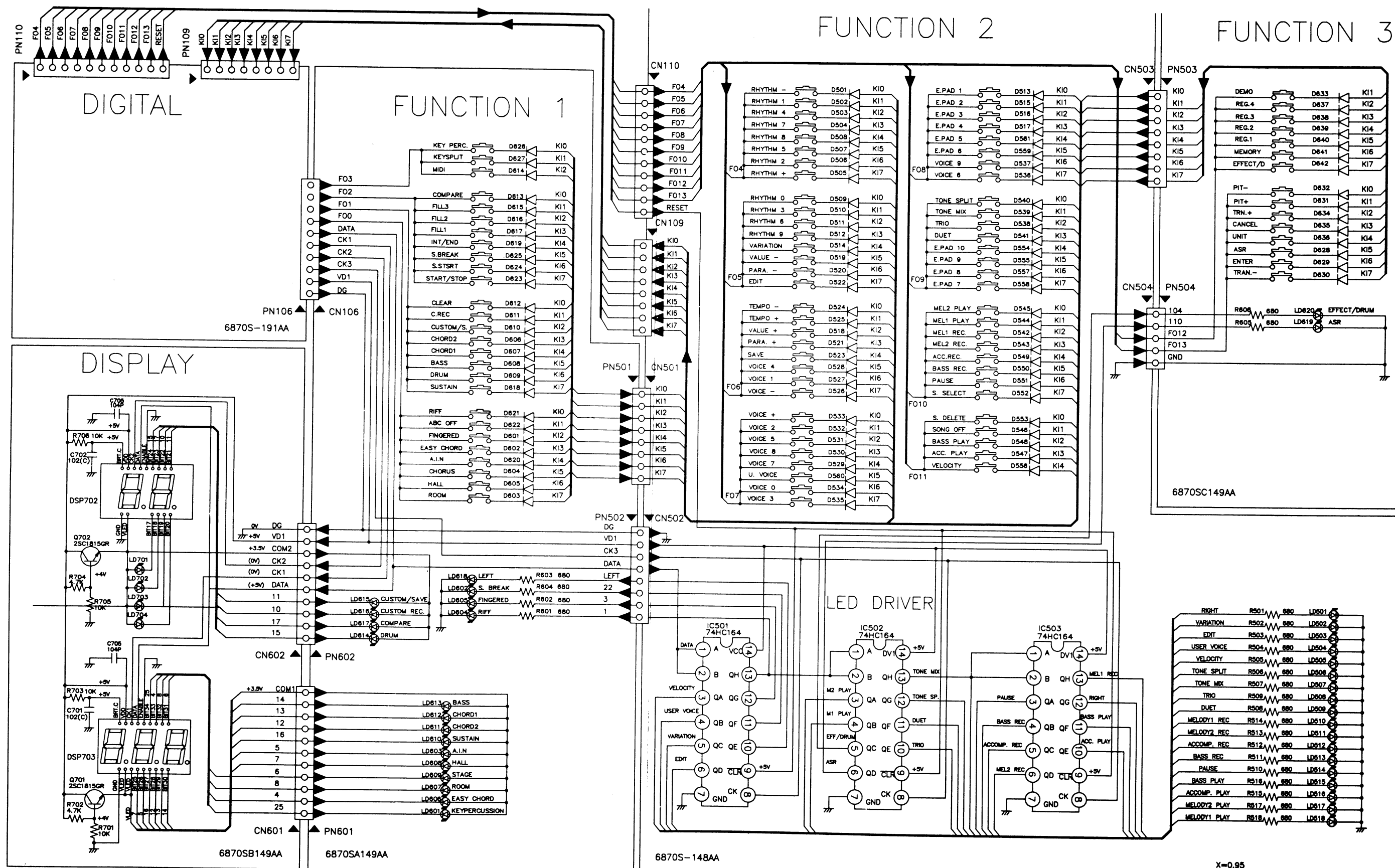
GEK-S525



GEK - S525

GEK - S525

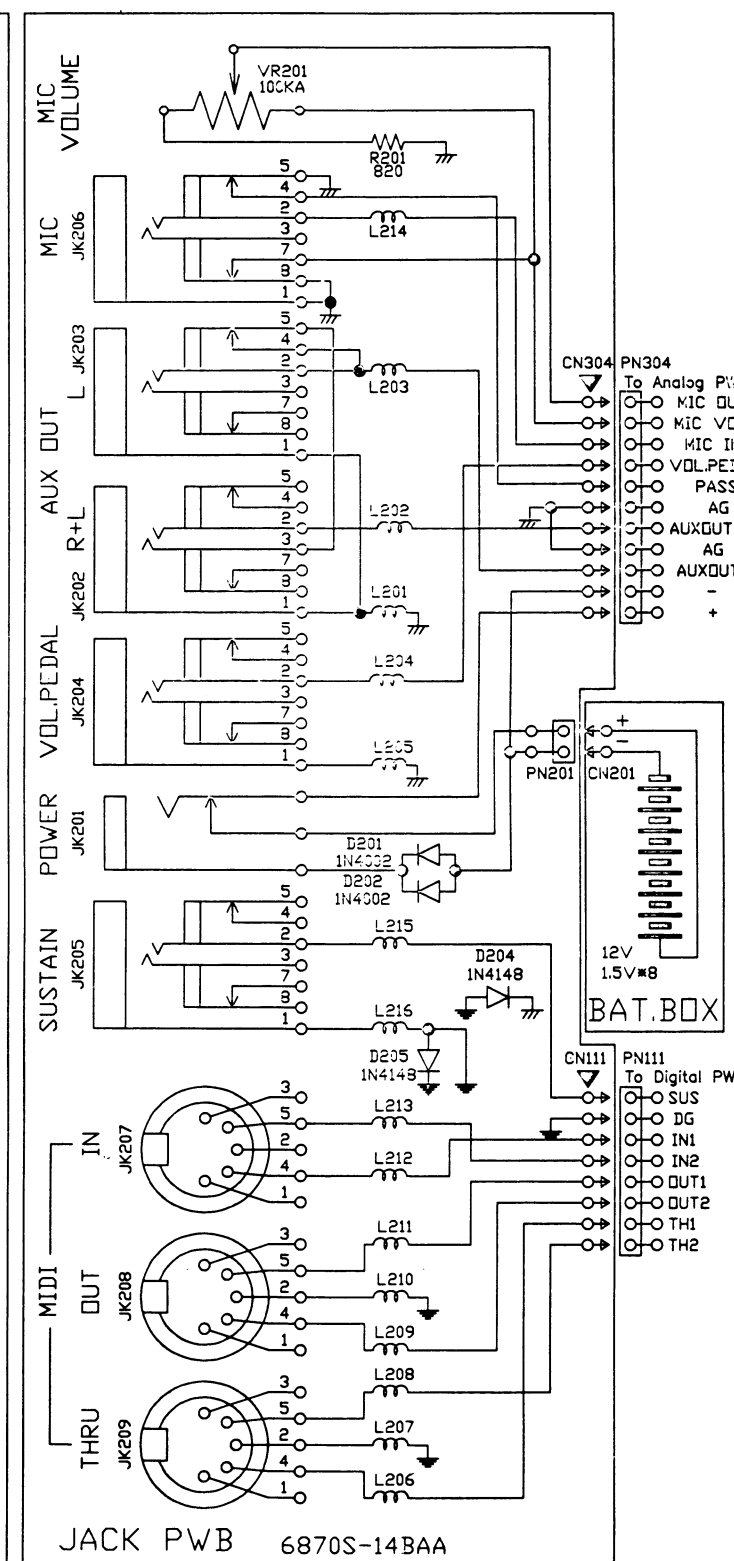
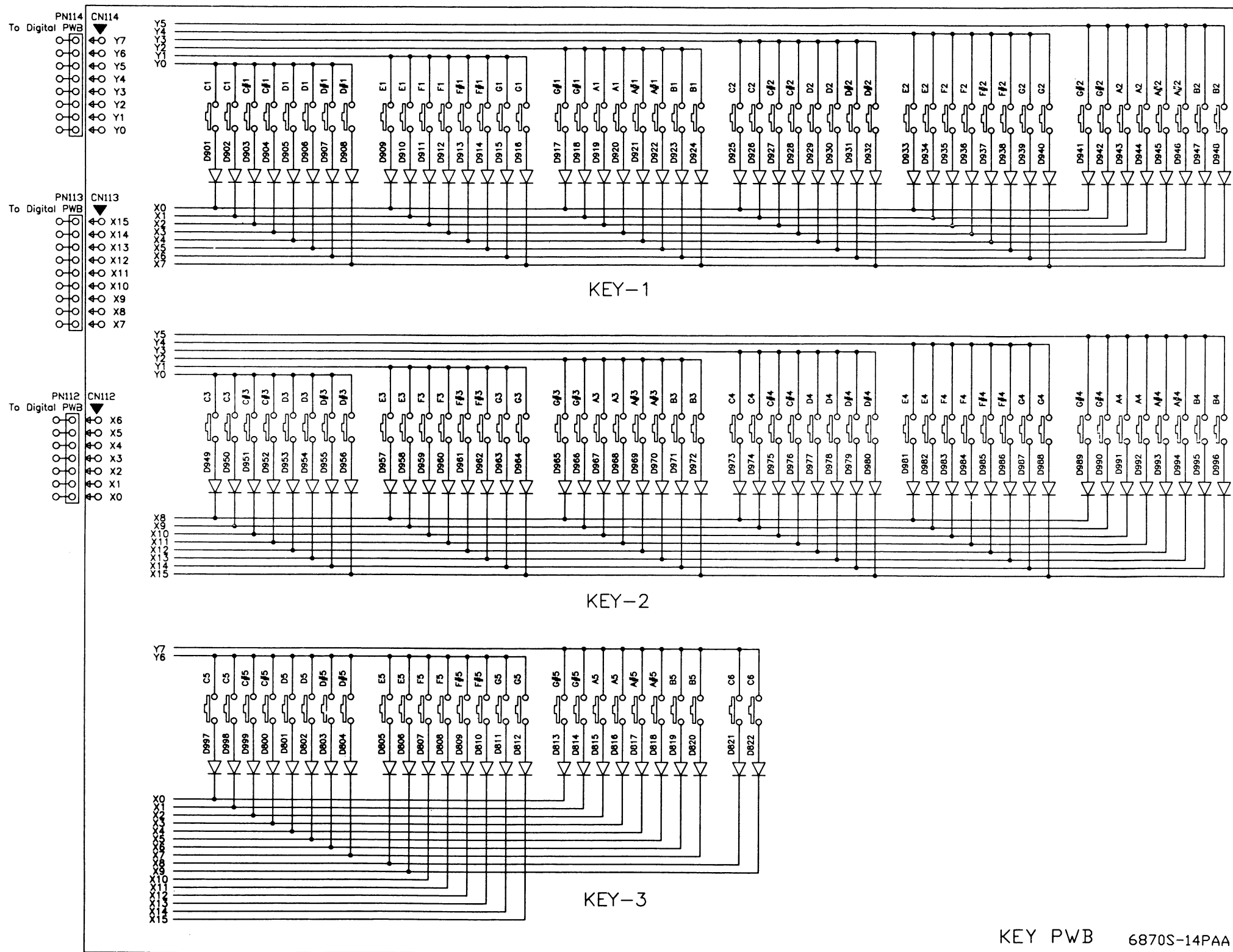
3.3 FUNCTION CIRCUIT



GEK-S525

GEK-S525

3.4 KEY & JACK CIRCUIT

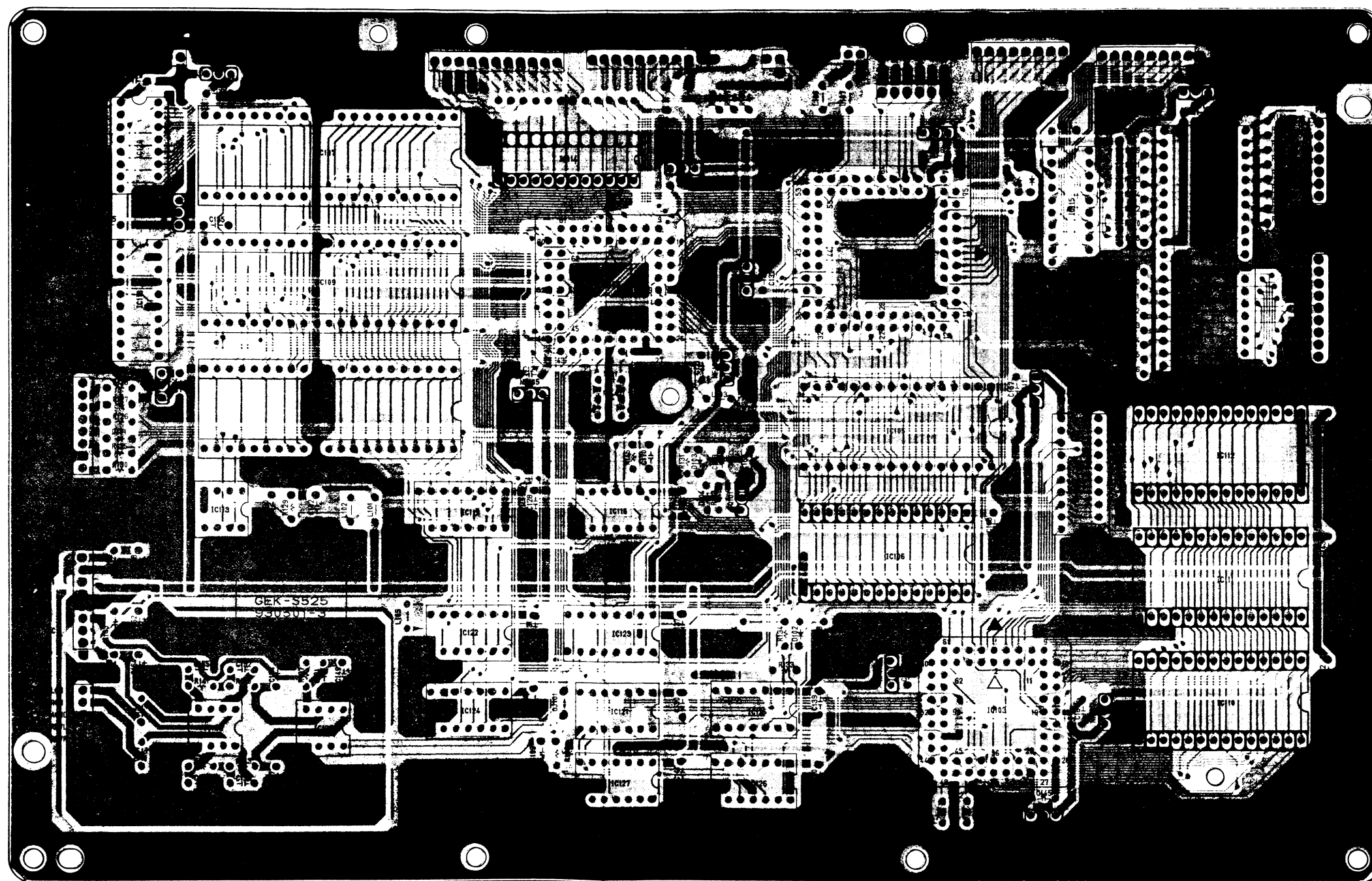


GEK-S525

GEK-S525

4. PCB LAYOUT

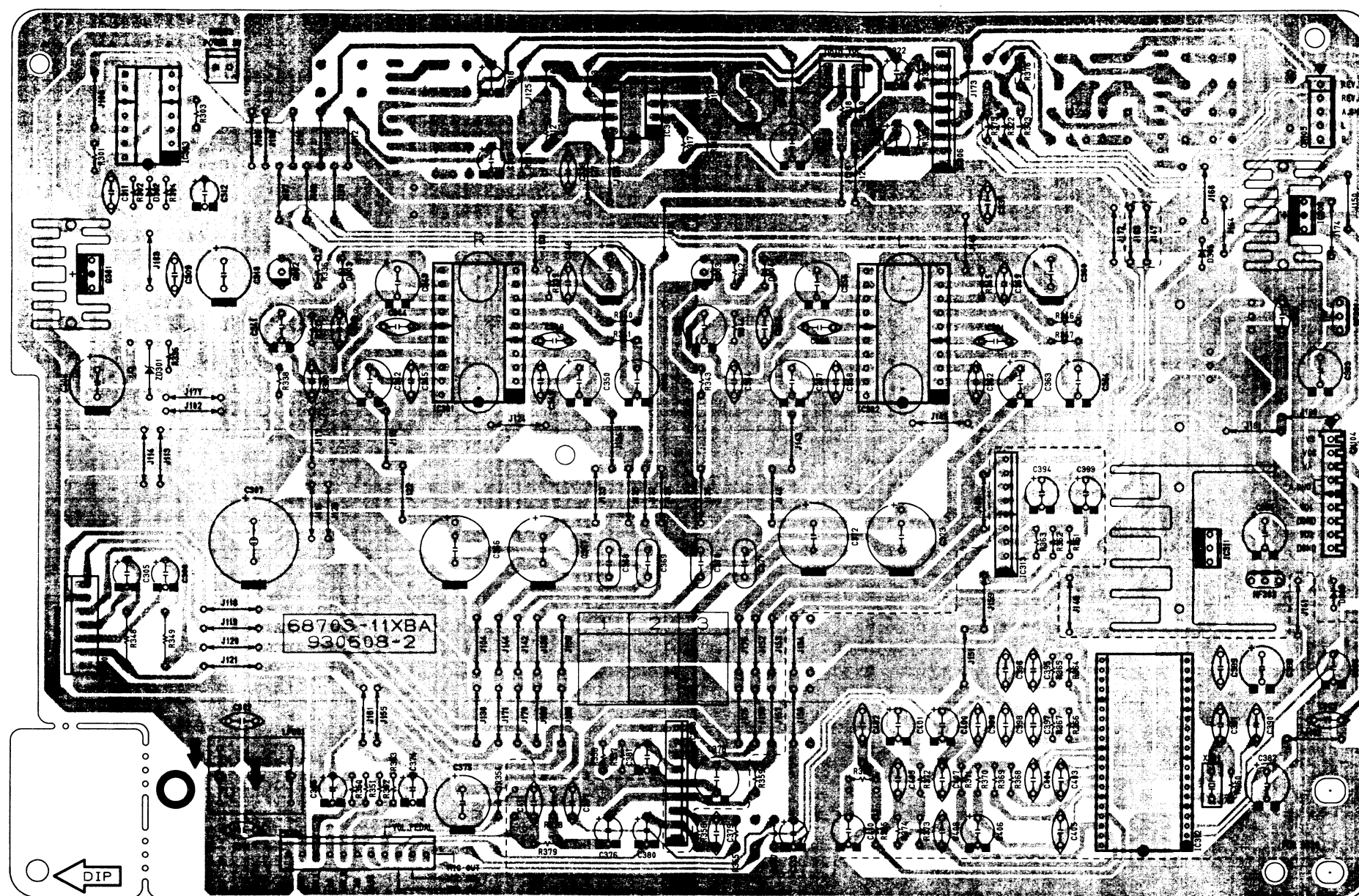
4.1 MAIN P.C. BOARD



GEK-S525

GEK-S525

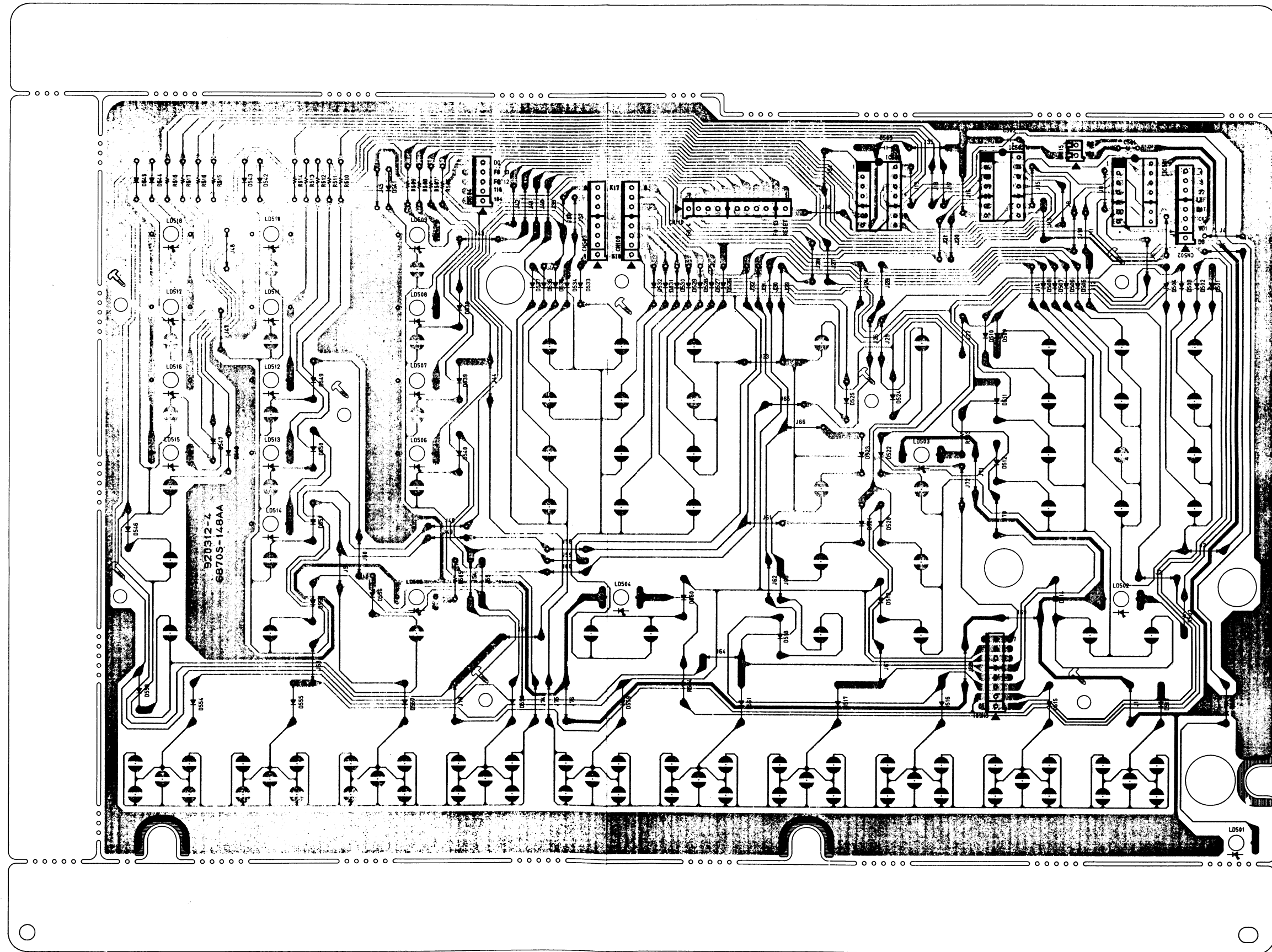
4.2 ANALOG P.C. BOARD



GEK-S525

GEK-S525

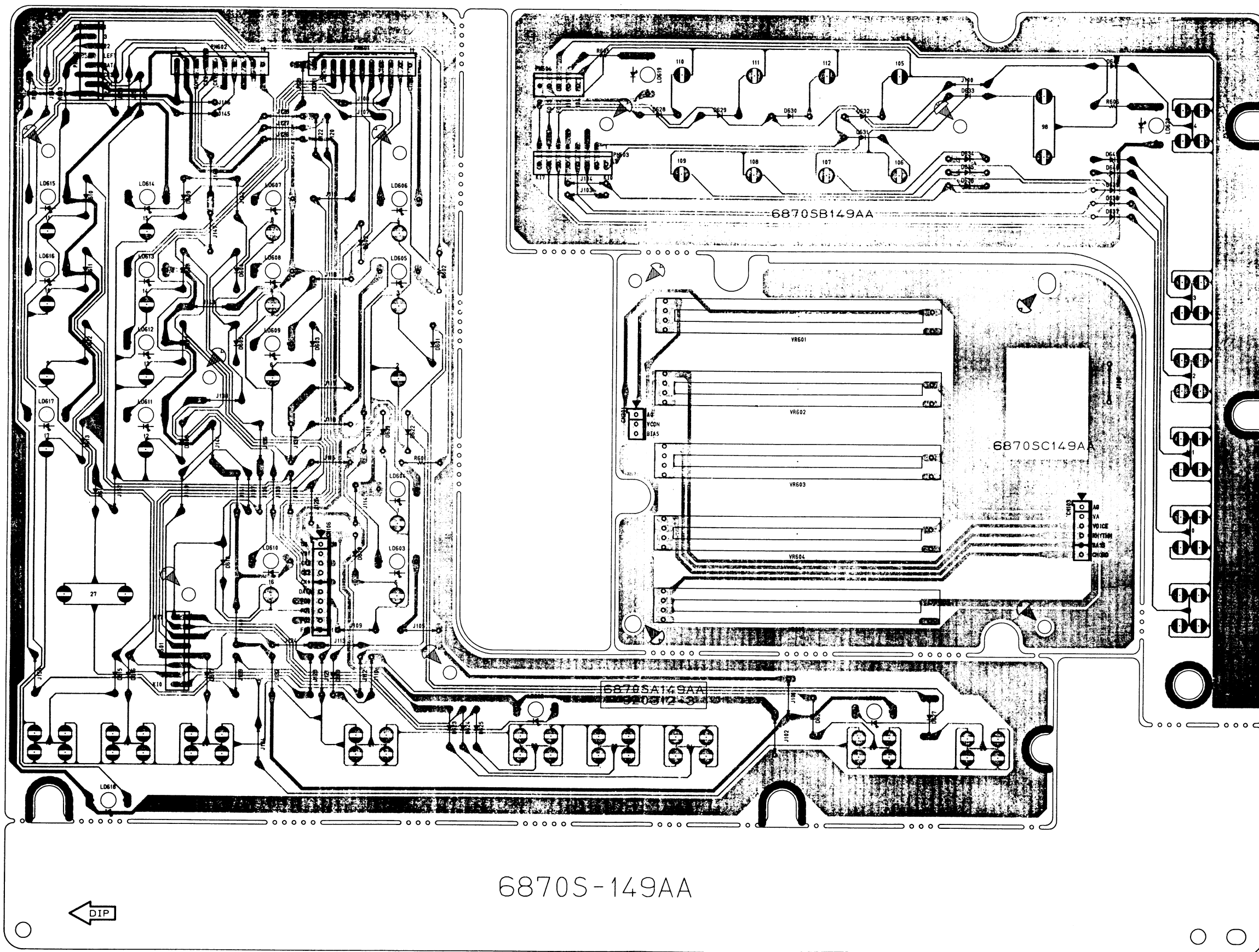
4.3. FUNCTION1 P.C. BOARD



GEK-S525

GEK-S525

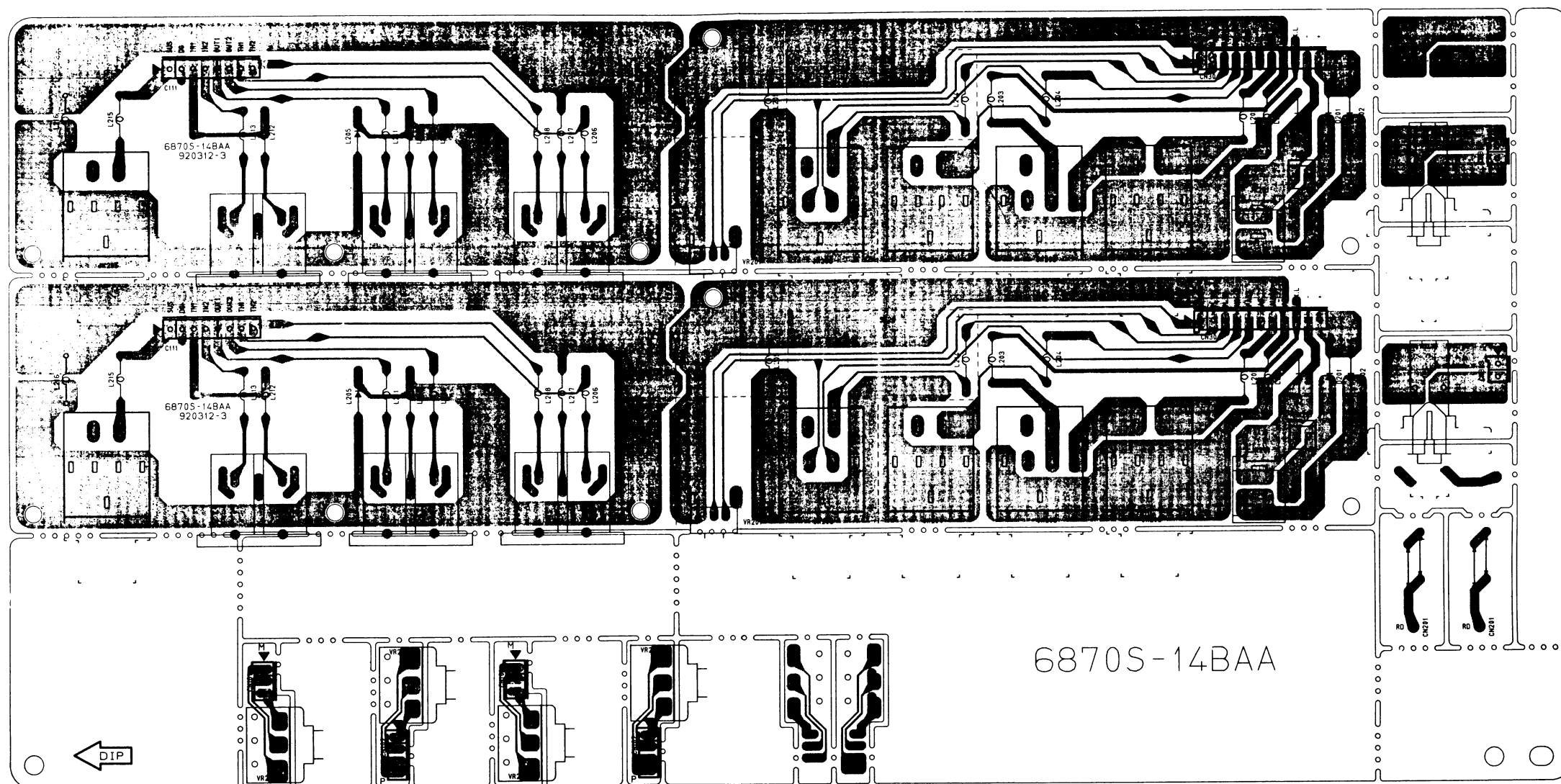
4.4 FUNCTION2 P.C. BOARD



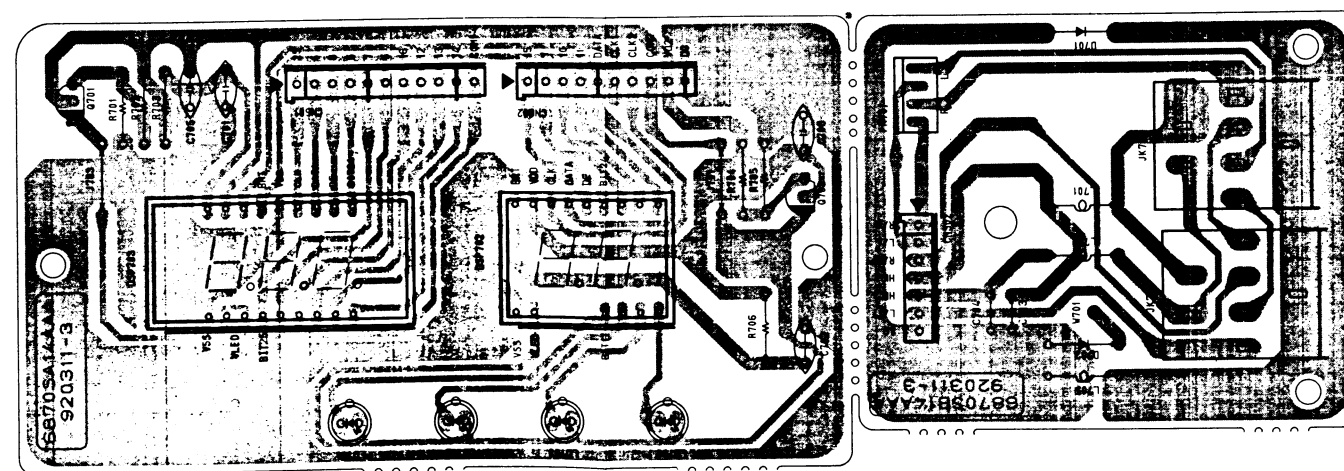
GEK-S525

GEK-S525

4.5 OTHER1 P.C. BOARD



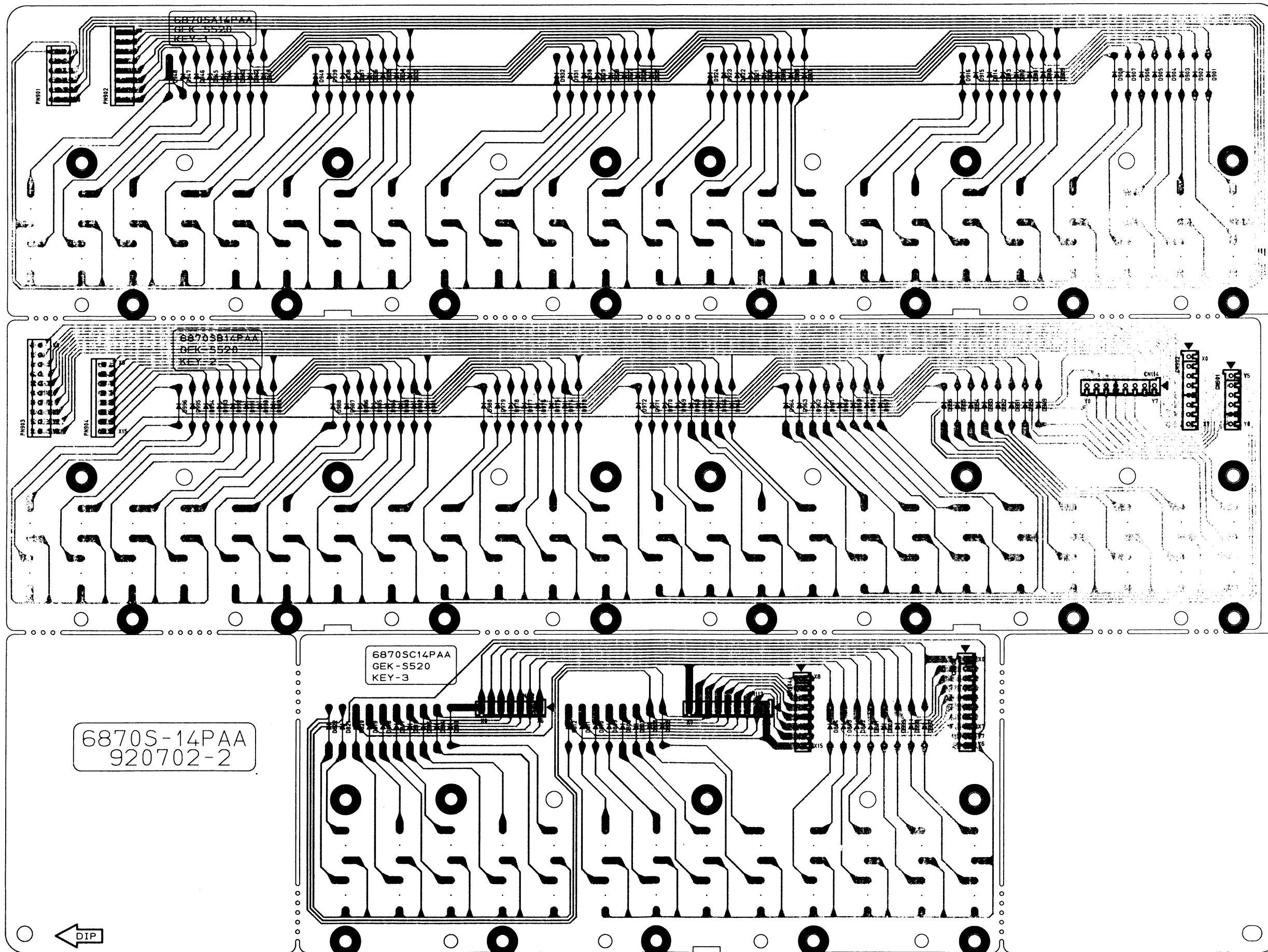
4.6 OTHER2 P.C. BOARD



GEK-S525

GEK-S525

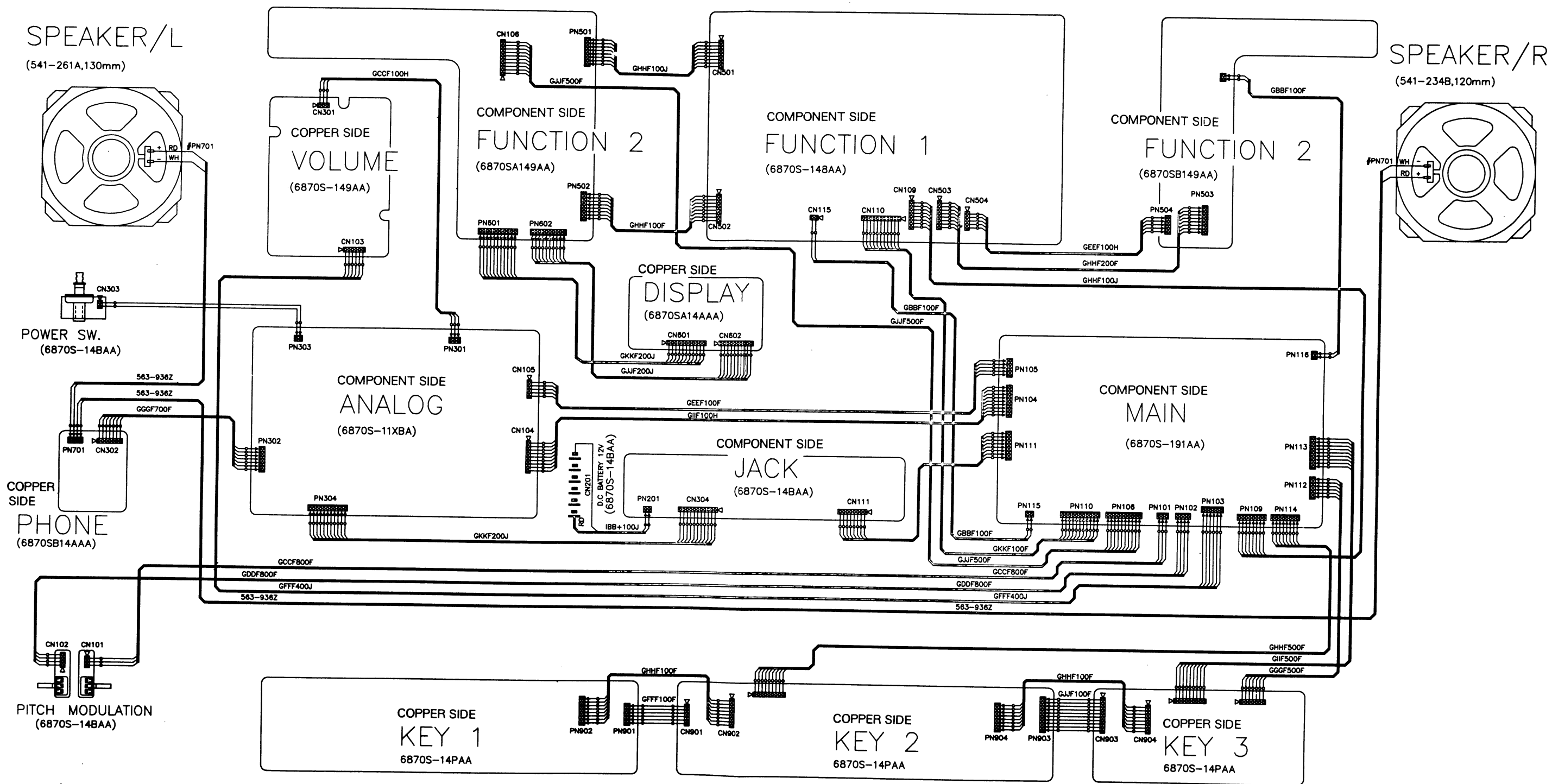
4.7. KEY P.C. BOARD



GEK - S525

GEK - S525

5. WIRING DIAGRAM



6. KEY MATRIX

6.1 FUNCTION

	Fi0	1	2	3	4	5	6	7
FO0	Riff	ABC off	Fingered	Easy	A.I.N	Chorus	Hall	Room
1	Custom Clear	Custom Record	Custom	Custom Chord2	Custom Chord1	Custom Bass	Custom Drum	Sustain
2	Custom Compare	Fill-3	Fill-2	Fill-1	Intro /Ending	Synchro Break	Synchro start	Start/Stop
3	Key-Percussion	Key Split	MIDI	-	-	-	-	-
4	Rhythm-	Rhythm1	Rhythm4	Rhythm7	Rhythm8	Rhythm5	Rhythm2	Rhythm+
5	Rhythm0	Rhythm3	Rhythm6	Rhythm9	Variation	Value-	Parameter-	Edit
6	Tempo-	Tempo+	Value+	Parameter+	Save	Voice4	Voice1	Voice-
7	Voice+	Voice2	Voice5	Voice8	Voice7	User Voice	Voice0	Voice3
8	E.Pad1	E.Pad2	E.Pad3	E.Pad3	E.Pad4	E.Pad5	Voice9	Voice6
9	Tone Split	Tone Mix	Trio	Duet	E.Pad10	E.Pad9	E.Pad7	E.Pad6
10	Mel2.Play	Mel1.Play	Mel1.Record	Mel2.Record	Accomp. Record	Bass Record	Pause	Song Select
11	Song Delete	Song Off	Bass Play	Accomp. Play	Velocity	-	-	-
12	-	Demo	Regist1	Regist2	Regist3	Regist4	Regist Memory	Effect/drum
13	Pitch-	Pitch+	Transpose+	Cancel	Unit	ASR	Enter	Transpose-

6.2 KEY

	X0	X1	X2	X3	X4	X5	X6	X7	X8	X9	X10	X11	X12	X13	X14	X15
Y0	C1	C1	C#1	C#1	D1	D1	D#1	D#1	C3	C3	C#3	C#3	D3	D3	D#3	D#3
Y1	E1	E1	F1	F1	F#1	F#1	G1	G1	E3	E3	F3	F3	F#3	F#3	G3	G3
Y2	G#1	G#1	A1	A1	A#1	A#1	B1	B1	G#3	G#3	A3	A3	A#3	A#3	B3	B3
Y3	C2	C2	C#2	C#2	D2	D2	D#2	D#2	C4	C4	C#4	C#4	D4	D4	D#4	D#4
Y4	E2	E2	F2	F2	F#2	F#2	G2	G2	E4	E4	F4	F4	F#4	F#4	G4	G4
Y5	G#2	G#2	A2	A2	A#2	A#2	B2	B2	G#4	G#4	A4	A4	A#4	A#4	B4	B4
Y6	C5	C5	C#5	C#5	D5	D5	D#5	D#5	E5	E5	F5	F5	F#5	F#5	G5	G5
Y7	G#5	G#5	A5	A5	A#5	A#5	B5	B4	C6	C6	-	-	-	-	-	-

7. MIDI IMPLEMENTATION CHART

Function		Transmitted	Recognized	Remarks
BASIC CHANNEL	Default	1	all	
	Changed	1-16	1-16 each	
MODE	Default Message Altered	MODE 3 OMNI OFF, POLY X	MODE 1 OMNI ON, POLY O	Rx : Only changeable MODE3
NOTE NUMBER	True voice	36-96	36-96 36-96	
VELOCITY	Note on Note off	0 9n, V=1-127 X 9n, V=0	O X	
AFTER TOUCH	Key's Ch's	X X	X X	
PITCH BENDER		O	O	
CONTROL CHANGE	1	*1	*1	Modulation Voice, Volume
	7	X	*1	
	64	*1	*1	Sustain
PROGRAM CHANGE	True #	0 0-99	0 0-99	
SYSTEM EXCLUSIVE		X	X	
SYSTEM COMMON	Song Pos	X	X	
	Song Sel	X	X	
	Tune	X	X	
SYSTEM REAL TIME	Clock Command	*1 O	*1 O	
SYSTEM	Local ON/OFF	X	X	When Split ON CH X : VOICE 1 ch 2 : voice 2
	Split ON/OFF	X	X	
	All Note OFF	X	X	
	Active Sense	X	X	
	Reset	X	X	
Notes		*1 O, X can be selectable		

MODE1 : OMNI ON POLY
MODE3 : OMNI OFF POLY

MODE2 : OMNI ON MONO
MODE4 : OMNI OFF MONO

O : YES
X : NO

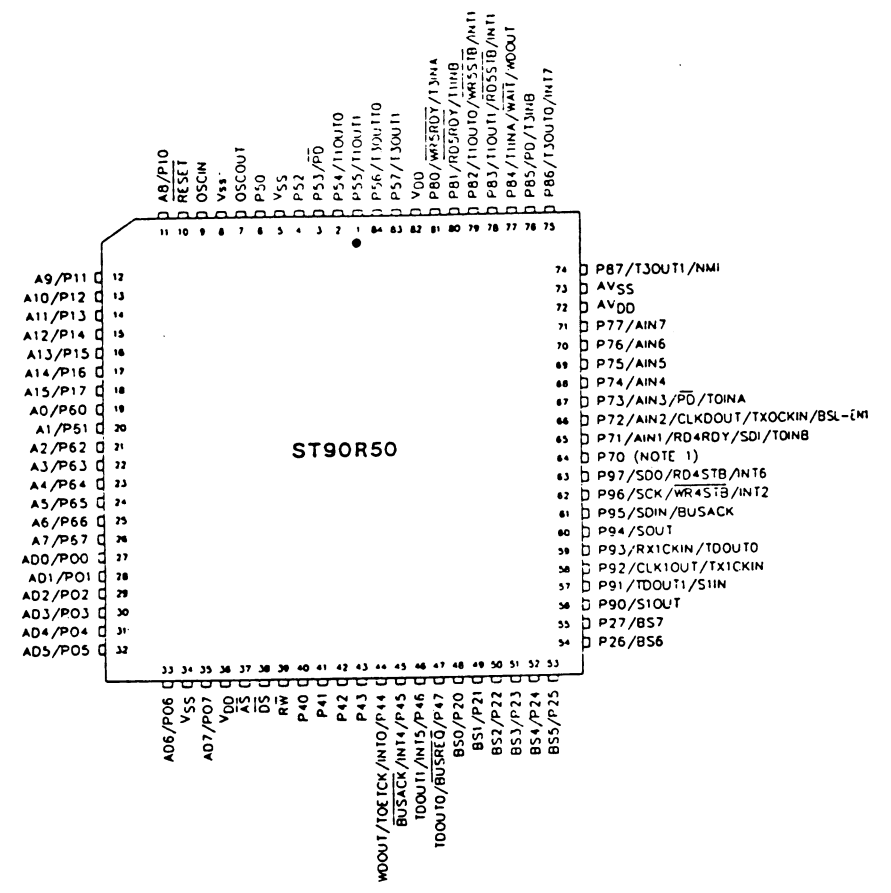
8. TROUBLESHOOTING GUIDE

SYMPTOM	REMEDY
I . System do not operate.	① Check the power source on Analog board. $V_s = +12V$ $V_{cc} = +7V$ $V_A = +5V$ $VD1 = +5V$ $VD2 = +5V$ ② Check the power source in digital board. ③ power down mode check. • Check the IC101 ⑦ whether the voltage is 5.1V. ④ Check reset circuit. ⑤ IC105, 106, 116, 121, 122, 123 check ⑥ 12MHz clock confirmation (pin 9 of IC101).
II . 7 segment display and LED does not operate.	① Check driver line (CK1, Data, CK2, CK3). ② Check pitch bend line (Pin 64 of IC101). ③ Check 7 segment and 74HC164 LED driver IC.
III . ① Function (Pannel) key do not operate. ② Keyboard do not operate.	① Check key (function) matrix. • K10~7 (F10~7) & F00~13 • Check 74HC154 (IC114). ② Check key matrix. • K10~7 & K00~7
IV . Distorted sound	① Check clock of IC102. • pin 33 12MHz ② Check data of IC107, 108, 109 and surrounding circuit (IC118, 119, 120). ③ Check analog convertor IC128 and data format convertor IC126, 127. ④ Check LPF circuit(IC129). ⑤ Check IC105, 102. ⑥ Power Amp (IC501, 502). ⑦ Pin 42 clock of IC103. ⑧ Check IC110, 111, 112, 117.
V . Midi in do not operate.	• Check IC113.
VI . Pitch Bend and Modulation do not operate.	• Check pitch bend & modulation connection.
VII . No volume control	• Check volume control line.
VIII . Always sustain	• Check pin 58 of IC101. • Normal +5V • Sustain pedal ON OV
IX . Pop noise generate	• Check IC303.
X . Distorted mic echo	• Check R380 Connected pin37 of IC312.

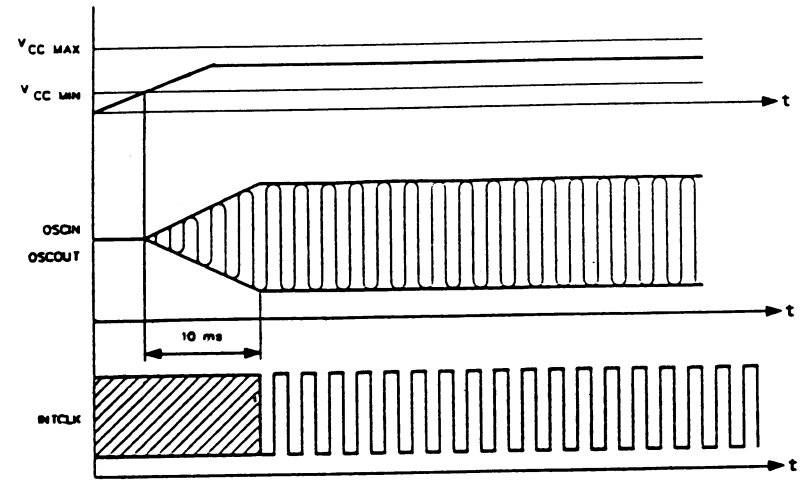
9. IC SPEC

9.1 IC101 ST90R50 (CPU)

① Pin Configuration



② Reset Timing Requirements from Halt State

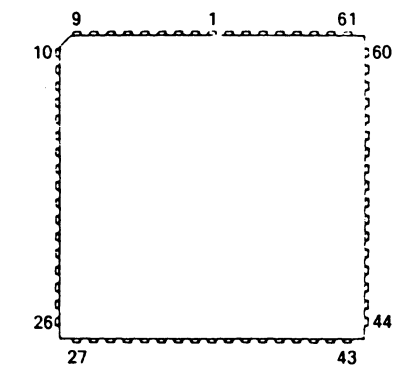


9.2 IC102 SAM8905 (Sound Generator)

① Pin Configuration

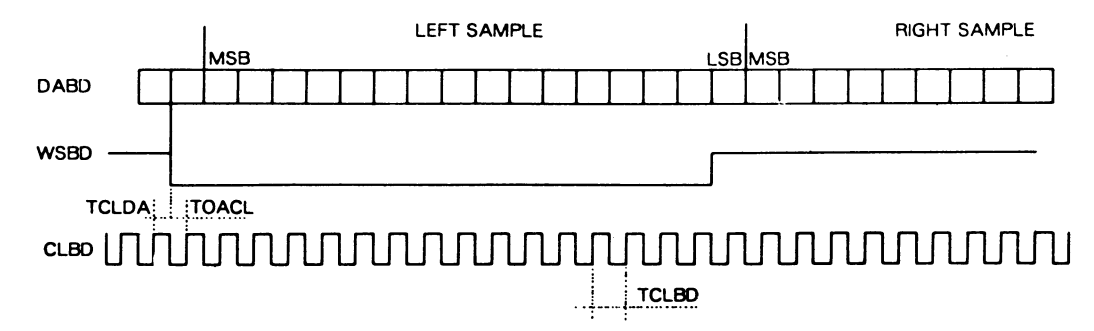
Pin-out :

1-GND	18-GND	35-GND	52-GND
2-WA16	19-D6	36-X2	53-WA3
3-WA15	20-D7	37-DABD	54-WD7
4-WWE/	21-CS/	38-CLBD	55-WA4
5-WA17	22-A0	39-WSBD	56-WCS/
6-WA18	23-A1	40-WD11	57-WAS
7-WA19	24-A2	41-WD10	58-WA13
8-WA0	25-INT	42-WD9	59-WA6
9-WA1	26-WR/	43-WD8	60-WOE/
10-VCC	27-VCC	44-VCC	61-VCC
11-WA2	28-RD/	45-WD3	62-WA7
12-D0	29-TEST1	46-WD2	63-WA14
13-D1	30-TEST2	47-WD4	64-WA8
14-D2	31-TEST3	48-WD1	65-WA12
15-D3	32-RESET/	49-WD5	66-WA9
16-D4	33-CKOUT	50-WD0	67-WA11
17-D5	34-X1	51-WD6	68-WA10



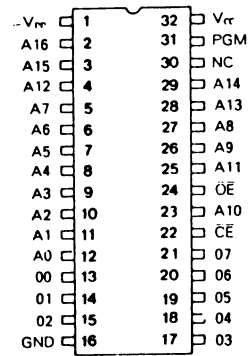
68 pins PLCC

② External DAC timing chart



9.3 IC105 M27C1001 (System Program ROM)

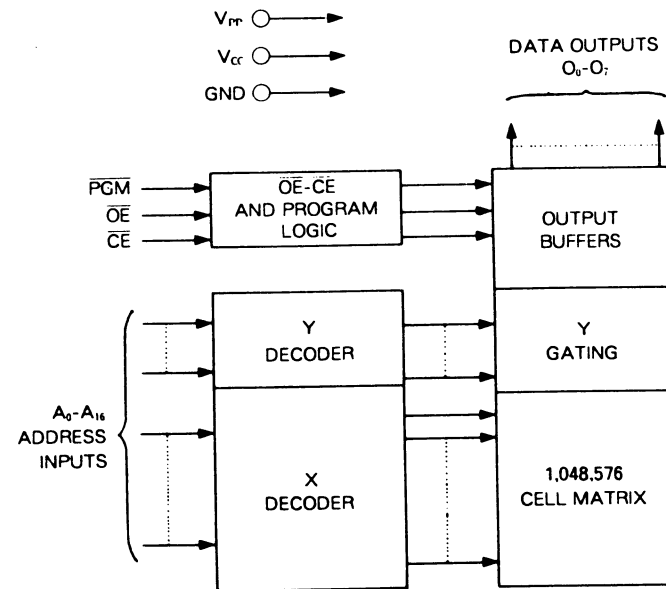
① Pin Connection



② Pin Functions

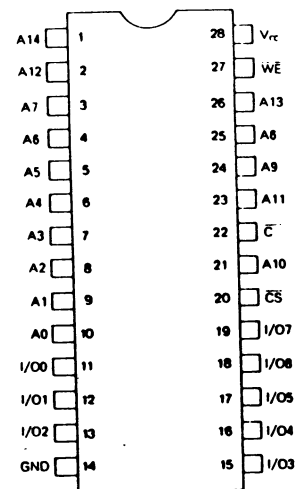
A0-A16	ADDRESS INPUT
CE	CHIP ENABLE
OE	OUTPUT ENABLE
PGM	PROGRAM
O0-O7	DATA INPUT/OUTPUT
NC	NON CONNECTED
V _{CC}	+5V POWER SUPPLY
V _{PP}	PROGRAMMING VOLTAGE

③ Block Diagram



9.4 IC106 GM76C256 (S-RAM)

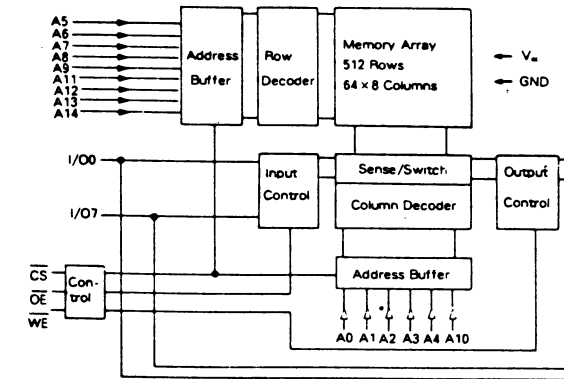
① Pin Configuration



② Pin Description

- A₀~A₁₄ : Address Input
- WE : Write Enable Input
- OE : Output Enable Input
- CS : Chip Select Input
- I/O₀~I/O₇ : Data Input/Output
- V_{CC} : Power Supply, +5V
- GND : Ground

③ Block Diagram



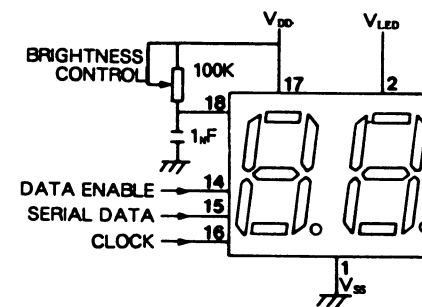
④ Truth Table

CS	WE	OE	Input/Outputs	Mode
H	X	X	High Z	Deselect Power Down
L	H	L	Data Out	Read
L	L	X	Data In	Write
L	H	H	High Z	Deselect

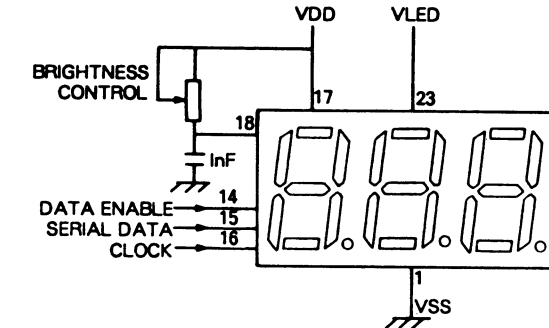
9.5 DSP702, 703 (Display)

① Typical Application

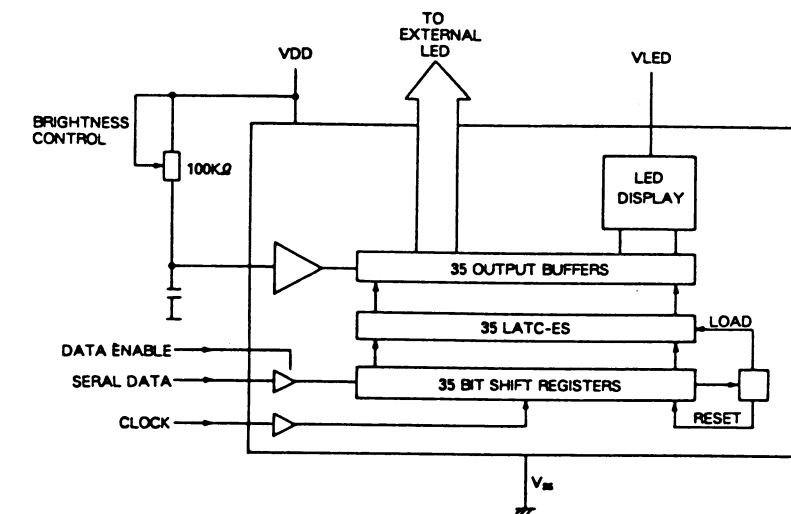
2 DIGIT DISPLAY



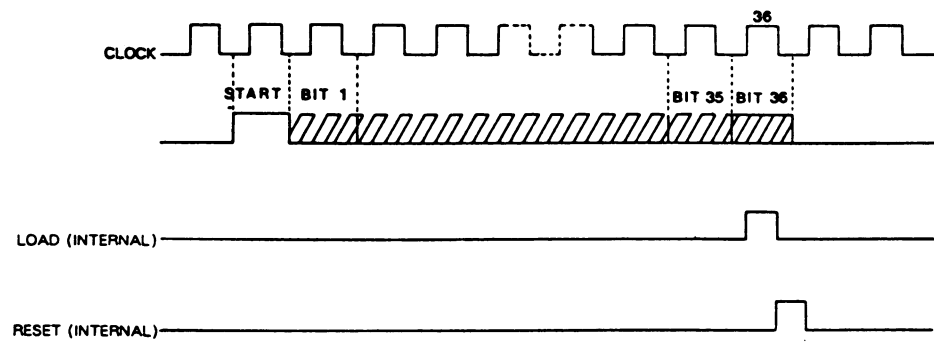
3 DIGIT DISPLAY



② Internal Block Diagram

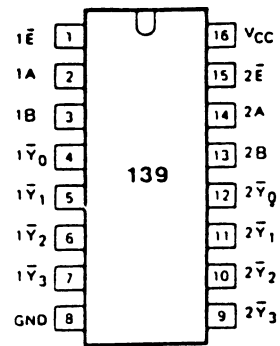


③ Timing Relationship



9.6 IC123 GD74HC139(Dual 2-To-4 Line Decoder/Demultiplexer)

① Pin Configuration

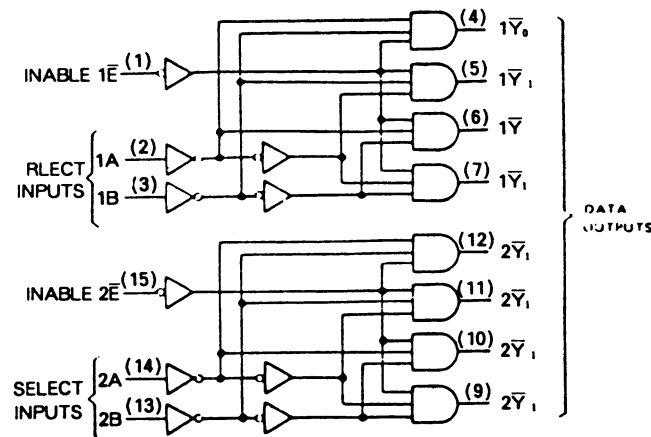


② Function Table

INPUTS			OUTPUTS			
nE	nA	nB	nY ₀	nY ₁	nY ₂	nY ₃
H	X	X	H	H	H	H
L	L	L	L	H	H	H
L	H	L	H	L	H	H
L	L	H	H	H	L	H
L	H	H	H	H	H	L

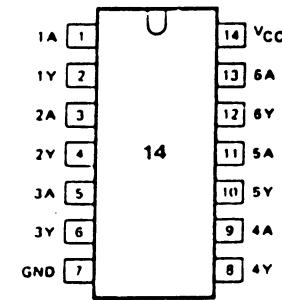
H=HIGH voltage level
L=LOW voltage level
X=don't care

③ Logic Diagram



9.7 IC116 M74HC14BIR(GD74HC14)

① Pin Configuration

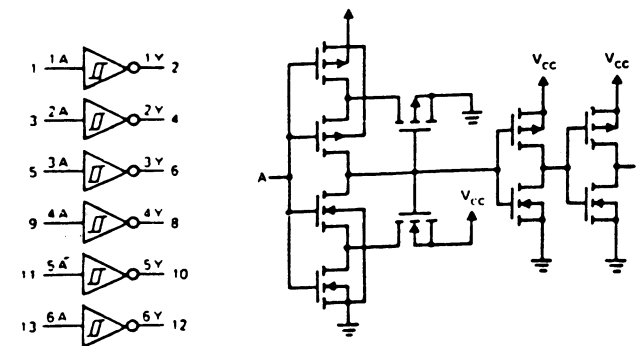


② Function Table

INPUT	OUTPUT
nA	nY
L	H
H	L

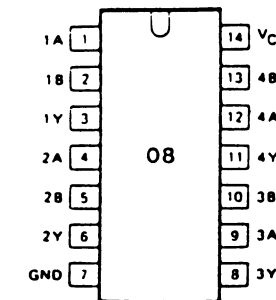
H=HIGH Voltage level
L=LOW Voltage level

③ Logic Symbol and Schematic Diagram



9.8 IC122 GD74HC08(Quad 2-input AND Gate)

① Pin Configuration

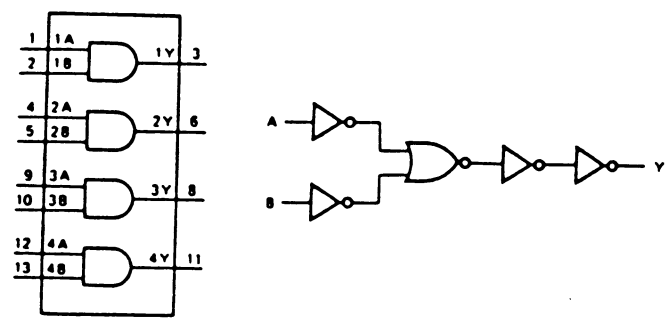


② Function Table

INPUTS		OUTPUT
nA	nB	nY
L	L	L
L	H	L
H	L	L
H	H	H

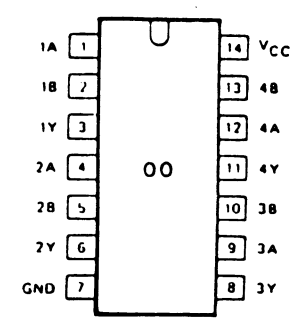
H=HIGH Voltage level
L=LOW voltage level

③ Logic Symbol and Logic Diagram



9.9 IC124 GD74HC00(Quad 2-Input NAND Gate)

① Pin Configuration

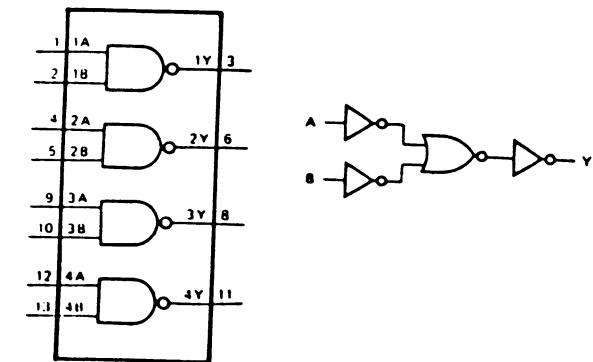


② Function Table

INPUTS		OUTPUT
nA	nB	nY
L	L	H
L	H	H
H	L	H
H	H	L

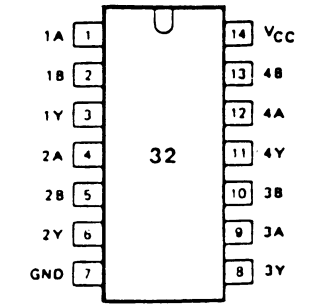
H=HIGH Voltage level
L=LOW voltage level

③ Logic Symbol and Logic Diagram



9.10 IC125 GD74HC32(Quad 2-input OR Gate)

① Pin Configuration

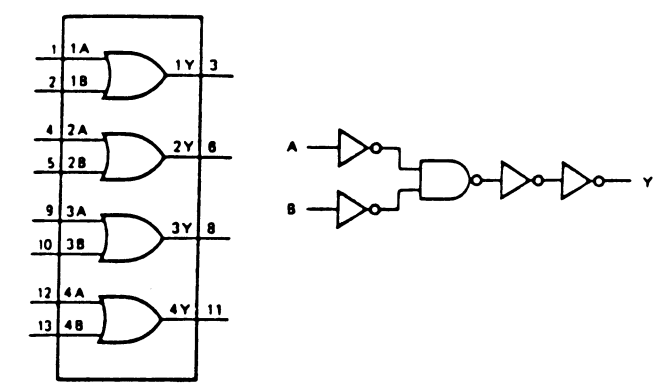


② Function Table

INPUTS		OUTPUT
nA	nB	nY
L	L	L
L	H	H
H	L	H
H	H	H

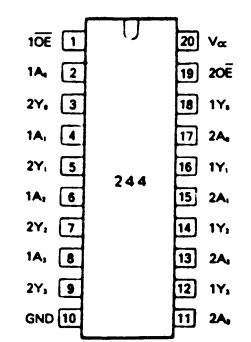
H=HIGH Voltage level
L=LOW voltage level

③ Logic Symbol and Logic Symbol



9.11 IC115, 118 GD74HC244(Octal Noninverting 3-state Buffers)

① Pin Configuration

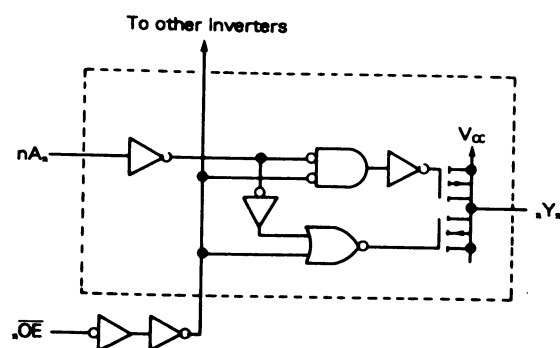


② Function Table

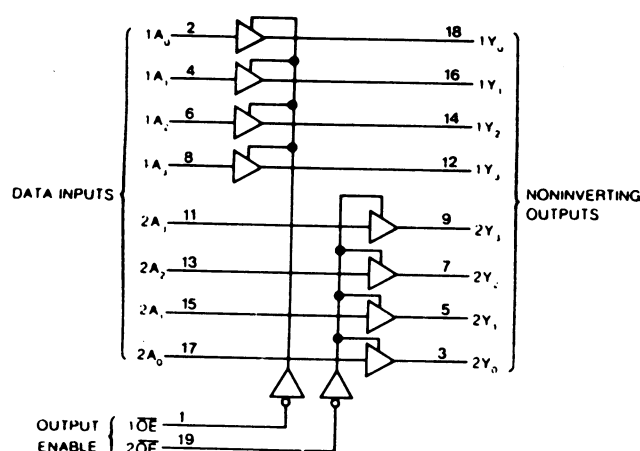
INPUTS		OUTPUT
nOE	nA _n	nY _n
L	L	L
L	H	H
H	X	Z

H=HIGH Voltage level
L=LOW voltage level
X=don't care
Z=high impedance OFF-state

③ Logic Diagram

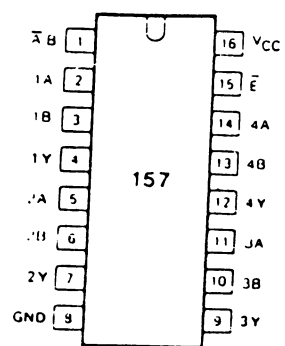


④ Logic Diagram



9.12 IC120 M74HC157BIR (GD74HC157)

① Pin Configuration

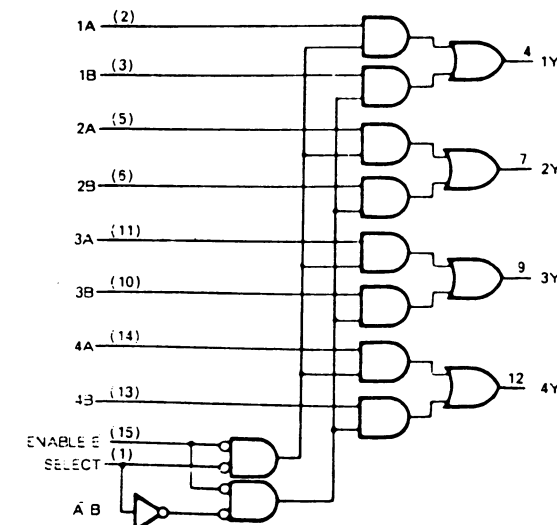


② Function Table

INPUTS				OUTPUT
\bar{E}	\bar{A}/B	nA	nB	nY
H	X	X	X	L
L	L	L	X	L
L	L	H	X	H
L	H	X	L	L
L	H	X	H	H

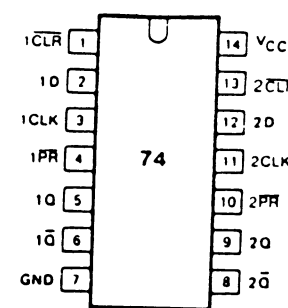
H=HIGH voltage level
L=LOW voltage level
X=don't care

③ Logic Diagram



9.13 IC126 GD74HCT74 (Dual D-Type Flip Flop)

① Pin Configuration



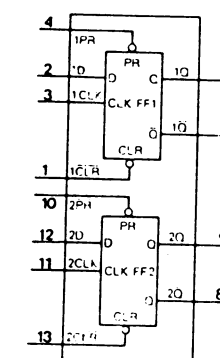
② Function Table

INPUTS				OUTPUTS	
PR	\bar{CLR}	CLK	nD	NQ	\bar{NQ}
L	H	X	X	H	L
H	L	X	X	L	H
L	L	X	X	H	H

INPUTS				OUTPUTS	
PR	\bar{CLR}	CLK	nD	Q_{N+1}	\bar{Q}_{N+1}
H	H	↑	L	L	H
H	H	↑	H	H	L

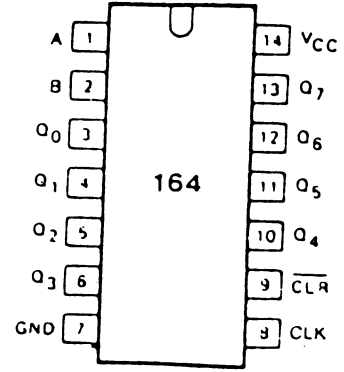
H=HIGH voltage level
L=LOW voltage level
X=don't care
↑=LOW-to-HIGH CLK transition
 Q_{N+1} =state after the next LOW-to-HIGH CLK transition

③ Logic Diagram



9.14 IC501~503 GD74HC164(8 Bit Serial-in/Parallel-out shift Register)

① Pin Configuration

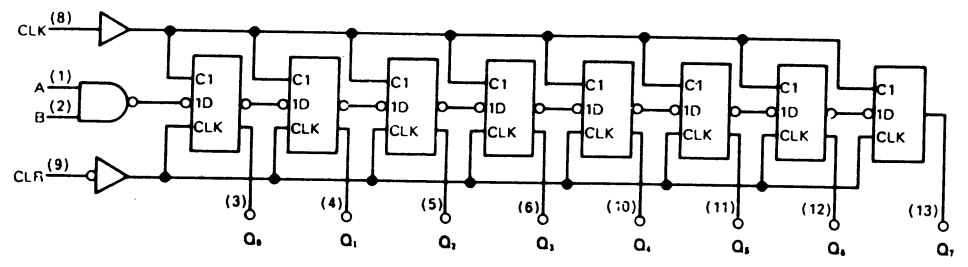


② Function Table

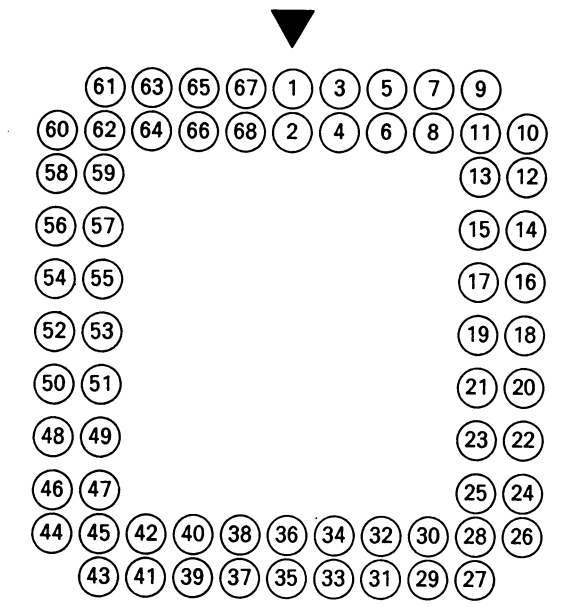
OPERATING MODES	INPUTS				OUTPUTS	
	CLR	CLK	A	B	Q ₀	Q ₁ -Q ₇
reset (clear)	L	X	X	X	L	L-L
shift	H	↑	l	l	L	Q ₀ -Q ₆
	H	↑	l	h	l	Q ₀ -Q ₀
	H	↑	h	l	L	Q ₀ -Q ₆
	H	↑	h	h	H	Q ₀ -Q ₀

h=HIGH voltage level one set-up time prior to the LOW-to-HIGH clock transtion
 l=LOW voltage level one set-up time prior to the LOW-to-HIGH clock transtion
 q=lower case letters indicate the state of the referenced input one set-up time prior to the LOW-to-HIGH clock transtion

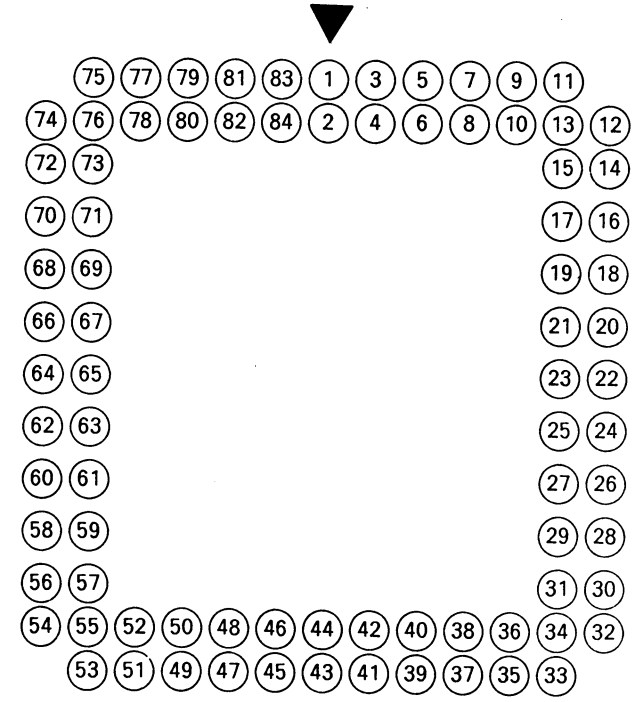
③ Logic Diagram



9.15 PLCC IC PIN DESCRIPTION (Bottom side)



IC102



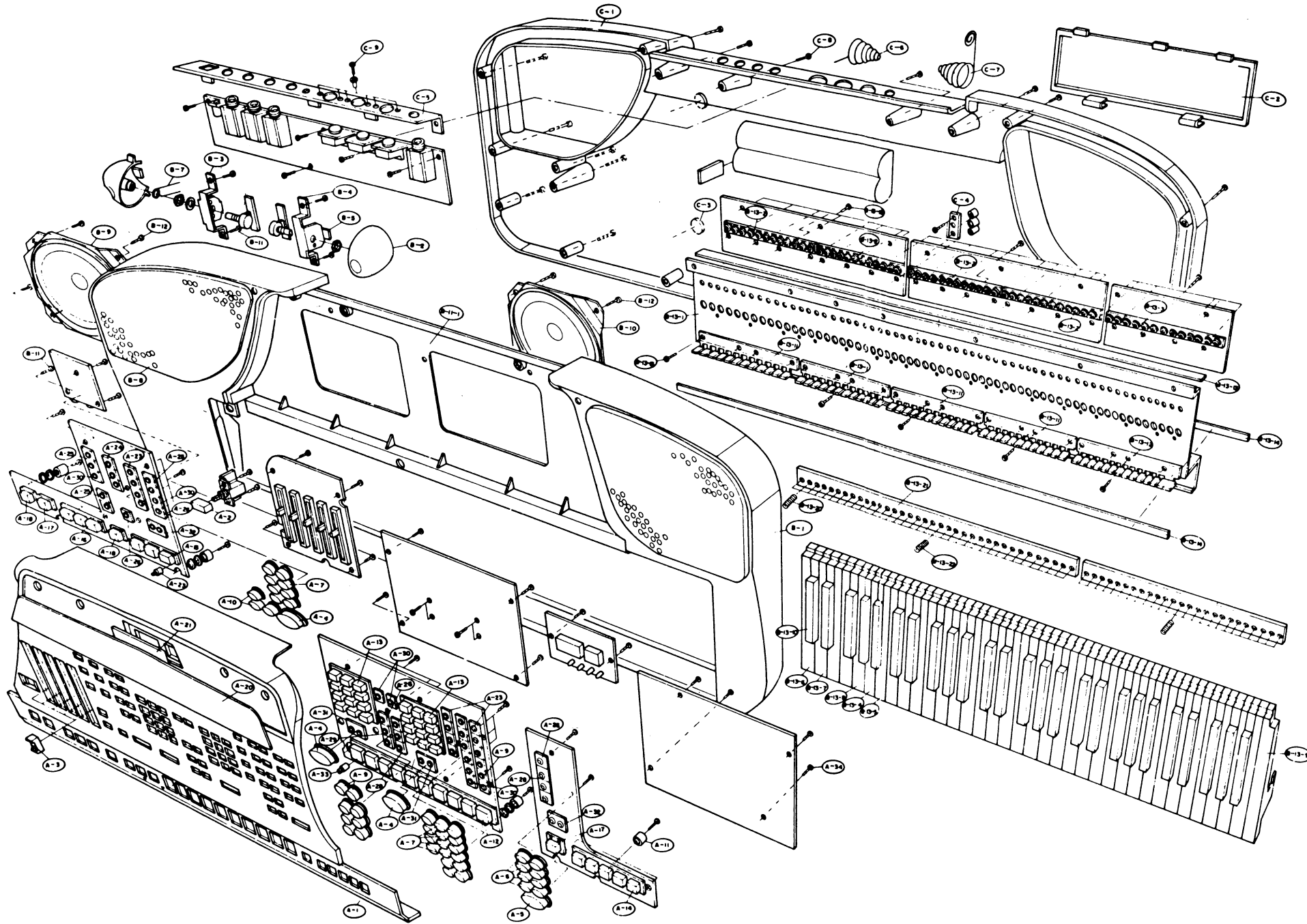
IC101

GEK-S525

GEK-S525

10. EXPLODED VIEW/PARTS LIST

SP : Serviceable Part
NSP : Not Serviceable Part



REF. NO.	PART NO.	DESCRIPTION	QTY	REMARK	LOCATION
A	215-203G	Case Assembly, Upper	1	NSP	-
A-1	217-164H	Case, Upper	1	SP	H3
A-2	4940S-0130A	Knob, Power	1	SP	E2
A-3	4940S-0131A	Knob, Volume	5	SP	G1
A-4	4940S-0132A	Knob, Function2 (D.Gray)	3	SP	F3
A-5	4940S-0132B	Knob, Function2(Yellow)	1	SP	H4
A-6	4940S-0133A	Knob, Function1(D.Gray)	38	SP	G4
A-7	4940S-0133B	Knob, Function1(L.Gray)	5	SP	E3
A-8	4940S-0133C	Knob, Function1(Blue)	3	SP	G2
A-9	4940S-0133D	Knob, Function1(Violet)	2	SP	G3
A-10	4940S-0133E	Knob, Function1(Green)	2	SP	F2
A-11	324-145A	Holder, Supporter	9	SP	G5
A-12	477-050A	Rubber, Effect Pad	1	SP	G5
A-13	477-051A	Rubber, Function	2	SP	E3
A-14	477-052A	Rubber, Registration	1	SP	H5
A-15	477-053A	Rubber, Fill-in	1	SP	E2
A-16	477-053B	Rubber, Knob-3(B)	1	SP	E1
A-17	477-054A	Rubber, Hold	2	SP	E1
A-18	477-054B	Rubber, Knob-1(B)	2	SP	E1
A-20	258-465F	Panel, Display 1	1	SP	F2
A-21	258-466C	Panel, Display 2	1	SP	F2
A-22	477-055A	Rubber, Switch 1	1	SP	E4
A-23	477-055B	Rubber, S/W-L4	3	SP	E2
A-24	477-055C	Rubber, S/W-L3	1	SP	E2
A-25	477-055D	Rubber, S/W-L2	3	SP	E1
A-26	477-055E	Rubber, S/W-L1	1	SP	E2
A-27	477-056A	Rubber, Switch 2	1	SP	G5
A-28	477-056B	Rubber, S/W-S3	2	SP	G3
A-29	477-056C	Rubber, S/W-S2	2	SP	G3
A-30	477-056D	Rubber, S/W-S1	5	SP	E1
A-31	477-057A	Rubber, S/W-1	2	SP	F3
A-32	477-057B	Rubber, S/W-S	2	SP	E2
A-33	477-058A	Rubber, LED	2	SP	G3
A-34	353-025G	Screw, Special 3 x 10	42	SP	G6
B	215-204B	Case Assembly, Speaker	1	NSP	-
B-1	217-274A	Case, Speaker	1	SP	E6
B-2	433-021A	Wheel, Modulation	2	SP	C3
B-3	321-785A	Bracket, Wheel	1	SP	B2
B-4	321-785B	Bracket, Wheel Left	1	SP	C3
B-5	472-010Q	Felt, Bracket	5	SP	C3
B-6	472-010R	Felt, Wheel	4	SP	D2
B-7	441-050A	Spring Coil, Wheel	1	SP	B2
B-8	472-010T	Felt, Speaker	2	SP	D2
B-9	541-261A	Speaker, 130mm	1	SP	C1
B-10	541-234B	Speaker, 120mm	1	SP	D5
B-11	353-025G	Screw, Special 3 x 10	12	SP	B2
B-12	353-052D	Screw, Tapping 4 x 8	13	SP	C2
B-13	357-081A	Key Assembly	1	SP	C8
B-13-1	256-230A	Plate, KB Frame	1	SP	D5
B-13-2	477-090A	Rubber, Switch G	4	SP	D8
B-13-3	477-090B	Rubber, Switch H	1	SP	D8
B-13-4	357-020A	Key-A	5	SP	F6
B-13-5	357-021A	Key-BE	10	SP	F6
B-13-6	357-022A	Key-CF	10	SP	F6
B-13-7	357-023A	Key-D	5	SP	F6
B-13-8	357-024A	Key-G	5	SP	C8
B-13-9	357-025A	Key-S	1	SP	G9
B-13-10	357-073A	Key-BK	25	SP	F6
B-13-11	256-908A	Plate, Guide A	4	SP	D6
B-13-12	256-909A	Plate, Guide B	1	SP	C6
B-13-13	334-010A	Stopper, Key	1	SP	D9
B-13-14	472-029A	Felt Stopper	2	SP	E8
B-13-15	353-075A	Screw, 3 x 5	48	SP	C6
B-13-20	444-014A	Spring	25	SP	E6
B-13-21	447-015B	Cushion, KB Damper	1	SP	E7
B-13-22	441-001B	Spring Coil	36	SP	E7
C	215-205I	Case Assembly, Lower	1	NSP	-
C-1	217-275G	Cover, Lower	1	SP	B5
C-2	221-165A	Cover, Battery	1	SP	B9
C-3	265-008A	Foot, Rubber	5	SP	C5
C-4	256-231A	Stand Plate	2	SP	C7
C-5	321-486A	Bracket, Midi	1	SP	B3
C-6	442-550A	Spring	1	SP	B6
C-7	442-924F	Spring	1	SP	B7
C-8	353-052E	Screw, 4 x 18	22	SP	B6
C-9	355-011A	Rivet	6	SP	B3
C-10	353-025G	Screw, Special 3 x 10	11	SP	B5

NOTE : REF. No. shows a group unit of assembly.

GEK-S525

[REPLACEMENT PARTS LIST]				PAGE : 1		
MODEL : GEK-S525 BG2		SET PART NO : 117-013B		RUN-DATE : 93.07.27		
S	AL	LOCA.NO	PART NO(GS)	DESCRIPTION	SPECIFICATION	REMARKS
			215-203G	CASE ASSY	UPPER (BG2) S525	
			215-204B	CASE ASSY	CASE SPEAKER (GEK-S520)	
			215-205I	CASE ASSY	LOWER (BG2) S325	
			217-164H	CASE	UPPER (S525 W1)	
			217-274A	CASE	SPEAKER (GEK-S420,S520,S320)	
			217-275G	CASE	LOWER (S520)	
			221-165A	COVER	BATTERY (GEK-S420,S520,S320)	
			256-231A	PLATE	STAND PLATE	
			258-465F	PANEL	DISPLAY1(S525.ENG)	
			258-466C	PANEL	DISPLAY2 (S525 W1)	
			263-006A	STAND	BOOK STAND(MD)	
			263-007A	STAND	BOOK STAND(PRESS)	
			265-008A	FOOT	FOOT RUBBER	
			273-940A	KNOB	REC VOL (FK-830KW1,W-8100)	
			3140S-0900A	CHASSIS	CHASSIS (STANDARD,61 KEY)	
			321-486A	BRACKET	MIDI	
			321-785A	BRACKET	WHEEL	
			321-785B	BRACKET	WHEEL LEFT	
			324-086A	HOLDER	SUPPORTOR	
			324-145A	HOLDER	SUPPORTOR	
			324-145A	HOLDER	SUPPORTOR	
			328-190B	BAND NYLON	BAND TIE	
			353-025G	SCREW	SPECIAL 3X10 FZMY	
			353-025G	SCREW	SPECIAL 3X10 FZMY	
			353-052E	SCREW	* TAPPING,WASHER 4X18 FZMY	
			353-052E	SCREW	* TAPPING,WASHER 4X18 FZMY	
			353-075A	SCREW	* TAP TITE.WASHER 3X5 FZMY	
			353-075B	SCREW	M3X16 FZMY (TAP TITE)	
			355-011A	RIVET	RIVET PLASTIC (03)	
			357-070A	KEY	KEY C.E.G.B	
			357-071A	KEY	KEY D.F.A,C1	
			357-072A	KEY	KEY D.F.A	
			357-073A	KEY	KEY BLACK	
			357-081A	KEY	STD CHASSIS AY (ACTIVE)	
			384-200A	GUIDE	GUIDE (OUTSERT)	
			384-201A	GUIDE	GUIDE (OUTSERT,S)	
			3874S-5019C	MANUAL, OPERATION	GEK-S525BG2	
			3890S-C007G	BOX	(GEK-S525 BG2)	
			433-021A	WHEEL	MODULATION (GEK-S710)	
			441-050A	SPRING COIL	WHEEL (GEK-S420)	
			442-550A	SPRING	FOR"D"CELL BATT(-)H=32,STS	
			442-924F	SPRING	FOR"D"CELL BATT(+,-)H=32,STS	
			447-013R	CUSHION	(4X45X230)	
			447-013R	CUSHION	(4X45X230)	
			447-013S	CUSHION	(4X40X100)	
			472-010P	FELT		
			472-010T	FELT	SPEAKER (GEK-S420)	
			472-010U	FELT	CASE (GEK-S420)	
			472-010V	FELT	(0.3X8X27)	
			472-010X	FELT	(GEK-S600)	

[REPLACEMENT PARTS LIST]

PAGE : 2

MODEL : GEK-S525 BG2

SET PART NO : 117-013B

RUN-DATE : 93.07.27

S	AL	LOCA.NO	PART NO(GS)	DESCRIPTION	SPECIFICATION	REMARKS
			472-010Y	FELT	(GEK-S600)	
			472-029A	FELT	FELT STOPPER	
			477-050A	RUBBER	EFFECT,PAD	
			477-051A	RUBBER	FUNCTION	
			477-052A	RUBBER	REGISTRATION	
			477-053A	RUBBER	FILL-IN	
			477-053B	RUBBER	KNOB-3(B)	
			477-054A	RUBBER	HOLD	
			477-054B	RUBBER	KNOB-1(B)	
			477-054C	RUBBER	INTRO/ENDING	
			477-054D	RUBBER	KEY SPLIT	
			477-055A	RUBBER	SWITCH1	
			477-055B	RUBBER	S/W-L4	
			477-055C	RUBBER	S/W-L3	
			477-055D	RUBBER	S/W-L2	
			477-055E	RUBBER	S/W-L1	
			477-056A	RUBBER	SWITCH2	
			477-056B	RUBBER	S/W-S3	
			477-056C	RUBBER	S/W-S2	
			477-056D	RUBBER	S/W-S1	
			477-057A	RUBBER	SW-1	
			477-057B	RUBBER	S/W-S	
			477-058A	RUBBER	LED	
			477-090A	RUBBER	RUBBER SWITCH (24)	
			477-090B	RUBBER	RUBBER SWITCH (26)	
			4940S-0130A	KNOB	POWER (GEK-S420)	
			4940S-0131A	KNOB	VOLUME(GEK-S420)	
			4940S-0132A	KNOB	FUNCTION 2 (D.GRAY)	
			4940S-0132B	KNOB	FUNCTION 2 (YELLOW)	
			4940S-0133A	KNOB	FUNCTION 1 (D.GRAY)	
			4940S-0133B	KNOB	FUNCTION 1 (L.GRAY)	
			4940S-0133C	KNOB	FUNCTION 1 (BLUE)	
			4940S-0133D	KNOB	FUNCTION 1 (VIOLET)	
			4940S-0133E	KNOB	FUNCTION 1 (GREEN)	
			541-234B	SPEAKER	120MM F-RANGE,80HM/5W(GEK-S420)	
			541-261A	SPEAKER	130MM WF,80HM/20W (GEK-S420)	
			542-044B	MICRO PHONE	DYNAMIC ACC-M3 PLUG 6.4MM	
			562-011A	LUG	LUG CLIP L=94 05	
			562-011A	LUG	LUG CLIP L=94 05	
			562-050N	LUG	LUG	
			564-007A	PLUG CONTACT CORD,PHONE	CORD,LINE OUT 1185#26 L=3.0M	
			573-063B	SOCKET	IC SOCKET PLCC 68PIN	
			573-063C	SOCKET	IC SOCKET PLCC 84PIN	
			596-950C	AC/DC POWER ADAPTER	230V 50HZ DC12V 2A SEMKO,PH	
			6871S-11XBA	PWB ASSY	ANALOG,GEK-S525	
			6871S-14AAD	PWB ASSY	OTHER1,GEK-S525	
			6871S-14BAD	PWB ASSY	OTHER2,GEK-S525	
			6871S-14PAA	PWB ASSY	(GEK-S520) 330X247	
			6871S-148AD	PWB ASSY	FUNCTION1,GEK-S525	
			6871S-149AD	PWB ASSY	FUNCTION2,GEK-S525	

[REPLACEMENT PARTS LIST]

PAGE : 3

MODEL : GEK-S525 BG2

SET PART NO : 117-013B

RUN-DATE : 93.07.27

S	AL	LOCA.NO	PART NO(GS)	DESCRIPTION	SPECIFICATION	REMARKS
			6871S-191AA	PWB ASSY	MAIN,GEK-S525	
		CN101	GCCF800F	CONNECTOR ASSY	C,AY GS IL-G03/IL-J03(21)800	
		CN102	GDDF800F	CONNECTOR ASSY	C,AY GS IL-G04/IL-J04(21)800	
		CN112	GGGF500F	WIRE	*C,AY GS IL-G07/IL-J07 (21)500	
		CN114	GHHF500F	WIRE	*C,AY GL IL-G08/IL-J08 (21)500	
		CN302	GGGF700F	CONNECTOR ASSY	C,AY GS IL-G07/IL-J07(21)700	
		CN304	GKKF200J	CONNECTOR ASSY	C,AY GS IL-G11/IL-J11(21)280	
		C101	OCN1040K948	CAPACITOR,TUBULAR(HIGH DIELEC)	0.1UF 50V Z F TA26	
		C102	OCE1056K618	CAPACITOR,ELECTROLYTIC	1.0M SMS 50V M FL TP(5)	
		C103	OCN1040K948	CAPACITOR,TUBULAR(HIGH DIELEC)	0.1UF 50V Z F TA26	
		C104	624-034D	CAPACITOR ELECTROLYTIC DOIB	GOLD,ECCF5RSU104 0.1F/5.5V	
		C105	OCN1040K948	CAPACITOR,TUBULAR(HIGH DIELEC)	0.1UF 50V Z F TA26	
		C106	OCN1040K948	CAPACITOR,TUBULAR(HIGH DIELEC)	0.1UF 50V Z F TA26	
		C107	OCN1040K948	CAPACITOR,TUBULAR(HIGH DIELEC)	0.1UF 50V Z F TA26	
		C108	OCN1040K948	CAPACITOR,TUBULAR(HIGH DIELEC)	0.1UF 50V Z F TA26	
		C109	OCE4746K618	CAPACITOR,ELECTROLYTIC	0.47M SMS 50V M FL TP(5)	
		C120	OCN1040K948	CAPACITOR,TUBULAR(HIGH DIELEC)	0.1UF 50V Z F TA26	
		C121	OCN1040K948	CAPACITOR,TUBULAR(HIGH DIELEC)	0.1UF 50V Z F TA26	
		C122	OCN1040K948	CAPACITOR,TUBULAR(HIGH DIELEC)	0.1UF 50V Z F TA26	
		C123	OCX2000K418	CAPACITOR TUBULA(T.C)	20P 50V J NPO TA26	
		C124	OCX2000K418	CAPACITOR TUBULA(T.C)	20P 50V J NPO TA26	
		C125	OCN1040K948	CAPACITOR,TUBULAR(HIGH DIELEC)	0.1UF 50V Z F TA26	
		C127	OCN1040K948	CAPACITOR,TUBULAR(HIGH DIELEC)	0.1UF 50V Z F TA26	
		C128	OCN1040K948	CAPACITOR,TUBULAR(HIGH DIELEC)	0.1UF 50V Z F TA26	
		C129	OCN1040K948	CAPACITOR,TUBULAR(HIGH DIELEC)	0.1UF 50V Z F TA26	
		C130	OCN1040K948	CAPACITOR,TUBULAR(HIGH DIELEC)	0.1UF 50V Z F TA26	
		C131	OCN1040K948	CAPACITOR,TUBULAR(HIGH DIELEC)	0.1UF 50V Z F TA26	
		C132	OCN1040K948	CAPACITOR,TUBULAR(HIGH DIELEC)	0.1UF 50V Z F TA26	
		C133	OCN1040K948	CAPACITOR,TUBULAR(HIGH DIELEC)	0.1UF 50V Z F TA26	
		C134	OCN1040K948	CAPACITOR,TUBULAR(HIGH DIELEC)	0.1UF 50V Z F TA26	
		C135	OCN1040K948	CAPACITOR,TUBULAR(HIGH DIELEC)	0.1UF 50V Z F TA26	
		C136	OCN1040K948	CAPACITOR,TUBULAR(HIGH DIELEC)	0.1UF 50V Z F TA26	
		C137	OCN1040K948	CAPACITOR,TUBULAR(HIGH DIELEC)	0.1UF 50V Z F TA26	
		C138	OCN1040K948	CAPACITOR,TUBULAR(HIGH DIELEC)	0.1UF 50V Z F TA26	
		C139	OCN1040K948	CAPACITOR,TUBULAR(HIGH DIELEC)	0.1UF 50V Z F TA26	
		C140	OCN1040K948	CAPACITOR,TUBULAR(HIGH DIELEC)	0.1UF 50V Z F TA26	
		C141	OCN1040K948	CAPACITOR,TUBULAR(HIGH DIELEC)	0.1UF 50V Z F TA26	
		C142	OCN1040K948	CAPACITOR,TUBULAR(HIGH DIELEC)	0.1UF 50V Z F TA26	
		C143	OCN1040K948	CAPACITOR,TUBULAR(HIGH DIELEC)	0.1UF 50V Z F TA26	
		C144	OCN1040K948	CAPACITOR,TUBULAR(HIGH DIELEC)	0.1UF 50V Z F TA26	
		C145	OCN1040K948	CAPACITOR,TUBULAR(HIGH DIELEC)	0.1UF 50V Z F TA26	
		C146	OCX2000K418	CAPACITOR TUBULA(T.C)	20P 50V J NPO TA26	
		C147	OCX2000K418	CAPACITOR TUBULA(T.C)	20P 50V J NPO TA26	
		C148	OCN1040K948	CAPACITOR,TUBULAR(HIGH DIELEC)	0.1UF 50V Z F TA26	
		C149	OCE1066K618	CAPACITOR,ELECTROLYTIC	10M SMS 50V M FM5 TP(5)	
		C150	OCE2276F618	CAPACITOR,ELECTROLYTIC	220M SMS 16V M FM5 TP(5)	
		C151	OCE2276F618	CAPACITOR,ELECTROLYTIC	220M SMS 16V M FM5 TP(5)	
		C152	OCC4710K505	CAPACITOR CERAMIC(TEMP COMP)	470P 50V K SL TS	
		C153	OCC4710K505	CAPACITOR CERAMIC(TEMP COMP)	470P 50V K SL TS	
		C154	OCQ2221N509	CAPACITOR POLYESTER(MYLAR)	0.0022U 100V K POLY TP	

[REPLACEMENT PARTS LIST]

PAGE : 4

MODEL : GEK-S525 B62

SET PART NO : 117-013B

RUN-DATE : 93.07.27

S	AL	LOCA.NO	PART NO(GS)	DESCRIPTION	SPECIFICATION	REMARKS
		C155	OCC1010K415	CAPACITOR,CERAMIC(TEMP COMP)	100P 50V J NPO TS	
		C156	OCC1010K415	CAPACITOR,CERAMIC(TEMP COMP)	100P 50V J NPO TS	
		C157	OCQ2221N509	CAPACITOR POLYESTER(MYLAR)	0.0022U 100V K POLY TP	
		C158	OCE2276F618	CAPACITOR,ELECTROLYTIC	220M SMS 16V M FM5 TP(5)	
		C159	OCN1040K948	CAPACITOR,TUBULAR(HIGH DIELEC)	0.1UF 50V Z F TA26	
		C162	OCE2276F618	CAPACITOR,ELECTROLYTIC	220M SMS 16V M FM5 TP(5)	
		C163	OCN1040K948	CAPACITOR,TUBULAR(HIGH DIELEC)	0.1UF 50V Z F TA26	
		C164	OCE2276F618	CAPACITOR,ELECTROLYTIC	220M SMS 16V M FM5 TP(5)	
		C165	OCN1040K948	CAPACITOR,TUBULAR(HIGH DIELEC)	0.1UF 50V Z F TA26	
		C167	OCN1040K948	CAPACITOR,TUBULAR(HIGH DIELEC)	0.1UF 50V Z F TA26	
		C168	OCE1066K618	CAPACITOR,ELECTROLYTIC	10M SMS 50V M FM5 TP(5)	
		C169	OCE1076F618	CAPACITOR,ELECTROLYTIC	100M SMS 16V M FM5 TP(5)	
		C170	OCC1020K945	CAPACITOR,CERAMIC(HIGH DIELE)	1000P 50V Z F TS	
		C180	OCN1040K948	CAPACITOR,TUBULAR(HIGH DIELEC)	0.1UF 50V Z F TA26	
		C181	OCN1040K948	CAPACITOR,TUBULAR(HIGH DIELEC)	0.1UF 50V Z F TA26	
		C190	OCN1040K948	CAPACITOR,TUBULAR(HIGH DIELEC)	0.1UF 50V Z F TA26	
		C191	OCN1040K948	CAPACITOR,TUBULAR(HIGH DIELEC)	0.1UF 50V Z F TA26	
		C301	OCC1040K945	CAPACITOR,CERAMIC(HIGH DIELEC)	0.1UF 50V Z F TS	
		C302	OCC1040K945	CAPACITOR,CERAMIC(HIGH DIELEC)	0.1UF 50V Z F TS	
		C305	OCE1066K618	CAPACITOR,ELECTROLYTIC	10M SMS 50V M FM5 TP(5)	
		C306	OCE1066K618	CAPACITOR,ELECTROLYTIC	10M SMS 50V M FM5 TP(5)	
		C307	OCE2286H650	CAPACITOR,ELECTROLYTIC	2200M SMS 25V M FM7.5	
		C308	OCE2276F618	CAPACITOR,ELECTROLYTIC	220M SMS 16V M FM5 TP(5)	
		C309	OCC1040K945	CAPACITOR,CERAMIC(HIGH DIELEC)	0.1UF 50V Z F TS	
		C310	OCE2276F618	CAPACITOR,ELECTROLYTIC	220M SMS 16V M FM5 TP(5)	
		C311	OCC1040K945	CAPACITOR,CERAMIC(HIGH DIELEC)	0.1UF 50V Z F TS	
		C312	OCE2266K618	CAPACITOR,ELECTROLYTIC	22M SMS 50V M FM5 TP(5)	
		C318	OCE1056K618	CAPACITOR,ELECTROLYTIC	1.0M SMS 50V M FL TP(5)	
		C319	OCE1056K618	CAPACITOR,ELECTROLYTIC	1.0M SMS 50V M FL TP(5)	
		C320	OCE2276F618	CAPACITOR,ELECTROLYTIC	220M SMS 16V M FM5 TP(5)	
		C321	OCE1076F618	CAPACITOR,ELECTROLYTIC	100M SMS 16V M FM5 TP(5)	
		C322	OCE1056K618	CAPACITOR,ELECTROLYTIC	1.0M SMS 50V M FL TP(5)	
		C323	OCE1056K618	CAPACITOR,ELECTROLYTIC	1.0M SMS 50V M FL TP(5)	
		C336	OCC1040K945	CAPACITOR,CERAMIC(HIGH DIELEC)	0.1UF 50V Z F TS	
		C337	OCC1040K945	CAPACITOR,CERAMIC(HIGH DIELEC)	0.1UF 50V Z F TS	
		C339	OCC1030K515	CAPACITOR,CERAMIC(HIGH DIELE)	0.01M 50V K B TS	
		C340	OCC1040K945	CAPACITOR,CERAMIC(HIGH DIELEC)	0.1UF 50V Z F TS	
		C341	OCE1076F618	CAPACITOR,ELECTROLYTIC	100M SMS 16V M FM5 TP(5)	
		C342	OCE1076F618	CAPACITOR,ELECTROLYTIC	100M SMS 16V M FM5 TP(5)	
		C343	OCE1076F618	CAPACITOR,ELECTROLYTIC	100M SMS 16V M FM5 TP(5)	
		C344	OCC4700K415	CAPACITOR CERAMIC(TEMP COMP)	47P 50V J NPO TP	
		C345	OCC1030K515	CAPACITOR,CERAMIC(HIGH DIELE)	0.01M 50V K B TS	
		C346	OCC3310K405	CAPACITOR CERAMIC(TEMP COMP)	330P 50V J SL TS	
		C347	OCE2276F618	CAPACITOR,ELECTROLYTIC	220M SMS 16V M FM5 TP(5)	
		C348	OCC4700K415	CAPACITOR CERAMIC(TEMP COMP)	47P 50V J NPO TP	
		C349	OCC1030K515	CAPACITOR,CERAMIC(HIGH DIELE)	0.01M 50V K B TS	
		C350	OCE1076F618	CAPACITOR,ELECTROLYTIC	100M SMS 16V M FM5 TP(5)	
		C351	OCE1076F618	CAPACITOR,ELECTROLYTIC	100M SMS 16V M FM5 TP(5)	
		C352	OCC1030K515	CAPACITOR,CERAMIC(HIGH DIELE)	0.01M 50V K B TS	
		C353	OCE1076F618	CAPACITOR,ELECTROLYTIC	100M SMS 16V M FM5 TP(5)	

[REPLACEMENT PARTS LIST]

PAGE : 5

MODEL : GEK-S525 B62

SET PART NO : 117-013B

RUN-DATE : 93.07.27

S	AL	LOCA.NO	PART NO(GS)	DESCRIPTION	SPECIFICATION	REMARKS
		C354	OCC1040K945	CAPACITOR,CERAMIC(HIGH DIELEC)	0.1UF 50V Z F TS	
		C355	OCE1076F618	CAPACITOR,ELECTROLYTIC	100M SMS 16V M FM5 TP(5)	
		C356	OCC4700K415	CAPACITOR CERAMIC(TEMP COMP)	47P 50V J NPO TP	
		C357	OCE1076F618	CAPACITOR,ELECTROLYTIC	100M SMS 16V M FM5 TP(5)	
		C358	OCC1030K515	CAPACITOR,CERAMIC(HIGH DIELE)	0.01M 50V K B TS	
		C359	OCC3310K405	CAPACITOR CERAMIC(TEMP COMP)	330P 50V J SL TS	
		C360	OCE2276F618	CAPACITOR,ELECTROLYTIC	220M SMS 16V M FM5 TP(5)	
		C361	OCC4700K415	CAPACITOR CERAMIC(TEMP COMP)	47P 50V J NPO TP	
		C362	OCC1030K515	CAPACITOR,CERAMIC(HIGH DIELE)	0.01M 50V K B TS	
		C363	OCE1076F618	CAPACITOR,ELECTROLYTIC	100M SMS 16V M FM5 TP(5)	
		C364	OCE1076F618	CAPACITOR,ELECTROLYTIC	100M SMS 16V M FM5 TP(5)	
		C365	OCE1066K618	CAPACITOR,ELECTROLYTIC	10M SMS 50V M FM5 TP(5)	
		C366	OCE1086H630	CAPACITOR,ELECTROLYTIC	1000UF SMS 25V 20 FM5	
		C367	OCE1086H630	CAPACITOR,ELECTROLYTIC	1000UF SMS 25V 20 FM5	
		C368	OCQ1542N409	CAPACITOR POLYESTER(MYLAR)	0.15U S 100V J POLY TP	
		C369	OCQ1542N409	CAPACITOR POLYESTER(MYLAR)	0.15U S 100V J POLY TP	
		C370	OCQ1542N409	CAPACITOR POLYESTER(MYLAR)	0.15U S 100V J POLY TP	
		C371	OCQ1542N409	CAPACITOR POLYESTER(MYLAR)	0.15U S 100V J POLY TP	
		C372	OCE1086H630	CAPACITOR,ELECTROLYTIC	1000UF SMS 25V 20 FM5	
		C373	OCE1086H630	CAPACITOR,ELECTROLYTIC	1000UF SMS 25V 20 FM5	
		C374	OCE1066K618	CAPACITOR,ELECTROLYTIC	10M SMS 50V M FM5 TP(5)	
		C375	OCE2276F618	CAPACITOR,ELECTROLYTIC	220M SMS 16V M FM5 TP(5)	
		C376	OCE1056K618	CAPACITOR,ELECTROLYTIC	1.0M SMS 50V M FL TP(5)	
		C377	OCC1040K945	CAPACITOR,CERAMIC(HIGH DIELEC)	0.1UF 50V Z F TS	
		C378	OCE1076F618	CAPACITOR,ELECTROLYTIC	100M SMS 16V M FM5 TP(5)	
		C379	OCC4700K415	CAPACITOR CERAMIC(TEMP COMP)	47P 50V J NPO TP	
		C380	OCE1056K618	CAPACITOR,ELECTROLYTIC	1.0M SMS 50V M FL TP(5)	
		C381	OCE1066K618	CAPACITOR,ELECTROLYTIC	10M SMS 50V M FM5 TP(5)	
		C382	OCC1040K945	CAPACITOR,CERAMIC(HIGH DIELEC)	0.1UF 50V Z F TS	
		C383	OCE2276F618	CAPACITOR,ELECTROLYTIC	220M SMS 16V M FM5 TP(5)	
		C385	OCE2276F618	CAPACITOR,ELECTROLYTIC	220M SMS 16V M FM5 TP(5)	
		C386	OCE4756K618	CAPACITOR,ELECTROLYTIC	4.7M SMS 50V M FL TP(5)	
		C387	OCE1076F618	CAPACITOR,ELECTROLYTIC	100M SMS 16V M FM5 TP(5)	
		C388	OCE1076F618	CAPACITOR,ELECTROLYTIC	100M SMS 16V M FM5 TP(5)	
		C389	OCC1040K945	CAPACITOR,CERAMIC(HIGH DIELEC)	0.1UF 50V Z F TS	
		C390	OCC2200K415	CAPACITOR CERAMIC(TEMP COMP)	22P 50V J NPO TS	
		C391	OCC2200K415	CAPACITOR CERAMIC(TEMP COMP)	22P 50V J NPO TS	
		C392	OCC1040K945	CAPACITOR,CERAMIC(HIGH DIELEC)	0.1UF 50V Z F TS	
		C393	OCE1056K618	CAPACITOR,ELECTROLYTIC	1.0M SMS 50V M FL TP(5)	
		C394	OCE1056K618	CAPACITOR,ELECTROLYTIC	1.0M SMS 50V M FL TP(5)	
		C395	OCC1030K515	CAPACITOR,CERAMIC(HIGH DIELE)	0.01M 50V K B TS	
		C396	OCC1040K945	CAPACITOR,CERAMIC(HIGH DIELEC)	0.1UF 50V Z F TS	
		C397	OCC1030K515	CAPACITOR,CERAMIC(HIGH DIELE)	0.01M 50V K B TS	
		C398	OCC1040K945	CAPACITOR,CERAMIC(HIGH DIELEC)	0.1UF 50V Z F TS	
		C399	OCQ4731N509	CAPACITOR POLYESTER(MYLAR)	0.047U 100V K POLY TP	
		C400	OCE1056K618	CAPACITOR,ELECTROLYTIC	1.0M SMS 50V M FL TP(5)	
		C401	OCE1056K618	CAPACITOR,ELECTROLYTIC	1.0M SMS 50V M FL TP(5)	
		C402	OCC1030K515	CAPACITOR,CERAMIC(HIGH DIELE)	0.01M 50V K B TS	
		C403	OCQ6831N509	CAPACITOR POLYESTER(MYLAR)	0.068M 100V K POLY TP	
		C404	OCQ6831N509	CAPACITOR POLYESTER(MYLAR)	0.068M 100V K POLY TP	

REPLACEMENT PARTS LIST

PAGE : 6

MODEL : GEK-S525 BG2

SET PART NO : 117-013B

RUN-DATE : 93.07.27

S	AL	LOCA.NO	PART NO(GS)	DESCRIPTION	SPECIFICATION	REMARKS
		C405	OCC5610K505	CAPACITOR CERAMIC(TEMP COMP)	560P 50V K SL TS	
		C406	OCE1056K618	CAPACITOR,ELECTROLYTIC	1.0M SMS 50V M FL TP(5)	
		C407	OCQ5621N509	CAPACITOR POLYESTER(MYLAR)	0.0056U 100V K POLY TP	
		C408	OCC5610K505	CAPACITOR CERAMIC(TEMP COMP)	560P 50V K SL TS	
		C409	OCQ5621N509	CAPACITOR POLYESTER(MYLAR)	0.0056U 100V K POLY TP	
		C410	OCE1051K616	CAPACITOR,ELECTROLYTIC	1.0M SM 50V M FL D TP(5)	
		C411	OCK1020K945	CAPACITOR,CERAMIC(HIGH DIELE)	1000P 50V Z F TS	
		C412	OCE1056K618	CAPACITOR,ELECTROLYTIC	1.0M SMS 50V M FL TP(5)	
		C413	OCE1056K618	CAPACITOR,ELECTROLYTIC	1.0M SMS 50V M FL TP(5)	
		C501	OCN1030F678	CAPACITOR TUBULA(HIGH DIELE)	0.01M 16V M Y TA26	
		C502	OCN1030F678	CAPACITOR TUBULA(HIGH DIELE)	0.01M 16V M Y TA26	
		C503	OCN1030F678	CAPACITOR TUBULA(HIGH DIELE)	0.01M 16V M Y TA26	
		C701	OCK1020K945	CAPACITOR,CERAMIC(HIGH DIELE)	1000P 50V Z F TS	
		C702	OCK1020K945	CAPACITOR,CERAMIC(HIGH DIELE)	1000P 50V Z F TS	
		C703	OCK1040K945	CAPACITOR,CERAMIC(HIGH DIELEC)	0.1UF 50V Z F TS	
		C704	OCK1040K945	CAPACITOR,CERAMIC(HIGH DIELEC)	0.1UF 50V Z F TS	
		C705	OCK1040K945	CAPACITOR,CERAMIC(HIGH DIELEC)	0.1UF 50V Z F TS	
		C706	OCK1040K945	CAPACITOR,CERAMIC(HIGH DIELEC)	0.1UF 50V Z F TS	
		DSP702	659-023K	DISPLAY	LTM-8530P,7SEG X2 LITEON	
		DSP703	659-023L	DISPLAY	LTM-8522P,7SEG X3 LITEON	
		D101	ODD132009AA	DIODE	1SS132 DETECT,SW TP	
		D102	ODD441009AA	DIODE	SHOTTKY RB441Q ROHM	
		D103	ODD132009AA	DIODE	1SS132 DETECT,SW TP	
		D104	ODD132009AA	DIODE	1SS132 DETECT,SW TP	
		D201	ODD400209DA	DIODE	1N4002,RECT,ROHM,TP	
		D202	ODD400209DA	DIODE	1N4002,RECT,ROHM,TP	
		D204	ODD414809GA	DIODE	1N4148 S/W KEC	
		D205	ODD414809GA	DIODE	1N4148 S/W KEC	
		D302	ODD132009AA	DIODE	1SS132 DETECT,SW TP	
		D303	ODD132009AA	DIODE	1SS132 DETECT,SW TP	
		D304	ODD132009AA	DIODE	1SS132 DETECT,SW TP	
		D305	ODD132009AA	DIODE	1SS132 DETECT,SW TP	
		D306	ODD132009AA	DIODE	1SS132 DETECT,SW TP	
		D501	ODD414809GA	DIODE	1N4148 S/W KEC	
		D502	ODD414809GA	DIODE	1N4148 S/W KEC	
		D503	ODD414809GA	DIODE	1N4148 S/W KEC	
		D504	ODD414809GA	DIODE	1N4148 S/W KEC	
		D505	ODD414809GA	DIODE	1N4148 S/W KEC	
		D506	ODD414809GA	DIODE	1N4148 S/W KEC	
		D507	ODD414809GA	DIODE	1N4148 S/W KEC	
		D508	ODD414809GA	DIODE	1N4148 S/W KEC	
		D509	ODD414809GA	DIODE	1N4148 S/W KEC	
		D510	ODD414809GA	DIODE	1N4148 S/W KEC	
		D511	ODD414809GA	DIODE	1N4148 S/W KEC	
		D512	ODD414809GA	DIODE	1N4148 S/W KEC	
		D513	ODD414809GA	DIODE	1N4148 S/W KEC	
		D514	ODD414809GA	DIODE	1N4148 S/W KEC	
		D515	ODD414809GA	DIODE	1N4148 S/W KEC	
		D516	ODD414809GA	DIODE	1N4148 S/W KEC	
		D517	ODD414809GA	DIODE	1N4148 S/W KEC	

REPLACEMENT PARTS LIST

PAGE : 7

MODEL : GEK-S525 BG2

SET PART NO : 117-013B

RUN-DATE : 93.07.27

S	AL	LOCA.NO	PART NO(GS)	DESCRIPTION	SPECIFICATION	REMARKS
		D518	ODD414809GA	DIODE	1N4148 S/W KEC	
		D519	ODD414809GA	DIODE	1N4148 S/W KEC	
		D520	ODD414809GA	DIODE	1N4148 S/W KEC	
		D521	ODD414809GA	DIODE	1N4148 S/W KEC	
		D522	ODD414809GA	DIODE	1N4148 S/W KEC	
		D523	ODD414809GA	DIODE	1N4148 S/W KEC	
		D524	ODD414809GA	DIODE	1N4148 S/W KEC	
		D525	ODD414809GA	DIODE	1N4148 S/W KEC	
		D526	ODD414809GA	DIODE	1N4148 S/W KEC	
		D527	ODD414809GA	DIODE	1N4148 S/W KEC	
		D528	ODD414809GA	DIODE	1N4148 S/W KEC	
		D529	ODD414809GA	DIODE	1N4148 S/W KEC	
		D530	ODD414809GA	DIODE	1N4148 S/W KEC	
		D531	ODD414809GA	DIODE	1N4148 S/W KEC	
		D532	ODD414809GA	DIODE	1N4148 S/W KEC	
		D533	ODD414809GA	DIODE	1N4148 S/W KEC	
		D534	ODD414809GA	DIODE	1N4148 S/W KEC	
		D535	ODD414809GA	DIODE	1N4148 S/W KEC	
		D536	ODD414809GA	DIODE	1N4148 S/W KEC	
		D537	ODD414809GA	DIODE	1N4148 S/W KEC	
		D538	ODD414809GA	DIODE	1N4148 S/W KEC	
		D539	ODD414809GA	DIODE	1N4148 S/W KEC	
		D540	ODD414809GA	DIODE	1N4148 S/W KEC	
		D541	ODD414809GA	DIODE	1N4148 S/W KEC	
		D542	ODD414809GA	DIODE	1N4148 S/W KEC	
		D543	ODD414809GA	DIODE	1N4148 S/W KEC	
		D544	ODD414809GA	DIODE	1N4148 S/W KEC	
		D545	ODD414809GA	DIODE	1N4148 S/W KEC	
		D546	ODD414809GA	DIODE	1N4148 S/W KEC	
		D547	ODD414809GA	DIODE	1N4148 S/W KEC	
		D548	ODD414809GA	DIODE	1N4148 S/W KEC	
		D549	ODD414809GA	DIODE	1N4148 S/W KEC	
		D550	ODD414809GA	DIODE	1N4148 S/W KEC	
		D551	ODD414809GA	DIODE	1N4148 S/W KEC	
		D552	ODD414809GA	DIODE	1N4148 S/W KEC	
		D553	ODD414809GA	DIODE	1N4148 S/W KEC	
		D554	ODD414809GA	DIODE	1N4148 S/W KEC	
		D555	ODD414809GA	DIODE	1N4148 S/W KEC	
		D556	ODD414809GA	DIODE	1N4148 S/W KEC	
		D557	ODD414809GA	DIODE	1N4148 S/W KEC	
		D558	ODD414809GA	DIODE	1N4148 S/W KEC	
		D559	ODD414809GA	DIODE	1N4148 S/W KEC	
		D560	ODD414809GA	DIODE	1N4148 S/W KEC	
		D561	ODD414809GA	DIODE	1N4148 S/W KEC	
		D601	ODD414809GA	DIODE	1N4148 S/W KEC	
		D602	ODD414809GA	DIODE	1N4148 S/W KEC	
		D603	ODD414809GA	DIODE	1N4148 S/W KEC	
		D604	ODD414809GA	DIODE	1N4148 S/W KEC	
		D605	ODD414809GA	DIODE	1N4148 S/W KEC	
		D606	ODD414809GA	DIODE	1N4148 S/W KEC	

3EK-S525

GEK-S525

[REPLACEMENT PARTS LIST]						PAGE : 8
MODEL : GEK-S525 BG2		SET PART NO : 117-013B		RUN-DATE : 93.07.27		
S	AL	LOCA.NO	PART NO(GS)	DESCRIPTION	SPECIFICATION	REMARKS
		D607	ODD414809GA	DIODE	1N4148 S/W KEC	
		D608	ODD414809GA	DIODE	1N4148 S/W KEC	
		D609	ODD414809GA	DIODE	1N4148 S/W KEC	
		D610	ODD414809GA	DIODE	1N4148 S/W KEC	
		D611	ODD414809GA	DIODE	1N4148 S/W KEC	
		D612	ODD414809GA	DIODE	1N4148 S/W KEC	
		D613	ODD414809GA	DIODE	1N4148 S/W KEC	
		D614	ODD414809GA	DIODE	1N4148 S/W KEC	
		D615	ODD414809GA	DIODE	1N4148 S/W KEC	
		D616	ODD414809GA	DIODE	1N4148 S/W KEC	
		D617	ODD414809GA	DIODE	1N4148 S/W KEC	
		D618	ODD414809GA	DIODE	1N4148 S/W KEC	
		D619	ODD414809GA	DIODE	1N4148 S/W KEC	
		D620	ODD414809GA	DIODE	1N4148 S/W KEC	
		D621	ODD414809GA	DIODE	1N4148 S/W KEC	
		D622	ODD414809GA	DIODE	1N4148 S/W KEC	
		D623	ODD414809GA	DIODE	1N4148 S/W KEC	
		D624	ODD414809GA	DIODE	1N4148 S/W KEC	
		D625	ODD414809GA	DIODE	1N4148 S/W KEC	
		D626	ODD414809GA	DIODE	1N4148 S/W KEC	
		D627	ODD414809GA	DIODE	1N4148 S/W KEC	
		D628	ODD414809GA	DIODE	1N4148 S/W KEC	
		D629	ODD414809GA	DIODE	1N4148 S/W KEC	
		D630	ODD414809GA	DIODE	1N4148 S/W KEC	
		D631	ODD414809GA	DIODE	1N4148 S/W KEC	
		D632	ODD414809GA	DIODE	1N4148 S/W KEC	
		D633	ODD414809GA	DIODE	1N4148 S/W KEC	
		D634	ODD414809GA	DIODE	1N4148 S/W KEC	
		D635	ODD414809GA	DIODE	1N4148 S/W KEC	
		D636	ODD414809GA	DIODE	1N4148 S/W KEC	
		D637	ODD414809GA	DIODE	1N4148 S/W KEC	
		D638	ODD414809GA	DIODE	1N4148 S/W KEC	
		D639	ODD414809GA	DIODE	1N4148 S/W KEC	
		D640	ODD414809GA	DIODE	1N4148 S/W KEC	
		D641	ODD414809GA	DIODE	1N4148 S/W KEC	
		D642	ODD414809GA	DIODE	1N4148 S/W KEC	
		D701	ODD414809GA	DIODE	1N4148 S/W KEC	
		D702	ODD414809GA	DIODE	1N4148 S/W KEC	
		D800	ODD414809GA	DIODE	1N4148 S/W KEC	
		D801	ODD414809GA	DIODE	1N4148 S/W KEC	
		D802	ODD414809GA	DIODE	1N4148 S/W KEC	
		D803	ODD414809GA	DIODE	1N4148 S/W KEC	
		D804	ODD414809GA	DIODE	1N4148 S/W KEC	
		D805	ODD414809GA	DIODE	1N4148 S/W KEC	
		D806	ODD414809GA	DIODE	1N4148 S/W KEC	
		D807	ODD414809GA	DIODE	1N4148 S/W KEC	
		D808	ODD414809GA	DIODE	1N4148 S/W KEC	
		D809	ODD414809GA	DIODE	1N4148 S/W KEC	
		D810	ODD414809GA	DIODE	1N4148 S/W KEC	
		D811	ODD414809GA	DIODE	1N4148 S/W KEC	

[REPLACEMENT PARTS LIST]						PAGE : 9
MODEL : GEK-S525 BG2		SET PART NO : 117-013B		RUN-DATE : 93.07.27		
S	AL	LOCA.NO	PART NO(GS)	DESCRIPTION	SPECIFICATION	REMARKS
		D812	ODD414809GA	DIODE	1N4148 S/W KEC	
		D813	ODD414809GA	DIODE	1N4148 S/W KEC	
		D814	ODD414809GA	DIODE	1N4148 S/W KEC	
		D815	ODD414809GA	DIODE	1N4148 S/W KEC	
		D816	ODD414809GA	DIODE	1N4148 S/W KEC	
		D817	ODD414809GA	DIODE	1N4148 S/W KEC	
		D818	ODD414809GA	DIODE	1N4148 S/W KEC	
		D819	ODD414809GA	DIODE	1N4148 S/W KEC	
		D820	ODD414809GA	DIODE	1N4148 S/W KEC	
		D821	ODD414809GA	DIODE	1N4148 S/W KEC	
		D822	ODD414809GA	DIODE	1N4148 S/W KEC	
		D901	ODD414809GA	DIODE	1N4148 S/W KEC	
		D902	ODD414809GA	DIODE	1N4148 S/W KEC	
		D903	ODD414809GA	DIODE	1N4148 S/W KEC	
		D904	ODD414809GA	DIODE	1N4148 S/W KEC	
		D905	ODD414809GA	DIODE	1N4148 S/W KEC	
		ZD301	ODZ750009DD	DIODE,ZENER	MTZ7.5C-T-77 ROHM-K	
		D906	ODD414809GA	DIODE	1N4148 S/W KEC	
		D907	ODD414809GA	DIODE	1N4148 S/W KEC	
		D908	ODD414809GA	DIODE	1N4148 S/W KEC	
		D909	ODD414809GA	DIODE	1N4148 S/W KEC	
		D910	ODD414809GA	DIODE	1N4148 S/W KEC	
		D911	ODD414809GA	DIODE	1N4148 S/W KEC	
		D912	ODD414809GA	DIODE	1N4148 S/W KEC	
		D913	ODD414809GA	DIODE	1N4148 S/W KEC	
		D914	ODD414809GA	DIODE	1N4148 S/W KEC	
		D915	ODD414809GA	DIODE	1N4148 S/W KEC	
		D916	ODD414809GA	DIODE	1N4148 S/W KEC	
		D917	ODD414809GA	DIODE	1N4148 S/W KEC	
		D918	ODD414809GA	DIODE	1N4148 S/W KEC	
		D919	ODD414809GA	DIODE	1N4148 S/W KEC	
		D920	ODD414809GA	DIODE	1N4148 S/W KEC	
		D921	ODD414809GA	DIODE	1N4148 S/W KEC	
		D922	ODD414809GA	DIODE	1N4148 S/W KEC	
		D923	ODD414809GA	DIODE	1N4148 S/W KEC	
		D924	ODD414809GA	DIODE	1N4148 S/W KEC	
		D925	ODD414809GA	DIODE	1N4148 S/W KEC	
		D926	ODD414809GA	DIODE	1N4148 S/W KEC	
		D927	ODD414809GA	DIODE	1N4148 S/W KEC	
		D928	ODD414809GA	DIODE	1N4148 S/W KEC	
		D929	ODD414809GA	DIODE	1N4148 S/W KEC	
		D930	ODD414809GA	DIODE	1N4148 S/W KEC	
		D931	ODD414809GA	DIODE	1N4148 S/W KEC	
		D932	ODD414809GA	DIODE	1N4148 S/W KEC	
		D933	ODD414809GA	DIODE	1N4148 S/W KEC	
		D934	ODD414809GA	DIODE	1N4148 S/W KEC	
		D935	ODD414809GA	DIODE	1N4148 S/W KEC	
		D936	ODD414809GA	DIODE	1N4148 S/W KEC	
		D937	ODD414809GA	DIODE	1N4148 S/W KEC	
		D938	ODD414809GA	DIODE	1N4148 S/W KEC	

[REPLACEMENT PARTS LIST]					PAGE : 10	
MODEL : GEK-S525 BG2		SET PART NO : 117-013B		RUN-DATE : 93.07.27		
S	AL	LOCA.NO	PART NO(GS)	DESCRIPTION	SPECIFICATION	REMARKS
		D939	ODD414809GA	DIODE	1N4148 S/W KEC	
		D940	ODD414809GA	DIODE	1N4148 S/W KEC	
		D941	ODD414809GA	DIODE	1N4148 S/W KEC	
		D942	ODD414809GA	DIODE	1N4148 S/W KEC	
		D943	ODD414809GA	DIODE	1N4148 S/W KEC	
		D944	ODD414809GA	DIODE	1N4148 S/W KEC	
		D945	ODD414809GA	DIODE	1N4148 S/W KEC	
		D946	ODD414809GA	DIODE	1N4148 S/W KEC	
		D947	ODD414809GA	DIODE	1N4148 S/W KEC	
		D948	ODD414809GA	DIODE	1N4148 S/W KEC	
		D949	ODD414809GA	DIODE	1N4148 S/W KEC	
		D950	ODD414809GA	DIODE	1N4148 S/W KEC	
		D951	ODD414809GA	DIODE	1N4148 S/W KEC	
		D952	ODD414809GA	DIODE	1N4148 S/W KEC	
		D953	ODD414809GA	DIODE	1N4148 S/W KEC	
		D954	ODD414809GA	DIODE	1N4148 S/W KEC	
		D955	ODD414809GA	DIODE	1N4148 S/W KEC	
		D956	ODD414809GA	DIODE	1N4148 S/W KEC	
		D957	ODD414809GA	DIODE	1N4148 S/W KEC	
		D958	ODD414809GA	DIODE	1N4148 S/W KEC	
		D959	ODD414809GA	DIODE	1N4148 S/W KEC	
		D960	ODD414809GA	DIODE	1N4148 S/W KEC	
		D961	ODD414809GA	DIODE	1N4148 S/W KEC	
		D962	ODD414809GA	DIODE	1N4148 S/W KEC	
		D963	ODD414809GA	DIODE	1N4148 S/W KEC	
		D964	ODD414809GA	DIODE	1N4148 S/W KEC	
		D965	ODD414809GA	DIODE	1N4148 S/W KEC	
		D966	ODD414809GA	DIODE	1N4148 S/W KEC	
		D967	ODD414809GA	DIODE	1N4148 S/W KEC	
		D968	ODD414809GA	DIODE	1N4148 S/W KEC	
		D969	ODD414809GA	DIODE	1N4148 S/W KEC	
		D970	ODD414809GA	DIODE	1N4148 S/W KEC	
		D971	ODD414809GA	DIODE	1N4148 S/W KEC	
		D972	ODD414809GA	DIODE	1N4148 S/W KEC	
		D973	ODD414809GA	DIODE	1N4148 S/W KEC	
		D974	ODD414809GA	DIODE	1N4148 S/W KEC	
		D975	ODD414809GA	DIODE	1N4148 S/W KEC	
		D976	ODD414809GA	DIODE	1N4148 S/W KEC	
		D977	ODD414809GA	DIODE	1N4148 S/W KEC	
		D978	ODD414809GA	DIODE	1N4148 S/W KEC	
		D979	ODD414809GA	DIODE	1N4148 S/W KEC	
		D980	ODD414809GA	DIODE	1N4148 S/W KEC	
		D981	ODD414809GA	DIODE	1N4148 S/W KEC	
		D982	ODD414809GA	DIODE	1N4148 S/W KEC	
		D983	ODD414809GA	DIODE	1N4148 S/W KEC	
		D984	ODD414809GA	DIODE	1N4148 S/W KEC	
		D985	ODD414809GA	DIODE	1N4148 S/W KEC	
		D986	ODD414809GA	DIODE	1N4148 S/W KEC	
		D987	ODD414809GA	DIODE	1N4148 S/W KEC	
		D988	ODD414809GA	DIODE	1N4148 S/W KEC	

[REPLACEMENT PARTS LIST]					PAGE : 11	
MODEL : GEK-S525 BG2		SET PART NO : 117-013B		RUN-DATE : 93.07.27		
S	AL	LOCA.NO	PART NO(GS)	DESCRIPTION	SPECIFICATION	REMARKS
		D989	ODD414809GA	DIODE	1N4148 S/W KEC	
		D990	ODD414809GA	DIODE	1N4148 S/W KEC	
		D991	ODD414809GA	DIODE	1N4148 S/W KEC	
		D992	ODD414809GA	DIODE	1N4148 S/W KEC	
		D993	ODD414809GA	DIODE	1N4148 S/W KEC	
		D994	ODD414809GA	DIODE	1N4148 S/W KEC	
		D995	ODD414809GA	DIODE	1N4148 S/W KEC	
		D996	ODD414809GA	DIODE	1N4148 S/W KEC	
		D997	ODD414809GA	DIODE	1N4148 S/W KEC	
		D998	ODD414809GA	DIODE	1N4148 S/W KEC	
		D999	ODD414809GA	DIODE	1N4148 S/W KEC	
		IC101	OISG905000A	IC, SGS-THOMSON		
		IC102	668-810A	INTEGRATED CIRCUIT		SAM8905 SOUND GENERATOR,DREAH
		IC103	OIAD210500A	IC,ANALOG DEVICE		ADSP2105 DSP,ANALOG DEVICE
		IC104	OIOK831540A	IC,OKI		M83C154H-***RS MCU,OKI
		IC105	OISG271001C	IC, SGS-THOMSON		M27C1001 EPROM 150NS,SGS-THOM
		IC106	OIGS762567A	IC, GOLDSTAR ELECTRON		GM76C256ALLFW-70 32KX8 SRAM
		IC107	OIGS238100D	IC, GOLDSTAR ELECTRON		GM23C8100-035 DIP42 8M ROM
		IC108	OIGS238100C	IC, GOLDSTAR ELECTRON		GM23C8100-034 DIP42 8M ROM
		IC109	OIGS238100B	IC, GOLDSTAR ELECTRON		GM23C8100-033 DIP42 8M ROM
		IC110	OIGS762567A	IC, GOLDSTAR ELECTRON		GM76C256ALLFW-70 32KX8 SRAM
		IC111	OIGS762567A	IC, GOLDSTAR ELECTRON		GM76C256ALLFW-70 32KX8 SRAM
		IC112	OISG276400B	IC, SGS-THOMSON		M27C64 EPROM 150NS 8X8, SGS-TH
		IC113	OIKT613700A	IC,KOREA TECHNO (KOTECO)		K6N137 DIP PHOTO COUPLER
		IC114	OIGS741540A	IC, GOLDSTAR ELECTRON		GD74LS154 4-TO-16 DECODER
		IC115	OIGS742440G	IC, GOLDSTAR ELECTRON		GD74HC244 TTL IC
		IC116	OISG741400A	IC, SGS-THOMSON		M74HC14BIR HEX INVERTER,SGS
		IC117	OISG745740A	IC,SGS-THOMSON		74HC574 D-F/F DIP20,S/T
		IC118	OIGS742440G	IC, GOLDSTAR ELECTRON		GD74HC244 TTL IC
		IC119	OIGS741750C	IC, GOLDSTAR ELECTRON		GD74HC175 16P QUAD D-F/F
		IC120	OIGS741570C	IC, GOLDSTAR ELECTRON		GD74HC157,4CH-2INPUT MUX,GS
		IC121	OIGS748600D	IC, GOLDSTAR ELECTRON		GD74HC86 DIP 2IN XOR.GSEN
		IC122	OIGS740800B	IC, GOLDSTAR ELECTRON		GD74HC08 QUAD AND GATE G/S
		IC123	OIGS741390A	IC, GOLDSTAR ELECTRON		GD74HC139 DECODER/DEMUX,G/S
		IC124	OIGS740000B	IC, GOLDSTAR ELECTRON		GD74HC00 NAND GATE
		IC125	OIGS743200C	IC, GOLDSTAR ELECTRON		GD74HC32 QUAD 2-IN OR GATE
		IC126	OIGS747400D	IC, GOLDSTAR ELECTRON		GD74HCT74
		IC127	OIGS741640B	IC, GOLDSTAR ELECTRON		GD74HC164
		IC128	OIPH131100A	IC,PHILIPS		TDA1311 DAC(SOT97DE8),PHILIPS
		IC129	OIJR072000A	IC, JRC(JAPAN RADIO CORP.)		NJM072D OP AMP(DIR),JRC
		IC301	OISA450000A	IC, SANYO		,LA4500 PWR SANYO
		IC302	OISA450000A	IC, SANYO		,LA4500 PWR SANYO
		IC303	OIGS740400A	IC, GOLDSTAR ELECTRON		GD74HC04 HEX INVERTER ,G/S
		IC304	OIMI522200A	IC,MITSUBISHI		M5222FP 8SOP ADIO CONTROL
		IC306	OIRH715000A	IC, ROHM		BA715 DUAL OP AMP
		IC308	OIRH715000A	IC, ROHM		BA715 DUAL OP AMP
		IC309	OISG494100A	IC, SGS-THOMSON		L4941BV L/DROP 5V REG,SGS-THO
		IC311	OISG494100A	IC, SGS-THOMSON		L4941BV L/DROP 5V REG,SGS-THO
		IC312	OIMI501940A	IC,MITSUBISHI		M50194P D/REVERB,MITSUBISHI
		IC313	OIRH715000A	IC, ROHM		BA715 DUAL OP AMP

REPLACEMENT PARTS LIST

PAGE : 12

MODEL : GEK-S525 BG2

SET PART NO : 117-013B

RUN-DATE : 93.07.27

S	AL	LOCA.NO	PART NO(GS)	DESCRIPTION	SPECIFICATION	REMARKS
		IC501	01GS741640B	IC, GOLDSTAR ELECTRON	GD74HC164	
		IC502	01GS741640B	IC, GOLDSTAR ELECTRON	GD74HC164	
		IC503	01GS741640B	IC, GOLDSTAR ELECTRON	GD74HC164	
		JK201	577-102C	SOCKET	*JACK,DC-IN DCP-20	
		JK202	572-359A	JACK 6.4	HLJ5305-01-4010 H=6.5 9PIN	
		JK203	572-359A	JACK 6.4	HLJ5305-01-4010 H=6.5 9PIN	
		JK204	572-359A	JACK 6.4	HLJ5305-01-4010 H=6.5 9PIN	
		JK205	572-359A	JACK 6.4	HLJ5305-01-4010 H=6.5 9PIN	
		JK206	572-359A	JACK 6.4	HLJ5305-01-4010 H=6.5 9PIN	
		JK207	573-052A	SOCKET	SOCKET,DIN TCS4650-01-4051	
		JK208	573-052A	SOCKET	SOCKET,DIN TCS4650-01-4051	
		JK209	573-052A	SOCKET	SOCKET,DIN TCS4650-01-4051	
		JK701	572-359A	JACK 6.4	HLJ5305-01-4010 H=6.5 9PIN	
		JK702	572-359A	JACK 6.4	HLJ5305-01-4010 H=6.5 9PIN	
		LD501	ODL210009BA	DIODE,LED	SLN-210LT104 ROHM-K	
		LD502	ODL210009BA	DIODE,LED	SLN-210LT104 ROHM-K	
		LD503	ODL210009BA	DIODE,LED	SLN-210LT104 ROHM-K	
		LD504	ODL210009BA	DIODE,LED	SLN-210LT104 ROHM-K	
		LD505	ODL210009BA	DIODE,LED	SLN-210LT104 ROHM-K	
		LD506	ODL210009BA	DIODE,LED	SLN-210LT104 ROHM-K	
		LD507	ODL210009BA	DIODE,LED	SLN-210LT104 ROHM-K	
		LD508	ODL210009BA	DIODE,LED	SLN-210LT104 ROHM-K	
		LD509	ODL210009BA	DIODE,LED	SLN-210LT104 ROHM-K	
		LD510	ODL210009BA	DIODE,LED	SLN-210LT104 ROHM-K	
		LD511	ODL210009BA	DIODE,LED	SLN-210LT104 ROHM-K	
		LD512	ODL210009BA	DIODE,LED	SLN-210LT104 ROHM-K	
		LD513	ODL210009BA	DIODE,LED	SLN-210LT104 ROHM-K	
		LD514	ODL210009BA	DIODE,LED	SLN-210LT104 ROHM-K	
		LD515	ODL210009BA	DIODE,LED	SLN-210LT104 ROHM-K	
		LD516	ODL210009BA	DIODE,LED	SLN-210LT104 ROHM-K	
		LD517	ODL210009BA	DIODE,LED	SLN-210LT104 ROHM-K	
		LD518	ODL210009BA	DIODE,LED	SLN-210LT104 ROHM-K	
		LD601	ODL210009BA	DIODE,LED	SLN-210LT104 ROHM-K	
		LD602	ODL210009BA	DIODE,LED	SLN-210LT104 ROHM-K	
		LD603	ODL210009BA	DIODE,LED	SLN-210LT104 ROHM-K	
		LD604	ODL210009BA	DIODE,LED	SLN-210LT104 ROHM-K	
		LD605	ODL210009BA	DIODE,LED	SLN-210LT104 ROHM-K	
		LD606	ODL210009BA	DIODE,LED	SLN-210LT104 ROHM-K	
		LD607	ODL210009BA	DIODE,LED	SLN-210LT104 ROHM-K	
		LD608	ODL210009BA	DIODE,LED	SLN-210LT104 ROHM-K	
		LD609	ODL210009BA	DIODE,LED	SLN-210LT104 ROHM-K	
		LD610	ODL210009BA	DIODE,LED	SLN-210LT104 ROHM-K	
		LD611	ODL210009BA	DIODE,LED	SLN-210LT104 ROHM-K	
		LD612	ODL210009BA	DIODE,LED	SLN-210LT104 ROHM-K	
		LD613	ODL210009BA	DIODE,LED	SLN-210LT104 ROHM-K	
		LD614	ODL210009BA	DIODE,LED	SLN-210LT104 ROHM-K	
		LD615	ODL210009BA	DIODE,LED	SLN-210LT104 ROHM-K	
		LD616	ODL210009BA	DIODE,LED	SLN-210LT104 ROHM-K	
		LD617	ODL210009BA	DIODE,LED	SLN-210LT104 ROHM-K	
		LD618	ODL210009BA	DIODE,LED	SLN-210LT104 ROHM-K	

REPLACEMENT PARTS LIST

PAGE : 13

MODEL : GEK-S525 BG2

SET PART NO : 117-013B

RUN-DATE : 93.07.27

S	AL	LOCA.NO	PART NO(GS)	DESCRIPTION	SPECIFICATION	REMARKS
		LD619	ODL210009BA	DIODE,LED	SLN-210LT104 ROHM-K	
		LD620	ODL210009BA	DIODE,LED	SLN-210LT104 ROHM-K	
		LD701	ODL540009AF	DIODE LED	SLR-54URC 80F 215,ROHM	
		LD702	ODL540009AF	DIODE LED	SLR-54URC 80F 215,ROHM	
		LD703	ODL540009AF	DIODE LED	SLR-54URC 80F 215,ROHM	
		LD704	ODL540009AF	DIODE LED	SLR-54URC 80F 215,ROHM	
		LF301	636-006F	COIL CHOKE RF	LINE FILTER,PLA1522C,MURATA	
		L101	631T603E	COIL ANTENNA	BFD3A-M3R2F0,SAMHWA,BEAD	
		L102	631T603E	COIL ANTENNA	BFD3A-M3R2F0,SAMHWA,BEAD	
		L103	631T603E	COIL ANTENNA	BFD3A-M3R2F0,SAMHWA,BEAD	
		L105	631T603E	COIL ANTENNA	BFD3A-M3R2F0,SAMHWA,BEAD	
		L106	631T603E	COIL ANTENNA	BFD3A-M3R2F0,SAMHWA,BEAD	
		L107	631T603E	COIL ANTENNA	BFD3A-M3R2F0,SAMHWA,BEAD	
		L201	631T603F	COIL ANTENNA	4EAD CORE,BF45TS-2,6X6X0.8 TDK	
		L202	631T603F	COIL ANTENNA	4EAD CORE,BF45TS-2,6X6X0.8 TDK	
		L203	631T603F	COIL ANTENNA	4EAD CORE,BF45TS-2,6X6X0.8 TDK	
		L204	631T603F	COIL ANTENNA	4EAD CORE,BF45TS-2,6X6X0.8 TDK	
		L205	631T603F	COIL ANTENNA	4EAD CORE,BF45TS-2,6X6X0.8 TDK	
		L206	631T603F	COIL ANTENNA	4EAD CORE,BF45TS-2,6X6X0.8 TDK	
		L207	631T603F	COIL ANTENNA	4EAD CORE,BF45TS-2,6X6X0.8 TDK	
		L208	631T603F	COIL ANTENNA	4EAD CORE,BF45TS-2,6X6X0.8 TDK	
		L209	631T603F	COIL ANTENNA	4EAD CORE,BF45TS-2,6X6X0.8 TDK	
		L210	631T603F	COIL ANTENNA	4EAD CORE,BF45TS-2,6X6X0.8 TDK	
		L211	631T603F	COIL ANTENNA	4EAD CORE,BF45TS-2,6X6X0.8 TDK	
		L212	631T603F	COIL ANTENNA	4EAD CORE,BF45TS-2,6X6X0.8 TDK	
		L213	631T603F	COIL ANTENNA	4EAD CORE,BF45TS-2,6X6X0.8 TDK	
		L214	631T603F	COIL ANTENNA	4EAD CORE,BF45TS-2,6X6X0.8 TDK	
		L215	631T603F	COIL ANTENNA	4EAD CORE,BF45TS-2,6X6X0.8 TDK	
		L216	631T603F	COIL ANTENNA	4EAD CORE,BF45TS-2,6X6X0.8 TDK	
		L701	631T603F	COIL ANTENNA	4EAD CORE,BF45TS-2,6X6X0.8 TDK	
		L702	631T603F	COIL ANTENNA	4EAD CORE,BF45TS-2,6X6X0.8 TDK	
		L703	631T603F	COIL ANTENNA	4EAD CORE,BF45TS-2,6X6X0.8 TDK	
		NF	631T603K	COIL ANTENNA	EMI CFIO6B1H333MF,SAMHWA	
		NF101	631T603K	COIL ANTENNA	EMI CFIO6B1H333MF,SAMHWA	
		NF102	631T603K	COIL ANTENNA	EMI CFIO6B1H333MF,SAMHWA	
		NF103	631T603K	COIL ANTENNA	EMI CFIO6B1H333MF,SAMHWA	
		NF105	631T603K	COIL ANTENNA	EMI CFIO6B1H333MF,SAMHWA	
		NF106	631T603K	COIL ANTENNA	EMI CFIO6B1H333MF,SAMHWA	
		NF107	631T603K	COIL ANTENNA	EMI CFIO6B1H333MF,SAMHWA	
		NF108	631T603K	COIL ANTENNA	EMI CFIO6B1H333MF,SAMHWA	
		NF109	631T603K	COIL ANTENNA	EMI CFIO6B1H333MF,SAMHWA	
		NF110	631T603K	COIL ANTENNA	EMI CFIO6B1H333MF,SAMHWA	
		NF111	631T603K	COIL ANTENNA	EMI CFIO6B1H333MF,SAMHWA	
		NF112	631T603K	COIL ANTENNA	EMI CFIO6B1H333MF,SAMHWA	
		NF113	631T603K	COIL ANTENNA	EMI CFIO6B1H333MF,SAMHWA	
		NF114	631T603K	COIL ANTENNA	EMI CFIO6B1H333MF,SAMHWA	
		NF301	631T603K	COIL ANTENNA	EMI CFIO6B1H333MF,SAMHWA	
		NF303	631T603K	COIL ANTENNA	EMI CFIO6B1H333MF,SAMHWA	
		PN101	561S715C	CONNECTOR	WAFER,GIL-G-3P-S3T2-ES	
		PN102	561S715D	CONNECTOR	WAFER,GIL-G-4P-S3T2-ES	

[REPLACEMENT PARTS LIST]

PAGE : 14

MODEL : GEK-S525 BG2

SET PART NO : 117-013B

RUN-DATE : 93.07.27

S	AL	LOCA.NO	PART NO(GS)	DESCRIPTION	SPECIFICATION	REMARKS
		PN103	561S715F	CONNECTOR	WAFER,GIL-G-6P-S3T2-ES	
		PN104	561S715I	CONNECTOR	WAFER,GIL-G-9P-S3T2-ES	
		PN105	561S715E	CONNECTOR	WAFER,GIL-G-5P-S3T2-ES	
		PN106	561S715J	CONNECTOR	WAFER,GIL-G-10P-S3T2-ES	
		PN109	561S715H	CONNECTOR	WAFER,GIL-G-8P-S3T2-ES	
		PN111	561S715H	CONNECTOR	WAFER,GIL-G-8P-S3T2-ES	
		PN112	561S715G	CONNECTOR	WAFER,GIL-G-7P-S3T2-ES	
		PN113	561S715I	CONNECTOR	WAFER,GIL-G-9P-S3T2-ES	
		PN114	561S715H	CONNECTOR	WAFER,GIL-G-8P-S3T2-ES	
		PN115	561S715B	CONNECTOR	WAFER,GIL-G-2P-S3T2-ES	
		PN116	561S715B	CONNECTOR	WAFER,GIL-G-2P-S3T2-ES	
		PN201	561-715B	CONNECTOR	WAFER, G/S GIL-G-02P-S3T2-E(S)	
		PN301	561-715C	CONNECTOR	WAFER, G/S GO:-G-03P-S3T2-E(S)	
		PN302	561-715G	CONNECTOR	WAFER,G/S GIL-G-07P-S3T2-E (S)	
		PN303	561-715B	CONNECTOR	WAFER, G/S GIL-G-02P-S3T2-E(S)	
		PN304	561-715K	CONNECTOR	*WAFER,G/S GIL-G-11P-S3T2-E	
		PN501	561-715H	CONNECTOR	WAFER,G/S GIL-G-08P-S3T2-E (S)	
		PN502	561-715H	CONNECTOR	WAFER,G/S GIL-G-08P-S3T2-E (S)	
		PN503	561-715H	CONNECTOR	WAFER,G/S GIL-G-08P-S3T2-E (S)	
		PN504	561-715E	CONNECTOR	WAFER,G/S GIL-G-05P-S3T2-E (S)	
		PN601	561-715K	CONNECTOR	*WAFER,G/S GIL-G-11P-S3T2-E	
		PN602	561-715J	CONNECTOR	WAFER,G/S GIL-G10P-S3T2-E (S)	
		PN701	561-715D	CONNECTOR	WAFER, G/S GIL-G-04P-S3T2-E(S)	
		PN901	561-715F	CONNECTOR	WAFER,G/S GIL-G-06P-S3T2-EA(S)	
		PN902	561-715H	CONNECTOR	WAFER,G/S GIL-G-08P-S3T2-E (S)	
		PN903	561-715J	CONNECTOR	WAFER,G/S GIL-G10P-S3T2-E (S)	
		PN904	561-715H	CONNECTOR	WAFER,G/S GIL-G-08P-S3T2-E (S)	
		Q101	OTR287809AA	TRANSISTOR	2SC2878-B-TPE2 T0-92 T/B	
		Q301	OTR880000AG	TRANSISTOR	KTD880A-Y (KTD880) KEC	
		Q302	OTR319809AB	TRANSISTOR	KTC3198-TP-GR (KTC1815) KEC	
		Q303	OTR319809AB	TRANSISTOR	KTC3198-TP-GR (KTC1815) KEC	
		Q701	OTR319809AB	TRANSISTOR	KTC3198-TP-GR (KTC1815) KEC	
		Q702	OTR319809AB	TRANSISTOR	KTC3198-TP-GR (KTC1815) KEC	
		R,105	ORD4701F608	RESISTOR, FIXED CARBON FILM	4.7K 1/6W 5 TA26	
		R,112	ORD4701F608	RESISTOR, FIXED CARBON FILM	4.7K 1/6W 5 TA26	
		R,119	ORD4701F608	RESISTOR, FIXED CARBON FILM	4.7K 1/6W 5 TA26	
		R101	ORD4701F608	RESISTOR, FIXED CARBON FILM	4.7K 1/6W 5 TA26	
		R102	ORD4701F608	RESISTOR, FIXED CARBON FILM	4.7K 1/6W 5 TA26	
		R103	ORD4701F608	RESISTOR, FIXED CARBON FILM	4.7K 1/6W 5 TA26	
		R104	ORD4701F608	RESISTOR, FIXED CARBON FILM	4.7K 1/6W 5 TA26	
		R106	ORD4701F608	RESISTOR, FIXED CARBON FILM	4.7K 1/6W 5 TA26	
		R107	ORD4701F608	RESISTOR, FIXED CARBON FILM	4.7K 1/6W 5 TA26	
		R108	ORD4701F608	RESISTOR, FIXED CARBON FILM	4.7K 1/6W 5 TA26	
		R109	ORD4701F608	RESISTOR, FIXED CARBON FILM	4.7K 1/6W 5 TA26	
		R110	ORD4701F608	RESISTOR, FIXED CARBON FILM	4.7K 1/6W 5 TA26	
		R111	ORD4701F608	RESISTOR, FIXED CARBON FILM	4.7K 1/6W 5 TA26	
		R113	ORD4701F608	RESISTOR, FIXED CARBON FILM	4.7K 1/6W 5 TA26	
		R114	ORD4701F608	RESISTOR, FIXED CARBON FILM	4.7K 1/6W 5 TA26	
		R115	ORD4701F608	RESISTOR, FIXED CARBON FILM	4.7K 1/6W 5 TA26	
		R116	ORD4701F608	RESISTOR, FIXED CARBON FILM	4.7K 1/6W 5 TA26	

[REPLACEMENT PARTS LIST]

PAGE : 15

MODEL : GEK-S525 BG2

SET PART NO : 117-013B

RUN-DATE : 93.07.27

S	AL	LOCA.NO	PART NO(GS)	DESCRIPTION	SPECIFICATION	REMARKS
		R117	ORD4701F608	RESISTOR, FIXED CARBON FILM	4.7K 1/6W 5 TA26	
		R118	ORD4701F608	RESISTOR, FIXED CARBON FILM	4.7K 1/6W 5 TA26	
		R120	ORD4701F608	RESISTOR, FIXED CARBON FILM	4.7K 1/6W 5 TA26	
		R121	ORD4701F608	RESISTOR, FIXED CARBON FILM	4.7K 1/6W 5 TA26	
		R122	ORD4701F608	RESISTOR, FIXED CARBON FILM	4.7K 1/6W 5 TA26	
		R123	ORD4701F608	RESISTOR, FIXED CARBON FILM	4.7K 1/6W 5 TA26	
		R124	ORD4701F608	RESISTOR, FIXED CARBON FILM	4.7K 1/6W 5 TA26	
		R125	ORD2200F608	RESISTOR, FIXED CARBON FILM	220 1/6W 5 TA26	
		R126	ORD2200F608	RESISTOR, FIXED CARBON FILM	220 1/6W 5 TA26	
		R127	ORD2200F608	RESISTOR, FIXED CARBON FILM	220 1/6W 5 TA26	
		R128	ORD2200F608	RESISTOR, FIXED CARBON FILM	220 1/6W 5 TA26	
		R129	ORD2700F608	RESISTOR, FIXED CARBON FILM	270 1/6W 5 TA26	
		R130	ORD4701F608	RESISTOR, FIXED CARBON FILM	4.7K 1/6W 5 TA26	
		R131	ORD1002F608	RESISTOR, FIXED CARBON FILM	10K 1/6W 5 TA26	
		R132	ORD1002F608	RESISTOR, FIXED CARBON FILM	10K 1/6W 5 TA26	
		R133	ORD1003F608	RESISTOR, FIXED CARBON FILM	100K 1/6W 5 TA26	
		R134	ORD2700F608	RESISTOR, FIXED CARBON FILM	270 1/6W 5 TA26	
		R135	ORD3301F608	RESISTOR, FIXED CARBON FILM	3.3K 1/6W 5 TA26	
		R136	ORD1001F608	RESISTOR, FIXED CARBON FILM	1.0K 1/6W 5 TA26	
		R137	ORD0102F608	RESISTOR, FIXED CARBON FILM	10 1/6W 5 TA26	
		R140	ORD2202F608	RESISTOR, FIXED CARBON FILM	22K 1/6W 5 TA26	
		R141	ORD2202F608	RESISTOR, FIXED CARBON FILM	22K 1/6W 5 TA26	
		R142	ORD2202F608	RESISTOR, FIXED CARBON FILM	22K 1/6W 5 TA26	
		R143	ORD2202F608	RESISTOR, FIXED CARBON FILM	22K 1/6W 5 TA26	
		R144	ORD2701F608	RESISTOR, FIXED CARBON FILM	2.7K 1/6W 5 TA26	
		R145	ORD1002F608	RESISTOR, FIXED CARBON FILM	10K 1/6W 5 TA26	
		R196	ORD4701F608	RESISTOR, FIXED CARBON FILM	4.7K 1/6W 5 TA26	
		R197	ORD1002F608	RESISTOR, FIXED CARBON FILM	10K 1/6W 5 TA26	
		R198	ORD1002F608	RESISTOR, FIXED CARBON FILM	10K 1/6W 5 TA26	
		R201	ORD8200G608	RESISTOR, FIXED CARBON FILM	820 1/4W 5 TA26	
		R301	ORD1002F608	RESISTOR, FIXED CARBON FILM	10K 1/6W 5 TA26	
		R302	ORD4702F608	RESISTOR, FIXED CARBON FILM	47K 1/6W 5 TA26	
		R303	ORD2203F608	RESISTOR, FIXED CARBON FILM	220K 1/6W 5 TA26	
		R304	ORD1002F608	RESISTOR, FIXED CARBON FILM	10K 1/6W 5 TA26	
		R305	ORD3001F608	RESISTOR, FIXED CARBON FILM	3.0K 1/6W 5 TA26	
		R311	ORD3902F608	RESISTOR, FIXED CARBON FILM	39K 1/6W 5 TA26	
		R312	ORD3902F608	RESISTOR, FIXED CARBON FILM	39K 1/6W 5 TA26	
		R313	ORD1502F608	RESISTOR, FIXED CARBON FILM	15K 1/6W 5 TA26	
		R314	ORD0392F608	RESISTOR, FIXED CARBON FILM	39 1/6W 5 TA26	
		R315	ORD1001F608	RESISTOR, FIXED CARBON FILM	1.0K 1/6W 5 TA26	
		R316	ORD1001F608	RESISTOR, FIXED CARBON FILM	1.0K 1/6W 5 TA26	
		R317	ORD1502F608	RESISTOR, FIXED CARBON FILM	15K 1/6W 5 TA26	
		R318	ORD1500F608	RESISTOR, FIXED CARBON FILM	150 1/6W 5 TA26	
		R319	ORD4700F608	RESISTOR, FIXED CARBON FILM	470 1/6W 5 TA26	
		R320	ORD1003F608	RESISTOR, FIXED CARBON FILM	100K 1/6W 5 TA26	
		R321	ORD1003F608	RESISTOR, FIXED CARBON FILM	100K 1/6W 5 TA26	
		R322	ORD1003F608	RESISTOR, FIXED CARBON FILM	100K 1/6W 5 TA26	
		R323	ORD1003F608	RESISTOR, FIXED CARBON FILM	100K 1/6W 5 TA26	
		R335	ORD4700F608	RESISTOR, FIXED CARBON FILM	470 1/6W 5 TA26	
		R336	ORD1002F608	RESISTOR, FIXED CARBON FILM	10K 1/6W 5 TA26	

[REPLACEMENT PARTS LIST]					PAGE : 16	
MODEL : GEK-S525 BG2		SET PART NO : 117-013B			RUN-DATE : 93.07.27	
S	AL	LOCA.NO	PART NO(GS)	DESCRIPTION	SPECIFICATION	REMARKS
		R337	ORD1501F608	RESISTOR, FIXED CARBON FILM	1.5K 1/6W 5 TA26	
		R338	ORD5601F608	RESISTOR, FIXED CARBON FILM	5.6K 1/6W 5 TA26	
		R339	ORD5601F608	RESISTOR, FIXED CARBON FILM	5.6K 1/6W 5 TA26	
		R340	ORD3302F608	RESISTOR, FIXED CARBON FILM	33K 1/6W 5 TA26	
		R341	ORD1000F608	RESISTOR, FIXED CARBON FILM	100 1/6W 5 TA26	
		R342	ORD1002F608	RESISTOR, FIXED CARBON FILM	10K 1/6W 5 TA26	
		R343	ORD5601F608	RESISTOR, FIXED CARBON FILM	5.6K 1/6W 5 TA26	
		R344	ORD1501F608	RESISTOR, FIXED CARBON FILM	1.5K 1/6W 5 TA26	
		R345	ORD5601F608	RESISTOR, FIXED CARBON FILM	5.6K 1/6W 5 TA26	
		R346	ORD3302F608	RESISTOR, FIXED CARBON FILM	33K 1/6W 5 TA26	
		R347	ORD1000F608	RESISTOR, FIXED CARBON FILM	100 1/6W 5 TA26	
		R348	ORD1200G608	RESISTOR, FIXED CARBON FILM	120 1/4W 5 TA52	
		R349	ORD1200G608	RESISTOR, FIXED CARBON FILM	120 1/4W 5 TA52	
		R350	ORD6800F608	RESISTOR, FIXED CARBON FILM	680 1/6W 5 TA26	
		R351	ORD2201F608	RESISTOR, FIXED CARBON FILM	2.2K 1/6W 5 TA26	
		R352	ORD2201F608	RESISTOR, FIXED CARBON FILM	2.2K 1/6W 5 TA26	
		R353	ORD6800F608	RESISTOR, FIXED CARBON FILM	680 1/6W 5 TA26	
		R354	ORD4700F608	RESISTOR, FIXED CARBON FILM	470 1/6W 5 TA26	
		R355	ORD5601F608	RESISTOR, FIXED CARBON FILM	5.6K 1/6W 5 TA26	
		R356	ORD1203F608	RESISTOR, FIXED CARBON FILM	120K 1/6W 5 TA26	
		R357	ORD1502F608	RESISTOR, FIXED CARBON FILM	15K 1/6W 5 TA26	
		R358	ORD1502F608	RESISTOR, FIXED CARBON FILM	15K 1/6W 5 TA26	
		R359	ORD4702F608	RESISTOR, FIXED CARBON FILM	47K 1/6W 5 TA26	
		R360	ORD1004F608	RESISTOR, FIXED CARBON FILM	1.0M 1/6W 5 TA26	
		R361	ORD1003F608	RESISTOR, FIXED CARBON FILM	100K 1/6W 5 TA26	
		R362	ORD1003F608	RESISTOR, FIXED CARBON FILM	100K 1/6W 5 TA26	
		R363	ORD1003F608	RESISTOR, FIXED CARBON FILM	100K 1/6W 5 TA26	
		R364	ORD4701F608	RESISTOR, FIXED CARBON FILM	4.7K 1/6W 5 TA26	
		R365	ORD4702F608	RESISTOR, FIXED CARBON FILM	47K 1/6W 5 TA26	
		R366	ORD4701F608	RESISTOR, FIXED CARBON FILM	4.7K 1/6W 5 TA26	
		R367	ORD4702F608	RESISTOR, FIXED CARBON FILM	47K 1/6W 5 TA26	
		R368	ORD1502F608	RESISTOR, FIXED CARBON FILM	15K 1/6W 5 TA26	
		R369	ORD1002F608	RESISTOR, FIXED CARBON FILM	10K 1/6W 5 TA26	
		R370	ORD1502F608	RESISTOR, FIXED CARBON FILM	15K 1/6W 5 TA26	
		R371	ORD2701F608	RESISTOR, FIXED CARBON FILM	2.7K 1/6W 5 TA26	
		R372	ORD1502F608	RESISTOR, FIXED CARBON FILM	15K 1/6W 5 TA26	
		R373	ORD1002F608	RESISTOR, FIXED CARBON FILM	10K 1/6W 5 TA26	
		R374	ORD1502F608	RESISTOR, FIXED CARBON FILM	15K 1/6W 5 TA26	
		R375	ORD1003F608	RESISTOR, FIXED CARBON FILM	100K 1/6W 5 TA26	
		R376	ORD1003F608	RESISTOR, FIXED CARBON FILM	100K 1/6W 5 TA26	
		R377	ORD1001F608	RESISTOR, FIXED CARBON FILM	1.0K 1/6W 5 TA26	
		R378	ORD1003F608	RESISTOR, FIXED CARBON FILM	100K 1/6W 5 TA26	
		R379	ORD1001F608	RESISTOR, FIXED CARBON FILM	1.0K 1/6W 5 TA26	
		R380	ORD3902F608	RESISTOR, FIXED CARBON FILM	39K 1/6W 5 TA26	
		R501	ORD6800G608	RESISTOR, FIXED CARBON FILM	680 1/4W 5 TA26	
		R502	ORD6800G608	RESISTOR, FIXED CARBON FILM	680 1/4W 5 TA26	
		R503	ORD6800G608	RESISTOR, FIXED CARBON FILM	680 1/4W 5 TA26	
		R504	ORD6800G608	RESISTOR, FIXED CARBON FILM	680 1/4W 5 TA26	
		R505	ORD6800G608	RESISTOR, FIXED CARBON FILM	680 1/4W 5 TA26	
		R506	ORD6800G608	RESISTOR, FIXED CARBON FILM	680 1/4W 5 TA26	

[REPLACEMENT PARTS LIST]					PAGE : 17	
MODEL : GEK-S525 BG2		SET PART NO : 117-013B			RUN-DATE : 93.07.27	
S	AL	LOCA.NO	PART NO(GS)	DESCRIPTION	SPECIFICATION	REMARKS
		R507	ORD6800G608	RESISTOR, FIXED CARBON FILM	680 1/4W 5 TA26	
		R508	ORD6800G608	RESISTOR, FIXED CARBON FILM	680 1/4W 5 TA26	
		R509	ORD6800G608	RESISTOR, FIXED CARBON FILM	680 1/4W 5 TA26	
		R510	ORD6800G608	RESISTOR, FIXED CARBON FILM	680 1/4W 5 TA26	
		R511	ORD6800G608	RESISTOR, FIXED CARBON FILM	680 1/4W 5 TA26	
		R512	ORD6800G608	RESISTOR, FIXED CARBON FILM	680 1/4W 5 TA26	
		R513	ORD6800G608	RESISTOR, FIXED CARBON FILM	680 1/4W 5 TA26	
		R514	ORD6800G608	RESISTOR, FIXED CARBON FILM	680 1/4W 5 TA26	
		R515	ORD6800G608	RESISTOR, FIXED CARBON FILM	680 1/4W 5 TA26	
		R516	ORD6800G608	RESISTOR, FIXED CARBON FILM	680 1/4W 5 TA26	
		R517	ORD6800G608	RESISTOR, FIXED CARBON FILM	680 1/4W 5 TA26	
		R518	ORD6800G608	RESISTOR, FIXED CARBON FILM	680 1/4W 5 TA26	
		R601	ORD6800G608	RESISTOR, FIXED CARBON FILM	680 1/4W 5 TA26	
		R602	ORD6800G608	RESISTOR, FIXED CARBON FILM	680 1/4W 5 TA26	
		R603	ORD6800G608	RESISTOR, FIXED CARBON FILM	680 1/4W 5 TA26	
		R604	ORD6800G608	RESISTOR, FIXED CARBON FILM	680 1/4W 5 TA26	
		R605	ORD6800G608	RESISTOR, FIXED CARBON FILM	680 1/4W 5 TA26	
		R606	ORD6800G608	RESISTOR, FIXED CARBON FILM	680 1/4W 5 TA26	
		R701	ORD1002G608	RESISTOR, FIXED CARBON FILM	10K 1/4W 5 TA26	
		R703	ORD1002G608	RESISTOR, FIXED CARBON FILM	10K 1/4W 5 TA26	
		R705	ORD1002G608	RESISTOR, FIXED CARBON FILM	10K 1/4W 5 TA26	
		R706	ORD1002G608	RESISTOR, FIXED CARBON FILM	10K 1/4W 5 TA26	
		SW201	554-620C	SWITCH UNIPUSH		*SW, PUSH SDWIP H6.5 M3
		VR201	611-638C	RESISTOR VARIABLE		NOT USE, RK16312A113B
		VR202	611-638C	RESISTOR VARIABLE		NOT USE, RK16312A113B
		VR203	611-635A	RESISTOR VARIABLE		VR, R/RK0971220A0314A
		VR601	612-614B	RESISTOR SLIDE		RS601111C00113A
		VR602	612-614C	RESISTOR SLIDE		RS601111C00113B
		VR603	612-614C	RESISTOR SLIDE		RS601111C00113B
		VR604	612-614C	RESISTOR SLIDE		RS601111C00113B
		VR605	612-614C	RESISTOR SLIDE		RS601111C00113B
		X101	617T602U	CRYSTAL		48.0000MHZ(20PF) KONY
		ZD101	ODZ510009HA	DIODE, ZENER		MTZ5.1-B T-77 5.1V TP, ROHM/K
		X102	617T602V	CRYSTAL		10.0000MHZ(22PF) KONY
		X301	617T605Z	CRYSTAL		4.194304MHZ HYOSUNG
						*** END OF DATA ***