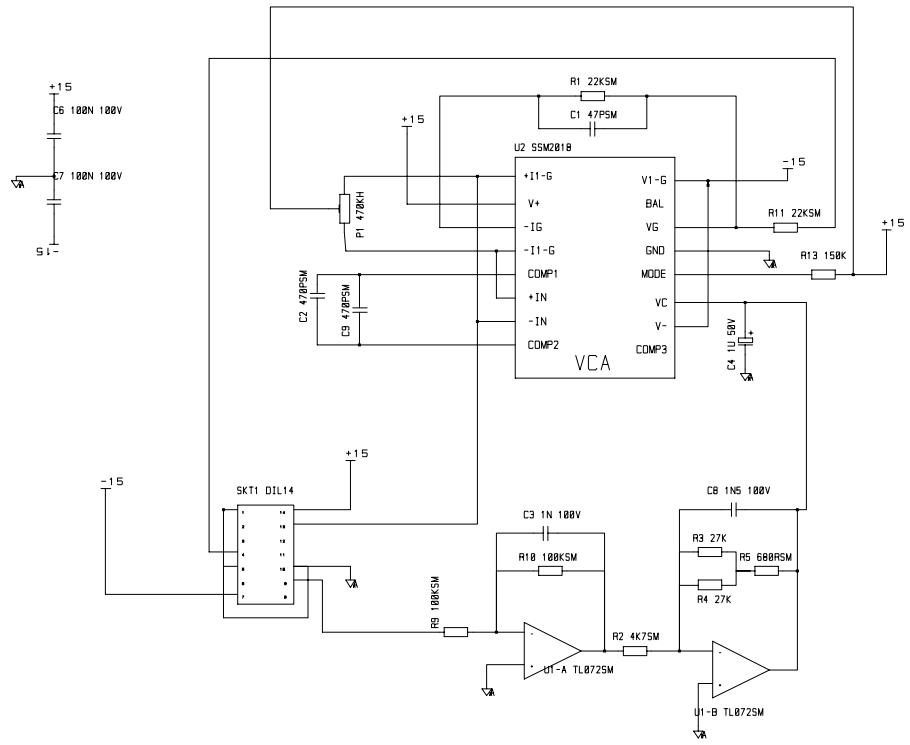


ISSUE	DESCRIPTION	APPD.	DATE
2.2	SG1 FROM SG200 TO SG64	R.J.F	5/11/96
2.1	SSM2013 OBSOLETE / PCB 9099 ADDED	R.J.F	6/96



**TITLE**  
**MX 1200 CIRCUIT**  
**DIAGRAM**  
 PART No

DRAWN	TRACED	CHECKED	APPROVED	DATE
D.E.H.				2/10/91
DRAWING No.			1798	



DRAWN	R. J. F
DATE	12/01/96
TITLE	MX VCA PCB

ISSUE	ISSUE TWO 18/09/96						
TYPE							

DRW. NO.	9099
----------	------