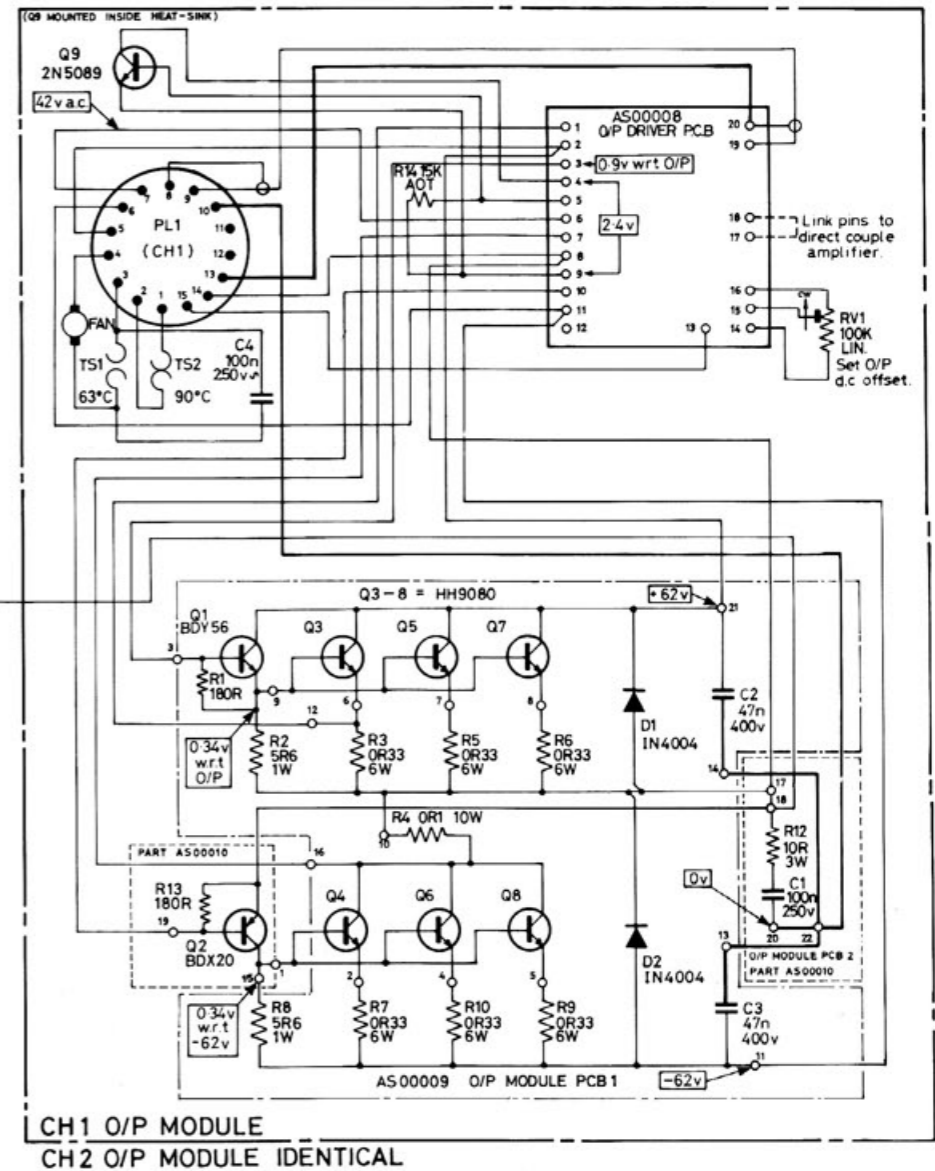
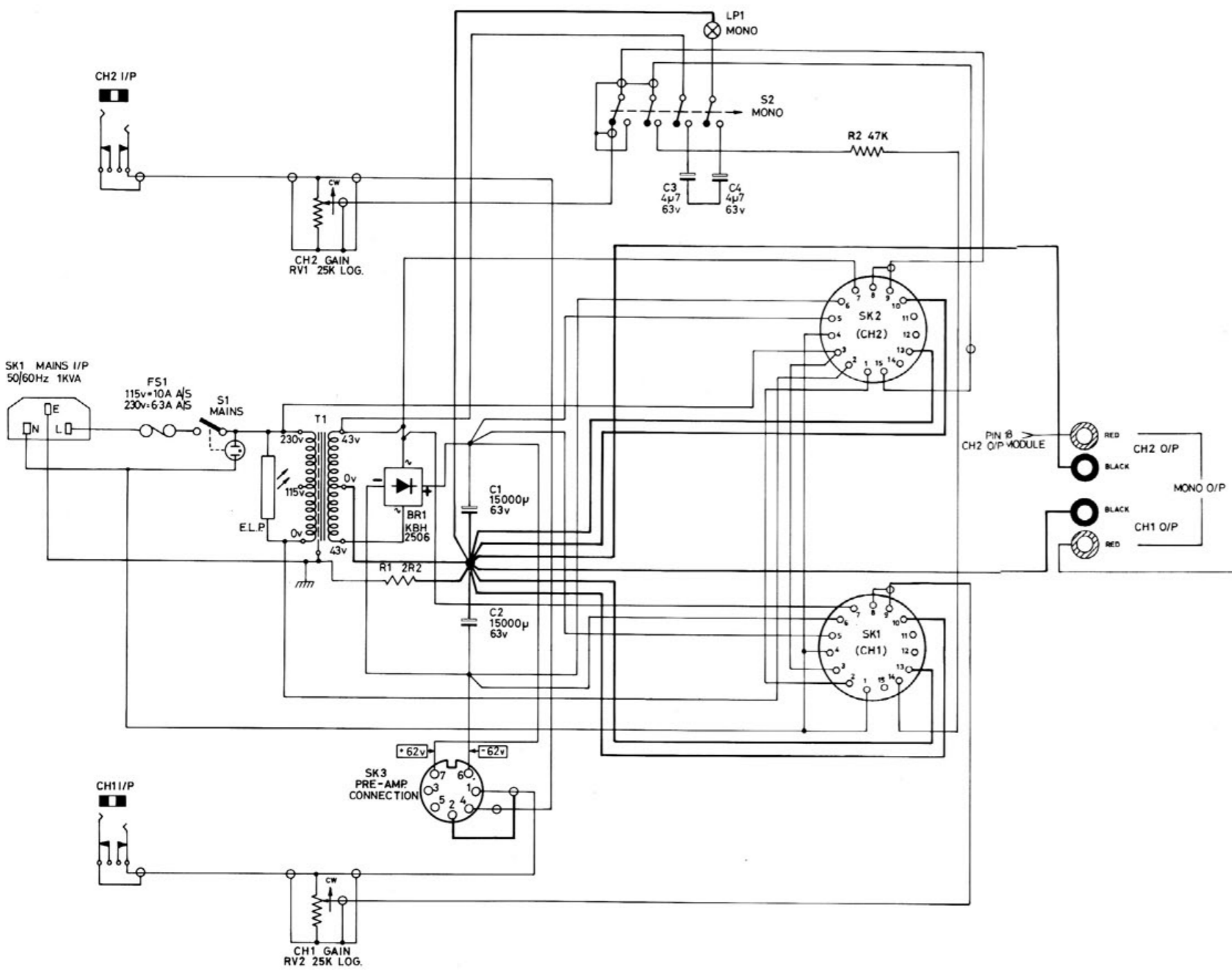


Section 8 Circuit Diagram



NOTE: VOLTAGES MARKED THUS $-62v$ ARE MEASURED WITH RESPECT TO 0v (UNLESS OTHERWISE INDICATED) USING A VOLTMETER OF $\geq 20K\Omega/V$ SENSITIVITY AND THE AMPLIFIER UNDER NO SIGNAL CONDITIONS.

| ISSUE | 1 | 2 | 3 |
|-----------------------|---------|---------|----------|
| DATE | 28-7-76 | 27-8-76 | 25-10-76 |
| DESCRIPTION OF CHANGE | | | |

| | | | | | |
|----------|--------------------------------|-------------------|--|--------|---------------------|
| APPROVED | SCALE | CONFORMS TO BS308 | TOLERANCES UNLESS OTHERWISE STATED | | |
| | | | LINEAR | ANGLES | HOLES \varnothing |
| CHECKED | DIMENSIONS IN | | MATERIAL | | |
| | PROJECTION 3RD ANGLE | | | | |
| DRAWN | DIMENSIONS APPLY AFTER PLATING | | TITLE | | |
| G.TANNER | | | S500D PROFESSIONAL POWER AMPLIFIER CIRCUIT DIAGRAM | | |

VIKING WAY, BAR HILL, CAMBRIDGE CB3 8EL TELEPHONE: CRAFTS HILL (0954) 81140 (5 LINES) TELEX: 817515 HH ELEC G

HH electronic FINISH DRG. No. C/AC 200015