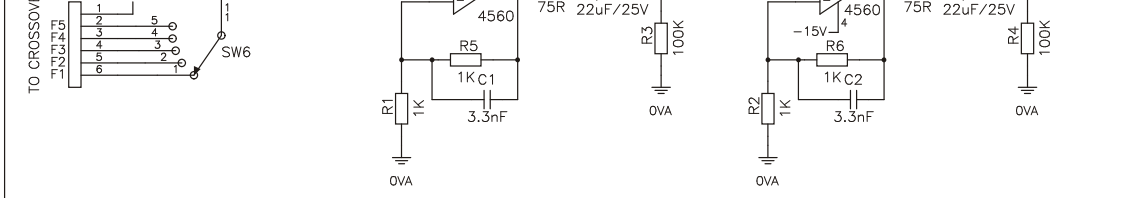
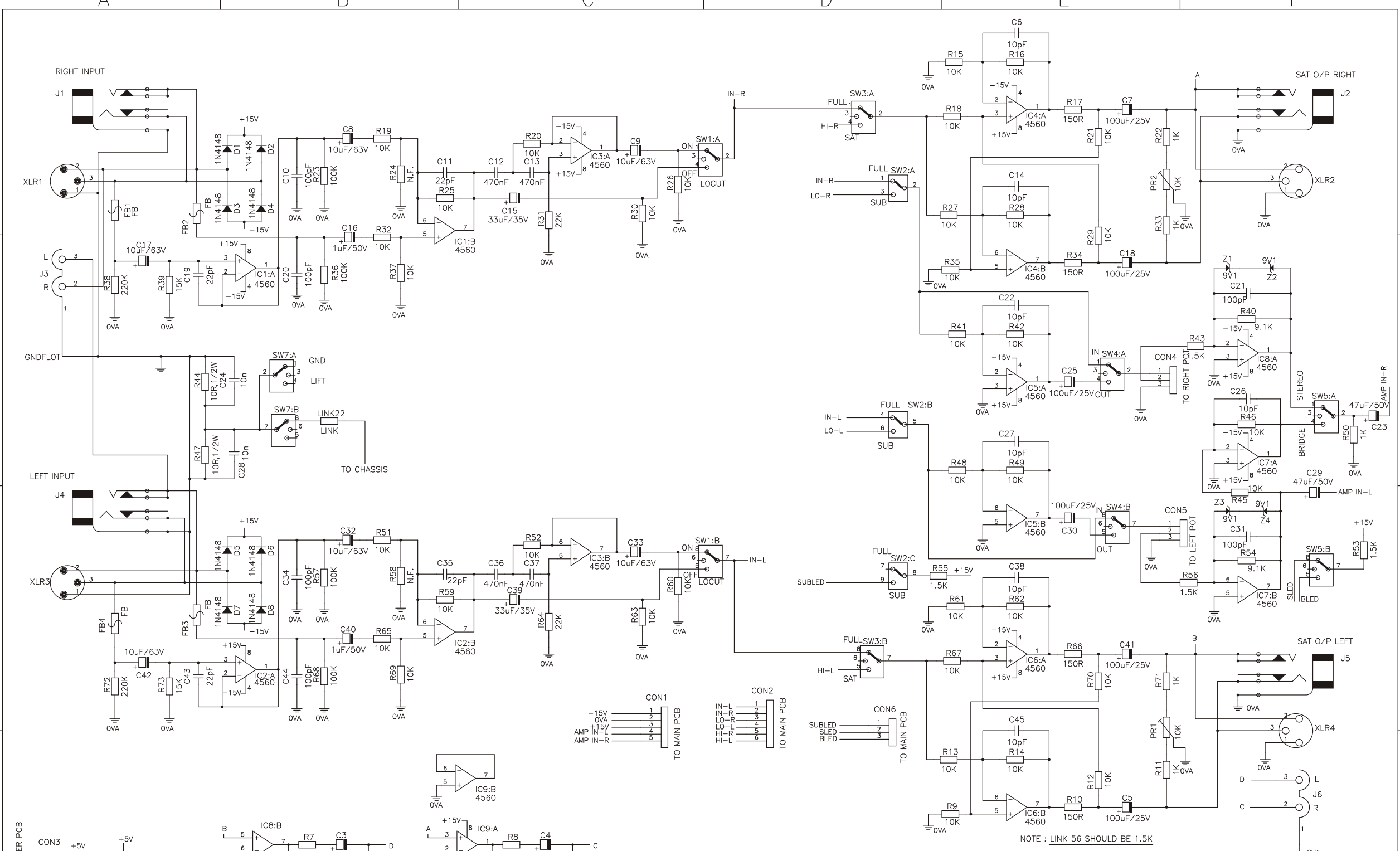
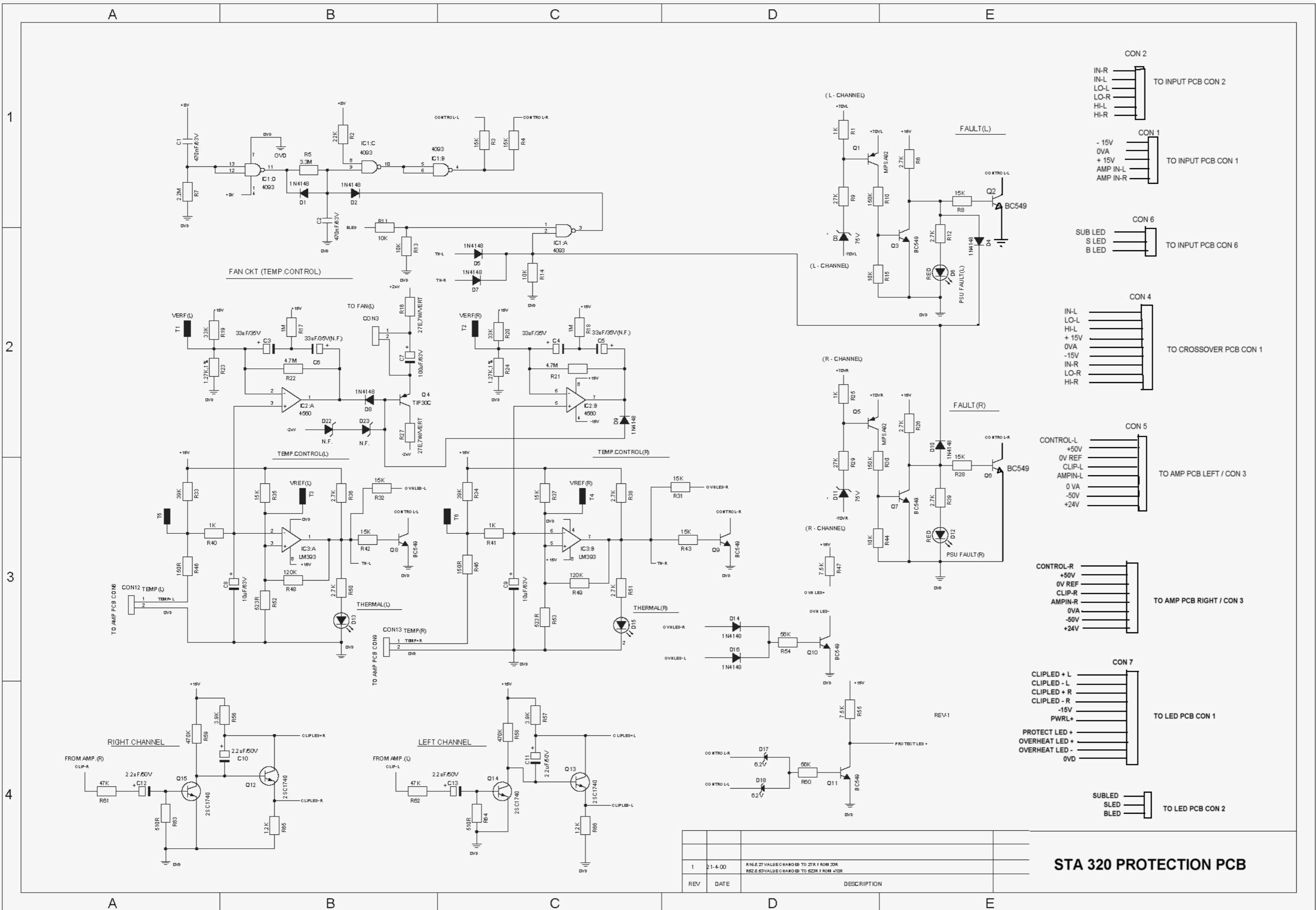


MODEL	STIA320	Title SCHEMATIC FOR CROSSOVER PCB		
PCBNO	9803070	Size	Number	Rev
DES' BY	Surajit	A3	9803069	
CHK' BY		Date	28.11.98	Drawn by Surajit
APPD' BY		Filename	CROSS.S01	Sheet 2 of 2



NOTE : LINK 56 SHOULD BE 1.5K

REV	DATE	DESCRIPTION	SIGN	MODEL	PCBNO	DES' BY	CHK' BY	APPD'BY	STA-320	Title	Size	Number	Rev
3	20.12.00	R53 WAS LINK			PCBUTA22-5	Surajit				SCHMATIC FOR INPUT PCB	A2	PCBUTA22	3
2	21.4.00	D1 TO D8 (1N4148) & Z1 TO Z2 (9.1V) ADDED											
										Date	4.2.99	Drawn by	Surajit
										Filename	INP.S01	Sheet	1 of 5



REV	DATE	DESCRIPTION
1	21-4-00	R16 & 27 VALUE MARKED TO 27K FROM 33K R52 & 53 VALUE MARKED TO 52K FROM 47K

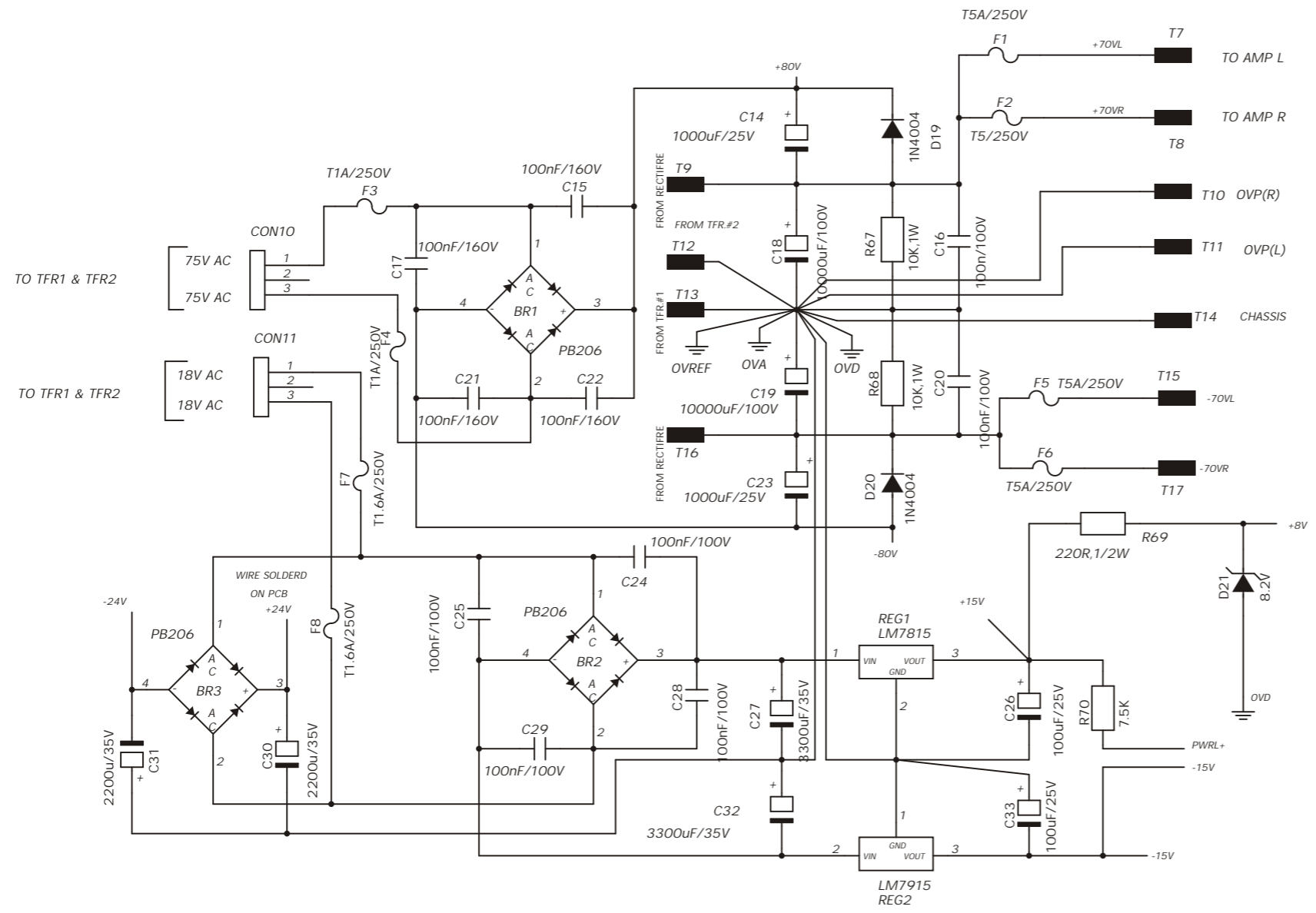
STA 320 PROTECTION PCB

A

B

C

D



					MODEL	STA-320	Title:- SCHEMATIC FOR POWER SUPPLY PCB		
					PCBNO	9807002-3	Size	Drg.Number:- 9807001	
1	21-4-00	F7 & F8 VALUE CHANGE TO 1.6A FROM 1A							Rev 1
REV	DATE	DISCRIPTION			SIGN	DES' BY	Date:- 21.4.00		Drawn by:- Surajit
					APPD'BY	Surajit	Filename:-	POW-OP.S02	Sheet 2 Of 2

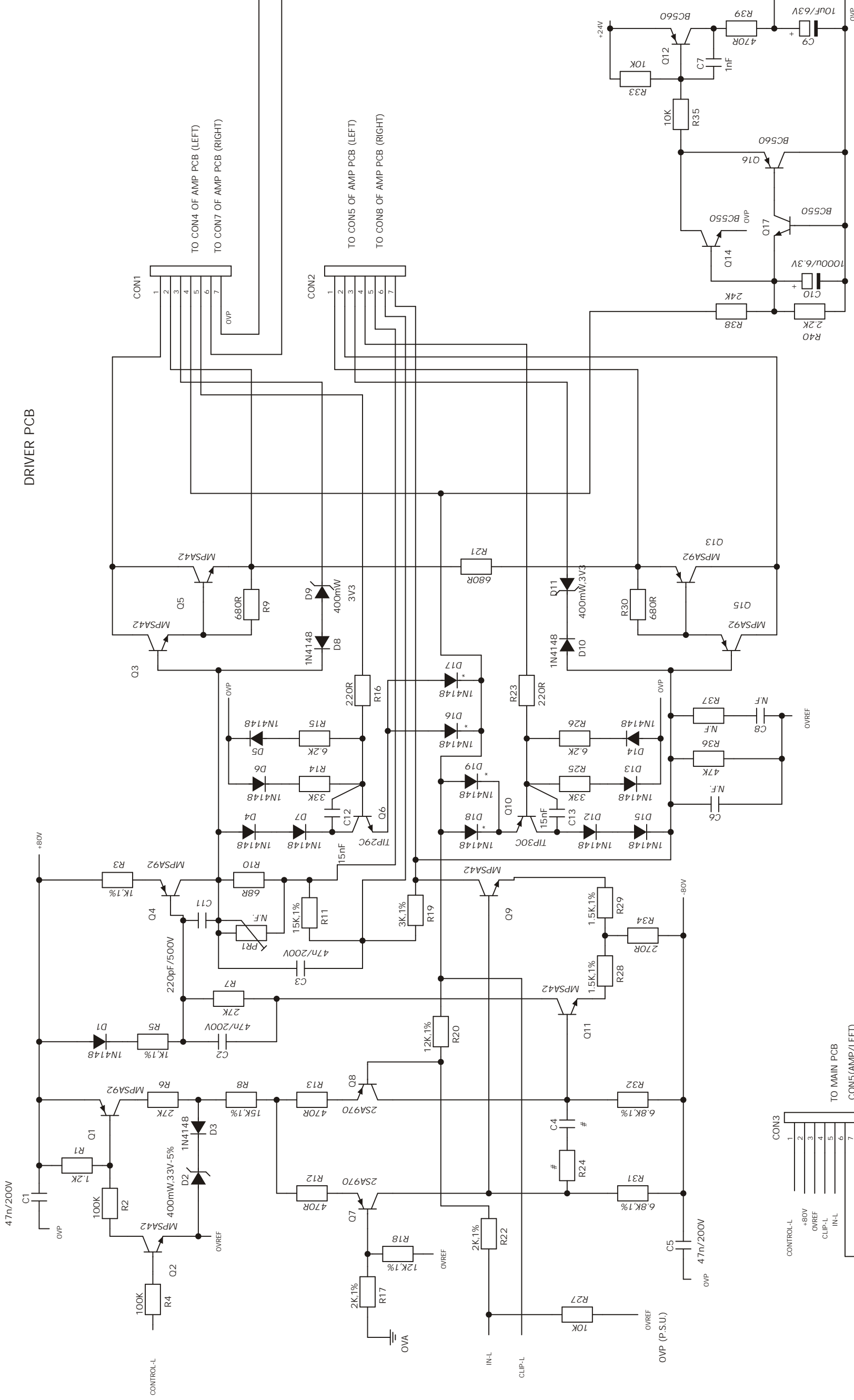
A

B

C

D

DRIVER PCB



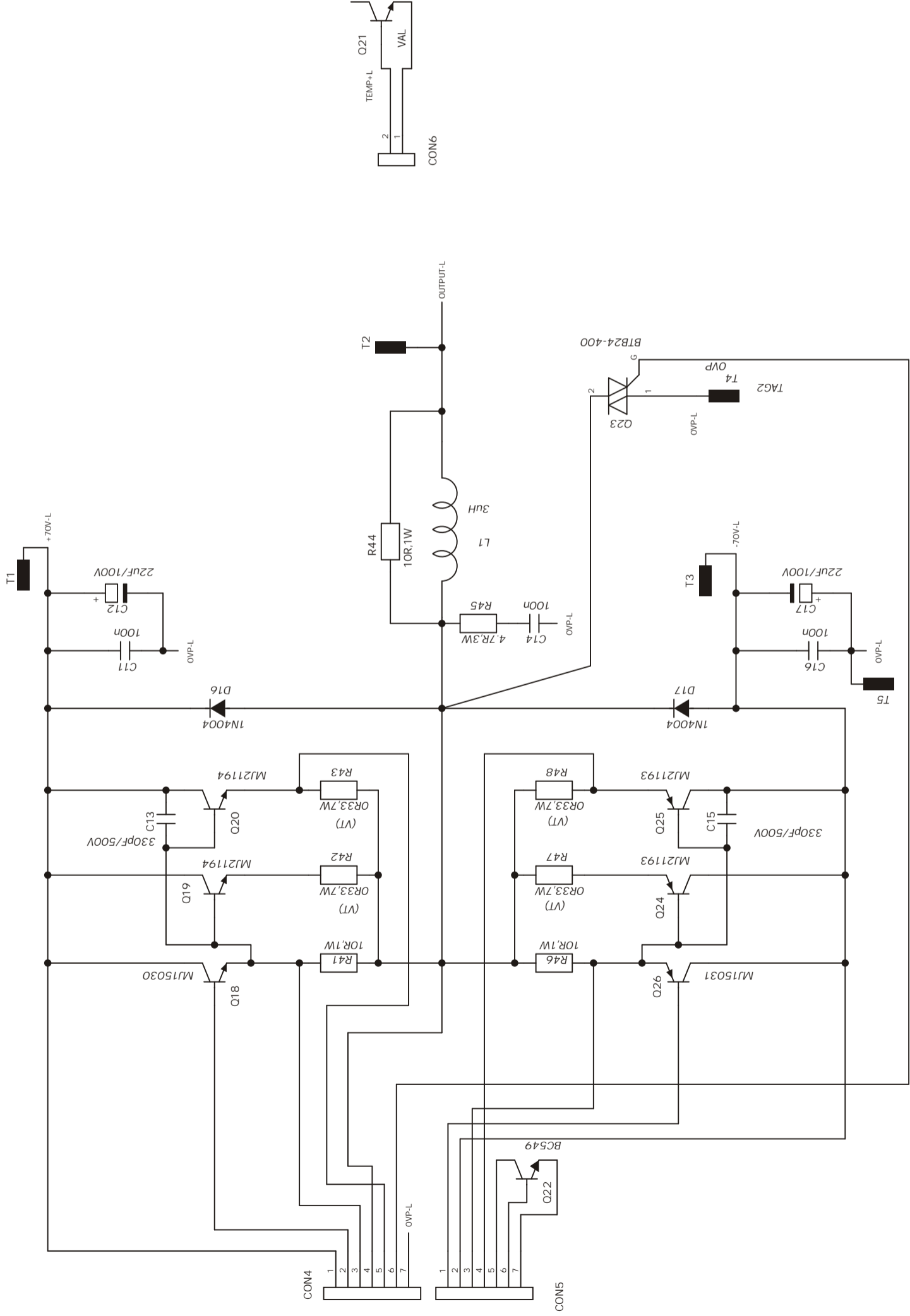
REV.	DATE	DESCRIPTION	ENGG SIGN	DRN BY	APPD BY	DES: BY	PCBNO	Size	Drg.Number:-	Rev
3	21/04/00	O6 & O10 CHANGED TO TIP29C & TIP30C FROM BC549 & BC559 RESP.								
2	7/10/99	C12 AND C13 ADDED								
4	24/1/02	D16,D17,D18 & D19 ADDED FROM TRACK SIDE								

REV.	DATE	DESCRIPTION	ENGG SIGN	DRN BY	APPD BY	DES: BY	PCBNO	Size	Drg.Number:-	Rev
1	07/10/99									

NOTE:-

* MARKED COMPONENT MOUNTED FROM TRACK SIDE

POWER AMPLIFIER(LEFT CHANNEL)



REV.	DATE	DESCRIPTION	ENG SIGN	DRN BY	APP'D BY
2	23/02/02	Q19,Q20,Q28 & Q29 CHANGE FROM MJ15022 TO MJ21194 & Q24,Q25-Q33 & Q34 CHANGE FROM MJ15023 TO MJ21193	SHRI	SHRI	SHRI
1	21-4-00	Q18 & Q26 CHANGE TO MJ15030 & MJ15031 FROM 25C4793 & 25A1837	SHRI	SHRI	SHRI

STA-320	MODEL	Size	Date:-	Filename:-	Sheet	1 Of
		9806043	23/2/02	NEWAMP1_S01	1	2

Title:- SCHEMATIC FOR AMP PCB

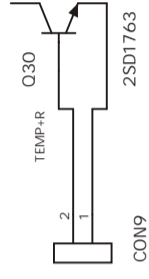
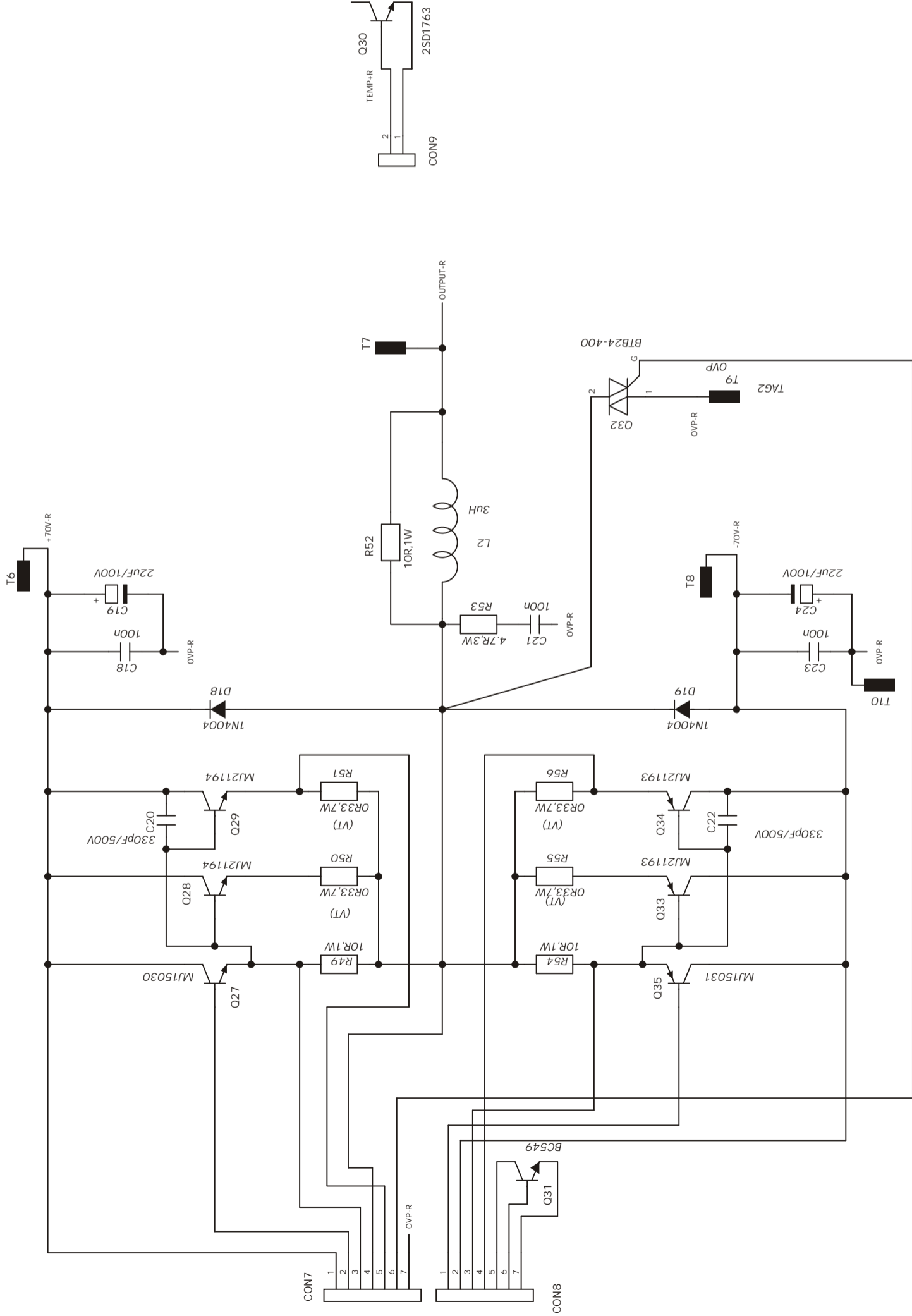
Drg.Number:- 9806042

Rev 2

Drawn by:- Shrikant

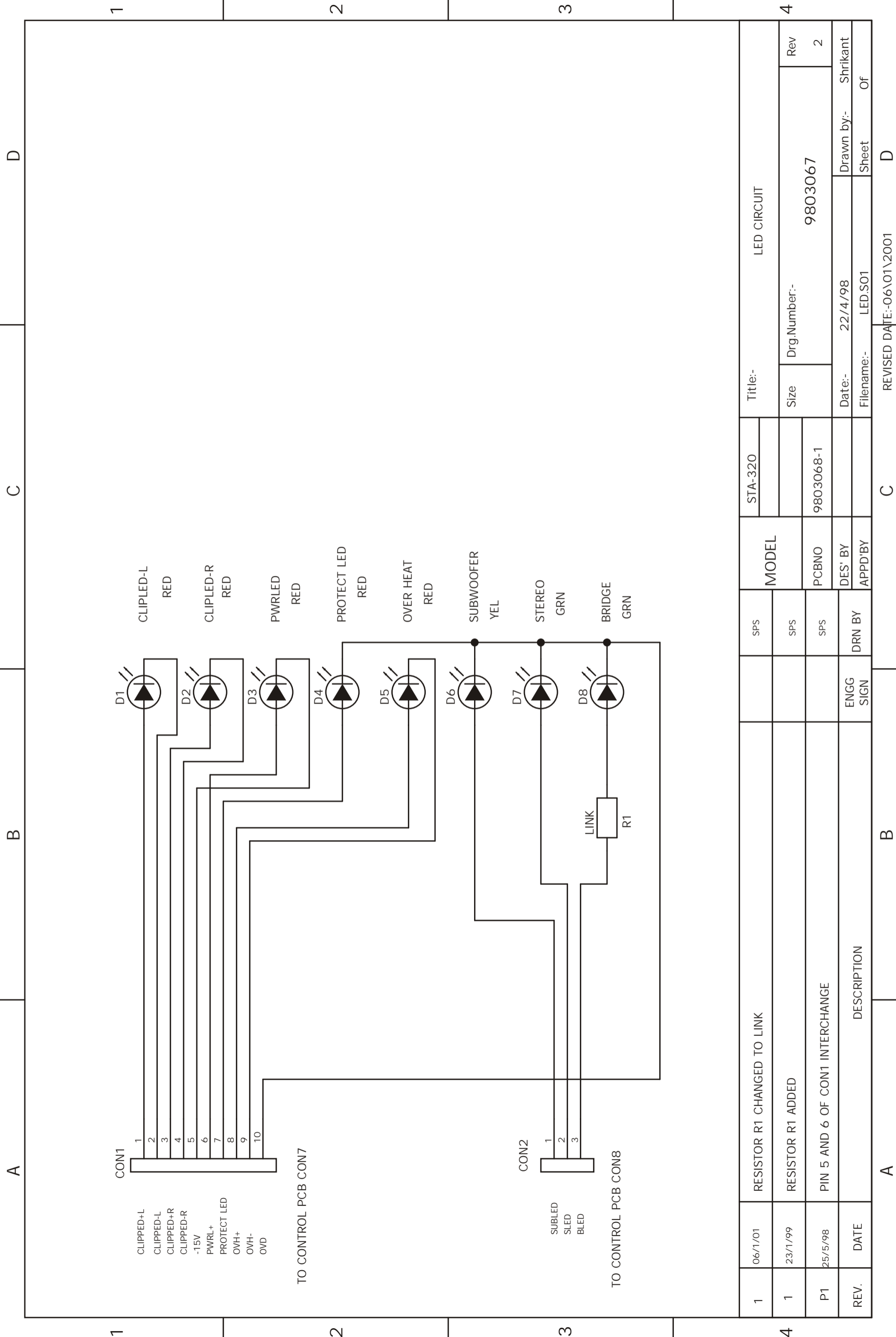
Sheet 1 Of 2

POWER AMPLIFIER(RIGHT CHANNEL)



REV.	DATE	DESCRIPTION	ENGG SIGN	DRN BY	DES' BY	PCBNO	Size	Title:-
2	23/02/02	Q19,Q20,Q28 & Q29 CHANGE FROM MJ15022 TO MJ21194 & Q24,Q25,Q33 & Q34 CHANGE FROM MJ15023 TO MJ21193		SHRI	SHRI	9806043	9806043	SCHEMATIC FOR AMP PCB
1	21-4-00	Q27 & Q35 CHANGE TO MJ15030 & MJ15031 FROM 25C4793 & 25A1837		SHRI	SHRI	9806043	9806042	9806042

STA-320	MODEL	DATE:-	Filename:-	Drawn by:-	Sheet	2 Of
		23/02/2002	NEWAMP1_S02	Shrikant	2	2



1 2 3 4

D

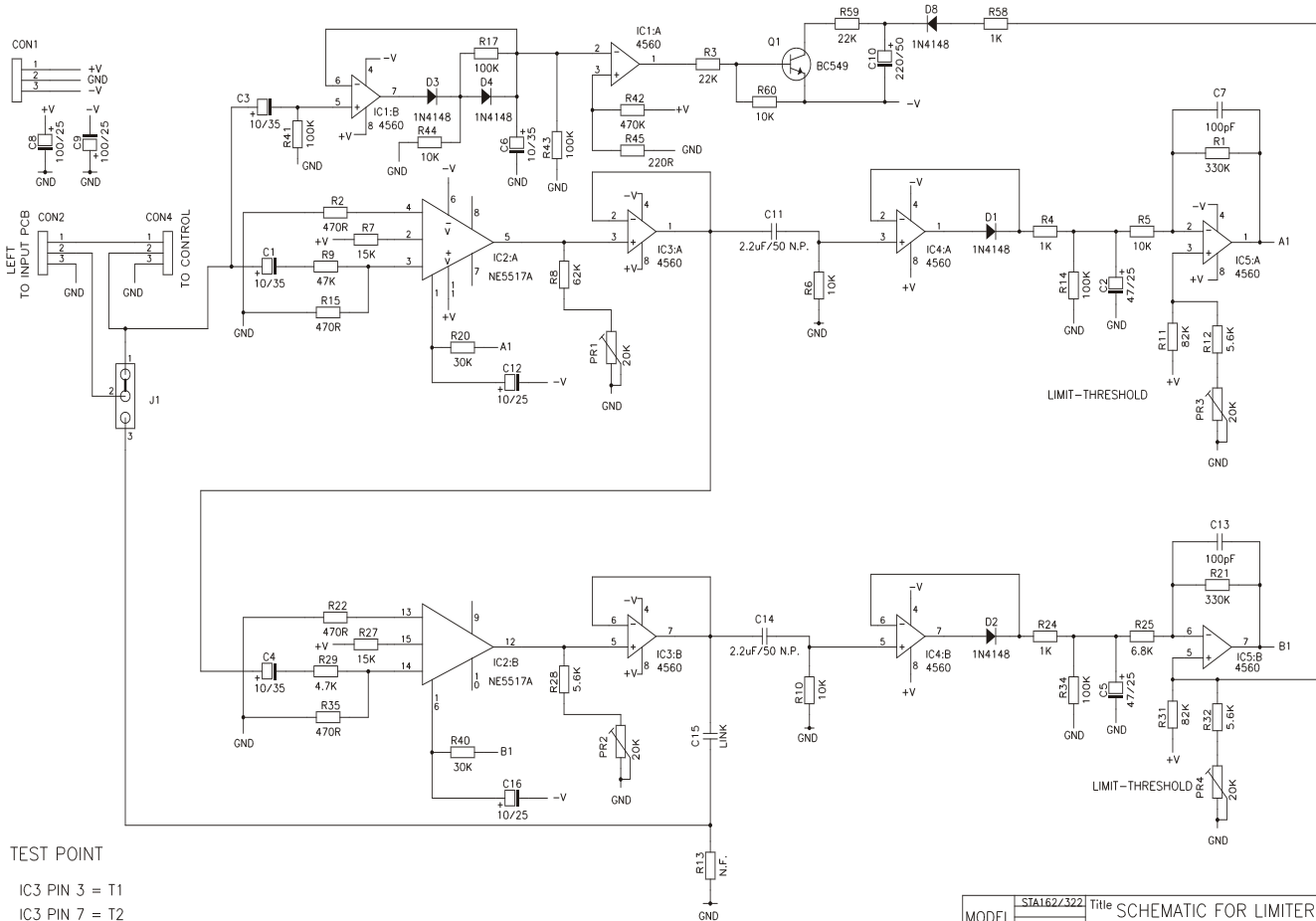
C

B

A

1 2 3 4

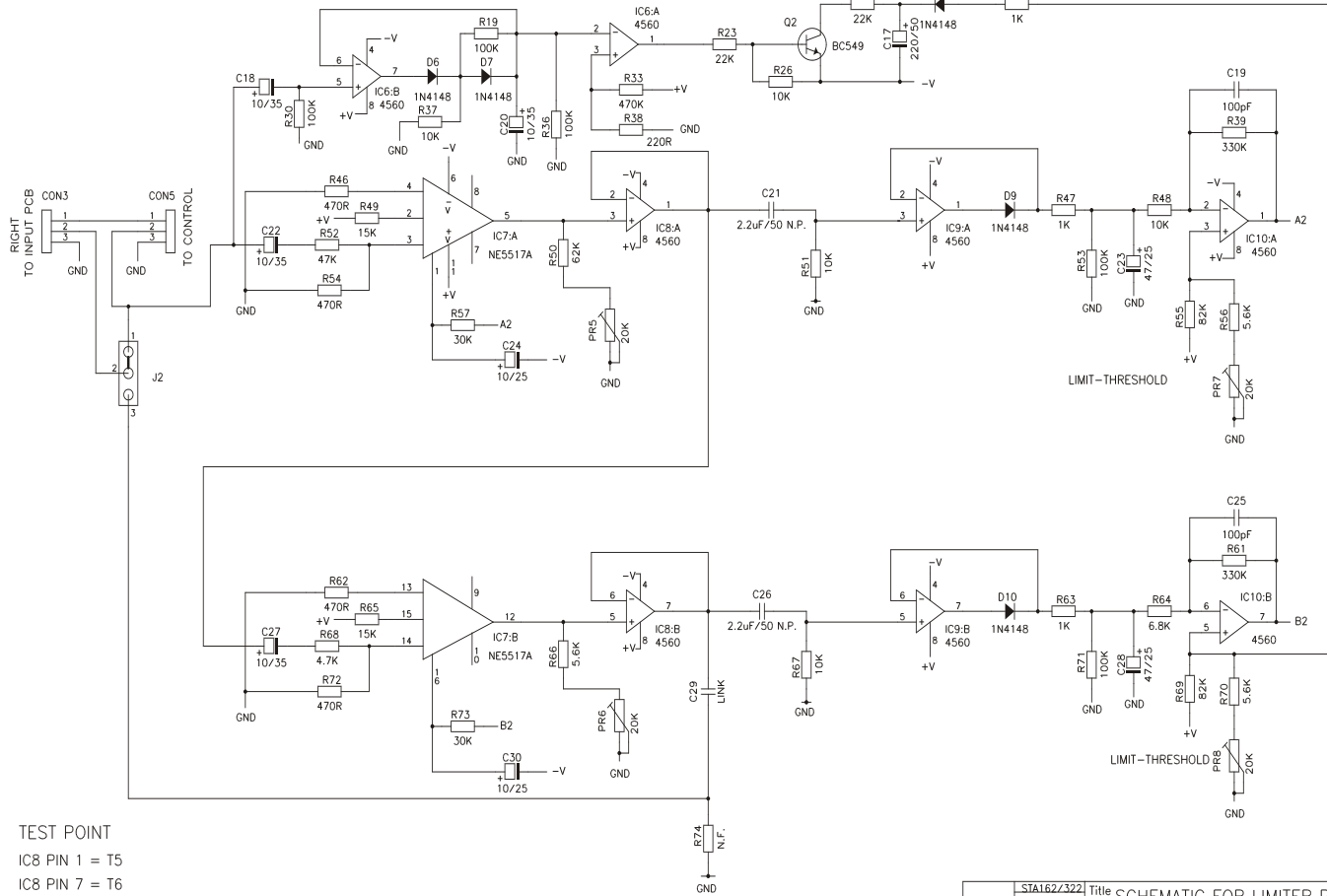
1	06/1/01	RESISTOR R1 CHANGED TO LINK	SPS	STA-320	LED CIRCUIT	Size	9803067	Rev	2
1	23/1/99	RESISTOR R1 ADDED	SPS			Drg.Number:-	9803067	Date:-	22/4/98
P1	25/5/98	PIN 5 AND 6 OF CON1 INTERCHANGE	SPS	9803068-1	MODEL	Filename:-	LED.S01	Drawn by:-	Shrikant
REV.	DATE	DESCRIPTION	ENGG SIGN	DRN BY	APPD'BY	Sheet	Of		
			REVISED DATE:-06\01\2001						



TEST POINT

- IC3 PIN 3 = T1
- IC3 PIN 7 = T2
- IC5 PIN 3 = T3
- IC5 PIN 5 = T4

MODEL	ST162Z/322	Title	SCHEMATIC FOR LIMITER PCB	
PCBNO	PCBUWA22-0	Size	A3	Number
DES' BY	Surajit		PCBUWA22	Rev
CHK' BY		Date	29.4.03	0
APP'D'BY		Filename	LAA.S01	Drawn by
			Surajit	Sheet
			1	of



TEST POINT

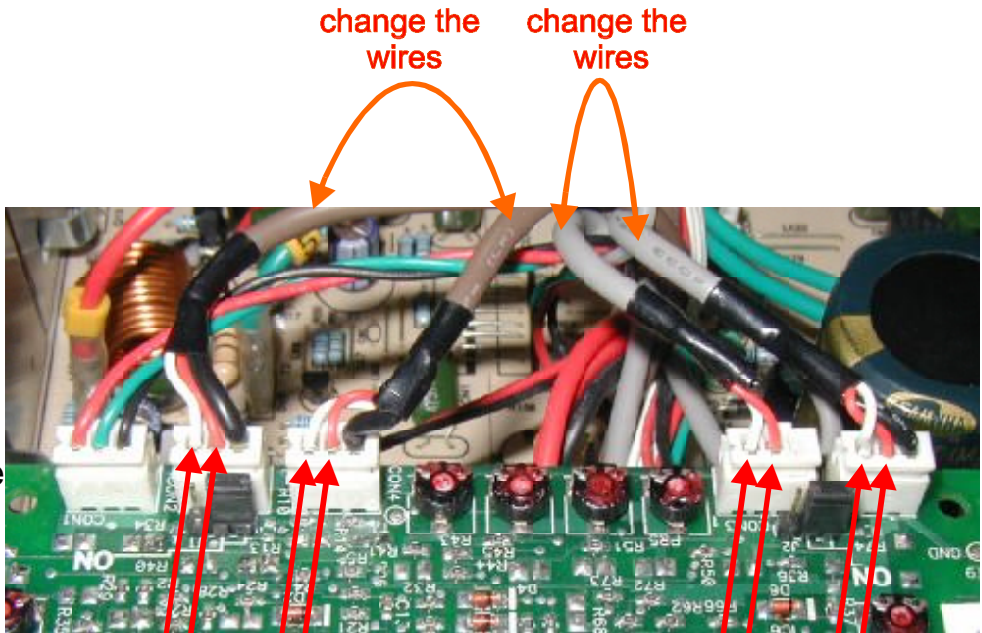
- IC8 PIN 1 = T5
- IC8 PIN 7 = T6
- IC10 PIN 3 = T7
- IC10 PIN 5 = T8
- GROUND TEST PIN = T9

MODEL	ST1A16Z/32Z	Title	SCHEMATIC FOR LIMITER PCB		
PCBNO	PCBUWA22-0	Size	A3	Number	PCBUWA22
DES' BY	Surajit	Date	29.4.03	Drawn by	Surajit
CHK' BY		Filename	LAA:S02	Sheet	2 of
APPD' BY					

Modification for the STA-162 Limiter wiring

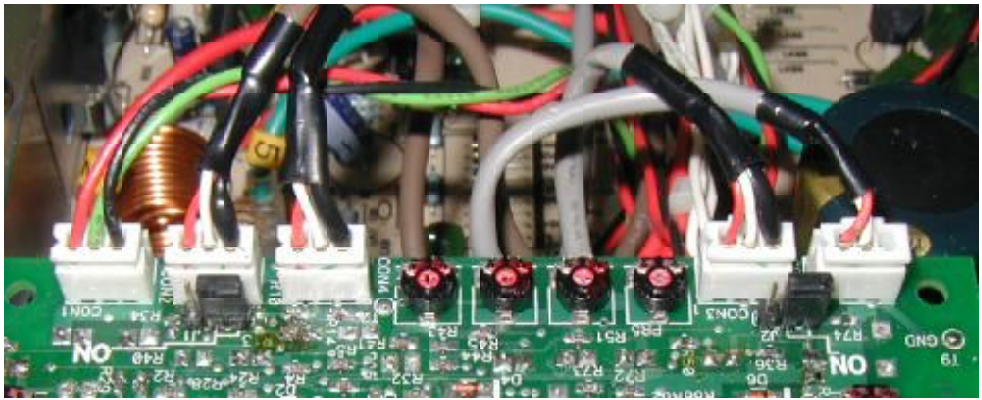
With this modification the limiter circuit will be set before the volume control.

This picture shows the circuit **before** the change

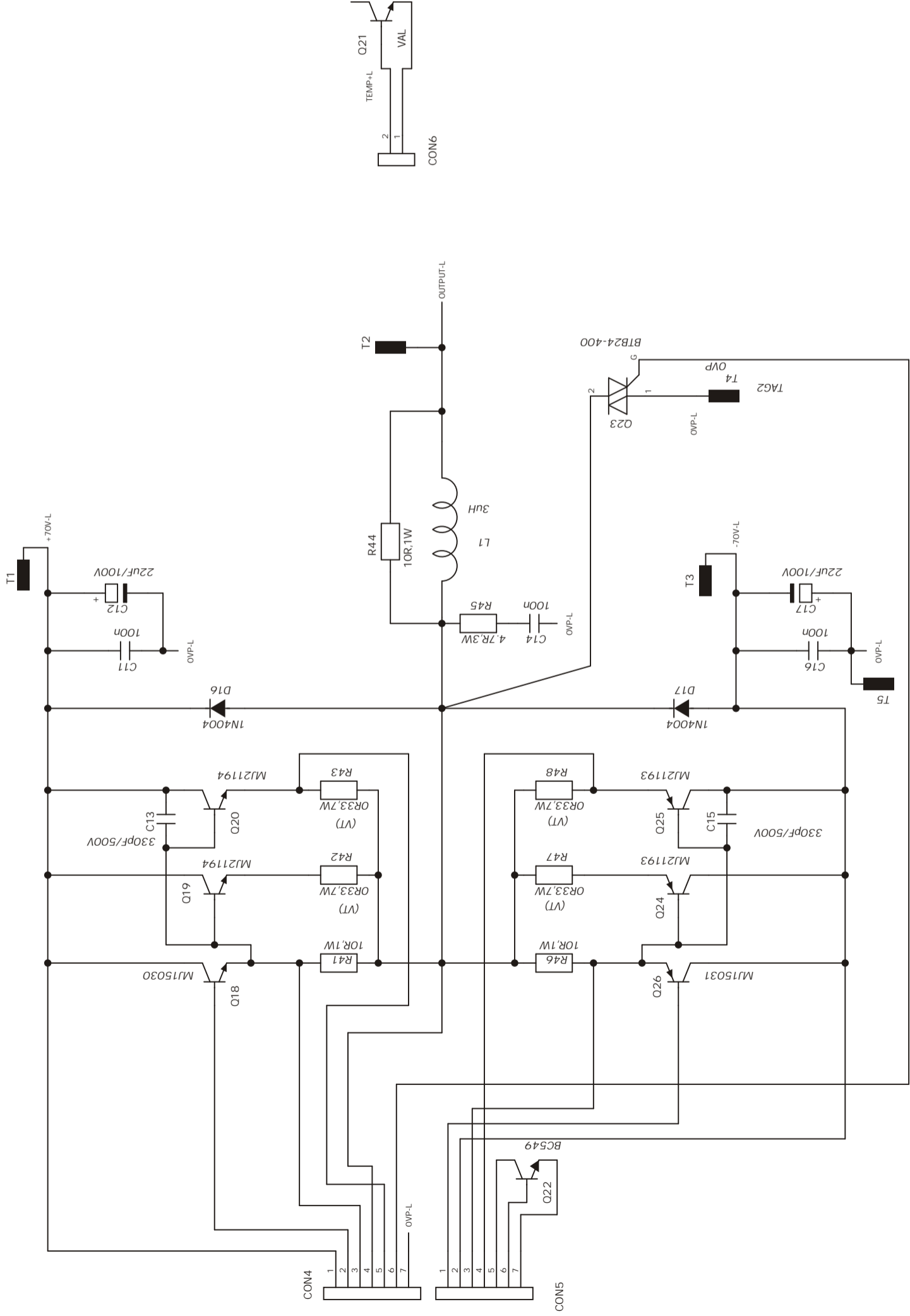


change the red and the white wire in every connector

This picture shows the circuit **after** the change



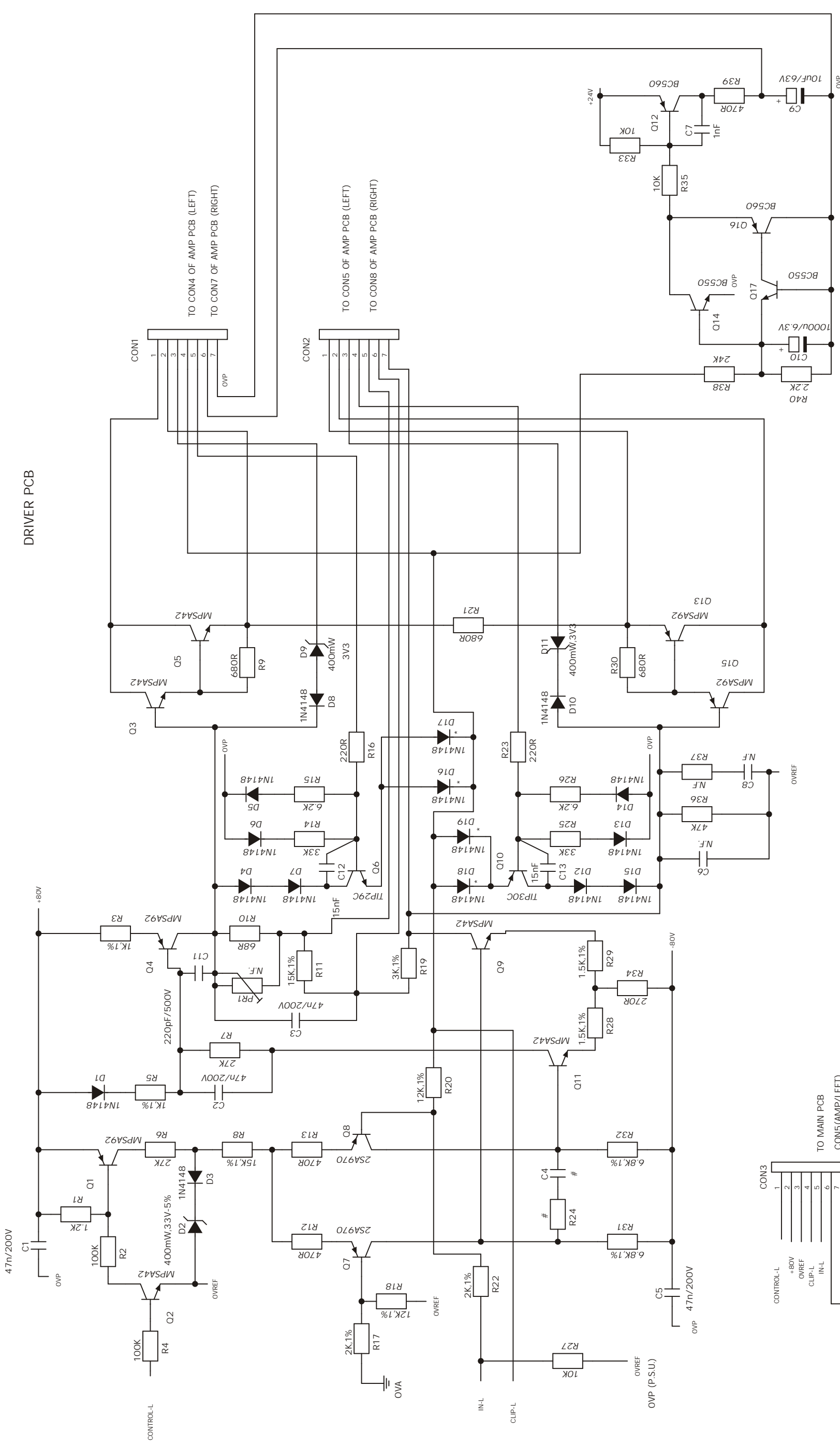
POWER AMPLIFIER(LEFT CHANNEL)



REV.	DATE	DESCRIPTION
2	23/02/02	O19,Q20,Q28 & Q29 CHANGE FROM MJ15022 TO MJ21194 & Q24,Q25-Q33 & Q34 CHANGE FROM MJ15023 TO MJ21193
1	21-4-00	O18 & O26 CHANGE TO MJ15030 & MJ15031 FROM 2SC4793 & 2SA1837

STA-320	MODEL	Size	Date:-	Filename:-	Sheet	1 Of
	SHRI	9806043	23/2/02	NEWAMP1_S01	1	2
	SHRI					
	DES: BY					
	APPD:BY					

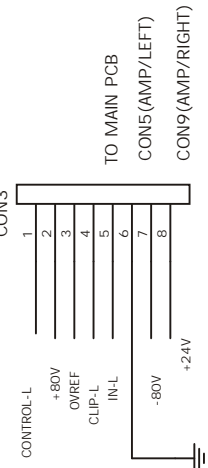
DRIVER PCB



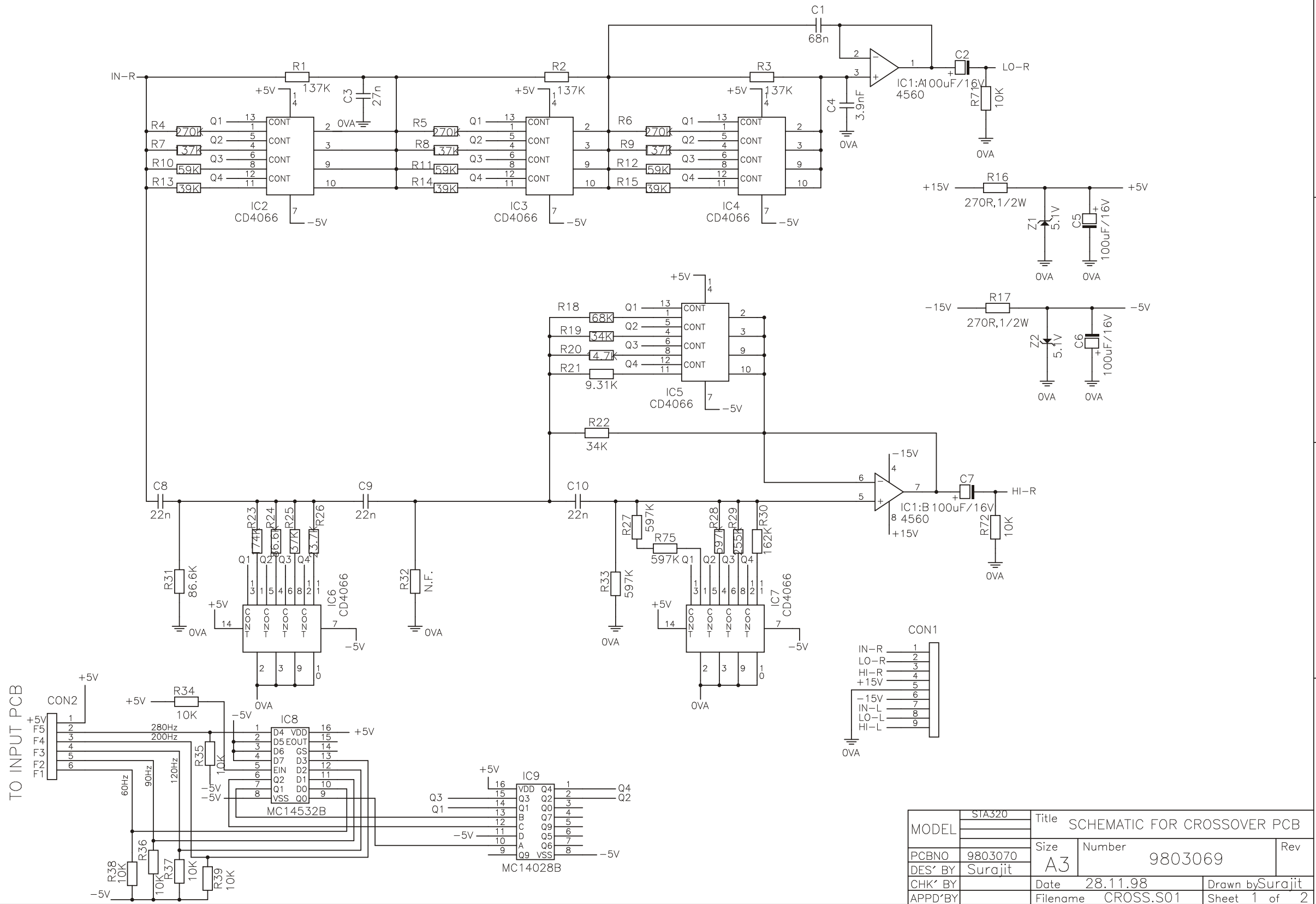
REV.	DATE	DESCRIPTION	ENGG SIGN	DRN BY	APPD BY	FILENAME	DATE	Drawn by:-	Sheet	1 Of
3	21/04/00	O6 & O10 CHANGED TO TIP29C & TIP30C FROM BC549 & BC559 RESP.				NEWDRV1.S01	07/10/99	Strikant	1	1
2	7/10/99	C12 AND C13 ADDED								
4	24/1/02	D16, D17, D18 & D19 ADDED FROM TRACK SIDE								

REV.	DATE	DESCRIPTION	ENGG SIGN	DRN BY	APPD BY	FILENAME	DATE	Drawn by:-	Sheet	1 Of
3	21/04/00	O6 & O10 CHANGED TO TIP29C & TIP30C FROM BC549 & BC559 RESP.				NEWDRV1.S01	07/10/99	Strikant	1	1
2	7/10/99	C12 AND C13 ADDED								
4	24/1/02	D16, D17, D18 & D19 ADDED FROM TRACK SIDE								

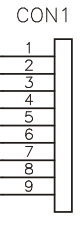
NOTE:-
* MARKED COMPONENT MOUNTED FROM TRACK SIDE



SCHEMATIC FOR DRV PCB
 Title:- STA-320
 MODEL
 Size 9806045-4
 Drg.Number:- 9806044
 Date:- 07/10/99
 Drawn by:- Strikant
 Filename:- NEWDRV1.S01
 Sheet 1 Of 1
 REVISED DATE:29/3/99



TO INPUT PCB



MODEL	STIA320	Title SCHEMATIC FOR CROSSOVER PCB		
PCBNO	9803070	Size A3	Number 9803069	Rev
DES' BY	Surajit	Date 28.11.98	Drawn by Surajit	
CHK' BY		Filename CROSS.S01	Sheet 1 of 2	
APPD' BY				