

## FENDER J.A.M. GUITAR AMPLIFIER

0226200 (120V)  
 0226240 (240V)  
 0226250 (220V)  
 0226270 (100V)

## PARTS LIST PAGE 1 OF 5

**NOTICE:**

The information contained herein is CONFIDENTIAL and PROPRIETARY to Fender Musical Instruments. It is disclosed solely for use by qualified technicians for purposes of equipment maintenance and service. It is not to be disclosed to others without the express permission of Fender Musical Instruments. All specifications subject to change without notice.

## &lt;&lt;&lt; PCB ASSEMBLY &gt;&gt;&gt;

QTY	PART #	DESCRIPTION	REFERENCE DESIGNATION
1	036499	PCB FABRICATION	PC1 (BLANK)
1	036500	PCB ASSEMBLY (120V)	PCB1 (STUFFED)
1	036710	PCB ASSEMBLY (100V)	PCB1 (STUFFED)
1	036711	PCB ASSEMBLY (220/240V)	PCB1 (STUFFED)
4	9905301010	BARREL TERMINAL	BT1-4
2	004026	CAPCD 1KV 22pF 10%	C14,42
2	025979	CAPCD 1KV 50pF 10%	C33,36
1	069724	CAPCD 1KV 100pF 10%	C23
1	007029	CAPCD 1KV 220pF 10%	C50
1	020867	CAPCD 1KV 330pF 10%	C12
1	025777	CAPCD 1KV 470pF 10%	C3
1	017518	CAPCD 1KV 560pF 10%	C9
4	033605	CAPRE 50V .15uF 20%	C13,16,17,34
2	033606	CAPRE 50V .47uF 20%	C2,4
2	028458	CAPRE 50V 1uF 20%	C39,43
3	028459	CAPRE 50V 2.2uF 20%	C20,22,26
1	028460	CAPRE 50V 4.7uF 20%	C21
5	028465	CAPRE 25V 22uF 20%	C15,18,31,46,47
4	028471	CAPRE 50V 47uF 20%	C24,29,30,37
1	028479	CAPRE 25V 220uF 20%	C40
2	033607	CAPRE 35V2200uF 20%	C27,28
2	027278	CAPRF 63V .1uF 10%	C25,38
2	033579	CAPRP 100V.0015 10%	C41,49
2	033580	CAPRP 100V.0022 10%	C5,32
2	033582	CAPRP 100V.0039 10%	C44,51
2	033583	CAPRP 100V.0047 10%	C6,19
6	033590	CAPRP 100V.022 10%	C1,10,11,35,45,54
5	033592	CAPRP 100V.047 10%	C7,8,48,52,53
3	034719	CTRL,50K,B,NO BUSH	R19,20,66(CON,VOL,REV)

FENDER J.A.M. GUITAR AMPLIFIER

PARTS LIST PAGE 2 OF 5

<<< PCB ASSEMBLY (CONTINUED) >>>

QTY	PART #	DESCRIPTION	REFERENCE DESIGNATION
2	034720	CTRL,100K,B,NO BUSH	R73,78 (RATE,DEPTH)
6	064089	DIODE 1N4003 200PRV 1AMP	CR8-13
10	006260	DIODE 1N4448 SIGNAL 75PRV	CR1-7,16-18
2	025996	FUSE,CLIP PCB DUAL	XF1
7	025802	FASTON .250 (120V DOMEST)	CP1,2,7,8,11-13
1	034889	FUSE, 1A (120V DOMEST)	F1
10	025802	FASTON .250 (100/120V EX)	CP1,2,4,6-9,11-13
2	026000	FASTON .187 (100/120V EX)	CP3,5
1	034889	FUSE,1A (100/120V EXPORT)	F1
10	025802	FASTON .250 (220/240V EX)	CP1,2,4,6-10,12,14
2	026000	FASTON .187 (220/240V EX)	CP3,5
1	020786	FUSE 500mA (220/240V EX)	F1 (5mm)
2	020795	FUSE, 2.5A (220/240V EX)	F2,3 (5mm)
4	020775	FUSE CLIP (220/240V EX)	XF2,3 (5mm)
1	029671	IC, MN3007 BBD DEVICE	U7
1	029672	IC, MN3101 BBD DRIVER	U8
4	025929	JACK, PHONE, MONO	J1,2,4,5
1	025931	JACK, PHONE, STEREO	J6
1	025933	JACK, RCA, DUAL	J3
2	9904701440	LED SPACER, .7"	LDS3,4 (at LD3 & LD4)
2	028039	LED RED, ROHM/SLB 5x5mm	LD3,4
2	9902202281	LED RED, T-1 lens	LD1,2
1	034706	N-CHAN JFET J-230	Q1
5	016795	OP-AMP DUAL JFET TL072P	U1,2,4-6
1	029912	OP-AMP, POWER uPC1188H	U3
4	024947	RESCF 1/4W 47ohm5%	R62,81,85,86
3	024965	RESCF 1/4W 1K 5%	R16,29,88
1	024969	RESCF 1/4W 1.5K 5%	R79
1	024971	RESCF 1/4W 2.2K 5%	R35
1	024972	RESCF 1/4W 2.7K 5%	R100
5	024973	RESCF 1/4W 3.3K 5%	R4,7,10,65,71
2	024975	RESCF 1/4W 3.9K 5%	R42,53
1	024977	RESCF 1/4W 4.7K 5%	R61
3	028034	RESCF 1/4W 5.1K 5%	R84,94,95
1	024978	RESCF 1/4W 5.6K 5%	R89
1	026510	RESCF 1/4W 9.1K 5%	R46
6	024981	RESCF 1/4W 10K 5%	R38,39,63,69,70,77
5	024986	RESCF 1/4W 18K 5%	R74,82,97-99
2	024988	RESCF 1/4W 27K 5%	R43,44
5	024989	RESCF 1/4W 33K 5%	R1,6,37,40,75
3	024993	RESCF 1/4W 47K 5%	R17,18,72
1	028990	RESCF 1/4W 51K 5%	R41
2	024994	RESCF 1/4W 56K 5%	R22,23
2	026507	RESCF 1/4W 62K 5%	R2,90

## FENDER J.A.M. GUITAR AMPLIFIER

## PARTS LIST PAGE 3 OF 5

## &lt;&lt;&lt; PCB ASSEMBLY (CONTINUED) &gt;&gt;&gt;

QTY	PART #	DESCRIPTION	REFERENCE DESIGNATION
2	024995	RESCF 1/4W 68K 5%	R25,26
14	024997	RESCF 1/4W 100K 5%	R5,8,9,13,14,28,30-32 +47,52,80,92,93
2	024999	RESCF 1/4W 150K 5%	R58,59
1	025058	RESCF 1/4W 180K 5%	R24
5	025059	RESCF 1/4W 220K 5%	R15,21,36,60,101
1	029450	RESCF 1/4W 240K 5%	R68
2	025061	RESCF 1/4W 330K 5%	R83,96
4	025065	RESCF 1/4W 470K 5%	R3,27,64,76
1	025066	RESCF 1/4W 560K 5%	R102
2	029616	RESCF 1/4W 620K 5%	R12,67
1	025067	RESCF 1/4W 680K 5%	R45
2	025075	RESCF 1/4W 2.2M 5%	R11,87
2	025081	RESCF 1/4W 5.6M 5%	R33,34
1	030737	RESCF 1/2W 5.6ohm5%	R48
1	028740	RESCF 1W 470ohm5%	R57
1	027346	RESCF 1W 1.2K 5%	R55
1	027628	RESCF 2W 47ohm5%	R49
2	034704	RESCF 2W 180ohm5%	R50,51
1	034705	RESCF 2W 270ohm5%	R56
1	032958	RESW 5W .33ohm10	R54
1	034717	SW 4P2T QUADINTRLK	S1
4	027360	SWITCH BUTTONS, RED	RPB1-4 (at S1)
1	028091	SW 2P2T ALT/ACTION	S2
1	028101	SWITCH BUTTON, RED	MBP1 (at S2)
1	019994	TRIMPOT, 100K, HOR-SM	R91
1	016739	TRANSISTOR NPN 2N4401	Q2
2	009165	ZENER 1N4744A 15V, 1W, 10%	CR14,15
3	025936	PLASTIC PCB STANDOFFS	ST1-3
1	034883	HEATSINK PLATE	KP1
1	029941	MICA INSULATOR	NS1 (at U3)
2	032908	SCREW, 6-32 X 3/8	SC1,2
2	027638	SCREW, 4-40 X 3/8	SC3,4

## &lt;&lt;&lt; CHASSIS ASSEMBLY &gt;&gt;&gt;

QTY	PART #	DESCRIPTION	REFERENCE DESIGNATION
1	036765	CHASSIS ASS'Y COMPLETE	CH1 (120V DOMESTIC)
1	036766	CHASSIS ASS'Y COMPLETE	CH1 (240V EXPORT)
1	036767	CHASSIS ASS'Y COMPLETE	CH1 (220V EXPORT)
1	036768	CHASSIS ASS'Y COMPLETE	CH1 (100V EXPORT)
1	036451	CHASSIS FABRICATED	CS1

FENDER J.A.M. GUITAR AMPLIFIER

PARTS LIST PAGE 4 OF 5

<<< CHASSIS ASSEMBLY (CONTINUED) >>>

QTY	PART #	DESCRIPTION	REFERENCE DESIGNATION
1	026038	BUSHING STRAIN RELIEF	BS1 (AC CORD)
1	021709	BUSHING STRAIN RELIEF	BR1 (SPEAKER WIRES)
1	026116	BUSHING STRAIN RELIEF	BH1 (REVERB WIRE)
5	033206	BUSHING SPACER	SB1-5
1	026527	CABLE ASS'Y POWER	LC1 (100/120V)
1	026528	CABLE ASS'Y POWER	LC1 (220/240V)
1	028577	CABLE REVERB	RC1
1	036453	FRONT PANEL	FP1
1	034885	HEATSINK BAR	BK1
5	025952	KNOB	KN1-5
1	036716	LABEL REAR	RL1
4	069393	NUT HEX 6-32 KEPS	NT1-4 (TRANSFORMER)
5	031647	NUT HEX 12mm	NT5-9 (JACKS)
3	028937	SCREW 6-32x5/8 PHP	SC5-7 (PCB MTG)
1	029913	SCREW TF 6-32x3/16	SC8 (GROUND LUG)
2	028500	SCREW TF 8-32x3/4	SC9,10 (HEATSINK BAR)
1	9904101560	SCREW HI-LO 6x3/8	SC11 (PHONO JACK)
1	025935	SWITCH DPST	S3 (POWER ON/OFF)
1	033613	TRANSFORMER POWER	T1 (DOMESTIC)
1	033614	TRANSFORMER POWER	T1 (EXPORT)
1	036762	WIRE SET	WS1
3	025737	FASTON	FT1-3 (FOR WS1)
1	026315	FASTON	FT4 (FOR WS1)
2	010735	FASTON	FT5,6 (FOR WS1)

<<< CABINET ASSEMBLY >>>

QTY	PART #	DESCRIPTION	REFERENCE DESIGNATION
1	036189	CABINET ASS'Y COMPLETE	CB1 (CARPET COVERED)
1	036755	CABINET ASS'Y COMPLETE	CB1 (TOLEX COVERED)
1	031525	COVERING CARPET	CC1 (ROCK GRAY)
1	026570	COVERING VINYL	CC1 (BLACK)
2	031840	CORNER 3 HOLE BLACK	CN1,2
6	031838	CORNER 2 HOLE BLACK	CN3-8
1	027648	FOIL TAPE	FL1
4	029323	FOOT RUBBER	FR1-4
1	036190	GRILLE BAFFLE ASS'Y	GF1 (CARPET TYPE)
1	036756	GRILLE BAFFLE ASS'Y	GF1 (TOLEX TYPE)
1	026317	GRILLE CLOTH BLACK	GC1
1	025883	HANDLE	HD1
1	025884	HANDLE INSERT	HL1

## FENDER J.A.M. GUITAR AMPLIFIER

## PARTS LIST PAGE 5 OF 5

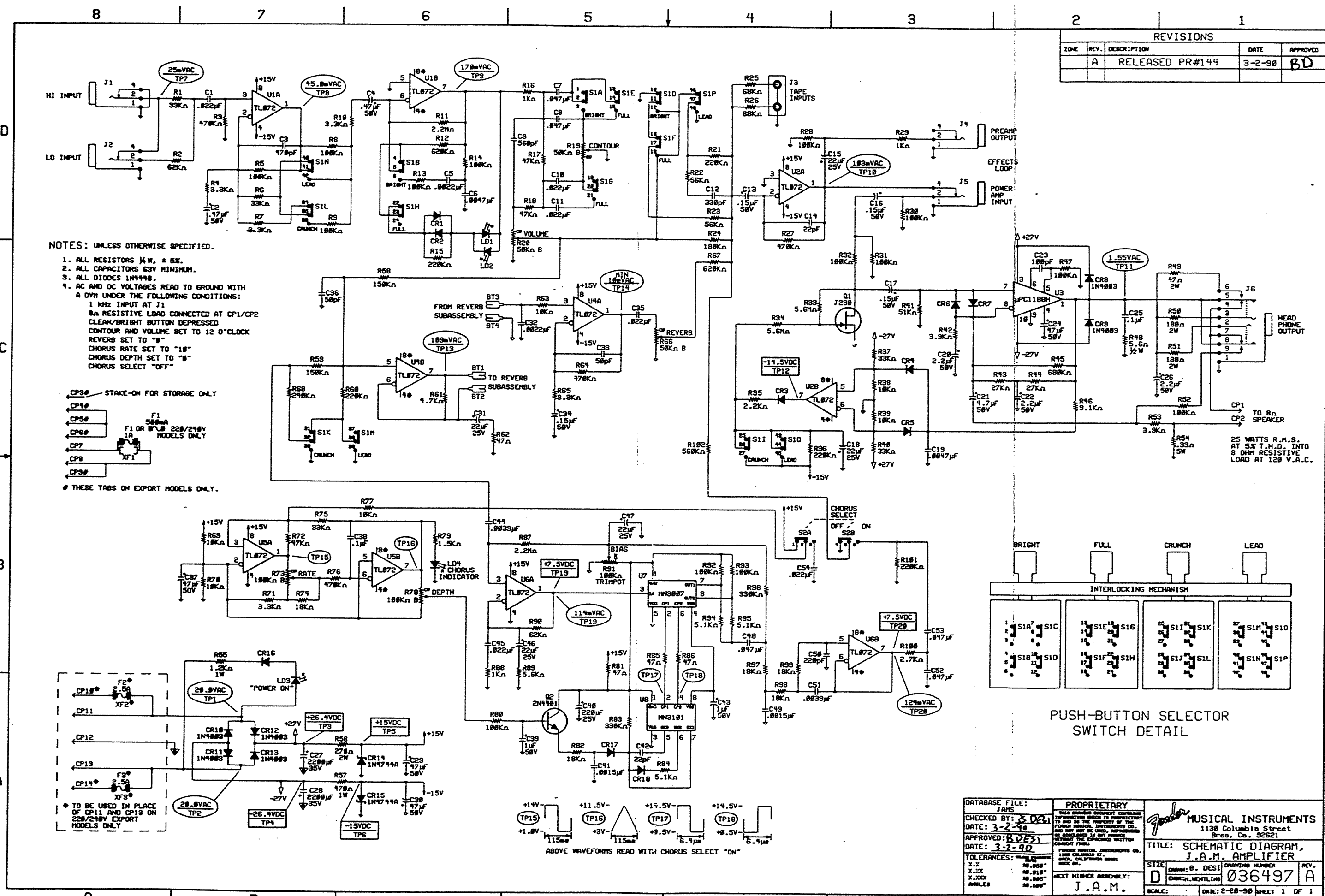
## &lt;&lt;&lt; CABINET ASSEMBLY (CONTINUED) &gt;&gt;&gt;

QTY	PART #	DESCRIPTION	REFERENCE DESIGNATION
2	031845	HANDLE CAP BLACK	HC1,2
1	011298	NAMEPLATE FENDER	NP1
1	036694	NAMEPLATE J.A.M.	NP2
4	017393	SCREW M 10-32x1-1/8 OHP	SC12-15 (HANDLE MTG)
18	026576	SCREW SMA 8x5/8 TH	SC16-33 (CORNER MTG)
4	026576	SCREW SMA 8x5/8 TH	SC34-37 (FOOT MTG)
4	018113	SCREW SMA 4x1/2 OHP	SC38-41 (NAMEPLATES)
4	021972	TEE NUT 10-32	NT10-13 (HANDLE MTG)
4	021972	TEE NUT 10-32	NT14-17 (SPEAKER MTG)

## &lt;&lt;&lt; MISCELLANEOUS &gt;&gt;&gt;

QTY	PART #	DESCRIPTION	REFERENCE DESIGNATION
4	029821	EYELET	EY1-4 (REVERB MTG)
4	026201	GROMMET	GR1-4 (REVERB MTG)
1	028055	REVERB UNIT	RV1
1	025923	SPEAKER 12" 8 OHM	SP1
4	9904101550	SCREW M 8-32x1-1/4 OH PHS	SC42-45 (CHASSIS MTG)
2	026800	SCREW SMAB 8x1-3/4 OH PHS	SC46,47 (SIDE GRILLE)
4	026577	SCREW M 10-32x1 PH PHS	SC48-51 (SPEAKER MTG)
4	029828	SCREW PB 8x3/4 PHP ZI	SC52-55 (REVERB MTG)
6	029527	WASHER FINISH #8x5/8	WW1-6 (TOP 4, SIDE 2)
1	036498	SCHEMATIC DIAGRAM	SM1
1	036501	SERVICE DIAGRAM	SV1
1	036622	OWNERS MANUAL	OM1

REVISIONS				
ZONE	REV.	DESCRIPTION	DATE	APPROVED
	A	RELEASED PR#144	3-2-90	BD

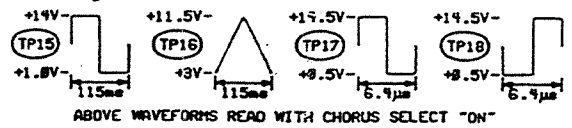


NOTES: UNLESS OTHERWISE SPECIFIED.

1. ALL RESISTORS 1/4W, ± 5%.
2. ALL CAPACITORS 63V MINIMUM.
3. ALL DIODES 1N4148.
4. AC AND DC VOLTAGES READ TO GROUND WITH A DVH UNDER THE FOLLOWING CONDITIONS:  
 1 KHZ INPUT AT J1  
 8Ω RESISTIVE LOAD CONNECTED AT CP1/CP2  
 CLEAN/BRIGHT BUTTON DEPRESSED  
 CONTOUR AND VOLUME SET TO 12 O'CLOCK  
 REVERB SET TO "9"  
 CHORUS RATE SET TO "18"  
 CHORUS DEPTH SET TO "8"  
 CHORUS SELECT "OFF"

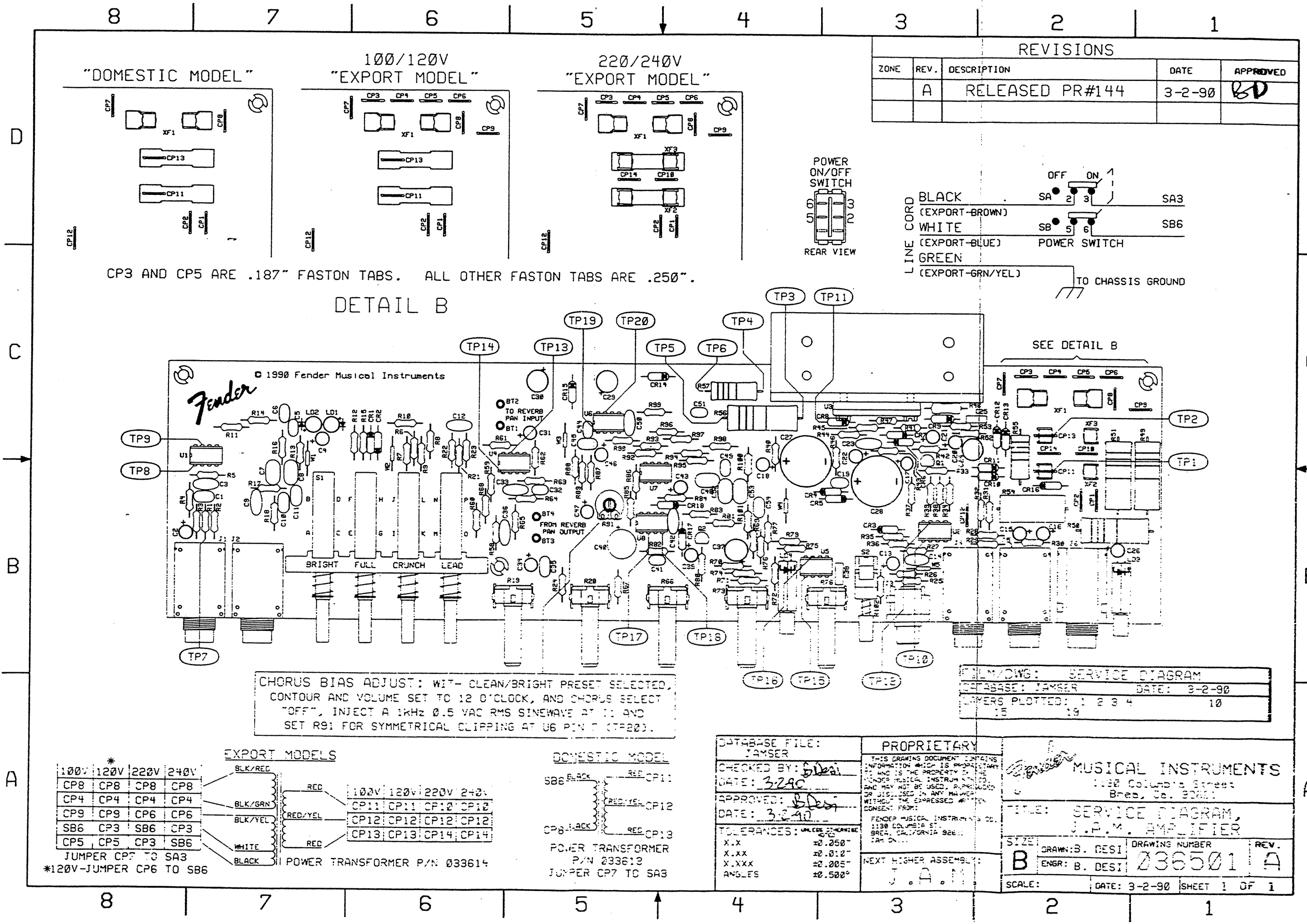
CP3# STAKE-ON FOR STORAGE ONLY  
 CP1#  
 CP5# F1 OR F1J 220/250V MODELS ONLY  
 CP6# F1 OR F1J 220/250V MODELS ONLY  
 CP7# XF1  
 CP8#  
 CP9#  
 \* THESE TABS ON EXPORT MODELS ONLY.

CP18# F2 50V  
 CP11#  
 CP12#  
 CP13# F3 50V  
 CP14# XF3  
 \* TO BE USED IN PLACE OF CP11 AND CP13 ON 220/250V EXPORT MODELS ONLY

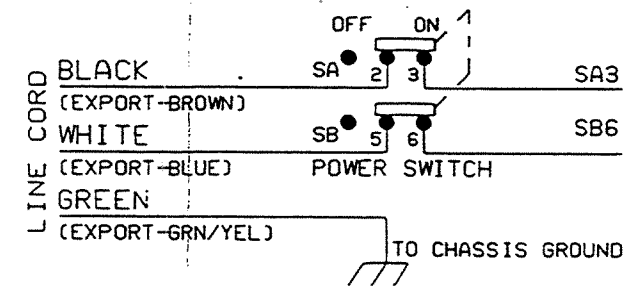


DATABASE FILE: JAMS CHECKED BY: S. DESI DATE: 3-2-90 APPROVED: B. DESI DATE: 3-2-90	<b>PROPRIETARY</b> THIS DESIGN DOCUMENT CONTAINS INFORMATION WHICH IS PROPRIETARY TO AND IS THE PROPERTY OF THE FENDER MUSICAL INSTRUMENTS CO. AND MAY NOT BE USED, REPRODUCED OR DISCLOSED IN ANY MANNER WITHOUT THE EXPRESS WRITTEN CONSENT FROM FENDER MUSICAL INSTRUMENTS CO. FENDER MUSICAL INSTRUMENTS CO. 1138 COLUMBIA ST. BREA, CALIFORNIA 92621	<b>MUSICAL INSTRUMENTS</b> 1138 Columbia Street Brea, Ca. 92621 <b>TITLE: SCHEMATIC DIAGRAM, J.A.M. AMPLIFIER</b> SIZE: D DRAWING NUMBER: 036497 REV. A SCALE: DATE: 2-28-90 SHEET 1 OF 1
---	---	--

PART NO. 0036498001 OF 1 SHEET



REVISIONS				
ZONE	REV.	DESCRIPTION	DATE	APPROVED
	A	RELEASED PR#144	3-2-90	<i>BD</i>



CP3 AND CP5 ARE .187" FASTON TABS. ALL OTHER FASTON TABS ARE .250".

DETAIL B

CHORUS BIAS ADJUST: WITH CLEAN/BRIGHT PRESET SELECTED, CONTOUR AND VOLUME SET TO 12 O'CLOCK, AND CHORUS SELECT "OFF", INJECT A 1KHZ 0.5 VAC RMS SINEWAVE AT TP1 AND SET R91 FOR SYMMETRICAL CLIPPING AT U6 PIN 7 (TR20).

FILM/DWG:	SERVICE DIAGRAM
DATABASE:	JAMSER
DATE:	3-2-90
LAYERS PLOTTED:	1 2 3 4 10 15 19

EXPORT MODELS				DOMESTIC MODEL			
100V	120V	220V	240V	100V	120V	220V	240V
CP8	CP8	CP8	CP8	CP11	CP11	CP12	CP12
CP4	CP4	CP4	CP4	CP12	CP12	CP12	CP12
CP9	CP9	CP6	CP6	CP13	CP13	CP14	CP14
SB6	CP3	SB6	CP3				
CP5	CP5	CP3	SB6				

JUMPER CP7 TO SA3  
\*120V-JUMPER CP6 TO SB6

POWER TRANSFORMER P/N 033614

DATABASE FILE:	JAMSER
CHECKED BY:	<i>Sider</i>
DATE:	3-2-90
APPROVED:	<i>BD</i>
DATE:	3-2-90
TOLERANCES:	UNLESS OTHERWISE SPECIFIED
X.X	±.250"
X.XX	±.012"
X.XXX	±.005"
ANGLES	±.500°

PROPRIETARY  
THIS DRAWING DOCUMENT CONTAINS INFORMATION WHICH IS PROPRIETARY TO FENDER MUSICAL INSTRUMENTS CO. AND MAY NOT BE USED, REPRODUCED OR DISCLOSED IN ANY MANNER WITHOUT THE EXPRESSED WRITTEN CONSENT FROM:  
FENDER MUSICAL INSTRUMENTS CO.  
1130 COLUMBIA ST.  
BREA, CALIFORNIA 92621  
J.A.M.

MUSICAL INSTRUMENTS 1130 Columbia Street Brea, Ca. 92621		
TITLE: SERVICE DIAGRAM, J.A.M. AMPLIFIER		
SIZE: B	DRAWN: B. DESI	DRAWING NUMBER: 036501
	ENGR: B. DESI	REV. A
SCALE:	DATE: 3-2-90	SHEET 1 OF 1