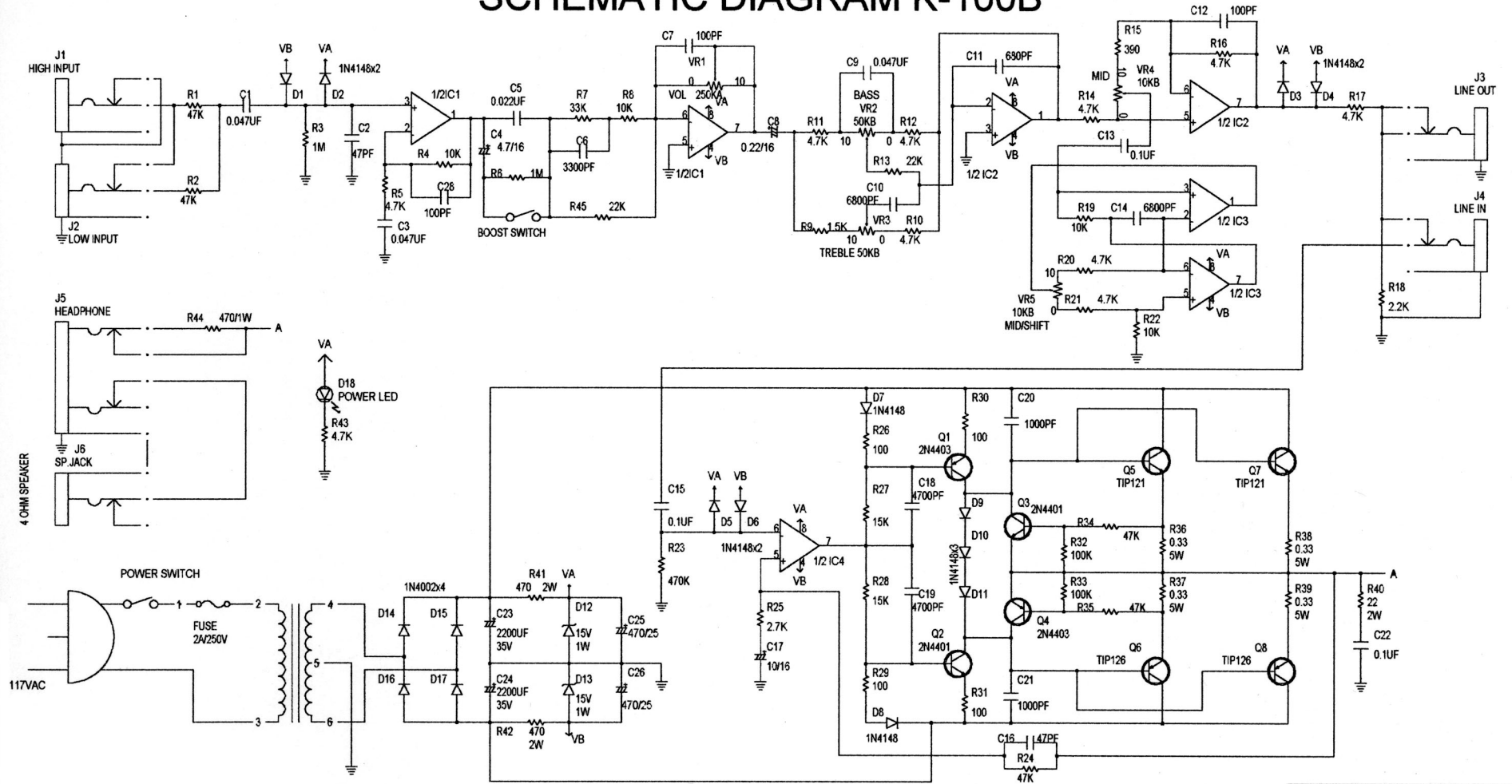


SCHEMATIC DIAGRAM K-100B



NAME		SCHEMATIC DIAGRAM	
MODEL NO.		K-100B	
DRAWN	CHECKED	APPROVED	