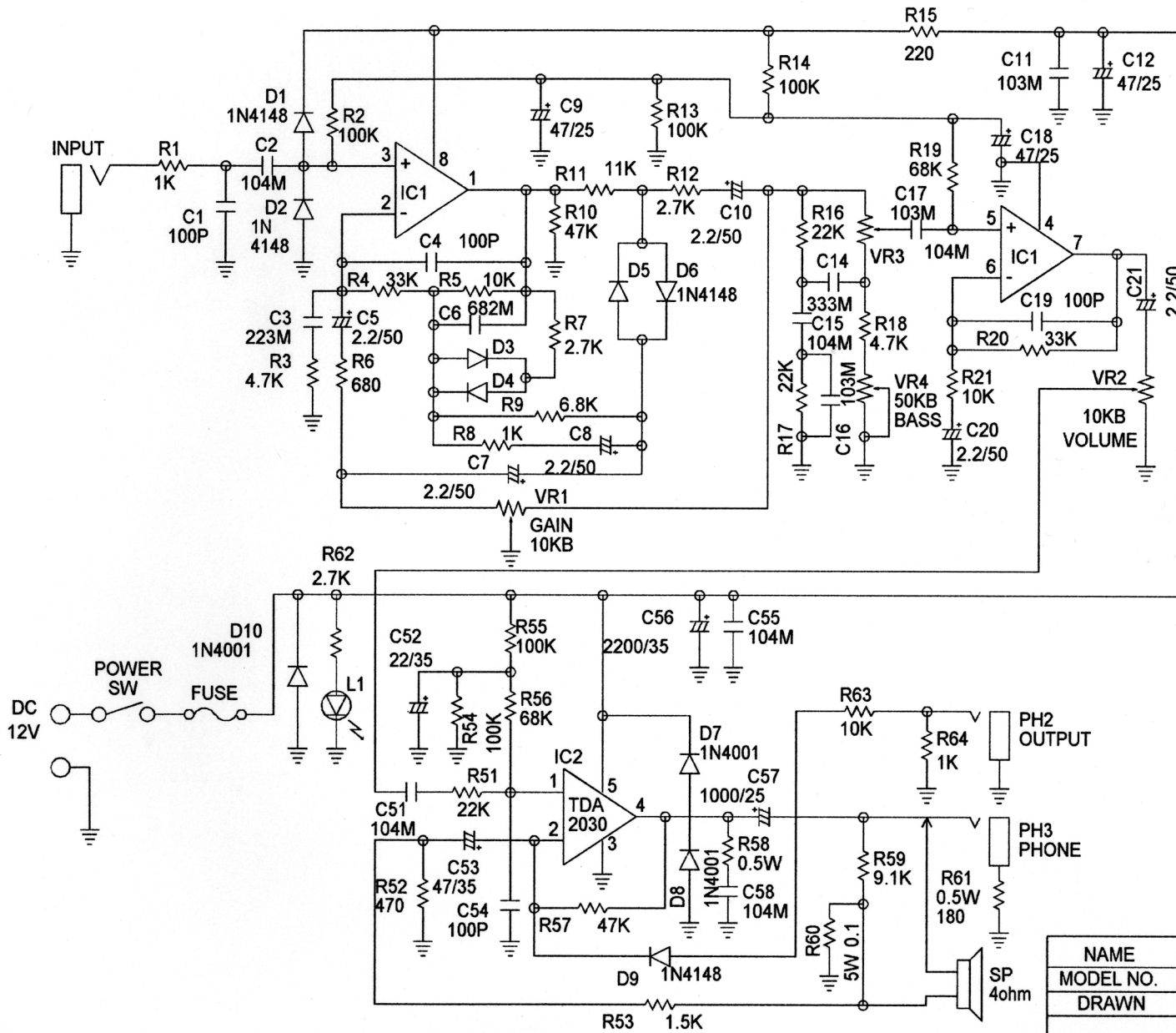


SCHEMATIC DIAGRAM K-15DC



NAME	SCHEMATIC DIAGRAM	
MODEL NO.	K-15DC	
DRAWN	CHECKED	APPROVED