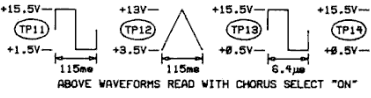
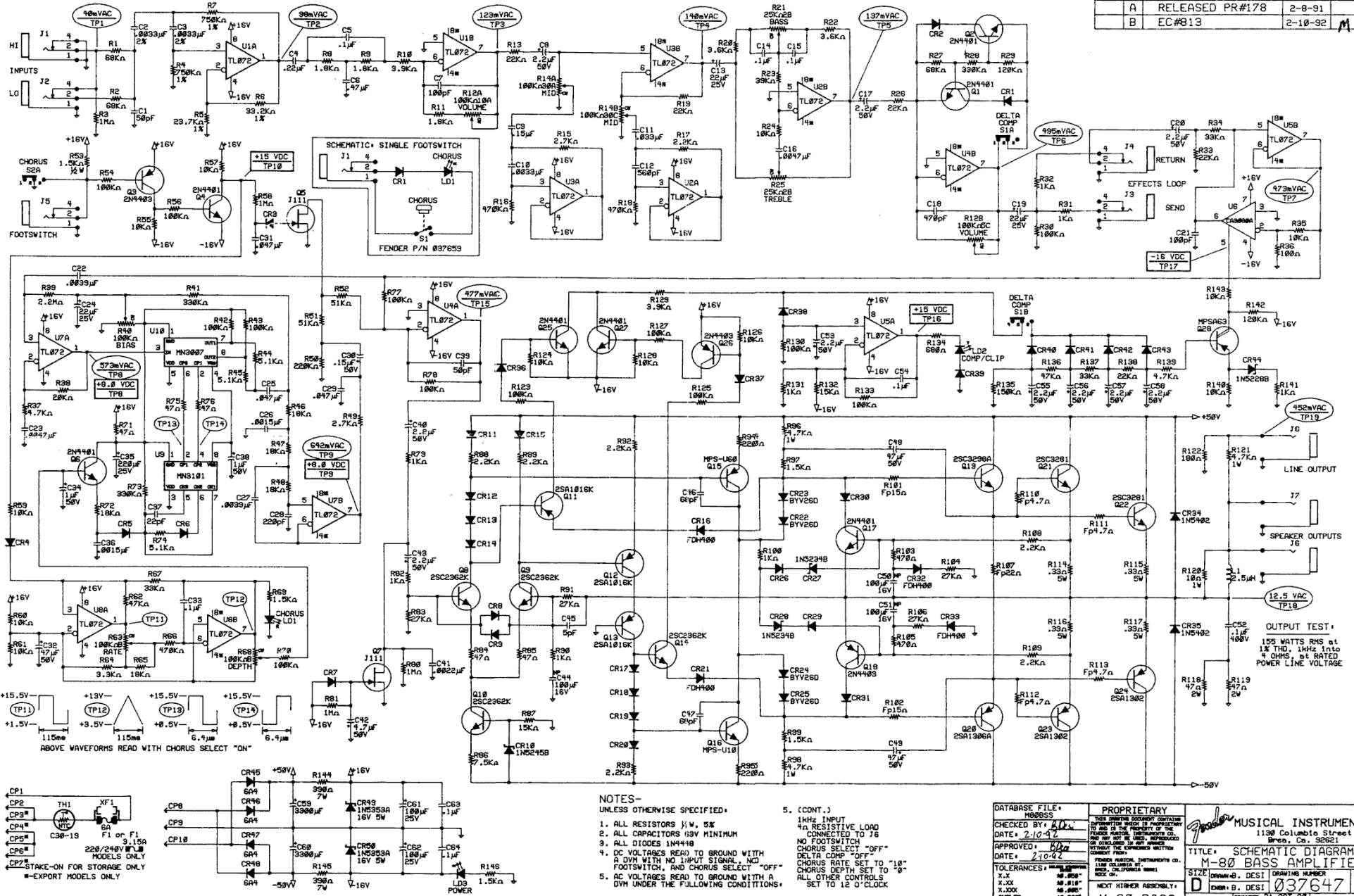


REVISIONS				
ZONE	REV.	DESCRIPTION	DATE	APPROVED
A	1	RELEASED PR#178	2-8-91	
B	1	EC#813	2-10-92	MH



- NOTES—
UNLESS OTHERWISE SPECIFIED:
1. ALL RESISTORS 1/4W, 5%.
 2. ALL CAPACITORS 100V MINIMUM.
 3. ALL DIODES 1N4148.
 4. DC VOLTAGES READ TO GROUND WITH A DVM WITH NO INPUT SIGNAL, NO FOOTSWITCH, AND CHORUS SELECT "OFF".
 5. AC VOLTAGES READ TO GROUND WITH A DVM UNDER THE FOLLOWING CONDITIONS:

5. (CONT.)
1KHZ INPUT
4A RESISTIVE LOAD
CONNECTED TO J6
NO FOOTSWITCH
CHORUS SELECT "OFF"
DELTA COMP "OFF"
CHORUS RATE SET TO "18"
CHORUS DEPTH SET TO "g"
ALL OTHER CONTROLS
SET TO 12 O'CLOCK

DATABASE FILE: M80BSS

CHECKED BY: *[Signature]*
DATE: 2-10-92

APPROVED: *[Signature]*
DATE: 2-10-92

TOLERANCES: .1% .5% 1% 2% 5% 10% 20% 50% 100%

PROPRIETARY

MUSICAL INSTRUMENTS
1130 Columbia Street
Brea, Ca. 92621

TITLE: SCHEMATIC DIAGRAM,
M-80 BASS AMPLIFIER

SIZE: DRAWING NUMBER
DRAWN BY: DESI 037647 B

SCALE: 1:1

CREATED: 31-OCT-90
PLOTTED: 18-FEB-92

SHEET 1 OF 1

SHEET 1 OF 1