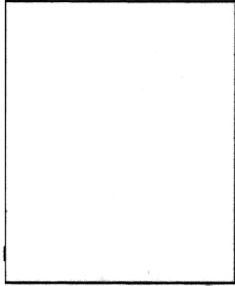
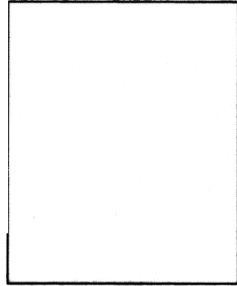


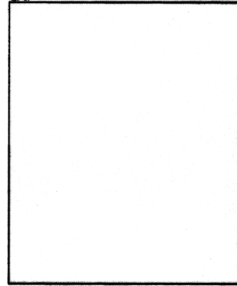
INPUT



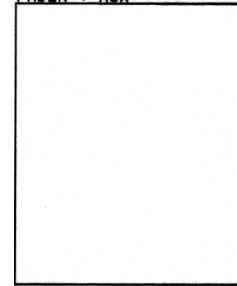
DIR OUT + INSERT



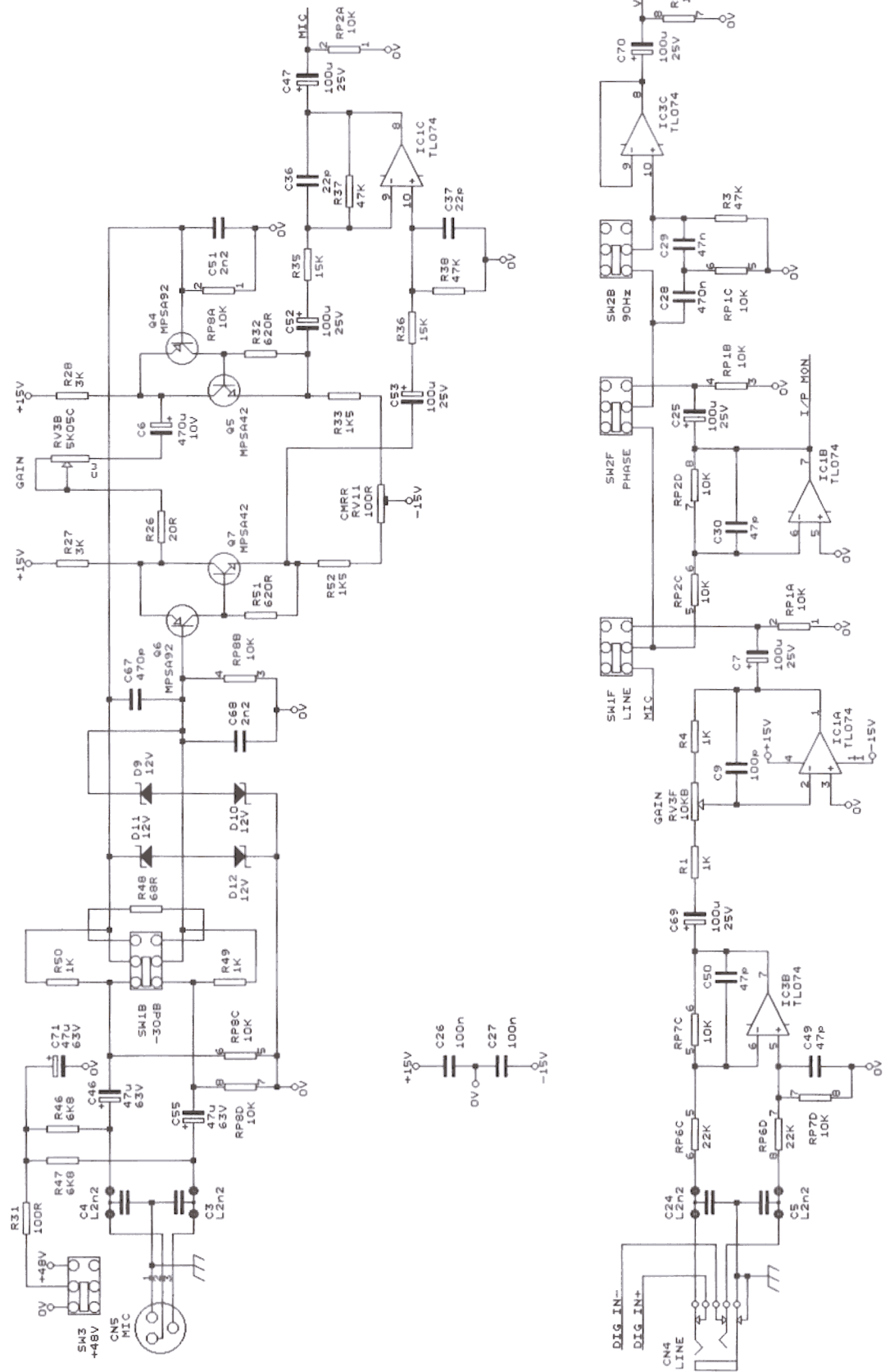
EQ



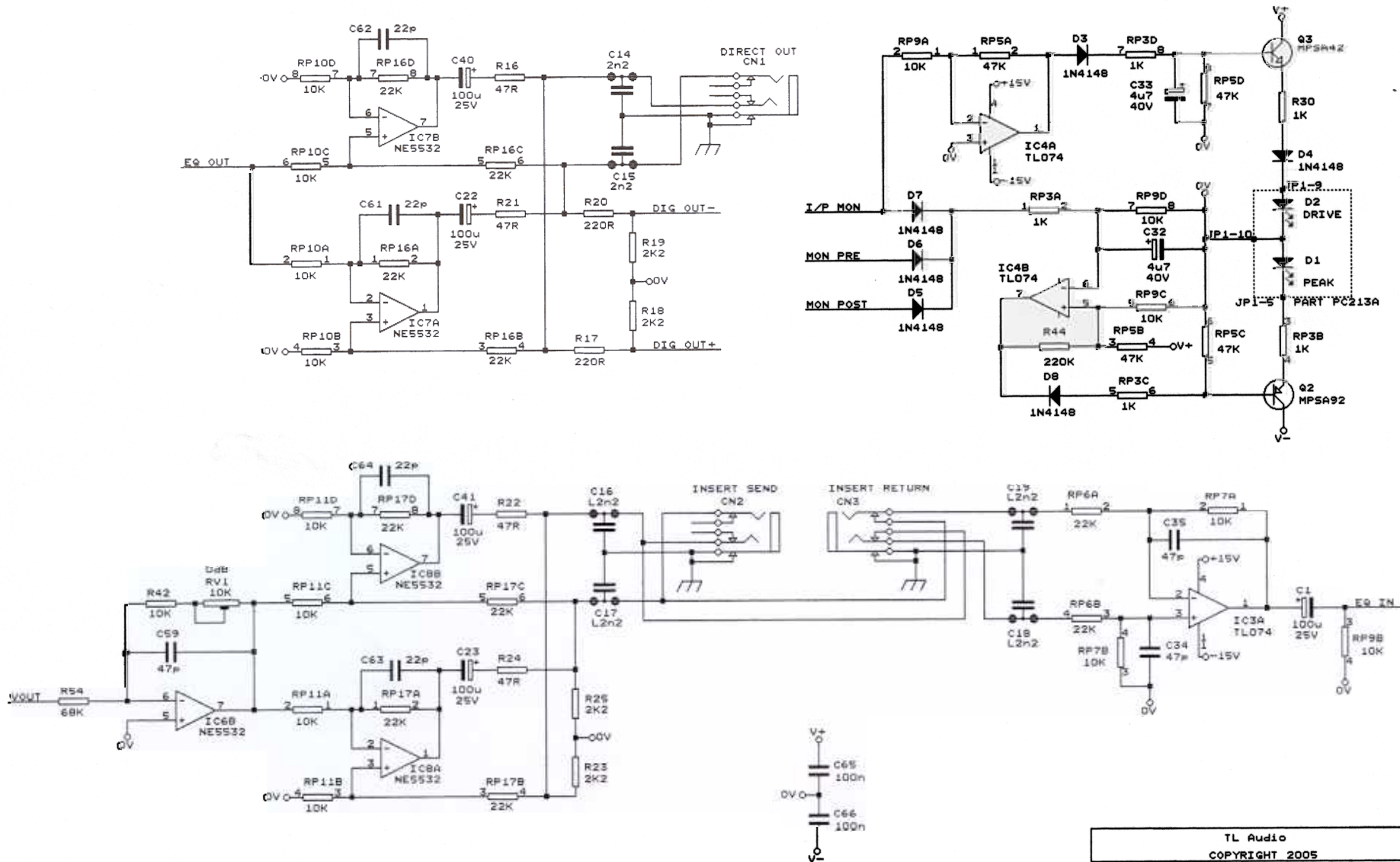
FADER + AUX



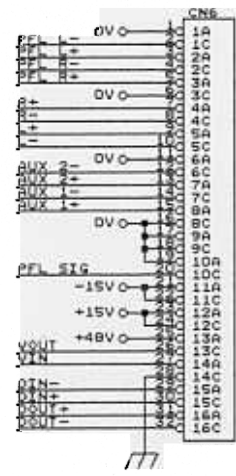
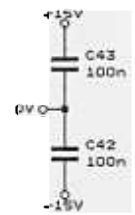
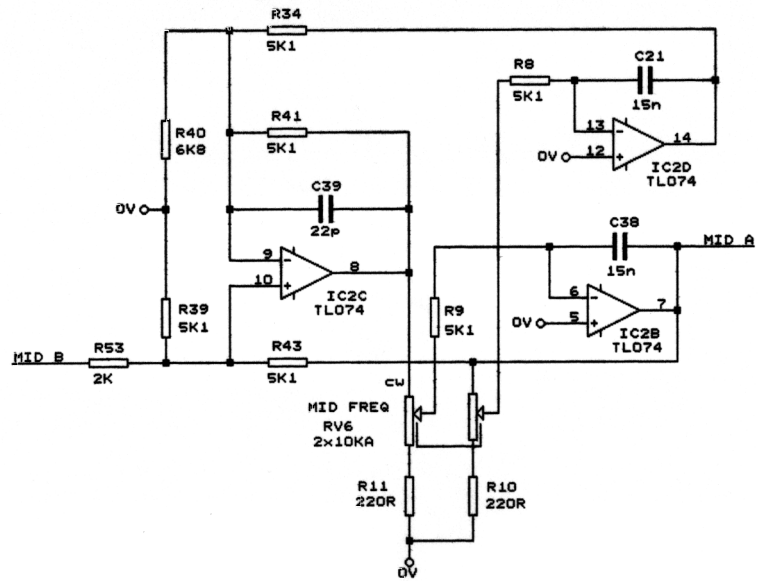
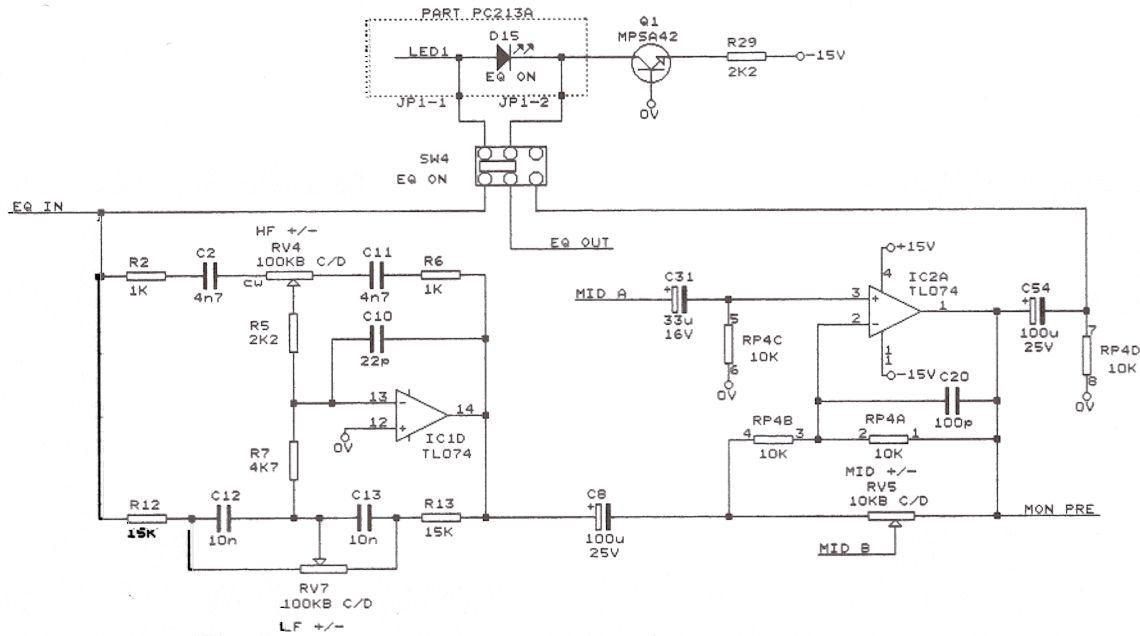
TL Audio		
COPYRIGHT 2005		
Title M1 TUBETRACKER CHANNEL		
Size	Document Number	REV
B	CD1213	2
Date:	July 11, 2006	Sheet 1 of 5



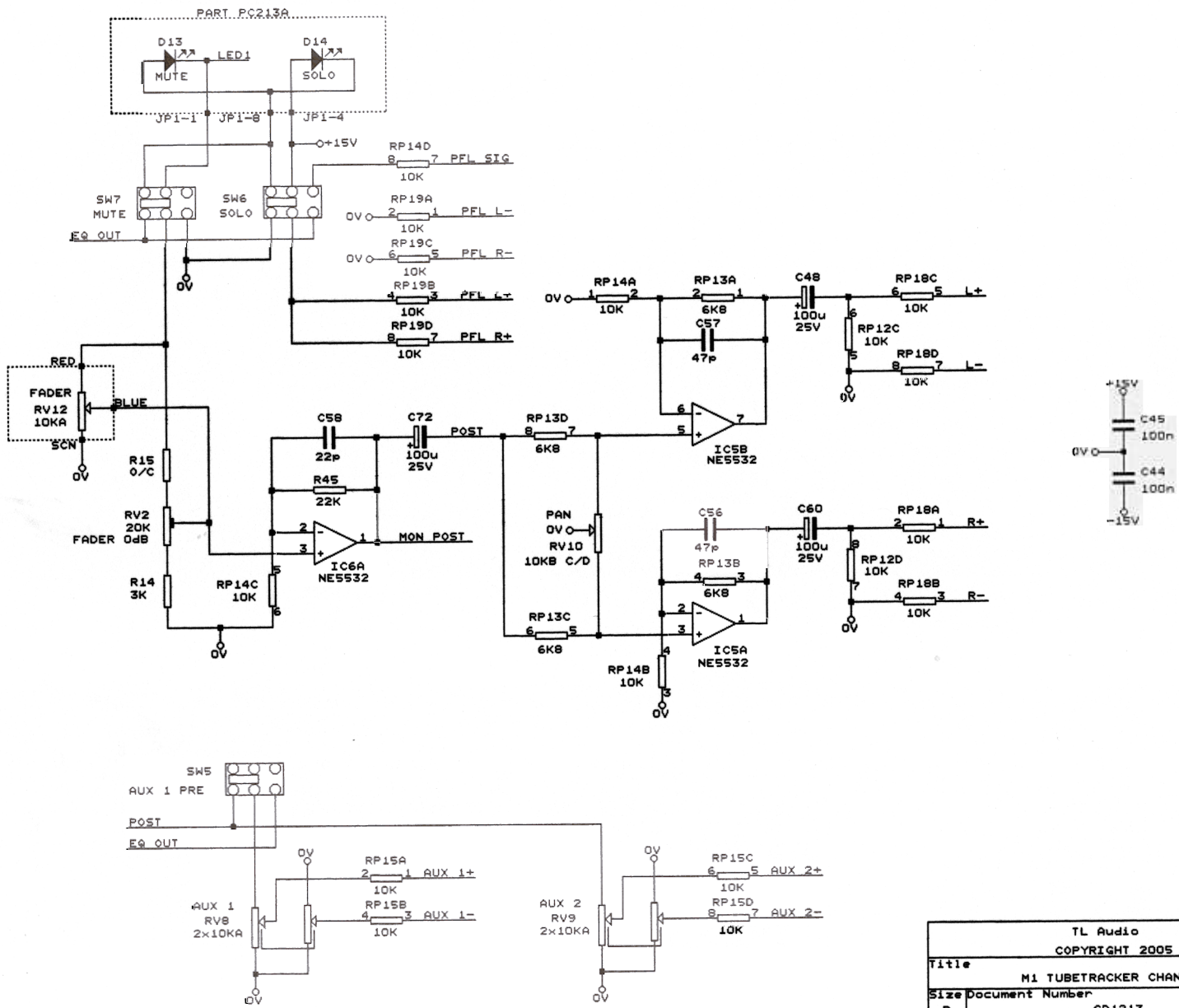
Title	TL Audio
Size	Copyright 2005
Document Number	M1 TUBETRACKER CHANNEL
REV	B
	CD1213
Date:	July 11, 2006
Sheet	2 of 5



TL Audio	
COPYRIGHT 2005	
Title M1 TUBETRACKER CHANNEL	
Size	Document Number
B	CD1213
Date:	August 21, 2006 Sheet 3 of 5
	REV 2

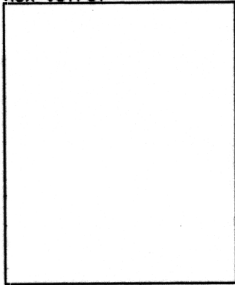


TL Audio	
COPYRIGHT 2005	
Title M1 TUBETRACKER CHANNEL	
Size Document Number	REV
B CD1213	2
Date: July 11, 2006	Sheet 4 of 5

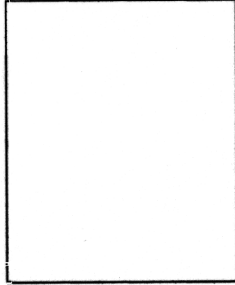


TL Audio COPYRIGHT 2005		
Title M1 TUBETRACKER CHANNEL		
Size	Document Number	REV
8	CD1213	2
Date:	July 11, 2006	Sheet 5 of 5

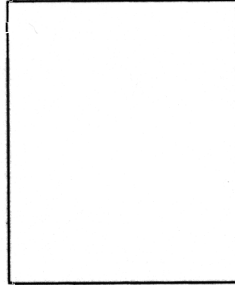
AUX OUTPUT



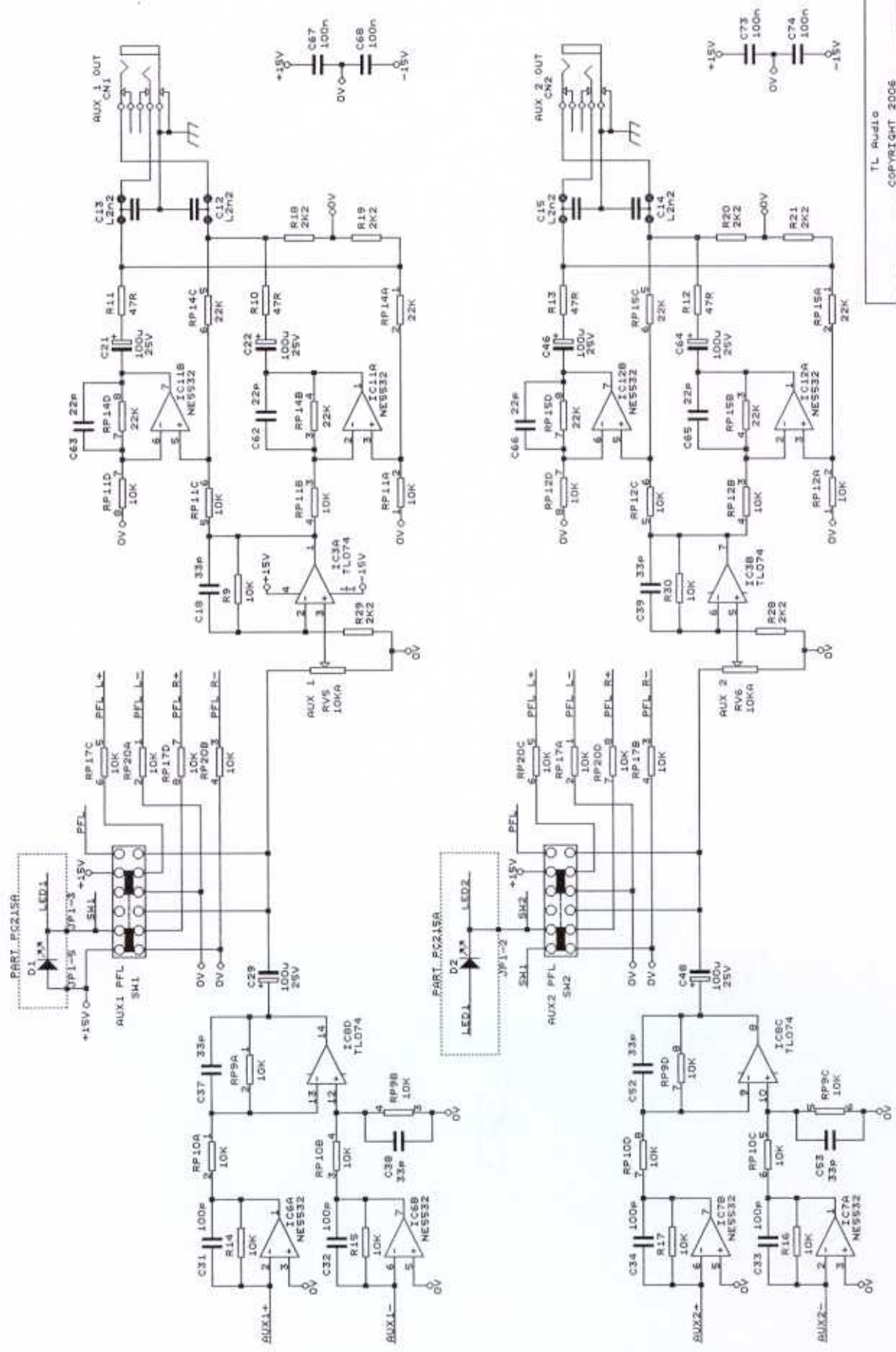
STEREO RETURN

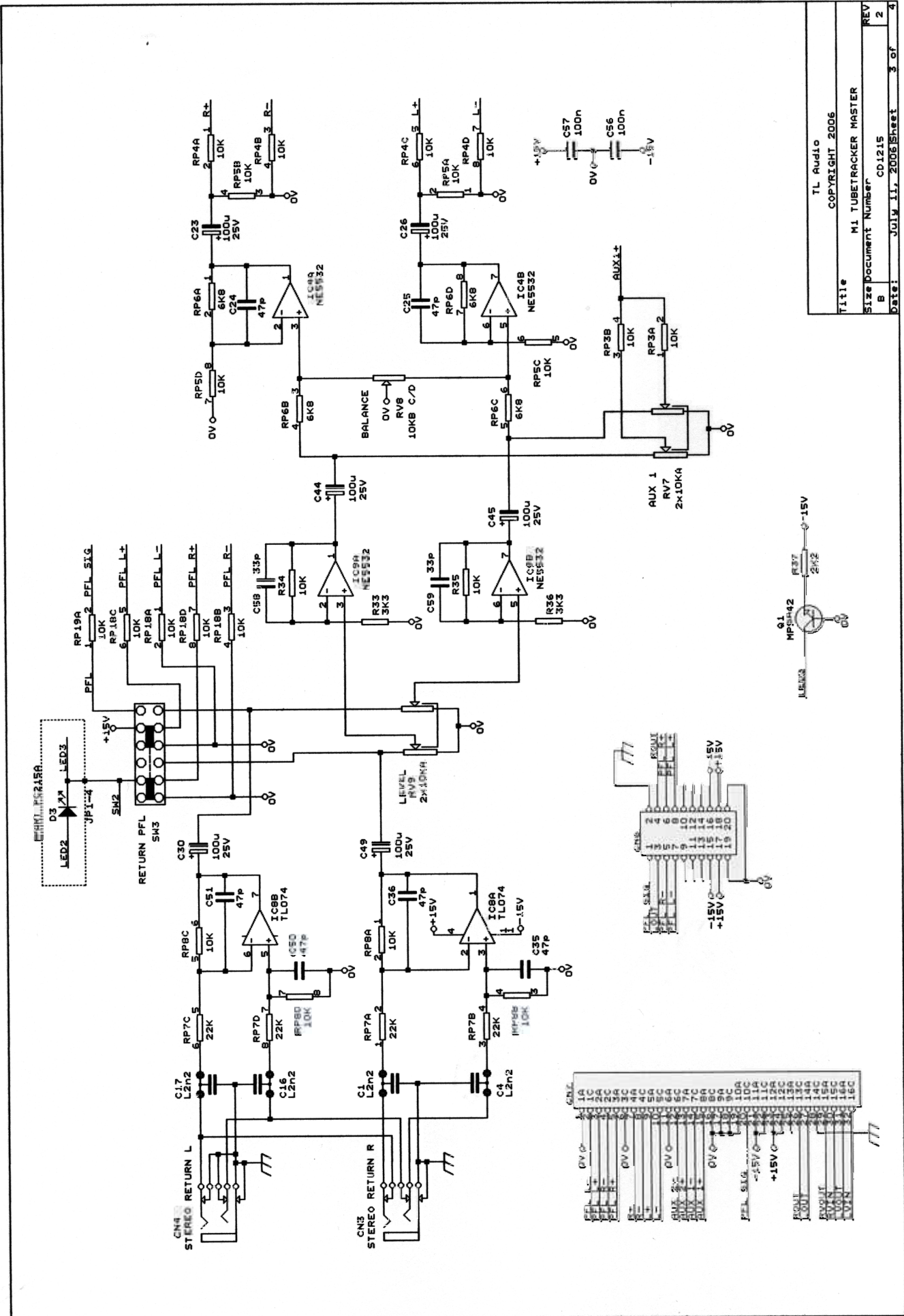


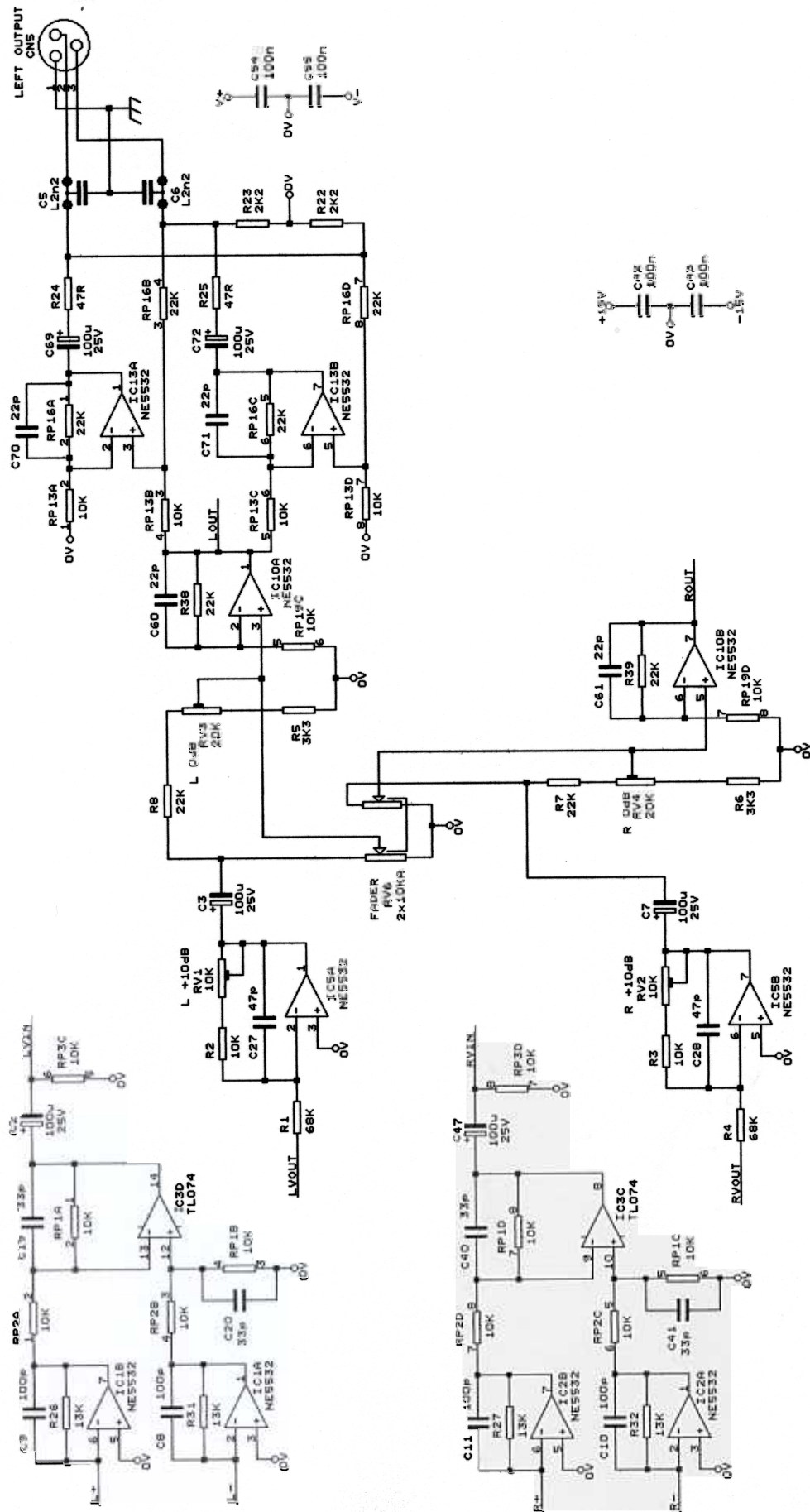
L+R OUTPUTS



TL Audio			
COPYRIGHT 2006			
Title		M1 TUBETRACKER MASTER	
Size	Document Number		REV
B	CD1215		2
Date:	July 11, 2006	Sheet	1 of 4







TL Audio
COPYRIGHT 2006

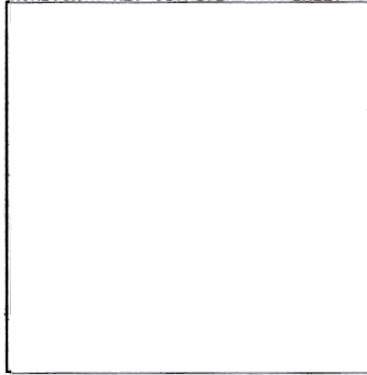
Title M1 TUBETRACKER MASTER

Size Document Number CD1215

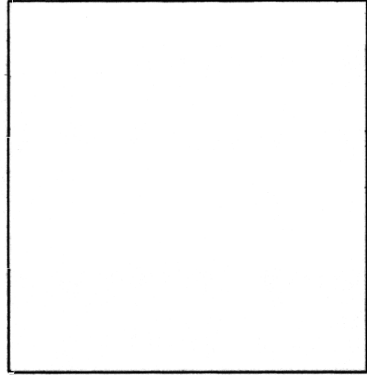
REV 2

Date: July 11, 2006 Sheet 4 of 4

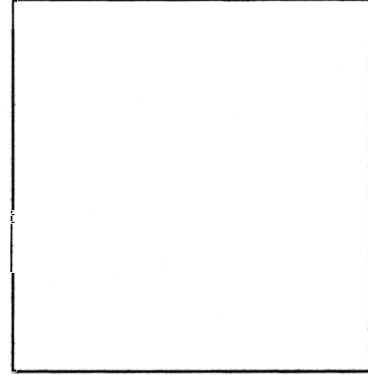
MONITOR + ALT OUTPUTS SHEET 4



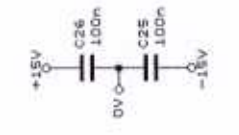
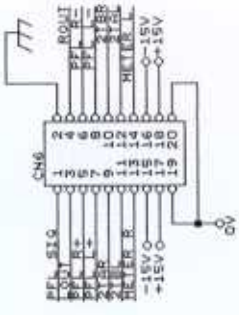
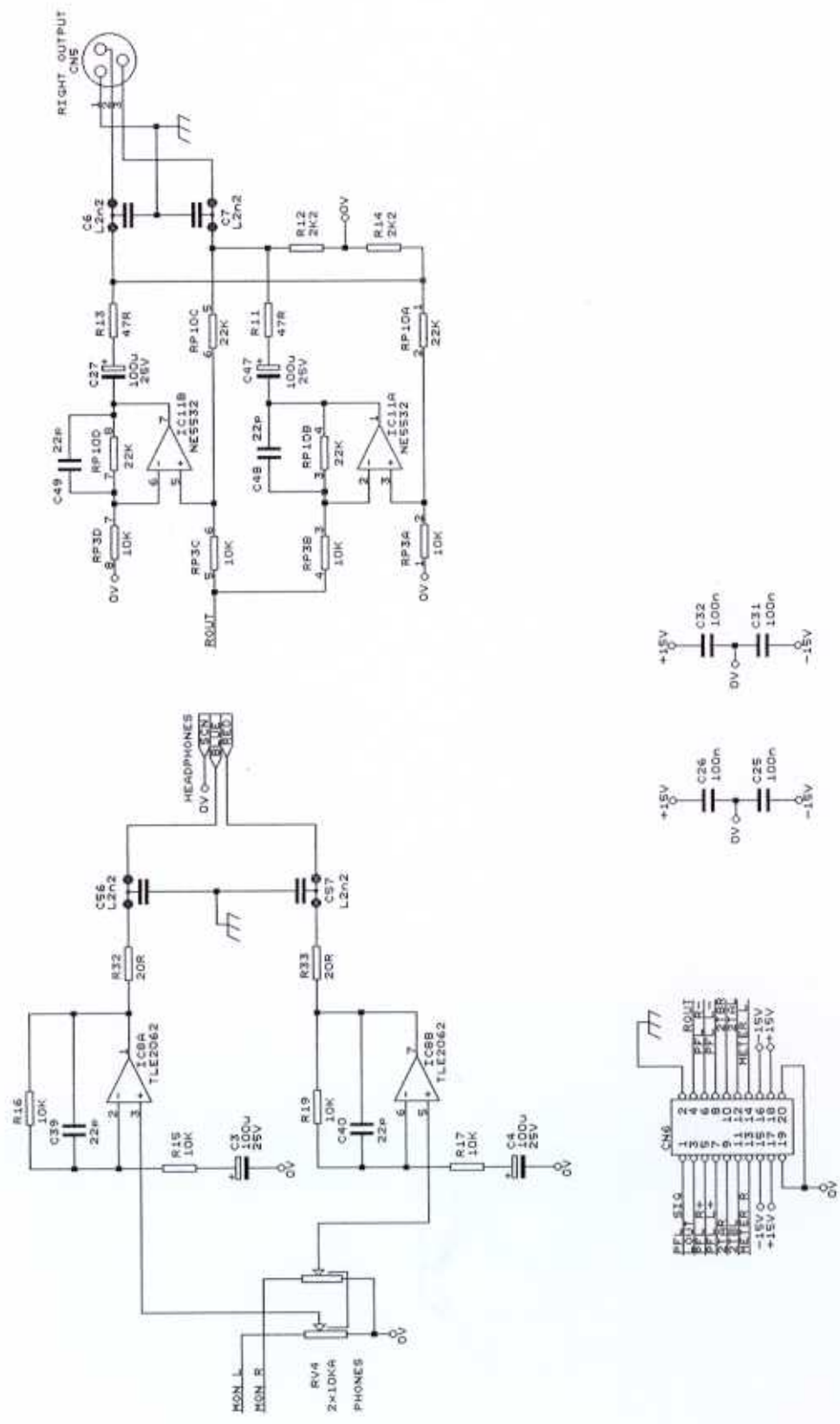
PFL SHEET 2



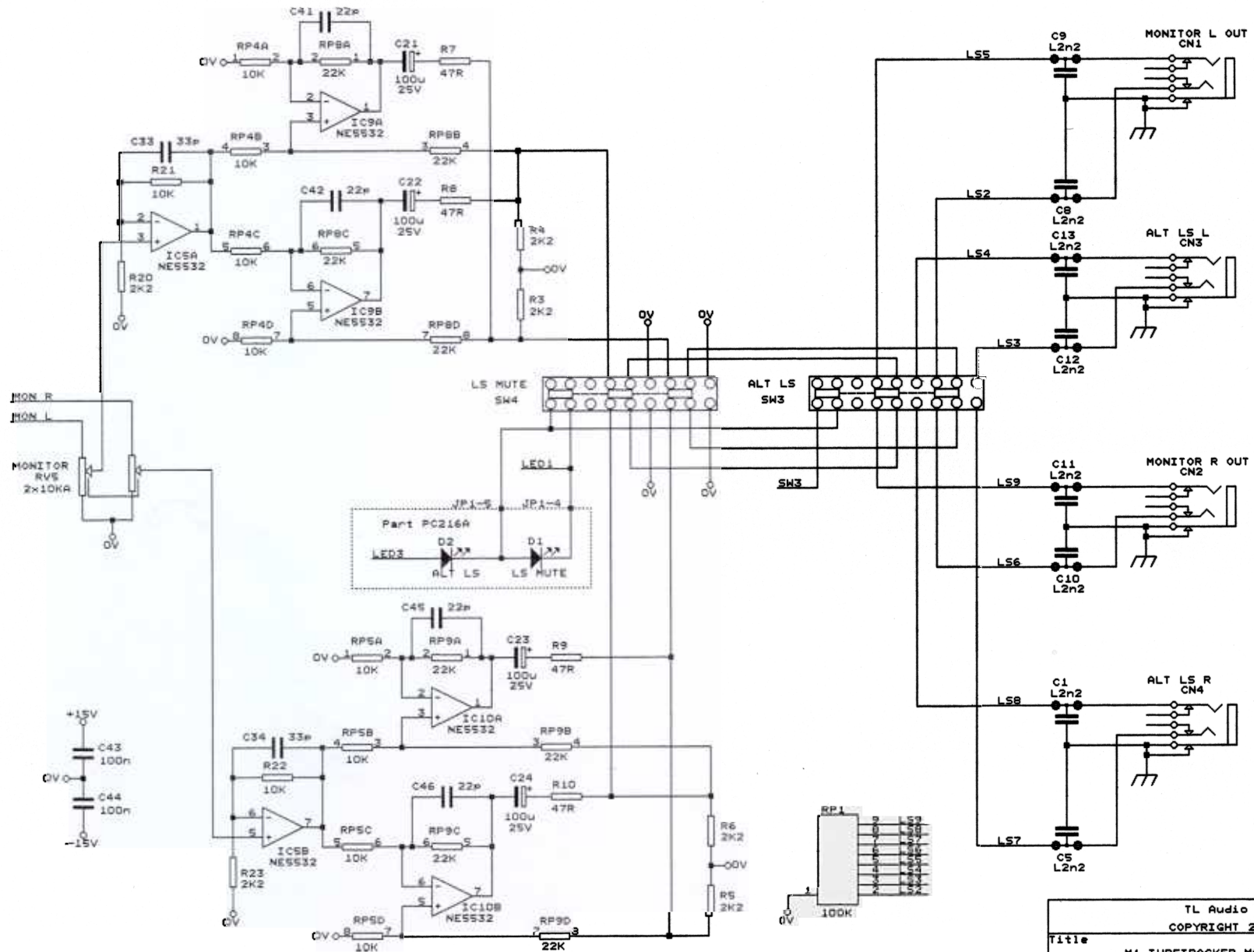
PHONES + R OUTPUT SHEET 3



TL Audio	
COPYRIGHT 2006	
Title M1 TUBETRACKER MONITORING	
Size B	Document Number CD1216
Date: July 11, 2006	REV 2
Sheet 1 of 4	

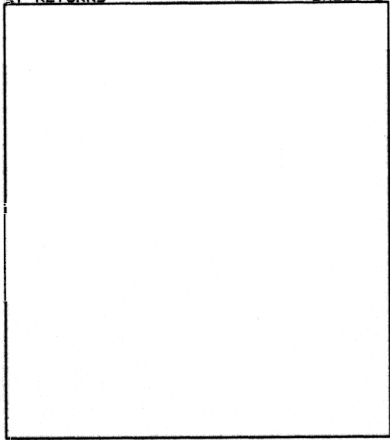


TL Audio	
COPYRIGHT 2006	
Title# M1 TUBETRACKER MONITORING	
Size	Document Number CO1216
REV	2
Date:	JULY 11, 2006 Sheet 3 of 4

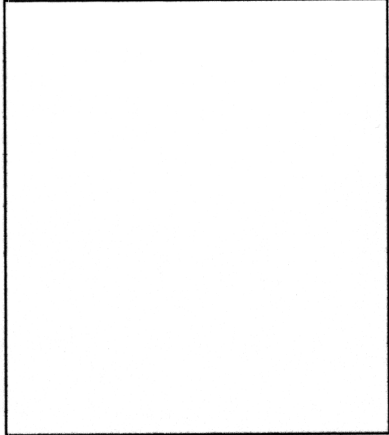


TL Audio	
COPYRIGHT 2006	
Title M1 TUBETRACKER MONITORING	
Size	Document Number
B	CD1216
Date:	July 11, 2006 Sheet 4 of 4
REV	2

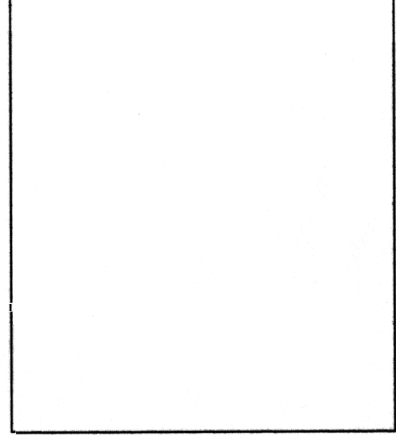
2T RETURNS SHEET 2



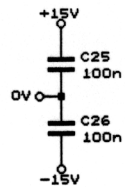
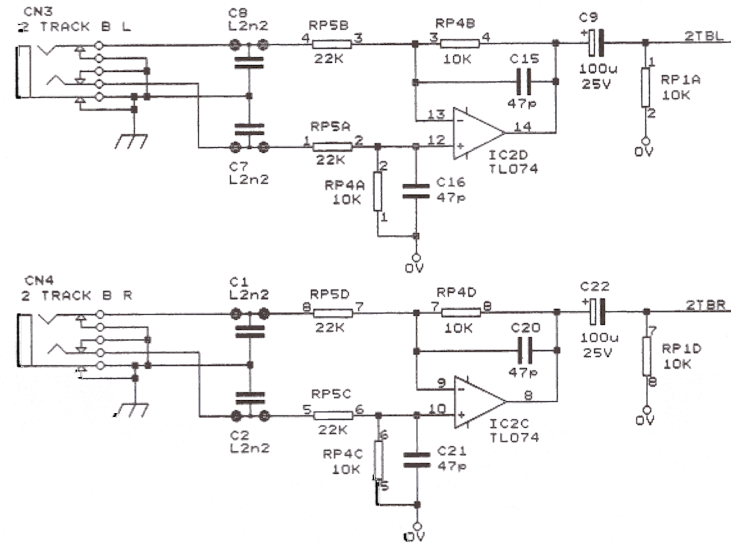
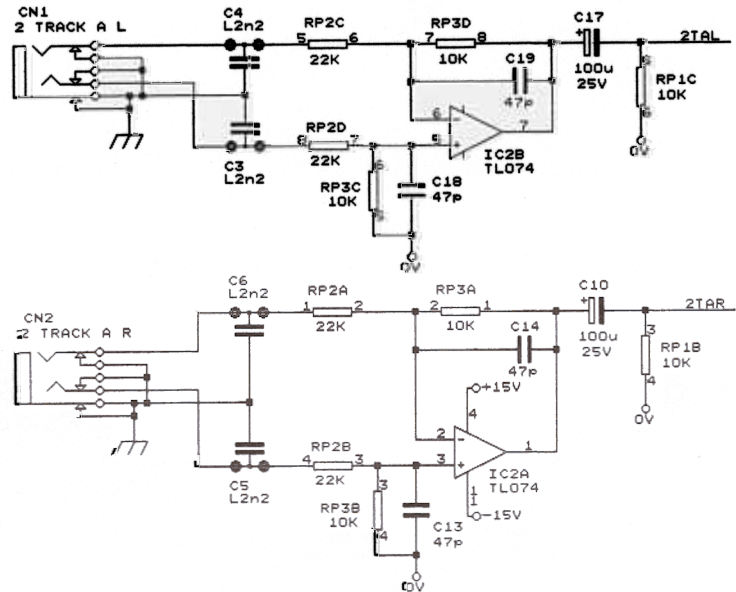
METERING SHEET 3



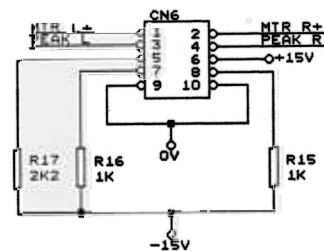
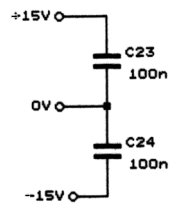
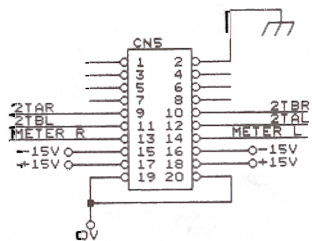
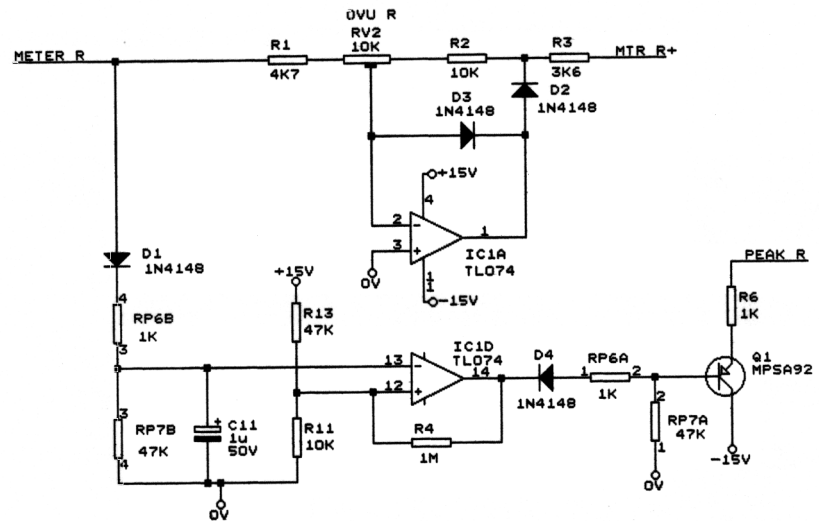
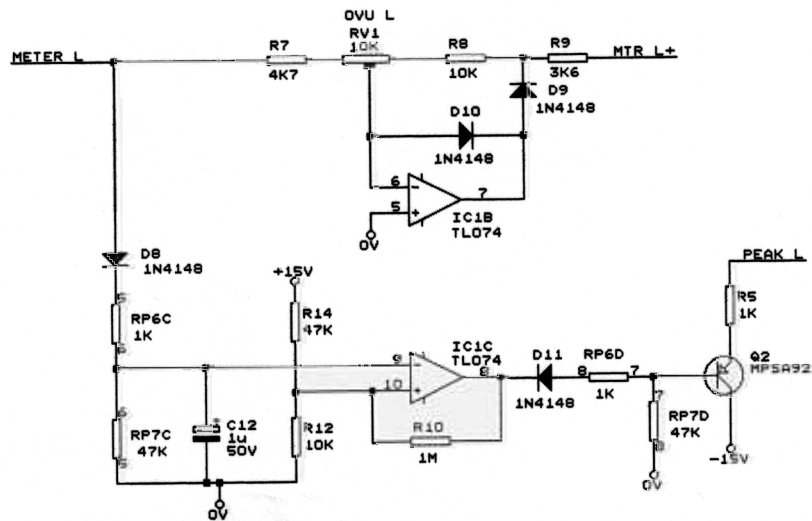
DISPLAY SHEET 4



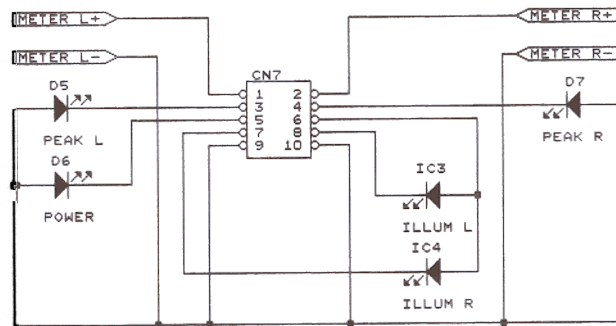
TL Audio	
COPYRIGHT 2006	
Title	
M1 TUBETRACKER 2T RETURNS / METERING	
Size	
B	
Document Number	REV
CD1217	1
Date: January 3, 2006	
Sheet 1 of 4	



TL Audio	
COPYRIGHT 2006	
Title M1 TUBETRACKER 2T RETURNS / METERING	
Size Document Number	
B	CD1217
Date:	July 11, 2006 Sheet 2 of 4
REV	1



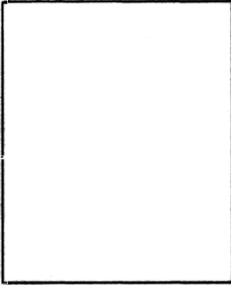
TL Audio	
COPYRIGHT 2006	
Title M1 TUBETRACKER 2T RETURNS / METERING	
Size Document Number B CD1217	
Date: January 3, 2006	Sheet 3 of 4
REV	1



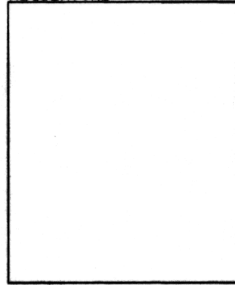
PC217A

TL Audio COPYRIGHT 2006			
Title			
M1 TUBETRACKER 2T RETURNS / METERING			
Size Document Number			
B	CD1217	REV	1
Date: September 22, 2006		Sheet	4 of 4

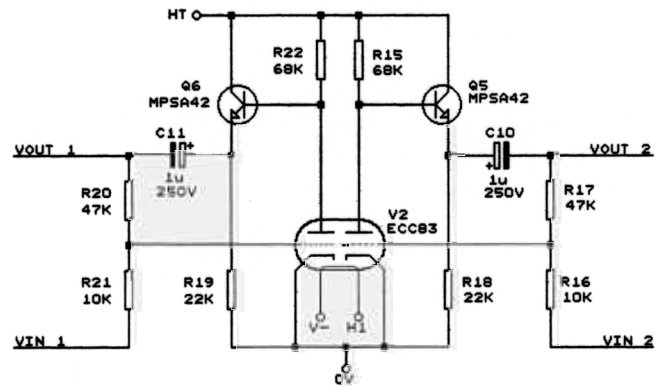
INPUTS 1-4



REGULATORS

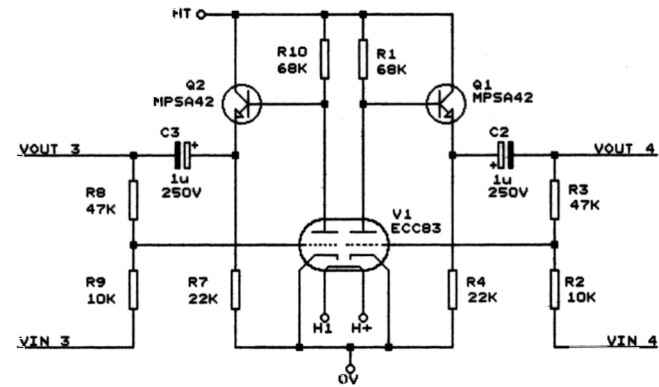


TL Audio			
COPYRIGHT 2006			
Title			
M1 TUBETRACKER BACKPLANE 1-8			
Size Document Number			
B	CD1218		REV
Date: January 11, 2006			Sheet 1 of 3



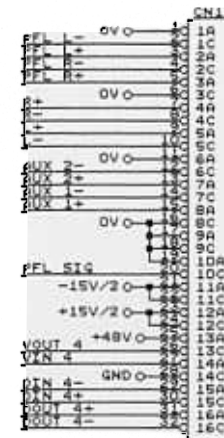
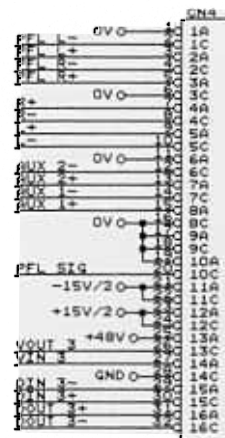
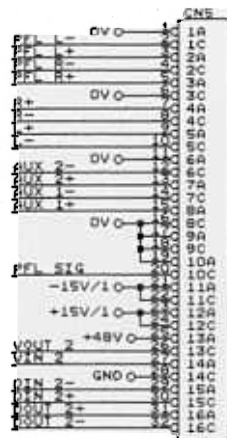
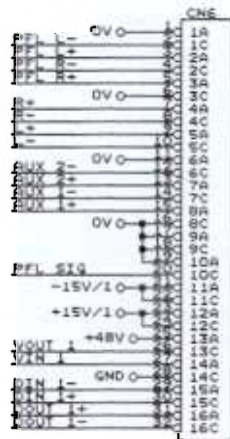
CHANNEL 1/5/9

CHANNEL 2/6/10



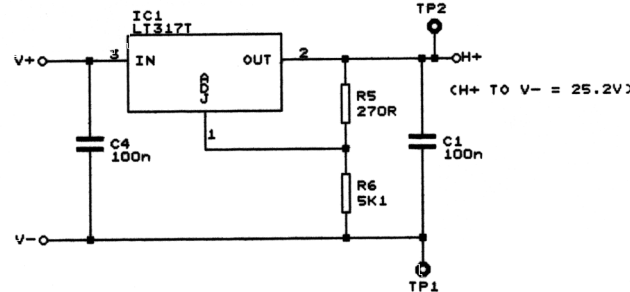
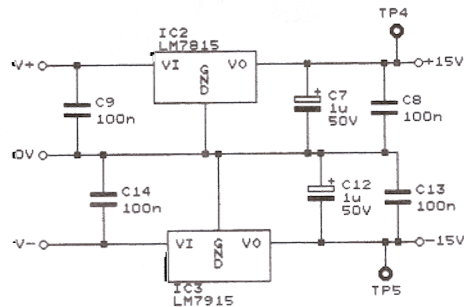
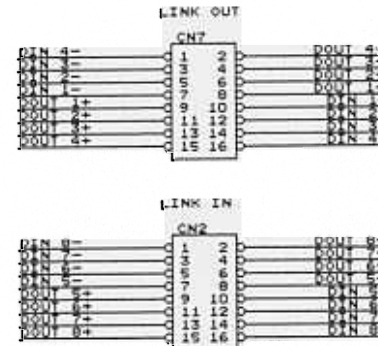
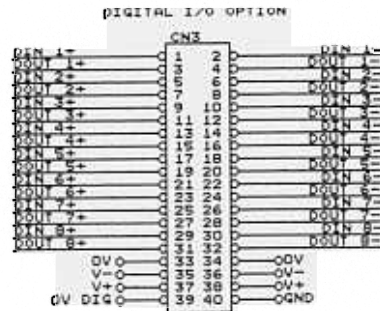
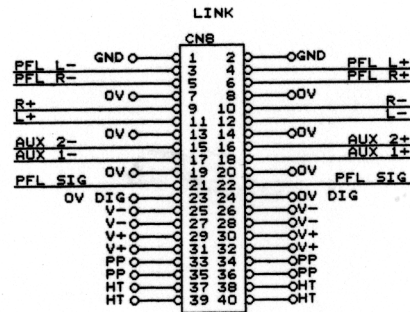
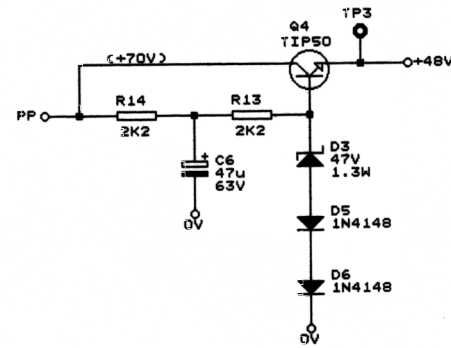
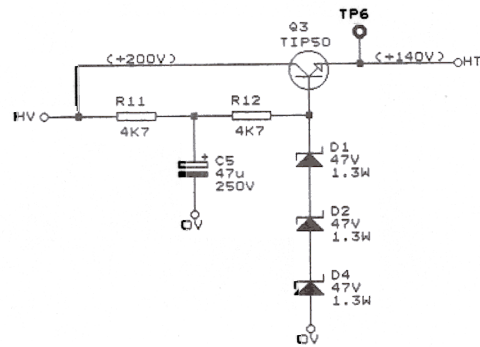
CHANNEL 3/7/11

CHANNEL 4/8/12

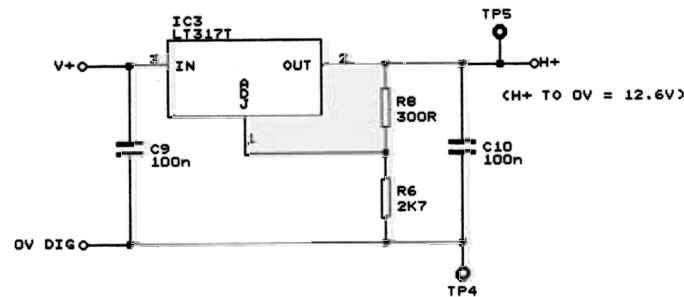
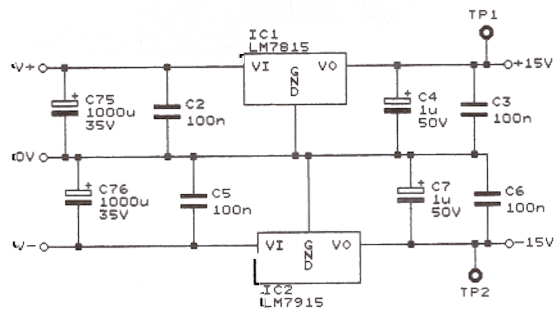
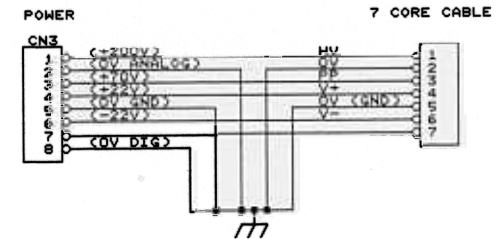
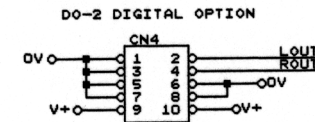
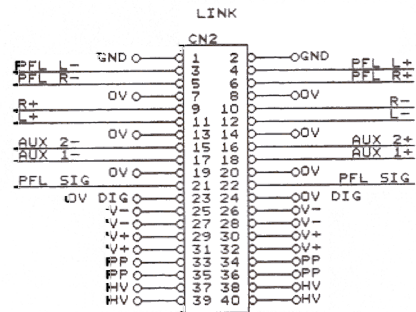
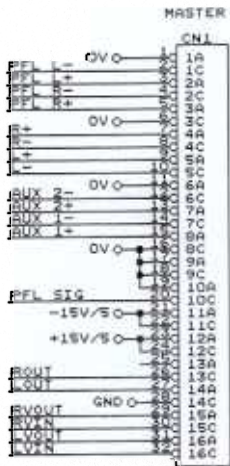
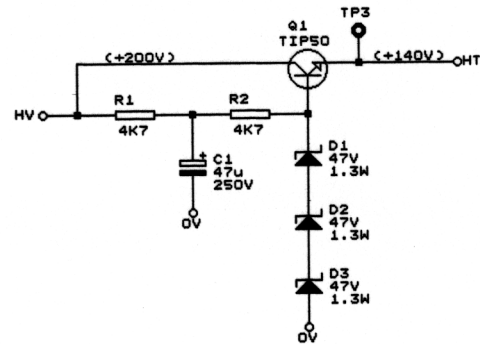
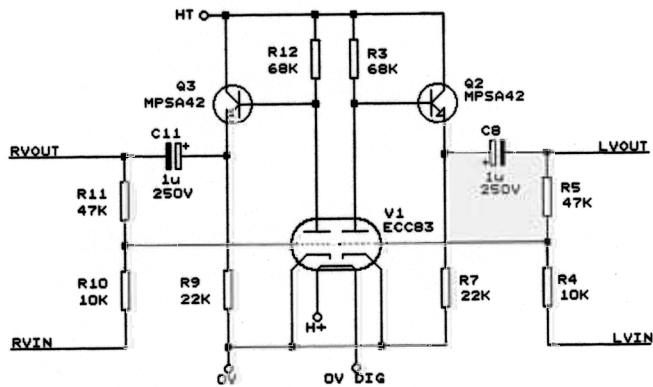


TL Audio LIMITED
COPYRIGHT 2006

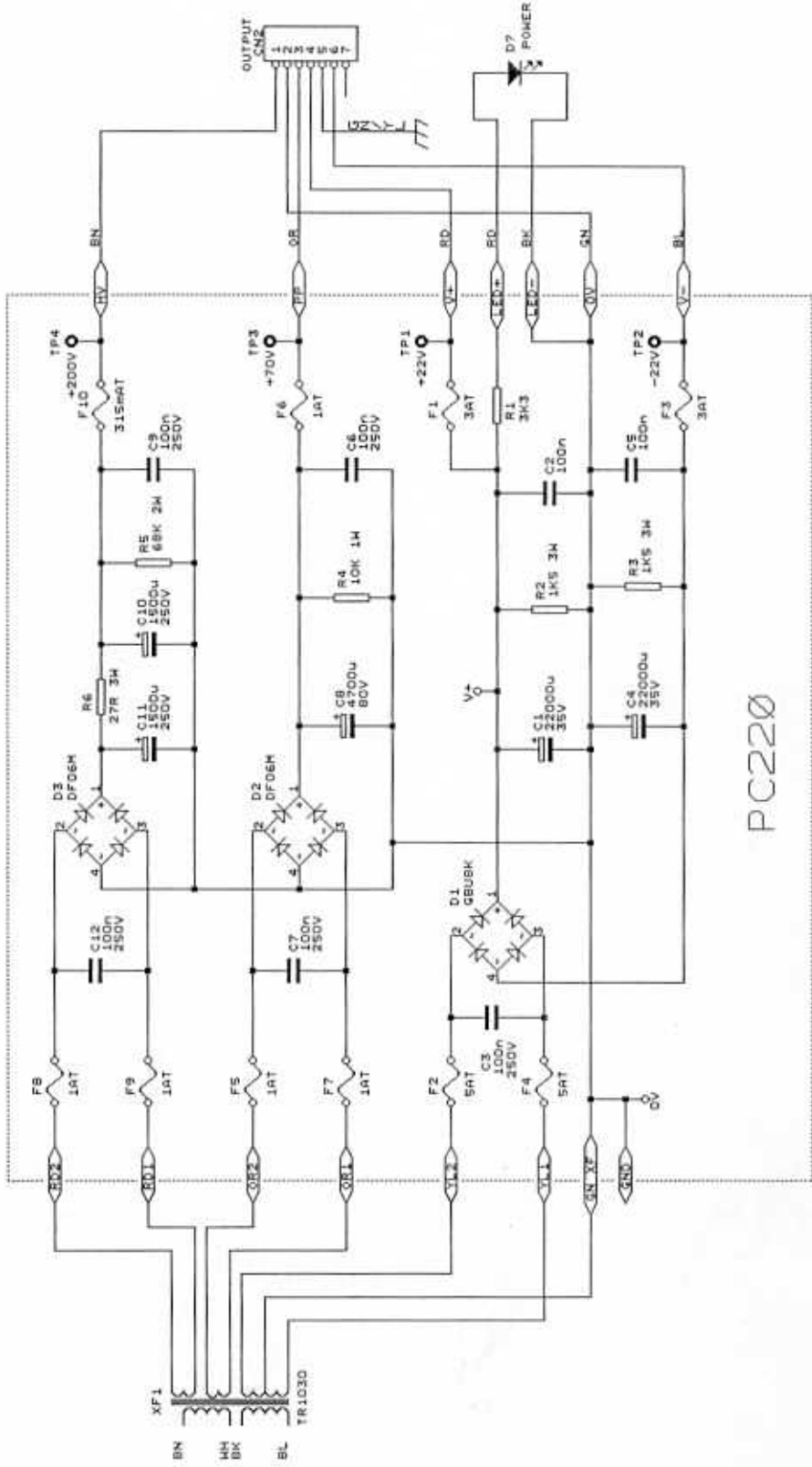
Title		M1 TUBETRACKER CHANNEL BACKPLANE
Size		Document Number
B	CD1218	REV 1
Date:	January 13, 2006	Sheet 2 of 3



TL Audio LIMITED COPYRIGHT 2006		
Title M1 TUBETRACKER CHANNEL BACKPLANE		
Size Document Number B CD1218		REV 1
Date: January 13, 2006 Sheet 3 of 3		



TL Audio LIMITED COPYRIGHT 2006		
Title M1 TUBETRACKER MASTER BACKPLANE		
Size	Document Number	REV
B	CD1219	2
Date:	July 11, 2006	Sheet 1 of 1



PC181

PC220

TL Audio	
Copyright 2006	
Title	M1 TUBETRACKER PSU
Size	Document Number
B	CD1220
REV	1
Date:	January 16, 2006 Sheet 1 of 1