

How to take off the tape running mechanics.

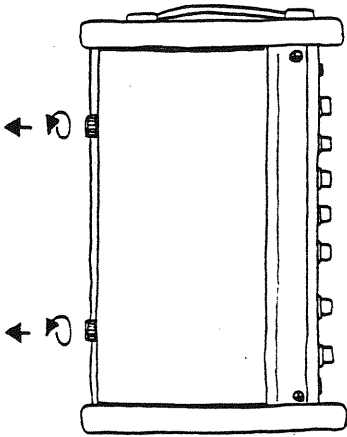


FIG. 1  
Take off acril-cover,  
loosening screws.

Screw = M4x14mm, Chrome x 2 PCS

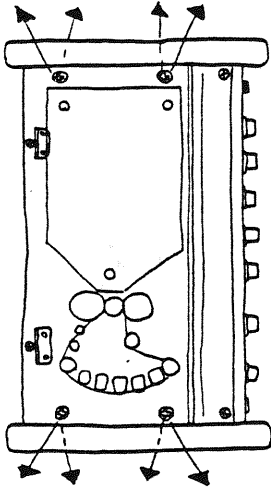


FIG. 2  
Take off side-boards, loosening  
4 screws.

Screw = M4x10mm, Black Nickel x 8 PCS

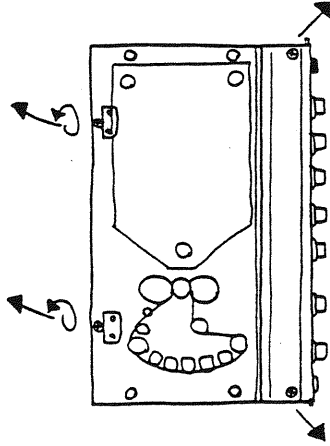


FIG. 3

Screw = M3x5mm, Nickel --- x 2 PCS  
= M3x6mm, Black Nickel x 2 PCS

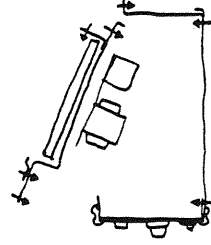


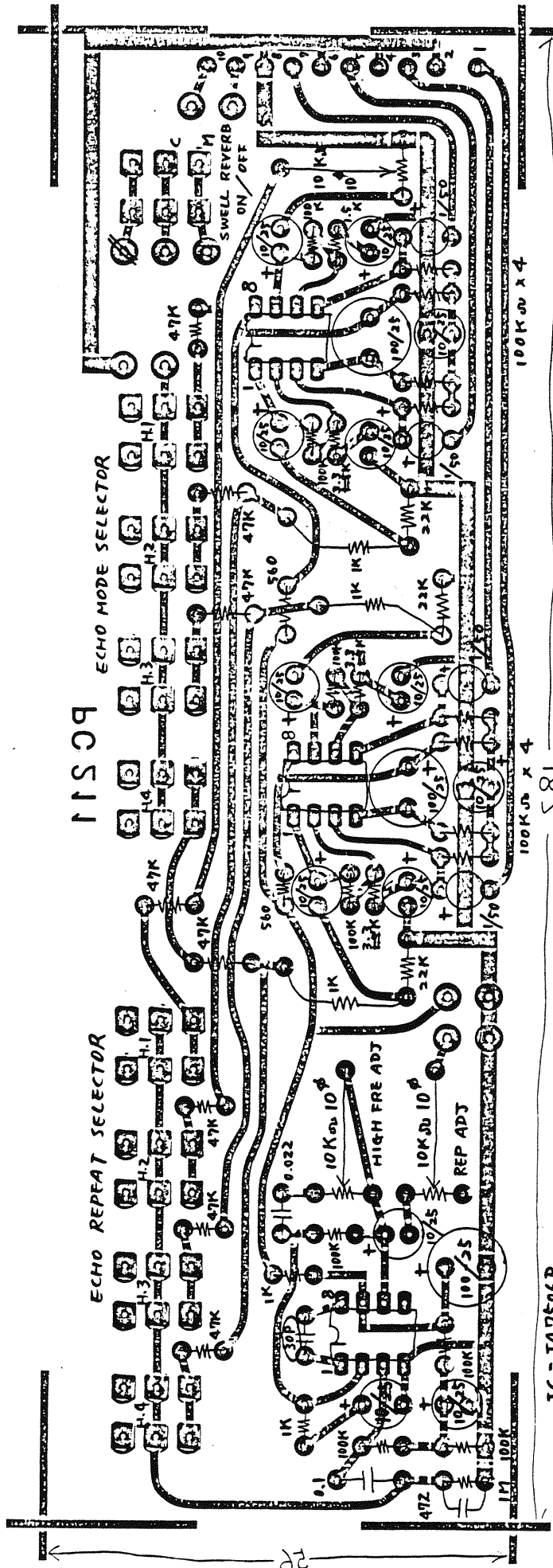
FIG 4 横面

Disassembling picture.









IC = TA7506P

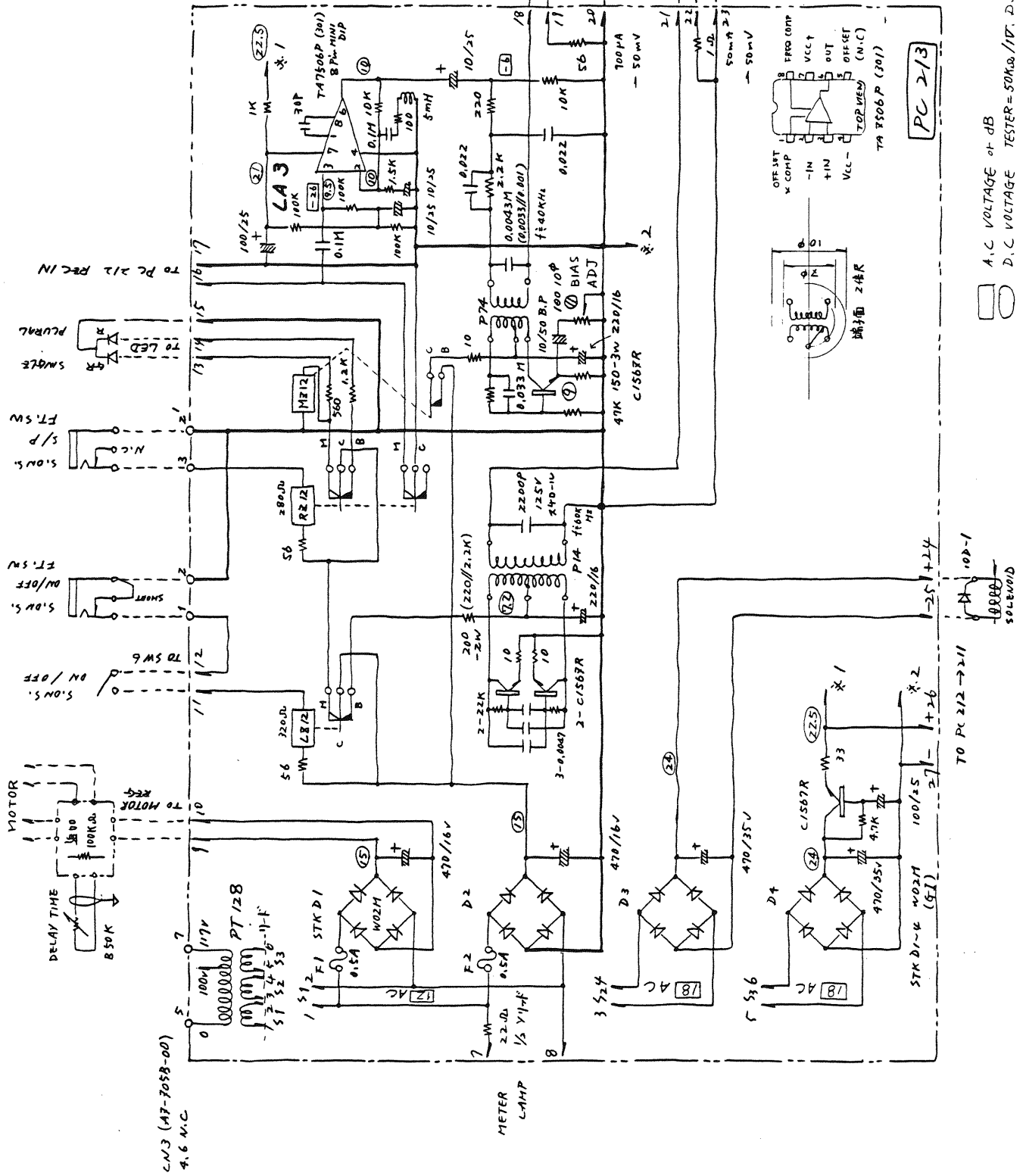
IC = MA1458CTC  
OR 4558D

IC = MA1458CTC  
OR 4558D

PC-211 PARTS SIDE



--- 5p  
 --- 6p  
 --- 7p  
 --- 8p  
 --- 9p  
 --- 10p  
 --- 11p  
 --- 12p  
 --- 13p  
 --- 14p  
 --- 15p  
 --- 16p  
 --- 17p  
 --- 18p  
 --- 19p  
 --- 20p  
 --- 21p  
 --- 22p  
 --- 23p  
 --- 24p  
 --- 25p  
 --- 26p  
 --- 27p  
 --- 28p  
 --- 29p  
 --- 30p



A.C VOLTAGE of dB  
 D.C VOLTAGE TESTER=50KΩ/10V. D.C  
 指定の互換性は 1/4W 縦形  
 RESISTOR (WITHOUT SIGN) (VERTICAL SHAPE)