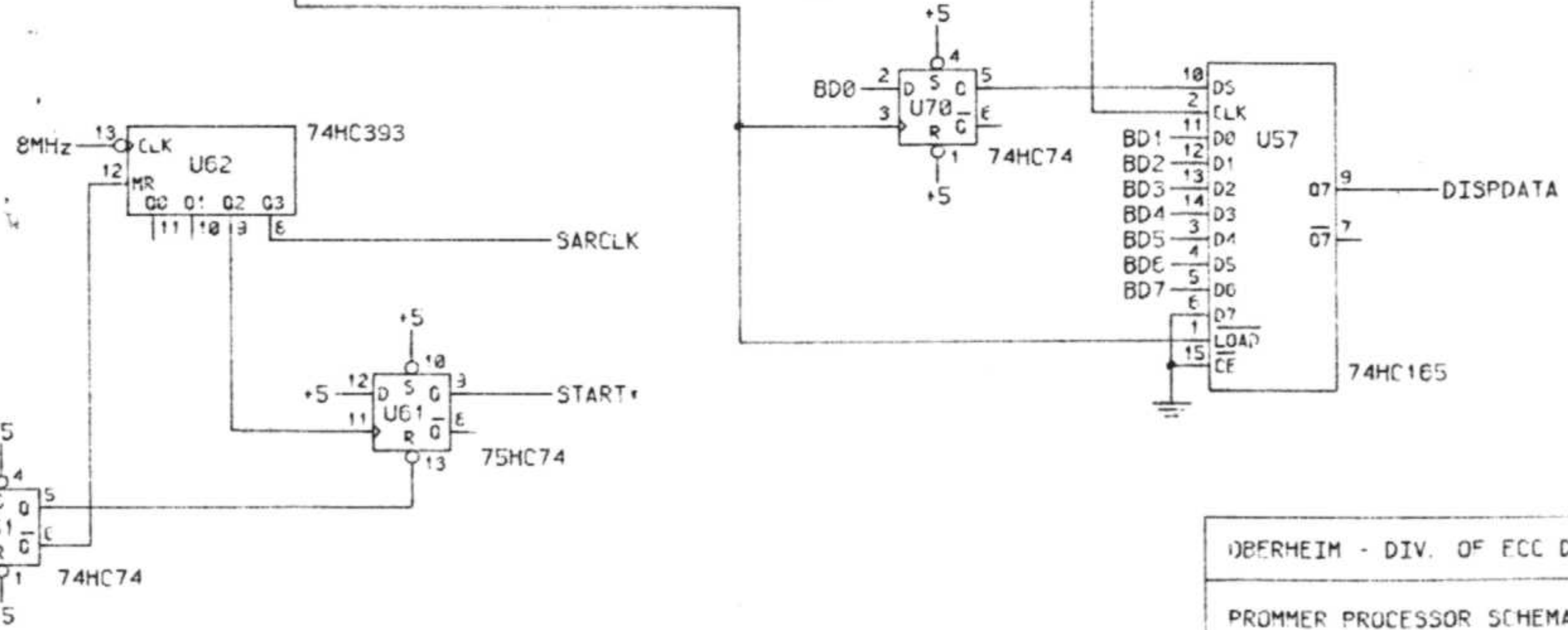
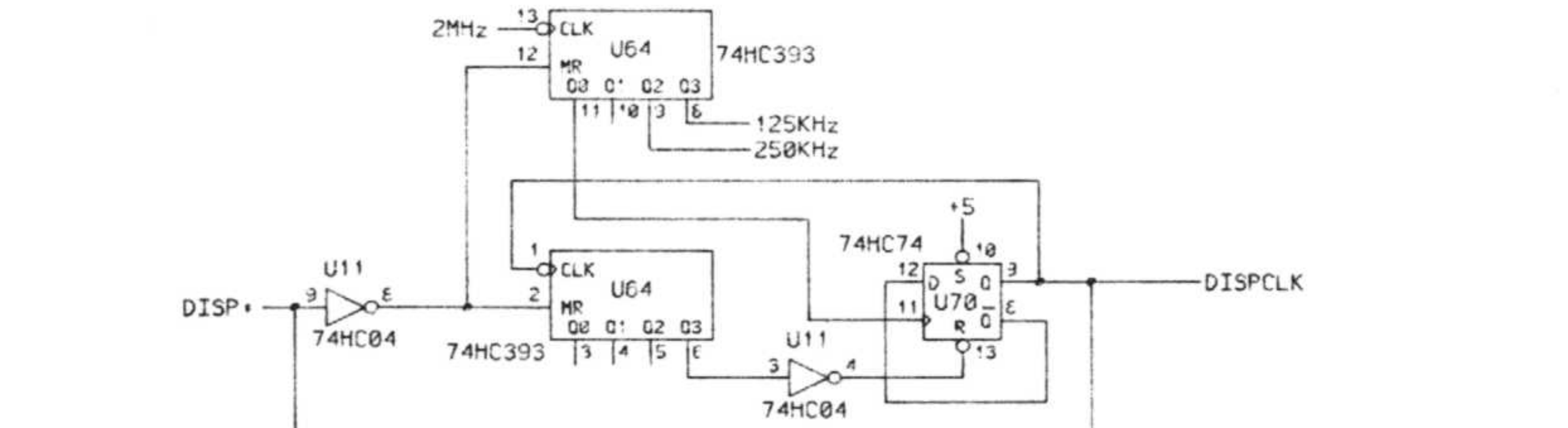
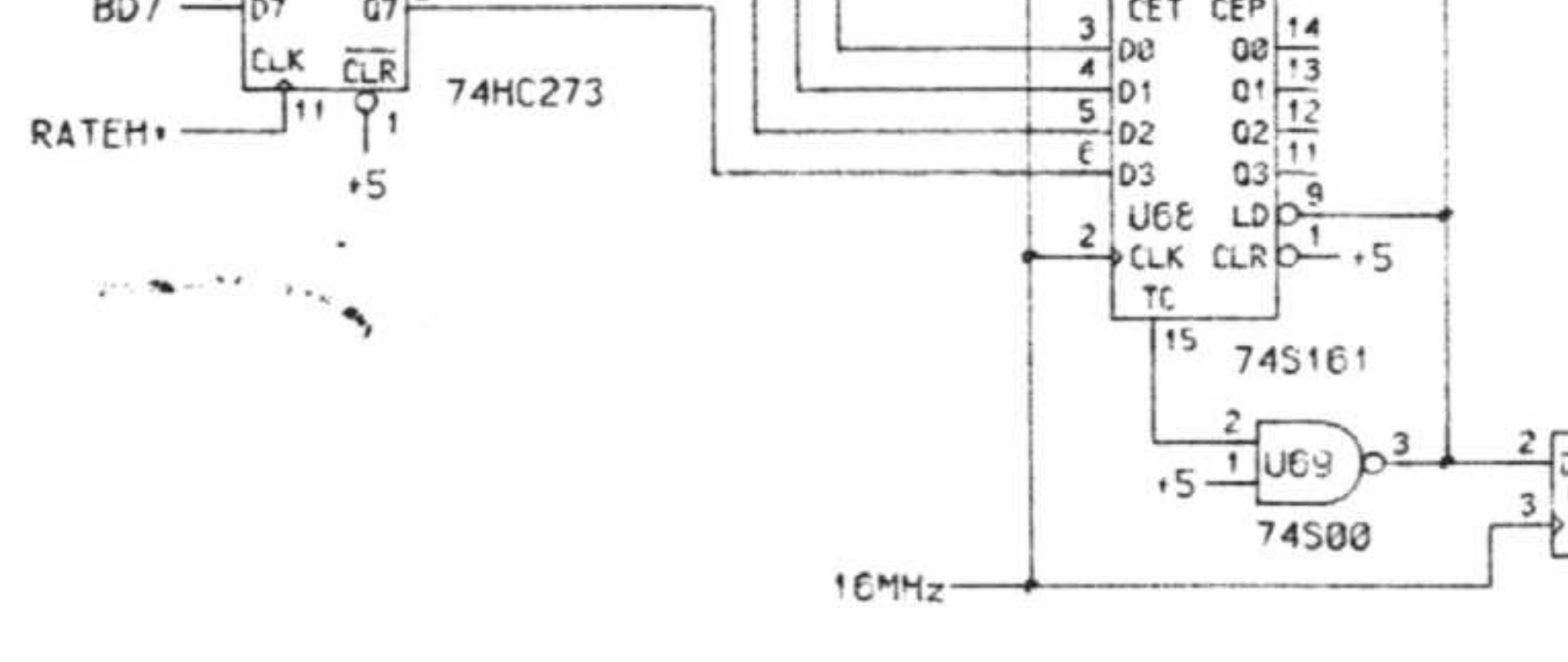
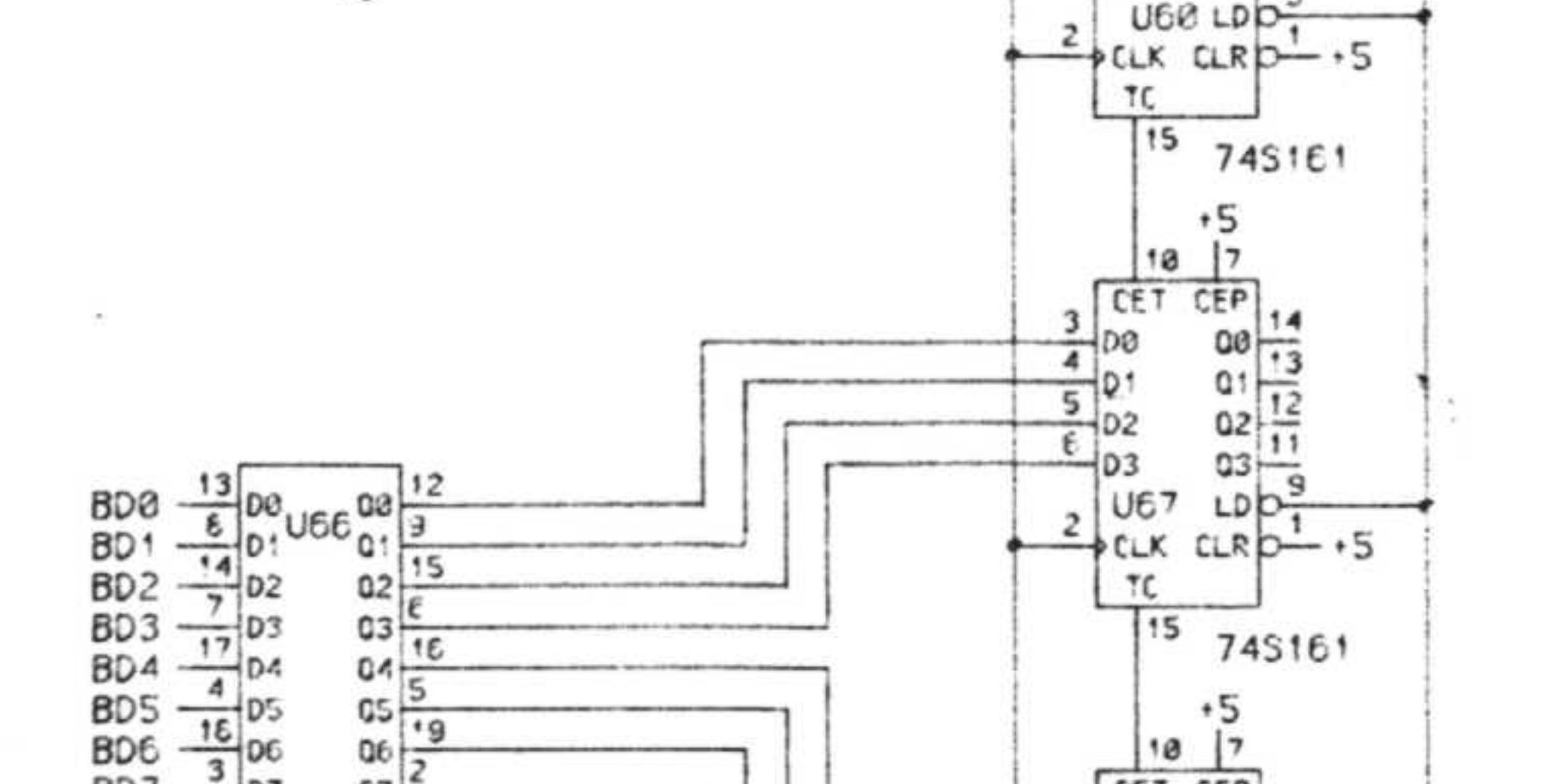
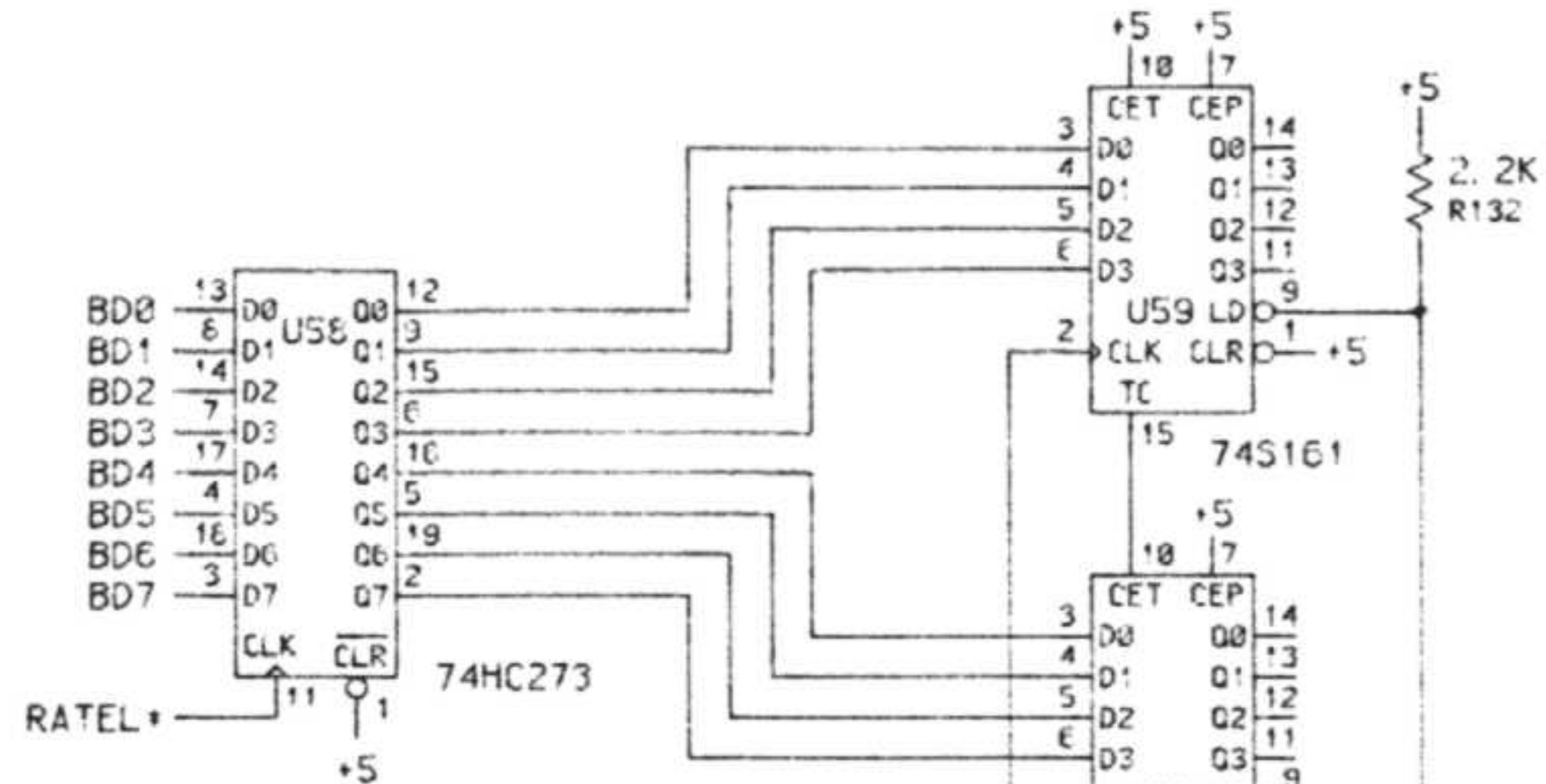
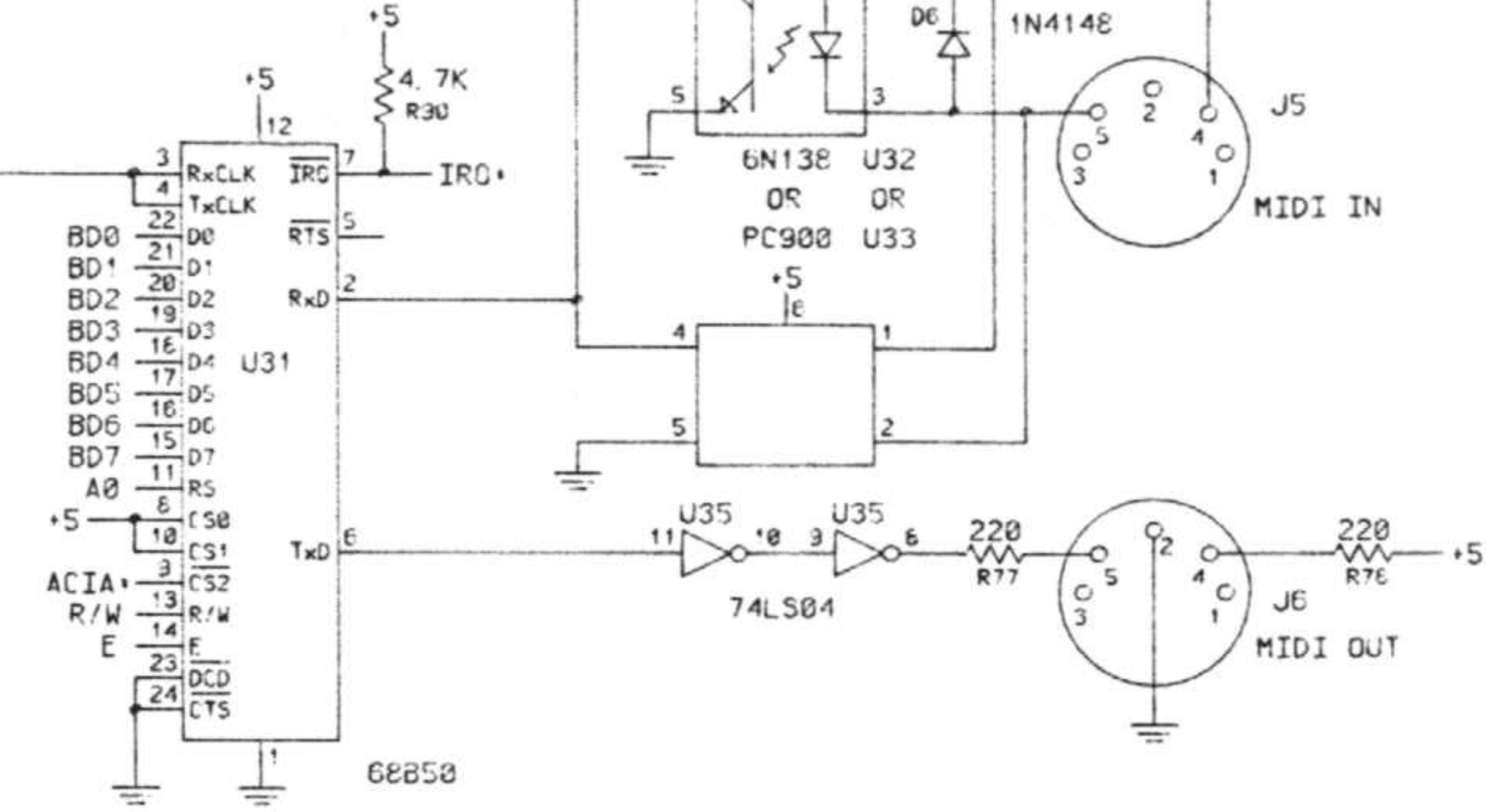
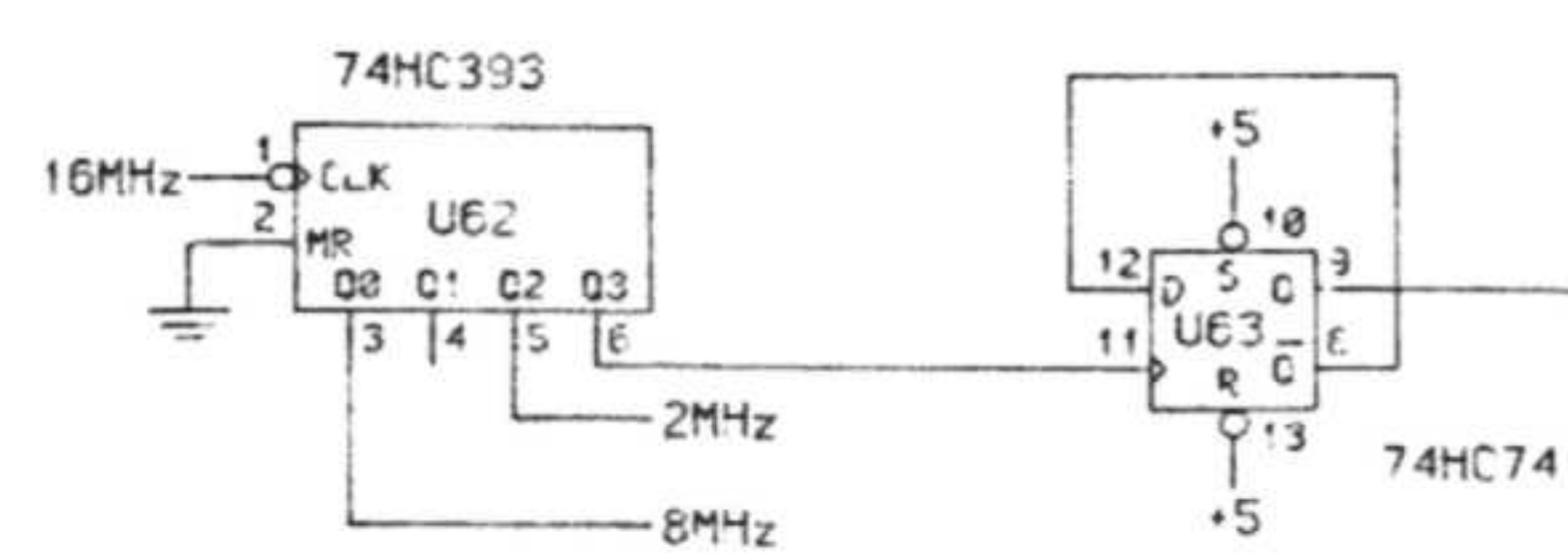
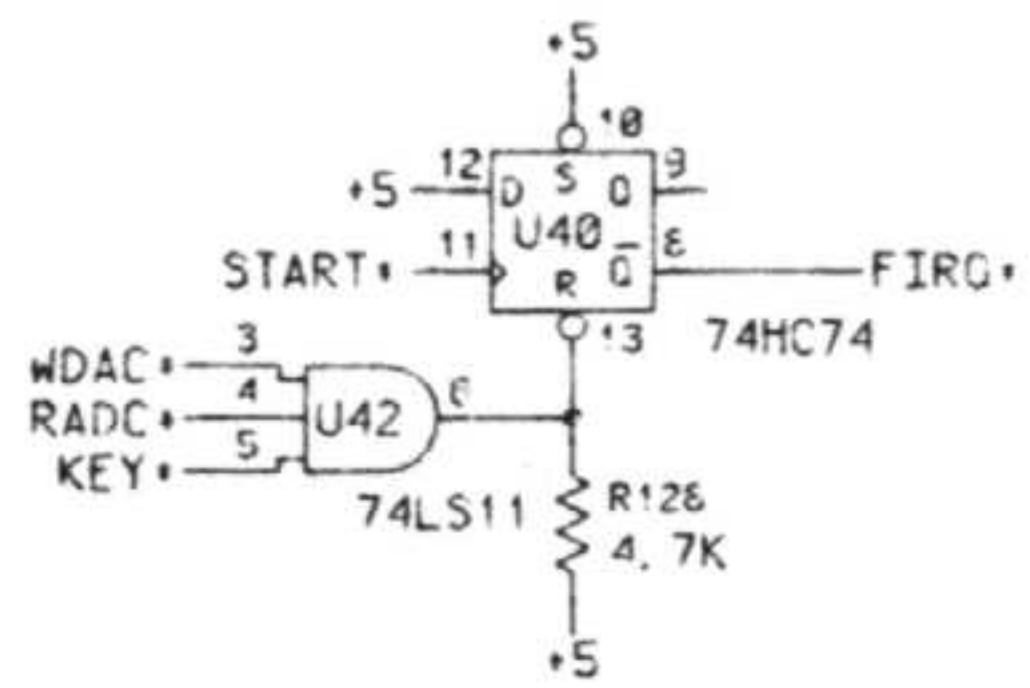
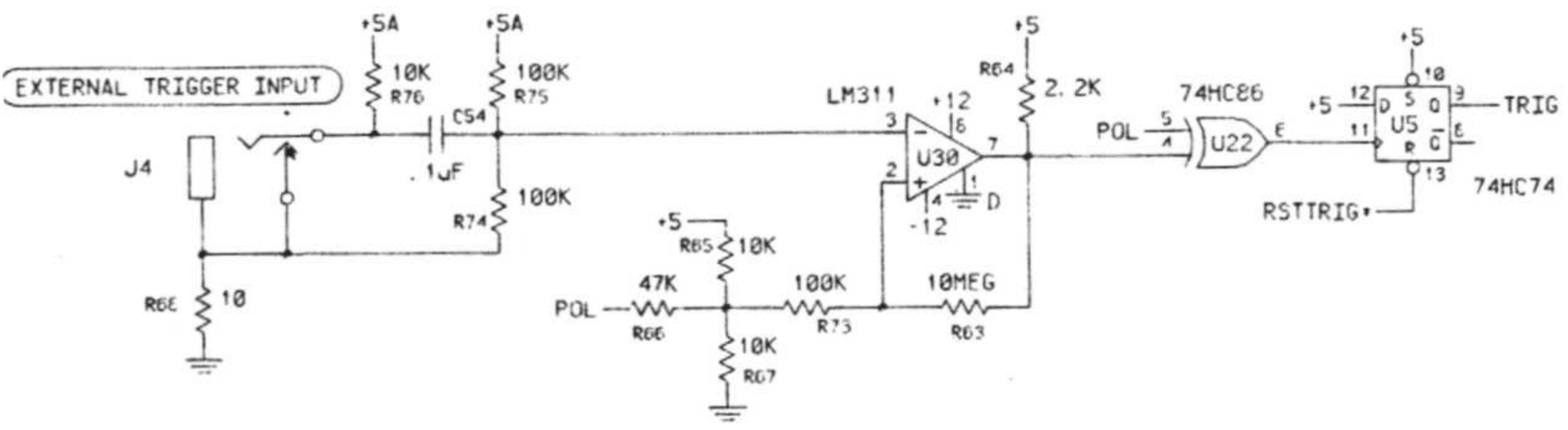
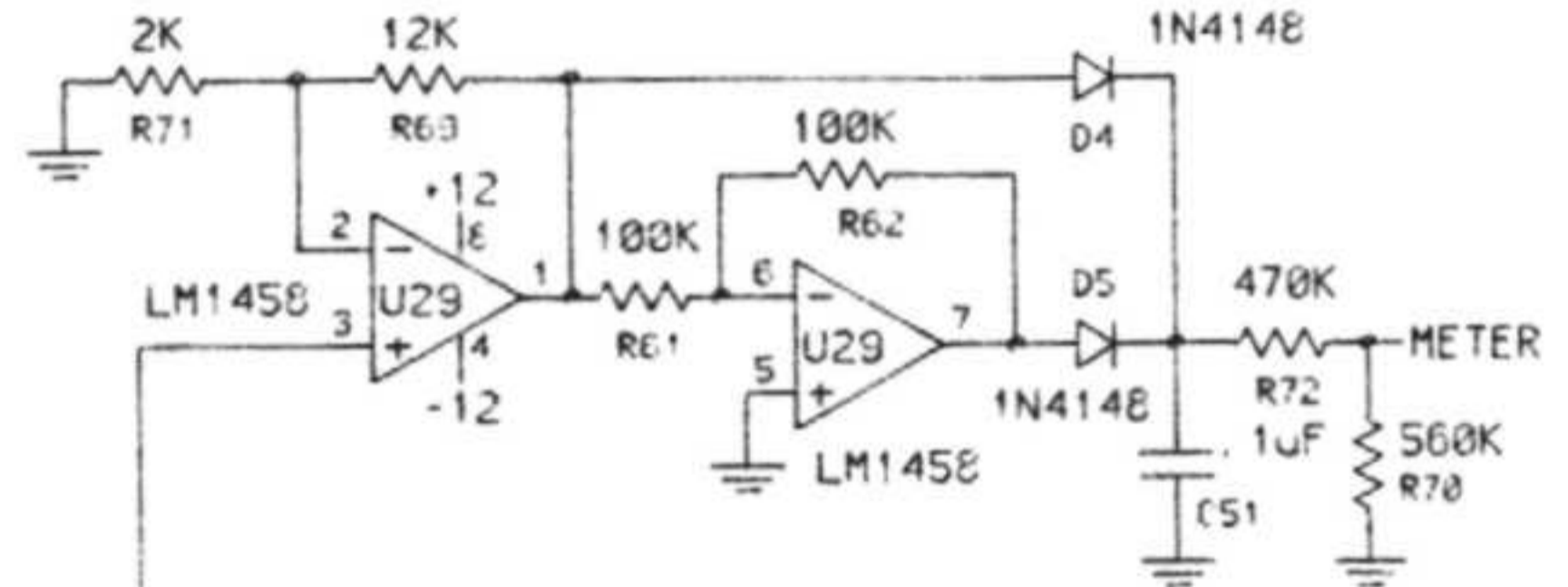
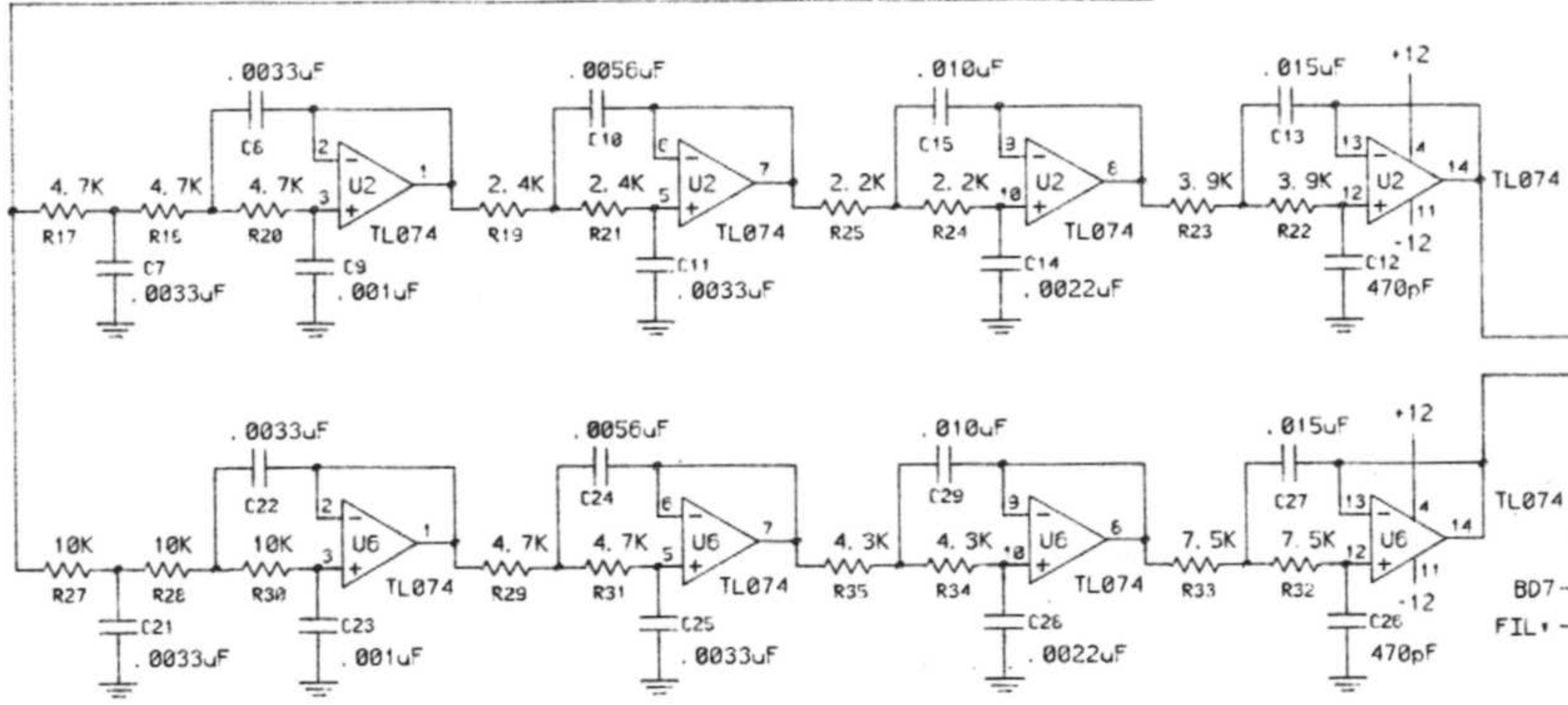
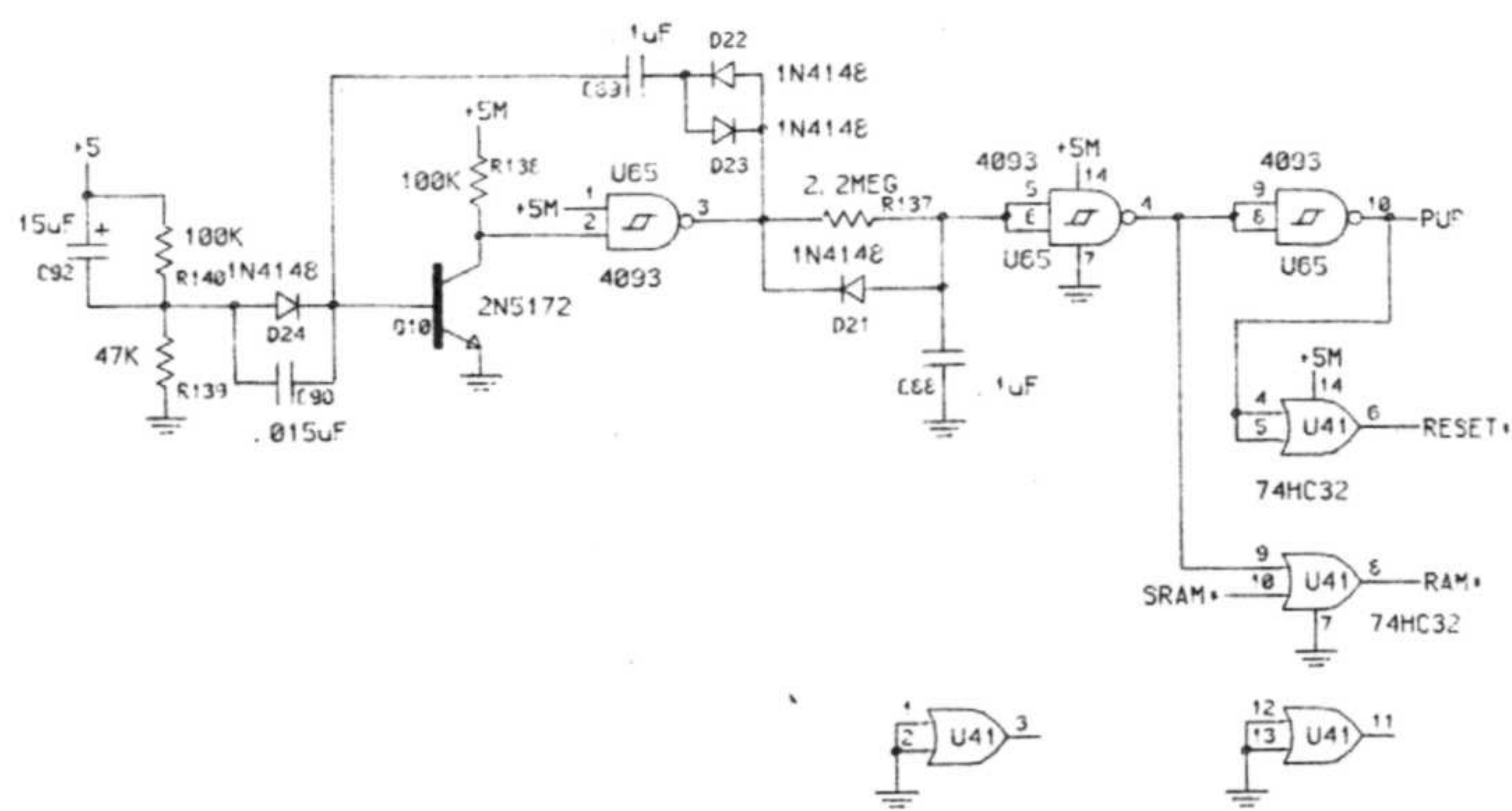
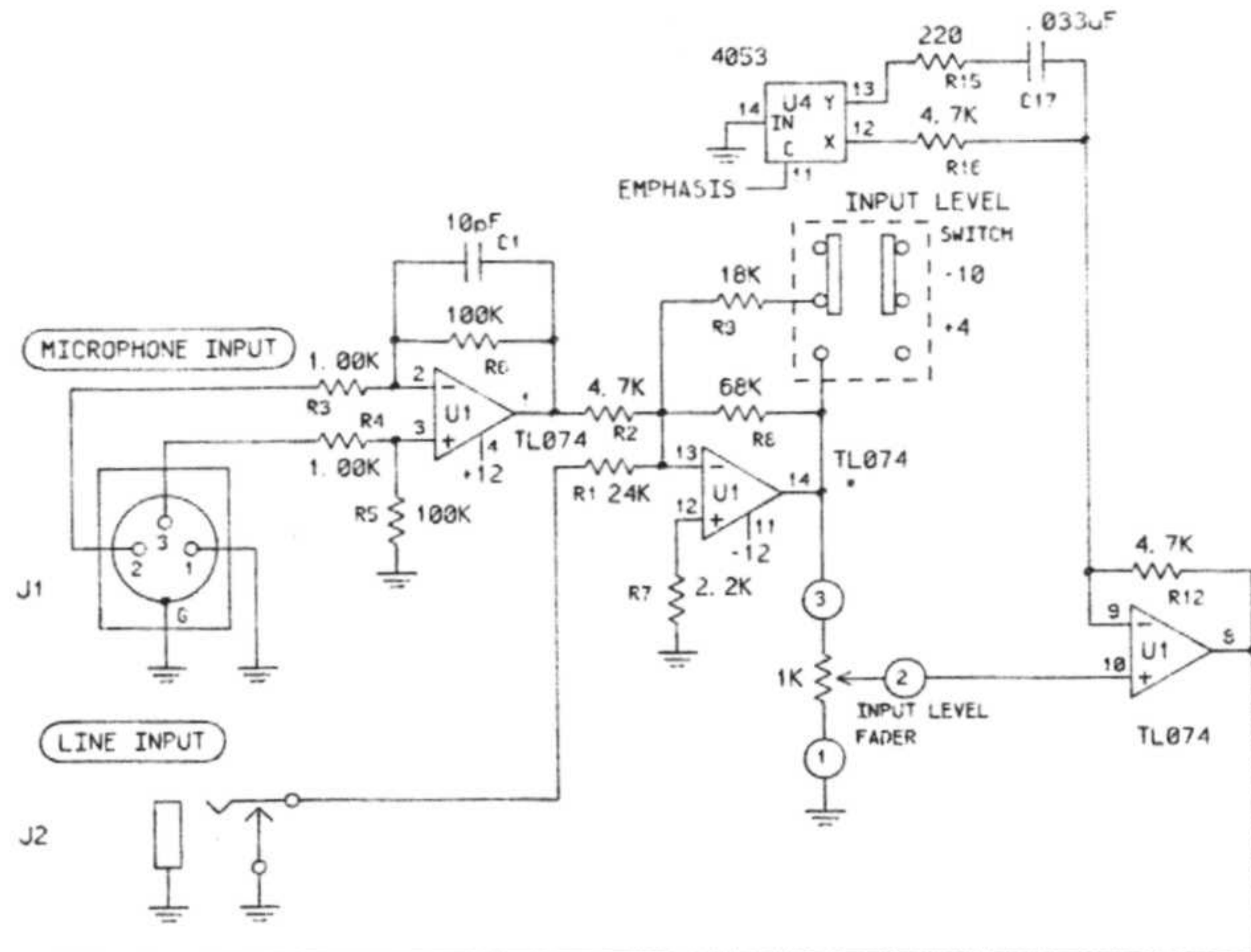


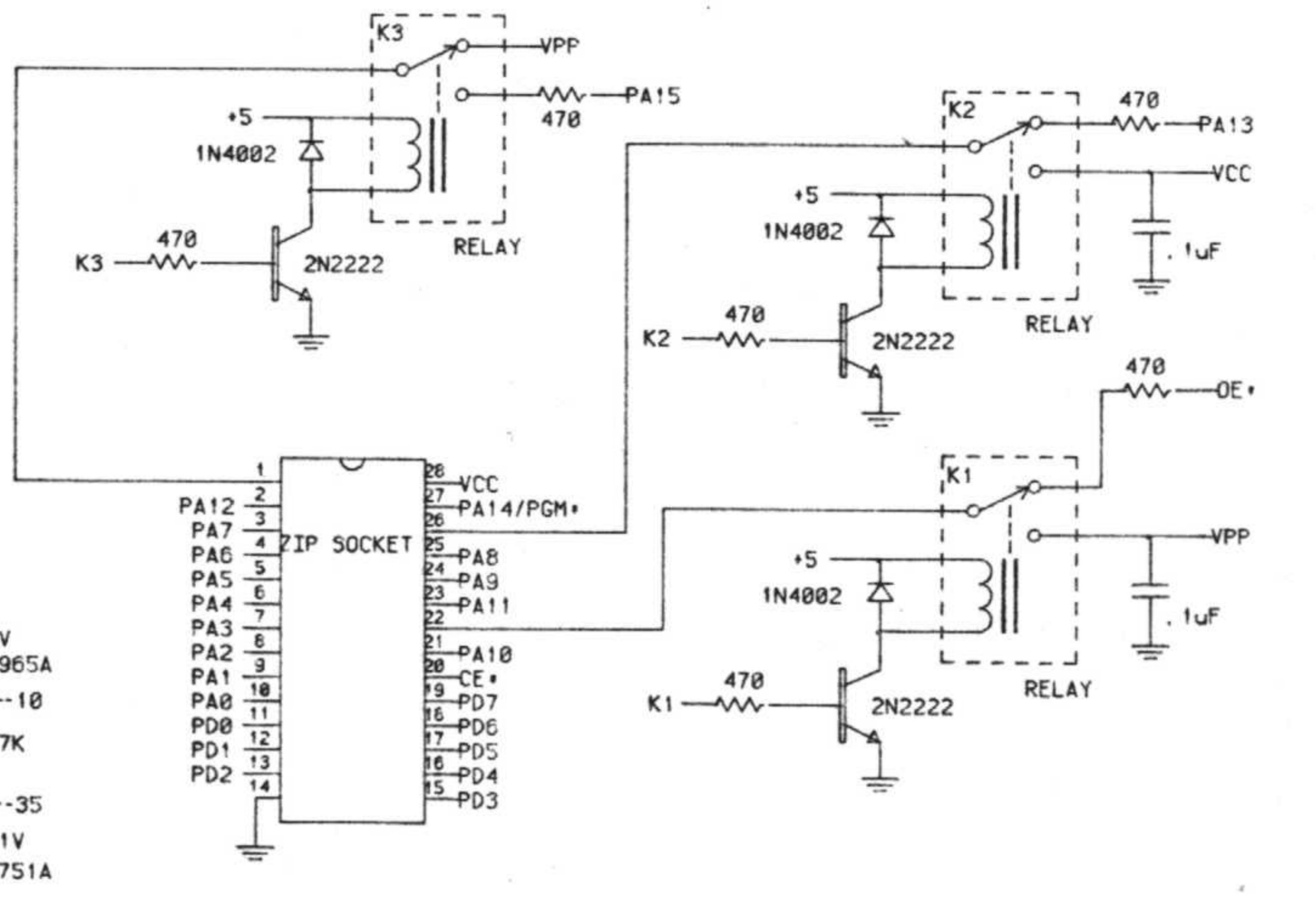
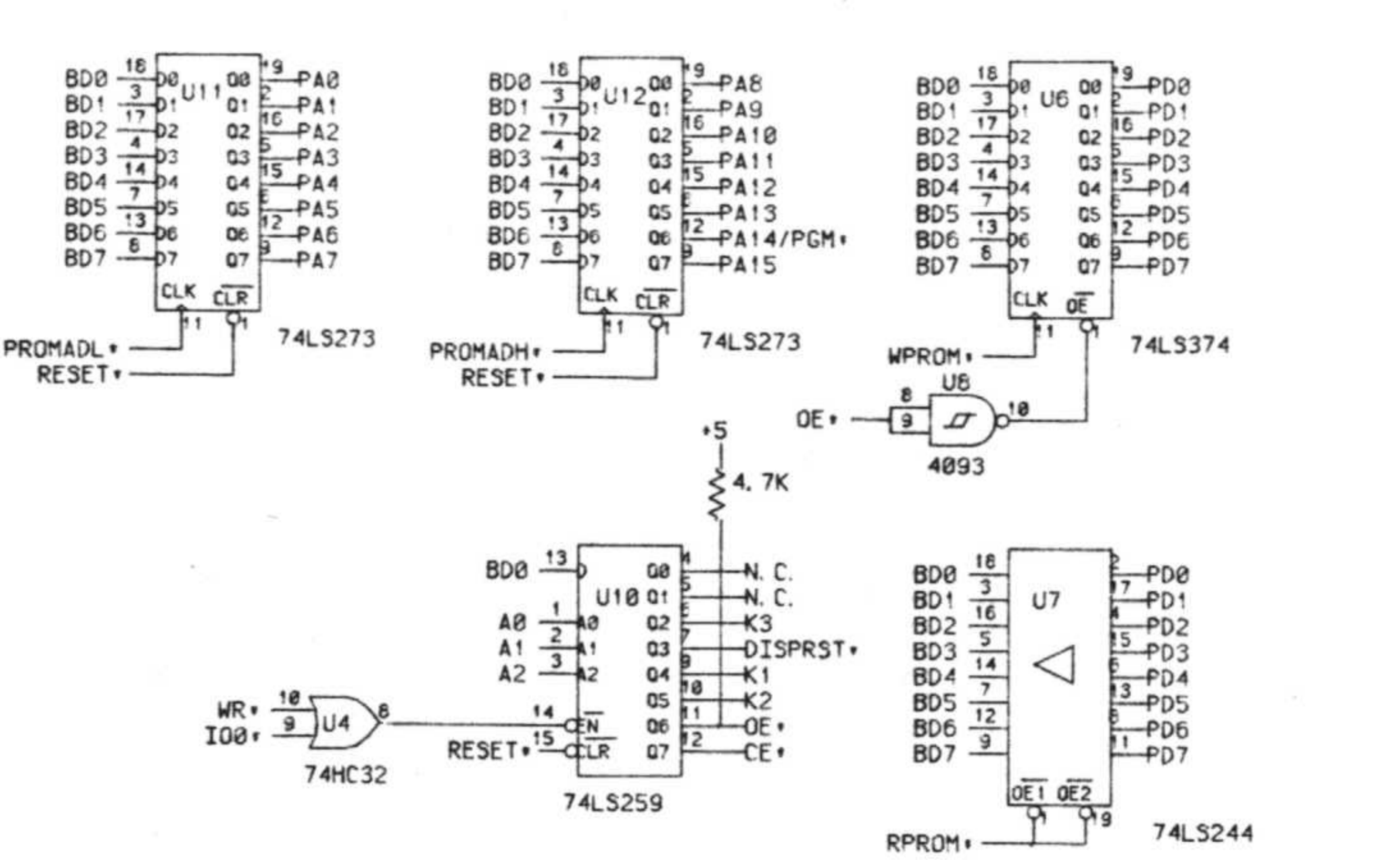
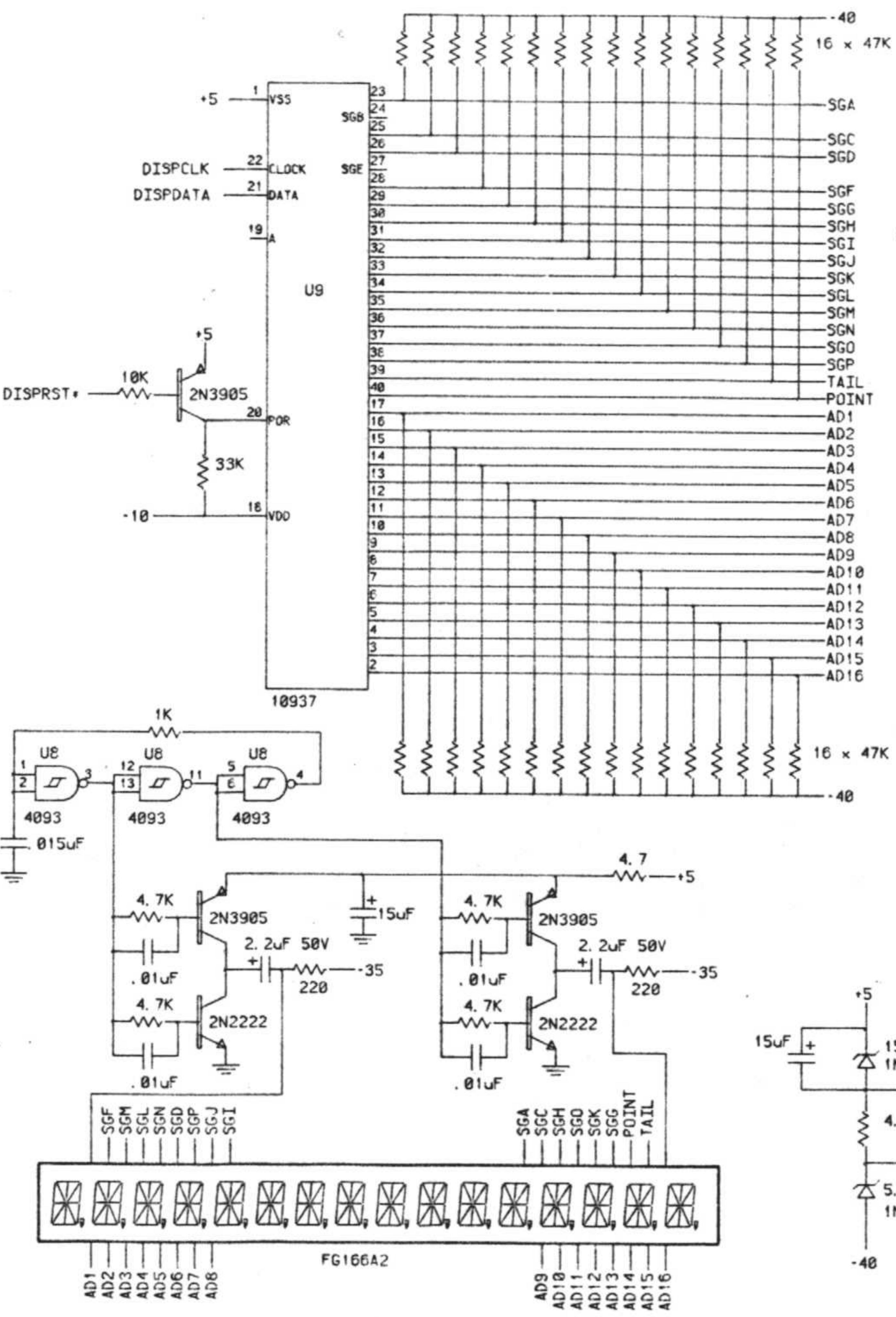
OBERHEIM - DIV. OF ECC DEV. CORP.
 PROMMER PROCESSOR SCHEMATIC
 2038 B



OBERHEIM - DIV. OF ECC DEV. CORP.
 PROMMER PROCESSOR SCHEMATIC
 2038 B



OBERHEIM - DIV. OF ECC DEV. CORP.
 PROMMER PROCESSOR SCHEMATIC
 2038 B
 P.W. PAGE 5



RELAYS ARE FUJITSU FBR211NCD005-M20
OR OMRON G2E-164P-H-DC5

OBERHEIM - DIV. OF ECC DEV. CORP.
PROMMER SWITCHBOARD SCHEMATIC
2047 B
P.W. PAGE 2

