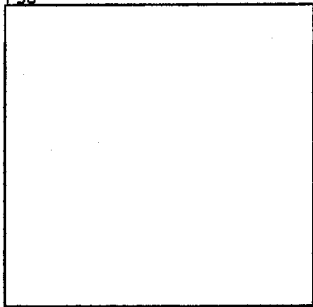


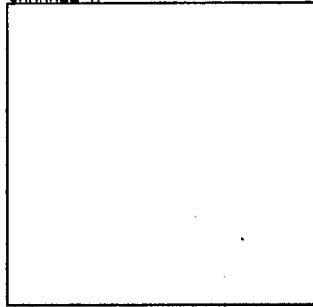
PA1 SCHEMATICS

Serial No: 953201 onwards

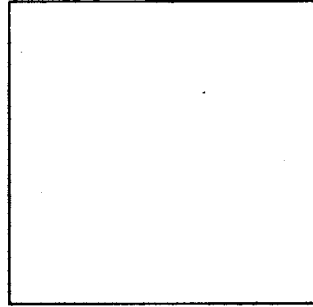
PSU



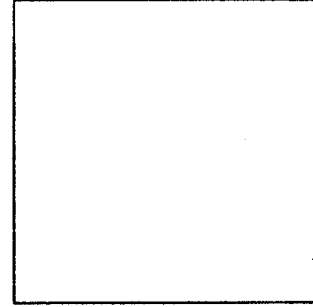
CHANNEL A



CHANNEL B



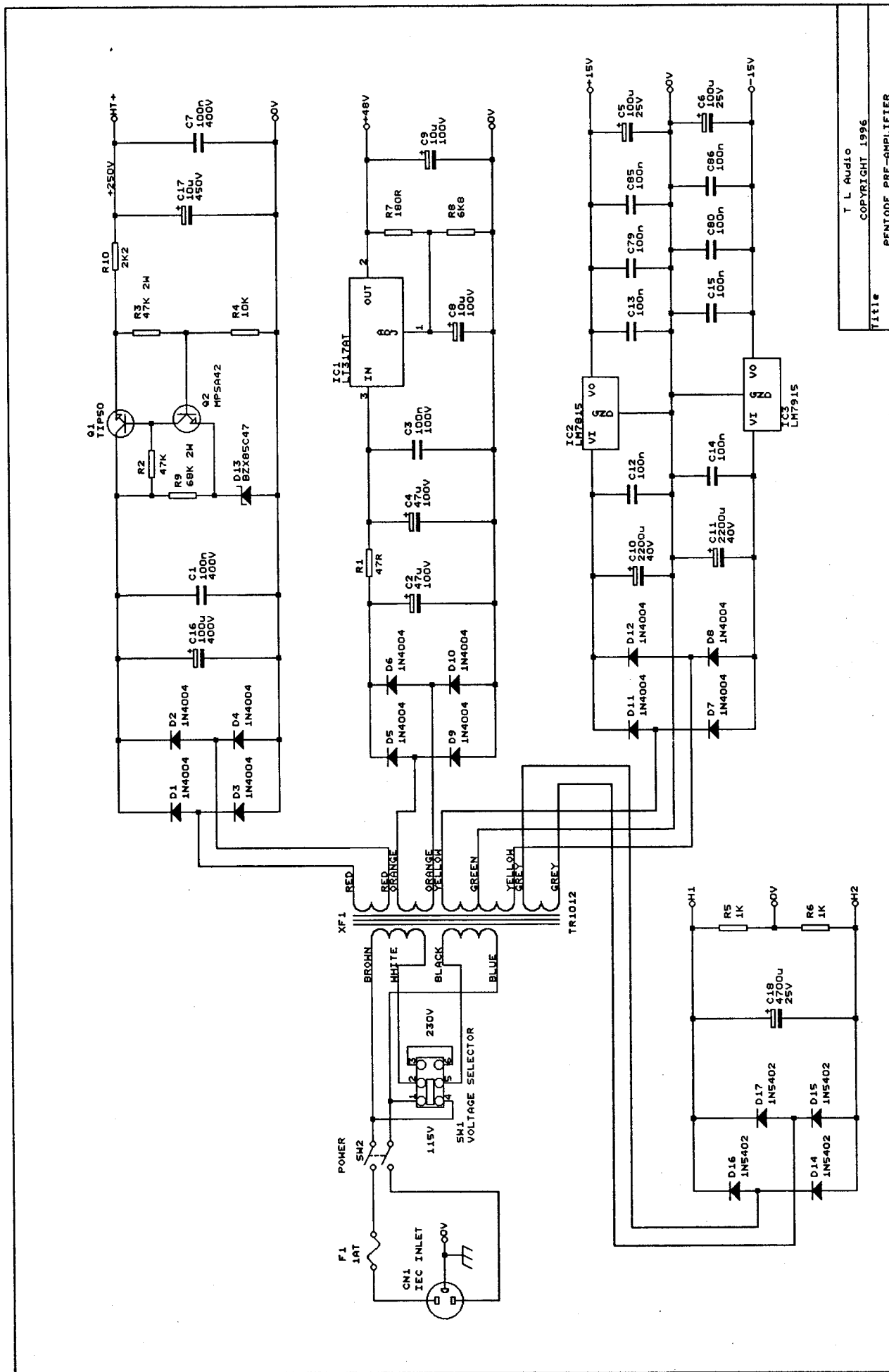
OUTPUT + LEVEL DETECT

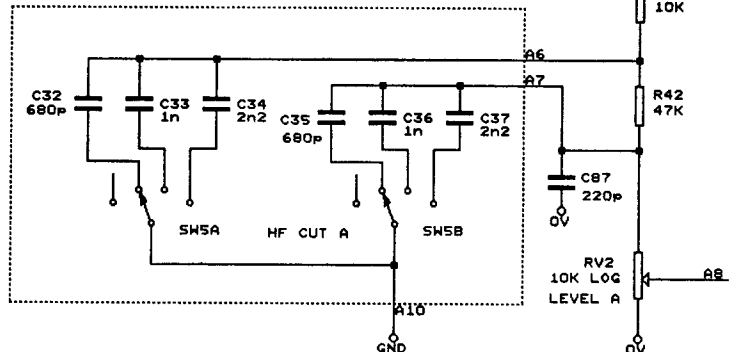
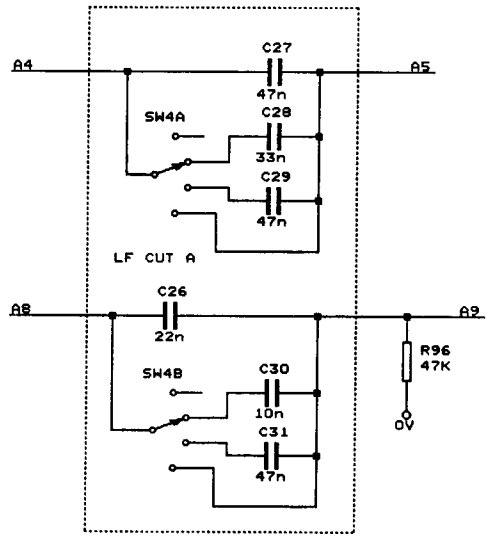
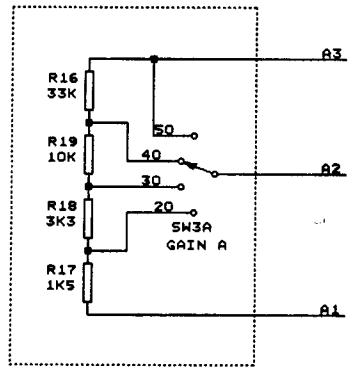
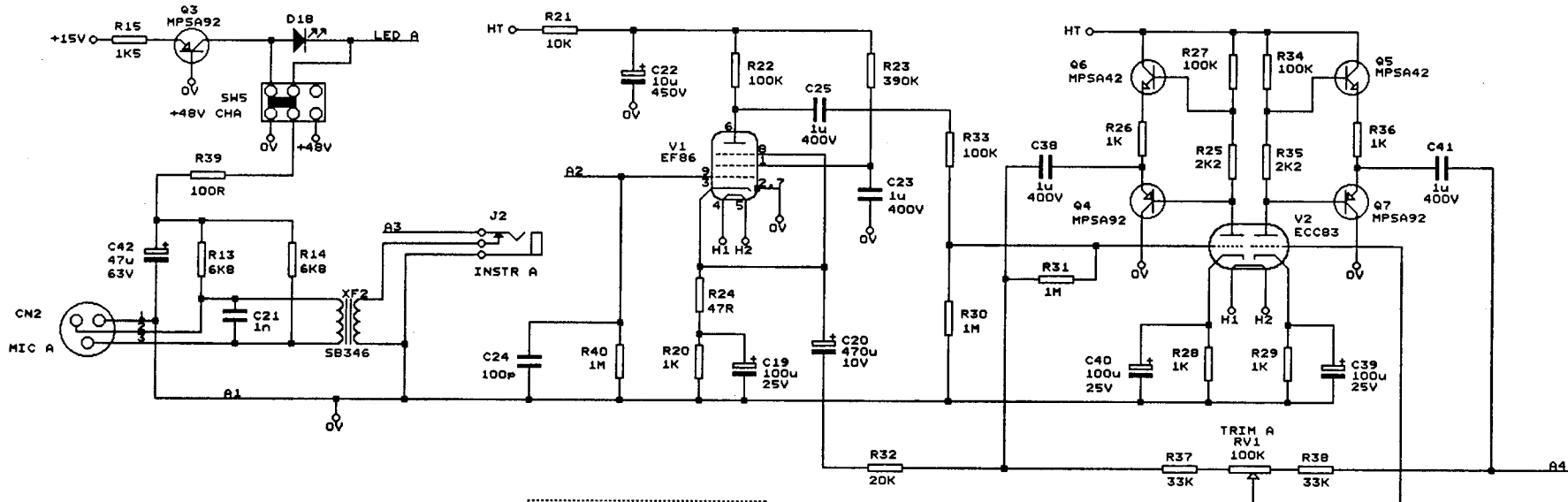


PA1 SCHEMATICS

Serial No: 953201 onwards

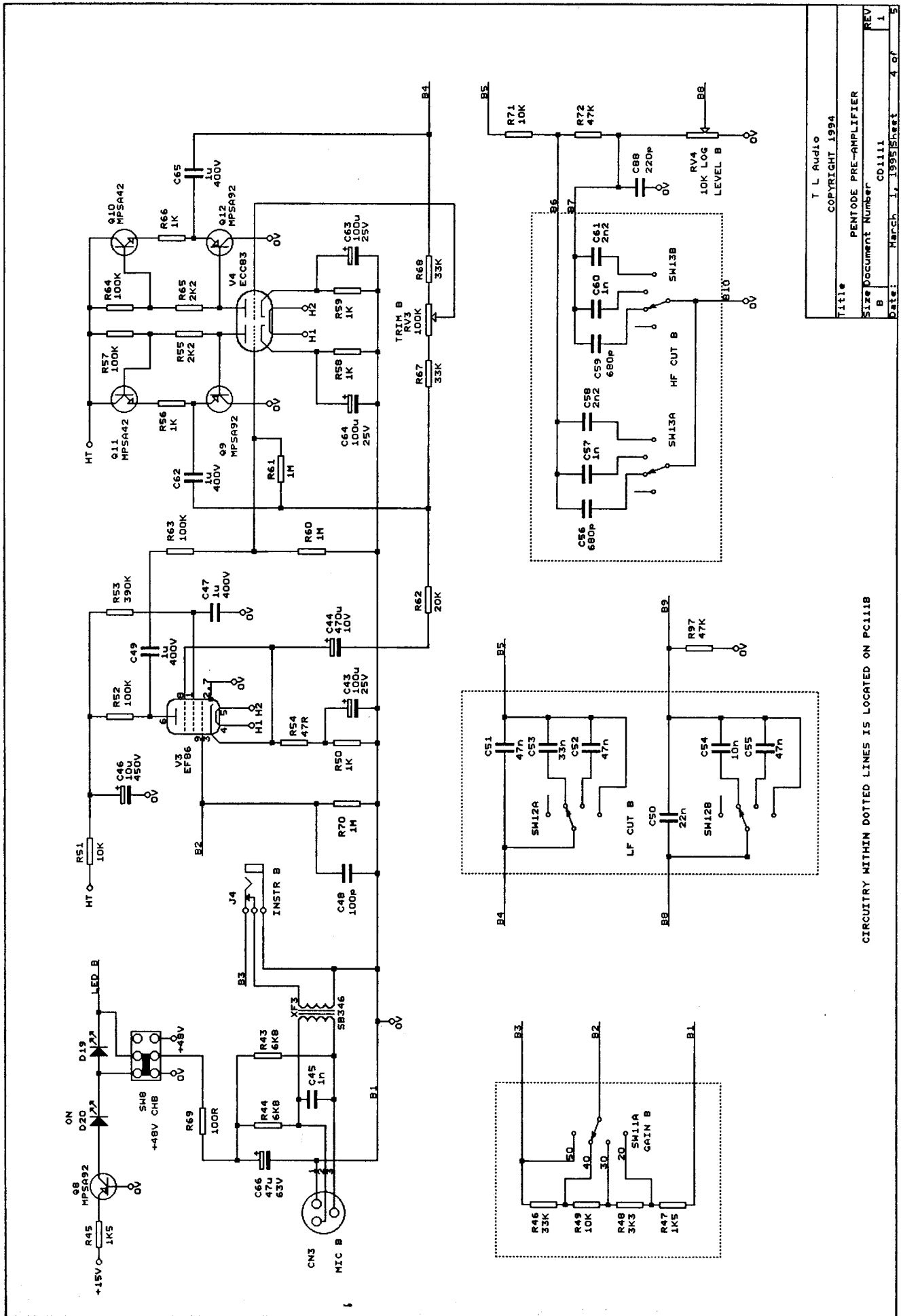
| | |
|-----------------------------|--------------|
| TL Audio | |
| COPYRIGHT 1996 | |
| Title PENTODE PRE-AMPLIFIER | |
| Size Document Number | REV |
| B CD1111 | 4 |
| Date: January 28, 1996 | Sheet 1 of 5 |





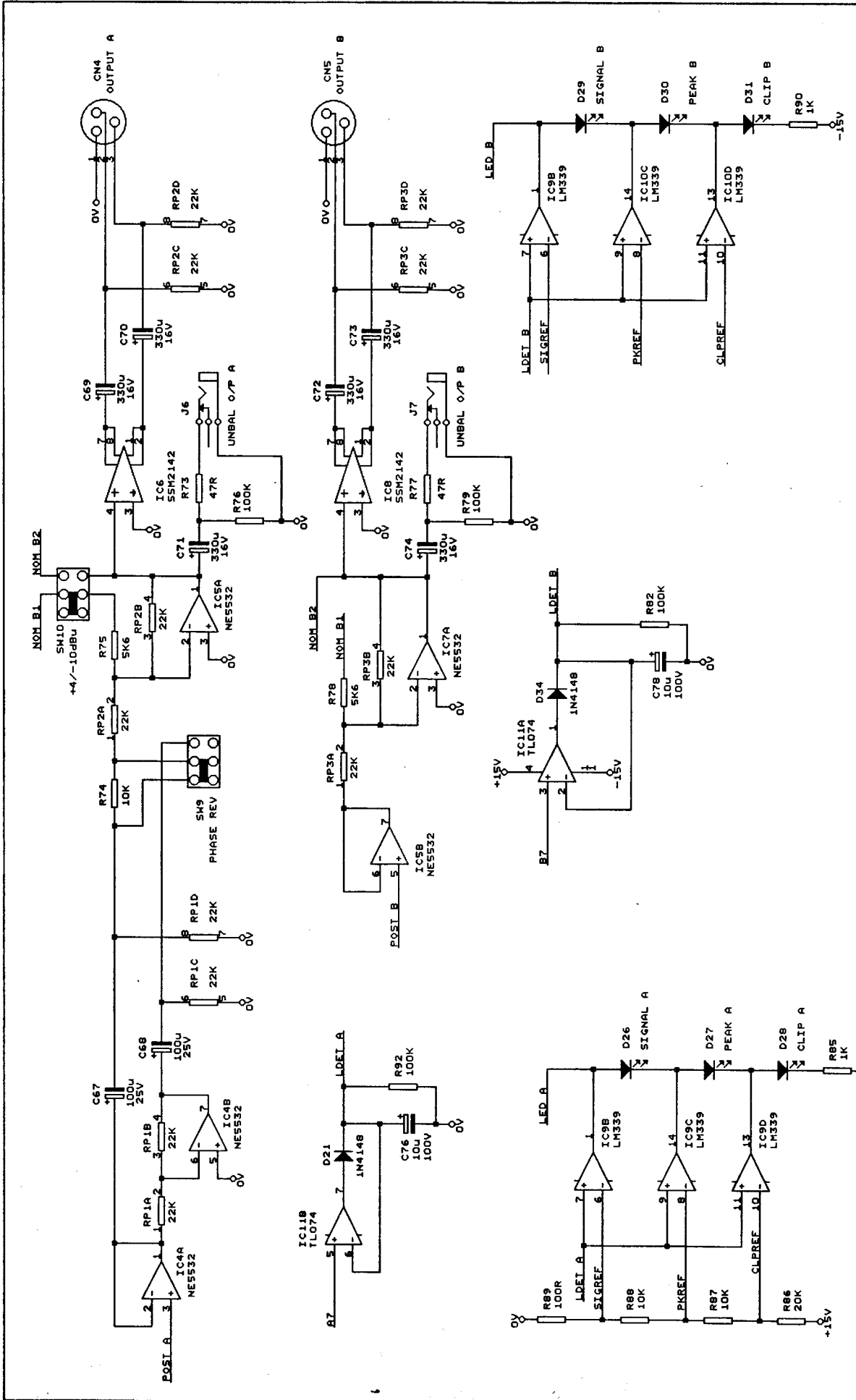
| | |
|-----------------------------|--------------|
| T L Audio | |
| COPYRIGHT 1994 | |
| Title PENTODE PRE-AMPLIFIER | |
| Size Document Number | REV |
| B CD1111 | 1 |
| Date: March 1, 1995 | Sheet 3 of 5 |

CIRCUITRY WITHIN DOTTED LINES IS LOCATED ON PC111A



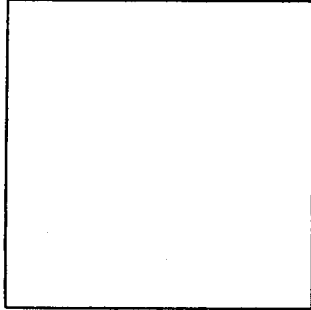
CIRCUITRY WITHIN DOTTED LINES IS LOCATED ON PC111B

| | |
|----------------------|-----------------------|
| Title | T L Audio |
| Copyright | 1994 |
| Size Document Number | PENTODE PRE-AMPLIFIER |
| REV | CD1111 |
| Date | March 1, 1995 |
| Sheet | 4 of 5 |

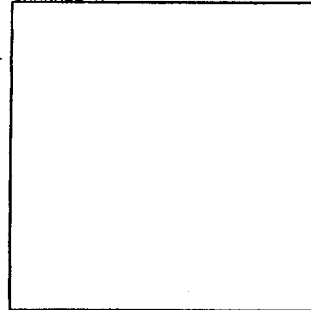


T L Audio
 COPYRIGHT 1994
 TITLE PENTODE PRE-AMPLIFIER
 Size Document Number CD1111
 B 1
 Date: March 1, 1995 Sheet 5 of 5

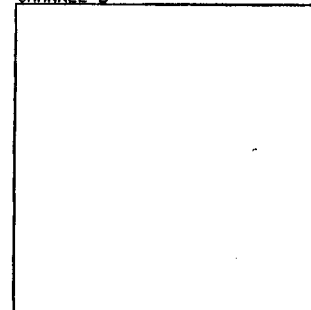
PSU



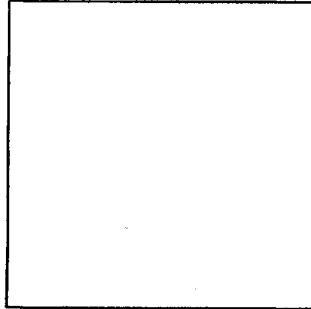
CHANNEL A



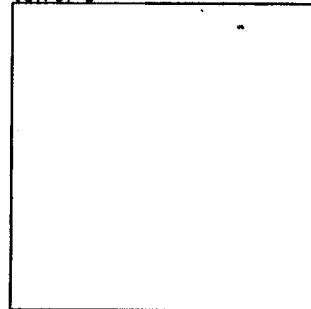
CHANNEL B



OUTPUT A



OUTPUT B



NOTES FOR QUALIFIED SERVICE ENGINEERS

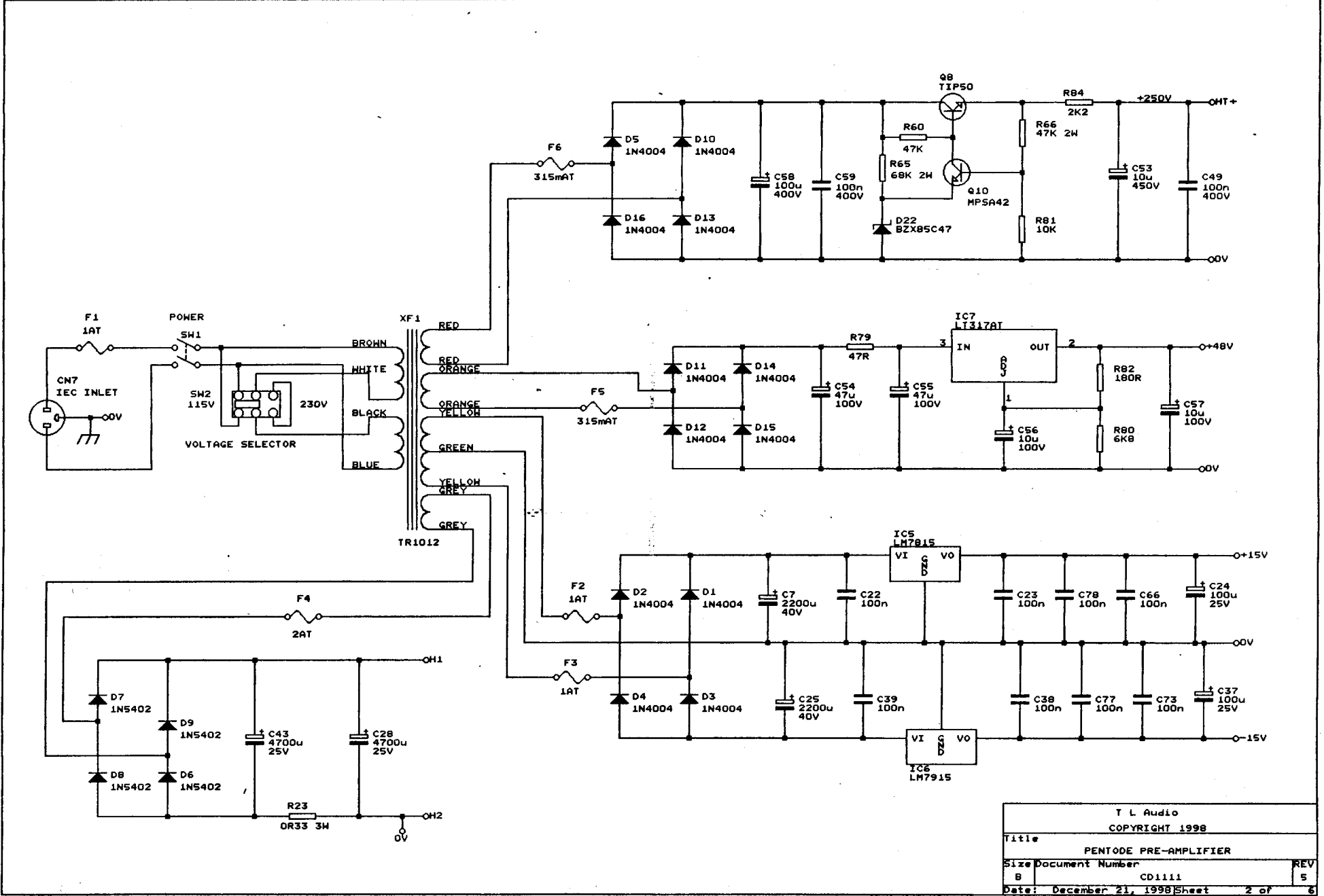
The following voltages exist within this unit under normal working circumstances: 230V (115V) AC Mains and 300V DC.
These voltages may take several minutes to decay after the unit is switched off.

CARE MUST BE TAKEN WHEN FAULT FINDING.

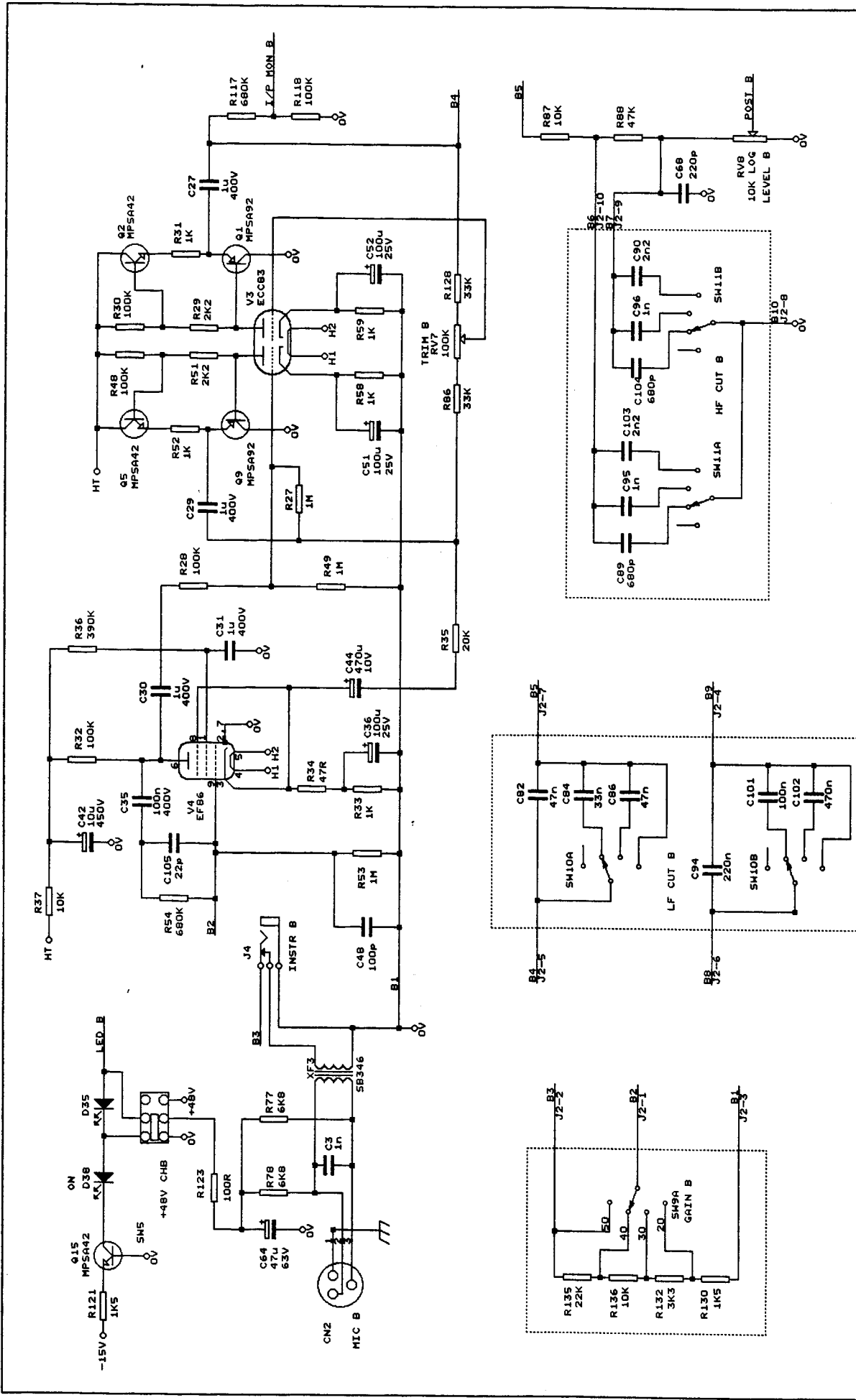
- DO NOT handle the PCB while the unit is connected to the Mains Supply.
- DO NOT use screws with different type or length than those currently fitted.
- DO NOT remove EARTH wires under any circumstances.
- REPLACE all covers removed during servicing.
- During reassembly DO NOT allow wires to be trapped.

IF IN DOUBT RETURN UNIT TO SUPPLIER.

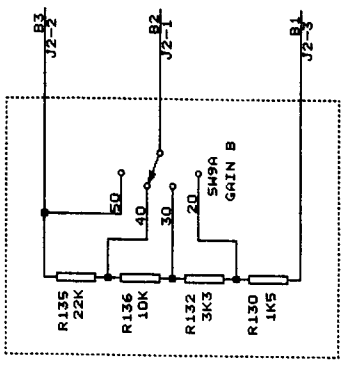
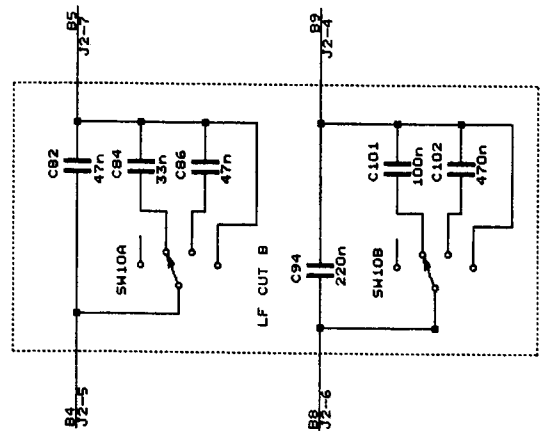
| | | |
|-----------------------------|--------|--------|
| TL Audio | | |
| COPYRIGHT 1998 | | |
| Title PENTODE PRE-AMPLIFIER | | |
| Size Document Number | | REV |
| B | CD1111 | 5 |
| Date: December 21, 1998 | Sheet | 1 of 6 |



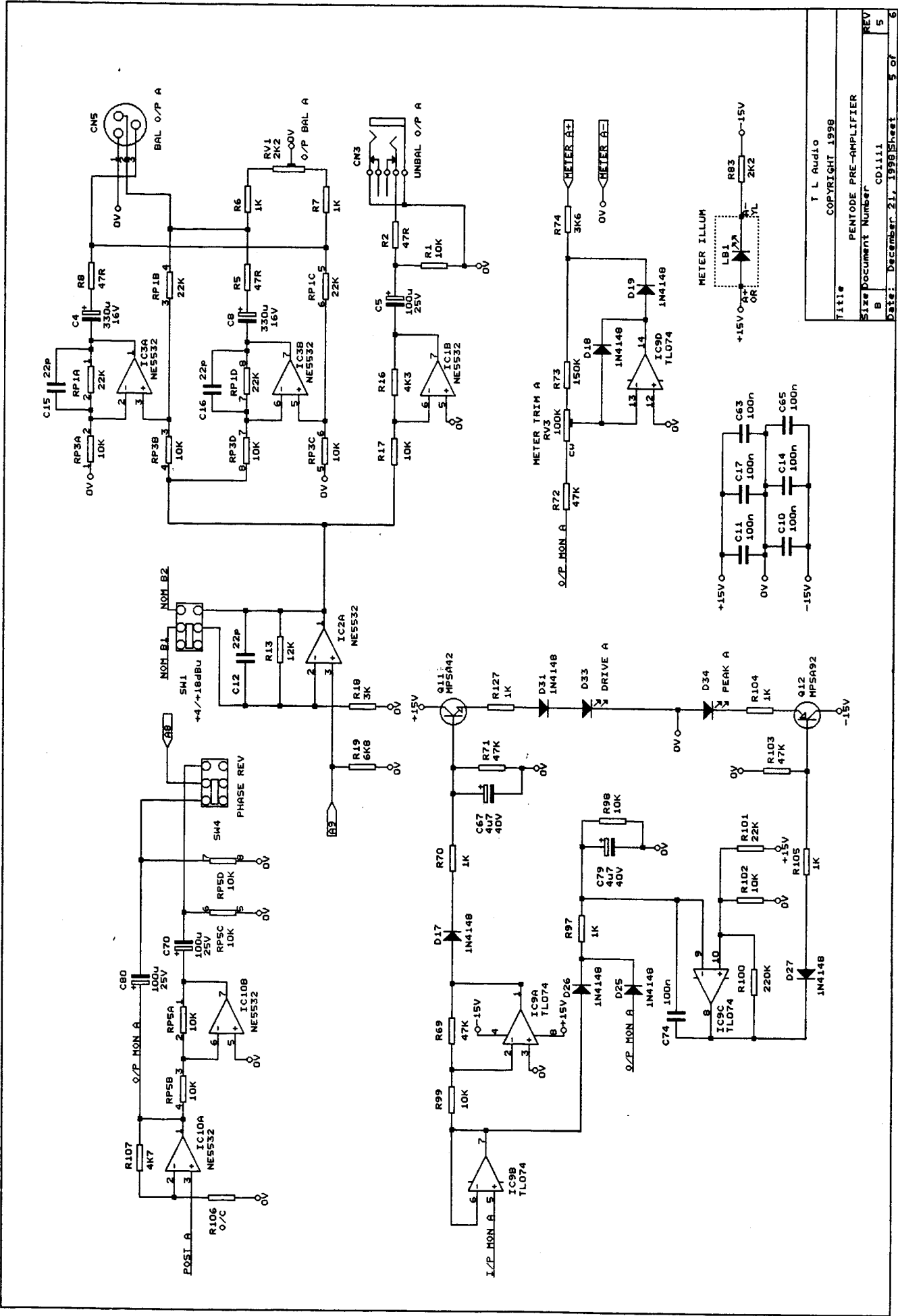
| | | |
|-----------------------|-------------------|--------------|
| T L Audio | | |
| COPYRIGHT 1998 | | |
| PENTODE PRE-AMPLIFIER | | |
| Title | | |
| Size | Document Number | REV |
| B | CD1111 | 5 |
| Date: | December 21, 1998 | Sheet 2 of 6 |



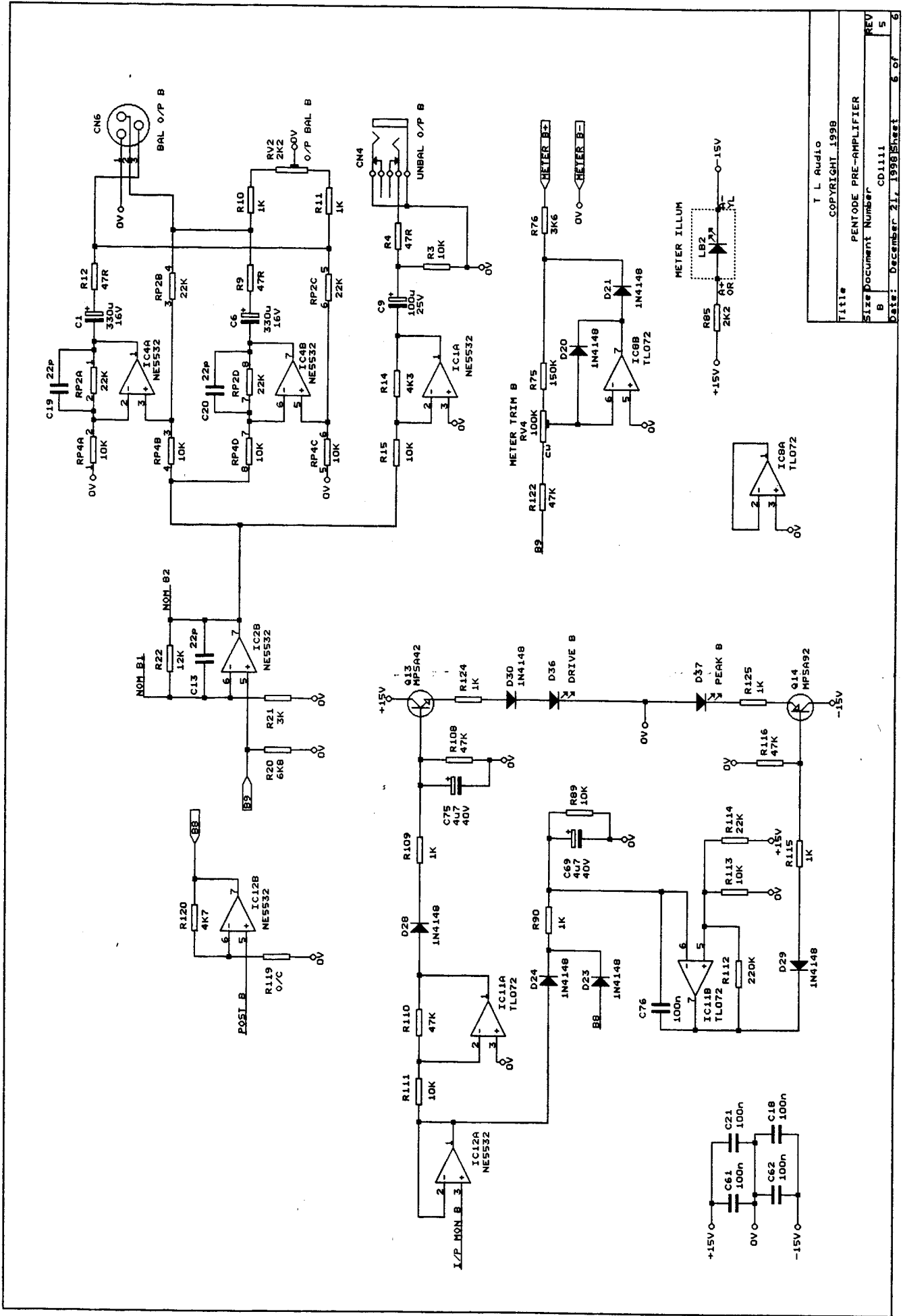
T L Audio
 COPYRIGHT 1998
 Title
 PENTODE PRE-AMPLIFIER
 Size Document Number
 CD1111
 REV
 5
 Date: December 21, 1998 Sheet 4 of 6



CIRCUITRY WITHIN DOTTED LINES IS LOCATED ON PC111B



T L Audio
 COPYRIGHT 1998
 Title PENTODE PRE-AMPLIFIER
 Size Document Number CD1111
 B REV 5
 Date: December 21, 1998 Sheet 5 of 6



T L Audio
 COPYRIGHT 1998
 Title PENTODE PRE-AMPLIFIER
 Size Document Number CD1111
 REV B 5
 Date: December 21, 1998 Sheet 6 of 6