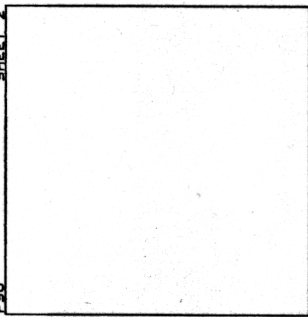
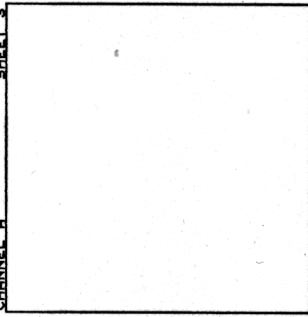


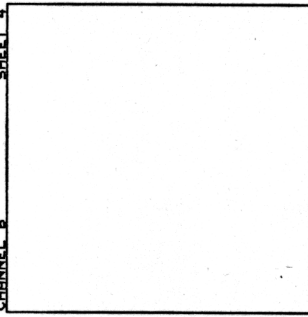
PSU SHEET 2



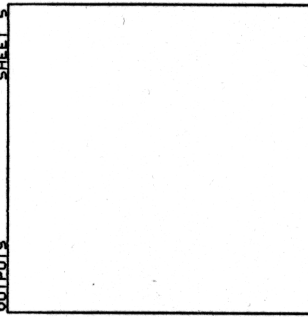
CHANNEL A SHEET 3



CHANNEL B SHEET 4



OUTPUTS SHEET 5

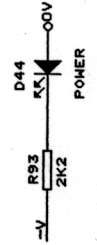
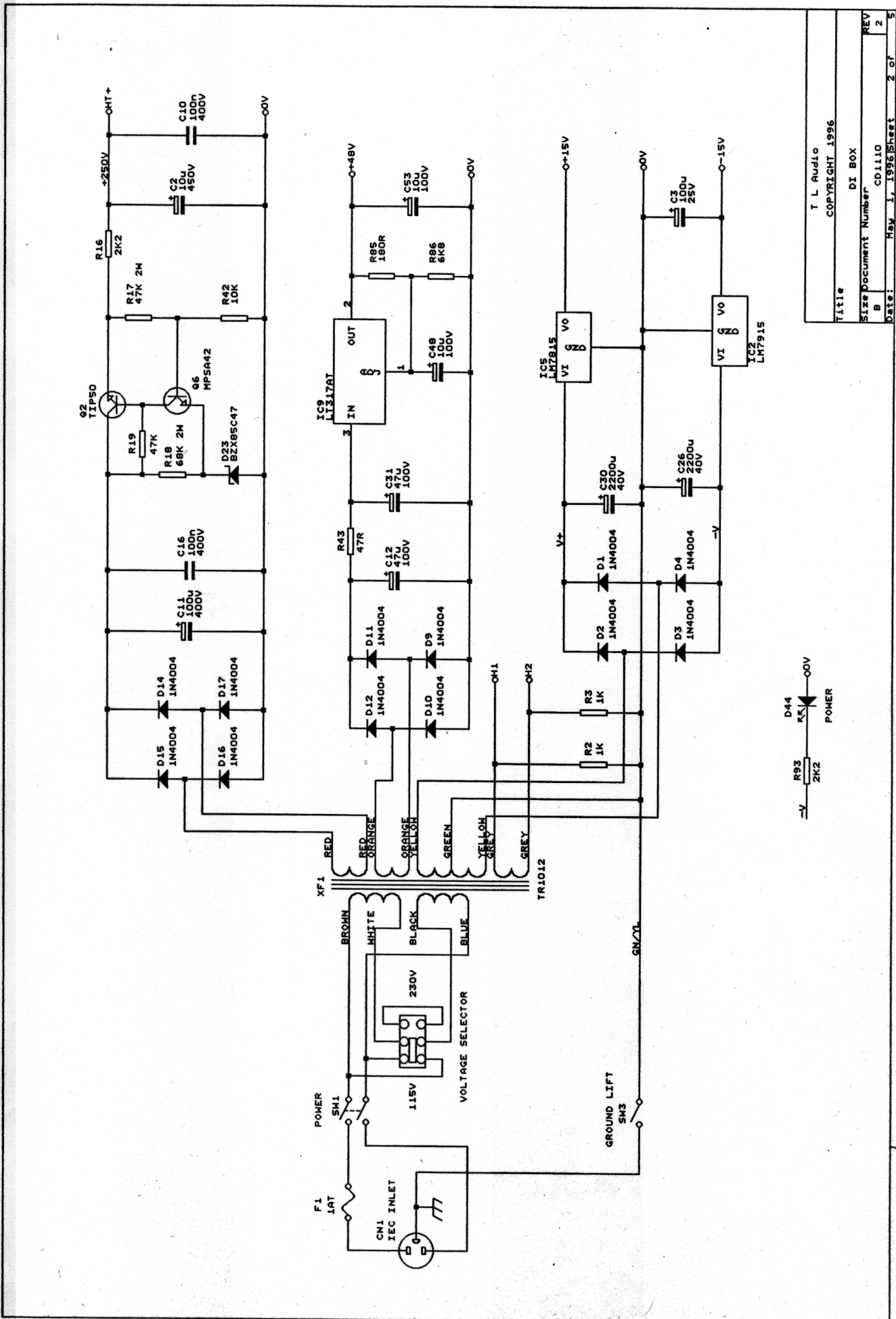


### PA2 SCHEMATICS

Serial No: 140211 onwards

**Applies to serial number  
140211 onwards**

TL Audio	
COPYRIGHT 1996	
Title	DI BOX
Size	CD1110
Document Number	REV 2
Date: February 16, 1996	Sheet 1 of 5



Title	T L Audio
Size	DI BOX
Document Number	CD110
REV	2
Date	May 1, 1996
Sheet	2 of 5

T L Audio  
 COPYRIGHT 1996

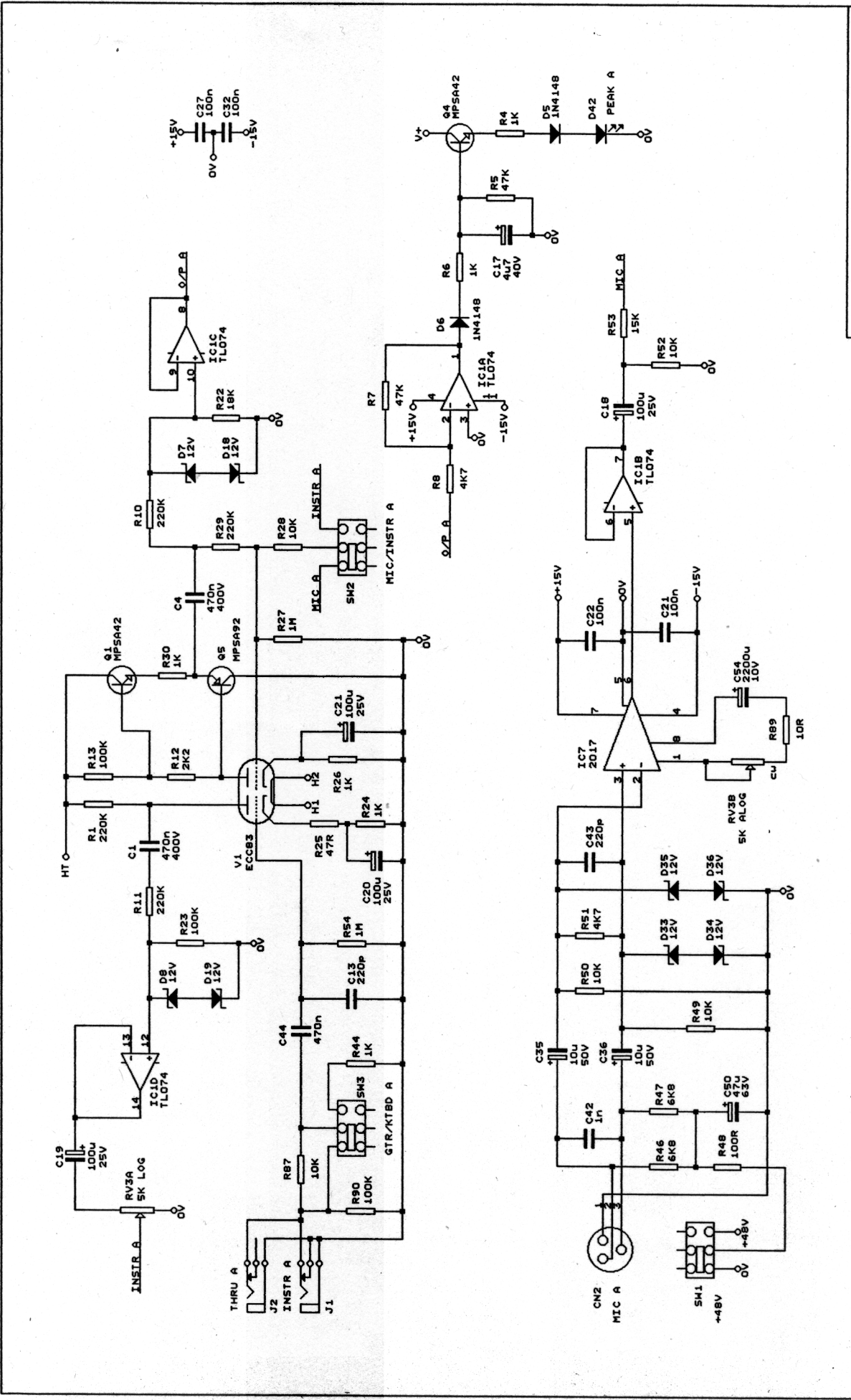
DI BOX

CD110

REV 2

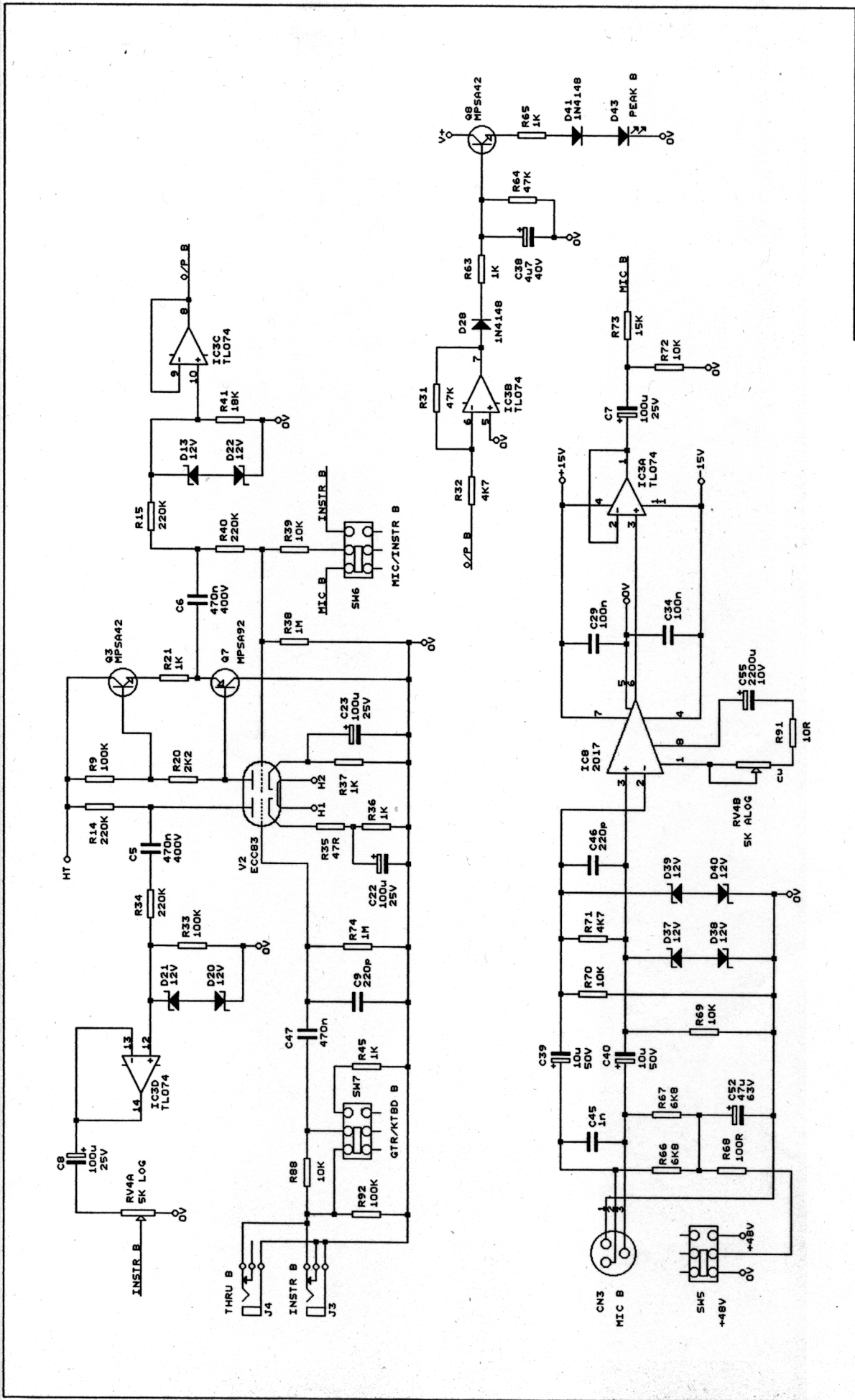
Date: May 1, 1996

Sheet 2 of 5



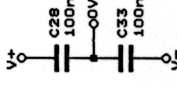
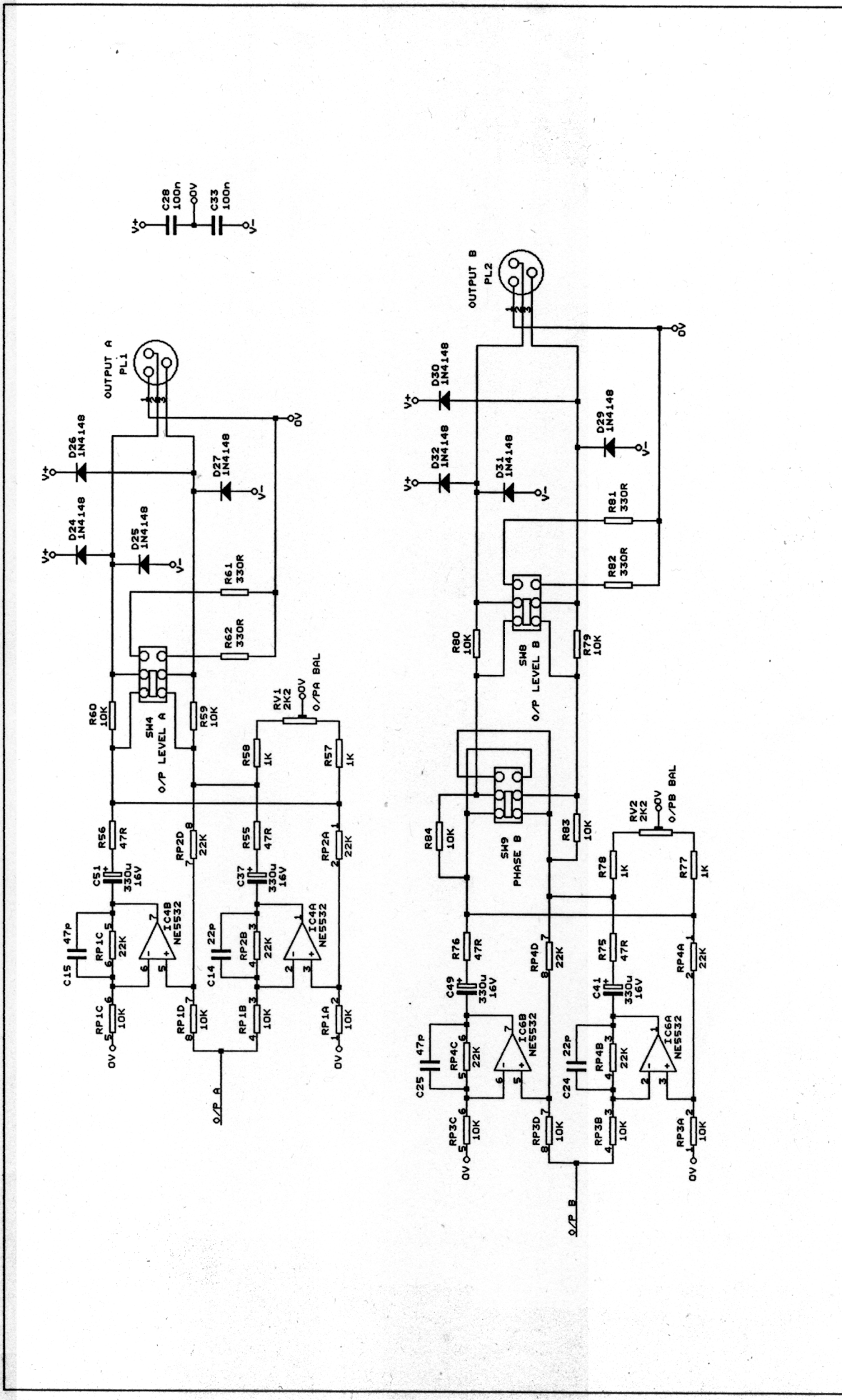
Title		T L Audio	
DI BOX		COPYRIGHT 1996	
Size Document Number	CD110	REV	2
Date:	March 25, 1995	Sheet	3 of 5





T L Audio	
COPYRIGHT 1996	
Title	DI BOX
Size Document Number	CD1110
REV	2
Date:	March 25, 1996 Sheet 4 of 5





Title	TL Audio
Size Document	DI BOX
Number	CD1110
REV	2
Date	February 15, 1996
Sheet	5 of 5