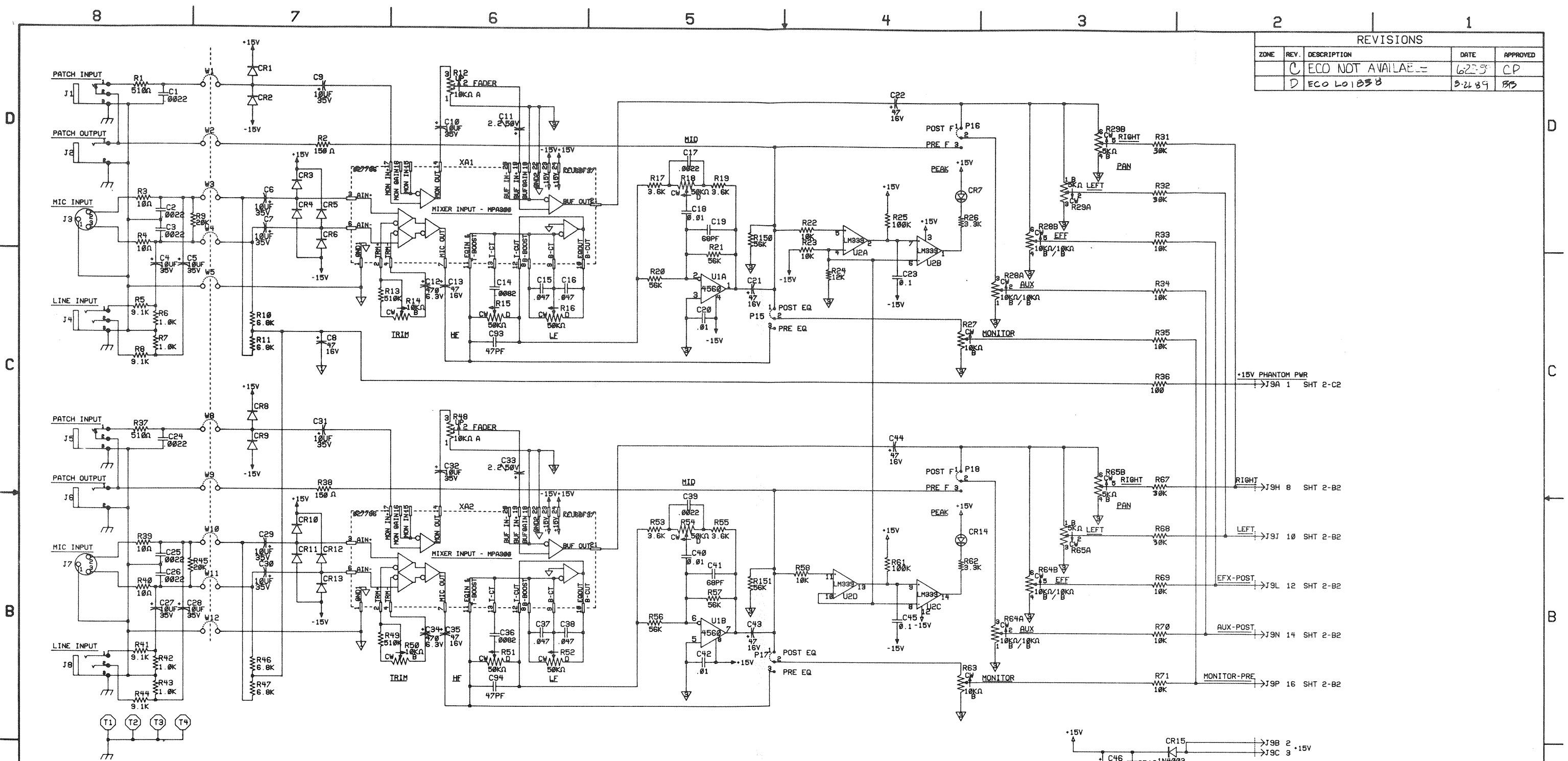
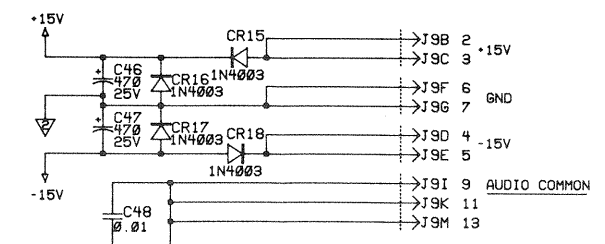


REVISIONS				
ZONE	REV.	DESCRIPTION	DATE	APPROVED
	C	ECO NOT AVAILAE ==	6-23-89	CP
	D	ECO LOI 89 B	8-24-89	BS



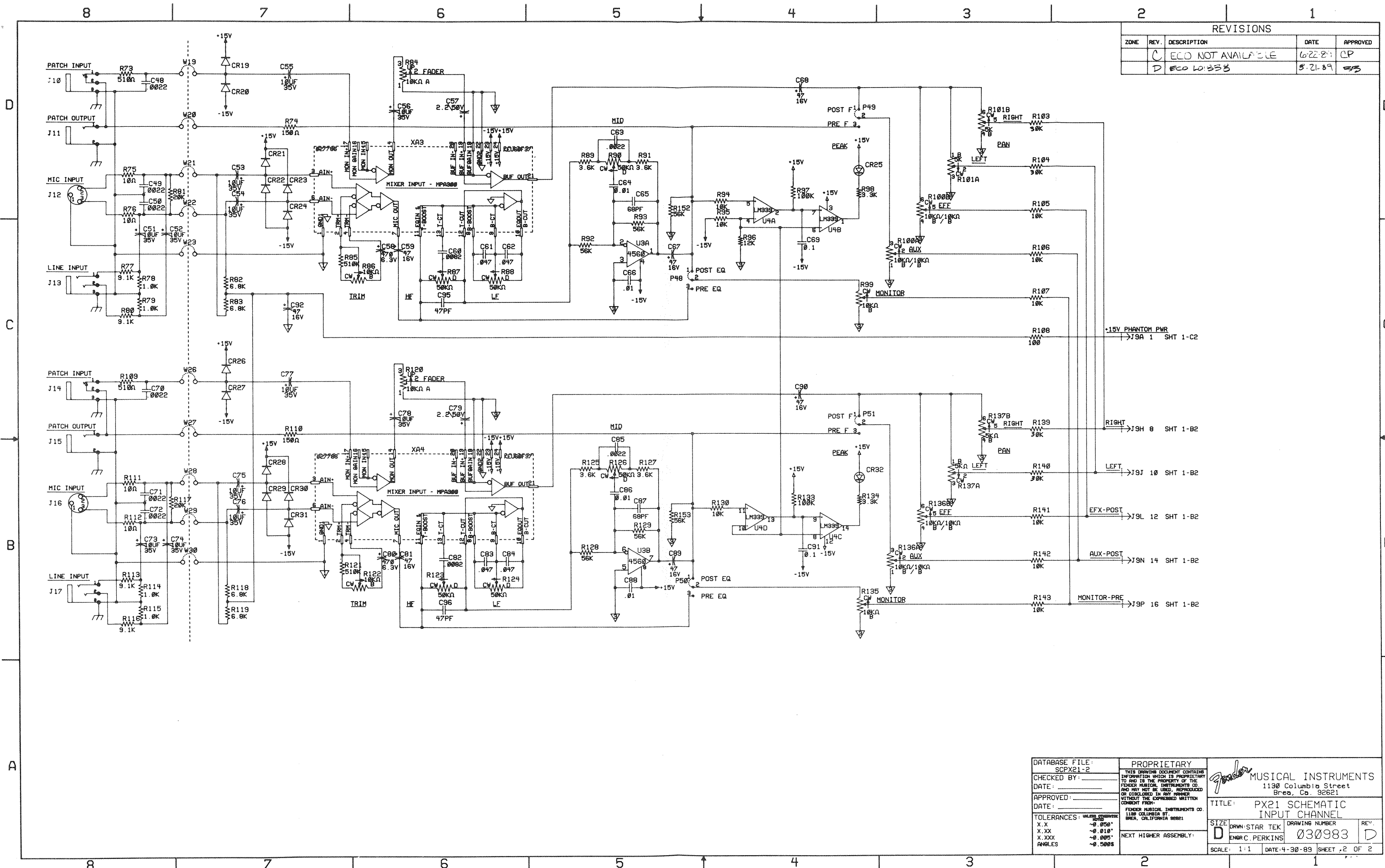
- NOTES: (U.O.S.)
1. ALL RESISTORS ARE IN OHMS 1/4W 5%.
  2. CAPACITORS ARE IN UF.
  3. ALL DIODES ARE 1N4448.

DESIGNATORS			
UNUSED	LAST USED	UNUSED	LAST USED
C	-	C96	S
CR	-	CR32	T
J	-	J17	U
L	-	-	VR
Q	-	-	W
P1-14, 19-47	P51	Y	-
R198, 146-149	R153	XA	-
		XA4	-



DATABASE FILE: SCPX21-1 CHECKED BY: APPROVED: DATE: TOLERANCES: (VALUES IN PARENTHESES) X.X ~0.050" X.XX ~0.018" X.XXX ~0.005" ANGLES ~0.500°	<b>PROPRIETARY</b> THIS DRAWING DOCUMENT CONTAINS INFORMATION WHICH IS PROPRIETARY TO AND IS THE PROPERTY OF THE FENDER MUSICAL INSTRUMENTS CO. AND MAY NOT BE USED, REPRODUCED OR DISCLOSED IN ANY MANNER WITHOUT THE EXPRESSED WRITTEN CONSENT FROM: FENDER MUSICAL INSTRUMENTS CO. 1130 COLUMBIA ST. BRECA, CALIFORNIA 92621	<b>Fender</b> MUSICAL INSTRUMENTS 1130 Columbia Street Brea, Ca. 92621 TITLE: PX21 SCHEMATIC INPUT CHANNEL SIZE: DRAWN: STAR TEK ENGR: C. PERKINS SCALE: 1:1 DATE: 4-29-89 SHEET 1 OF 2
--	---	---

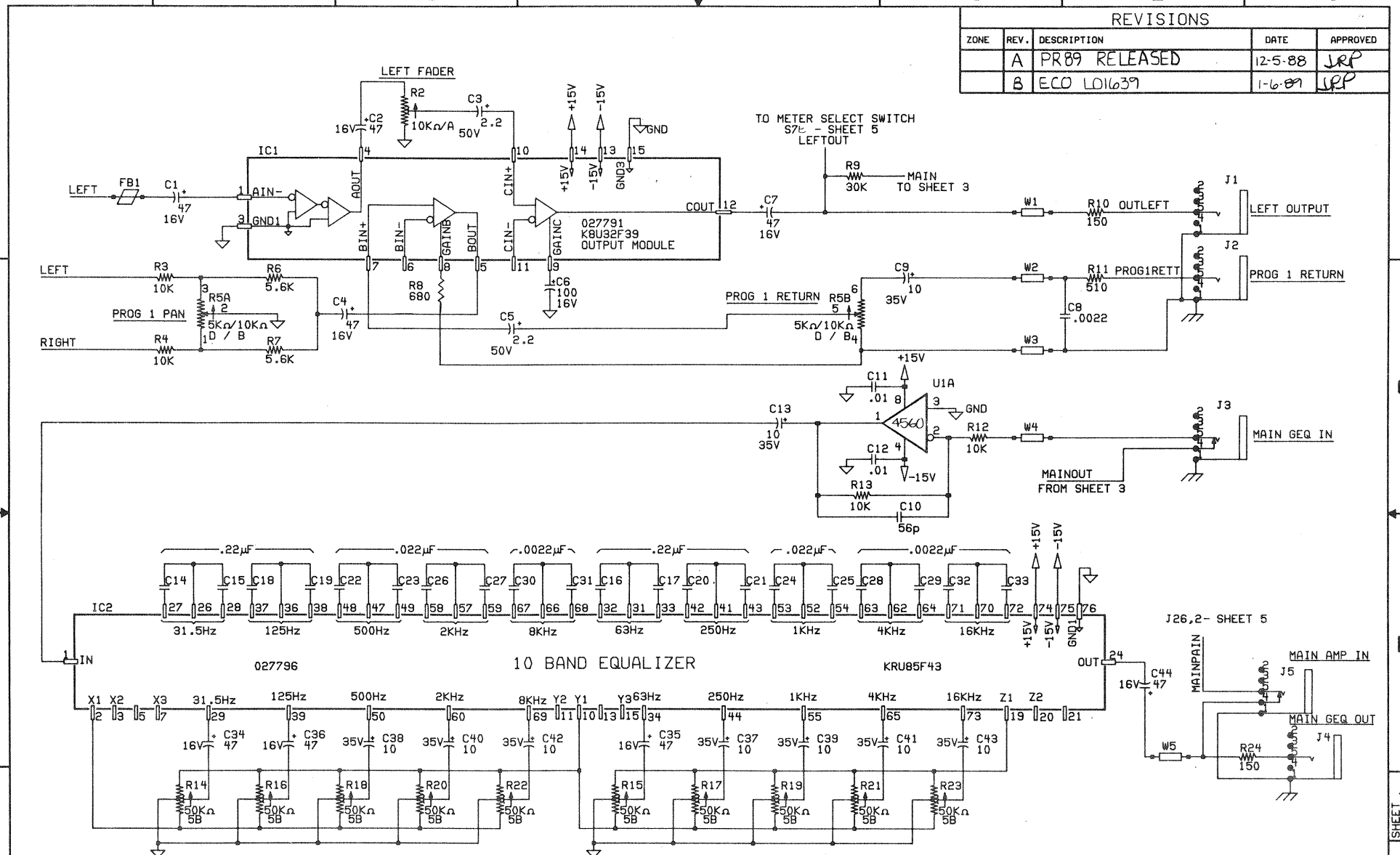
003182307



REVISIONS				
ZONE	REV.	DESCRIPTION	DATE	APPROVED
	C	ECO NOT AVAILABLE	6-22-89	CP
	D	ECO L0:333	8-21-89	ES

DATABASE FILE: SCPX21-2 CHECKED BY: DATE: APPROVED: DATE: TOLERANCES: UNLESS OTHERWISE SPECIFIED X.X ~0.050" X.XX ~0.010" X.XXX ~0.005" ANGLES ~0.500S	PROPRIETARY THIS DRAWING DOCUMENT CONTAINS INFORMATION WHICH IS PROPRIETARY TO AND IS THE PROPERTY OF THE FENDER MUSICAL INSTRUMENTS CO. AND MAY NOT BE USED, REPRODUCED OR DISCLOSED IN ANY MANNER WITHOUT THE EXPRESSED WRITTEN CONSENT FROM: FENDER MUSICAL INSTRUMENTS CO. 118 COLUMBIA ST. BREA, CALIFORNIA 92621	FENDER MUSICAL INSTRUMENTS CO. 1130 Columbia Street Brea, Ca. 92621 TITLE: PX21 SCHEMATIC INPUT CHANNEL SIZE: D DRAWN: STAR TEK ENGR: C. PERKINS DRAWING NUMBER: 030983 REV: D SCALE: 1:1 DATE: 4-30-89 SHEET: 2 OF 2
--	--	--

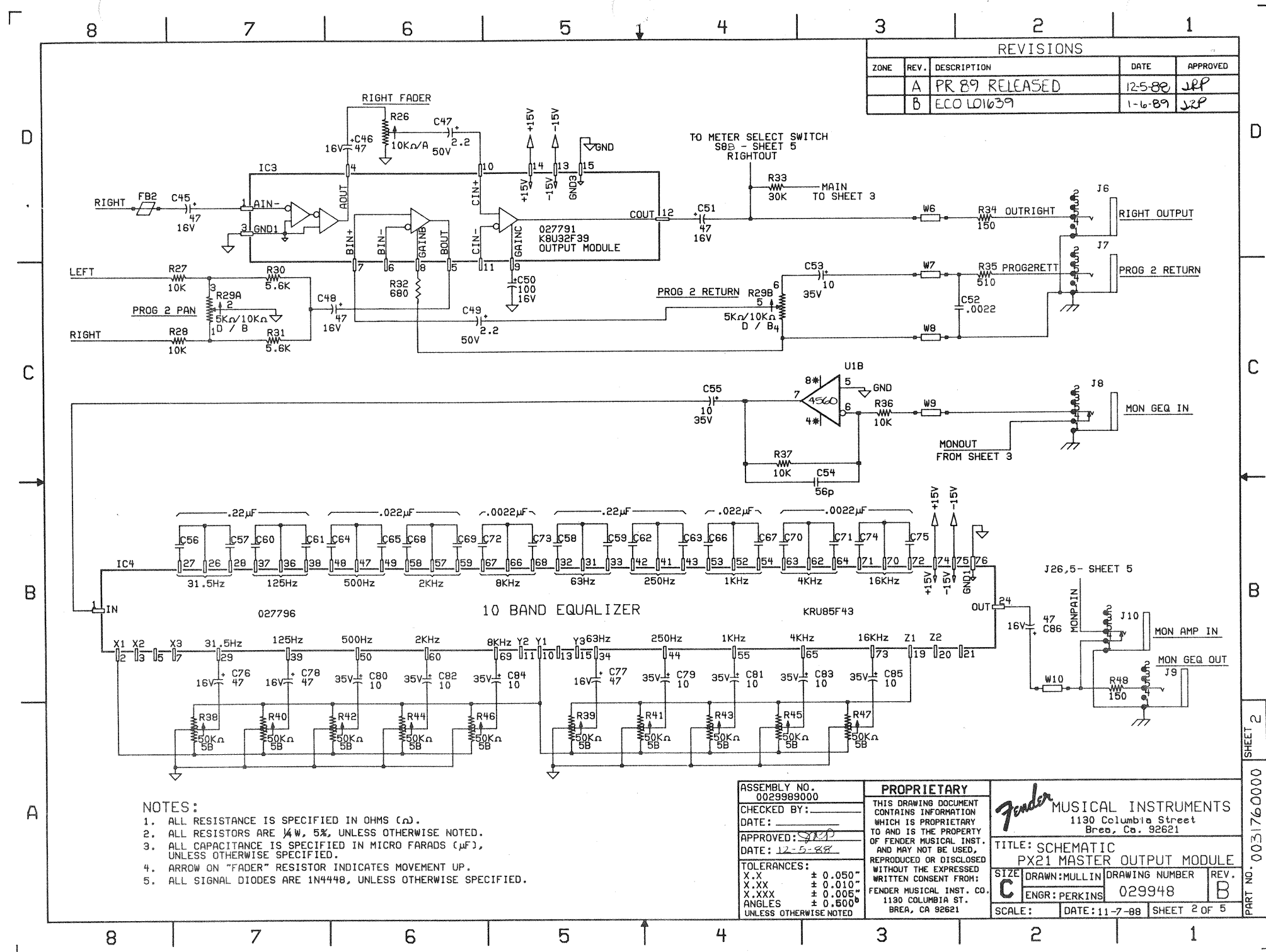
REVISIONS				
ZONE	REV.	DESCRIPTION	DATE	APPROVED
	A	PR89 RELEASED	12-5-88	JRP
	B	ECO LD1639	1-6-89	JRP



- NOTES:
1. ALL RESISTANCE IS SPECIFIED IN OHMS ( $\Omega$ ).
  2. ALL RESISTORS ARE  $\frac{1}{4}$  W, 5%, UNLESS OTHERWISE NOTED.
  3. ALL CAPACITANCE IS SPECIFIED IN MICRO FARADS ( $\mu$ F), UNLESS OTHERWISE SPECIFIED.
  4. ARROW ON "FADER" RESISTOR INDICATES MOVEMENT UP.
  5. ALL SIGNAL DIODES ARE 1N4448, UNLESS OTHERWISE SPECIFIED.

ASSEMBLY NO. 0029989000	PROPRIETARY	<b>MUSICAL INSTRUMENTS</b> 1130 Columbia Street Brea, Ca. 92621
CHECKED BY:	THIS DRAWING DOCUMENT CONTAINS INFORMATION WHICH IS PROPRIETARY TO AND IS THE PROPERTY OF FENDER MUSICAL INST. AND MAY NOT BE USED, REPRODUCED OR DISCLOSED WITHOUT THE EXPRESSED WRITTEN CONSENT FROM:	
DATE:	FENDER MUSICAL INST. CO. 1130 COLUMBIA ST. BREA, CA 92621	TITLE: SCHEMATIC PX21 MASTER OUTPUT MODULE
APPROVED: JRP		SIZE: C
DATE: 12-5-88		DRAWN: MULLIN
TOLERANCES:		DRAWING NUMBER: 029948
X.X ± 0.050"		ENGR: PERKINS
X.XX ± 0.010"		DATE: 11-7-88
X.XXX ± 0.005"		SHEET 1 OF 5
ANGLES ± 0.500°		
UNLESS OTHERWISE NOTED		

PART NO. 0031760000 SHEET 1

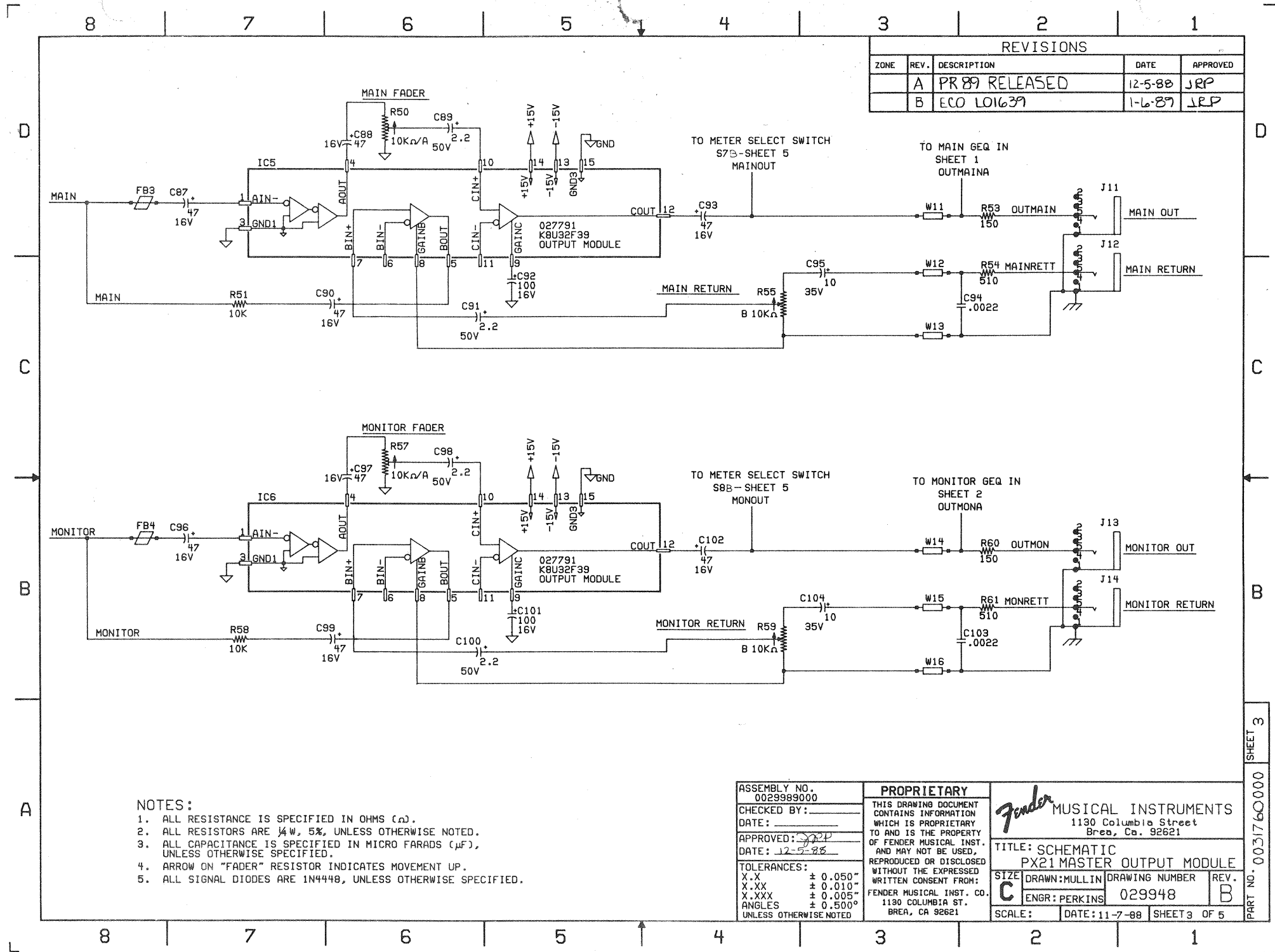


REVISIONS				
ZONE	REV.	DESCRIPTION	DATE	APPROVED
	A	PR 89 RELEASED	12-5-88	JLP
	B	ECO LO1639	1-6-89	JLP

- NOTES:
1. ALL RESISTANCE IS SPECIFIED IN OHMS ( $\Omega$ ).
  2. ALL RESISTORS ARE  $\frac{1}{4}$ W, 5%, UNLESS OTHERWISE NOTED.
  3. ALL CAPACITANCE IS SPECIFIED IN MICRO FARADS ( $\mu$ F), UNLESS OTHERWISE SPECIFIED.
  4. ARROW ON "FADER" RESISTOR INDICATES MOVEMENT UP.
  5. ALL SIGNAL DIODES ARE 1N4448, UNLESS OTHERWISE SPECIFIED.

ASSEMBLY NO. 0029989000	<b>PROPRIETARY</b> THIS DRAWING DOCUMENT CONTAINS INFORMATION WHICH IS PROPRIETARY TO AND IS THE PROPERTY OF FENDER MUSICAL INST. AND MAY NOT BE USED, REPRODUCED OR DISCLOSED WITHOUT THE EXPRESSED WRITTEN CONSENT FROM: FENDER MUSICAL INST. CO. 1130 COLUMBIA ST., BREA, CA 92621	<b>Fender</b> MUSICAL INSTRUMENTS 1130 Columbia Street Brea, Ca. 92621
CHECKED BY: _____	DATE: _____	TITLE: SCHEMATIC PX21 MASTER OUTPUT MODULE
APPROVED: <i>JLP</i>	DATE: 12-5-88	SIZE: <b>C</b> DRAWN: MULLIN DRAWING NUMBER: 029948 REV. <b>B</b>
TOLERANCES: X.X ± 0.050" X.XX ± 0.010" X.XXX ± 0.005" ANGLES ± 0.500° UNLESS OTHERWISE NOTED	SCALE: _____	DATE: 11-7-88 SHEET 2 OF 5

PART NO. 0031760000 SHEET 2



REVISIONS				
ZONE	REV.	DESCRIPTION	DATE	APPROVED
	A	PR 89 RELEASED	12-5-88	JRP
	B	ECO L01639	1-6-89	JRP

- NOTES:
1. ALL RESISTANCE IS SPECIFIED IN OHMS ( $\Omega$ ).
  2. ALL RESISTORS ARE  $\frac{1}{4}$ W, 5%, UNLESS OTHERWISE NOTED.
  3. ALL CAPACITANCE IS SPECIFIED IN MICRO FARADS ( $\mu$ F), UNLESS OTHERWISE SPECIFIED.
  4. ARROW ON "FADER" RESISTOR INDICATES MOVEMENT UP.
  5. ALL SIGNAL DIODES ARE 1N4448, UNLESS OTHERWISE SPECIFIED.

ASSEMBLY NO. 0029989000	<b>PROPRIETARY</b>	<b>MUSICAL INSTRUMENTS</b> 1130 Columbia Street Brea, Ca. 92621
CHECKED BY: _____	THIS DRAWING DOCUMENT CONTAINS INFORMATION WHICH IS PROPRIETARY TO AND IS THE PROPERTY OF FENDER MUSICAL INST. AND MAY NOT BE USED, REPRODUCED OR DISCLOSED WITHOUT THE EXPRESSED WRITTEN CONSENT FROM: FENDER MUSICAL INST. CO. 1130 COLUMBIA ST. BREA, CA 92621	
DATE: _____		TITLE: SCHEMATIC
APPROVED: <i>JRP</i>		SIZE: C
DATE: 12-5-88		DRAWN: MULLIN
TOLERANCES:		DRAWING NUMBER: 029948
X.X ± 0.050"		ENGR: PERKINS
X.XX ± 0.010"		DATE: 11-7-88
X.XXX ± 0.005"		SHEET 3 OF 5
ANGLES ± 0.500°		
UNLESS OTHERWISE NOTED		

PART NO. 0031760000 SHEET 3