



PASSPORT® PD-150 PLUS

(This is the model name for warranty claims)

p/n 069-3005-000

SERVICE MANUAL



ATTENTION:

WARRANTY SERVICE PROCEDURES

Warranty field service of the Passport PD-150 Plus will be limited to replacement of defective PCB Assemblies and all other parts **not** marked as “REF” in the Parts List. **Non-Warranty** repairs can of course be to the component level at the Service Center’s discretion. For **non-warranty** component level repairs all parts listed as “REF” in the Parts List must be sourced from suppliers other than FMIC.



PASSPORT[®] PD-150 PLUS

(This is the model name for warranty claims)

February, 2007

IMPORTANT NOTICE

• Copyright © 2007 FMIC. All rights reserved. All information contained herein is CONFIDENTIAL and PROPRIETARY and is the property of Fender[®] Musical Instruments Corporation. It is not to be sold or assigned to another party and is disclosed solely for use by Fender Authorized Service Centers for purposes of product service and maintenance. All information is not to be disclosed to others without the expressed permission of Fender[®] Musical Instruments Corporation. All

specifications are subject to change without notice. This information and any copies produced electronically or otherwise must be surrendered upon demand of Fender[®] Musical Instruments Corporation.

• Parts marked with two asterisks (**) indicate the required use of that specific part. This is necessary for RELIABILITY and SAFETY requirements. **DO NOT USE A SUBSTITUTE!**

PARTS LIST CODES

The description codes used in the itemized Parts Lists are defined below:

CAPACITOR CODES

CAP AE = Aluminum Electrolytic
CAP CA = Ceramic Axial
CAP CD = Ceramic Disk
CAP CR = Ceramic Radial
CAP MPF = Metalized Polyester Film
CAP MY = Mylar
CAP PFF = Polyester Film/Foil

RESISTOR CODES

RES CC = Carbon Comp
RES CF = Carbon Film
RES FP = Flame Proof
RES MF = Metal Film
RES MOX = Metal Oxide
RES WW = Wire Wound

HARDWARE CODES

BLX = Black Oxide
CR = Chrome Plated
HWH = Hex Washer Head
M = Machine Screw
NI = Nickel Plated
OHP = Oval Head Phillips
PB = Particle Board
PHP = Pan Head Phillips
PHPS = Pan Head Phillips Sems
SMA = Sheet Metal "A" Point
SMB = Sheet Metal "B" Point
SS = Stainless Steel
TF = Thread Forming
ZI = Zinc Plated



PASSPORT[®] PD-150 PLUS

3

(This is the model name for warranty claims)

SPECIFICATIONS

Model Name:	PASSPORT PD-150 PLUS
Release Number:	PR688
Part Number:	(120V, 60Hz) US: 069-3005-000 (120V, 60 Hz) DS: 069-3005-900 (240V, 50 Hz) AUS: 069-3005-930 (230V, 50 Hz) UK: 069-3005-940 (230V, 50 Hz) EUR: 069-3005-960 (100V, 50 Hz) JPN: 069-3005-970
Frequency Response:	50 Hz to 20 kHz \pm 1 dB (at speaker output) 30 Hz to 20 kHz \pm 1 dB (at send output)
Distortion:	< 0.5%, 20 Hz to 20 kHz (at speaker output) < 0.1%, 20 Hz to 20 kHz (at send output)
Signal to Noise Ratio:	> 90 dB, "A" WTD
Power Output:	150W (75W/ch @ 8 Ω per channel)
Input Impedance:	(Channels 1-2 XLR and 1/4") "Mic" switch position: 2 k Ω "Line" switch position: 66 k Ω (Phono and Stereo Channel 1/4") 78 k Ω
Max. Input Level:	Mic: -11 dBu Line: 20 dBu Stereo: 26 dBu
Return Input Impedance:	47k Ω
Fuse type:	T3.15AL, 250V
Passport System:	Width: 610 mm (24 in.) Height: 541 mm (18 in.) Depth: 254 mm (10 in.) Weight: 14.97 kgs (33 lbs)
Speakers:	Width: 245 mm (9.65 in.) Height: 439 mm (17.5 in.) Depth: 241 mm (9.5 in.) Weight: 4.08 kgs (9.0 lbs)
Power Tower:	Width: 245 mm (9.65 in.) Height: 451 mm (18 in.) Depth: 178 mm (7 in.) Weight: 6.80 kgs (15.00 lbs)
Tower Footprint:	241 x 298 mm (9.5 x 11.75 in.)
Microphone:	Dynamic Cardioid, balanced
Microphone Cable:	XL -Male to XL-Female, 6 m (20 feet)
Speaker Cables:	1/4 in. to 1/4 in., 9 m (27 feet)

0 dBu is referenced to 0.775 volts rms

Product specifications are subject to change without notice



SERVICE NOTES

The following describes the procedure to dismantle the PD-150+ Cabinets.

STEP A: PD-150+ CABINET

- A1. Unscrew two M4 machine screws on each of the left and right hatches on either side of the unit (8 total).
- A2. Unscrew two M3 pan-head machine screws on the handle cover and detach it.
- A3. Place the unit upside down. Unscrew eight M4 self-tapping screws off the foot standers.
- A4. Detach the foot standers. There are six M3 self-tapping screws in the middle portion.
- A5. Unscrew three M3 self-tapping screws located on the right-hand-side.
- A6. Place the unit in the normal position.
- A7. Locate the four M3 and two M4 self-tapping screws on the top and unscrew them.
- A8. Separate the left and right cabinets.
- A9. Locate the UHF and VHF antennas on the right and left cabinets respectively.
- A10. De-solder both antennas.
- A11. Unscrew three M3 self-tapping screws on left and right side panels (6 total) of the tower metal assembly.
- A12. Unscrew eight M2.6 and six (three on top of front panel, three on top of rear panel) M3 self-tapping screws.
- A13. Detach the left and right metal side panels.
- A14. Detach the 8-pin antenna connector.
- A15. Detach the top metal cover.
- A16. Unscrew seven outer M3 self-tapping screws on the rear panel.
- A17. Detach all connectors.
- A18. The procedure is completed.

STEP B: PD150+ MIXER PCB

- B1. Detach 24 knobs and their nuts.
- B2. Detach the Reverb PCB assembly.

- B3. Unscrew nine M3 machine screws from the mixer PCB assembly.
- B4. Detach all connectors.
- B5. The procedure is completed.

STEP C: PD150+ DSP REVERB PCB

- C1. Detach all connectors.
- C2. The procedure is completed.

STEP D: PD150+ INPUT PCB

- D1. Unscrew six screws and nuts from the front panel.
- D2. Detach all connectors.
- D3. The procedure is completed.

STEP E: PD150+ DAMP PCB

- E1. Unscrew four screws from the PD150+ DAMP PCB.
- E2. De-solder four wires connecting to Output PCB assembly.
- E3. The procedure is completed.

STEP F: PD150+ SMPS PCB

- F1. Unscrew three screws from the front panel.
- F2. Unscrew two screws at the back of the CD mechanism.
- F3. Detach all wiring and connectors.
- F4. Unscrew six screws from the top cabinet of the SMPS.
- F5. Unscrew three screws from the bottom cabinets of the SMPS.
- F6. Detach the spacer from the wiring of the SMPS.
- F7. Unscrew the earthing M4 nut.
- F8. Detach the mains connector from the AC inlet.
- F9. Unscrew five screws from the SMPS PCB assembly.
- F10. The procedure is completed.



PASSPORT[®] PD-150 PLUS

(This is the model name for warranty claims)

STEP G: PD150+ LCD KEY PCB

- G1. Unscrew six screws from the LCD KEY PCB.
- G2. Detach all connectors.
- G3. The procedure is completed.

STEP H: PD150+ CD SERVO PCB

- H1. First complete STEP D.
- H2. Unscrew three screws from the SMPS at the front panel.
- H3. Unscrew two screws from the CD mechanism at the back.

- H4. Detach all wiring from the SMPS cabinet.
- H5. Unscrew four M2 machine screws from the CD SERVO PCB assembly
- H6. Detach/De-solder all wiring and connectors from the CD SERVO PCB assembly.
- H7. The procedure is completed.

STEP I: Output Jack PCB

- I1. Remove the two M9 nuts and washers on the Output Jack PCB assembly.
-



PCB EXCHANGE POLICY

Parts marked with a single asterisk (*) in the Part Lists are not field replaceable. If a failure due to one of these components is detected, please

contact the FMIC Customer Service Department to order the complete PCB Assembly.

CIRCUIT DESCRIPTION

This section provides concise information about new or unusual circuitry designs incorporated into this amplifier model. The purpose is to aid the service technician by providing insight into the design areas most likely to become obstacles in troubleshooting. Information is focused for its effective use while maintaining the security of Fender® proprietary information wherever possible.

The PD-150+ consists of the following modules:

1. The SMPS PCB module
2. The CD servo PCB module (common with PD-250+)
3. LCD Key PCB module
4. The input PCB module
5. The mixer PCB module
6. The class-D amplifier PCB module
7. The DSP Reverb PCB module (common with PD-250+)

The SMPS PCB Module

The SMPS PCB module accepts AC mains voltage from 90Vr.m.s. ~ 264Vr.m.s. and provides the following output voltages to power the PD-150+ for various functions:

1. +42.5V DC for the class-D amplifier PCB assembly
2. +15/-15VDC for the input PCB assembly
3. +12VDC for the fan
4. +8VDC for the wireless microphone
5. +8VDC for the CD servo mechanism and PCB assembly
6. +5VDC for the DSP Reverb PCB assembly

U1 (ML4824-1) is the PWM controller which switches at a frequency of about 64 KHz. It also has the function of power factor correction. U1 switches Q1 on and off according to the load condition. Q1 in turn drives transformer T1 which independently supplies +42.5VDC power to the class-D amplifier PCB assembly. The bridge rectifier BD2 rectifies the AC input separately from LF2 and feeds the DC to U2 (TOP249Y). U2 in turn switches and drives T4 directly. T4 then provides the rest of the power rails for items 2 to 6 mentioned above. The fan will engage when a temperature of about 40 degrees C is reached by RT2, and will run at full speed when a temperature above 50 degrees C is attained.

The CD Servo PCB Module

The CD Servo PCB module consists of the following IC's:

1. IC401 (TC94A58FA-006) - CD servo DSP
2. IC402 (TA2157F) - Digital Servo Head Amplifier
3. IC403 (MM1669AH) - Motor Driver
4. IC405 (TA7291S) - Bridge Driver

IC402 amplifies the laser pickup signal and feeds it to IC401, which is a single-chip CD servo system. IC 402 interfaces with the LCD Key PCB module via three wires [DATA (pin 14), STB (pin 15) and ACK (pin 16)] to receive control commands and return data and status information to and from the LCD Key PCB module. IC402 also directly controls IC403, which in turn drives the forward and disc motors via pins 17 and 18, and pins 11 and 12, respectively. KIA7029 provides a synchronized reset signal to both IC401 and the LCD Key PCB module. The CD output signal is fed to the Mixer PCB module for further processing.



PASSPORT[®] PD-150 PLUS

(This is the model name for warranty claims)

7

The LCD Key PCB Module

The LCD Key PCB module consists of U701 (EM78P468NAQ) which is an MCU controlling IC401 in the CD servo PCB module via CD_STB (pin 38), CD_ACK (pin 39), and CD_DATA (pin 40). It also drives the LCD display directly via pins 1 thru 19, receives an MCU RESET signal at pin 25 in synchronization with IC401 from the CD servo PCB module, and interfaces directly with the six keys providing the CD functions STOP, PLAY/PAUSE, EJECT, FF, RW, and MODE.

The Input PCB Module

The input PCB provides both channels 1 and 2 with XLR and 1/4" phone jacks, and channel 3 with stereo RCA jacks and a 1/4" phone jack. It also provides the AUX SEND, AUX RET, and FOOT SWITCH inputs. The signals from the XLR and 1/4" jacks are amplified (mic mode by +30dB) or buffered (line mode by 0 dB) and then fed to the Mixer PCB module.

The Mixer PCB module

The Mixer PCB module receives inputs from channels 1-3 and the CD servo PCB module. For each channel it provides the following control functions.

1. LEVEL
2. EQ LOW
3. EQ HIGH
4. REV/AUX
5. PAN/BAL

These signals from each channel are mixed at the inputs of U209A and U209B. From here they are controlled by U210A and U210B for Master Volume Left and Right, and then by U211A and U211B for System EQ Left and Right. Finally the left and right channel signals are buffered by U212A and U212B respectively before they go to the inputs of the class-D amplifier PCB module. The REV/AUX signals from each channel are sent to pin 4 of connector CN210, which is the input to the DSP Reverb PCB module, via U208A and U208B. The output signal from the DSP Reverb PCB module is sent to pin 6 of connector CN210. The level of Reverb can be controlled by MASTER REV (VR224A).

The Class-D Amplifier PCB Module

The class-D amplifier TDA8920B is a single 42VDC-supplied bridge configured to deliver 75W output power for both the left and right channels at THD < 1% into an 8-ohm load.

The DSP Reverb PCB Module

The DSP Reverb PCB module receives the input REV/AUX signals at pin 4 of connector CN401. The DSP Reverb's IC's consist of U404 (AL1101 ADC), U405 (AL1201 DAC), and U406 (AL3201B). The outputs from U405 are fed to U402B and then buffered by U402A before feeding back to pin 6 of CN 401.



PASSPORT® PD-150 PLUS

(This is the model name for warranty claims)

.PARTS LIST: **CD SERVO - PCB ASSEMBLY**

QTY	PART #	DESCRIPTION	REFERENCE DESIGNATION
1	0074491000	PCB ASSY CD SERVO	
14	REF	*CC 16V 0.1U 10% 0603/1608 1X2	C404-405 C410 C414 C417-418 C423 C432 C502 C504 C514-515 C525 C527
1	REF	*CC 50V 0.015U 10% 0603	C427
5	REF	*CC 50V 0.01U 10% 0603 MURATA	C460 C465 C466 C467 C519
1	REF	*CC 50V 0.01uF 10% 0603 1x2	C430
2	REF	*CC 50V 0.033U 10% 0603/1608 1X2	C402 C421
5	REF	*CC 50V 0.047uF 10% 0603 1x2	C407 C436-439
2	REF	*CC 50V 2200pF 10% 0603 0.8x1.6	C447 C451
1	REF	*CC 50V 2700PF 10% 0603/1608	C431
2	REF	*CC 50V 470P 10% 0603/1608 1X2	C434 C435
1	REF	*CC 50V 47P 5% 0603 1x2	C428
1	REF	*CC 50V 6800P 10% 0603/1608 1X2	C457
1	REF	*CE 16V 1000u 20% RL 10X1 6 NICHICON/ ELNA	C406
6	REF	*CE 16V 100U 20% RLT 6.3X7 ELNA	C403 C415 C419 C433 C501 C531
3	REF	*CE 16V 220uF 20% RL 8x7 ELNA	C401 C503 C511
1	REF	*CE 16V 22U 20% RLT 4X7 RC2 ELNA	C448
2	REF	*CE 16V 3.3U 20% RLT 5X5	C446 C450
3	REF	*CE 16V 47U 20% RLT 5X7 ELNA	C413 C424 C526
1	REF	*CE 50V 10U 20% RLT 4X7	C530
1	REF	*CONNECTOR FFC 15P P1.0 STRAIGHT SMD SIDE ENTRY	CN402
1	REF	*CONNECTOR FFC 20PIN P=1.0MM (HORIZON- TAL)	CN408
1	REF	*CTC 0/30 1.0pF 0.25pF 0805 1.2x2.5	C458
9	REF	*CTC 0/60 100pF 5% 0603 0.8x1.6	C463-464 C516-517 C520-524
2	REF	*CTC 0/60 15pF 5% 0603 0.8X1.6	C440-441
1	REF	*CTC 0/60 56pF 5% 0603 0.8X1.6	C420
6	REF	*FERRITE BEAD INDUCTOR BL01RN1A1F1J	FB401-406
1	REF	*IC CD DSP TC94A58FAG-006 64PIN QFP TO- SHIBA	IC401
1	REF	*IC MOTOR DRV W/3.3V REG MM1669XH HSOP28D	IC403
1	REF	*IC REG NCP1117ST33T3G 3.3V SOT-223	IC406
1	REF	*IC RF AMP TA2157FN SSOP24 TOSHIBA	IC402
1	REF	*IC TA7291SG(5/M)22240239	IC405
1	REF	*IC VOLATGE DETECTOR KIA7029 SOT89 KEC	IC406
4	REF	*INDUCTOR 10UH 500MA SMD 1210	L401-403 L406
2	REF	*LED HOLDER L L=9	LED

* Non-serviceable part. Replace complete parent assembly. See PCB EXCHANGE POLICY section above.

shaded Unique Fender® part. Order directly from the FMIC Parts Department.

shaded + * Access to this part or assembly is controlled. Please contact the FMIC Customer Service Department.

** Safety Requirement part. Replacement must match Safety Agency...-Value, if specified -Type, if specified -Approval Mark(s) if on part.

shaded + ** Both a unique Fender® part and a Safety Requirement part as defined above.



PASSPORT[®] PD-150 PLUS

(This is the model name for warranty claims)

.PARTS LIST: CD SERVO - PCB ASSEMBLY			
QTY	PART #	DESCRIPTION	REFERENCE DESIGNATION
2	REF	*LED SC 2.9X5.4XL0.5 IR 950NM HALF AN-GEL+/-10DEG	LED1-2
1	REF	*PCB CD/KEY 4/L 10Z FR4 EFPAPD150+05CS17	
1	REF	*RCF 1/4W 4.7R 5% ATS	R549
1	REF	*RMG 1/16W 100R 1% 0603	R555
9	REF	*RMG 1/16W 10K 1% 0603 HK RESIS-TOR/SAMSUNG	R506 R517 R521 R524 R534 R536 R538 R540-541
1	REF	*RMG 1/16W 10R 5% 0603 HK RESIS-TOR/SAMSUNG	R501
1	REF	*RMG 1/16W 15K 1% 0603/1608	R518
3	REF	*RMG 1/16W 1K 1% 0603/1608	R507 R535 R537
4	REF	*RMG 1/16W 2.2K 1% 0603/1608	R420 R446 R447 R505
1	REF	*RMG 1/16W 2.2M 5% 0603	R519
4	REF	*RMG 1/16W 220R 1% 0603/1608	R401 R404 R407 R516
4	REF	*RMG 1/16W 22K 1% 0603 HK RESIS-TOR/SAMSUNG	R502 R504 R523 R542
1	REF	*RMG 1/16W 470K 1% 0603	R520
1	REF	*RMG 1/16W 47K 1% 0603 HK RESISTOR/ SAM-SUNG	R503
1	REF	*RMG 1/16W 5.6K 1% 0603/1608	R522
1	REF	*RMG 1/16W 820R 1% 0603 HK RESIS-TOR/SAMSUNG	R515
4	REF	*RMG 1/16W 82K 5% 0603/1608	R510-511 R513-514
1	REF	*RMG 1/16W 91R 5% 0603/1608	R405
1	REF	*SW DETECTOR PUSH SPST DTS-03-SMT LUP FUNG	SW401
1	REF	*TR 2SA1015-GR(TE2/F/T) RLT TOSHIBA	Q401
1	REF	*TR PNP 2SB1457 TO-92 RL	Q402
2	REF	*WAFER 4P P2.0 90DEG JAPAN	CN405 CN409
1	REF	*X'TAL 16.9344MHZ +/-30PPM AT-51	X401

.PARTS LIST: LCD DISPLAY - PCB ASSEMBLY			
QTY	PART #	DESCRIPTION	REFERENCE DESIGNATION
1	0074494000	PCB ASSY LCD DISPLAY CONTROL	
5	REF	*CC 16V 0.1U 10% 0603/1608 1X2	C701-704 C709
1	REF	*CC 50V 2.2U 10% 1206 X7R MURATA	C708
1	REF	*CONNECTOR FFC 20P P1.0 STRAIGHT F	J701
1	REF	*CRYSTAL 32.768KHZ 2X6 +/-20PPM 6PF	Y701
2	REF	*CTC 0/60 22pF 5% 0603 0.8X1.6	C706-707

* Non-serviceable part. Replace complete parent assembly. See PCB EXCHANGE POLICY section above.

shaded Unique Fender[®] part. Order directly from the FMIC Parts Department.

shaded + * Access to this part or assembly is controlled. Please contact the FMIC Customer Service Department.

** Safety Requirement part. Replacement must match Safety Agency...-Value, if specified -Type, if specified -Approval Mark(s) if on part.

shaded + ** Both a unique Fender[®] part and a Safety Requirement part as defined above.



PASSPORT® PD-150 PLUS

(This is the model name for warranty claims)

.PARTS LIST: LCD DISPLAY - PCB ASSEMBLY			
QTY	PART #	DESCRIPTION	REFERENCE DESIGNATION
1	REF	*DIODE LL4148 SM	D701
1	REF	*DISPLAY LCD 25X14X10 POS DAI-2011-AHPT AMAXKEPO	LCD
1	REF	*IC MCU LCD DRIVER EM78P468NQ QFP-64 ELNA	U701
1	REF	*INSULATION SHEET ASTIGMATISM 28.8X15.6X0.	LENS TRANS
1	REF	*LED SC 2.9X5.4XL0.5 BL L-7104PBD-A KING-BRIGHT	D702
1	REF	*LENS TRANSMIT LIGHT 29X16X9 CLEAR/TEXTURE PD250	LCD
1	** REF	*PCB LCD/KEY FR4 D/S 1OZ A EF-PAPD150+05CS17	
3	REF	*RMG 1/16W 10K 1% 0603 HK RESISTOR/SAMSUNG	R701-703
1	REF	*RMG 1/16W 270R 1% 0603 HK RESISTOR/SAMSUNG	R705
1	REF	*RMG 1/16W 4.7K 1%. 0603/1608.	R706
6	REF	*SW TACT 6X3MM BODY 4.3MM HEIGHT BLACK	SW701-706
1	REF	*TR 3904 HFE 100-300 SM	Q701

.PARTS LIST: D-AMP - PCB ASSEMBLY			
QTY	PART #	DESCRIPTION	REFERENCE DESIGNATION
1	0074492000	PCB ASSY D-AMP	
3	REF	*2P ST.WAFER P=2.5 COULOMB	CN4-6
5	REF	*CC 100V 0.1uF 20% 1206	C18 C21 C45 C48 C58
4	REF	*CC 50V 0.015U 10% 0805 1.2X2.0	C19-20 C46-47
16	REF	*CC 50V 0.1uF 10% 0805 1.2X2.0	C11-12 C14-15 C17 C25 C27 C36-39 C41-42 C44 C52 C54
4	REF	*CC 50V 1000p 5% 0805 1.25X2.0 MURATA	C10 C2 C8 C9
14	REF	*CC 50V 220pF 5% 0805 1.2X2.0	C1 C3 C13 C16 C22-23 C28 C35 C40 C43 C49-50 C56-57
1	REF	*CE 16V 100U 20% RLT 6.3X7 ELNA	C66
4	REF	*CE 35V 1000UF 20% RL 12.5x20 ELNA	C140-143
4	REF	*CE 50V 47UF 20% RLT 6.3X11 SHOEI	C34 C55 C59-60
4	REF	*CM 100V 0.68U 5% RBT 7.5X11.5 MKS2 WIMA	C30-33
4	REF	*CM 63V 0.68uF 10% RL 5X7.5	C171-174
1	REF	*CN ASSY UL1007 #26 L=180 2P F/M P2.5	CN3
1	REF	*DZ 1/2W 5.45-5.73 ROHM AT (MTZJ5.6B)	D3
4	REF	*FERRITE BEAD INDUCTOR BL01RN1A1F1J	L5-8

* Non-serviceable part. Replace complete parent assembly. See PCB EXCHANGE POLICY section above.

shaded Unique Fender® part. Order directly from the FMIC Parts Department.

shaded + * Access to this part or assembly is controlled. Please contact the FMIC Customer Service Department.

** Safety Requirement part. Replacement must match Safety Agency...-Value, if specified -Type, if specified -Approval Mark(s) if on part.

shaded + ** Both a unique Fender® part and a Safety Requirement part as defined above.



PASSPORT[®] PD-150 PLUS

(This is the model name for warranty claims)

.PARTS LIST: D-AMP - PCB ASSEMBLY			
QTY	PART #	DESCRIPTION	REFERENCE DESIGNATION
4	REF	*FERRITE COIL 22UH 20% BL19.2	L1-4
2	REF	*IC PW AMP TDA8920BTH/N2 SOT566-3 PHIL-IPS	U1 U5
1	REF	*PCB AMP 94V0 FR4 D/S EFPAPD150+05CS17	
5	REF	*RMF 1/4W 10K 1% AT	R19 R20 R38 R39 R7
2	REF	*RMF 3W 1.2K 5% ATS METAL OXIDE	R25-26
1	REF	*RMG 1/10W 0R 5% 0805	R37
1	REF	*RMG 1/10W 10K 5% 0805	R30
4	REF	*RMG 1/10W 2.7K 5% 0805	R1-2 R17-18
1	REF	*RMG 1/10W 22K 5% 0805	R34
2	REF	*RMG 1/10W 27K 5% 0805	R3 R33
2	REF	*RMG 1/10W 30K 1% 0805	R40 R41
1	REF	*RMG 1/10W 39K 5% 0805	R36
1	REF	*RMG 1/10W 8.2K 5% 0805	R32
2	REF	*RMG 1/16W 68R 5% 0603/1608	R80-81
10	REF	*RMG 1/4W 10R 5% 1206	R4 R8-9 R12 R22-24 R27-29
1	REF	*RMG 1/4W 200R 5% 1206	R35
1	REF	*RMG 1/4W 22K 1% 1206	R31
4	REF	*RMG 1W 22R 5% 2512	R13-16
1	REF	*TR 2N3904/PS	Q2
2	REF	*TR 2N3904TA RLT	Q1 Q2
1	REF	** , *WAFER 4P P3.96 STRAIGHT MALE	CN1
1	REF	*WAFER 6 PIN P2.5	CN2

.PARTS LIST: OUTPUT JACK - PCB ASSEMBLY			
QTY	PART #	DESCRIPTION	REFERENCE DESIGNATION
1	0074507000	PCB ASSY OUT	
2	REF	JACK PHONE 4PIN 6.4 LJ-0695A-4R PLASTIC BUSH	
1	REF	**WAFER 4P P3.96 STRAIGHT MALE	CON804

.PARTS LIST: INPUT - PCB ASSEMBLY			
QTY	PART #	DESCRIPTION	REFERENCE DESIGNATION
1	0074493000	PCB ASSY INPUT PD150 PLUS	
2	REF	*2P ST. WAFER P=2.0 COULOMB	CN103-104
4	REF	*CC 50V 0.1uF 20% 0805 1. 2x2.0	C109-112

* Non-serviceable part. Replace complete parent assembly. See PCB EXCHANGE POLICY section above.

shaded Unique Fender[®] part. Order directly from the FMIC Parts Department.

shaded + * Access to this part or assembly is controlled. Please contact the FMIC Customer Service Department.

** Safety Requirement part. Replacement must match Safety Agency...-Value, if specified -Type, if specified -Approval Mark(s) if on part.

shaded + ** Both a unique Fender[®] part and a Safety Requirement part as defined above.



PASSPORT® PD-150 PLUS

(This is the model name for warranty claims)

.PARTS LIST: INPUT - PCB ASSEMBLY			
QTY	PART #	DESCRIPTION	REFERENCE DESIGNATION
4	REF	*CC 50V 100pF 5% 0805 1.2 x2.0	C105-108
4	REF	*CE 25V 100U 20% 5X11 RLT RUBYCON YK	C196-199
4	REF	*CE 50V 22UF 20% RLT 5X11 SHOEI	C101-104
2	REF	*DIN SOCKET JY-5033-030GD PCB TYPE	MJ101-102
8	REF	*DIODE LL4148 SM	D101-108
2	REF	*IC NJM2068M-#ZZZB DUAL OP AMP	U101-102
1	REF	*IC NJM7812FA-#ZZZB REGULATOR	U305
1	REF	*IC NJM7912FA-#ZZZB REGULATOR	U306
2	REF	*JACK PHONE 4PIN 6.4 LJ-0695A-4R PLASTIC BUSH	JP901 JP902
2	0074587000	JACK RCA 2P GOLDEN PLATING	RCA101 RCA102
1	REF	*JM24182-4P WAFER	CN102
1	REF	*JM24182-5P WAFER	CN106
1	REF	*LED HOLDER H L=22	LED102
1	REF	** *PCB INPUT/MIX 94V0 CEM-1 EF-PAPD150+05CS17	
6	0070067000	REAR PHONE JACK 5 PIN	PJ101-106
1	REF	*RMG 1/10W 1.5K 5% 0805	R123
4	REF	*RMG 1/10W 10K 5% 0805	R117-120
8	REF	*RMG 1/10W 1K 5% 0805	R101-102 R105-106 R109-110 R113-114
8	REF	*RMG 1/10W 33K 5% 0805	R103-104 R107-108 R111-112 R115-116
1	REF	*RMG 1/10W 47R 5% 0805	R122
1	REF	*SIL 3144D GREEN LED 3MM	LED102
3	REF	*SW-SLIDE 2P2T SS2214RG9 Y.S.C.	SW101-103
1	REF	*WAFER 4P P3.96 STRAIGHT MALE	CN901
1	REF	*WAFER 9PIN P=2.50	CN201A
1	REF	*WAFER JM24182-3P	CN201B
1	REF	*WIRE-CONN 6P P2.5 #26 UL1007 L=245 M/F	CN103

.PARTS LIST: MIXER - PCB ASSEMBLY			
QTY	PART #	DESCRIPTION	REFERENCE DESIGNATION
1	0074495000	PCB ASSY MIX PD150 PLUS	
1	REF	*3 PIN SHIELD WIRE ASSY L=130MM	CN301
6	REF	*CC 50V 0.022U 10% 0805 1.2X2.0	C204 C231-235
2	REF	*CC 50V 0.1uF 10% 0805 1.2X2.0	C244-245
6	REF	*CC 50V 1000pF 10% 0805 1.2x2.0	C203 C205-209
4	REF	*CC 50V 4700pF 5% 0805 1.2x2.0	C236-239

* Non-serviceable part. Replace complete parent assembly. See PCB EXCHANGE POLICY section above.

shaded Unique Fender® part. Order directly from the FMIC Parts Department.

shaded + * Access to this part or assembly is controlled. Please contact the FMIC Customer Service Department.

** Safety Requirement part. Replacement must match Safety Agency...-Value, if specified -Type, if specified -Approval Mark(s) if on part.

shaded + ** Both a unique Fender® part and a Safety Requirement part as defined above.



PASSPORT® PD-150 PLUS

(This is the model name for warranty claims)

.PARTS LIST: MIXER - PCB ASSEMBLY			
QTY	PART #	DESCRIPTION	REFERENCE DESIGNATION
20	REF	*CC 50V 47pF 5% 0805 1.2x 2.0	C211-230
7	REF	*CE 50V 0.47uF 20% RL 4x7	C247-253
11	REF	*CE 50V 1UF 20% RLT 4X5 SSK SHOEI	C260 C262 C264-272
2	REF	*CE 50V 4.7U 20% RLT 4X7	C246 C263
4	REF	*CE 50V 47UF 20% RLT 6.3X11 SHOEI	C276-279
1	REF	*CN ASSY UL2547 #26 L=210 3P M/M P2.5	CN206
4	REF	*DIODE LL4148 SM	D205-208
12	REF	*IC NJM2068M-#ZZZB DUAL OP AMP	U201-212
4	REF	*RCF 1/4W 1K 5% ATS	R254-255 R258-259
18	REF	*RCF 1/4W 27K 5% ATS	R202 R208 R273 R300-302 R304-306 R308-309 R311-314 R316-318
6	REF	*RCF 1/4W 33K 5% ATS	R320-325
8	REF	*RCF 1/4W 39K 5% ATS	R209-215 R272
1	REF	*RCF 1/4W 47R 5% ATS	R298
4	REF	*RCF 1/4W 56K 5% ATS	R226 R315 R319 R327
1	REF	*RCF 1/4W 6.8K 5% ATS	R289
2	REF	*RCF 1/4W 8.2K 5% ATS	R218-219
15	REF	*RCF 1/4W 82K 5% ATS	R221-225 R227-233 R251-253
17	REF	*RCF 1/8W 100K 5% AT	R234-R250
15	REF	*RCF 1/8W 10K 5% AT	R216-217 R256-257 R261-R271
4	REF	*RCF 1/8W 1M 5% AT	R278-R281
4	REF	*RCF 1/8W 36K 5% AT	R220 R303 R307 R310
4	REF	*RMG 1/10W 2.2K 5% 0805	R803-806
4	REF	*RMG 1/10W 270K 5% 0805	R125-R128
4	REF	*RMG 1/10W 470R 5% 0805	R801-802 R807-808
2	REF	*RMG 1/16W 10K 5% 0603 HK RESIS- TOR/SAMSUNG	R809-810
2	REF	*RMG 1/16W 270K 5% 0603	R129-130
3	REF	*TR FET J112-TR1-E3 RLT	Q208 Q209 Q210
4	REF	*TR RN1241-A(TPE4/F)	Q1 Q2 Q3 Q4
4	0074613000	VR RK14K1240 (100KBx2) ALPS	VR202 VR206 VR211 VR216
20	0074614000	VR RK14K1240 100KBx2 W/C.C (ALPS)	VR201 VR203 VR204-205 VR207-210 VR212-215 VR217-224
1	REF	*WIRE-CONN 12P P2.5 #26 UL1007 L=130 F/F	CN201
1	REF	*WIRE-CONN 4P P2.0 #26 UL1007 L=215 F/F	CN204
1	REF	*WIRE-CONN 5P P2.54 #26 UL1007 L=300 F/F	CN209
1	REF	*WIRE-CONN 6P P2.54 #26 UL1007 L=120 F/F	CN210
1	REF	*WIRE-CONN 6P P2.54 #26 UL1007 L=250 F/F	CN208

* Non-serviceable part. Replace complete parent assembly. See PCB EXCHANGE POLICY section above.

shaded Unique Fender® part. Order directly from the FMIC Parts Department.

shaded + * Access to this part or assembly is controlled. Please contact the FMIC Customer Service Department.

** Safety Requirement part. Replacement must match Safety Agency...-Value, if specified -Type, if specified -Approval Mark(s) if on part.

shaded + ** Both a unique Fender® part and a Safety Requirement part as defined above.



PASSPORT® PD-150 PLUS

(This is the model name for warranty claims)

.PARTS LIST: DSP REVERB - PCB ASSEMBLY			
QTY	PART #	DESCRIPTION	REFERENCE DESIGNATION
1	0074508000	PCB ASSY DSP REVERB	
1	REF	*2P ST.WAFER P=2.5 COULOMB	CN403
19	REF	*CC 50V 0.1uF 10% 0805 1.2X2.0	C405-406 C412-419 C422-427 C431-432 C434
2	REF	*CC 50V 220pF 10% 0805 1.2x2.0	C407 C409
1	REF	*CC 50V 4700pF 10% 0805 1.2x2.0	C404
1	REF	*CC 50V 470pF 10% 0805 1.2X2.0	C408
7	REF	*CE 50V 10UF 20% RLT 5X11 SHOEI	C401-403 C410-411 C430 C433
1	REF	*CE 50V 1UF 20% RLT 5X11 SHOEI	C420
2	REF	*CE 50V 47UF 20% RLT 6.3X11 SHOEI	C428-429
1	REF	*CN ASSY UL1007 #26 L=180 2P F/M P2.5	CN402
1	REF	*IC AL1101G WAVEFRONT ADC	U404
1	REF	*IC AL1201G WAVEFRONT DAC	U405
1	REF	*IC AL3201BG WAVEFRONT DIGITAL REVERB	U406
1	REF	*IC L78L05ACZ ST	U407
3	REF	*IC NJM2068M-#ZZZB DUAL OP AMP	U401-403
1	REF	*JM24182-6P WAFER	CN401
1	REF	*PCB DSP REVE D/S FR4 10Z REV: D EF-PAP150D+05CS21	
1	REF	*RMG 1/10W 100K 5% 0805	R401
8	REF	*RMG 1/10W 10K 5% 0805	R408 R410-411 R416 R418-421
1	REF	*RMG 1/10W 1K 5% 0805	R417
4	REF	*RMG 1/10W 2.2K 5% 0805	R402-405
3	REF	*RMG 1/10W 220R 5% 0805	R406-407 R413
2	REF	*RMG 1/10W 4.7K 5% 0805	R409 R412
1	REF	*RMG 1/10W 47K 5% 0805	R415
1	REF	*RMG 1/8W 10R 5% 1206	R414
1	REF	*X'TAL 12.288MHZ +/- 30PPM 49U	XL401

.PARTS LIST: SMPS – MODULE ASSEMBLY			
QTY	PART #	DESCRIPTION	REFERENCE DESIGNATION
1	0074497000	MODULE SMPS AC100-240V 47-53HZ 240W PD150	
1	0074490000	**FAN DC 12V 4700RPM 80X80X25	
1	0074489000	**FAN DC 12V 40X40X10	REAL
1	REF	*COVER-BOTTOM EFPAPD150+05CS17	
1	REF	*COVER-TOP POWER SUPPLY PD150 PLUS	

* Non-serviceable part. Replace complete parent assembly. See PCB EXCHANGE POLICY section above.


shaded Unique Fender® part. Order directly from the FMIC Parts Department.

shaded + * Access to this part or assembly is controlled. Please contact the FMIC Customer Service Department.

** Safety Requirement part. Replacement must match Safety Agency...-Value, if specified -Type, if specified -Approval Mark(s) if on part.

shaded + ** Both a unique Fender® part and a Safety Requirement part as defined above.

.PARTS LIST: SMPS – MODULE ASSEMBLY			
QTY	PART #	DESCRIPTION	REFERENCE DESIGNATION
2	0074591000	** , *FUSE T3.15A 250V 5X20MM UR & SEMKO	POWER INLET
1	REF	*HALO BUSHING 0813C	
2	REF	*M3 NUT NI	FAN
2	REF	*M3 NUT NI	POWER INLET
1	REF	** , *CHOKE EARTH TOROIDAL 200UH #18 WIRE GRE/YEL	PCB/GND
1	REF	*NUT HEX M4	KS-966N-1
1	REF	*NUT HEX M4	RING T'NAL
1	0070264000	POWER INLET SOCKET SC9F-21	
1	REF	*RUBBER SUPPORT PCB 10X10X7	
3	REF	*SCREW BH M3X 5 MM BZ CRO SS	COVER BOTTOM
1	REF	*SCREW B-TITE BIND M4X8 CROSS-RECESS BZ	SPACER
4	REF	*SCREW D3X6 S-TITE BH,BK	TOP COVER
4	REF	*SCREW M3X10 W/S&F WASHER (BLK)	FAN
4	REF	*SCREW M3X10 W/S&F WASHER (BLK)	PCB SMPS
2	REF	*SCREW MACHINE PAN M3X10 CROSS-RECESS BZ	POWER INLET
2	REF	** , *SCREW S-TITE BIND M3X12 CS-RECESS BZ	FAN
1	REF	*SPACER SSRS4-5-01 P150	BOTTOM COVER
1	0074485000	SWITCH ROCKER 2PIT 6A/250V UL/SEMKO R13-0-6	
1	REF	** , *TRE 12X6X4 TOROIDAL KS-9 66N-1	L304
1	REF	*WASHER INT-TOOTH M4X0.8X8.5 BZ	KS-966N-1
1	REF	*WASHER INT-TOOTH M4X0.8X8.5 BZ	RING T'NAL
1	REF	*WASHER METAL M4X0.8X10 BZ	SPACER
6	REF	*WASHER SPRING M3X0.9X5.5 BZ	TOP COVER
1	REF	*WASHER SPRING M4X1X7 NI	KS-966N-1
1	REF	*WASHER SPRING M4X1X7 NI	RING T'NAL
1	REF	** , *WIRE-CONN 3P P3.96 #18 UL1015 L=45 F/M	IN LET

.PARTS LIST: MISCELLANEOUS MATERIALS			
QTY	PART #	DESCRIPTION	REFERENCE DESIGNATION
24	0074481000	KNOB-SMALL 23.6X23.6X20.5	
1	0074483000	KNOB-CD EFPAPD250 	CD
1	0074498000	SPEAKER CABINET ASSEMBLY, PD150+	
1	0074496000	COMPLETE FRONT PANEL ASSEMBLY, PD150+	

* Non-serviceable part. Replace complete parent assembly. See PCB EXCHANGE POLICY section above.

shaded Unique Fender® part. Order directly from the FMIC Parts Department.

shaded + * Access to this part or assembly is controlled. Please contact the FMIC Customer Service Department.

** Safety Requirement part. Replacement must match Safety Agency...–Value, if specified –Type, if specified –Approval Mark(s) if on part.

shaded + ** Both a unique Fender® part and a Safety Requirement part as defined above.

**PASSPORT® PD-150 PLUS**

(This is the model name for warranty claims)

1	0074505000	TOWER SIDE CABINETS A, PD150+	
1	0074506000	TOWER SIDE CABINETS B, PD150+	
1	0070315000	GP UL/IEC POWER CORD (UL/CSA VER) NORTH AMERICA, TAIWAN	
1	0070316000	GP CE/IEC POWER CORD (EURO VER) CONT. EUR/ASIA EXPT HK, CHINA, AUSTRALIA, JAPAN	
1	0070317000	GP BS/IEC POWER CORD (UK/HK) UK, HK	
1	0070318000	GP CCEE POWER CORD (CHINA) GREAT WALL STD.	
1	0070319000	GP SAA/IEC POWER CORD (AUST/NZ) AUS- TRALIA/NEW ZEALAND	
1	0070320000	GP JIS/IEC POWER CORD W/ GND PIN JAPAN	

* Non-serviceable part. Replace complete parent assembly. See PCB EXCHANGE POLICY section above.

shaded Unique Fender® part. Order directly from the FMIC Parts Department.

shaded + * Access to this part or assembly is controlled. Please contact the FMIC Customer Service Department.

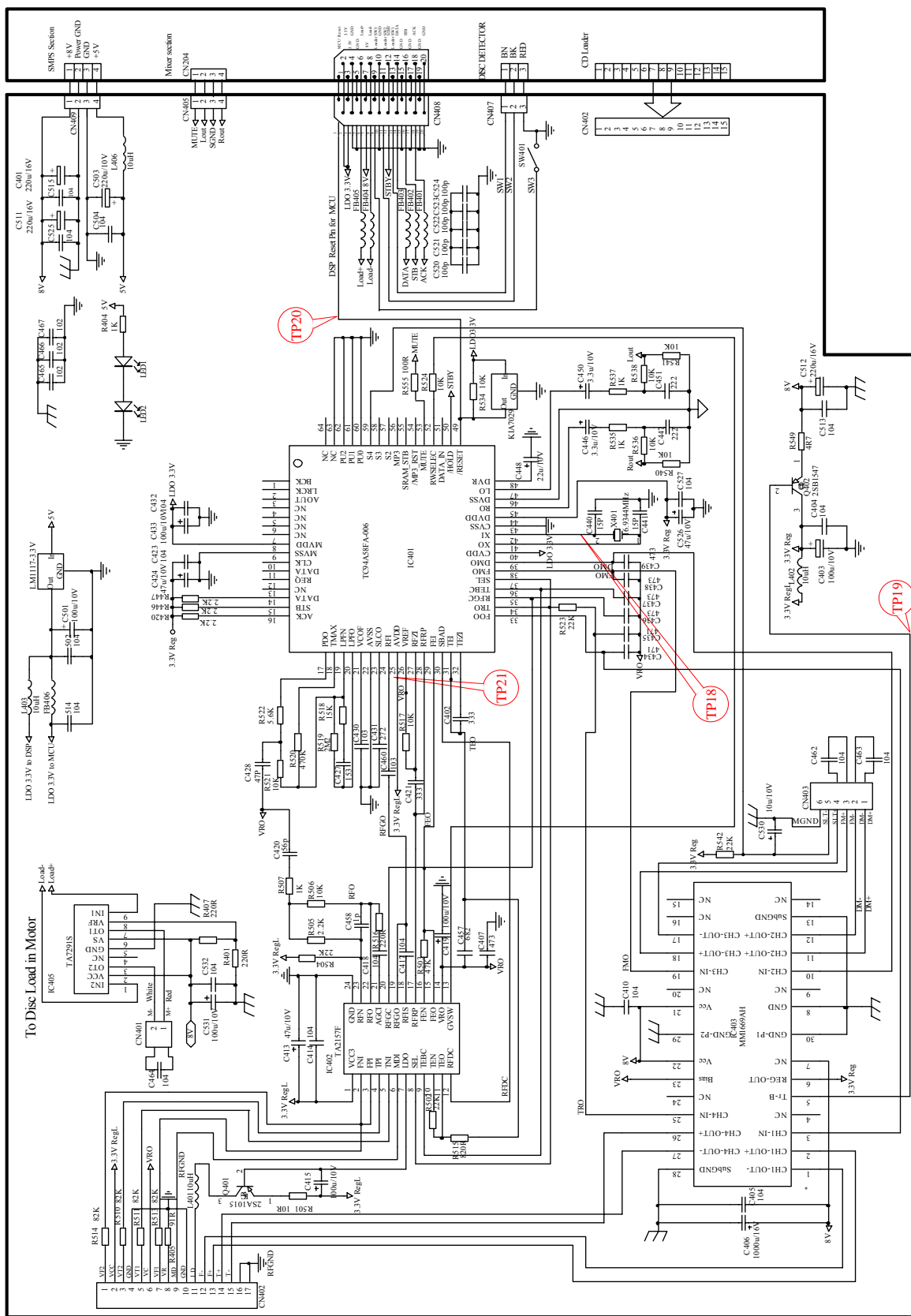
** Safety Requirement part. Replacement must match Safety Agency...–Value, if specified –Type, if specified –Approval Mark(s) if on part.

shaded + ** Both a unique Fender® part and a Safety Requirement part as defined above.

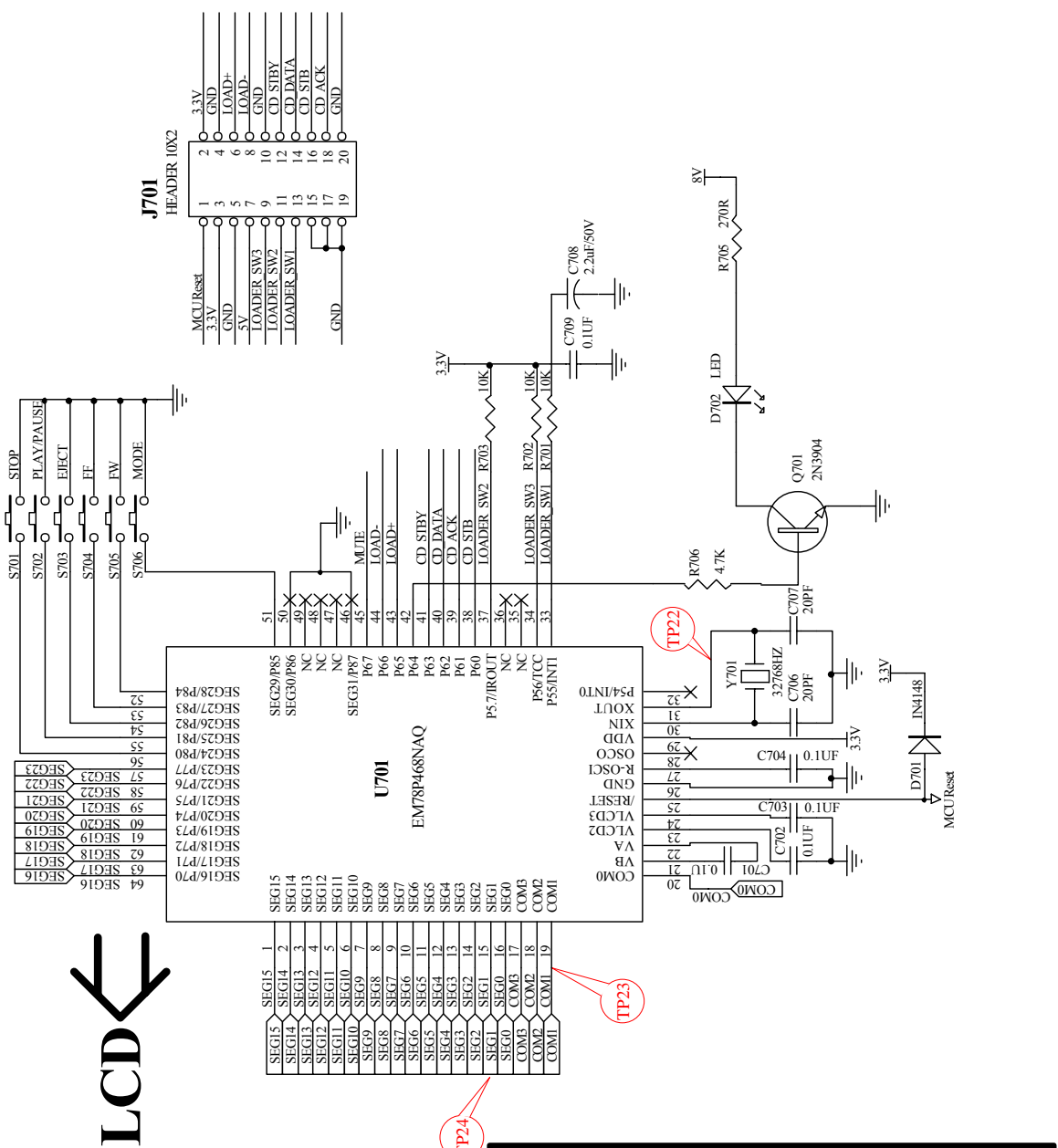


Service Diagram List

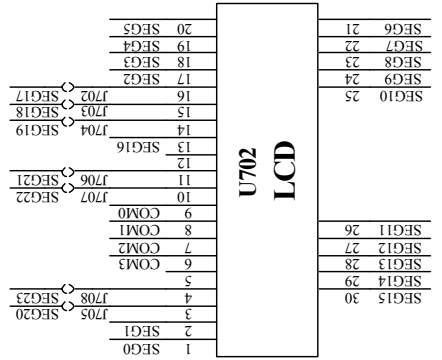
Service Diagram (Schematic)	CD SERVO
Service Diagram (Schematic)	LCD DISPLAY
Service Diagram (PCB Assembly)	CD SERVO & LCD DISPLAY PCB
Service Diagram (Schematic)	D-AMP
Service Diagram (PCB Assembly)	D-AMP PCB
Service Diagram (Schematic)	INPUT
Service Diagram (PCB Assembly)	INPUT PCB
Service Diagram (Schematic)	MIXER
Service Diagram (PCB Assembly)	MIXER PCB COMPONENT SIDE
Service Diagram (PCB Assembly)	MIXER PCB COPPER SIDE
Service Diagram (Schematic)	DSP REVERB
Service Diagram (PCB Assembly)	DSP REVERB/OUTPUT PCB
Service Diagram (Schematic)	SMPS
Service Diagram (PCB Assembly)	SMPS PCB COMPONENT SIDE
Service Diagram (PCB Assembly)	SMPS PCB COPPER SIDE
Service Diagram (Test Point Information)	TP1-TP26
Service Diagram (Block Diagram)	WIRING DIAGRAM
Service Diagram (Exploded View)	FRONT PANEL ASSY
Service Diagram (Exploded View)	POWER SUPPLY ASSY
Service Diagram (Exploded View)	SPEAKER ASSY
Service Diagram (Exploded View)	LATCH ASSY
Service Diagram (Exploded View)	TOWER HOUSING ASSY
Service Diagram (Exploded View)	MAIN UNIT ASSY
Service Diagram (Exploded View)	PACKING ASSY



Fender **PASSPORT**
CD SERVO Schematic



LCD



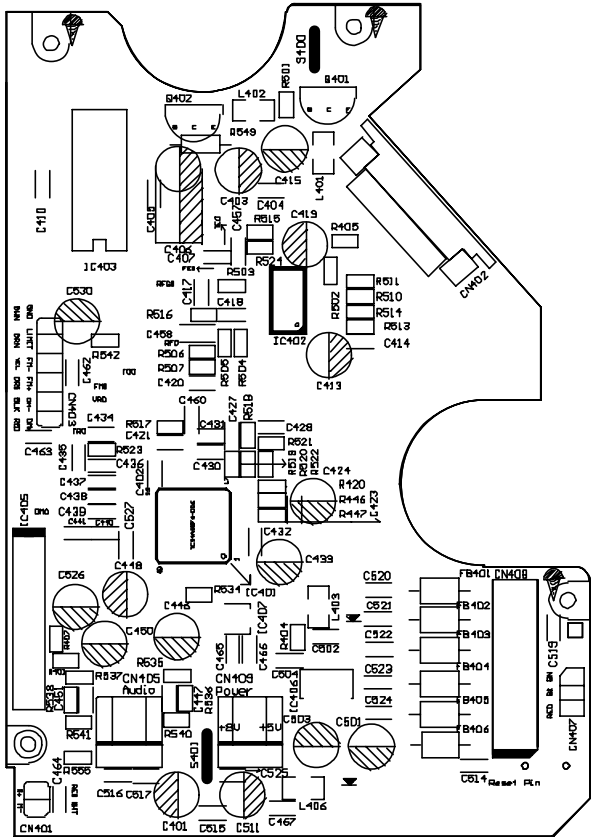
NOTICE

以下脚位为IC烧录脚

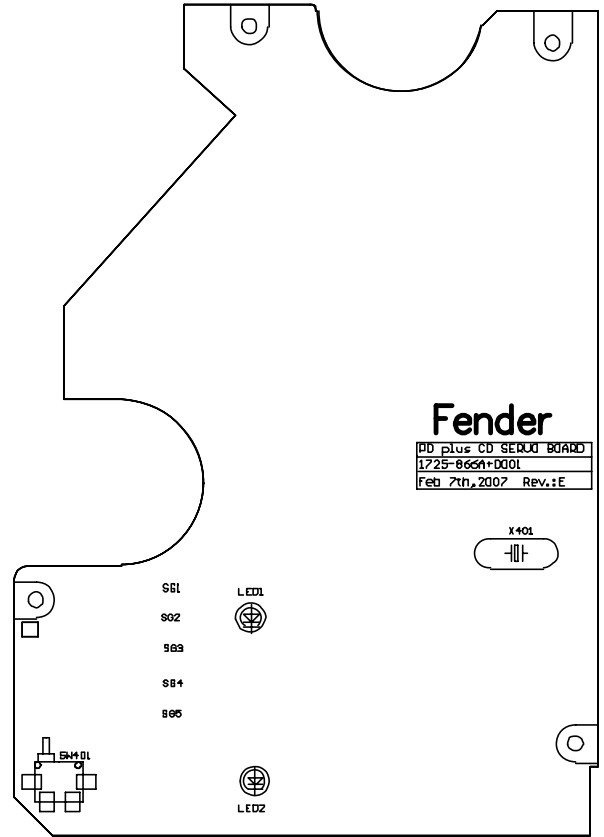
IC Pin / Name	Program Pin Name
25/RESET	VPP
32/PS4	CLK
33/PS5	DINCK
34/PS6	DATAIN
38/P00	PGMB
39/P01	OEB
29/VDD	VDD
26/GND	GND

以下为IC脚与烧录座示意图

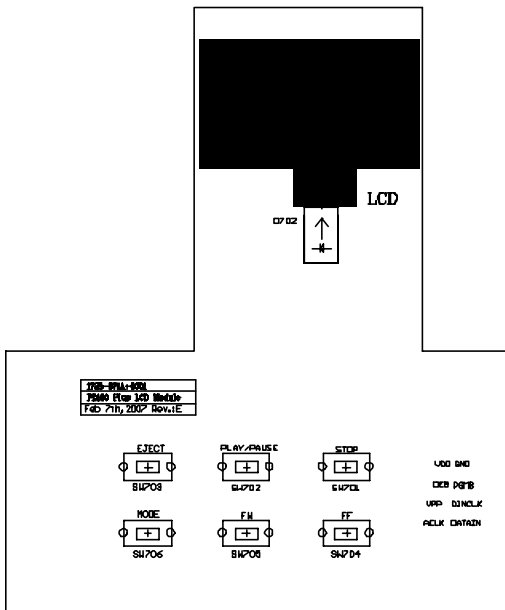
烧录座40 PIN插座



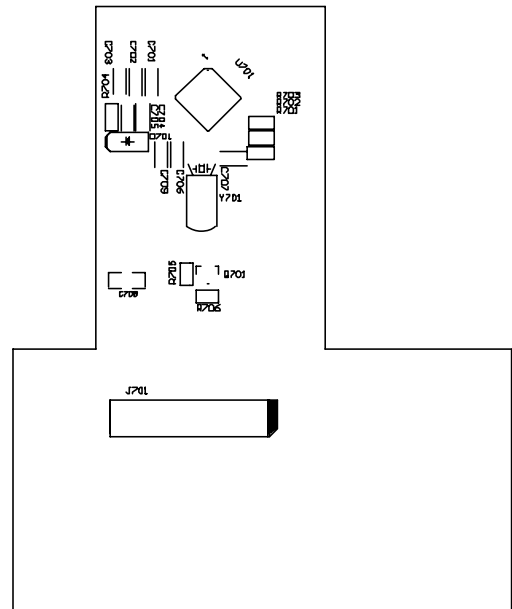
CD Servo PCB Component Side



CD Servo PCB Copper Side

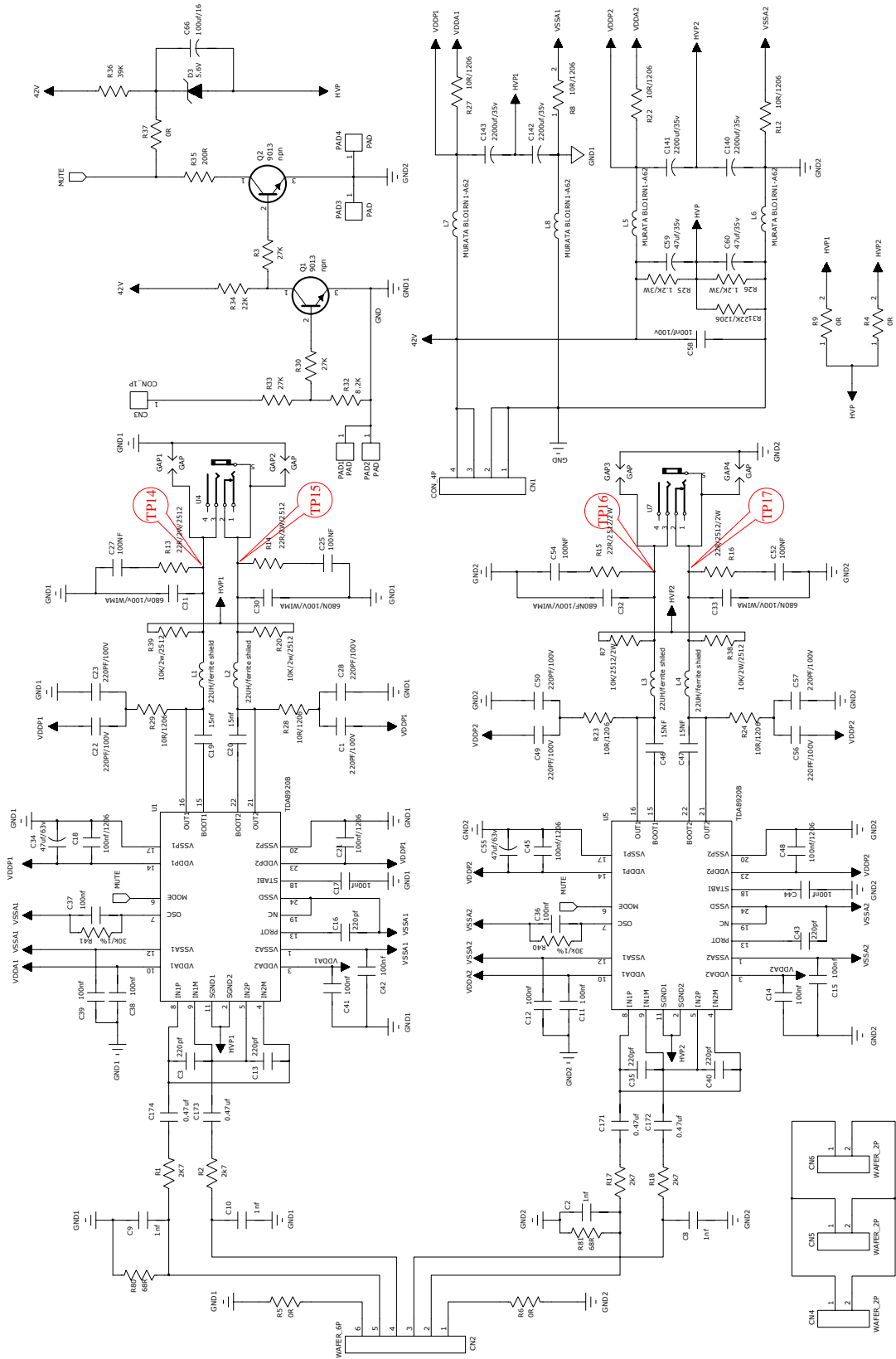


LCD Display PCB Component Side

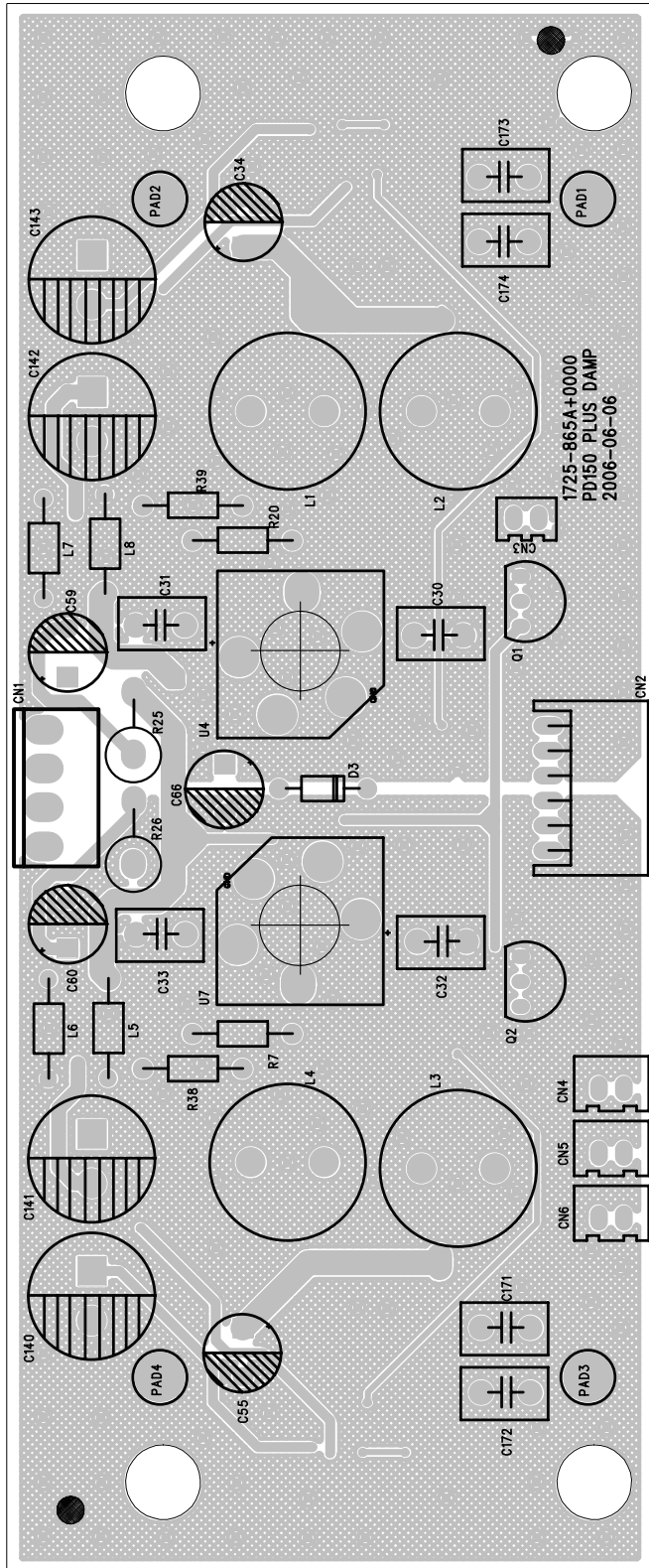


LCD Display PCB Copper Side

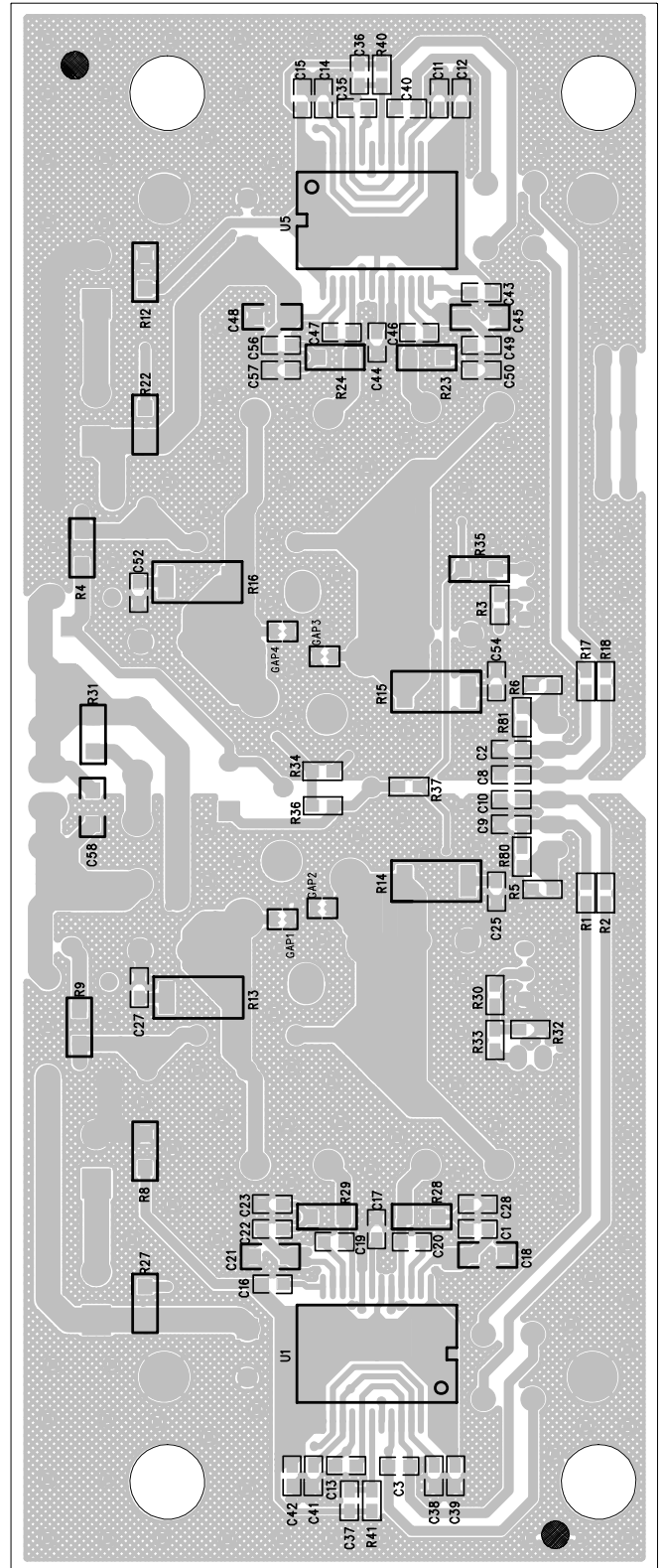
Fender PASSPORT
CD SERVO & LCD DISPLAY PCB



Fender PASSPORT
D-AMP Schematic Diagram

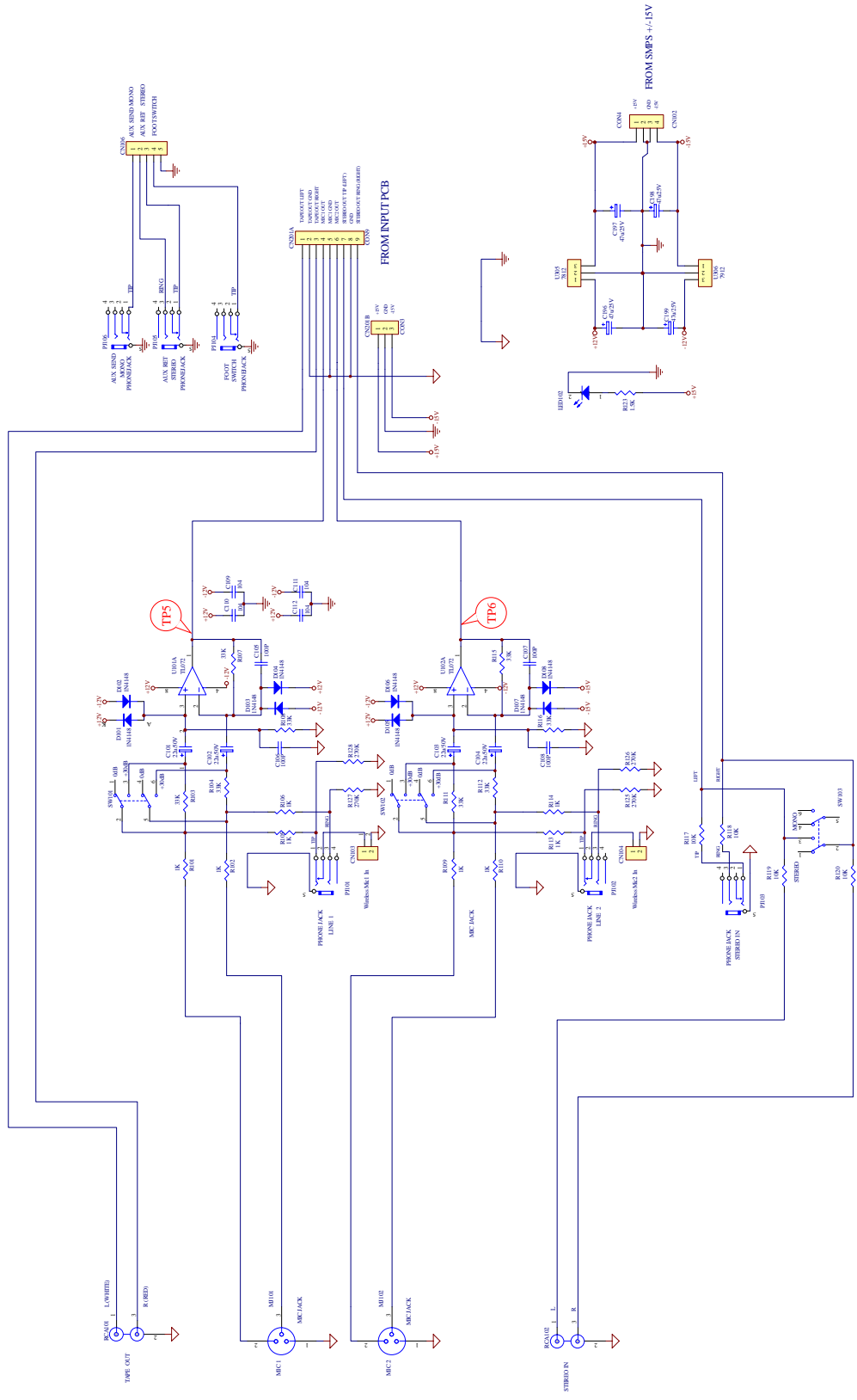


D-AMP PCB Component Side

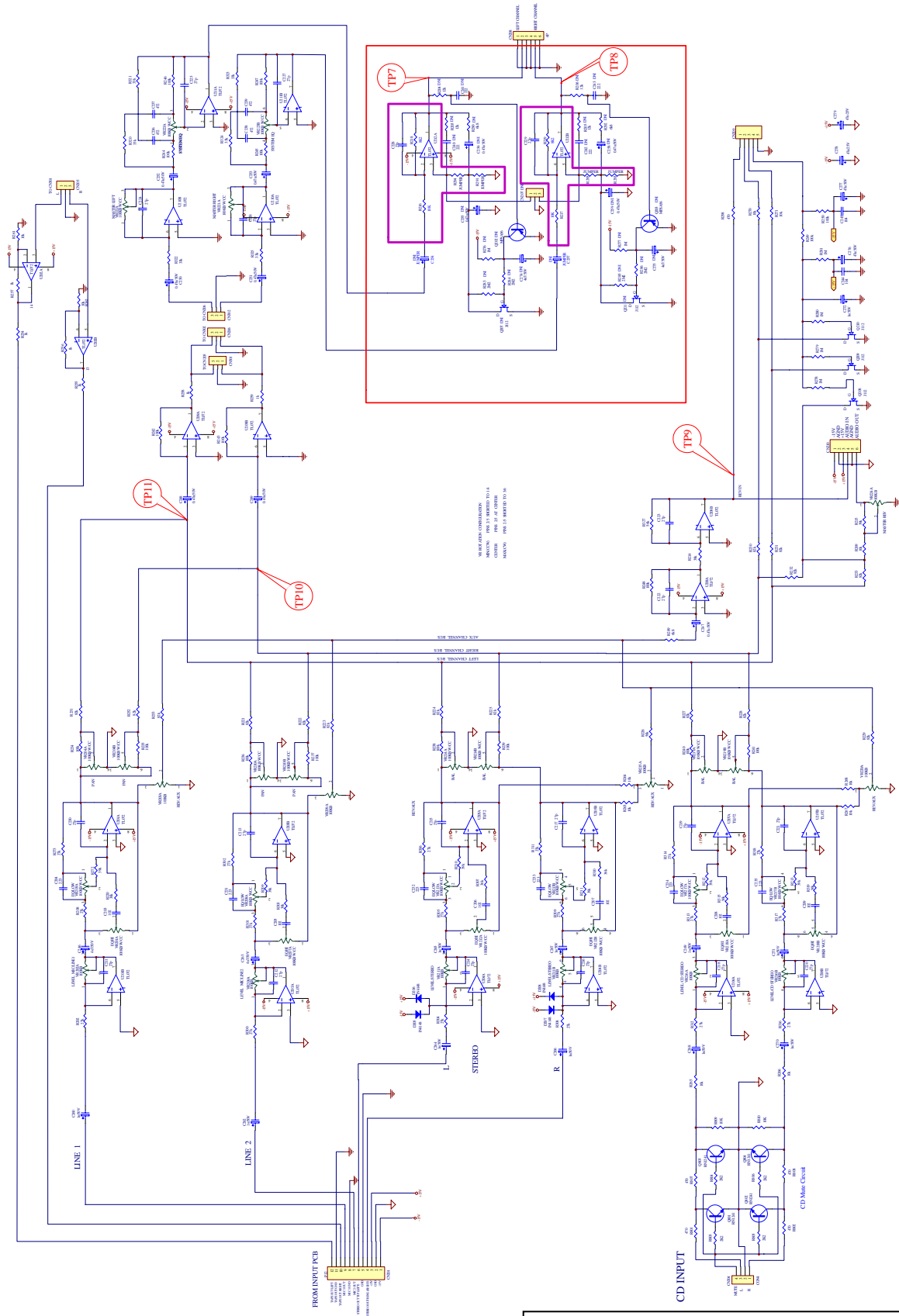


D-AMP PCB Copper Side

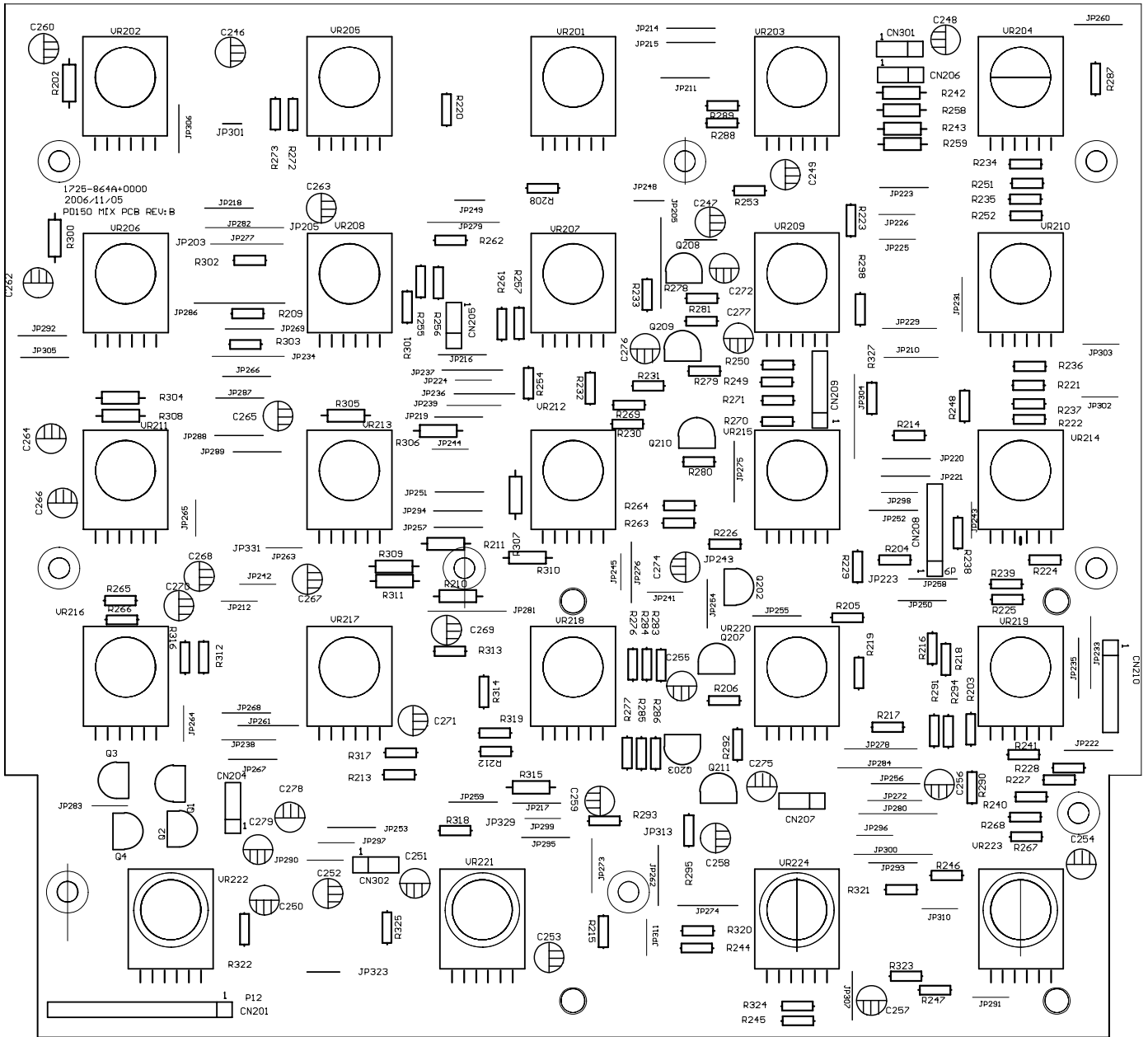
Fender **PASSPORT**
D-AMP PCB



Fender PASSPORT
INPUT Schematic Diagram

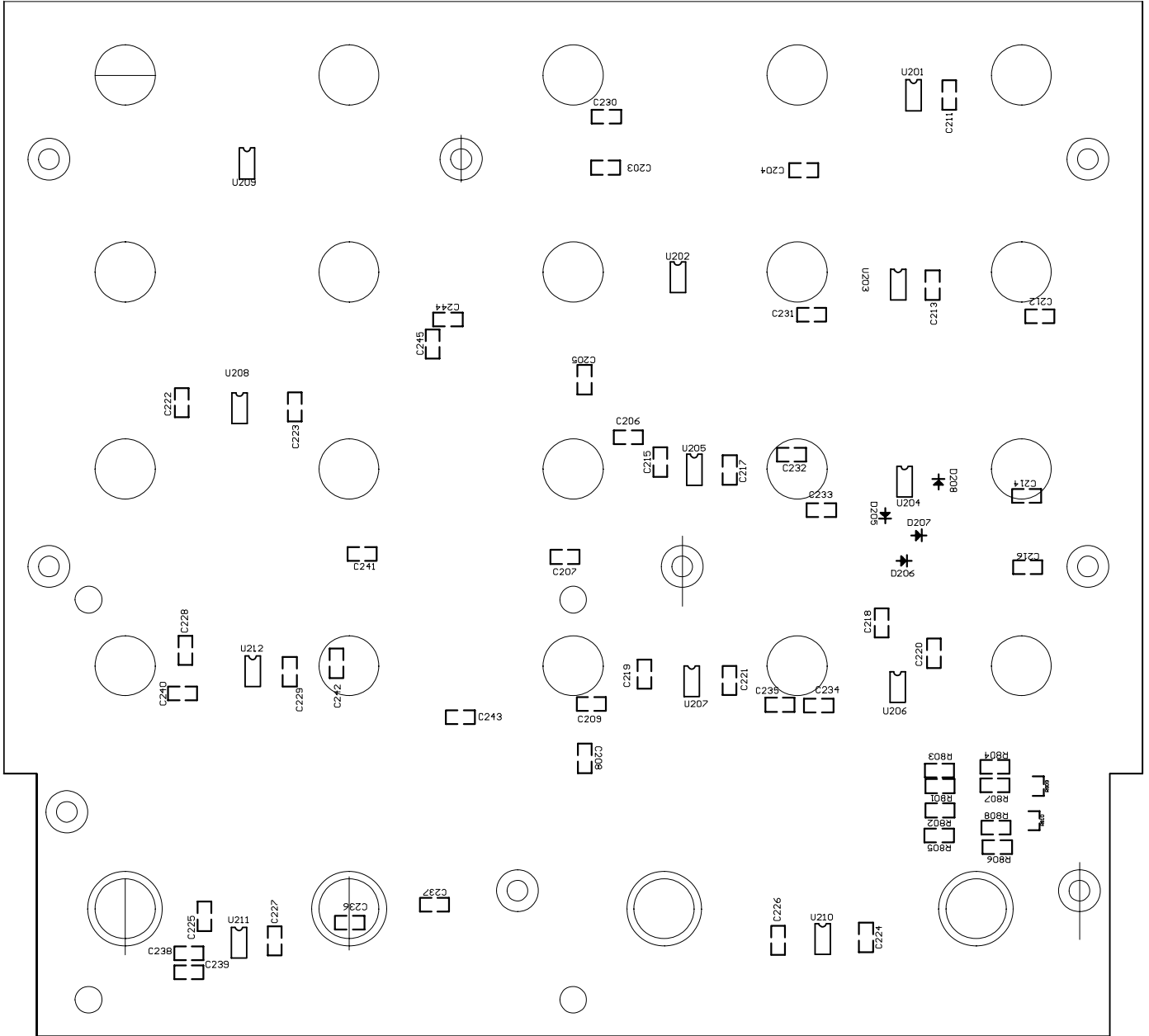


Fender **PASSPORT**
 MIXER Schematic Diagram



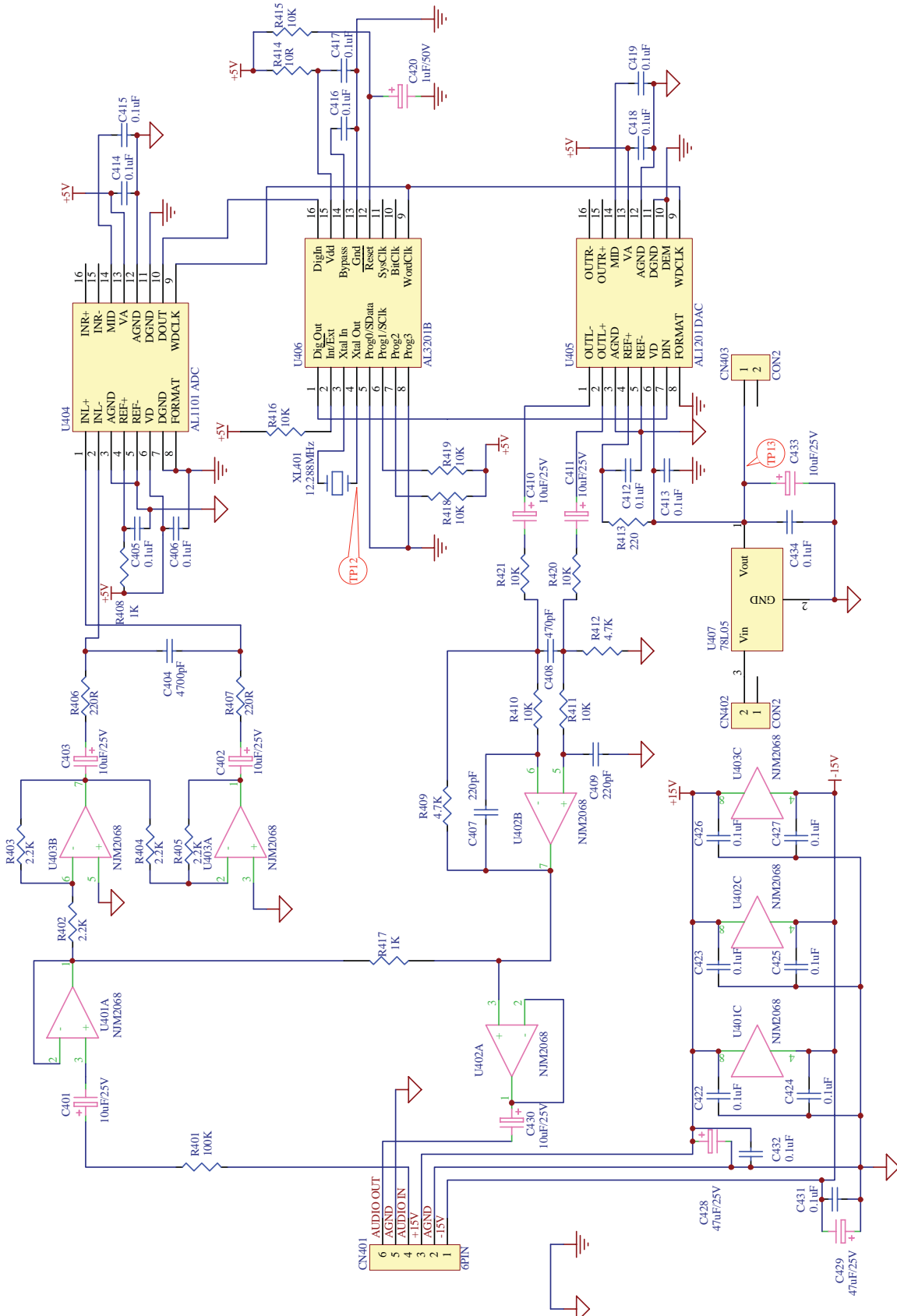
Mixer PCB Component Side

Fender **PASSPORT**
MIXER PCB

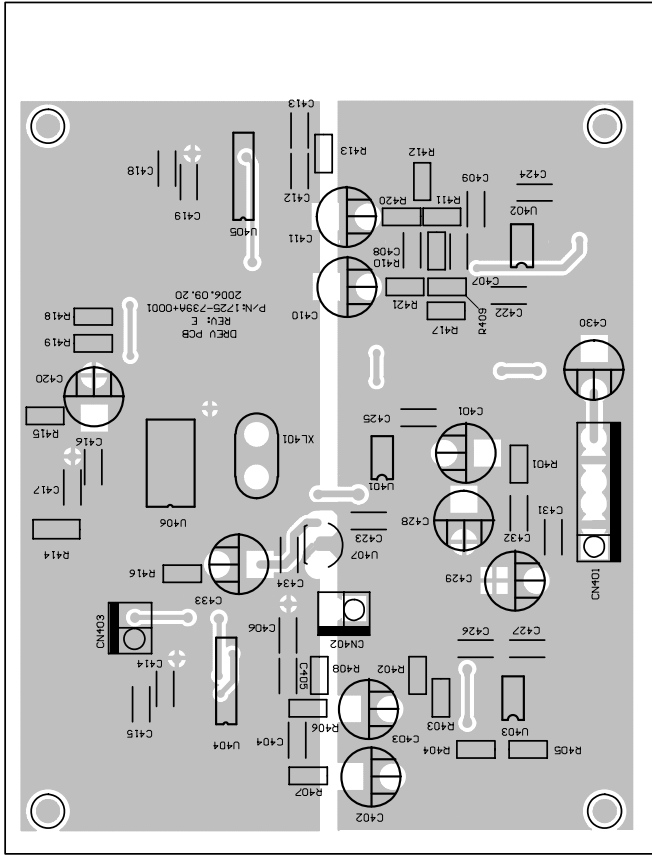


Mixer PCB Copper Side

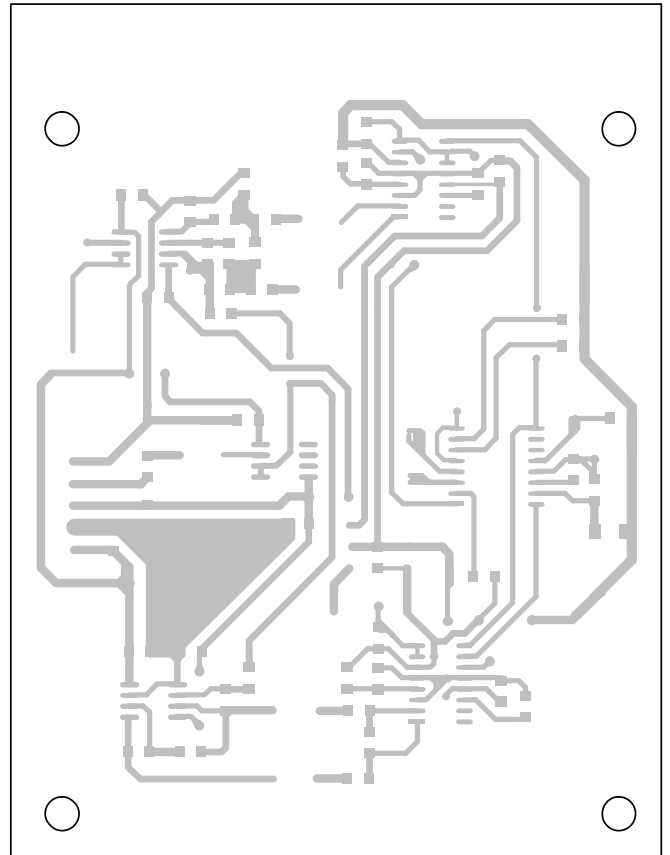
Fender **PASSPORT**
MIXER PCB



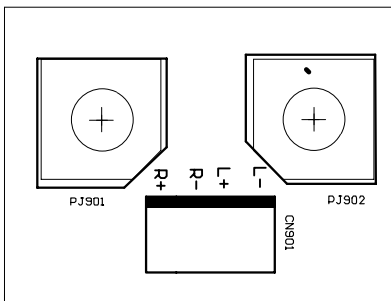
PASSPORT
 DSP REVERB Schematic Diagram



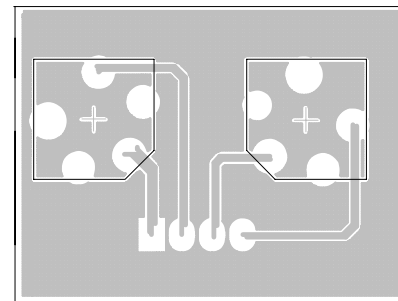
DSP Reverb PCB Component Side



DSP Reverb PCB Copper Side

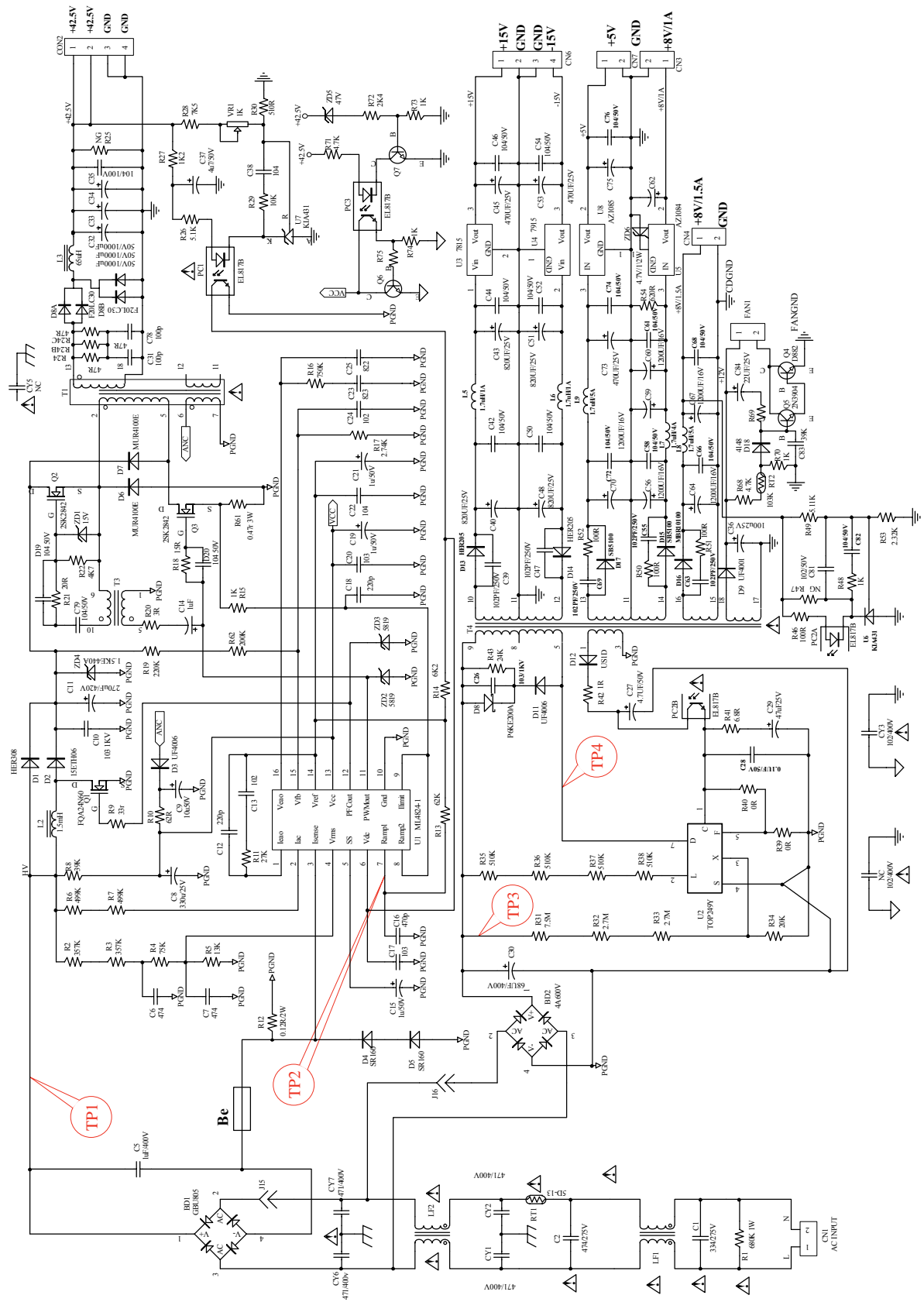


OUTPUT PCB Component Side

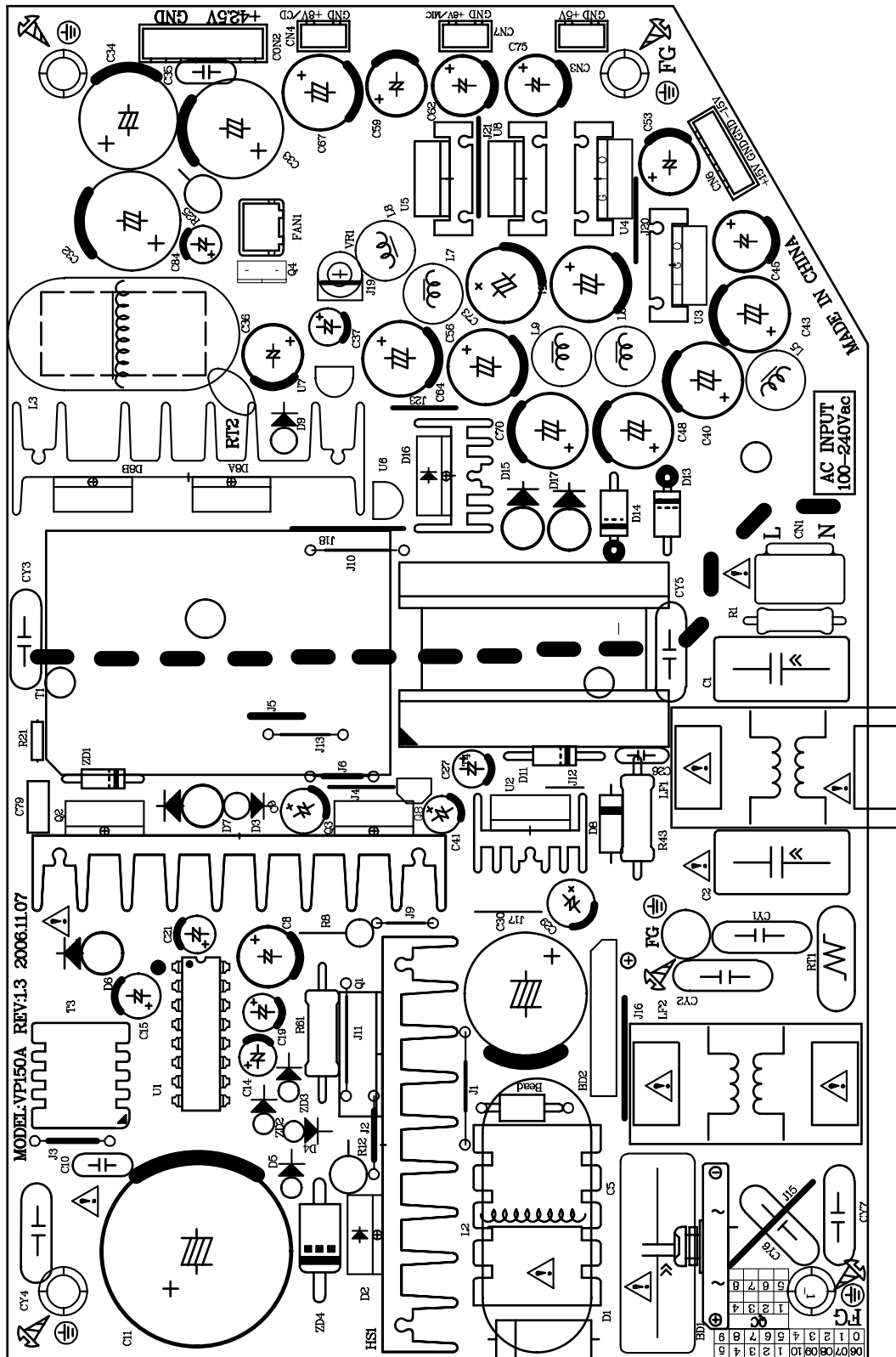


OUTPUT PCB Copper Side

Fender **PASSPORT**
 DSP REVERB PCB

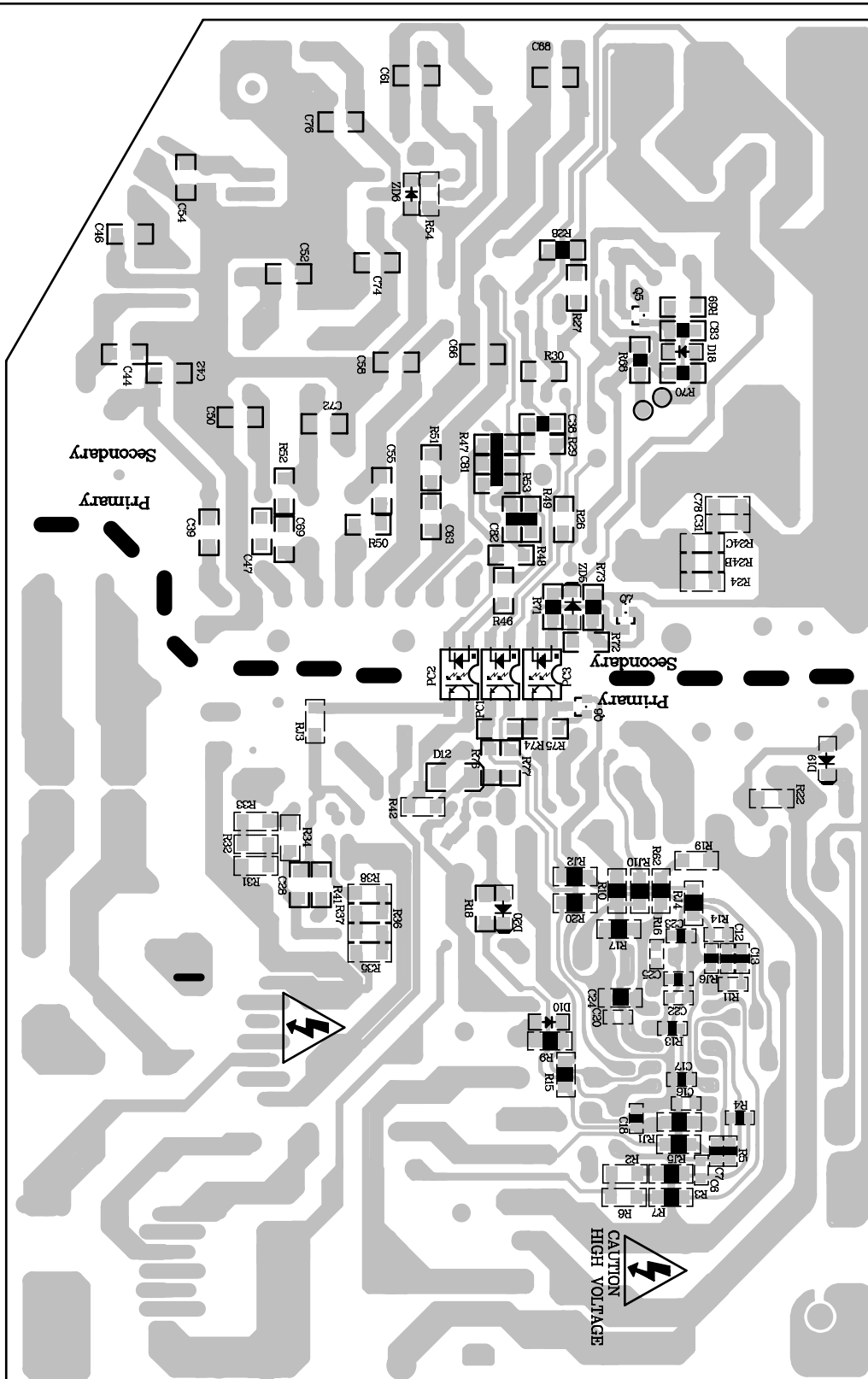


Fender PASSPORT
SMPS Schematic Diagram



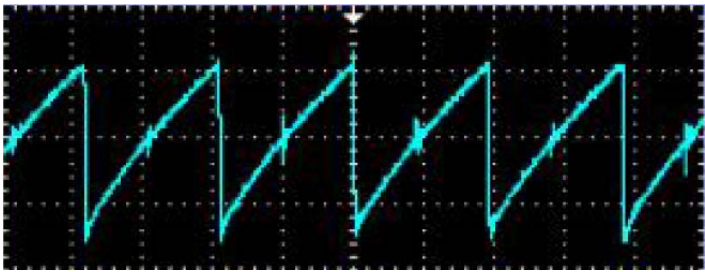
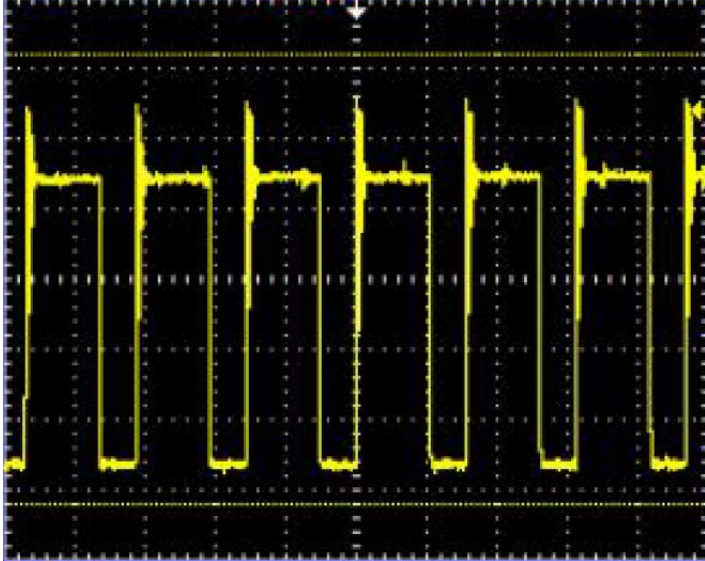
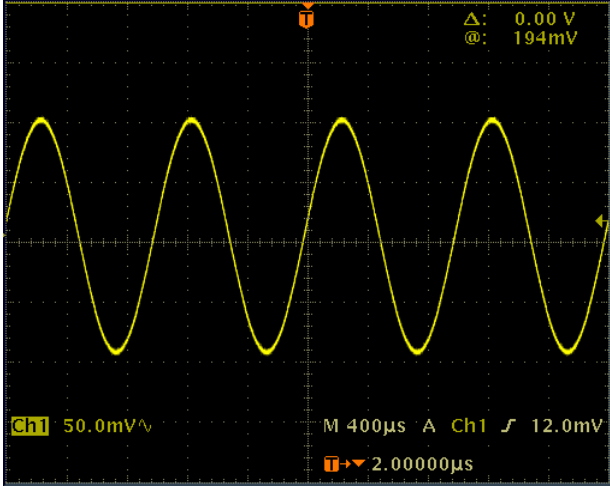
SMPS PCB Component Side

Fender **PASSPORT**
SMPS PCB



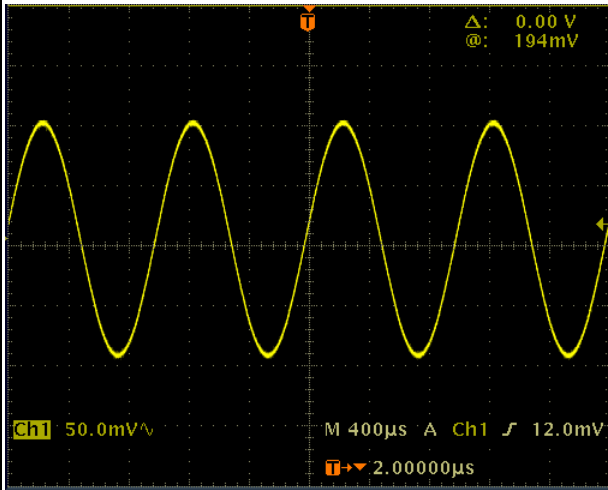
SMPS PCB Copper Side

Fender **PASSPORT**
SMPS PCB

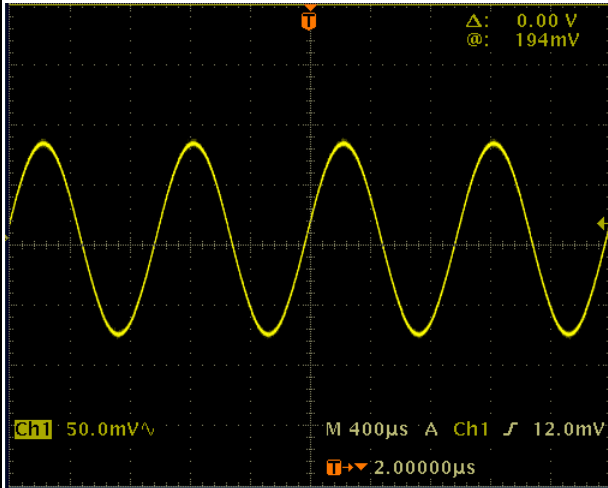
TP1	DC380V
TP2	
TP3	DC 322V
TP4	
TP5	

Fender **PASSPORT**
 Test Point Information

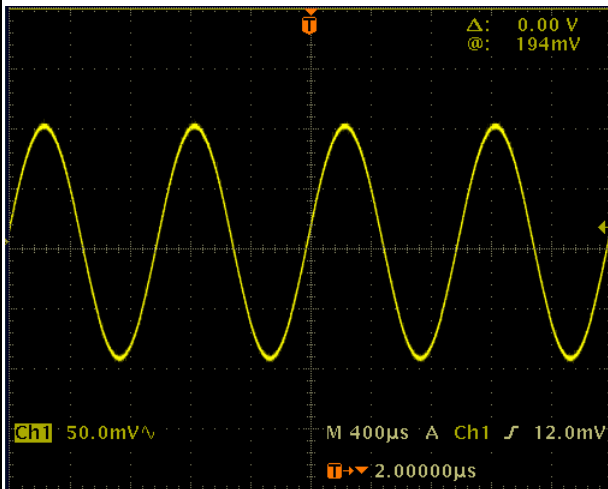
TP6



TP7

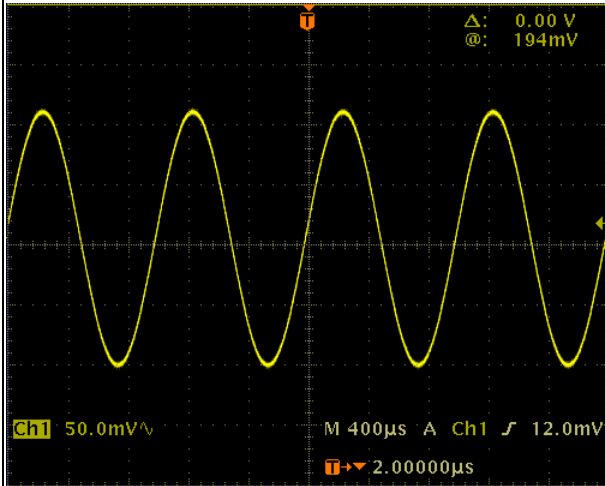


TP8

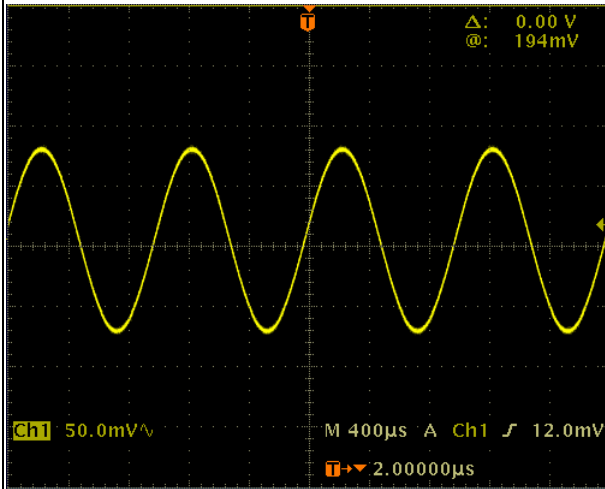


Fender PASSPORT
Test Point Information

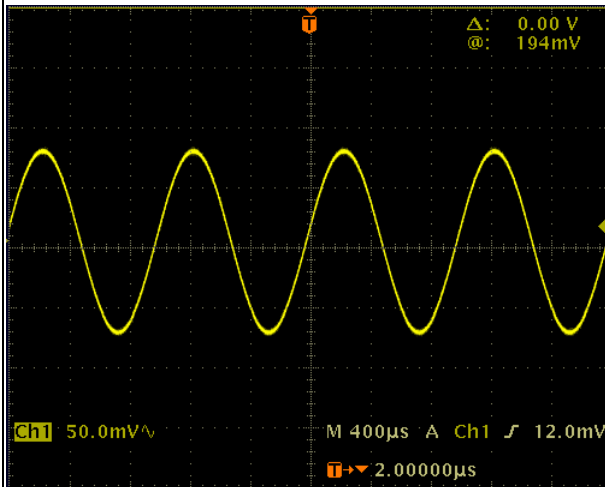
TP9



TP10

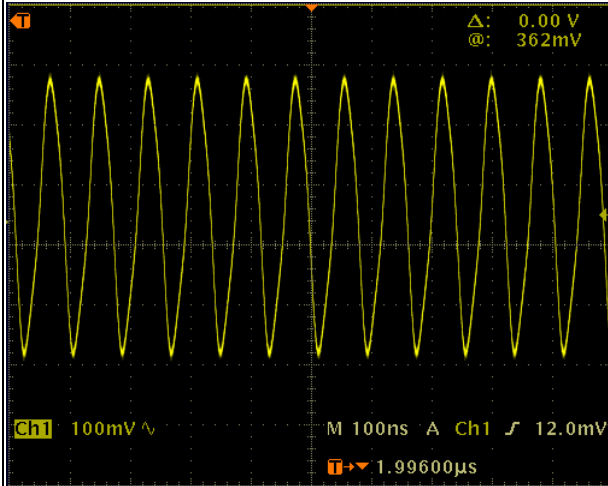


TP11



Fender PASSPORT
Test Point Information

TP12



TP13

DC 5V

TP14

DC 21V

TP15

DC 21V

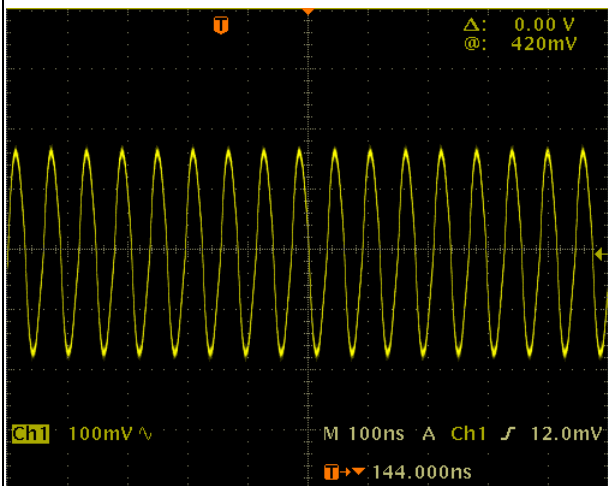
TP16

DC 21V

TP17

DC 21V

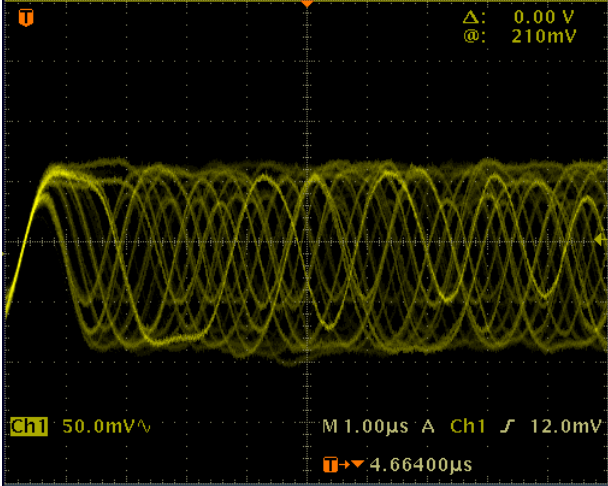
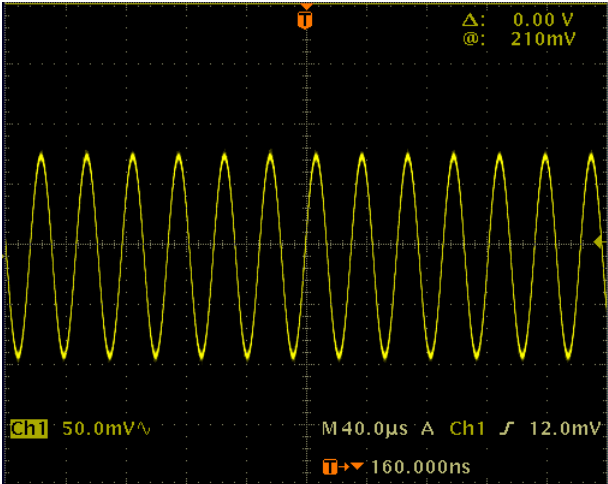
TP18



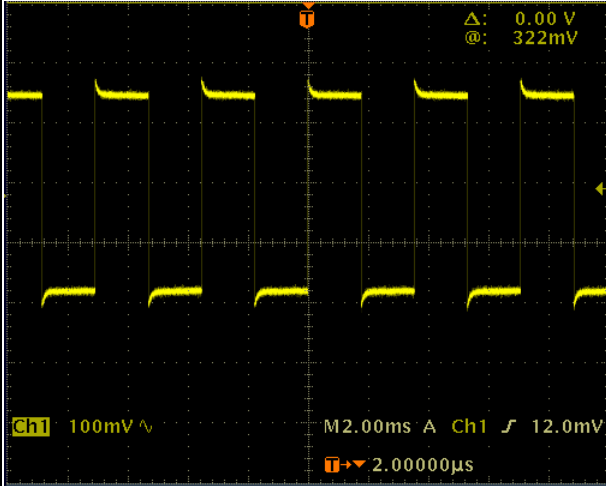
Fender

PASSPORT

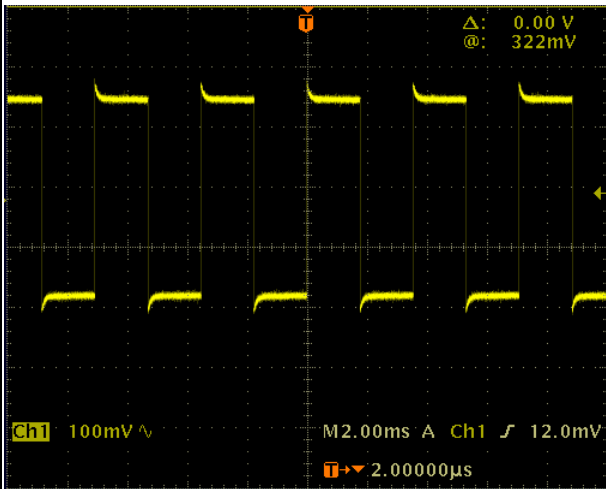
Test Point Information

TP19	DC 6V
TP20	DC 3.3V
TP21	
TP22	

TP23

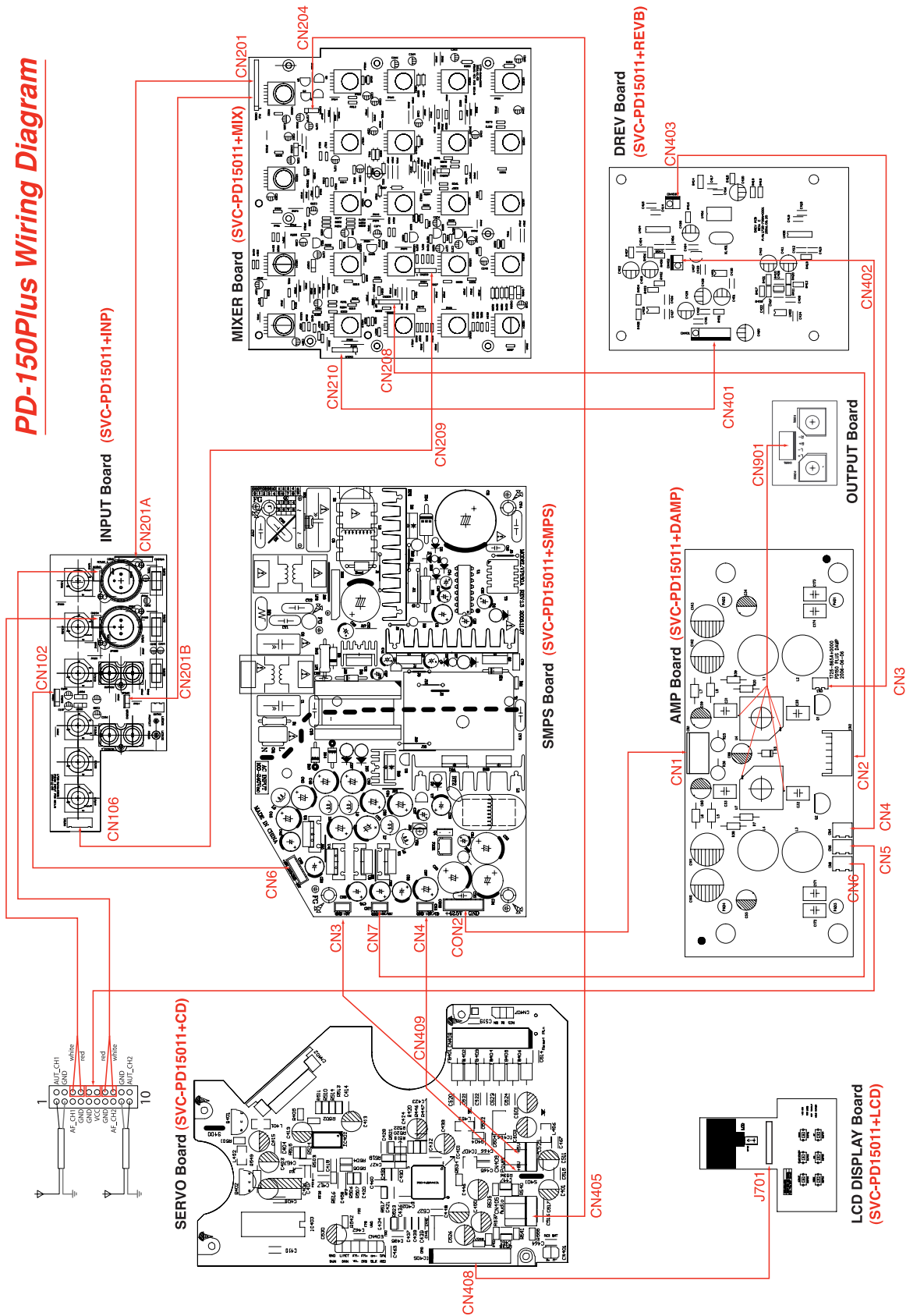


TP24



Fender PASSPORT
Test Point Information

PD-150Plus Wiring Diagram



Fender **PASSPORT**
 Wiring Diagram

The following shows the legend of the mating connections

SVC-PD15011+CD		SVC-PD15011+LCD			
CN408	1	MCU RESET	J701	1	MCU RESET
	2	3.3V		2	3.3V
	3	3.3V		3	3.3V
	4	GND		4	GND
	5	GND		5	GND
	6	LOAD+		6	LOAD+
	7	8V		7	8V
	8	LOAD-		8	LOAD-
	9	LOADER SW3		9	LOADER SW3
	10	GND		10	GND
	11	LOADER SW2		11	LOADER SW2
	12	STBY		12	STBY
	13	LOADER SW1		13	LOADER SW1
	14	DATA		14	DATA
	15	GND		15	GND
	16	STBY		16	STBY
	17	GND		17	GND
	18	ACK		18	ACK
	19	GND		19	GND
	20	GND		20	GND
SVC-PD15011+CD		SVC-PD15011+MIX			
CN405	1	R	CN204	1	R
	2	GND		2	GND
	3	GND		3	GND
	4	L			L
SVC-PD15011+DAMP		SVC-PD15011+SMPS			
CN1	1	42V	CON2	1	42V
	2	42V		2	42V
	3	GND		3	GND
	4	GND			GND
SVC-PD15011+DAMP		SVC-PD15011+SMPS			
CN5	1	8V	CN7	1	8V
	2	GND		2	GND
SVC-PD15011+DAMP		SVC-PD15011+DEVB			
CN4	1	8V	CN402	1	8V
	2	GND		2	GND
SVC-PD15011+DAMP		SVC-PD15011+DEVB			
CN3	1	8V	CN403	1	8V
	2	GND		2	GND
SVC-PD15011+DAMP		SVC-PD15011+MIXER			
CN2	1	GND	CN208	1	GND
	2	R		2	R
	3	GND		3	GND
	4	GND		4	GND

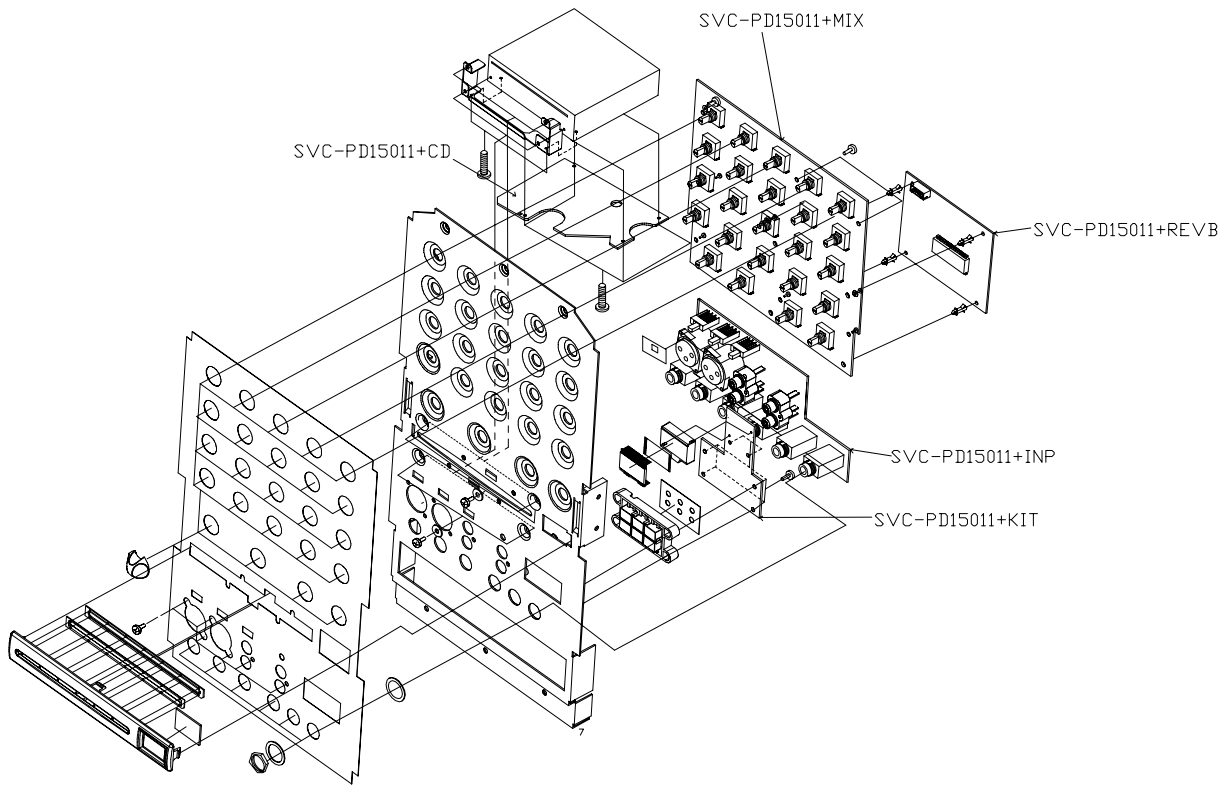
Fender

PASSPORT

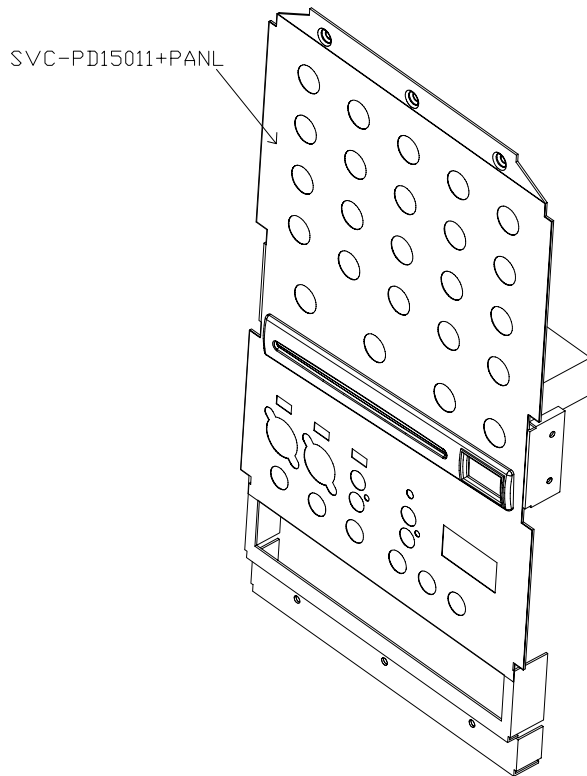
Wiring Diagram

	5 L		5 L
	6 GND		6 GND
SVC-PD15011+DREV		SVC-PD15011+MIXER	
CN401	1 -15V	CN208	1 -15V
	2 GND		2 GND
	3 15V		3 15V
	4 INPUT		4 INPUT
	5 GND		5 GND
	6 OUTPUT		6 OUTPUT
SVC-PD15011+INPUT		SVC-PD15011+MIXER	
CN201A	1 L STEREO OUT	CN201	1 L STEREO OUT
	2 GND		2 GND
	3 R STEREO OUT		3 R STEREO OUT
	4 MIC1 OUT		4 MIC1 OUT
	5 GND		5 GND
	6 MIC OUT		6 MIC OUT
	7 L STEREO IN		7 L STEREO IN
	8 GND		8 GND
	9 R STEREO IN		9 R STEREO IN
CN201B	1 15V		10 15V
	2 GND		11 GND
	3 -15V		12 -15V
SVC-PD15011+MIXER		SVC-PD15011+INPUT	
CN209	1 REV/AUX SEND	CN106	1 REV/AUX SEND
	2 AUX/RET R		2 AUX/RET R
	3 AUX/RET L		3 AUX/RET L
	4 FOOT SWITCH		4 FOOT SWITCH
	5 GND		5 GND
SVC-PD15011+CD		SVC-PD15011+SMPS	
CN409	1 5V	CN3	1 5V
	2 GND		2 GND
	3 GND	CN4	3 GND
	4 8V		4 8V

Fender **PASSPORT**
Wiring Diagram

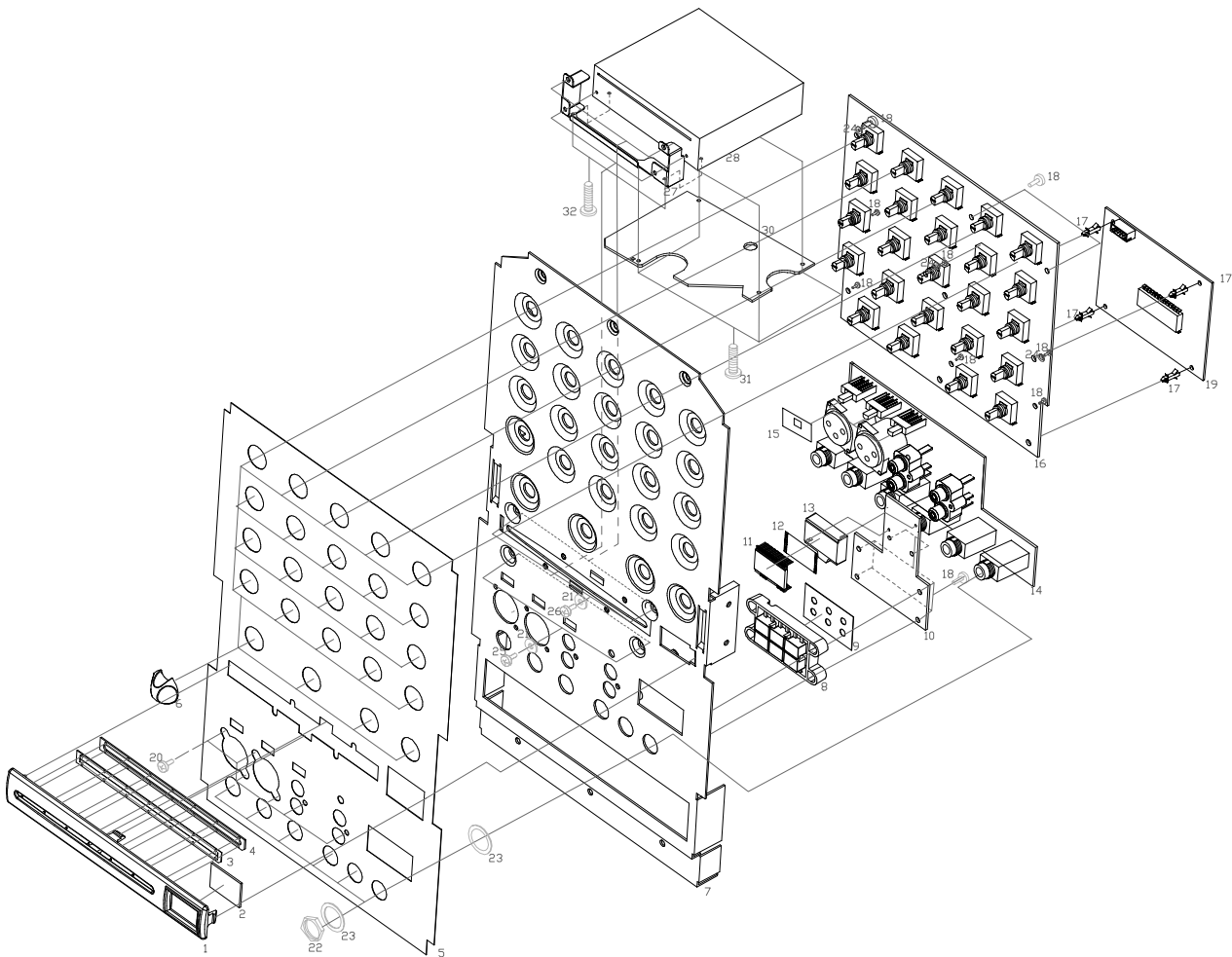


Front Panel Assy Exploded View (2)



Front Panel Assy Exploded View (1)

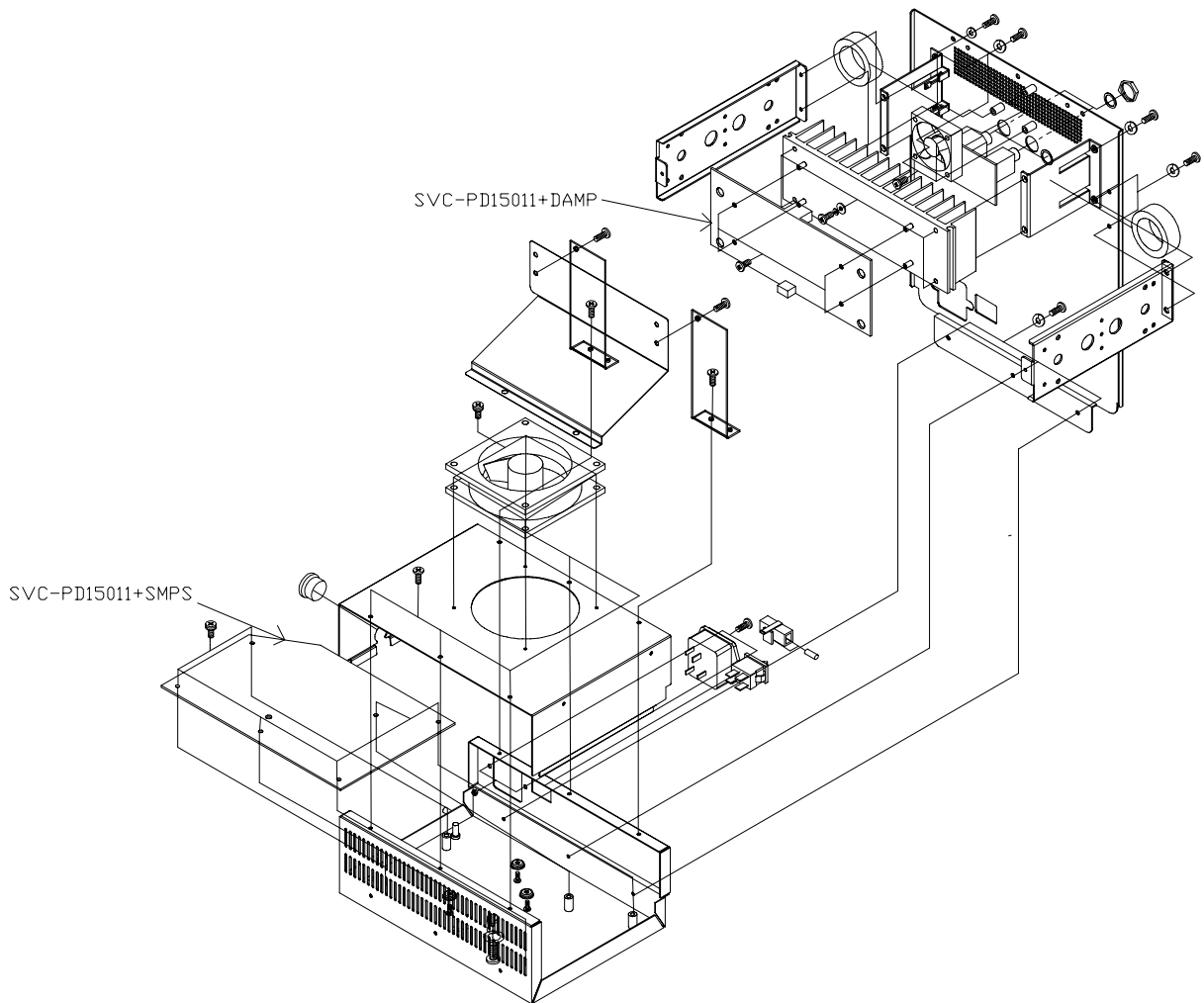
Fender **PASSPORT**
 Front Panel Assy Exploded View



Front Panel Assy Exploded View (3)

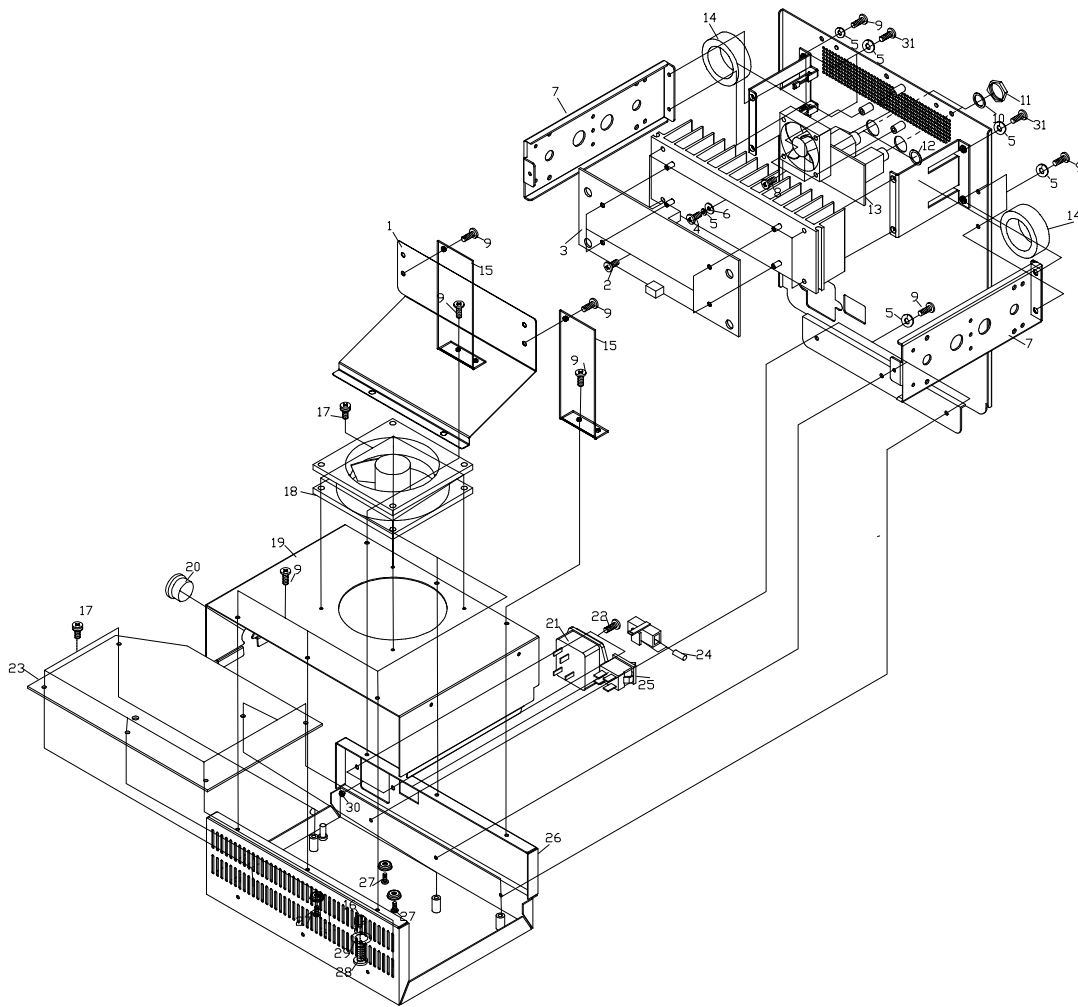
NO.	DESCRIPTION	PART NUMBER	QTY	NO.	DESCRIPTION	PART NUMBER	QTY
1	COVER-FRONT CD	REF	1	19	PCB ASSY DSP REVERB	0074508000	1
2	LENS-LCD 25.7X14.7X4.2	REF	1	20	SCREW B-TITE BIND HEAD M3X8	REF	6
3	FELT	REF	1	21	WASHER METAL M3X0.3X4 WZ	REF	6
4	COVER FELT	REF	1	22	METAL WASHER 2113-1340+0	REF	6
5	PC SHEET OVERLAY	REF	1	23	M9 NUT 2113-1340+0	REF	12
6	KNOB-SMALL	0074481000	24	24	FIBER WASHER M3X0.8X8MM	REF	3
7	PANEL-FRONT	REF	3	25	M2.6X6 M/C BH, BK	REF	2
8	KNOB-CD EFPAPD250	0074483000	1	27	BRACKET-CD FRONT	REF	1
9	INSULATION SHEET SHADE	REF	1	28	DECK-CD SLOT-IN	REF	1
10	MODULE LCD 3.3V W/GREEN	REF	1	29	DECK-CD SLOT-IN	REF	1
11	DISPLAY LCD 25X14X10 POS	REF	1	30	PCB CD SERVO ASSY	0074491000	1
12	INSULATION SHEET	REF	1	31	SCREW M2X4	REF	4
13	LENS TRANSMIT LIGHT 29X16X9	REF	1	32	SCREW M2.6X6	REF	2
14	PCB ASSY INP PD150 PLUS	0074493000	1				
15	SW COVER 2751-11-0	REF	1				
16	PCB ASSY MIX PD150 PLUS	0074495000	1				
17	CS-0813 PCB SUPPORT	REF	4				
18	S-TITE 3X8	REF	9				

Fender **PASSPORT**
Front Panel Assy Exploded View



Power Supply Assy Exploded View (1)

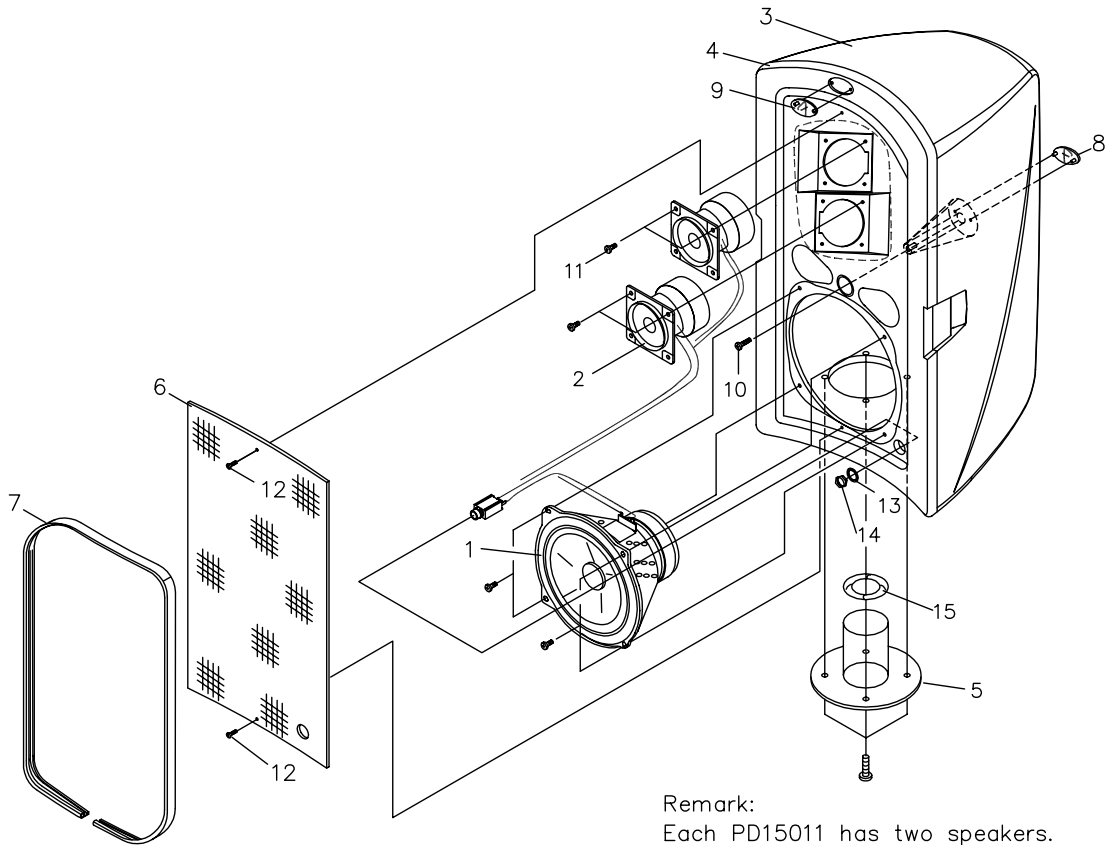
Fender **PASSPORT**
Power Supply Assy Exploded View



Power Supply Assy Exploded View (2)

NO.	DESCRIPTION	PART NUMBER	QTY	NO.	DESCRIPTION	PART NUMBER	QTY
1	FAN PANEL	REF	1	18	DC FAN	REF	1
2	SCREW 3X10	REF	4	19	COVER-TOP POWER	REF	1
3	D-AMP PCB ASSY	0074492000	1	20	HALD BUSHING	REF	1
4	SCREW 3X14	REF	4	21	POWER INLET SOCKET	REF	1
5	SPRING WASHER M3	REF	11	22	SCREW 3X10	REF	2
6	WASHER M3	REF	4	23	MODULE SMPS PCB	0074497000	1
7	MTG. BKT	REF	2	24	FUSE T3.15A 250V	REF	2
8	SCREW 3X14	REF	3	25	SWITCH ROCKER 2PIT	REF	1
9	SCREW 3X6	REF	15	26	COVER-BOTTOM	REF	1
10	SPEAKER PHONE JACK	REF	2	27	SCREW 3X6	REF	3
11	SPEAKER PHONE JACK	REF	2	28	SCREW 4X8	REF	1
12	WASHER M12	REF	2	29	WASHER METAL M4X0.8X10	REF	1
13	PCB OUTPUT JACK	0074507000	1	30	M3 NUT	REF	2
14	FERRITE CORE	REF	2	31	SCREW 3X8	REF	4
15	LOADER BRKT	REF	2				
16	SPACER	REF	1				
17	SCREW 3X10	REF	9				

Fender **PASSPORT**
 Power Supply Assy Exploded View

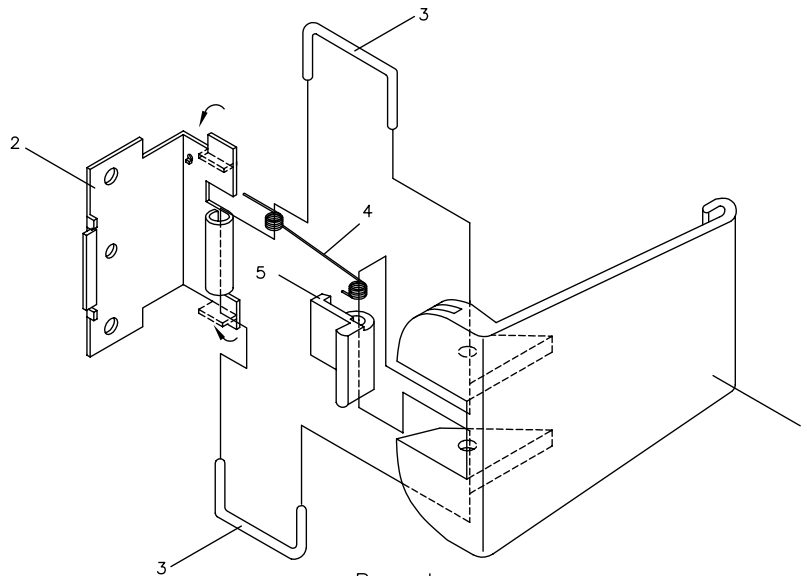


Remark:
Each PD15011 has two speakers.

Speaker Assy Exploded View

NO.	DESCRIPTION	PART NUMBER	QTY
1	PD150 8 OHM WOOFER	REF	1
2	PD150 TWEETER	REF	2
3	BACK PD150	REF	1
4	BAFFLE PD150	REF	1
5	STAND PLUG	REF	1
6	4132-4871-0 GRILLE	REF	1
7	7251-7-0 GASKET SPEAKER	REF	1
8	SPRUE CAP (BLK) PD15011	REF	1
9	SPEAKER BADGE (BLACK)	REF	1
10	SCREW B-TITE BH M4X14MM BZ CROSS	REF	1
11	SCREW TAP-C2 BH M4X10MM BZ CROSS	REF	8
12	SCREW B-TITE FLAT-CS M3X10MM BZ CROSS	REF	2
13	2666-12 M12 WASHER NI	REF	1
14	2666-11 M12 NUT NI	REF	1
15	O RING	REF	1

Fender **PASSPORT**
Speaker Assy Exploded View

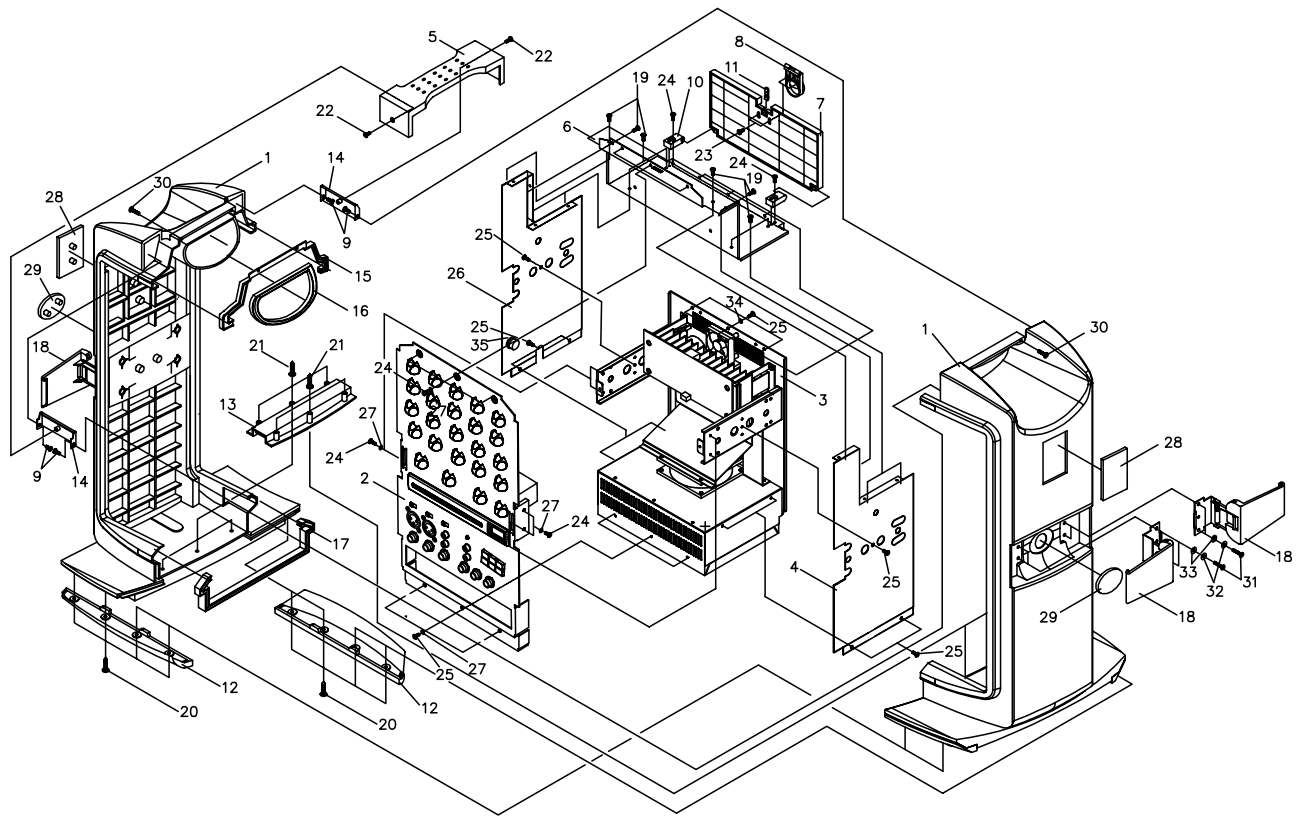


Remark:
Each PD150 PLUS has four sets of latch locker.

Latch Assy Exploded View

NO.	DESCRIPTION	PART NUMBER	QTY
1	1464-3500-0 LATCH	REF	1
2	4132-4681-0 LATCH BKT	REF	1
3	4132-4691-0 C PIN	REF	2
4	2751-5-0 SPRING-LATCH	REF	1
5	1464-3600-0 LATCH LICKER	REF	1

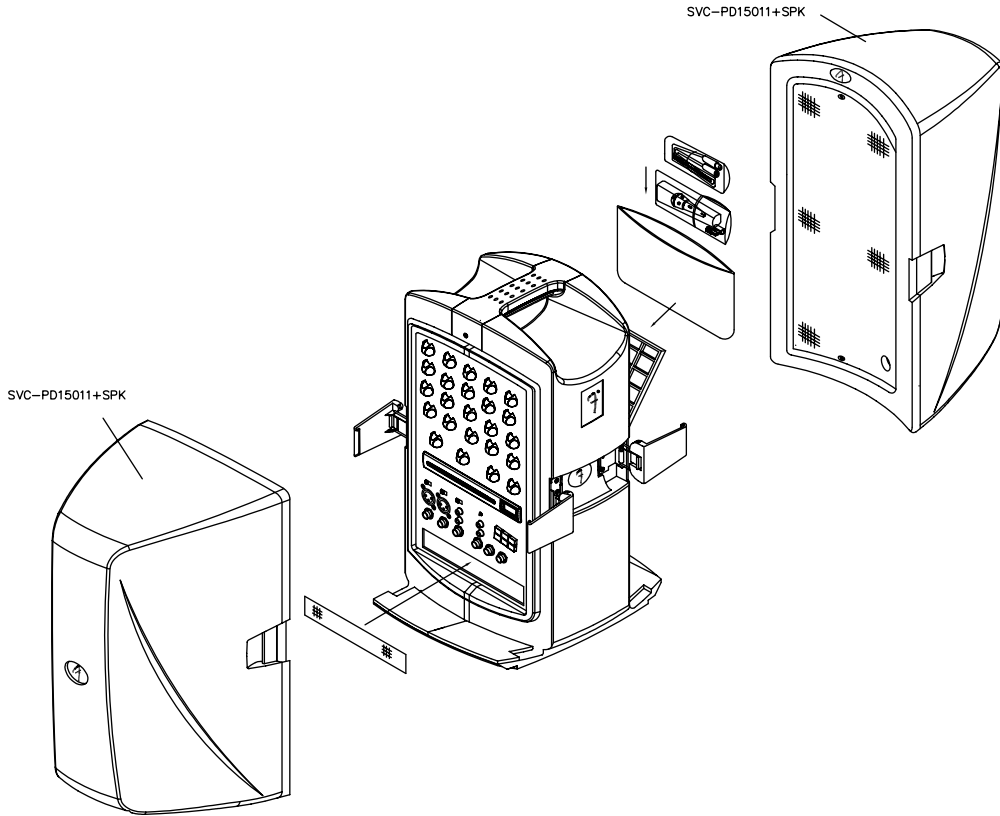
Fender **PASSPORT**
Latch Assy Exploded View



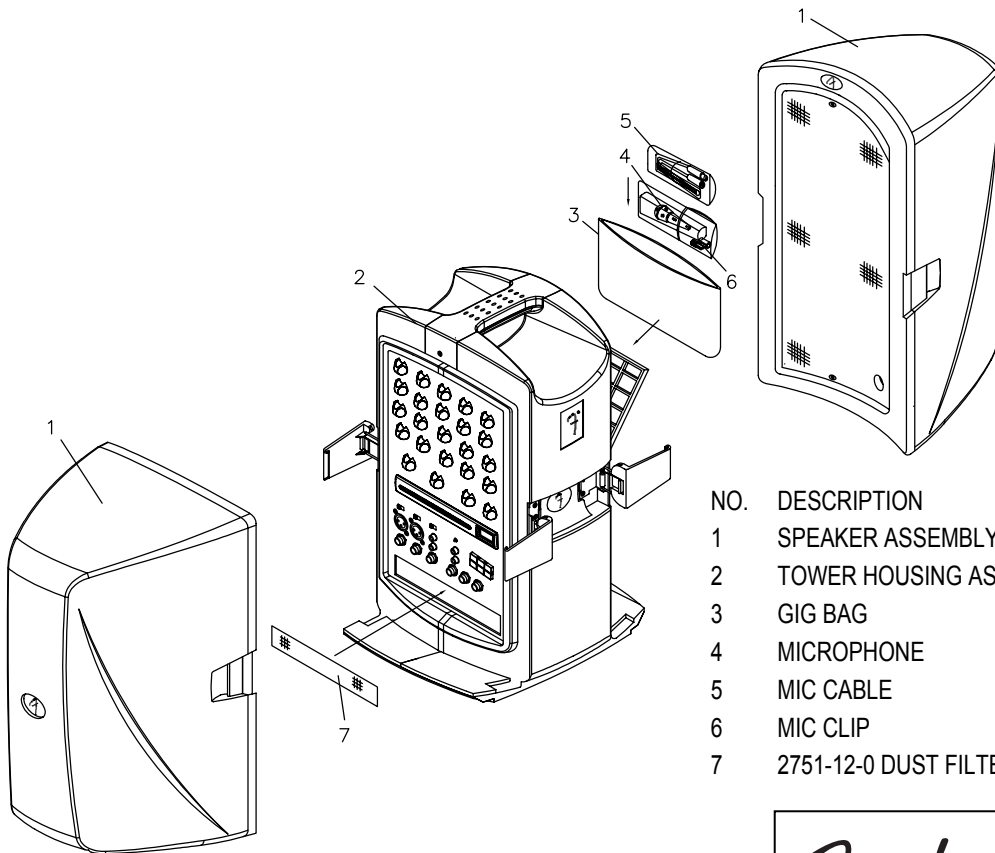
Tower Housing Assy Exploded View

NO.	DESCRIPTION	PART NUMBER	QTY	NO.	DESCRIPTION	PART NUMBER	QTY
1	CONSOLE PD 150	REF	2	21	SCREW B-TITE BH M4X14MM BZ	REF	6
2	2751-B6-0 FRONT PANEL EXPLODER	REF	1		CROSS		
3	2751-B5-0 POWER EXPLODER	REF	1	22	SCREW FLAT-CS M3X5MM BZ	REF	2
4	4132-4881-0 SIDE PLATE-B	REF	1		CROSS		
5	1464-3000-0 HANDLE COVER	REF	1	23	SCREW TAP-BT BH M2.6X6MM BZ	REF	2
6	4132-4791-0 PARTITION	REF	1		CROSS		
7	1464-3700-0 DOOR	REF	1	24	S-TITE 3X8 (BLK)	REF	9
8	1464-3800-0 LOCKER DOOR	REF	1	25	SCREW TAP-BT BH M3X6MM BZ	REF	12
9	F3X10MM SELF TAPPING	REF	4		CROSS		
10	1464-4200-0 HINGE	REF	2	26	4132-4871-0 SIDE PLATE-A	REF	1
11	2751-6-0 COMPRESSION SPRING	REF	1	27	METAL WASHER M3X0.5X8MM BZ	REF	10
12	FOOT STAND PD150	REF	2	28	FENDER BADGE PD150	REF	2
13	1464-3400-0 SUPPORT RIB	REF	1	29	SPRUE CAP (BLACK)	REF	2
14	4132-4901-0 HANDLE BKT	REF	2	30	4X16MM PA	REF	2
15	GASKET - TOP PD150	REF	1	31	SCREW S-TITE 4X16MM PH BLK ZINC	REF	8
16	GASKET - HANDLE PD150	REF	1	32	SPRING WASHER M4X0.8X6.5MM BZ	REF	8
17	GASKET - BOTTOM PD150	REF	1	33	METAL WASHER M4X0.8X10MM BZ	REF	8
18	2751-B7-0 LATCH LOCKER EXPLODER	REF	4	34	SPRING WAHSER M3X0.9X5.5MM BZ	REF	3
19	TTS SCREW M2.6X8 BH	REF	8	35	HALO BUSHING 0813C	REF	1
20	SCREW TAP-C2 BH M4X10MM BZ	REF	8				
	CROSS						

Fender **PASSPORT**
Tower Housing Assy Exploded View



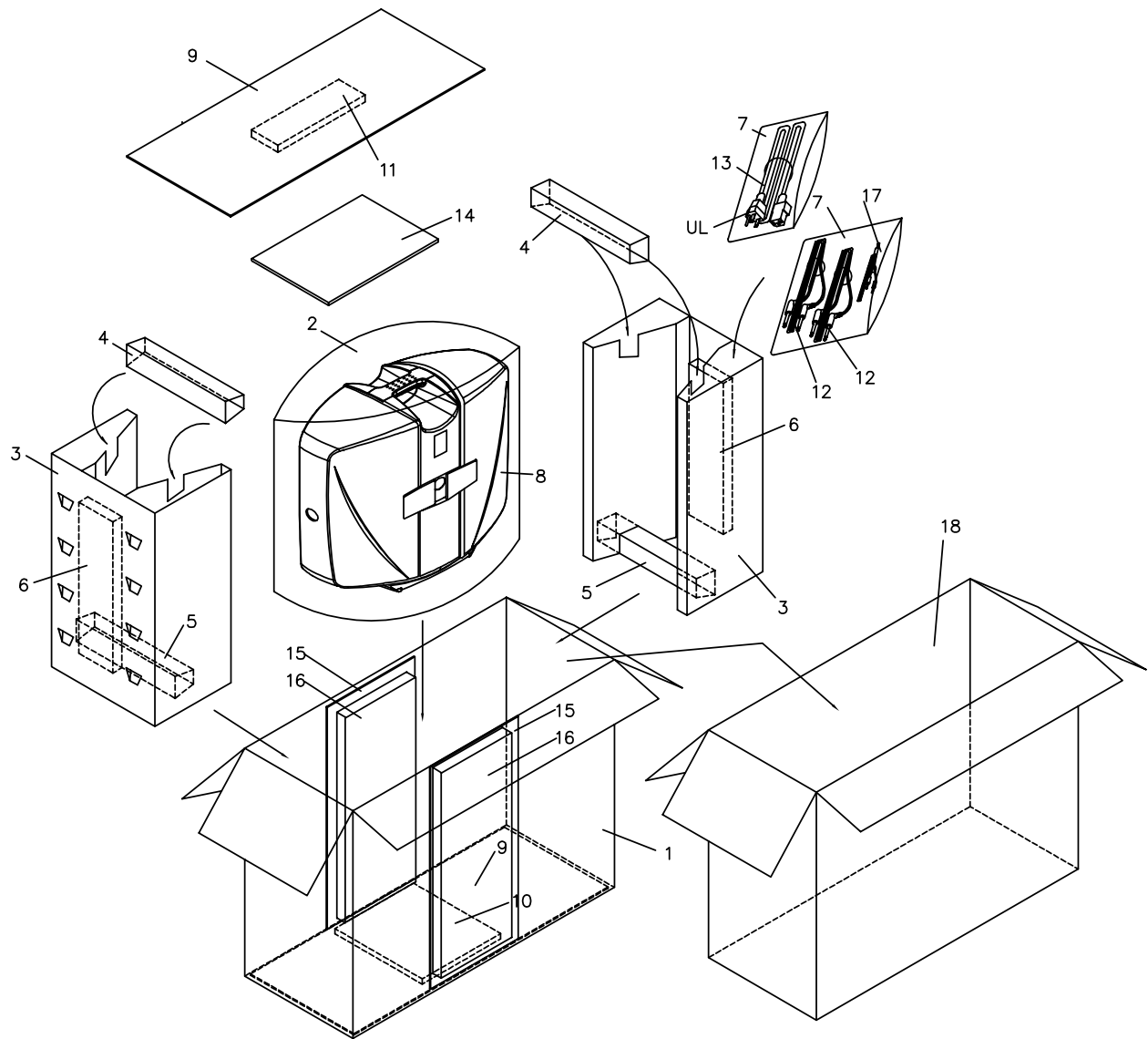
Main Unit Assy Exploded View (1)



Main Unit Assy Exploded View (2)

NO.	DESCRIPTION	PART NO.	QTY
1	SPEAKER ASSEMBLY	0074498000	2
2	TOWER HOUSING ASSEMBLY	REF	1
3	GIG BAG	REF	1
4	MICROPHONE	REF	1
5	MIC CABLE	REF	1
6	MIC CLIP	REF	1
7	2751-12-0 DUST FILTER	REF	1

Fender **PASSPORT**
Main Unit Assy Exploded View



Packing Assy Exploded View (2)

NO.	DESCRIPTION	PART NO.	QTY	NO.	DESCRIPTION	PART NO.	QTY
1	GIFT BOX PD150	REF	1	11	2751-P5-0 P.E. FOAM	REF	1
2	2751-P12-0 POLYBAG	REF	1	12	SPK CABLE MONO 90 ANGLE PLUG L=30FT	REF	2
3	2751-P1-0 INNER PAD	REF	2	13	SJT #18/3C 2M BLK POWER CORD	REF	1
4	2751-P2-0 INNER PAD	REF	2	14	OWNER'S MANUAL PD150	REF	1
5	2751-P3-0 INNER PAD	REF	2	15	INNER PAD 480X230X3 A-A	REF	2
6	2751-P4-0 P.E. FOAM	REF	2	16	PE FOAM-SIDE	REF	2
7	POLYBAG P.E. 04X10X10	REF	2	17	RCA CABLE	REF	1
8	PD150 UNIT	069-3005-000	1	18	OUTER CARTON	REF	1
9	2751-P7-0 CARTON BOARD	REF	2				
10	2751-P6-0 P.E. FOAM	REF	1				

Fender **PASSPORT**
Packing Assy Exploded View