



PASSPORT

POWERED PORTABLE
SOUND SYSTEM

Model: PD-250

SERVICE MANUAL

PN: 007-0399-000

FENDER PASSPORT

PN: 069-2001-003

CONTENTS

Specification	4
Theory of operation	5
Service notes and changes	7
Parts Lists:	
Mixer Board	8
1/4" Phone Jack Board	10
Mic/Line Board	10
Digital Reverb Board	11
Stereo Power Amp Board	12
Protection Board	13
RCA Tape Output Board	14
LED Indicator Board	14
Wireless REG Ass'y	14
SMPSU Board	14
Main Tower Ass'y	17
Wireless REG Casing Ass'y ..	19
Speaker Cabinet Ass'y	19
Packing Accessories	20
Quick Service Modules	20
Export Standard Spares Kit ...	21
Block Diagram	22
Schematic Diagrams	23
PCB Layout Drawings	27
Exploded View Diagrams	33



Fender Musical Instruments Corp.
7975 North Hayden Road
Scottsdale, AZ 85258

**THIS PAGE IS INTENTIONALLY
LEFT BLANK**



PASSPORT

POWERED PORTABLE
SOUND SYSTEM

SERVICE MANUAL

Feb. 2002 REV A

IMPORTANT NOTICE

The information contained herein is CONFIDENTIAL and PROPRIETARY to Fender Musical Instruments Co. It is disclosed solely for the use by qualified technicians for the purposes of equipment maintenance and service. It is not to be disclosed to others without the express written permission of Fender Musical Instruments Corporation. All specifications subject to change without notice.

For warranty repair service, only Fender specified part numbers are to be used. It is recommended they also be used for post-warranty maintenance and repair.

Parts marked with an asterisk(*) indicated the require use of that specific part. This is necessary for RELIABILITY and SAFETY requirements. **DO NOT USE A SUBSTITUTE!**

A coded naming convention is used in the description of certain parts. The codes and what they mean are as follows:

CAPACITOR CODES

CAP AE	= Aluminum Electrolytic
CAP CA	= Ceramic Axial
CAP CD	= Ceramic Disk
CAP MO	= Ceramic Monolithic
CAP MPF	= Metalized Polyester Film
CAP MY	= Mylar
CAP PFF	= Polyester Film/Foil

RESISTOR CODES

RES CC	= Carbon Comp
REW CF	= Carbon Film
RES FP	= Flame Proof
RES MF	= Metal Film
RES WW	= Wire Wound

HARDWARE CODES

BLX	= Black Oxide
CR	= Chrome Plated
HWH	= Hex Washer Head
M	= Machine Screw
NI	= Nickel Plated
OHP	= Oval Head Phillips
PHB	= Pan Head Phillips
PHPS	= Pan Head Phillips Sems
SMA	= Sheet Metal "A" Point
SMB	= Sheet Metal "B" Point
SS	= Stainless Steel
TF	= Thread Forming
ZI	= Zinc Plated



PASSPORT

POWERED PORTABLE
SOUND SYSTEM

SPECIFICATIONS

When we use the term dB to indicate a voltage amplification factor (gain), no reference is implied. 101 dB of Voltage Amplification means that if you take 20 times the Log (base 10) of the output voltage divided by the input voltage, the answer will be 101 dB

When we use the term dBu to indicate a voltage level, we are implying a 0.775 volt reference voltage level. Thus, a voltage level expressed as +4 dB was calculated by taking 20 times the log (base 10) of the actual voltage (1.23 volts) divided by the reference voltage (0.775 volts)

The choice of a 0.775 volt reference was not arbitrary. dBm is a common method of rating power levels (as opposed to our voltage level ratings). The 0 dBm reference is one milliwatt (1/1000th watt). If an output device produces 0 dBm into exactly 600 ohms, the voltage level is 0.775 volts. Thus, for true 600 ohm lines, the dBm power terminology and our dBu voltage terminology are equivalent.

Specifications are subject to change without notice.

System:

Frequency Response: 20Hz. to 40kHz \pm 1dB (at tape output)
30Hz. to 30kHz \pm 2dB (at speaker output with processor threshold exceeded)

Distortion: <0.05% 20Hz. to 20kHz. @ below rated output

Signal to Noise Ratio: >70dB @ 1W, DIN A

Processor Frequencies: Level sensitive with boost at 70Hz. and 15kHz.

Microphone EQ: Specially designed combinations of boost and cut.

Stereo EQ: \pm 12dB @ 50Hz., \pm 15dB @ 15kHz.

System EQ: Specially designed for differing acoustic environments.

Gain Stages: +54dB \pm 2dB (Microphone input to send outputs)
(Gain Switch set to high) +24dB \pm 2dB (line input to send output)
+0dB \pm 2dB (Stereo to tape output)
+12dB \pm 2dB (Stereo to send output)
+32dB \pm 2dB (Return to speaker output)

Power Output: 125W/CH @ 8 ohms with both channels driven with THD < 1%

Return Input Impedance: 47k ohms

Channel Separation: >40dB @ 1kHz.

Aux Return Sensitivity: 0dBu for rated output power @ 1kHz.



PASSPORT

POWERED PORTABLE
SOUND SYSTEM

THEORY OF OPERATION

MIXER SECTION

The mixer section is mainly made up of operational amplifiers as gain stages and therefore a technical description will not be used here. Following is a basic circuit description to familiarize you with the layout of the circuit.

The first section is made up of 4 microphone / line inputs each with a first stage preamplifier for balanced or unbalanced inputs (found on Mic input board), one knob contour control, auto-pad level control where the signal splits off into rev/aux send and main signals with the main signals going to a pan circuit. Here the main signal is split between left and right channel signal bus.

The second mixer section consists of two stereo pair inputs with RCA and 1/4" stereo phone jack connections. This circuit consists of an auto-pad level control, low frequency and high frequency tone controls, rev/aux send control and balance control with signals feeding the left and right audio bus.

The audio bus is connected to three FETs which perform ducking of the signals on the bus, with the exception of Channel One, which is the drive circuit for the VIP ducking circuit. This function is provided by U2A. Bus signals are buffered and drive the tape output connections and are directed by SW1A/B which performs the function of switching this signal as left and right main with reverb mix or left and right summed into left and aux signal on right channels. Main left and right level controls are auto-pad configuration and drive the send output connectors. **Note:** *Channel 1 Mic/Line reverb function will be affected by VIP control making announcements on Channel 1 dry.*

The mixer board also contains part of the signal processor circuit and the system EQ circuit for the power amplifier. These circuits are an integral part of the power amplifier and appear after the return signal path. These circuits will all be discussed later in this document.

Digital Reverb Section

The digital reverb section utilizes a digital reverb IC M65841SP (IC402) and one dual op amp (IC401A/B) to perform the reverb function. +5v regulation is on board with input voltage derived from the +15v supply. RC filters make up the timing functions and gain levels of the processor with regeneration and line driving provided by IC401A/B and regen mix provided by VR401 (this part may be fixed resistor on later models). Foot switch control of the reverb facility is provided and controlled by TR401 which controls the logic level at pin 2 of IC402. Reverb function is mono but fed to both right and left busses.

Signal Processor Circuit and System EQ Circuit

The signal processor is partially located on the mixer board but is an integral part of the power amplifier section. The operation of this circuit is performed by level detecting (Z204/207 on amp board) and storing (D204/205/209/210, C215, 230 on amp board) the output peaks of the power amplifier to create approximately 0v bias at the gate of FET Q4 and Q5 on the mixer board. This in turn changes the filter characteristics of circuits made up around U16A/B which at low levels boosts the low and high frequencies of the signal. At high signal levels with the gate voltages approaching or at 0v, the circuit becomes flat in response. This circuit is post return and therefore does not modify the response of the signal at the send outputs.



PASSPORT

POWERED PORTABLE
SOUND SYSTEM

THEORY OF OPERATION

Power Amplifier

NOTE: In cases where the amplifier circuits are identical between the left and right channel. Only components related to the left channel will be discussed for simplicity.

The first stage of the power amplifier after the processor is comprised of FET Q201 which performs muting during power up and down of the unit. This is accomplished by controlling the gate voltage of the FET Q201 and the charge on C203. At initial power up the FET is biased on as the voltage across the gate is basically 0Vdc. As the negative rail increases, Z201 and R204 apply a negative voltage to the gate biasing Q201 into the off state. At power down, the gate of Q201 is pulled high with R203 and D201 as the negative rail collapses.

The first stage of voltage amplification is performed by a discrete differential circuit comprised of Q202, 203, 204, 205. Each end of the differential pair provides drive to pre-driver complimentary transistors Q206, 209 and Q207, 210, the outputs of which are effectively summed through biasing transistor Q208 and VR202. It is interesting to note that if VR202 should become open circuited, bias current will be minimized and not destroy the output devices. Adjustment of VR202 is mainly to minimize crossover distortion at low signal levels as with conventional amplifiers. Gain of this stage is determined by $R217 (4.7k) / R205 (120)$ or $4.7K / 120 = 39.17$. In terms of dB we have, $20 \times \log$ (base 10) of $39.17 = 31.85$ dB. Distortion is minimized with negative feedback to one side of the differential pair allowing for low distortion. Typical distortion may be as low as 0.05% THD up to clipping.

The driver stage is a proprietary design which performs three main functions and is comprised of Q211, 213. Firstly, this stage utilizes a bootstrap circuit made up of Z202, 203, C210, 211, D202, 203 and R228. This circuit allows the driver transistors to swing above the rails eliminating the need for a higher voltage tap from the power supply and at the same time, minimizing the power dissipation in the drivers. Trickle current is supplied to the drivers during initial power up through R225, 226 after which the bootstrap takes over. Secondly, having the drivers in this configuration allow the output to swing closer to the rails and keeps the drivers from clipping before the output devices. The third function of this circuit is that if the speaker outputs are shorted to ground, the drive to the output devices is minimized since the bootstrap circuit is discharged and only the trickle current is supplied to the driver stage, thus protecting the amplifier SOA.

The output section is comprised of Q212, 215 and Q214, 216 in a two up and two down configuration further increasing the amplifier SOA. Additional output protection is provided by the switched mode power supply which is discussed later.



PASSPORT

POWERED PORTABLE
SOUND SYSTEM

THEORY OF OPERATION

Switch Mode Power Supply Unit (SMPSU)

This unit is not recommended to be serviced in the field except by replacing the complete module as a total assembly. The following information is provided to assist in the trouble shooting of the unit. **Please note that the mains fuse must be replaced with exactly the same grade of fuse for safety regulations and to avoid risk of damage and potential fire hazard.**

The mains input to the SMPSU allows for operation from 90-130V in 115V setting and 190-250V in the 230V setting. The output of the SMPSU is $\pm 15V$ DC to power the operation amplifiers and $\pm 51V$ dc for the main power supply rails of the power amplifier. The unit also has connectors for the LED status indicators, main power switch, amplifier protect circuit and auxiliaries $\pm 36V$ dc Input for an optional DC-DC converter for 12Vdc operation. **SERVICE TIP:** You can connect to the auxiliaries Input to test the output voltage to the rails before you open the set for service to get an indication of a possible power supply fault as it is connected to the rail output. Do not short these terminals.

The SMPSU incorporates several protection circuits other than the fuses, including over current protection in which the unit will shut down and the protect LED will light and must be reset with the main power switch. Secondly, the unit will protect itself if the voltage on the rails sags to below $\pm 33V$ dc after which it will go into protect mode. The reason for this is that during normal operation with 8 ohm loading, the rails will remain at about $\pm 48V$ dc and with 4 ohm loading are allowed by design to sag to around 36V at full output. If loads lower than this are applied, either the rails will sag lower or the current will be exceeded and the unit will go into the protection mode. The protection PCB connected to the amplifier board serves this purpose.

Service Notes on Changes and Updates

Mixer Board VIP circuit values for Z1 and R11 have been changed from 4.7V to 10V and 2.2M to 1M respectively after the first 100 sets production. This allows more even channel ducking and shorter ducking recovery time. Please update early sets if returned for service.

Stereo Power Amplifier circuit values for Z201, and R206 have been changed from 4.7V to 6.8V and 10K to 1K respectively after the first 100 sets production. These changes improve turn off transient pop noise. Please update early sets if returned for service.

Digital Reverb circuit value for VR401 is a fixed resistor with a value of 18K. This resistor controls the reverberation regeneration feedback and its value may vary from model to model depending on the local requirements.



PASSPORT

POWERED PORTABLE
SOUND SYSTEM

PARTS LIST

MIXER SECTION PRINTED CIRCUIT BOARD ASSEMBLY

QTY	PART #	DESCRIPTION	REFERENCE DESIGNATION
18	007-0001-000	GP IC DUAL OP AMP TL072/T1	U1, 2, 3, 4, 5, 6, 7, 8, 9, 10, 11,12,13, 14, 15, 16, 17, 18
6	007-0002-000	GP DIODE 1N4148	D1,2,3,4,5,6
2	007-0003-000	GP DIODE ZENER 10V 1/2W 5%	Z1
5	007-0004-000	GP XSTR N-CH JFET J112 TO-92	Q1,2,3,4,5
1	007-0022-000	GP WIRE AWG#22	@VR 3A PIN 2 TO 3
6	007-0005-000	GP CAP MY .0015μF 100V 10%	C2,14,23,32,79,82
4	007-0006-000	GP CAP MY .0047μF 100V 10%	C86 ,87,88,89
6	007-0007-000	GP CAP MY .001μF 100V 10%	C46,47,59,60,74,76
4	007-0008-000	GP CAP MY .015μF 100V 10%	C3,15,24,33
4	007-0009-000	GP CAP MY .022μF 100V 10%	C48,49,61,62
4	007-0010-000	GP CAP MY .047μF 100V 10%	C92,93,94,95
2	007-0012-000	GP CAP CD 22pF 50V 10%	C70,71
14	007-0013-000	GP CAP CD 33pF 50V 10%	C7,9,19,21,28,30,39,42,43,52,55,56,65
8	007-0014-000	GP CAP CD 47pF 50V 10%	C5,17,26,35,50,51,63,64
2	007-0015-000	GP CAP CD 100pF 50V 10%	C78,81
4	007-0016-000	GP CAP CD 680pF 50V 10%	C4,16,25,34
22	007-0017-000	GP CAP AE 1μF 50V 20%	C6,8,10,18,20,27,29,36,38,40,41,44, 45, 53, 54, 57,58,69,72,73,84,85
13	007-0018-000	GP CAP AE .47μF 50V 20%	C1,13,22,31,66,67,68,75,77,80,83
1	007-0019-000	GP CAP AE 10μF 25V 20%	C12
3	007-0020-000	GP RES CF 1/8W 5% 100Ω	R102,103,106
3	007-0021-000	GP RES CF 1/8W 5% 470Ω	R88,89,90
1	007-0022-000	GP RES CF 1/8W 5% 680Ω	R9
2	007-0023-000	GP RES CF 1/8W 5% 1K	R117,118
1	007-0024-000	GP RES CF 1/8W 5% 2.2K	R10
2	007-0400-000	GP RES CF 1/8W 5% 3.3K	R119,121
8	007-0026-000	GP RES CF 1/8W 5% 6.8K	R120,122,125,126,127,128,137,138
10	007-0027-000	GP RES CF 1/8W 5% 10K	R57,58,74,75,83,85,95,99,100,104
4	007-0028-000	GP RES CF 1/8W 5% 12K	R1,12,23,24
4	007-0029-000	GP RES CF 1/8W 5% 15K	R5,16,27,38
1	007-0030-000	GP RES CF 1/8W 5% 20K	R101
2	007-0401-000	GP RES CF 1/8W 5% 22K	R139,140
12	007-0031-000	GP RES CF 1/8W 5% 27K	R47,49,50,51,53,54,64,66,67,68,70,71
1	007-0032-000	GP RES CF 1/8W 5% 30K	R105
6	007-0033-000	GP RES CF 1/8W 5% 33K	R97,98,129,131,133,135
12	007-0034-000	GP RES CF 1/8W 5% 39K	R2,3,13,15,24,26,35,37,45,46,62,63
9	007-0035-000	GP RES CF 1/8W 5% 47K	R48,52,65,69,81,109,112,123,124
8	007-0036-000	GP RES CF 1/8W 5% 68K	R6,17,28,39,55,56,72,73



PASSPORT

POWERED PORTABLE
SOUND SYSTEM

PARTS LIST

MIXER SECTION PRINTED CIRCUIT BOARD ASSEMBLY CONTINUED

QTY	PART #	DESCRIPTION	REFERENCE DESIGNATION
13	007-0037-000	GP RES CF 1/8W 5% 82K	R4, 4,1 9, 21, 22, 25, 30, 32, 33, 36, 41, 43, 44
20	007-0038-000	GP RES CF 1/8W 5% 100K	R7,8,18,20,29,31,40,42,79, 80, 86, 87, 94, 96, 107, 108, 130, 132, 134, 136
8	007-0039-000	GP RES CF 1/8W 5% 120K	R59,60,61,76,77,78,82,84
2	007-0402-000	GP RES CF 1/8W 5% 150K	R141,142
2	007-0040-000	GP RES CF 1/8W 5% 470K	R111,114
8	007-0041-000	GP RES CF 1/8W 5% 1M	R11, 91,92,93,110,113,115,116
4	007-0043-000	GP JUMPER WIRE .6MM X 4MM	
7	007-0044-000	GP JUMPER WIRE .6MM X 5MM	
42	007-0045-000	GP JUMPER WIRE .6MM X 6MM	
11	007-0046-000	GP JUMPER WIRE .6MM X 7MM	
32	007-0047-000	GP JUMPER WIRE .6MM X 8MM	
4	007-0048-000	GP JUMPER WIRE .6MM X 9MM	
27	007-0049-000	GP JUMPER WIRE .6MM X 10MM	
3	007-0050-000	GP JUMPER WIRE .6MM X 11MM	
15	007-0051-000	GP JUMPER WIRE .6MM X 12MM	
3	007-0052-000	GP JUMPER WIRE .6MM X 13MM	
5	007-0053-000	GP JUMPER WIRE .6MM X 14MM	
3	007-0054-000	GP JUMPER WIRE .6MM X 15MM	
3	007-0055-000	GP JUMPER WIRE .6MM X 16MM	
2	007-0056-000	GP JUMPER WIRE .6MM X 17MM	
1	007-0057-000*	GP CABLE JMPR 3CKT UL2547 380MM	CN6
3	007-0058-000*	GP CABLE JMPR 3CKT UL2547 320MM	CN2,3,5
1	007-0059-000*	GP CABLE JMPR 8CKT UL1007 450MM	
1	007-0060-000*	GP WIRE AWG#18 BLACK UL1007 200MM	
1	007-0061-000	GP JM2422-2M WAFER CONNECTOR	CN13
1	007-0062-000	GP JM24182-6P WAFER CONNECTOR	CN4
1	007-0063-000	GP JM24182-12P WAFER CONNECTOR	CN1
14	007-0082-000	GP CONTROL VERT 100K X 2 B	VR2A,3A,4A,7A,8A,11A,12A,15A, 16A, 18A/B, 21A/B, 25A, 27A, 30A
17	007-0083-000	GP CONTROL VERT 100K X 2 B W/DETENT	VR1A,5A/B,6A,9A/B,10A,13A/B, 14A, 17A/B, 19A/B, 20A/B, 22A/B, 23A/B, 24A, 26A, 28A, 29A, 31A/B
1	007-0084-000	GP SWITCH SLIDE 2P2T PCB SHORTING	SW2A/B
4	007-0085-000	GP NY PCB STANDOFF (REVERB BOARD)	
1	007-0064-000	GP PCB ASSY MIXER PD250	(RAW BOARD)
1	007-0403-000	GP PCB ASSY MIXER PD250	(STUFFED)



PASSPORT

POWERED PORTABLE
SOUND SYSTEM

PARTS LIST

1/4" PHONE JACK SECTION PRINTED CIRCUIT BOARD ASSEMBLY

QTY	PART #	DESCRIPTION	REFERENCE DESIGNATION
2	007-0020-000	GP RES CF 1/8W 5% 100Ω	R529,530
1	007-0046-000	GP JUMPER WIRE .6MM X 7MM	
1	007-0051-000	GP JUMPER WIRE .6MM X 12MM	
1	007-0065-000*	GP CABLE JMPR 12CKT UL1007 300MM	CN1
2	007-0060-000*	GP WIRE AWG#18 BLACK UL1007 300MM	CN14,15
5	007-0066-000	GP JM24182-3P WAFER CONNECTOR	CN2,9,10,11,12
1	007-0062-000	GP JM24182-6P WAFER CONNECTOR	CN5
7	007-0067-000	GP JACK PCB STEREO	PJ1,2,3,4,5,6,7
10	007-0068-000	GP JACK PCB MONO	PJ8,9,10,11,12,13,14,15,16,17
1	007-0217-000	GP CABLE JMPR 12CKT AWG#18 OFC 600MM	TO AMP SPEAKER OUTPUT CN13
1	007-0069-00	GP PCB ASSY PHONE JACK	(RAW BOARD)
1	0070404-000	GP PCB ASSY PHONE JACK	(STUFFED)

MIC/LINE AMPLIFIER SECTION PRINTED CIRCUIT BOARD ASSEMBLY

QTY	PART #	DESCRIPTION	REFERENCE DESIGNATION
4	007-0071-000	GP IC DUAL OP AMP LM833	U501,502,503,504
16	007-0002-000	GP DIODE IN4148	D501,502,503,504,505,506,507,508 509,510,511,512,513,514,515,516
4	007-0015-000	GP CAP CD 100pF 50V 10%	C503,506,509,512
8	007-0072-000	GP CAP AE 2.2μF 50V 20%	C501,502,504,505,507,508,510,511
2	007-0073-000	GP CAP MY .1μF 100V 10%	C513,514
8	007-0023-000	GP RES CF 1/8W 5% 1K	R503,504,510,511,517,518,524,525
20	007-0033-000	GP RES CF 1/8W 5% 33K	R501, 502, 505, 506, 507, 508, 509, 512, 513, 514, 515, 516, 519, 520, 521, 522, 523, 526, 527, 528
5	007-0045-000	GP JUMPER WIRE .6 X 6MM	
5	007-0046-000	GP JUMPER WIRE .6 X 7MM	
1	007-0047-000	GP JUMPER WIRE .6 X 8MM	
4	007-0074-000	GP CABLE WIRE 3CKT UL2547 100MM	@ MIC PCB CN9,10,11,12
1	007-0075-000	GP CABLE JMPR 6CKT UL2547 180MM	CN4
1	007-0076-000	GP CABLE JMPR 5CKT UL2547 280MM	
1	007-0077-000	GP CONNECTOR SPADE TAB (GROUND)	
4	007-0078-000	GP JACK XLR PC 90 DEFREE	MIC INPUT MIC1,2,3,4
1	007-0079-000	GP JACK RCA PC 90 DEFREE 4 CKT	STEREO INPUT RCA1
1	007-0080-000	GP PCB ASSY MIC PREAMP	(RAW BOARD)
1	007-0081-000	GP PCB ASSY MIC PREAMP	(STUFFED)



PASSPORT

POWERED PORTABLE
SOUND SYSTEM

PARTS LIST

DIGITAL REVERB SECTION PRINTED CIRCUIT BOAED ASSBMLY

QTY	PART #	DESCRIPTION	REFERENCE DESIGNATION
1	007-0086-000	GP IC DIGITAL REVERB M65841SP	IC402
1	007-0001-000	GP IC DUAL OP AMP TL072/T1	IC401
1	007-0087-000	GP IC REGULATOPR +5V NJM78L05 TO-92	IC403
1	007-0088-000	GP XSTR NPN 9012G/H TO-92	Q401
1	007-0089-000	GP CAP MY .0056μF 100V 10%	C406
3	007-0010-000	GP CAP MY .047μF 100V 10%	C408,409,410
6	007-0011-000	GP CAP MY .01μF 100V 10%	C412,414,416,418,427,429
2	007-0090-000	GP CAP MY .1μF 50V 20%	C420,423
6	007-0091-000	GP CAP MY .33μF 50V 20%	C411,413,415
2	007-0092-000	GP CAP CD 27pF 50V 10%	C424,425
2	007-0093-000	GP CAP CD 560pF 50V 10%	C404,407
2	007-0339-000	GP CAP MO .033μF 50V 10%	C402, 403
1	007-0019-000	GP CAP AE 10μF 25V 20%	C419
1	007-0094-000	GP CAP AE 47μF 10V 20%	C422
1	007-0095-000	GP CAP AE 100μF 10V 20%	C421
1	007-0096-000	GP CAP AE NP 1μF 50V 20%	C405
3	007-0097-000	GP RES CF 1/8W 5% 33Ω	R411,413,415
2	007-0023-000	GP RES CF 1/8W 5% 1K	R428,429
2	007-0098-000	GP RES CF 1/8W 5% 3.3K	R401,425
3	007-0025-000	GP RES CF 1/8W 5% 4.7K	R412,414,416
6	007-0099-000	GP RES CF 1/8W 5% 7.5K	R418,420,422
3	007-0027-000	GP RES CF 1/8W 5% 10K	R402,408,426
7	007-0029-000	GP RES CF 1/8W 5% 15K	R403,404,405,406,407,409,410
3	007-0035-000	GP RES CF 1/8W 5% 47K	R432,433,434
6	007-0100-000	GP RES CF 1/8W 5% 75K	R417,419,421
1	007-0038-000	GP RES CF 1/8W 5% 100K	R427
1	007-0041-000	GP RES CF 1/8W 5% 1M	R430
1	007-0101-000	GP CERAMIC RESONATOR 4.19MHz	X401
4	007-0045-000	GP JUMPER WIRE .6MM X 6MM	
1	007-0047-000	GP JUMPER WIRE .6MM X 8MM	
1	007-0049-000	GP JUMPER WIRE .6MM X 10MM	
1	007-0053-000	GP JUMPER WIRE .6MM X 14MM	
1	007-0062-000	GP JM24182-6P WAFER CONNECTOR	CN7
1	007-0103-000	GP PCB ASSY REVERB	(RAW BOARD)
1	007-0104-000	GP PCB ASSY REVERB	(STUFFED)



PASSPORT

POWERED PORTABLE
SOUND SYSTEM

PARTS LIST

STEREO POWER AMPLIFIER SECTION PRINTED CIRCUIT BOARD ASSYMBLY

QTY	PART #	DESCRIPTION	REFERENCE DESIGNATION
2	007-0105-000	GP SPRING COIL (INDUCTOR)	L201,202
2	007-0004-000	GP XSTR N-CH JFET J112 TO-92	Q201,217
8	007-0106-000	GP XSTR NPN MPSA06 TO-92	Q202,203,206,208,218,219,222,224
6	007-0107-000	GP XSTR PNP MPSA56 TO-92	Q204,205,209,220,221,225
2	007-0108-000	GP XSTR NPN MPSA43 TO-92	Q210,226
2	007-0109-000	GP XSTR PNP MPSA93 TO-92	Q207,223
2	007-0110-000	GP XSTR NPN BD139 TO-126	Q211,227
2	007-0111-000	GP XSTR PNP BD140 TO-126	Q213,229
4	007-0112-000	GP XSTR NPN 2SC5242(0) TO-3P	Q212,215,228,231
4	007-0113-000	GP XSTR PNP 2SA1962(0) TO-3P	Q214,216,230,232
10	007-0002-000	GP DIODE IN4148	D201, 202, 203, 204, 205, 206, 207, 208, 209, 210
2	007-0114-000	GP DIODE ZENER 33V 1/2W 5%	Z204,207
1	007-0351-000	GP DIODE ZENER 6.8V 1W 5%	Z201,value may vary by model
4	007-0115-000	GP DIODE ZENER 4.7V 1W 5%	Z202,203,205,206
4	007-0014-000	GP CAP CD 47pF 50V 10%	C207,209,222,224
2	007-0015-000	GP CAP CD 100pF 50V 10%	C201,216
2	007-0116-000	GP CAP CD 220pF 50V 10%	C208,223
2	007-0117-000	GP CAP CD 470pF 50V 10%	C204,219
2	007-0118-000	GP CAP CD 1000pF 50V 10%	C231,232
2	007-0073-000	GP CAP MY .1μF 50V 20%	C214,229
4	007-0017-000	GP CAP AE 1μF 50V 20%	C202,203,217,218
2	007-0119-000	GP CAP AE 47μF 50V 20%	C215,230
4	007-0120-000	GP CAP AE 10μF 63V 20%	C212,213,227,228
4	007-0121-000	GP CAP AE 100μF 16V 20%	C205,206,220,221
4	007-0122-000	GP CAP AE 1000μF 16V 20%	C210,211,225,226
4	007-0123-000	GP RES CC 1/4W 5% 100Ω	R219,222,248,251
2	007-0124-000	GP RES CC 1/4W 5% 120Ω	R205,234
4	007-0125-000	GP RES CC 1/4W 5% 150Ω	R214,218,243,247
1	007-0023-000	GP RES CC 1/4W 5% 1K	R206, value may vary by model
6	007-0126-000	GP RES CC 1/4W 5% 1.5K	R207,211,216,236,240,245
2	007-0127-000	GP RES CC 1/4W 5% 3.9K	R215,244
2	007-0128-000	GP RES CC 1/4W 5% 5.6K	R203,232
2	007-0130-000	GP RES CC 1/4W 5% 12K	R202,231
4	007-0131-000	GP RES CC 1/4W 5% 47K	R201,213,230,242
8	007-0132-000	GP RES CC 1/4W 5% 120K	R208,209,210,212,237,238,239,241
2	007-0133-000	GP RES CC 1/4W 5% 3.3M	R204,233
2	007-0134-000	GP RES CC 1/2W 5% 1K	R229,258
2	007-0135-000	GP RES CC 1/2W 5% 4.7K	R217,246
2	007-0136-000	GP RES CC 2W 5% 4.7Ω	R227,256
4	007-0137-000	GP RES CC 2W 5% 6.8K	R225,226,254,255



PASSPORT

POWERED PORTABLE
SOUND SYSTEM

PARTS LIST

STEREO POWER AMPLIFIER SECTION PRINTED CIRCUIT BOARD ASSYMBLY CONTINUED

QTY	PART #	DESCRIPTION	REFERENCE DESIGNATION
8	007-0138-000	GP RES WW 5W 5% .22Ω	R220,221,223,224,249,250,252,253
2	007-0139-000	GP RES WW 5W 5% 270Ω	R228,257
2	007-0140-000	GP RES SEMI-FIX 200Ω	VR202,204
2	007-0137-000	GP RES SEMI-FIX 100K	VR201,203
1	007-0061-000	GP JM2422-2M WAFER CONNECTOR	SPEAKER CONNECTOR
1	007-0338-000	GP JM2422-4M WAFER CONNECTOR	+/-50V CONNECTOR + GROUND
2	007-0066-000	GP JM24182-3M WAFER CONNECTOR	FROM PROCESSOR BOARD
1	007-0044-000	GP JUMPER WIRE .6MM X 5MM	
9	007-0045-000	GP JUMPER WIRE .6MM X 6MM	
5	007-0047-000	GP JUMPER WIRE .6MM X 8MM	
3	007-0049-000	GP JUMPER WIRE .6MM X 10MM	
3	007-0051-000	GP JUMPER WIRE .6MM X 12MM	
4	007-0053-000	GP JUMPER WIRE .6MM X 14MM	
2	007-0055-000	GP JUMPER WIRE .6MM X 16MM	
1	007-0141-000	GP JUMPER WIRE .6MM X 18MM	
4	007-0142-000	GP JUMPER WIRE .8MM X 16MM	
1	007-0143-000	GP PCB ASSY POWER AMPLIFIER	(RAW BOARD)
1	007-0144-000	GP PCB ASSY POWER AMPLIFIER	(STUFFED)

AMPLIFIER PROTECTION CIRCUIT PRINTED CIRCUIT BOARD ASSYMBLY

QTY	PART #	DESCRIPTION	REFERENCE DESIGNATION
1	007-0108-000	GP XSTR NPN MPSA56 TO-92	Q601
1	007-0002-000	GP DIODE IN4148	D601
1	007-0145-000	GP DIODE ZENER 5.1V 1/2W 5%	Z602
1	007-0146-000	GP DIODE ZENER 12V 1/2W 5%	Z601
1	007-0147-000	GP DIODE ZENER 15V 1/2W 5%	Z603
1	007-0121-000	GP CAP AE 100uF 16V 20%	C601
1	007-0148-000	GP RES CC 1/8W 5% 3.3K	R604
2	007-0129-000	GP RES CC 1/8W 5% 10K	R601,603
1	007-0147-000	GP RES CC 1/8W 5% 100K	R605
1	007-0135-000	GP RES CC 1/2W 5% 4.7K	R602
1	007-0150-000	GP PCB ASSY AMPLIFIER PROTECT	(RAW BOARD)
1	007-0151-000	GP PCB ASSY AMPLIFIER PROTECT	(STUFFED)



PASSPORT

POWERED PORTABLE
SOUND SYSTEM

PARTS LIST

RCA TAPE OUTPUT PRINTED CIRCUIT BOARD ASSYMBLY

QTY	PART #	DESCRIPTION	REFERENCE DESIGNATION
1	007-0066-000	GP JM24182-3P WAFER CONNECTOR	TO PROCESSOR BOARD
1	007-0152-000	GP JACK RCA PC 90 DEGREE 2 CKT	TAPE OUTPUT
1	007-0153-000	GP PCB ASSY TAPE OUTPUT	(RAW BOARD)
1	007-0154-000	GP PCB ASSY TAPE OUTPUT	(STUFFED)

LED INDICATORS PRINTED CIRCUIT BOAED ASSYBMLY

QTY	PART #	DESCRIPTION	REFERENCE DESIGNATION
1	007-0155-000	GP LED GREEN 3MM DIFFUSED (POWER)	D27
1	007-0156-000	GP LED RED 3MM DIFFUSED (PROTECT)	D23
4	007-0157-000	GP INSULATION SLEEVE .5MM X 4MM	LED LEADS1
1	007-0257-000	GP JM24182-4P WAFER CONNECTOR	TO SMPSU
1	007-0158-000	GP PCB ASSY LED INDICATORS	(RAW BOARD)
1	007-0159-000	GP PCB ASSY LED INDICATORS	(STUFFED)

WIRELESS REG ASSEMBLY PRINTED CIRCUIT BOARD ASSEMBLY

QTY	PART #	DESCRIPTION	REFERENCE DESIGNATION
1	007-0090-000	GP CAP MO .1 μ F 50V 10%	C601
1	007-0017-000	GP CAP AE 1 μ F 50V 20%	C602
1	007-0227-000	GP JM24182-2P WAFER CONNECTOR	CN601,602
1	007-0363-000	GP IC LM317HVT NS REGULATOR	U601
1	007-0364-000	GP RMF 1/4W 1.3K	1% AT R601
1	007-0365-000	GP RMF 1/4W 240R	1% AT R602
1	007-0366-000	GP PCB REG ASSY	(RAW BOARD)
1	007-0367-000	GP PCB REG ASSY	(STUFFED)

SWITCH MODE PSU CIRCUIT PRINTED CIRCUIT BOAED ASSYBMLY

QTY	PART #	DESCRIPTION	REFERENCE DESIGNATION
1	007-0160-000	GP TRANSFORMER EE-16	T4
1	007-0161-000	GP CHOKE COIL TOROID 18 X12X 6MM	L4
1	007-0162-000	GP TRANSFORMER TOROID 18 X12X 6MM	T1
2	007-0163-000	GP CHOKE COIL TOROID T80-26	L1,2
1	007-0164-000	GP CHOKE COIL EE-35 COM MODE	L3



PASSPORT

POWERED PORTABLE
SOUND SYSTEM

PARTS LIST

**SWITCH MODE PSU CIRCUIT
PRINTED CIRCUIT BOAED ASSYBMLY
CONTINUED**

QTY	PART #	DESCRIPTION	REFERENCE DESIGNATION
1	007-0165-000	GP CHOKE COIL TOROID T50-90	L5
1	007-0166-000	GP CHOKE COIL TOROID 12 X6 X4MM RF	L102
1	007-0167-000	GP TRANSFORMER EE-28 50/60Hz	50 Hz TRF
1	007-0168-000	GP TRANSFORMER EE-42 130Hz	T3
1	007-0169-000	GP CHOKE COIL TOROID T30-40 RF	L101
1	007-0171-000	GP IC SWITCH MODE CONT.UC3842AN	U3
1	007-0172-000	GP IC REGULATOR +15V NJM7815 TO-220	U2
1	007-0173-000	GP IC REGULATOR -15V NJM7915 TO-220	U1
5	007-0174-000	GP DIODE IN4001	D15,16,18,25,26
5	007-0002-000	GP DIODE IN4148	D9,19,21,22,24
1	007-0175-000	GP DIODE RECTIFIER BRIDGE BR108	D1
4	007-0176-000	GP DIODE MUR1540 FAST RECOVER	D10,11,12,13
1	007-0114-000	GP DIODE ZENER 30V 1/2W 5%	Z80
4	007-0178-000	GP XATR POWER FET IRF840	Q1,2,3,4
3	007-0179-000	GP XATR NPN 2N3904 TO-92	Q5,7,8
1	007-0180-000	GP XATR PNP 2N3906 TO-92	Q6
2	007-0011-000	GP CAP MY .01µF 100V 10%	C25,27
1	007-0007-000	GP CAP MY .001µF 100V 10%	C23
1	007-0006-000	GP CAP MY .0047µF 100V 10%	C24
1	007-0181-000	GP CAP MY .0022µF 100V 10%	C26
6	007-0092-000	GP CAP MO .1µF 50V 20%	C17,18,20,22,28,32
5	007-0119-000	GP CAP AE 47µF 50V 20%	C13,14,15,16,30
1	007-0072-000	GP CAP AE 2.2µF 50V 20%	C29
1	007-0182-000	GP CAP AE 100µF 50V 20%	C31
1	007-0183-000	GP CAP AE 470µF 25V 20%	C8
2	007-0184-000	GP CAP AE 470µF 63V 20%	C11,12
2	007-0185-000	GP CAP AE 560µF 250V 20%	C5,6
1	007-0186-000	GP CAP CD 100pF 1kV 10%	C7
2	007-0187-000	GP CAP CD 470pF 1kV 10%	C9,10
2	007-0188-000	GP CAP mpf .33µF 275V 20%	C1,2
2	007-0189-000	GP CAP CD 330pF 400V 20%	C3,4 value may vary by model
1	007-0190-000	GP RES CC 1/4W 5% 22	R18
4	007-0191-000	GP RES CC 1/4W 5% 51	R4,5,7,8
1	007-0192-000	GP RES CC 1/4W 5% 180	R19
1	007-0193-000	GP RES CC 1/4W 5% 470	R21
1	007-0194-000	GP RES CC 1/4W 5% 680	R22
6	007-0195-000	GP RES CC 1/4W 5% 1K	R6,9,29,35,36,37
3	007-0126-000	GP RES CC 1/4W 5% 1.5K	R31,32,38
1	007-0196-000	GP RES CC 1/4W 5% 4.7K	R33



PASSPORT

POWERED PORTABLE
SOUND SYSTEM

PARTS LIST

**SWITCH MODE PSU CIRCUIT
PRINTED CIRCUIT BOAED ASSYBMLY
CONTINUED**

QTY	PART #	DESCRIPTION	REFERENCE DESIGNATION
2	007-0129-000	GP RES CC 1/4W 5% 10K	R24,26
1	007-0197-000	GP RES CC 1/4W 5% 20K	R28
1	007-0198-000	GP RES CC 1/4W 5% 24K	R30
1	007-0199-000	GP RES CC 1/4W 5% 200K	R23
1	007-0200-000	GP RES CC 1/4W 5% 270K	R20
2	007-0201-000	GP RES CC 1/2W 5% 1.5K	R32,34
2	007-0405-000	GP RES CC 2W 5% 1.5K	R11,12
2	007-0202-000	GP RES CC 1/2W 5% 100K	R2,3
1	007-0203-000	GP RES CC 1/2W 5% 470K	R1
2	007-0205-000	GP RES CC 2W 5% 47	R13,14
1	007-0206-000	GP RES CC 2W 5% 100	R10
2	007-0207-000	GP RES CC 2W 5% 180	R15,16
1	007-0044-000	GP JUMPER WIRE .6MM X 5MM	
2	007-0046-000	GP JUMPER WIRE .6MM X 7MM	
2	007-0047-000	GP JUMPER WIRE .6MM X 8MM	
4	007-0049-000	GP JUMPER WIRE .6MM X 10MM	
2	007-0052-000	GP JUMPER WIRE .6MM X 13MM	
3	007-0054-000	GP JUMPER WIRE .6MM X 15MM	
1	007-0208-000	GP JUMPER WIRE .6MM X 23MM	
2	007-0209-000	GP SLEEVE INSULATOR 5MM X 13MM	
1	007-0210-000	GP SLEEVE INSULATOR 5MM X 15MM	
1	007-0211-000	GP SLEEVE INSULATOR 5MM X 23MM	
1	007-0212-000	GP SPEAKER GAP SURGE ARRESTOR	SPARK GAP
1	007-0213-000	GP RES SEMI-FIX 1K	VR1
2	007-0214-000	GP CABLE JMPR AWG#18 UL1007 450MM	FROM IEC SOCKET
1	007-0215-000	GP CABLE JMPR 2CKT UL1007 600MM	+/-15V TO MIXER BOARD
1	007-0216-000	GP CABLE JMPR 2CKT UL1007 220MM	TO SPEAKER CONNECTORS
1	007-0218-000	GP CABLE JMPR 2CKT UL1007 220MM	TO GROUND @ JACK BOARD
1	007-0219-000	GP CABLE JMPR 4CKT UL1007 600MM	TO +/- 50V INPUT AT AMP BOARD
1	007-0220-000	GP CABLE JMPR 4CKT UL1007 800MM	FROM +/-36 VOLT INPUT CONN.
1	007-0221-000	GP CABLE JMPR UL1007 100MM	FROM +36 VOLT FUSE CONN.
1	007-0222-000	GP CABLE JMPR UL1007 100MM	FROM -36 VOLT FUSE CONN.
1	007-0223-000	GP CABLE JMPR 4CKT UL1007 600MM	TO LED INDICATOR CKT BOARD
1	007-0224-000	GP CABLE JMPR 2CKT UL1007 60MM	TO PSU FAN
1	007-0225-000	GP CABLE JMPR UL1007 220MM	TO 120/240 VOLTAGE SELECTOR
1	007-0226-000	GP CABLE JMPR UL1007 220MM	TO 120/240 VOLTAGE SELECTOR
1	007-0227-000	GP JM24182-2P WAFER CONNECTOR	TO PSU FAN
1	007-0228-000	GP JM2422-3M WAFER CONNECTOR	CN20 (FROM AC IN)
1	007-0229-000	GP PCB ASSY SMPSU SECTION	(RAW BOARD)
1	007-0230-000	GP PCB ASSY SMPSU SECTION	(STUFFED)



PASSPORT

POWERED PORTABLE
SOUND SYSTEM

PARTS LIST

MAIN TOWER CASE ASSYBMLY

QTY	PART #	DESCRIPTION	REFERENCE DESIGNATION
1	007-0406-000	GP SHEET FRONT PD250	
1	007-0407-000	GP TOWER SIDE CABINET (A) PD250	
1	007-0408-000	GP TOWER SIDE CABINET (B) W/TAP PD250	
2	007-0233-000	GP HANDLE LATCH	
1	007-0409-000	GP CABLE DOOR PD250	
1	007-0235-000	GP DOOR SLIDE LATCH	
2	007-0236-000	GP MASTER LEVEL KNOBS	
29	007-0237-000	GP MIXER CONTROL KNOBS	
2	007-0410-000	GP TOWER FOOT BAR	
4	007-0239-000	GP RIB (AT TOP OF TOWER FOR O RING	
2	007-0240-000	GP SPKR LATCH SAFETY CATCH LEVER	
1	007-0241-000	GP HANDLE COVER PP	
1	007-0242-000	GP COMPARTMENT WALL PARTITION	
2	007-0243-000	GP SPRUE CAP ON SIDE OF TOWER	
2	007-0411-000	GP NAME LOGO PLATE	
1	007-0412-000	GP FRONT SHEET METAL PANEL PD250	
2	007-0413-000	GP FOOT SUPPORT STEEL BAR	
2	007-0247-000	GP SPKR LATCH TENSION SPRING COIL	
4	007-0248-000	GP SPKR LATCH LINKAGE U BARS	
2	007-0249-000	GP SPKR LATCH HINGE PLATE	
1	007-0251-000	GP SMPSU SHIELD CAN BOTTOM	
1	007-0252-000	GP SMPSU SHIELD CAN TOP ZI	
2	007-0253-000	GP MOUNTING BRACKET (AMP PCB)	
4	007-0254-000	GP SMALL L MOUNTING BRACKET	
4	007-0255-000	GP LONG L MOUNTING BRACKET	
1	007-0256-000	GP DIE CAST HEAT SINK	
1	007-0144-000	GP POWER AMPLIFIER PCB ASSEMBLY	
1	007-0230-000	GP SMPSU PCB ASSEMBLY	
1	007-0403-000	GP MIXER PCB ASSEMBLY PD250	
1	007-0104-000	GP REVERB PCB ASSEMBLY	
1	007-0081-000	GP MIC PREAMP PCB ASSEMBLY	
1	007-0070-000	GP PHONE JACK PCB ASSEMBLY	
1	007-0159-000	GP LED INDICATORS PCB ASSEMBLY	
1	007-0154-000	GP TAPE OUTPUT PCB ASSEMBLY	
1	007-0151-000	GP AMPLIFIER PROTECT PCB ASSEMBLY	
1	007-0259-000	GP 750MM O RING TOWER SEAL	
2	007-0350-000	GP IRON POWER TOROID CORE (GND)	
1	007-0261-000	GP 12V COOLING FAN FOR SMPSU	
1	007-0262-000	GP WIRE BUSHING	
1	007-0263-000	GP WIRE BUSHING	
1	007-0264-000	GP IEC AC/FUSE PANEL MOUNT SOCKET	



PASSPORT

POWERED PORTABLE
SOUND SYSTEM

PARTS LIST

MAIN TOWER CASE ASSYBMLY CONTINUED

QTY	PART #	DESCRIPTION	REFERENCE DESIGNATION
2	007-0265-000	GP 6.3A TIME LAG FUSE	
1	007-0267-000	GP AC POWER SWITCH 2P1T	
2	007-0268-000	GP GM TYPE FUSE HOLDER HOUSING	
4	007-0278-000	GP GM FUSE CONNECTOR INSERTS	
8	007-0270-000	GP MICA INSULATOR TO-30 25 X20MM	
4	007-0271-000	GP MICA INSULATOR 18 X12.7MM	
20	007-0272-000	GP NYLON CABLE TIE 100MM	
1	007-0273-000	GP BRASS PCB STANDOFF TUBE 6.2MM	
4	007-0274-000	GP SHIELD CAN MOUNTING BRACKER	
1	007-0347-000	GP AUX/REV SWITCH COVER	
1	007-0348-000	GP MIC/LINE/PHONE JACK SHIELD PLATE	
4	007-0349-000	GP POWER DEVICE MOUNTING BRACKET	
1	007-0414-000	GP SAFETY LABEL PD250	
1	007-0415-000	GP SERIAL NUMBER LABEL PD250	
17	007-0277-000	GP NUT HEX M12 NI PHONE JACK MOUNT	
17	007-0279-000	GP FLAT WASHER NI PHONE JACK NOUNT	
30	007-0280-000	GP SCRW 3X6MM PHPS BLX	
20	007-0281-000	GP SCRW 3X8MM PHPS BLX	
8	007-0282-000	GP SCRW 3X8MMTF NI	
2	007-0283-000	GP SCRW 3X.5X5MM PHB NI	
8	007-0284-000	GP SCRW 3X.5X8MM PHPS NI	
4	007-0285-000	GP SCRW 3X10MM FLT HEAD	
10	007-0286-000	GP SCRW 3X.5MMX12MM PHPS BLX	
8	007-0287-000	GP SCRW 3X16MM PHPS BLX	
5	007-0288-000	GP NUT M3 NI	
20	007-0289-000	GP WASHER SPRING TYPE M3 BLX	
20	007-0290-000	GP WASHER FLAT TYPE MX BLX	
8	007-0337-000	GP WASHER SPRING TYPE M3 ZI	
1	007-0291-000	GP WASHER TEETH M4X4.3MM	
1	007-0292-000	GP NUT M4 NI	
1	007-0293-000	GP WASHER SPING TYPE NI	
4	007-0294-000	GP SCRW 3X12MM PHB BLX	
16	007-0295-000	GP SCRW 3X8MM PHB BLX	
16	007-0296-000	GP SCRW 4X10MM PHB BLX	
4	007-0297-000	GP SCRW 4X30MM PHB BLX	
4	007-0298-000	GP SCRW 3X6 M BLX	
2	007-0299-000	GP SCRW 3X6 M BLX	
8	007-0300-000	GP SCRW 4X16M BLX	
2	007-0345-000	GP RUBBER PLUG	



PASSPORT

POWERED PORTABLE
SOUND SYSTEM

PARTS LIST

WIRELESS REG CASING ASSEMBLY

QTY	PART #	DESCRIPTION	REFERENCE DESIGNATION
1	007-0386-000	GP T'NAL 2225A-20D 2x10 PIN	CN606
3	007-0290-000	GP METAL WASHER M3X0.5X8MM	U601 PCB
3	007-0493-000	GP SPRING WASHER M3X0.9X5.5	U601 PCB
1	007-0500-000	GP M3 NUT NI	U601
2	007-0294-000	GP M SCREW M3X12 P/H BLACK	CN606
3	007-0498-000	GP SCREW M3X10 (BLK)	REG PCB
1	007-0270-000	GP MICA INSULATOR25X40MM TO-3P	U601
1	007-0387-000	GP ANT WIRE 2751-13-0	CN603
1	007-0501-000	GP INSULATOR TO-220 TPYE	U601
2	007-0416-000	GP BASS TUBE 2617-20-0	REG PCB
5	007-0390-000	GP PLASTIC CABLE TIE (BLK)	REG WIRE
1	007-0421-000	GP UL1007#26 R/B PCE99-0192 L=450MM	CN602
1	007-0417-000	GP UL1553#26 BLK PCE99-0227 L=190MM	CN605
1	007-0418-000	GP UL1553#26 GR PCE99-0194 L=190MM	CN604
1	007-0419-000	GP UL1553#26 GR PCE99-0195 L=130MM	CN603
1	007-0420-000	GP UL1007#26 R/B NK460 L=120MM	CN601

SPEAKER CABINET ASSEMBLY

QTY	PART #	DESCRIPTION	REFERENCE DESIGNATION
2	007-0340-000	GP SPKR STAND PLUG GASKET	
2	007-0422-000	GP SPKR STAND PLUG	
2	007-0423-000	GP SPKR BOX PD250	
2	007-0424-000	GP SPKR BAFFLE PD250	
2	007-0425-000	GP ENCLOSURE PD250	
2	007-0426-000	GP BAFFLE RUBBER GASKET	
2	007-0305-000	GP SPKR BACK BOX COSMETIC TRIM	
2	007-0427-000	GP SPKR FOOT (LEFT) PD250	
2	007-0428-000	GP SPKR FOOT (RIGHT) PD250	
2	007-0429-000	GP SPRUE CAP AT BACK OF SPKR BOX	
2	007-0430-000	GP SPKR GRILLE MESH PD250	
4	007-0370-000	GP PD150 4OHM TWEETER	
4	007-0431-000	GP PD250 (II) 4 OHM WOOFER	
2	007-0432-000	GP LOGO PLATE	
2	007-0311-000	GP JACK 1/4 PCB MONO	
54	007-0068-000	GP SCRW 4X10 TF BLX	
20	007-0312-000	GP SCRW 5X20 TF BLX	
12	007-0313-000	GP SCRW 4X8 TF BLX	
8	007-0314-000	GP SCRW 6X25 TF BLX	
4	007-0346-000	GP SCRW 3X6 COUNTER SINK BLX	



PASSPORT

POWERED PORTABLE
SOUND SYSTEM

PARTS LIST

PACKING ACCESSORIES

QTY	PART #	DESCRIPTION	REFERENCE DESIGNATION
1	007-0315-000	GP UL/IEC POWER CORD(UL/CSA VERSION)	NORTH AMERICA,TAIWAN
1	007-0316-000	GP CE/IEC POWER CORD (EURO VERSION)	CONT.EUR / ASIA EXPT HK, CHINA / AUSTRALIA
1	007-0317-000	GP BS/IEC POWER CORD(UK/HK VERSION)	UK, HK
1	007-0318-000	GP CCEE POWER CORD(CHINA)	GREAT WALL STD (OPTION)
1	007-0319-000	GP SAA/IEC POER CORD(AUST/NZ)	AUS, NZ (OPTION)
1	007-0320-000	GP JIS/IEC POWER CORD W/GROUND PIN	JAPAN (OPTION)
2	007-0321-000	GP MONO 1/4 PHONE JACK SPEAKER CORD	
1	007-0398-000	GP OWNER'S MANUAL PD250	
2	007-0326-000	GP MICROPHONE	
2	007-0327-000	GP MICROPHONE CABLE	
2	007-0328-000	GP MICROPHONE CLIP	
2	007-0329-000	GP MICROPHONE VINYL POUCH	
1	007-0030-000	GP POLYBAG	MAIN UNIT
1	007-0331-000	GP POLYBAG	OWNER'S MANUAL
1	007-0332-000	GP CARTON BOX	
2	007-0333-000	GP PACKING CUSHION	
1	007-0334-000	GP SERIAL NUMBER LABEL ON BOX	

SERVICE MODULES FOR QUICK REPAIRS

QTY	PART #	DESCRIPTION	REFERENCE DESIGNATION
1	007-0335-000	GP SMPS MODULE	
1	007-0434-000	GP MIXER PANEL ASSEMBLY PD250 (INCLUDES KNOBS)	COMPLETE ASS'Y
1	007-0144-000	GP PCB ASSY POWER AMPLIFIER	(STUFFED)
1	007-0104-000	GP PCB ASSY REVERB	(STUFFED)
1	007-0159-000	GP PCB ASSY LED INDICATORS	(STUFFED)
1	007-0154-000	GP PCB ASSY TAPE OUTPUT	(STUFFED)
1	007-0151-000	GP PCB ASSY AMPLIFIER PROTECT	(STUFFED)
1	007-0081-000	GP PCB ASSY MIC PREAMP	(STUFFED)
1	007-0404-000	GP PCB ASSY PHONE JACK	(STUFFED)
2	007-0431-000	GP PD250 4OHM WOOFER	MATCHED DRIVERS KIT
2	007-0435-000	GP SPEAKER BOX ASSEMBLY PD250	COMPLETE ASS'Y
1	007-0343-000	GP HANDLE ASSEMBLY	COMPLETE ASS'Y
1	007-0344-000	GP POWER AMP / SMPSU / HS ASSEMBLY	
2	007-0370-000	GP TWEETER 4 OHM PD150	MATCHED DRIVERS KIT



PASSPORT

POWERED PORTABLE
SOUND SYSTEM

EXPORT STANDARD SPARES KIT

QTY	PART #	DESCRIPTION	REFERENCE DESIGNATION
1	007-0341-000	EXPORT STD SPARE KIT PACK	SEE LIST BELOW

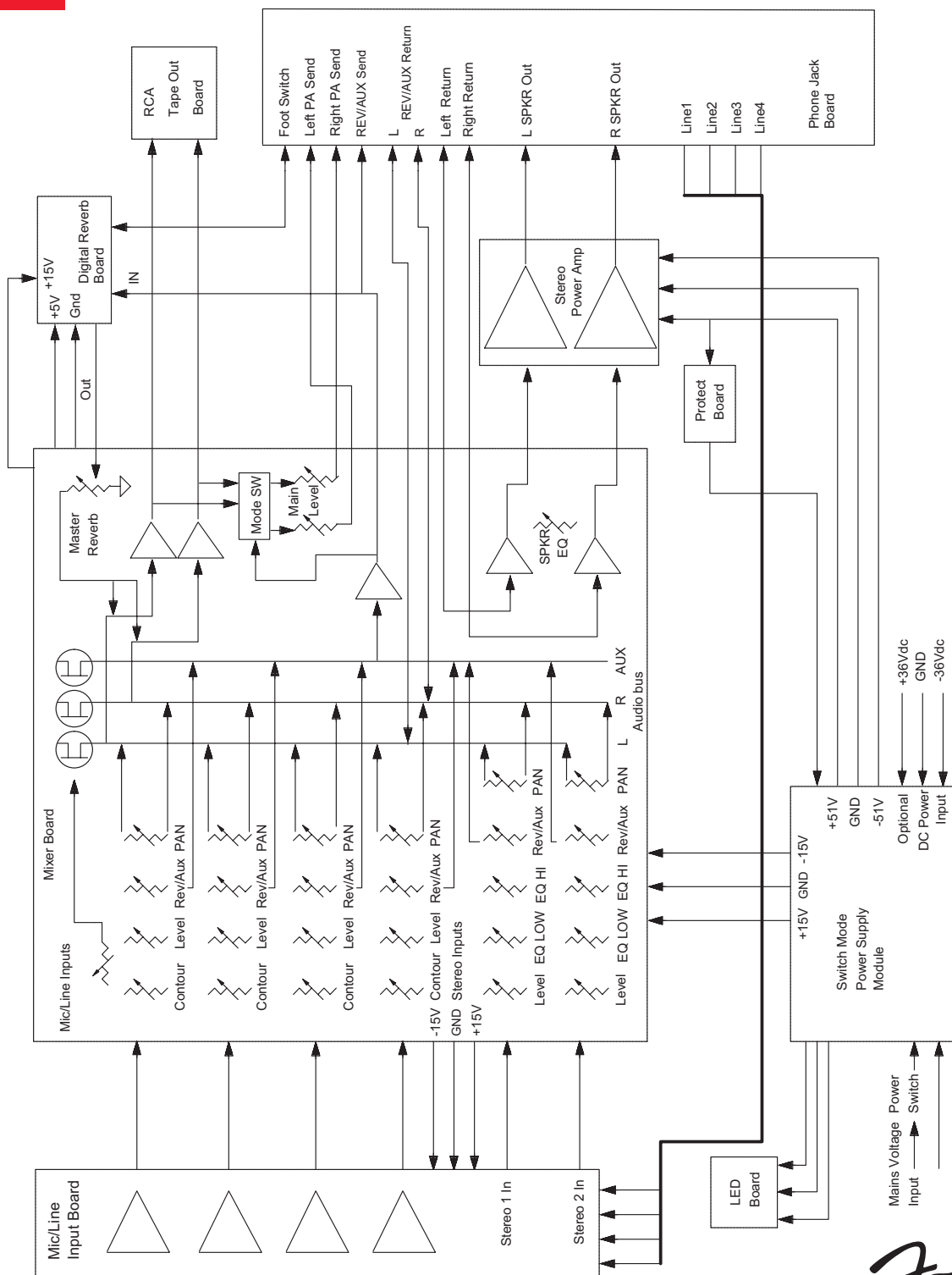
QTY	PART #	DESCRIPTION
12	007-0399-000	SERVICE MANUAL
3	007-0403-000	GP PCB ASSY MIXER
3	007-0144-000	GP PCB ASSY POWER AMPLIFIER
3	007-0104-000	GP PCB ASSY REVERB
3	007-0159-000	GP PCB ASSY LED INDICATORS
3	007-0154-000	GP PCB ASSY TAPE OUTPUT
3	007-0151-000	GP PCB ASSY AMPLIFIER PROTECT
6	007-0081-000	GP PCB ASSY MIC PREAMP
6	007-0404-000	GP PCB ASSY PHONE JACK
12	007-0431-000	GP PD250 4 OHM WOOFER
4	007-0236-000	GP MASTER LEVEL KNOBS
10	007-0237-000	GP MIXER CONTROL KNOBS
12	007-0265-000	GP 6.3A TIME LAG FUSE
4	007-0326-000	GP MICROPHONE, CABLE, CLOP, POUCH
6	007-0430-000	GP SPKR GRILLE MESH
4	007-0341-000	GP HANDLE ASSEMBLY
12	007-0321-000	GP MONO1/4 PHONE JACK SPEAKER CORD
1	007-0344-000	GP POWER AMP / SMPSU / HS ASSEMBLY
12	007-0370-000	GP TWEETER 4 OHM PD150



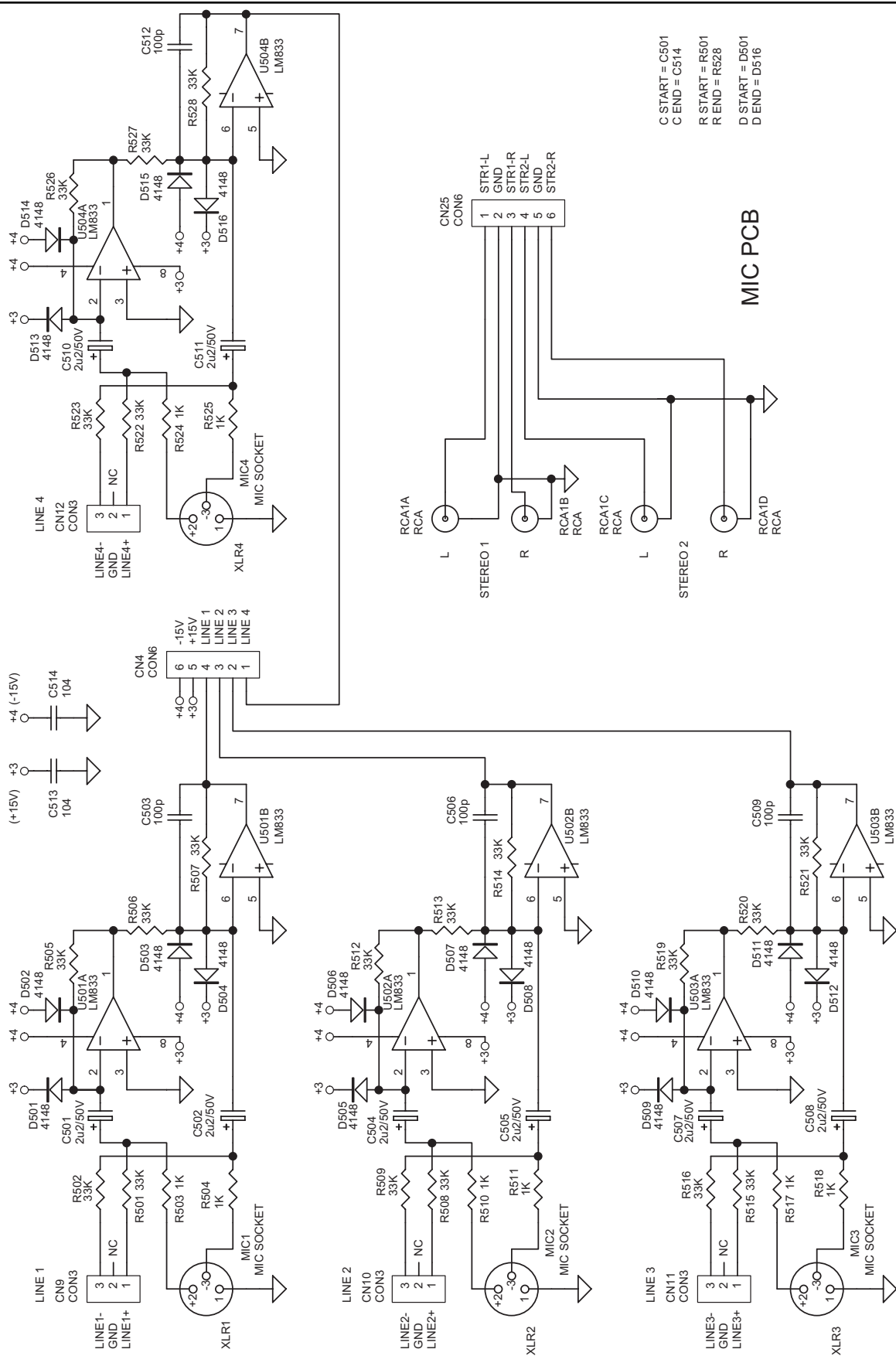
PASSPORT

POWERED PORTABLE
SOUND SYSTEM

BLOCK DIAGRAM



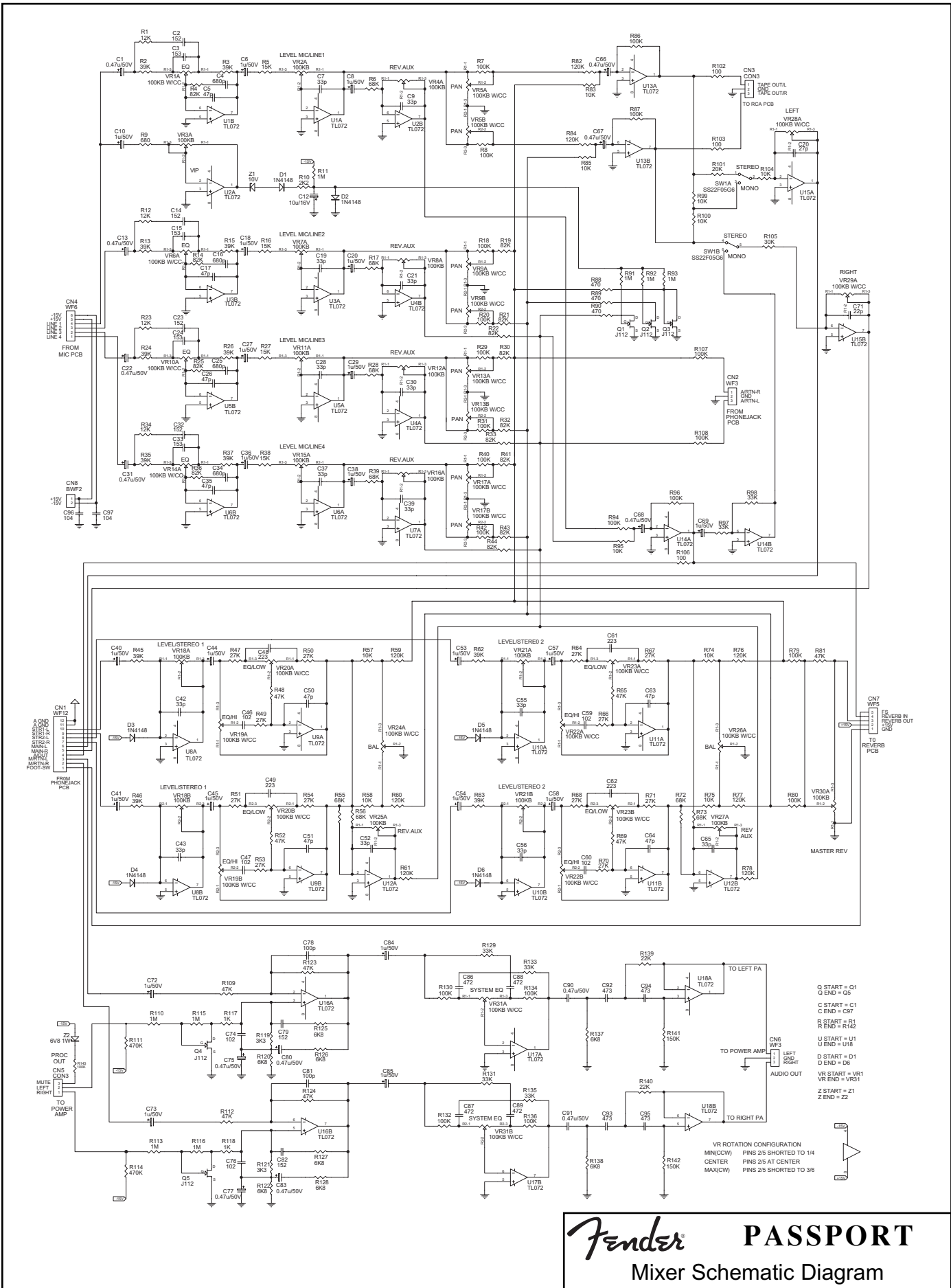
Block Diagram *Fender*



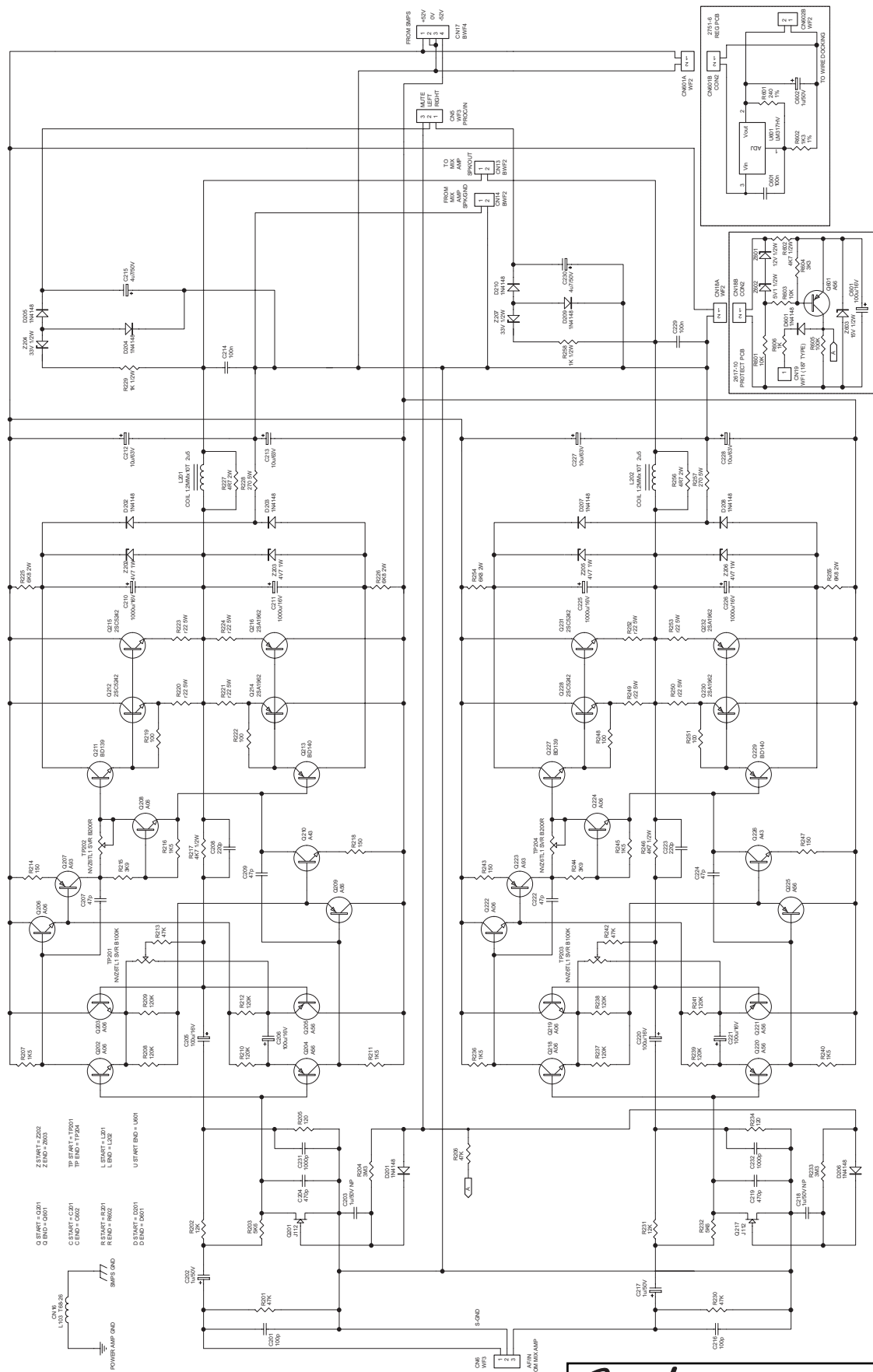
- C START = C501
- C END = C514
- R START = R501
- R END = R528
- D START = D501
- D END = D516

MIC PCB

Fender **PASSPORT**
MIC Schematic Diagram



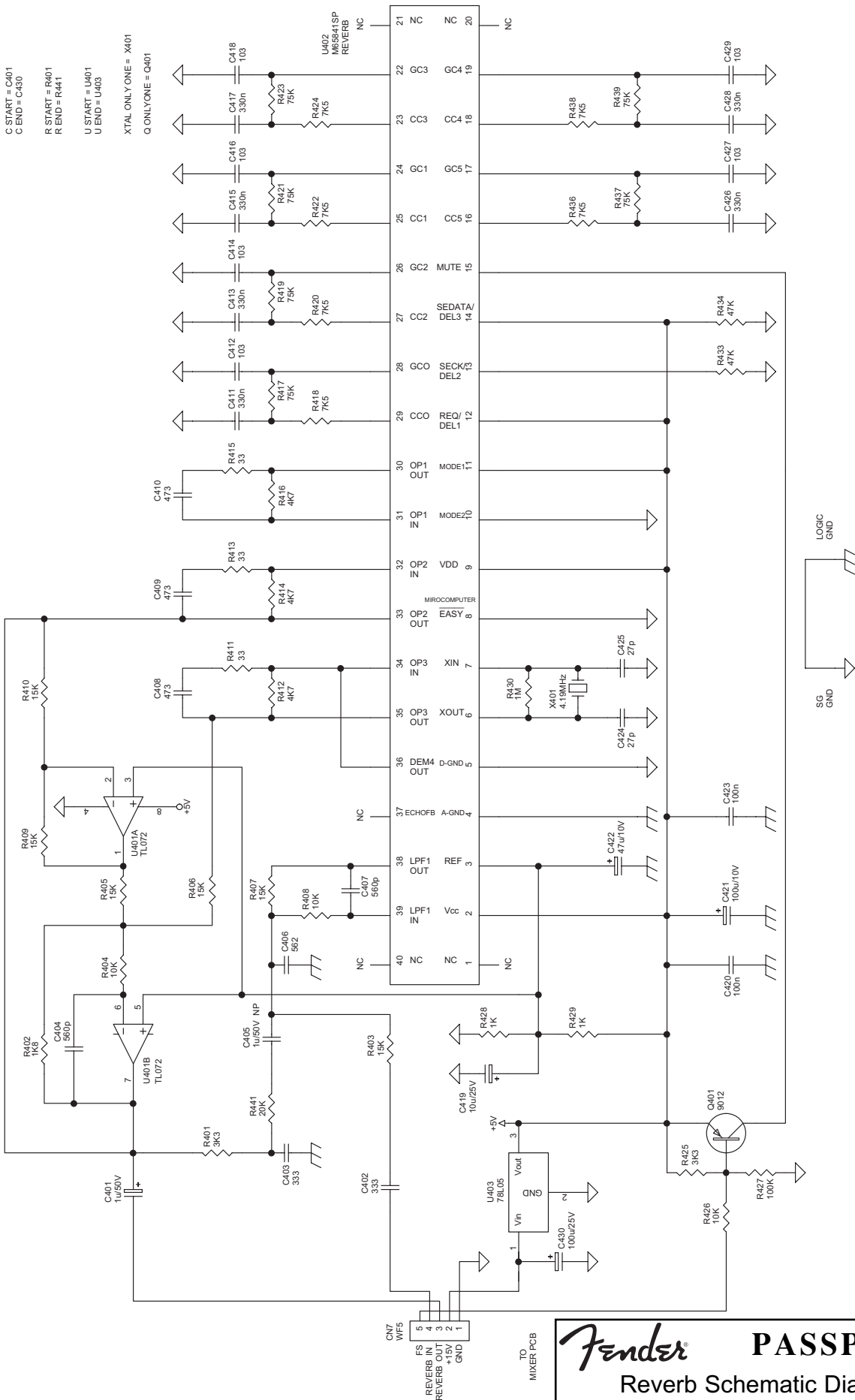
Fender **PASSPORT**
 Mixer Schematic Diagram



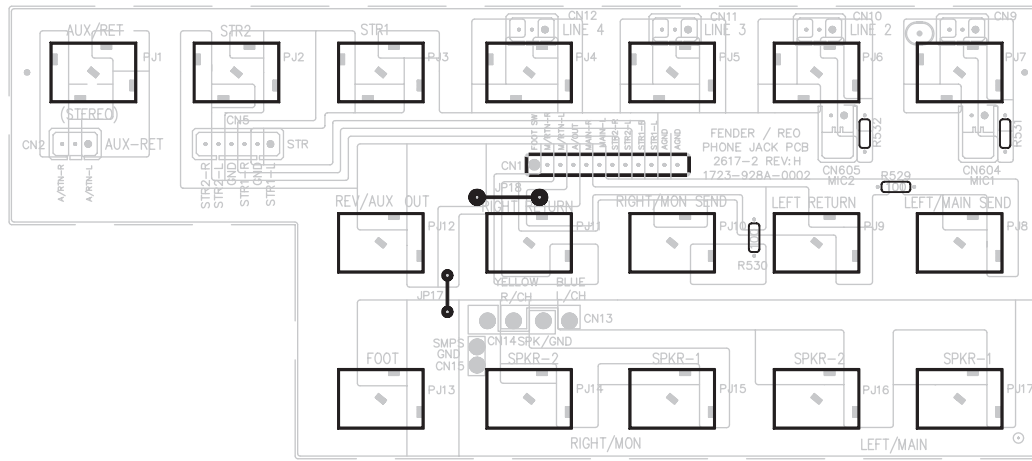
G START = G01
 G END = G01
 C START = C20
 C END = C02
 R START = R21
 R END = R02
 D START = D01
 D END = D01
 L START = L21
 L END = L02
 U START = U01
 U END = U01

Fender **PASSPORT**
 Pwr Amp Schematic Diagram

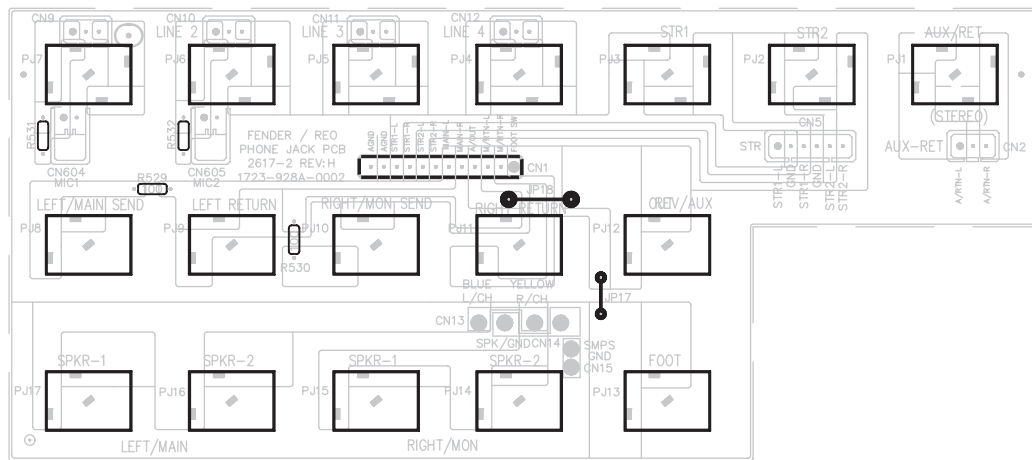
C START = C401
 C END = C430
 R START = R401
 R END = R441
 U START = U401
 U END = U403
 XTAL ONLY ONE = X401
 Q ONLY ONE = Q401



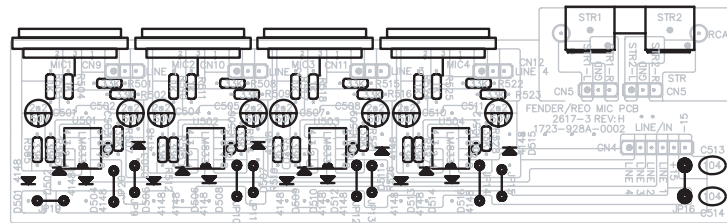
Fender **PASSPORT**
 Reverb Schematic Diagram



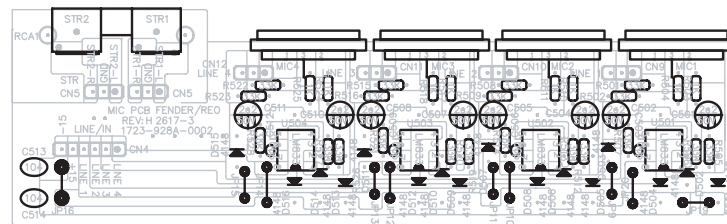
Phone PCB Copper Side



Phone PCB Component Side

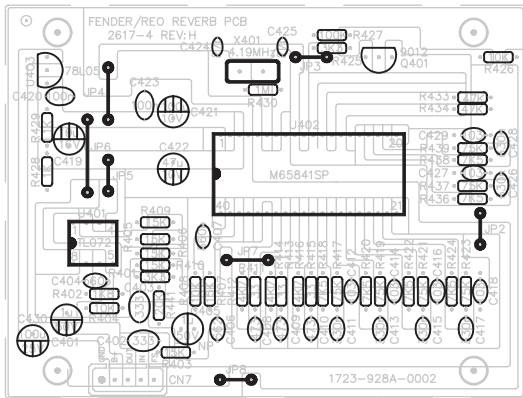


Microphone PCB Copper Side

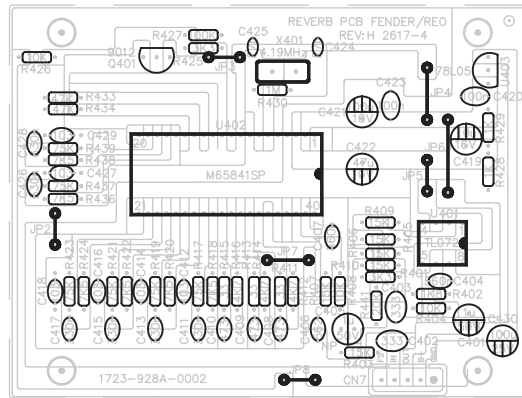


Microphone PCB Component Side

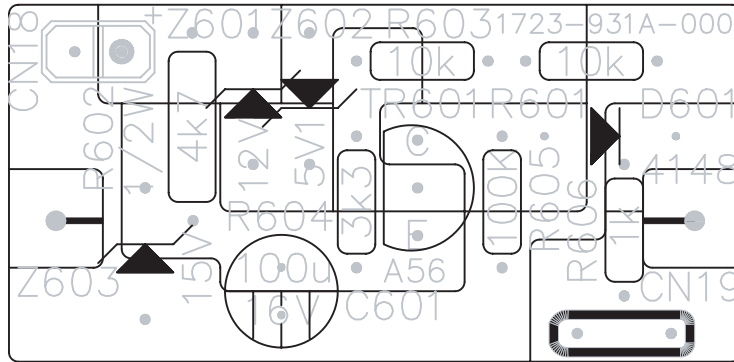
Fender **PASSPORT**
Input Section PCB



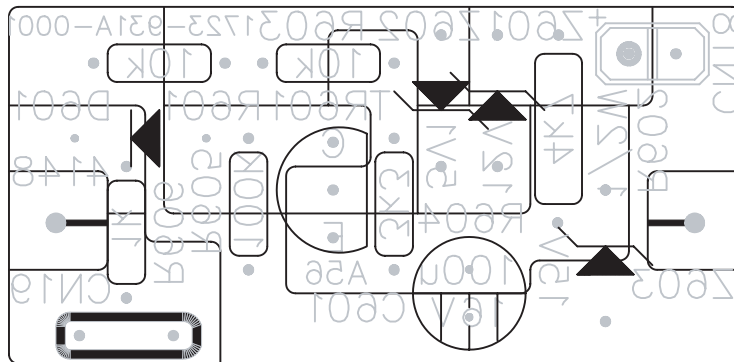
Reverb PCB Copper Side



Reverb PCB Component Side

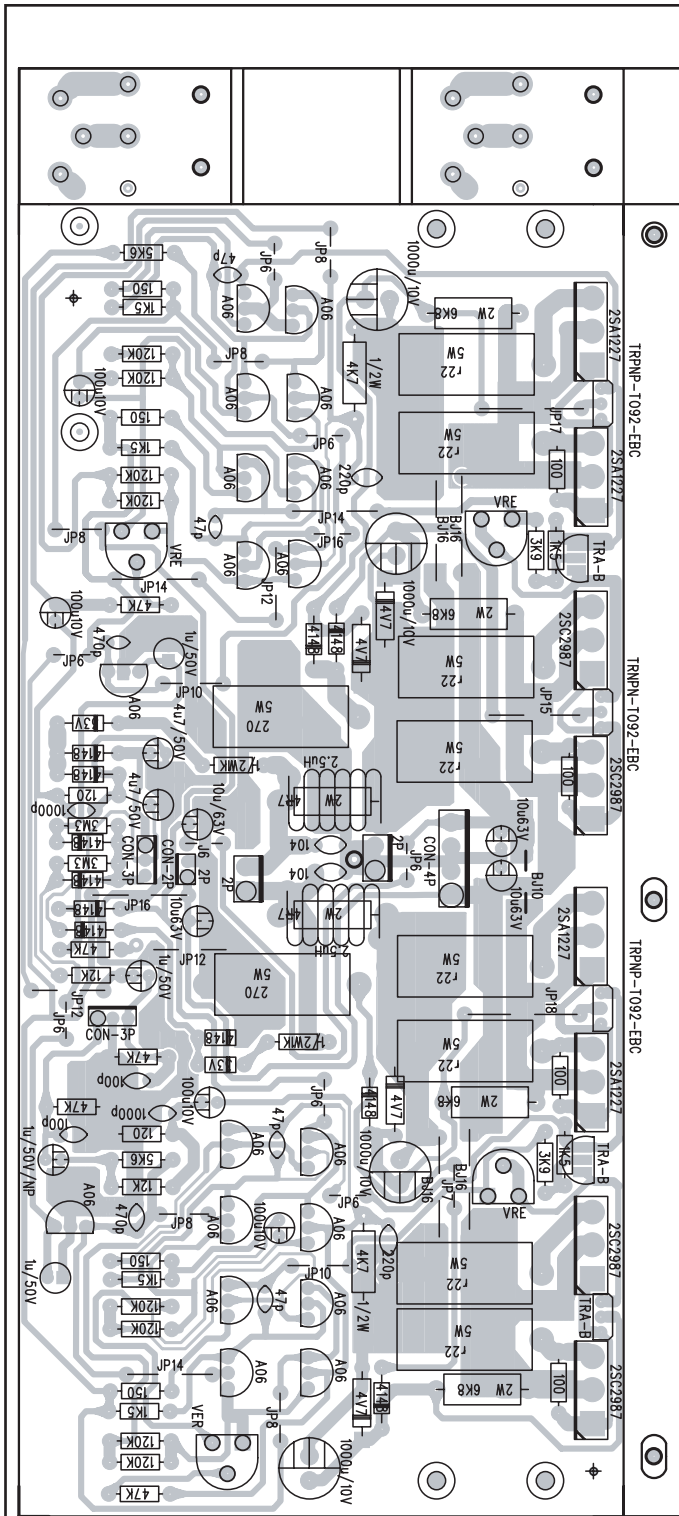


Protect PCB Copper Side

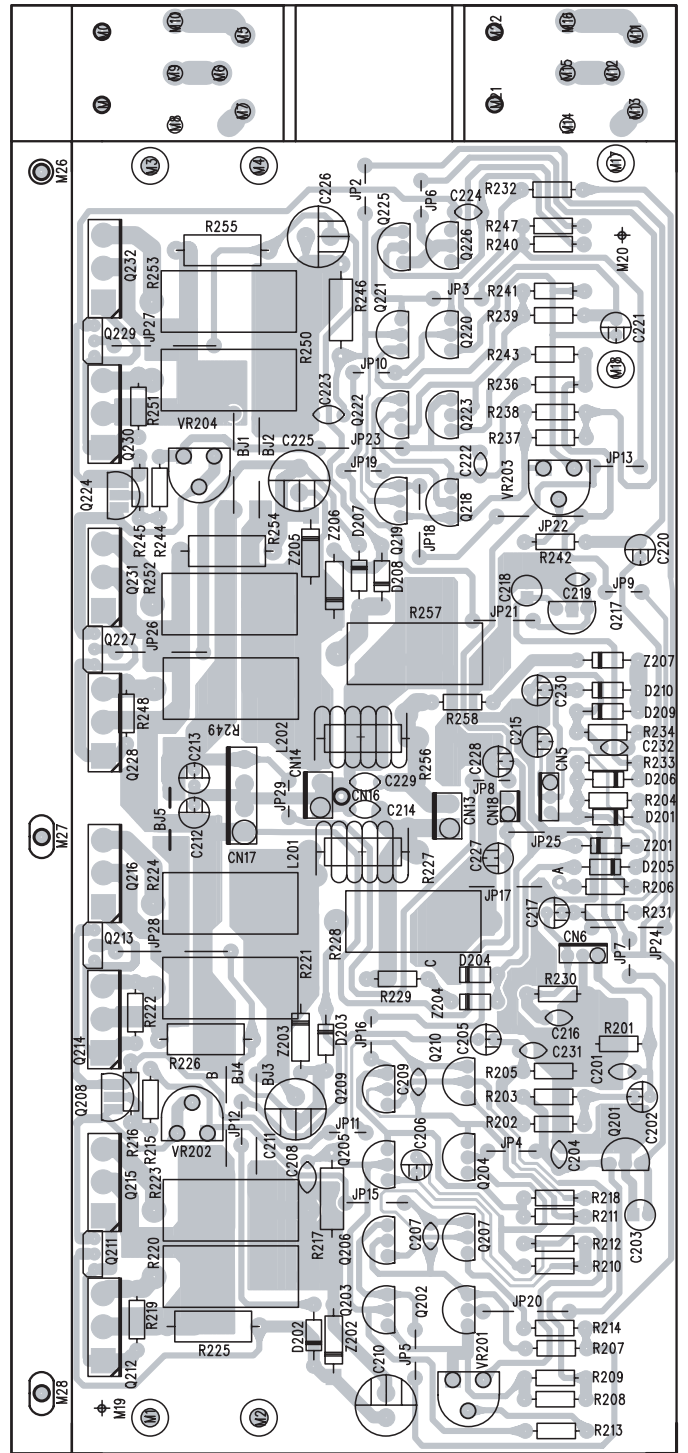


Protect PCB Component Side

Fender **PASSPORT**
Rev/Protection PCB

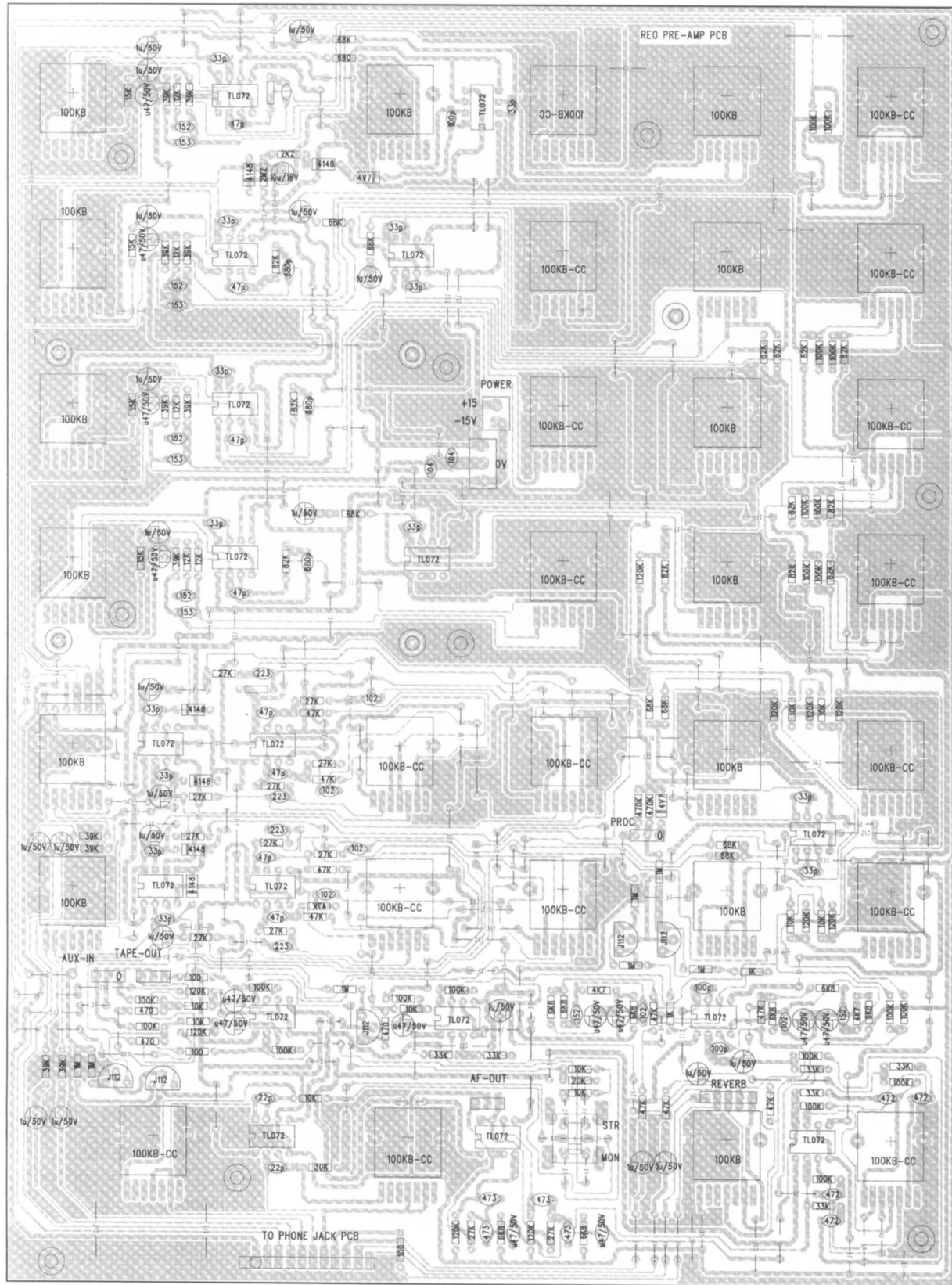


**Power Amplifier PCB
Copper Side**



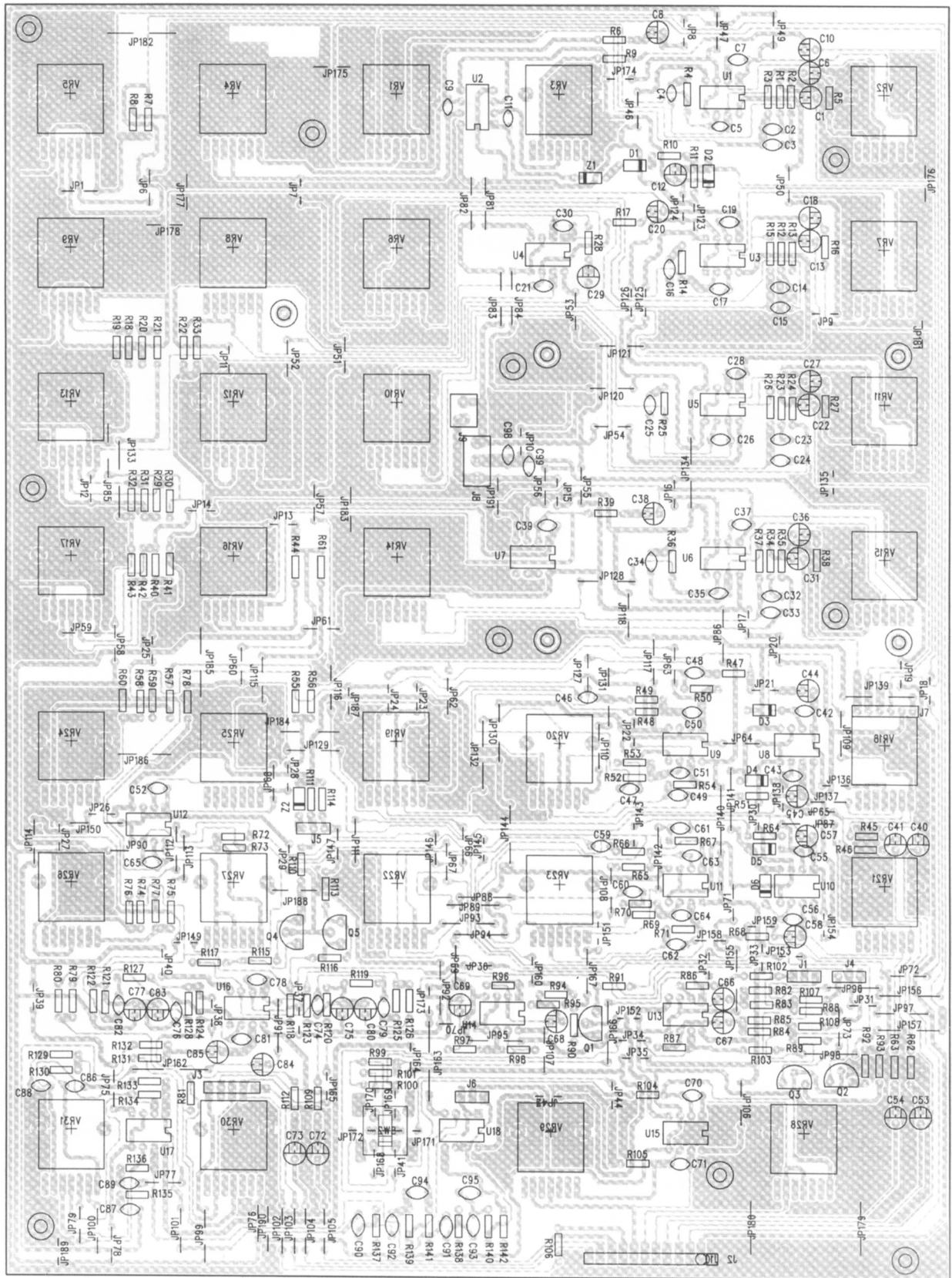
**Power Amplifier PCB
Component Side**

Fender **PASSPORT**
Power Amplifier Section PCB



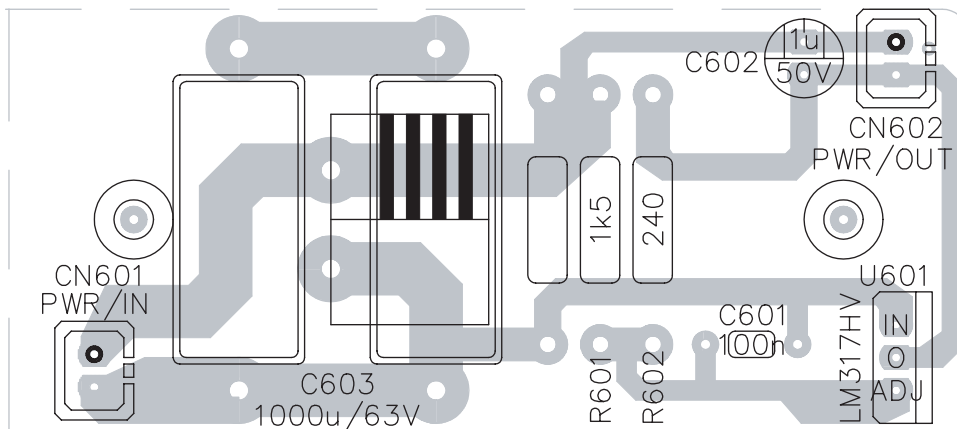
Mixer Section PCB Copper Side

Fender **PASSPORT**
Reg/RCA/LED PCB

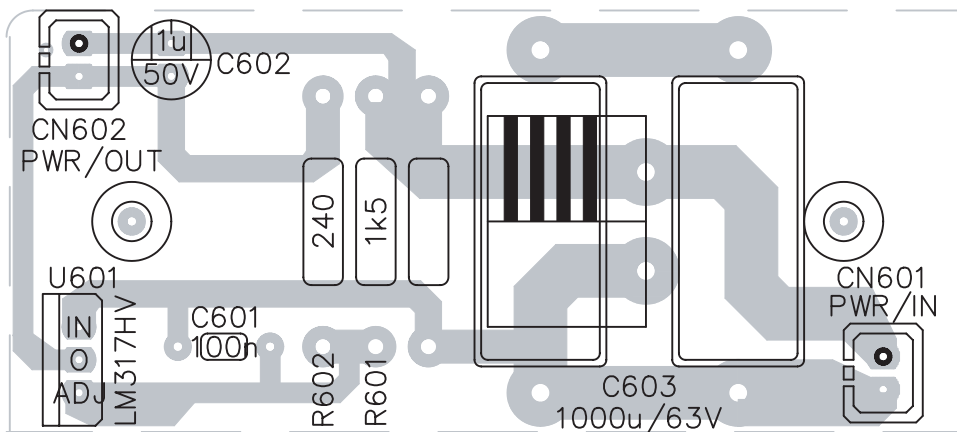


Mixer Section PCB Component Side

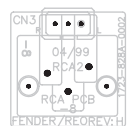
Fender **PASSPORT**
Reg/RCA/LED PCB



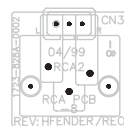
Regulate PCB Copper Side



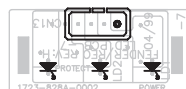
Regulate PCB Component Side



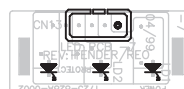
**RCA PCB
Copper Side**



**RCA PCB
Component
Side**

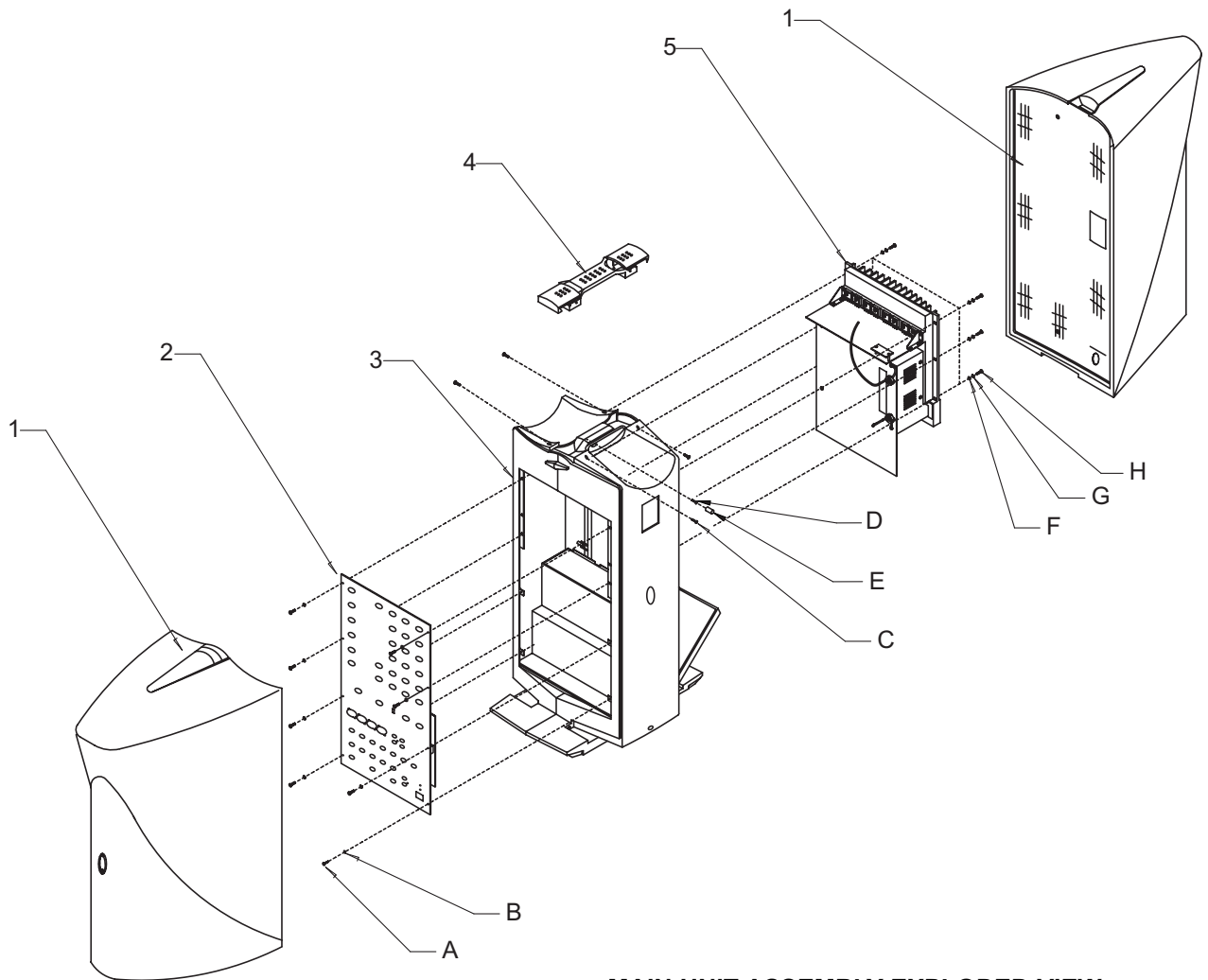


**LED PCB
Copper Side**



**LED PCB
Component
Side**

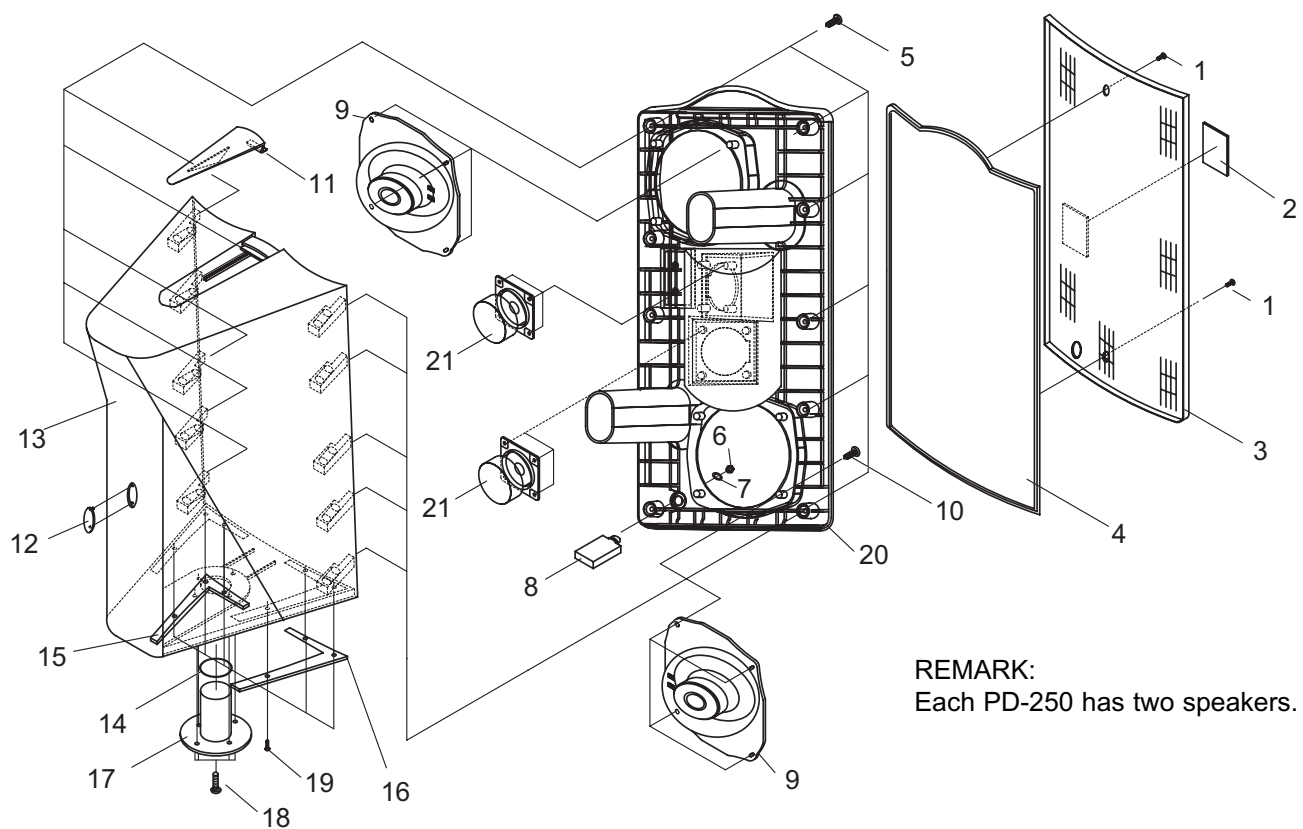
Fender **PASSPORT**
Reg/RCA/LED PCB



MAIN UNIT ASSEMBLY EXPLODED VIEW

No.	DESCRIPTION	PART NUMBER	QTY
1	SPEAKER ASS'Y PD250		2
2	MIXER ASS'Y PD250		1
3	TOWER HOUSING ASS'Y PD250		1
4	HANDLE/LATCH ASS'Y	007-0343-000	1
5	PS/AMP MODULE ASS'Y	007-0344-000	1
A	NICKLE PLATED SCREW	007-0282-000	8
B	SPRING WASHER	007-0337-000	8
C	BLACK ZINE SCREW	007-0294-000	4
D	BLACK ZINE SCREW	007-0296-000	4
E	RUBBER SCREW COVER	007-0345-000	2
F	BLACK FLAT WASHER	007-0290-000	6
G	BLACK SPRING WASHER	007-0289-000	6
H	BLACK ZINE SCREW	007-0287-000	6

Fender **PASSPORT**
Main Ass'y Exploded View

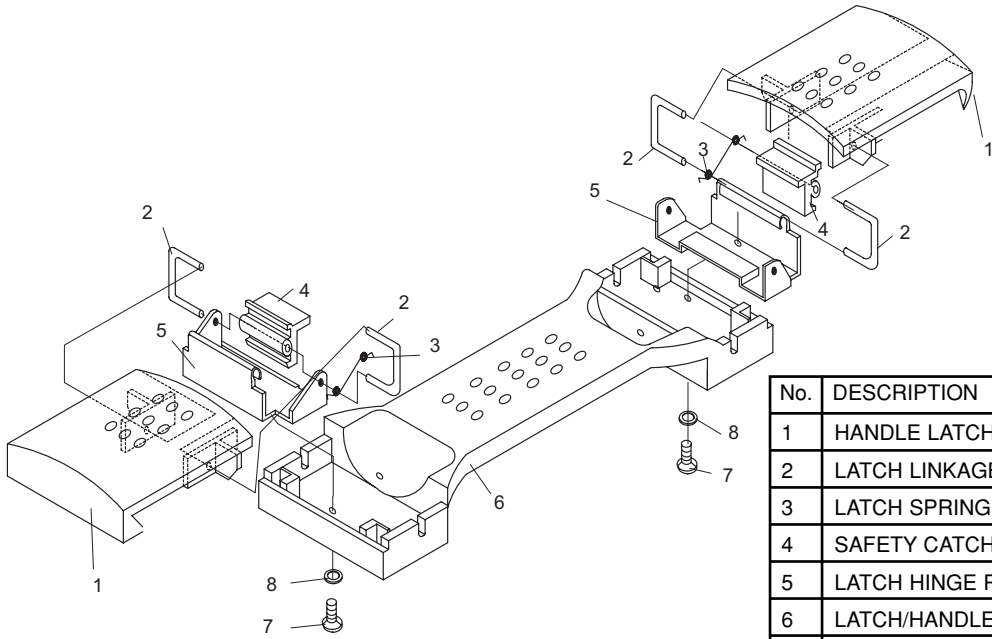


REMARK:
Each PD-250 has two speakers.

SPEAKER BOX ASSEMBLY EXPLODED VIEW

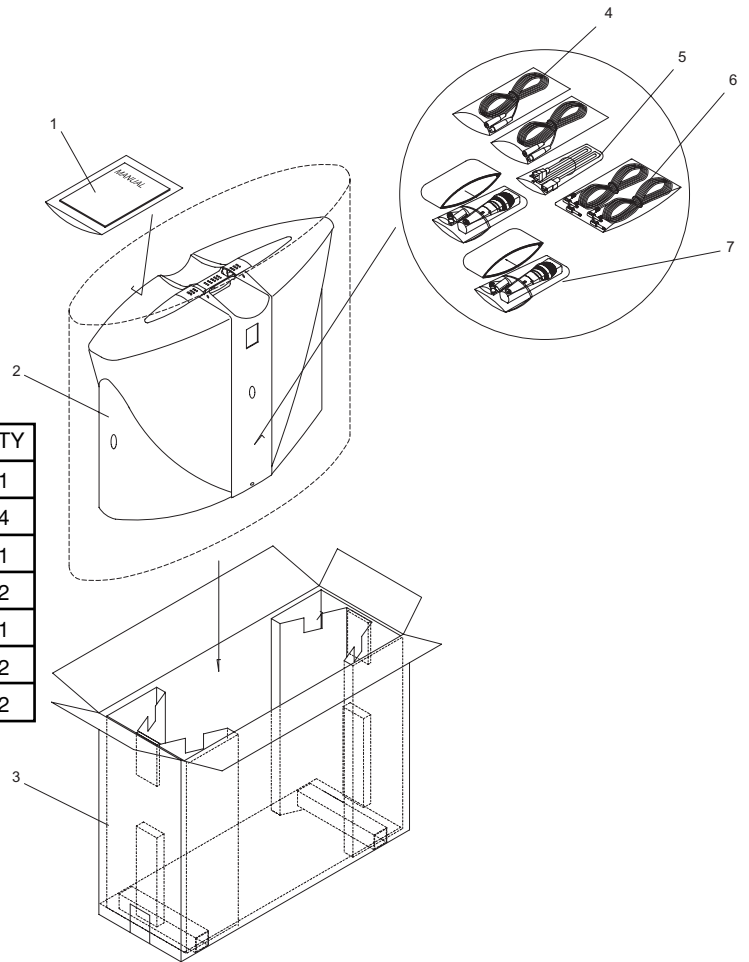
No.	DESCRIPTION	PART NUMBER	QTY
1	BLACK SCREW	007-0346-000	4
2	LOGO PLATE	007-0342-000	2
3	SPEAKER GRILLE	007-0430-000	2
4	BAFFLE GASKET	007-0426-000	2
5	BLACK SCREW	007-0312-000	20
6	HEX NUT (1/4" PHONE)	WITH JACK	2
7	FLAT WASHER (1/4" PHONE)	WITH JACK	2
8	1/4" PHONE JACK	007-0311-000	2
9	WOOFER PD250 4 OHM	007-0431-000	2
10	BLACK SCREW	007-0068-000	32
11	COSMETIC TRIM COVER	007-0305-000	2
12	SPRUE CAP	007-0429-000	2
13	SPEAKER BACK BOX	007-0425-000	2
14	SPEAKER STAND GASKET	007-0340-000	2
15	SPEAKER FOOT (LEFT)	007-0427-000	2
16	SPEAKER FOOT (RIGHT)	007-0428-000	2
17	SPEAKER STAND PLUG	007-0422-000	2
18	SPEAKER STAND PLUG SCREW	007-0314-000	8
19	SPEAKER FOOT SCREW	007-0313-000	12
20	SPEAKER BAFFLE	007-0424-000	2
21	TWEETER	007-0370-000	2

Fender **PASSPORT**
SPKR Box Ass'y Exploded View



HANDLE ASSEMBLY EXPLODED VIEW

No.	DESCRIPTION	PART NUMBER	QTY
1	HANDLE LATCH	007-0233-000	2
2	LATCH LINKAGE	007-0248-000	4
3	LATCH SPRING COIL	007-0247-000	2
4	SAFETY CATCH	007-0240-000	2
5	LATCH HINGE PLATE	007-0249-000	2
6	LATCH/HANDLE COVER	007-0241-000	1
7	SCREW	007-0285-000	2
8	SPRING WASHER	007-0289-000	2



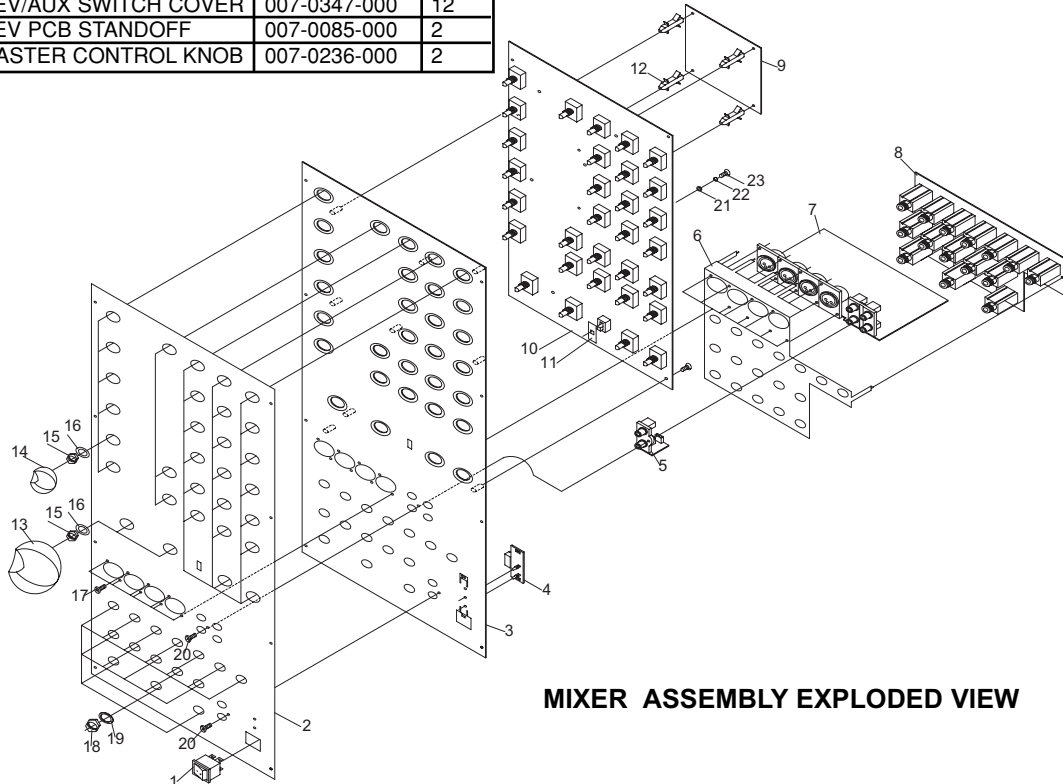
No.	DESCRIPTION	PART NUMBER	QTY
1	OWNERS MANUAL PD250	007-0398-000	1
2	PASSPORT PD250	069-2001-002	4
3	CARTON BOX ASS'Y	007-0322-000	1
4	MICROPHONE CABLE	007-0327-000	2
5	POWER CORD	007-0317/18/19/20-000	1
6	SPEAKER CABLES	007-0321-000	2
7	MICROPHONES/ACC.	007-0326/28/29-000	2

PACKING ASSEMBLY EXPLODED VIEW

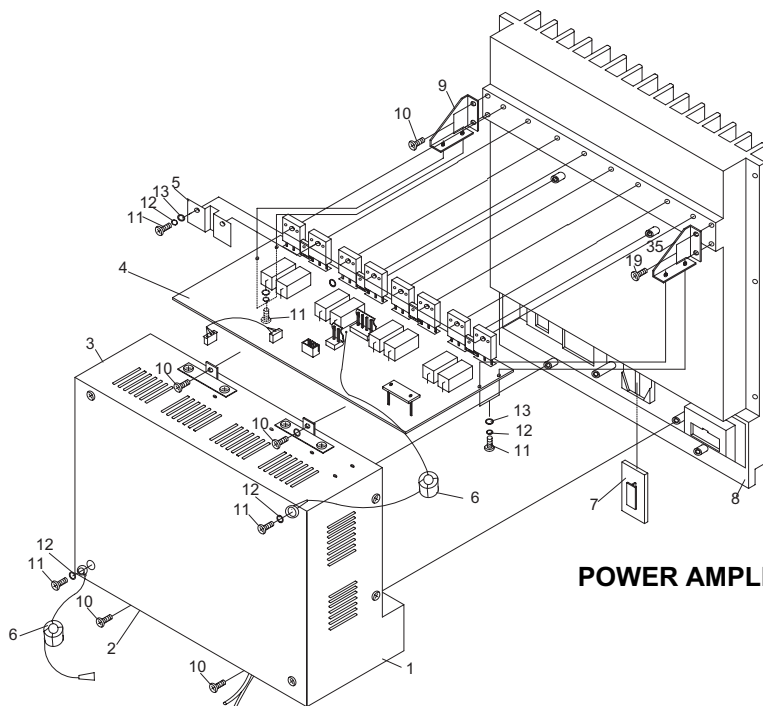
Fender **PASSPORT**
Handle Ass'y Exploded View

No.	DESCRIPTION	PART NUMBER	QTY
1	POWER SWITCH	007-0267-000	1
2	FRONT PANEL OVERLAY	007-0406-000	1
3	FRONT METAL PANEL	007-0412-000	1
4	LED PCB ASSEMBLY	007-0159-000	1
5	RCA INPUT ASSEMBLY	007-0154-000	1
6	INPUT SHIELD PLATE		1
7	MIC/LINE PCB ASS'Y	007-0081-000	1
8	PHONE JACK PCB ASS'Y	007-0404-000	1
9	REVERB PCB ASS'Y	007-0104-000	1
10	MIXER PCB ASS'Y	007-0403-000	1
11	REV/AUX SWITCH COVER	007-0347-000	12
12	REV PCB STANDOFF	007-0085-000	2
13	MASTER CONTROL KNOB	007-0236-000	2

No.	DESCRIPTION	PART NUMBER	QTY
14	MIXER CONTROL KNOB	007-0237-000	29
15	VR HEX NUT	WITH VR	31
16	VR FLAT WASHER	WITH VR	31
17	MIC ASS'Y SCREW	007-0280-000	8
18	PHONE JACK HEX NUT	WITH JACK	17
19	PHONE JACK F WASHER	WITH JACK	17
20	RCA SCREW	007-0283-000	2
21	FLAT WASHER (MIXER)	007-0290-000	10
22	SPRING WASHER (MIXER)	007-0289-000	10
23	MIXER SCREW	007-0280-000	10



MIXER ASSEMBLY EXPLODED VIEW



No.	DESCRIPTION	PART NUMBER	QTY
1	SMPSU MODULE	007-0335-000	1
2	SHIELD CAN TOP	007-0252-000	1
3	SHIELD CAN BOTTOM	007-0251-000	1
4	POWER AMP PCB ASS'Y	007-0144-000	1
5	POWER DEVICE BRACKET	007-0349-000	4
6	RF FILTER TORIOD (GND)	007-0350-000	2
7	COMPARTMENT LATCH	007-0235-000	1
8	CAST ALUMINUM HEATSINK	007-0256-000	1
9	AMP BOARD BRACKET	007-0253-000	2
10	AMP\SMPSU SCREW	007-0286-000	8
11	MISC ASS'Y SCREW	007-0281-000	16
12	MISC FLAT WASHER	007-0290-000	16
13	MISC SPRING WASHER	007-0289-000	12

POWER AMPLIFIER / SMPSU EXPLODED VIEW

Fender **PASSPORT**
Mixer Ass'y Exploded View