

PASSPORT

POWERED PORTABLE
SOUND SYSTEM

SERVICE MANUAL

PN: 007-0324-000

FENDER PASSPORT

PN: 069-1001-XXX

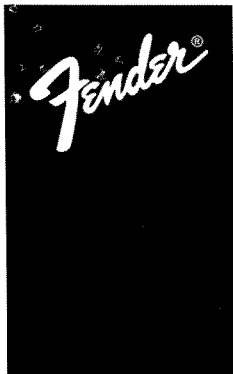
CONTENTS

Specifications	4
Theory of operation	5
Service notes and changes	7
Parts Lists:	
Mixer Board	8
1/4" Phone Jack Board	10
Mic/Line Board	10
Digital Reverb Board	11
Power Amp Board	12
Protection Board	14
Stereo Input Board	14
LED Indicator Board	14
SMPSU Board	15
Tower Case Ass'y	18
Speaker Cabinet Ass'y	20
Packing Accessories	21
Quick Repair Modules	21
Export Standard Parts Kit	22
Block Diagram	23
Schematic Diagrams	24
PCB Layout Drawings	27
Exploded View Diagrams	32



Fender Musical Instruments Corp.
7975 North Hayden Road
Scottsdale, AZ 85258

**THIS PAGE IS INTENTIONALLY
LEFT BLANK**



PASSPORT

POWERED PORTABLE
SOUND SYSTEM

SERVICE MANUAL

FEBRUARY 1997 REV A

IMPORTANT NOTICE:

The information contained herein is **CONFIDENTIAL** and **PROPRIETARY** to Fender Musical Instruments Co. It is disclosed solely for the use by qualified technicians for the purposes of equipment maintenance and service. It is not to be disclosed to others without the express written permission of Fender Musical Instruments Corporation. All specifications subject to change without notice.

For warranty repair service, only Fender specified part numbers are to be used. It is recommended they also be used for post-warranty maintenance and repair.

Parts marked with an asterisk (*) indicated the require use of that specific part. This is necessary for **RELIABLILITY** and **SAFETY** requirements. **DO NOT USE A SUBSTITUTE!**

A coded naming convention is used in the description of certain parts. The codes and what they mean are as follows:

CAPACITOR CODES

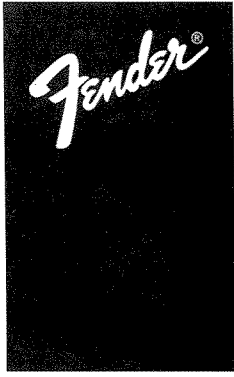
CAP AE	=	Aluminum Electrolytic
CAP CA	=	Ceramic Axial
CAP CD	=	Ceramic Disk
CAP MO	=	Ceramic Monolithic
CAP MPF	=	Metalized Polyester Film
CAP MY	=	Mylar
CAP PFF	=	Polyester Film/Foil

RESISTOR CODES

RES CC	=	Carbon Comp
RES CF	=	Carbon Film
RES FP	=	Flame Proof
RES MF	=	Metal Film
RES WW	=	Wire Wound

HARDWARE CODES

BLX	=	Black Oxide
CR	=	Chrome Plated
HWH	=	Hex Washer Head
M	=	Machine Screw
NI	=	Nickel Plated
OHP	=	Oval Head Phillips
PHB	=	Pan Head Phillips
PHPS	=	Pan Head Phillips Sems
SMA	=	Sheet Metal "A" Point
SMB	=	Sheet Metal "B" Point
SS	=	Stainless Steel
TF	=	Thread Forming
ZI	=	Zinc Plated



PASSPORT

POWERED PORTABLE
SOUND SYSTEM

SPECIFICATIONS

When we use the term dB to indicate a voltage amplification factor (gain), no reference is implied. 101dB of Voltage Amplification means that if you take 20 times the Log (base 10) of the output voltage divided by the input voltage, the answer will be 101 dB.

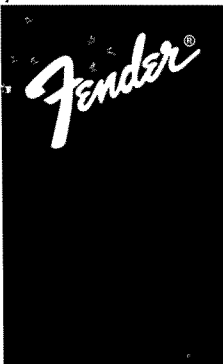
When we use the term dBu to indicate a voltage *level*, we are implying a 0.775 volt *reference* voltage level. Thus, a voltage level expressed as +4 dB was calculated by taking 20 times the log (base 10) of the actual voltage (1.23 volts) divided by the reference voltage (0.775 volts).

The choice of a 0.775 volt reference was not arbitrary. dBm is a common method of rating power levels (as opposed to our voltage level ratings). The 0 dBm reference is one milliwatt (1/1000th watt). If an output device produces 0 dBm into exactly 600 ohms, the voltage level is 0.775 volts. Thus, for true 600 ohm lines, the dBm power terminology and our dBu voltage terminology are equivalent.

Specifications are subject to change without notice.

System:

- Frequency Response: 20Hz. to 40kHz ± 1 dB (at send output)
30Hz. to 30kHz ± 2 dB (at speaker output with processor threshold exceeded)
- Distortion: <0.05% 20Hz. to 20kHz. @ below rated output
- Signal to Noise Ratio: >80dB @ 1W, DIN A
- Processor Frequencies: Level sensitive with boost at 70Hz. and 15kHz.
- Microphone EQ: Specially designed combinations of boost and cut.
- Stereo EQ: ± 12 dB @ 50Hz., ± 15 dB @ 15kHz.
- System EQ: Specially designed for differing acoustic environments.
- Gain Stages: +54dB ± 2 dB (Microphone input to send outputs)
+24dB ± 2 dB (line input to send output)
+0dB ± 2 dB (Stereo to tape output)
+12dB ± 2 dB (Stereo to send output)
+32dB ± 2 dB (Return to speaker output)
- Power Output: 125W/CH @ 4 or 8 ohms with both channels driven with THD <1%.
- Return Input Impedance: 47k ohms
- Channel Separation: >40dB @ 1kHz.
- Rev/Aux Return Sensitivity: 0dBu for rated output power @ 1kHz.



PASSPORT

POWERED PORTABLE
SOUND SYSTEM

THEORY OF OPERATION

MIXER SECTION

The mixer section is mainly made up of operational amplifiers as gain stages and therefore a technical description will not be used here. Following is a basic circuit description to familiarize you with the layout of the circuit.

The first section is made up of 4 microphone / line inputs each with a first stage preamplifier for balanced or unbalanced inputs (found on Mic input board), one knob contour control, auto-pad level control where the signal splits off into rev/aux send and main signals with the main signals going to a pan circuit. Here the main signal is split between left and right channel signal bus.

The second mixer section consists of two stereo pair inputs with RCA and 1/4" stereo phone jack connections. This circuit consists of an auto-pad level control, low frequency and high frequency tone controls, rev/aux send control and balance control with signals feeding the left and right audio bus.

The audio bus is connected to three FETs which perform ducking of the signals on the bus with the exception of channel one which is the drive circuit for the VIP ducking circuit. This function is provided by U2A. Bus signals are buffered and drive the tape output connections and are directed by SW1A/B which performs the function of switching this signal as left and right main with reverb mix or left and right summed into left and aux signal on right channels. Main left and right level controls are auto-pad configuration and drive the send output connectors. Note: *Channel 1 Mic/Line reverb function will be affected by VIP control making announcements on Channel 1 dry.*

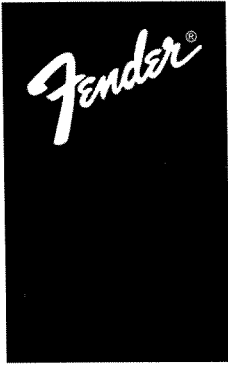
The mixer board also contains part of the signal processor circuit and the system EQ circuit for the power amplifier. These circuits are an integral part of the power amplifier and appear after the return signal path. These circuits will all be discussed later in this document.

Digital Reverb Section

The digital reverb section utilizes a digital reverb IC M65841SP (IC402) and one dual op amp (IC401A/B) to perform the reverb function. +5v regulation is on board with input voltage derived from the +15v supply. RC filters make up the timing functions and gain levels of the processor with regeneration and line driving provided by IC401A/B and regen mix provided by VR401 (this part may be fixed resistor on later models). Foot switch control of the reverb facility is provided and controlled by TR401 which controls the logic level at pin 2 of IC402. Reverb function is mono but fed to both right and left busses.

Signal Processor Circuit and System EQ Circuit

The signal processor is partially located on the mixer board but is an integral part of the power amplifier section. The operation of this circuit is performed by level detecting (Z204/207 on amp board) and storing (D204/205/209/210, C215,230 on amp board) the output peaks of the power amplifier to create approximately 0v bias at the gate of FET Q4 and Q5 on the mixer board. This in turn changes the filter characteristics of circuits made up around U16A/B which at low levels boosts the low and high



PASSPORT

POWERED PORTABLE
SOUND SYSTEM

THEORY OF OPERATION

Signal Processor Circuit and System EQ Circuit Cont.

frequencies of the signal. At high signal levels with the gate voltage approaching or at 0v, the circuit becomes flat in response. This circuit is post return and therefore does not modify the response of the signal at the send outputs.

Power Amplifier

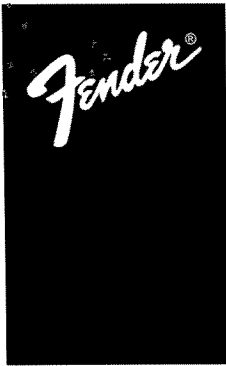
NOTE: In cases where the amplifier circuits are identical between the left and right channel. Only components related to the left channel will be discussed for simplicity.

The first section of the amplifier after the processor is comprised of FET Q201 which performs muting during power up and down of the unit. This is accomplished by controlling the gate voltage of the FET Q201 and the charge on C203. At initial power up the FET is biased on as the voltage across the gate is basically 0Vdc. As the negative rail increases, Z201 and R204 apply a negative voltage to the gate biasing Q201 into the off state. At power down, the gate of Q201 is pulled high with R206 and D201 as the negative rail collapses.

The first stage of voltage amplification is performed by a discrete differential circuit comprised of Q202,203,204,205. Each end of the differential pair provides drive to pre-driver complimentary transistors Q206,209 and Q207,210 the outputs of which are effectively summed through biasing transistor Q208 and VR202. It is interesting to note that if VR202 should become open circuited, bias current will be minimized and not destroy the output devices. Adjustment of VR202 is mainly to minimize crossover distortion at low signal levels as with conventional amplifiers. Gain of this stage is determined by $R217 (4.7k) \div R205 (120)$ or $4.7K \div 120 = 39.17$. In terms of dB we have, $20 \times \log (\text{base } 10) \text{ of } 39.17 = 31.85\text{dB}$. Distortion is minimized with negative feedback to one side of the differential pair allowing for low distortion. Typical distortion may be as low as 0.05% THD up to clipping.

The driver stage is a proprietary design which performs three main functions and is comprised of Q211,213. Firstly, this stage utilizes a bootstrap circuit made up of Z202,203, C210,211, D202,203, and R228. This circuit allows the driver transistors to swing above the rails eliminating the need for a higher voltage tap from the power supply and at the same time, minimizing the power dissipation in the drivers. Trickle current is supplied to the drivers during initial power up through R225,226 after which the bootstrap takes over. Secondly, having the drivers in this configuration allow the output to swing closer to the rails and keeps the drivers from clipping before the output devices. The third function of this circuit is that if the speaker outputs are shorted to ground, the drive to the output devices is minimized since the bootstrap circuit is discharged and only the trickle current is supplied to the driver stage, thus protecting the amplifier SOA.

The output section is comprised of Q212,215 and Q214,216 in a two up and two down configuration further increasing the amplifier SOA. Additional output protection is provided by the switched mode power supply which is discussed later.



PASSPORT

POWERED PORTABLE
SOUND SYSTEM

THEORY OF OPERATION

Switch Mode Power Supply Unit (SMPSU)

This unit is not recommended to be serviced in the field except by replacing the complete module as a total assembly. The following information is provided to assist in the trouble shooting of the unit. Please note that the mains fuse must be replaced with exactly the same grade of fuse for safety regulations and to avoid risk of damage and potential fire hazard.

The mains input to the SMPSU allows for operation from 90-130V in 115V setting and 190-250V in the 230V setting. The output of the SMPSU is $\pm 15\text{Vdc}$ to power the operation amplifiers and $\pm 51\text{Vdc}$ for the main power supply rails of the power amplifier. The unit also has connections for the LED status indicators, main power switch, amplifier protect circuit and aux. $\pm 36\text{Vdc}$ input for an optional DC-DC converter for 12Vdc operation. **SERVICE TIP:** You can connect to the aux. input to test the output voltage to the rails before you open the set for service to get an indication of a possible power supply fault as it is connected to the rail output. Do not short these terminals.

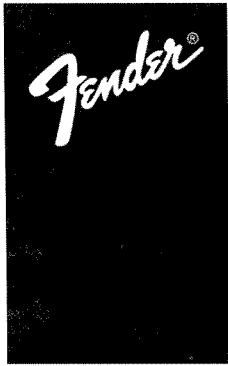
The SMPSU incorporates several protection circuits other than the fuses including over current protection in which the unit will shut down and the protect LED will light and must be reset with the main power switch. Secondly, the unit will protect itself if the voltage on the rails sags to below $\pm 33\text{Vdc}$ after which it will go into protect mode. The reason for this is that during normal operation with 8 ohm loading, the rails will remain at about $\pm 48\text{Vdc}$ and with 4 ohm loading are allowed by design to sag to around 36V at full output. If loads lower than this are applied, either the rails will sag lower or the current will be exceeded and the unit will go into the protection mode. The protection PCB connected to the amplifier board serves this purpose.

Service Notes on Changes and Updates

Mixer Board VIP circuit values for Z1 and R11 have been changed from 4.7V to 10V and 2.2M to 1M respectively after the first 100 sets production. This allows more even channel ducking and shorter ducking recovery time. Please update early sets if returned for service.

Stereo Power Amplifier circuit values for Z201, and R206 have been changed from 4.7V to 6.8V and 10K to 1K respectively after the first 100 sets production. These changes improve turn off transient pop noise. Please update early sets if returned for service.

Digital Reverb circuit value for VR401 is a fixed resistor in the first 100 sets production with a value of 18K. This resistor controls the reverberation regeneration feedback and its value may vary from model to model depending on the local requirements.



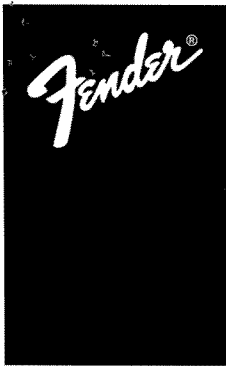
PASSPORT

POWERED PORTABLE
SOUND SYSTEM

PARTS LIST

MIXER SECTION PRINTED CIRCUIT BOARD ASSEMBLY

QTY	PART #	DESCRIPTION	REFERENCE DESIGNATION
18	007-0001-000	GP IC DUAL OP AMP TL072/TI	U1,2,3,4,5,6,7,8,9,10,11,12,13,14,15,16,17,18
6	007-0002-000	GP DIODE 1N4148	D1,2,3,4,5,6
2	007-0003-000	GP DIODE ZENER 10V 1/2W 5%	Z1
5	007-0004-000	GP XSTR N-CH JFET J112 TO-92	Q1,2,3,4,5
1	007-0022-000	GP WIRE AWG#22	@ VR 3A PIN 2 TO 3
6	007-0005-000	GP CAP MY .0015uF 100V 10%	C2,14,23,32,79,82
4	007-0006-000	GP CAP MY .0047uF 100V 10%	C86,87,88,89
6	007-0007-000	GP CAP MY .001uF 100V 10%	C46,47,59,60,74,76
4	007-0008-000	GP CAP MY .0015uF 100V 10%	C3,15,24,33
4	007-0009-000	GP CAP MY .0022uF 100V 10%	C48,49,61,62
4	007-0010-000	GP CAP MY .0047uF 100V 10%	C92,93,94,95
2	007-0011-000	GP CAP MY .01uF 100V 10%	C98,99
2	007-0012-000	GP CAP CD 22pF 50V 10%	C70,71
14	007-0013-000	GP CAP CD 33pF 50V 10%	C7,9,19,21,28,30,39,42,43,52,55,56,65
8	007-0014-000	GP CAP CD 47pF 50V 10%	C5,17,26,35,50,51,63,64
3	007-0015-000	GP CAP CD 100pF 50V 10%	C78,81
4	007-0016-000	GP CAP CD 680pF 50V 10%	C4,16,25,34
22	007-0017-000	GP CAP AE 1uf 50V 20%	C6,8,10,18,20,27,29,36,38,40,41,44,45,53,54,57,58,69,72,73,84,85
13	007-0018-000	GP CAP AE .47uF 50V 20%	C1,13,22,31,66,67,68,75,77,80,83
1	007-0019-000	GP CAP AE 10uF 25V 20%	C12
3	007-0020-000	GP RES CF 1/8W 5% 100Ω	R102,103,106
3	007-0021-000	GP RES CF 1/8W 5% 470Ω	R88,89,90
1	007-0022-000	GP RES CF 1/8W 5% 680Ω	R9
2	007-0023-000	GP RES CF 1/8W 5% 1K	R117,118
1	007-0024-000	GP RES CF 1/8W 5% 2.2K	R10
2	007-0025-000	GP RES CF 1/8W 5% 4.7K	R119,121
8	007-0026-000	GP RES CF 1/8W 5% 6.8K	R120,122,125,126,127,128,137,138
10	007-0027-000	GP RES CF 1/8W 5% 10K	R57,58,74,75,83,85,95,99,100,104
4	007-0028-000	GP RES CF 1/8W 5% 12K	R1,12,23,24
4	007-0029-000	GP RES CF 1/8W 5% 15K	R5,16,27,38
1	007-0030-000	GP RES CF 1/8W 5% 20K	R101
14	007-0031-000	GP RES CF 1/8W 5% 27K	R47,49,50,51,53,54,64,66,67,68,70,71,39,140
1	007-0032-000	GP RES CF 1/8W 5% 30K	R105
6	007-0033-000	GP RES CF 1/8W 5% 33K	R97,98,129,131,133,135
12	007-0034-000	GP RES CF 1/8W 5% 39K	R2,3,13,15,24,26,35,37,45,46,62,63



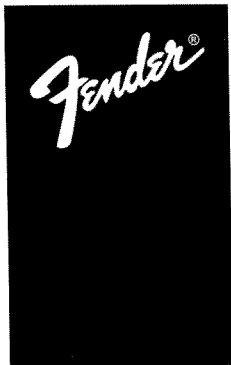
PASSPORT

POWERED PORTABLE
SOUND SYSTEM

PARTS LIST

MIXER SECTION PRINTED CIRCUIT BOARD ASSEMBLY CONTINUED

QTY	PART #	DESCRIPTION	REFERENCE DESIGNATION
9	007-0035-000	GP RES CF 1/8W 5% 47K	R48,52,65,69,81,109,112,123,124
8	007-0036-000	GP RES CF 1/8W 5% 68K	R6,17,28,39,55,56,72,73
13	007-0037-000	GP RES CF 1/8W 5% 82K	R4,14,19,21,22,25,30,32,33,36,41,43,44
20	007-0038-000	GP RES CF 1/8W 5% 100K	R7,8,18,20,29,31,40,42,79,80,86,87,94,96,107,108,130,132,134,136
10	007-0039-000	GP RES CF 1/8W 5% 120K	R59,60,61,76,77,78,82,84,141,142
2	007-0040-000	GP RES CF 1/8W 5% 470K	R111,114
7	007-0041-000	GP RES CF 1/8W 5% 1M	R91,92,93,110,113,115,116
1	007-0042-000	GP RES CF 1/8W 5% 2.2M	R11
4	007-0043-000	GP JUMPER WIRE .6MM X 4MM	
7	007-0044-000	GP JUMPER WIRE .6MM X 5MM	
42	007-0045-000	GP JUMPER WIRE .6MM X 6MM	
11	007-0046-000	GP JUMPER WIRE .6MM X 7MM	
32	007-0047-000	GP JUMPER WIRE .6MM X 8MM	
4	007-0048-000	GP JUMPER WIRE .6MM X 9MM	
27	007-0049-000	GP JUMPER WIRE .6MM X 10MM	
3	007-0050-000	GP JUMPER WIRE .6MM X 11MM	
15	007-0051-000	GP JUMPER WIRE .6MM X 12MM	
3	007-0052-000	GP JUMPER WIRE .6MM X 13MM	
5	007-0053-000	GP JUMPER WIRE .6MM X 14MM	
3	007-0054-000	GP JUMPER WIRE .6MM x 15MM	
3	007-0055-000	GP JUMPER WIRE .6MM X 16MM	
2	007-0056-000	GP JUMPER WIRE .6MM X 17MM	
2	007-0057-000*	GP CABLE JMPR 3CKT UL2547 450MM	
2	007-0058-000*	GP CABLE JMPR 3CKT UL2547 320MM	
1	007-0059-000*	GP CABLE JMPR 8CKT UL1007 450MM	
1	007-0060-000*	GP WIRE AWG#18 BLACK UL1007 200MM	
1	007-0061-000	GP JM2422-2M WAFER CONNECTOR	
1	007-0062-000	GP JM24182-6P WAFER CONNECTOR	
1	007-0063-000	GP JM24182-12P WAFER CONNECTOR	
14	007-0082-000	GP CONTROL VERT 100KX2 B	VR2A,3A,4A,7A,8A,11A,12A,15A,16A,18A/B,21A/B,25A,27A,30A
17	007-0083-000	GP CONTROL VERT 100KX2 B W/DETENT	VR1A,5A/B,6A,9A/B,10A,13A/B,14A,17A/B,19A/B,20A/B,22A/B,23A/B,24A,26A,28A,29A,31A/B
1	007-0084-000	GP SWITCH SLIDE 2P2T PCB SHORTING	SW1A/B
4	007-0085-000	GP NY PCB STANDOFF (REVERB BOARD)	
1	007-0064-000	GP PCB ASSY MIXER	(RAW BOARD)
1	007-0065-000	GP PCB ASSY MIXER	(STUFFED)



PASSPORT

POWERED PORTABLE
SOUND SYSTEM

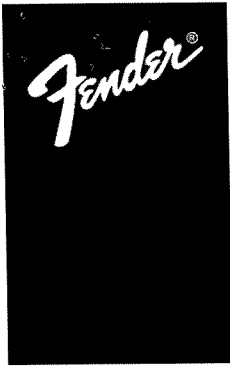
PARTS LIST

1/4 PHONE JACK SECTION PRINTED CIRCUIT BOARD ASSEMBLY

QTY	PART #	DESCRIPTION	REFERENCE DESIGNATION
2	007-0020-000	GP RES CF 1/8W 5% 100Ω	R529,530
1	007-0046-000	GP JUMPER WIRE .6MM X 7MM	
1	007-0051-000	GP JUMPER WIRE .6MM X 12MM	
1	007-0065-000*	GP CABLE JMPR 12CKT UL1007 300MM	
1	007-0060-000*	GP WIRE AWG#18 BLACK UL1007 200MM	
5	007-0066-000	GP JM24182-3P WAFER CONNECTOR	
1	007-0062-000	GP JM24182-6P WAFER CONNECTOR	
7	007-0067-000	GP JACK PCB STEREO	
10	007-0068-000	GP JACK PCB MONO	
1	007-0217-000	GP CABLE JMPR 2CKT AWG#18 OFC 600MM	TO AMP SPEAKER + OUTPUT
1	007-0069-000	GP PCB ASSY PHONE JACK	(RAW BOARD)
1	007-0070-000	GP PCB ASSY PHONE JACK	(STUFFED)

MIC / LINE AMPLIFIER SECTION PRINTED CIRCUIT BOARD ASSEMBLY

QTY	PART #	DESCRIPTION	REFERENCE DESIGNATION
4	007-0071-000	GP IC DUAL OP AMP LM833	U501,502,503,504
16	007-0002-000	GP DIODE 1N4148	D501,502,503,504,505,506,507,508, 509,510,511,512,513,514,515,516
4	007-0015-000	GP CAP CD 100pF 50V 10%	C503,506,509,512
8	007-0072-000	GP CAP AE 2.2uF 50V 20%	C501,502,504,505,507,508,510,511
2	007-0073-000	GP CAP MY .1uF 100V 10%	C513,514
8	007-0023-000	GP RES CF 1/8W 5% 1K	R503,504,510,511,517,518,524,525
20	007-0033-000	GP RES CF 1/8W 5% 33K	R501,502,505,506,507,508,509,512, 513,514,515,516,519,520,521,522 523,526,527,528
5	007-0045-000	GP JUMPER WIRE .6MM X 6MM	
5	007-0046-000	GP JUMPER WIRE .6MM X 7MM	
1	007-0047-000	GP JUMPER WIRE .6MM X 8MM	
4	007-0074-000	GP CABLE WIRE 3CKT UL2547 100MM	@ MIC PCB
1	007-0075-000	GP CABLE JMPR 6CKT UL2547 180MM	
1	007-0076-000	GP CABLE JMPR 5CKT UL2547 280MM	
1	007-0077-000	GP CONNECTOR SPADE TAB (GROUND)	
4	007-0078-000	GP JACK XLR PC 90 DEGREE	MIC INPUT
1	007-0079-000	GP JACK RCA PC 90 DEGREE 4 CKT	STEREO INPUT
1	007-0080-000	GP PCB ASSY MIC PREAMP	(RAW BOARD)
1	007-0081-000	GP PCB ASSY MIC PREAMP	(STUFFED)



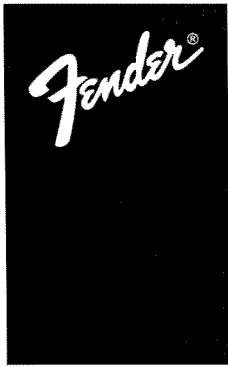
PASSPORT

POWERED PORTABLE
SOUND SYSTEM

PARTS LIST

DIGITAL REVERB SECTION PRINTED CIRCUIT BOARD ASSEMBLY

QTY	PART #	DESCRIPTION	REFERENCE DESIGNATION
1	007-0086-000	GP IC DIGITAL REVERB M65841SP	IC402
1	007-0001-000	GP IC DUAL OP AMP TL072/TI	IC401
1	007-0087-000	GP IC REGULATOPR +5V NJM78L05 TO-92	IC403
1	007-0088-000	GP XSTR NPN 9012G/H TO-92	TR401
1	007-0089-000	GP CAP MY .0056uF 100V 10%	C406
3	007-0010-000	GP CAP MY .047uF 100V 10%	C408,409,410
7	007-0011-000	GP CAP MY .01uF 100V 10%	C412,414,416
2	007-0090-000	GP CAP MO .1Uf 50V 20%	C401,403,C420,423
6	007-0091-000	GP CAP MO .33uF 50V 20%	C411,413,415
2	007-0092-000	GP CAP CD 27pF 50V 20%	C424,425
2	007-0093-000	GP CAP CD 560pF 50V 20%	C404,407
1	007-0339-000	GP CAP MO .033uF 50V 20%	C402
1	007-0019-000	GP CAP AE 10uF 25V 20%	C419
1	007-0094-000	GP CAP AE 47uF 10V 20%	C422
1	007-0095-000	GP CAP AE 100uF 10V 20%	C421
1	007-0096-000	GP CAP AE NP 1uF 50V 20%	C405
1	007-0190-000	GP RES CF 1/8W 5% 22 Ω	R423
3	007-0097-000	GP RES CF 1/8W 5% 33K	R411,413,415
2	007-0023-000	GP RES CF 1/8W 5% 1K	R428,429
2	007-0098-000	GP RES CF 1/8W 5% 3.3K	R401,425
3	007-0025-000	GP RES CF 1/8W 5% 4.7K	R412,414,416
6	007-0099-000	GP RES CF 1/8W 5% 7.5K	R418,420,422
3	007-0027-000	GP RES CF 1/8W 5% 10K	R402,408,426
7	007-0029-000	GP RES CF 1/8W 5% 15K	R403,404,405,406,407,409,410
3	007-0035-000	GP RES CF 1/8W 5% 47K	R432,433,434
6	007-0100-000	GP RES CF 1/8W 5% 75K	R417,419,421
1	007-0038-000	GP RES CF 1/8W 5% 100K	R427
1	007-0041-000	GP RES CF 1/8W 5% 1M	R430
1	007-0101-000	GP CERAMIC RESONATOR 4.19MHz	X401
1	007-0102-000	GP RES SEMI-FIX 50K	VR401 (may be fixed value)
4	007-0045-000	GP JUMPER WIRE .6MM X 6MM	
1	007-0047-000	GP JUMPER WIRE .6MM X 8MM	
1	007-0049-000	GP JUMPER WIRE .6MM X 10MM	
1	007-0053-000	GP JUMPER WIRE .6MM X 14MM	
1	007-0062-000	GP JM24182-6P WAFER CONNECTOR	
1	007-0103-000	GP PCB ASSY REVERB	(RAW BOARD)
1	007-0104-000	GP PCB ASSY REVERB	(STUFFED)



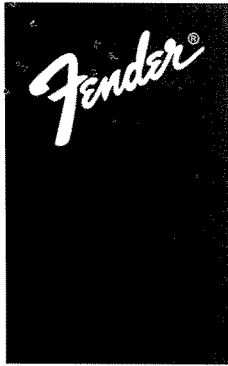
PASSPORT

POWERED PORTABLE
SOUND SYSTEM

PARTS LIST

STEREO POWER AMPLIFIER SECTION PRINTED CIRCUIT BOARD ASSEMBLY

QTY	PART #	DESCRIPTION	REFERENCE DESIGNATION
2	007-0105-000	GP SPRING COIL (INDUCTOR)	L201,202
2	007-0004-000	GP XSTR N-CH JFET J112 TO-92	Q201,217
8	007-0106-000	GP XSTR NPN MPSA06 TO-92	Q202,203,206,208,218,219,222,224
6	007-0107-000	GP XSTR PNP MPSA56 TO-92	Q204,205,209,220,221,225
2	007-0108-000	GP XSTR NPN MPSA43 TO-92	Q210,226
2	007-0109-000	GP XSTR PNP MPSA93 TO-92	Q207,223
2	007-0110-000	GP XSTR NPN BD139 TO-126	Q211,227
2	007-0111-000	GP XSTR PNP BD140 TO-126	Q213,229
4	007-0112-000	GP XSTR NPN 2SC2987A TO-3P	Q212,215,228,231
4	007-0113-000	GP XSTR PNP 2SA1227A TO-3P	Q214,216,230,232
10	007-0002-000	GP DIODE 1N4148	D201,202,203,204,205,206,207,208, 209,210
2	007-0114-000	GP DIODE ZENER 30V 1/2W 5%	Z204,207
1	007-0351-000	GP DIODE ZENER 6.8V 1W 5%	Z201,value may vary by model
4	007-0115-000	GP DIODE ZENER 4.7V 1W 5%	Z202,203,205,206
4	007-0014-000	GP CAP CD 47pF 50V 10%	C207,209,222,224
2	007-0015-000	GP CAP CD 100pF 50V 10%	C201,216
2	007-0116-000	GP CAP CD 220pF 50V 10%	C208,223
2	007-0117-000	GP CAP CD 470pF 50V 10%	C204,219
2	007-0118-000	GP CAP CD 1000pF 50V 10%	C231,232
2	007-0073-000	GP CAP MY .1uF 100V 10%	C214,229
4	007-0017-000	GP CAP AE 1uF 50V 20%	C202,203,217,218
2	007-0119-000	GP CAP AE 47uF 50V 20%	C215,230
4	007-0120-000	GP CAP AE 10uF 63V 20%	C212,213,227,228
4	007-0121-000	GP CAP AE 100uF 16V 20%	C205,206,220,221
4	007-0122-000	GP CAP AE 1000uF 16V 20%	C210,211,225,226
4	007-0123-000	GP RES CC 1/4W 5% 100Ω	R219,222,248,251
2	007-0124-000	GP RES CC 1/4W 5% 120Ω	R205,234
4	007-0125-000	GP RES CC 1/4W 5% 150Ω	R214,218,243,247
1	007-0023-000	GP RES CC 1/4W 5% 1K	R206,value may vary by model
6	007-0126-000	GP RES CC 1/4W 5% 1.5K	R207,211,216,236,240,245
2	007-0127-000	GP RES CC 1/4W 5% 3.9K	R215,244
2	007-0128-000	GP RES CC 1/4W 5% 5.6K	R203,232
2	007-0130-000	GP RES CC 1/4W 5% 12K	R202,231
4	007-0131-000	GP RES CC 1/4W 5% 47K	R201,213,230,242
8	007-0132-000	GP RES CC 1/4W 5% 120K	R208,209,210,212,237,238,239,241
2	007-0133-000	GP RES CC 1/4W 5% 3.3M	R204,233
2	007-0134-000	GP RES CC 1/2W 5% 1K	R229,258
2	007-0135-000	GP RES CC 1/2W 5% 4.7K	R217,246



PASSPORT

POWERED PORTABLE
SOUND SYSTEM

PARTS LIST

STEREO POWER AMPLIFIER SECTION PRINTED CIRCUIT BOARD ASSEMBLY CONTINUED

QTY	PART #	DESCRIPTION	REFERENCE DESIGNATION
2	007-0136-000	GP RES CC 2W 5% 4.7Ω	R227,256
4	007-0137-000	GP RES CC 2W 5% 6.8K	R225,226,254,255
8	007-0138-000	GP RES WW 5W 5% .22Ω	R220,221,223,224,249,250,252, 253
2	007-0139-000	GP RES WW 5W 5% 270Ω	228,257
2	007-0140-000	GP RES SEMI-FIX 200Ω	VR202,204
2	007-0137-000	GP RES SEMIFIX 100K	VR201,203
1	007-0061-000	GP JM2422-2M WAFER CONNECTOR	SPEAKER CONNECTION
1	007-0338-000	GP JM2422-4M WAFER CONNECTOR	±50V CONNECTION + GROUND
2	007-0066-000	GP JM24182-3P WAFER CONNECTOR	FROM PROCESSOR BOARD
1	007-0044-000	GP JUMPER WIRE .6MM X 5MM	
9	007-0045-000	GP JUMPER WIRE .6MM X 6MM	
5	007-0047-000	GP JUMPER WIRE .6MM X 8MM	
3	007-0049-000	GP JUMPER WIRE .6MM X 10MM	
3	007-0051-000	GP JUMPER WIRE .6MM X 12MM	
4	007-0053-000	GP JUMPER WIRE .6MM X 14MM	
2	007-0055-000	GP JUMPER WIRE .6MM X 16MM	
1	007-0141-000	GP JUMPER WIRE .6MM X 18MM	
4	007-0142-000	GP JUMPER WIRE .8MM X 16MM	
1	007-0143-000	GP PCB ASSY POWER AMPLIFIER	(RAW BOARD)
1	007-0144-000	GP PCB ASSY POWER AMPLIFIER	(STUFFED)



PASSPORT

POWERED PORTABLE
SOUND SYSTEM

PARTS LIST

AMPLIFIER PROTECTION CIRCUIT PRINTED CIRCUIT BOARD ASSEMBLY

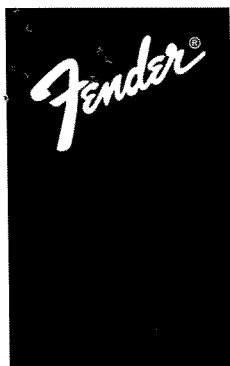
QTY	PART #	DESCRIPTION	REFERENCE DESIGNATION
1	007-0108-000	GP XSTR NPN MPSA43 TO-92	Q601
1	007-0002-000	GP DIODE 1N4148	D601
1	007-0145-000	GP DIODE ZENER 5.1V 1/2W 5%	Z602
1	007-0146-000	GP DIODE ZENER 12V 1/2W 5%	Z601
1	007-0147-000	GP DIODE ZENER 15V 1/2W 5%	Z603
1	007-0121-000	GP CAP AE 100uF 16V 20%	C601
1	007-0148-000	GP RES CC 1/4W 5% 3.3K	R604
2	007-0129-000	GP RES CC 1/4W 5% 10K	R601,603
1	007-0147-000	GP RES CC 1/4W 5% 100K	R605
1	007-0135-000	GP RES CC 1/2W 5% 4.7K	R602
1	007-0150-000	GP PCB ASSY AMPLIFIER PROTECT	(RAW BOARD)
1	007-0151-000	GP PCB ASSY AMPLIFIER PROTECT	(STUFFED)

RCA TAPE OUTPUT PRINTED CIRCUIT BOARD ASSEMBLY

QTY	PART #	DESCRIPTION	REFERENCE DESIGNATION
1	007-0066-000	GP JM24182-3P WAFER CONNECTOR	TO PROCESSOR BOARD
1	007-0152-000	GP JACK RCA PC 90 DEGREE 2 CKT	TAPE OUTPUT
1	007-0153-000	GP PCB ASSY TAPE OUTPUT	(RAW BOARD)
1	007-0154-000	GP PCB ASSY TAPE OUTPUT	(STUFFED)

LED INDICATORS PRINTED CIRCUIT BOARD ASSEMBLY

QTY	PART #	DESCRIPTION	REFERENCE DESIGNATION
1	007-0155-000	GP LED GREEN 3MM DIFFUSED (POWER)	D27
1	007-0156-000	GP LED RED 3MM DIFFUSED (PROTECT)	D23
4	007-0157-000	GP INSULATION SLEEVE .5MM X 4MM	LED LEADS1
1	007-0257-000	GP JM24182-4P WAFER CONNECTOR	TO SMPSU
1	007-0158-000	GP PCB ASSY LED INDICATORS	(RAW BOARD)
1	007-0159-000	GP PCB ASSY LED INDICATORS	(STUFFED)



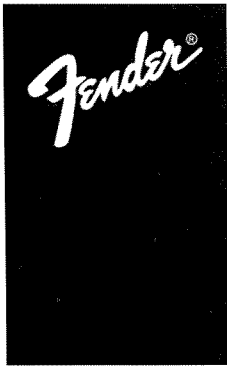
PASSPORT

POWERED PORTABLE
SOUND SYSTEM

PARTS LIST

SWITCHED MODE PSU CIRCUIT PRINTED CIRCUIT BOARD ASSEMBLY

QTY	PART #	DESCRIPTION	REFERENCE DESIGNATION
1	007-0160-000	GP TRANSFORMER EE-16	T4
1	007-0161-000	GP CHOKE COIL TOROID 18X12X6MM	L4
1	007-0162-000	GP TRANSFORMER TOROID 12X6X4MM	T1
2	007-0163-000	GP CHOKE COIL TOROID T80-26	L1,2
1	007-0164-000	GP CHOKE COIL EE-35 COM MODE	L3
1	007-0165-000	GP CHOKE COIL TOROID T50-90	L5
1	007-0166-000	GP CHOKE COIL TOROID 12X6X4MM RF	L102
1	007-0167-000	GP TRANSFORMER EI-28 50/60HZ	50 Hz TRF
1	007-0168-000	GP TRANSFORMER EE-42 130KHz	T3
1	007-0169-000	GP CHOKE COIL TOROID T30-40 RF	L101
1	007-0170-000	GP CHOKE COIL EI-41/26.5 PFC	P.FACTOR TRF
1	007-0171-000	GP IC SWITCH MODE CONT.UC3842AN	U3
1	007-0172-000	GP IC REGULATOR +15V NJM7815 TO-220	U2
1	007-0173-000	GP IC REGULATOR -15V NJM7915 TO-220	U1
5	007-0174-000	GP DIODE 1N4001	D15,16,18,25,26
5	007-0002-000	GP DIODE 1N4148	D9,19,21,22,24
1	007-0175-000	GP DIODE RECTIFIER BRIDGE BR108	D1
4	007-0176-000	GP DIODE MUR1540 FAST RECOVER	D10,11,12,13
1	007-0114-000	GP DIODE ZENER 30V 1/2W 5%	D30
1	007-0177-000	GP DIODE ZENER 18V 1/2W 5%	D30
4	007-0178-000	GP XSTR POWER FET IRF840	Q1,2,3,4
3	007-0179-000	GP XSTR NPN 2N3904 TO-92	Q5,7,8
1	007-0180-000	GP XSTR PNP 2N3906 TO-92	Q6
2	007-0011-000	GP CAP MY .01uF 100V 10%	C25,27
1	007-0007-000	GP CAP MY .001uF 100V 10%	C23
1	007-0006-000	GP CAP MY .0047uF 100V 10%	C24
1	007-0181-000	GP CAP MY .0022uF 100V 10%	C26
6	007-0092-000	GP CAP MO .1uF 50V 20%	C17,18,20,22,28,32
5	007-0119-000	GP CAP AE 47uF 50V 20%	C13,14,15,16,30
1	007-0072-000	GP CAP AE 2.2uF 50V 20%	C29
1	007-0182-000	GP CAP AE 100uF 50V 20%	C31
1	007-0183-000	GP CAP AE 470uF 25V 20%	C8
2	007-0184-000	GP CAP AE 470uF 63V 20%	C11,12
2	007-0185-000*	GP CAP AE 560uF 250V 20%	C5,6
1	007-0186-000	GP CAP CD 100Pf 1kV 10%	C7
2	007-0187-000	GP CAP CD 470Pf 1kV 10%	C9,10
2	007-0188-000*	GP CAP MPF .33uF 275V 20%	C1,2
2	007-0189-000*	GP CAP 330pF* 400V 20%	C3,C4 Value may vary by Model



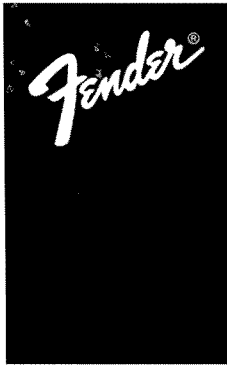
PASSPORT

POWERED PORTABLE
SOUND SYSTEM

PARTS LIST

SWITCHED MODE PSU CIRCUIT PRINTED CIRCUIT BOARD ASSEMBLY CONTINUED

QTY	PART #	DESCRIPTION	REFERENCE DESIGNATION
1	007-0190-000	GP RES CC 1/4W 5% 22Ω	R18
4	007-0191-000	GP RES CC 1/4W 5% 51Ω	R4,5,7,8
1	007-0192-000	GP RES CC 1/4W 5% 180Ω	R19
1	007-0193-000	GP RES CC 1/4W 5% 470Ω	R21
1	007-0194-000	GP RES CC 1/4W 5% 680Ω	R22
6	007-0195-000	GP RES CC 1/4W 5% 1K	R6,9,29,35,36,37
3	007-0126-000	GP RES CC 1/4W 5% 1.5K	R31,32,38
1	007-0196-000	GP RES CC 1/4W 5% 4.7K	R33
2	007-0129-000	GP RES CC 1/4W 5% 10K	R24,26
1	007-0197-000	GP RES CC 1/4W 5% 20K	R28
1	007-0198-000	GP RES CC 1/4W 5% 24K	R30
1	007-0199-000	GP RES CC 1/4W 5% 200K	R23
1	007-0200-000	GP RES CC 1/4W 5% 270K	R20
3	007-0201-000	GP RES CC 1/2W 5% 1.5K	R11,12,34
2	007-0202-000	GP RES CC 1/2W 5% 100K	R2,3
1	007-0203-000	GP RES CC 1/2W 5% 470K	R1
2	007-0204-000	GP RES CC 1W 5% 2.2K	R11,12
2	007-0205-000	GP RES CC 2W 5% 47Ω	R13,14
1	007-0206-000	GP RES CC 2W 5% 100Ω	R10
2	007-0207-000	GP RES WW 2W 5% 180Ω	R15,16
1	007-0044-000	GP JUMPER WIRE .6MM X 5MM	
2	007-0046-000	GP JUMPER WIRE .6MM X 7MM	
2	007-0047-000	GP JUMPER WIRE .6MM X 8MM	
4	007-0049-000	GP JUMPER WIRE .6MM X 10MM	
2	007-0052-000	GP JUMPER WIRE .6MM X 13MM	
3	007-0054-000	GP JUMPER WIRE .6MM X 15MM	
1	007-0208-000	GP JUMPER WIRE .6MM X 23MM	
2	007-0209-000	GP SLEEVE INSULATOR 5MM X 13MM	
1	007-0210-000	GP SLEEVE INSULATOR 5MM X 15MM	
1	007-0211-000	GP SLEEVE INSULATOR 5MM X 23MM	
1	007-0212-000*	GP SPARK GAP SURGE ARRESTOR	SPARK GAP
1	007-0213-000	GP RES SEMI-FIX 1K	VR1
2	007-0214-000	GP CABLE JMPR AWG#18 UL1007 450MM	FROM IEC SOCKET
1	007-0215-000	GP CABLE JMPR 2CKT UL1007 600MM	±15V TO MIXER BOARD
1	007-0216-000	GP CABLE JMPR 2CKT UL1007 220MM	TO SPEAKER CONNECTORS
1	007-0218-000	GP CABLE JMPR 2CKT UL1007 220MM	TO GROUND @ PH JACK BOARD
1	007-0219-000	GP CABLE JMPR 4CKT UL1007 600MM	TO ±50V INPUT AT AMP BOARD



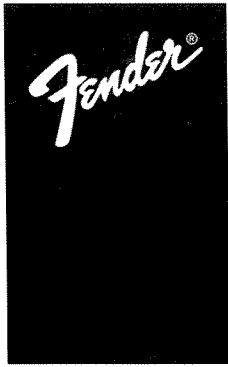
PASSPORT

POWERED PORTABLE
SOUND SYSTEM

PARTS LIST

SWITCHED MODE PSU CIRCUIT
PRINTED CIRCUIT BOARD ASSEMBLY
CONTINUED

QTY	PART #	DESCRIPTION	REFERENCE DESIGNATION
1	007-0220-000	GP CABLE JMPR 4CKT UL1007 800MM	FROM ± 36 VOLT INPUT CONN.
1	007-0221-000	GP CABLE JMPR UL1007 100MM	FROM +36 VOLT FUSE CONN.
1	007-0222-000	GP CABLE JMPR UL1007 100MM	FROM -36 VOLT FUSE CONN.
1	007-0223-000	GP CABLE JNPR 4CKT UL1007 600MM	TO LED INDICATOR CKT BOARD
1	007-0224-000	GP CABLE JMPR 2CKT UL1007 60MM	TO PSU FAN
1	007-0225-000	GP CABLE JMPR UL1007 220MM	TO 120/240 VOLTAGE SELECTOR
1	007-0226-000	GP CABLE JMPR UL1007 220MM	TO 120/240 VOLTAGE SELECTOR
1	007-0227-000	GP JM24182-2P WAFER CONNECTOR	TO PSU FAN
1	007-0228-000	GP JM2422-3M WAFER CONNECTOR	FROM AC IN
1	007-0229-000	GP PCB ASSY SMPSU SECTION	(RAW BOARD)
1	007-0230-000	GP PCB ASSY SMPSU SECTION	(STUFFED)



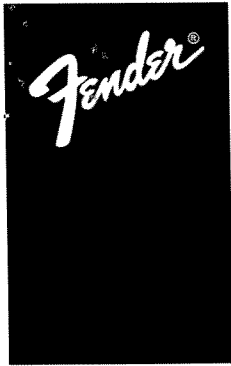
PASSPORT

POWERED PORTABLE
SOUND SYSTEM

PARTS LIST

MAIN TOWER CASE ASSEMBLY

QTY	PART #	DESCRIPTION	REFERENCE DESIGNATION
1	007-0231-000	GP FRONT PANEL OVERLAY	1454-1851-0
1	007-0232-000	GP TOWER SIDE CABINET (A) PP	1463-7800-0
1	007-0258-000	GP TOWER SIDE CABINET (B) W/TAP PP	1463-7800-0
2	007-0233-000	GP HANDLE LATCH	1463-7900-0
1	007-0234-000	GP TOWER COMPARTMENT DOOR	1463-8100-0
1	007-0235-000	GP DOOR SLIDE LATCH PC	1463-8200-0
2	007-0236-000	GP MASTER LEVEL KNOBS	1463-8400-0
29	007-0237-000	GP MIXER CONTROL KNOBS	1463-8500-0
2	007-0238-000	GP TOWER FOOT BAR	1463-9400-0
4	007-0239-000	GP RIB (AT TOP OF TOWER FOR O RING)	1463-9500-0
2	007-0240-000	GP SPKR LATCH SAFETY CATCH LEVER	1463-9600-0
1	007-0241-000	GP HANDLE COVER	1463-9800-0
1	007-0242-000	GP COMPARTMENT WALL PARTITION PP	1463-9900-0
2	007-0243-000	GP SPRUE CAP ON SIDE OF TOWER PP	1464-1300-0
2	007-0244-000	GP NAME PLATE BADGE	1464-1800-0
1	007-0245-000	GP FRONT SHEET METAL PANEL ZI	4132-4221-0
2	007-0246-000	GP FOOT SUPPORT STEEL BAR ZI	4132-4281-0
2	007-0247-000	GP SPKR LATCH TENSION SPRING COIL	2617-3-B
4	007-0248-000	GP SPKR LATCH LINKAGE U BARS SS	4132-4321-0
2	007-0249-000	GP SPKR LATCH HINGE PLATE SS	4132-4341-1
1	007-0251-000	GP SMPSU SHIELD CAN BOTTOM ZI	4132-4331-0
1	007-0252-000	GP SMPSU SHIELD CAN TOP ZI	4132-4351-0
2	007-0253-000	GP MOUNTING BRACKET (AMP PCB) ZI	4132-4361-0
4	007-0254-000	GP SMALL 'L' MOUNTING BRACKET ZI	4132-4401-0
4	007-0255-000	GP LONG 'L' MOUNTING BRACKET ZI	4132-4481-0
1	007-0256-000	GP DIE CAST HEAT SINK	5400-1321-0
1	007-0144-000	GP POWER AMPLIFIER PCB ASSEMBLY	
1	007-0230-000	GP SMPSU PCB ASSEMBLY	
1	007-0065-000	GP MIXER PCB ASSEMBLY	
1	007-0104-000	GP REVERB PCB ASSEMBLY	
1	007-0081-000	GP MIC PREAMP PCB ASSEMBLY	
1	007-0070-000	GP PHONE JACK PCB ASSEMBLY	
1	007-0159-000	GP LED INDICATORS PCB ASSEMBLY	
1	007-0154-000	GP TAPE OUTPUT PCB ASSEMBLY	
1	007-0151-000	GP AMPLIFIER PROTECT PCB ASSEMBLY	
1	007-0259-000	GP 750MM 'O' RING TOWER SEAL	4152-2091-0
2	007-0350-000	GP IRON POWDER TOROID CORE (GND)	1-01-205
1	007-0261-000	GP 12V COOLING FAN FOR SMPSU	
1	007-0262-000	GP WIRE BUSHING	SUPPLY CASE TO AC SWITCH
1	007-0263-000	GP WIRE BUSHING	POWER SUPPLY TO INTERNALS



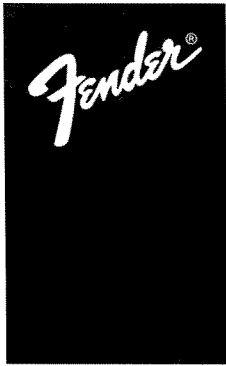
PASSPORT

POWERED PORTABLE
SOUND SYSTEM

PARTS LIST

MAIN TOWER CASE ASSEMBLY CONT.

QTY	PART #	DESCRIPTION	REFERENCE DESIGNATION
1	007-0264-000*	GP IEC AC/FUSE PANEL MOUNT SOCKET	1-29-014
2	007-0265-000*	GP 6.3A TIME LAG FUSE	S505-6.3A
1	007-0267-000*	GP AC POWER SWITCH 2P1T	1-27-086 M372-499-2R1 ZYT
2	007-0268-000*	GP GM TYPE FUSE HOLDER HOUSING	1-29-130
4	007-0278-000	GP GM FUSE CONNECTOR INSERTS	1-34-311
8	007-0270-000	GP MICA INSULATOR TO-30 25X20MM	1-32-006
4	007-0271-000	GP MICA INSULATOR 18 X12.7MM	1-32-005
20	007-0272-000	GP NYLON CABLE TIE 100MM	1-42-201
1	007-0273-000	GP BRASS PCB STANDOFF TUBE 6.2MM	2617-8
4	007-0274-000	GP SHIELD CAN MOUNTING BRACKET	2617-7
1	007-0347-000	GP AUX / REV SWITCH COVER	2617-9
1	007-0348-000	GP MIC/LINE/PHONE JACK SHIELD PLATE	2617-6
4	007-0349-000	GP POWER DEVICE MOUNTING BRACKET	2617-4
1	007-0275-000	GP SAFETY LABEL	
1	007-0276-000	GP SERIAL NUMBER LABEL	
17	007-0277-000	GP NUT HEX M12 NI PHONE JACK MOUNT	2640-1220-1403
17	007-0279-000	GP FLAT WASHER NI PHONE JACK MOUNT	2666-12
30	007-0280-000	GP SCRW 3X6MM PHPS BLX	SMPSU/MIXER ASSY
20	007-0281-000	GP SCRW 3X8MM PHPS BLX	HEAT SINK ASSY
8	007-0282-000	GP SCRW 3X8MMTF NI	FRONT PANEL
2	007-0283-000	GP SCRW 3X.5X5MM PHB NI	SMPSU COMPONENT MOUNT
8	007-0284-000	GP SCRW 3X.5X8MM PHPS NI	FRONT PANEL
4	007-0285-000	GP SCRW 3X10MM FLT HEAD	IEC AC CONNECTOR, LATCH
10	007-0286-000	GP SCRW 3X.5MMX12MM PHPS BLX	HEAT SINK ASSY
8	007-0287-000	GP SCRW 3X16MM PHPS BLX	POWER AMP ASSY
5	007-0288-000	GP NUT M3 NI	SMPSU ASSY
20	007-0289-000	GP WASHER SPRING TYPE M3 BLX	MISC.
20	007-0290-000	GP WASHER FLAT TYPE MX BLX	MISC.
8	007-0337-000	GP WASHER SPRING TYPE M3 ZI	FRONT PANEL
1	007-0291-000	GP WASHER TEETH M4X4.3MM	EARTH GROUND
1	007-0292-000	GP NUT M4 NI	EARTH GROUND
1	007-0293-000	GP WASHER SPRING TYPE NI	EARTH GROUND
4	007-0294-000	GP SCRW 3X12MM PHB BLX	LATCH ASSY
16	007-0295-000	GP SCRW 3X8MM PHB BLX	LATCH ASSY
16	007-0296-000	GP SCRW 4X10MM PHB BLX	HANDLE ASSY
4	007-0297-000	GP SCRW 4X30MM PHB BLX	TOWER ASSY
4	007-0298-000	GP SCRW 3X6 M BLX	POWER AMP BRACKET
2	007-0299-000	GP SCRW 3X6 M BLX	VOLTAGE SWITCH
8	007-0300-000	GP SCRW 4X16MM BLX	FOOT ASSY
2	007-0345-000	GP RUBBER PLUG	HANDLE SCREW COVER



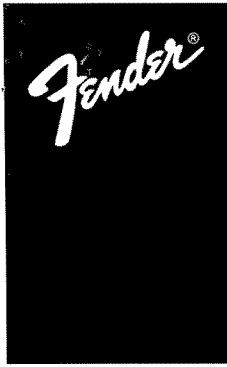
PASSPORT

POWERED PORTABLE
SOUND SYSTEM

PARTS LIST

SPEAKER CABINET ASSEMBLY

QTY	PART #	DESCRIPTION	REFERENCE DESIGNATION
2	007-0340-000	GP SPKR STAND PLUG GASKET	4151-2091-1
2	007-0301-000	GP SPKR STAND PLUG	1463-9100-0
2	007-0302-000	GP SPKR BACK BOX	1463-8700-0
2	007-0303-000	GP SPKR BAFFLE	1463-8800-0
2	007-0304-000	GP BAFFLE RUBBER GASKET	4152-2081-0
2	007-0305-000	GP SPKR BACK BOX COSMETIC TRIM	1464-1200-0
2	007-0306-000	GP SPKR FOOT (LEFT)	1464-1500-0
2	007-0307-000	GP SPKR FOOT (RIGHT)	1464-1600-0
2	007-0308-000	GP SPRUE CAP AT BACK OF SPKR BOX	1464-1300-0
2	007-0243-000	GP SPKR GRILLE MESH	4132-4271-0
8	007-0309-000	GP 6.5" FULL RANGE DRIVER 40 W	1525-0830-0
2	007-0310-000*	GP NAME PLATE BADGE	1463-9300-0
2	007-0311-000	GP JACK 1/4 PCB MONO	
48	007-0068-000	GP SCRW 4X10 TF BLX	SPKR BAFFLE/BOX ASSY
20	007-0312-000	GP SCRW 5X20 TF BLX	BAFFLE MOUNTING
12	007-0313-000	GP SCRW 4X8 TF BLX	SPKR FOOT ASSY
8	007-0314-000	GP SCRW 6X25 TF BLX	SPKR STAND PLUG ASSY
4	007-0346-000	GP SCRW 3X6 COUNTER SINK BLX	GRILLE FIXATION



PASSPORT

POWERED PORTABLE
SOUND SYSTEM

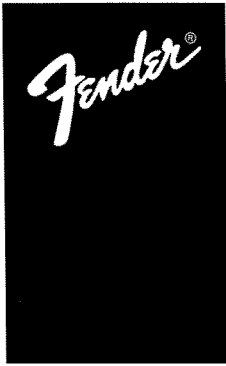
PARTS LIST

PACKING ACCESSORIES

QTY	PART #	DESCRIPTION	REFERENCE DESIGNATION
1	007-0315-000	GP UL/IEC POWER CORD (UL/CSA VERSION)	NORTH AMERICA, TAIWAN
1	007-0316-000	GP CE/IEC POWER CORD (EURO VERSION)	CONT.EUR / ASIA EXPT HK, CHINA/AUSTRALIA
1	007-0317-000	GP BS/IEC POWER CORD (UK/HK VERSION)	UK, HK
1	007-0318-000	GP CCEE POWER CORD (CHINA)	GREAT WALL STD (OPTION)
1	007-0319-000	GP SAA/IEC POWER CORD (AUST/NZ)	AUS, NZ (OPTION)
1	007-0320-000	GP JIS/IEC POWER CORD W/GROUND PIN	JAPAN (OPTION)
2	007-0321-000	GP MONO 1/4" PHONE JACK SPEAKER CORD	
1	007-0322-000	GP OWNER'S MANUAL	
1	007-0325-000	GP VINYL DUST COVER	MAIN UNIT
2	007-0326-000	GP MICROPHONE	
2	007-0327-000	GP MICROPHONE CABLE	
2	007-0328-000	GP MICROPHONE CLIP	
2	007-0329-000	GP MICROPHONE VINYL POUCH	
1	007-0030-000	GP POLYBAG	MAIN UNIT
1	007-0331-000	GP POLYBAG	OWNER'S MANUAL
1	007-0332-000	GP CARTON BOX	
2	007-0333-000	GP PACKING CUSHION	
1	007-0334-000	GP SERIAL NUMBER LABEL ON BOX	

SERVICE MODULES FOR QUICK REPAIRS

QTY	PART #	DESCRIPTION	REFERENCE DESIGNATION
1	007-0335-000	GP SMPS MODULE	
1	007-0336-000	GP MIXER PANEL ASSEMBLY (INCLUDES KNOBS)	COMPLETE ASS'Y
1	007-0144-000	GP PCB ASSY POWER AMPLIFIER	(STUFFED)
1	007-0104-000	GP PCB ASSY REVERB	(STUFFED)
1	007-0159-000	GP PCB ASSY LED INDICATORS	(STUFFED)
1	007-0154-000	GP PCB ASSY TAPE OUTPUT	(STUFFED)
1	007-0151-000	GP PCB ASSY AMPLIFIER PROTECT	(STUFFED)
1	007-0081-000	GP PCB ASSY MIC PREAMP	(STUFFED)
1	007-0070-000	GP PCB ASSY PHONE JACK	(STUFFED)
4	007-0309-001	GP 6.5" FULL RANGE DRIVER 40 W	MATCHED DRIVERS KIT
2	007-0342-000	GP SPEAKER BOX ASSEMBLY	COMPLETE ASS'Y
1	007-0343-000	GP HANDLE ASSEMBLY	COMPLETE ASS'Y
1	007-0344-000	GP POWER AMP / SMPSU / HS ASSEMBLY	COMPLETE ASS'Y



PASSPORT

POWERED PORTABLE
SOUND SYSTEM

SPARES KIT

EXPORT STANDARD SPARES KIT

QTY	PART #	DESCRIPTION	REFERENCE DESIGNATION
1	007-0341-000	EXPORT STD SPARE PARTS KIT PACK	SEE LIST BELOW
QTY	PART #	DESCRIPTION	
12	007-0322-000	SERVICE MANUAL	
3	007-0065-000	GP PCB ASSY MIXER	
3	007-0144-000	GP PCB ASSY POWER AMPLIFIER	
3	007-0104-000	GP PCB ASSY REVERB	
3	007-0159-000	GP PCB ASSY LED INDICATORS	
3	007-0154-000	GP PCB ASSY TAPE OUTPUT	
3	007-0151-000	GP PCB ASSY AMPLIFIER PROTECT	
6	007-0081-000	GP PCB ASSY MIC PREAMP	
6	007-0070-000	GP PCB ASSY PHONE JACK	
24	007-0309-000	GP 6.5" FULL RANGE DRIVER 40 W	
4	007-0236-000	GP MASTER LEVEL KNOBS	
10	007-0237-000	GP MIXER CONTROL KNOBS	
12	007-0265-000	GP 6.3A TIME LAG FUSE	
4	007-0326-000	GP MICROPHONE, CABLE, CLIP, POUCH	
6	007-0243-000	GP SPKR GRILLE MESH	
4	007-0341-000	GP HANDLE ASSEMBLY	
12	007-0321-000	GP MONO 1/4" PHONE JACK SPEAKER CORD	
1	007-0344-000	GP POWER AMP / SMPSU / HS ASSEMBLY	



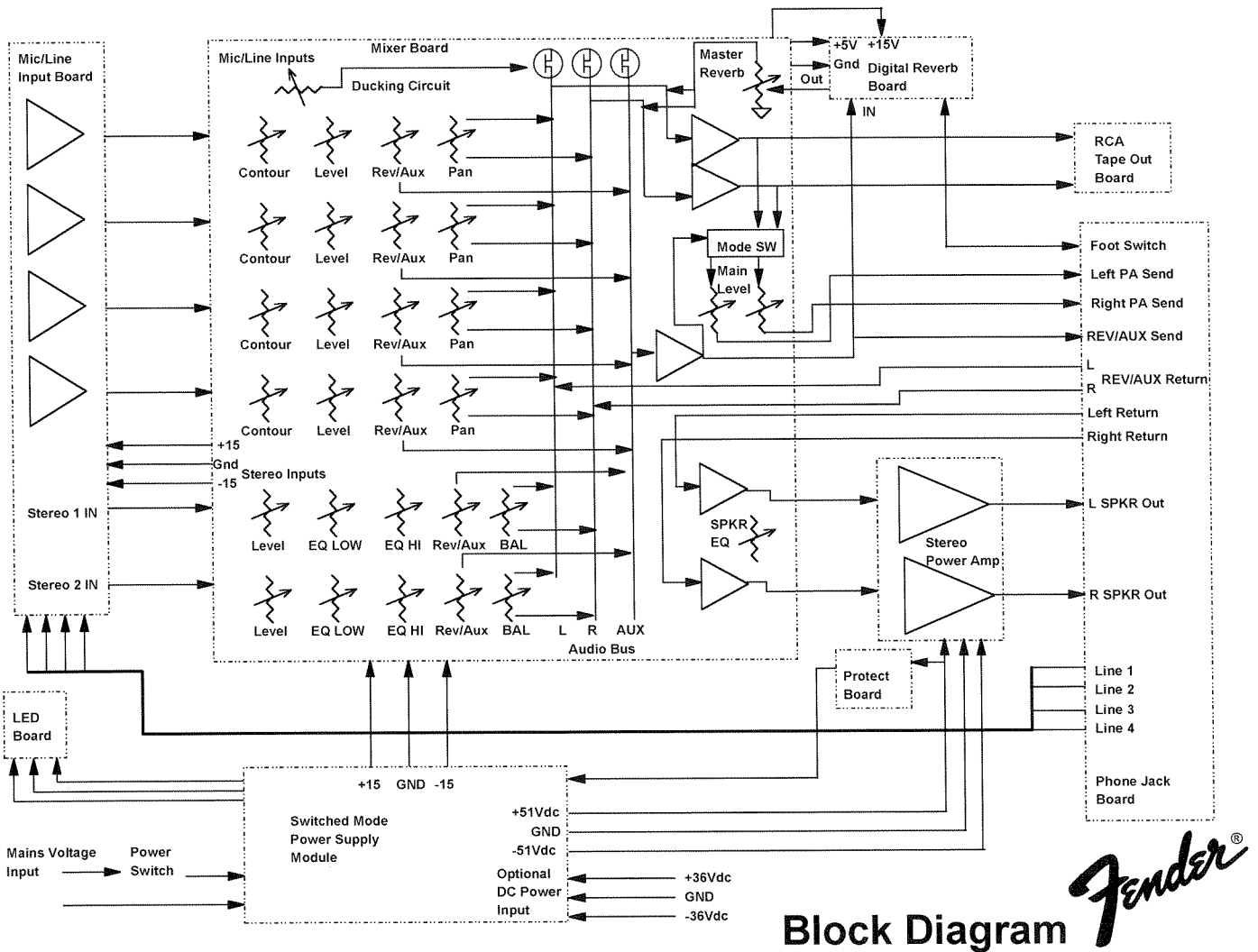
PASSPORT

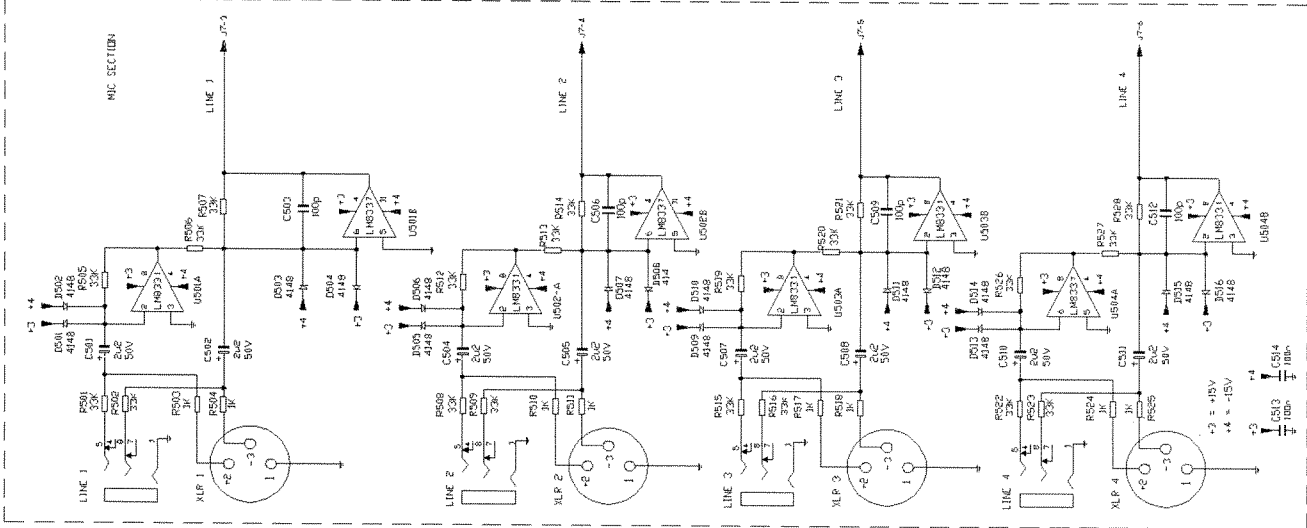
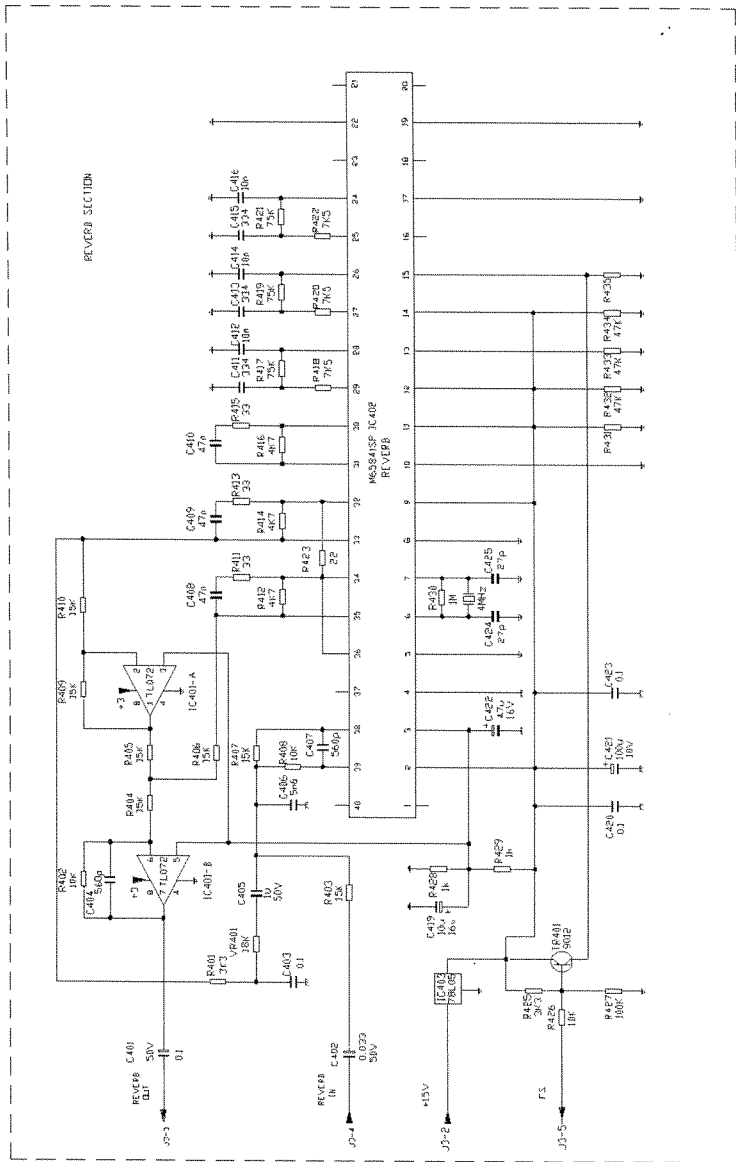
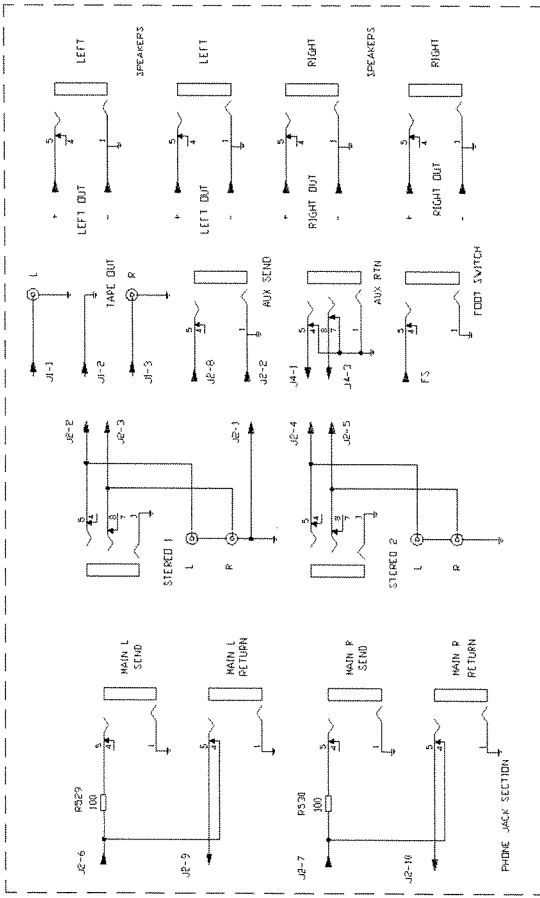
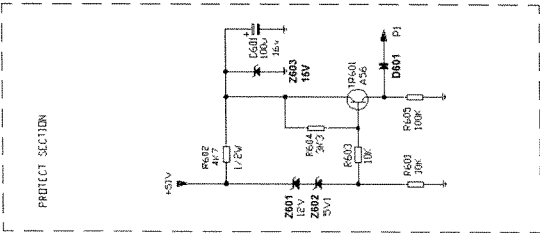
POWERED PORTABLE
SOUND SYSTEM

BLOCK DIAGRAM

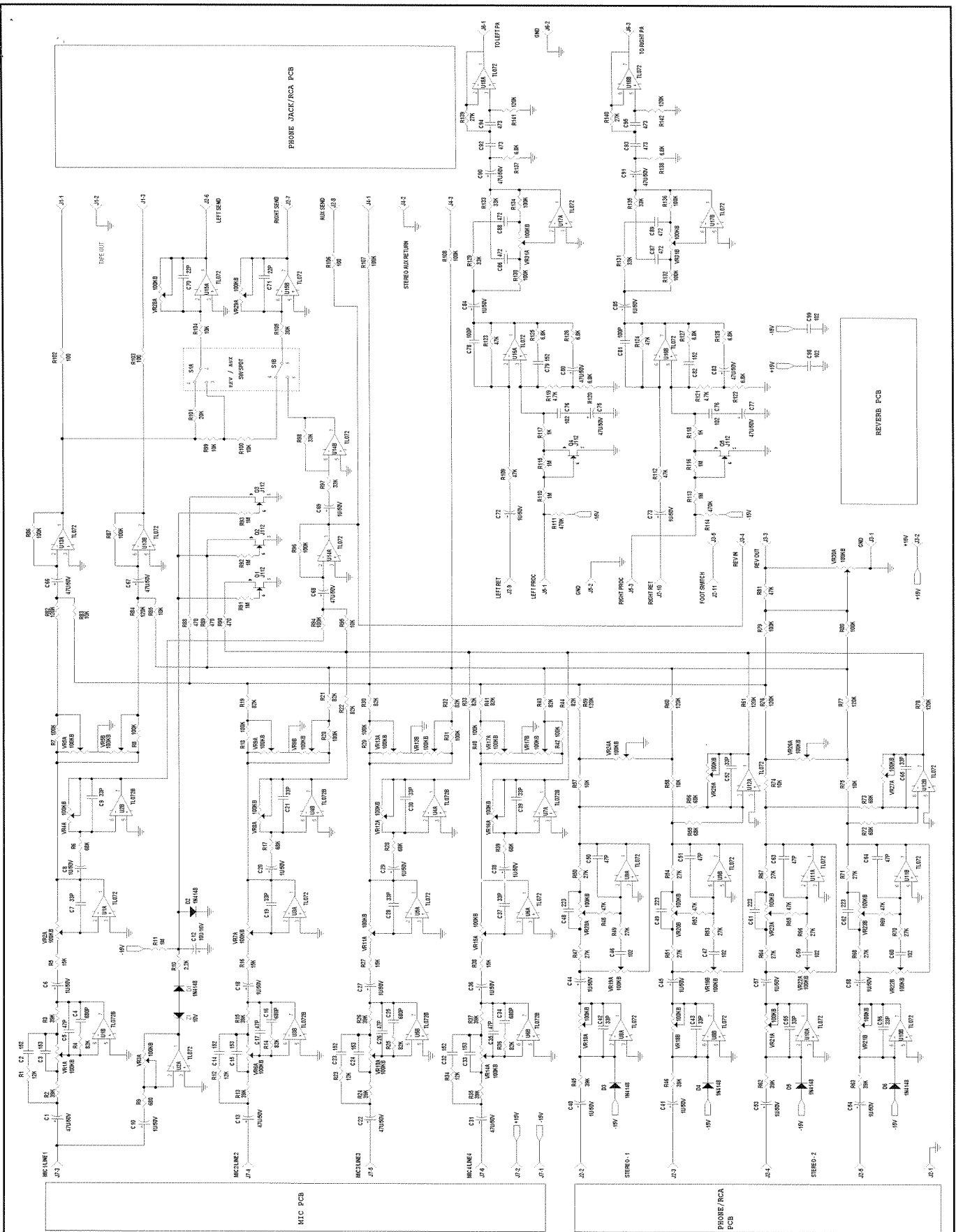
BLOCK DIAGRAM ARRANGEMENT

This block diagram is arranged by board level functional blocks. This is the same arrangement as the parts list and the schematics which will aid in the quick analysis of faults and circuit understanding.

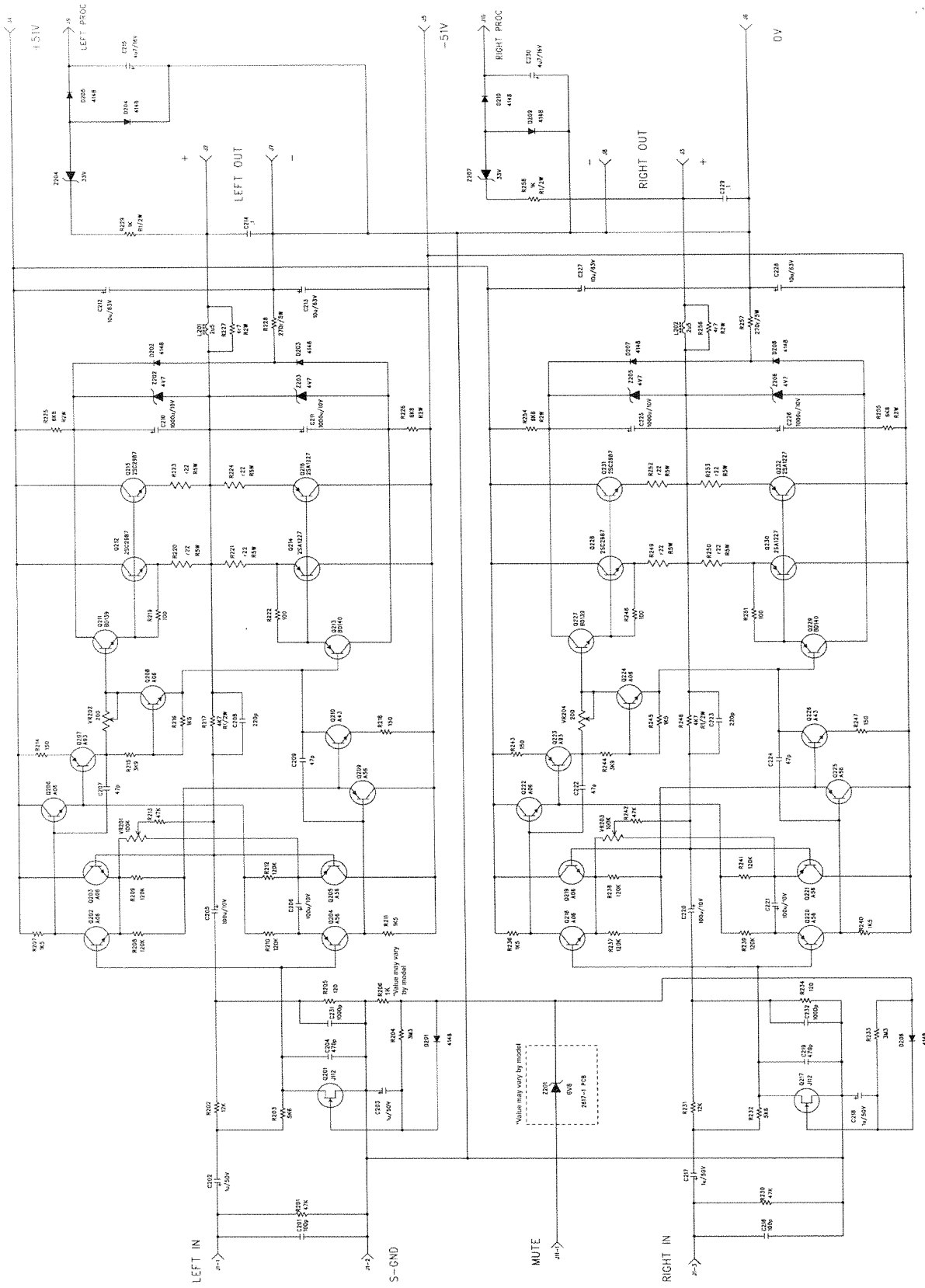




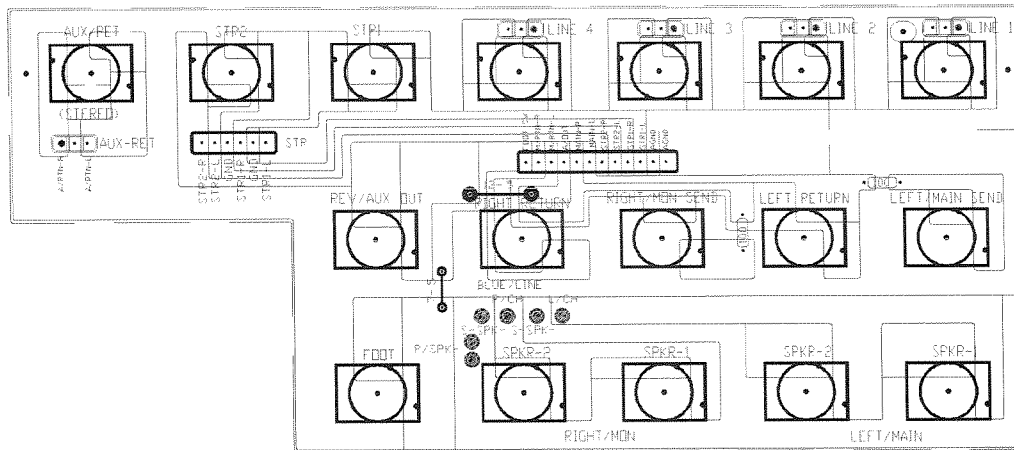
Fender
PASSPORT
 Input/Rev Schematic Diagram



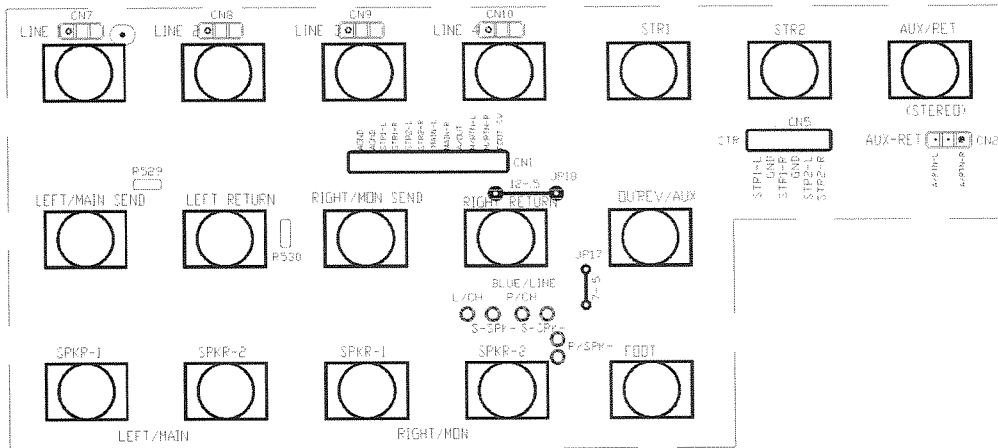
Fender
PASSPORT
 Mixer Schematic Diagram



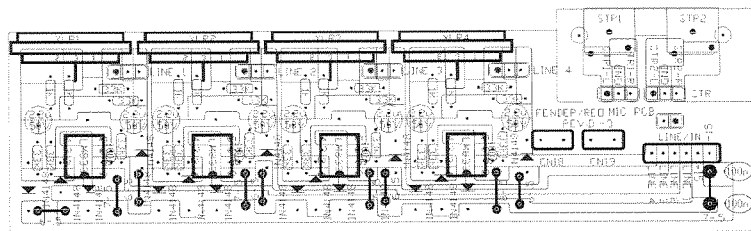
Fender **PASSPORT**
Pwr Amp Schematic Diagram



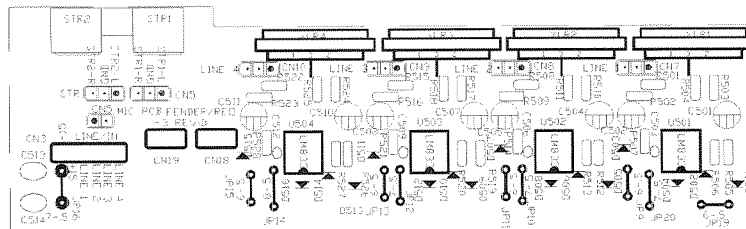
Phone PCB Copper Side



Phone PCB Component Side



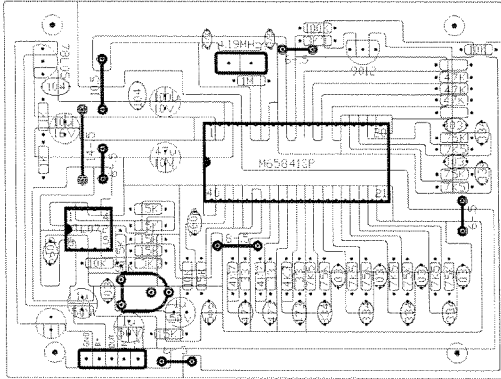
Microphone PCB Copper Side



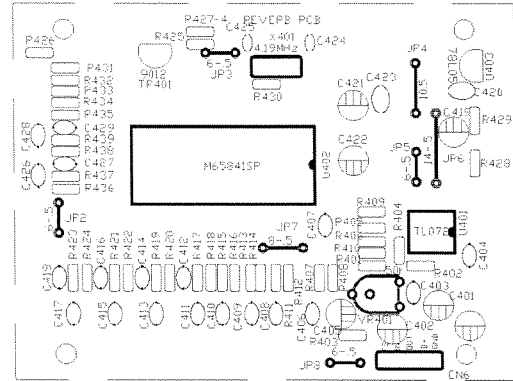
Microphone PCB Component Side



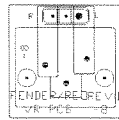
PASSPORT
Input Section PCB



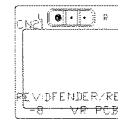
Reverb PCB Copper Side



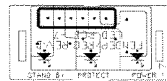
Reverb PCB Copper Side



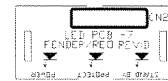
**RCA PCB
Copper Side**



**RCA PCB
Component
Side**



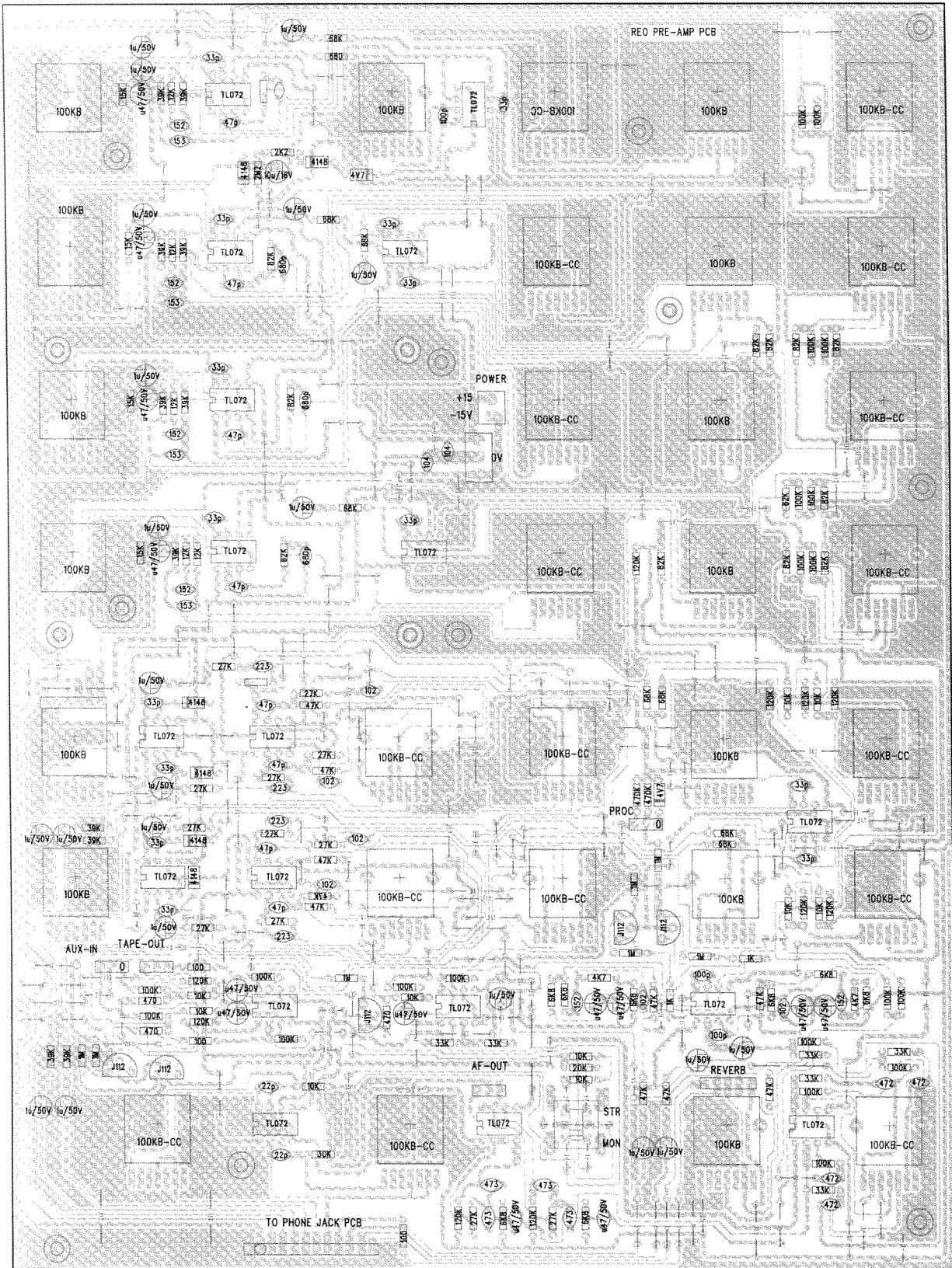
**LED PCB
Copper Side**



**LED PCB
Component
Side**



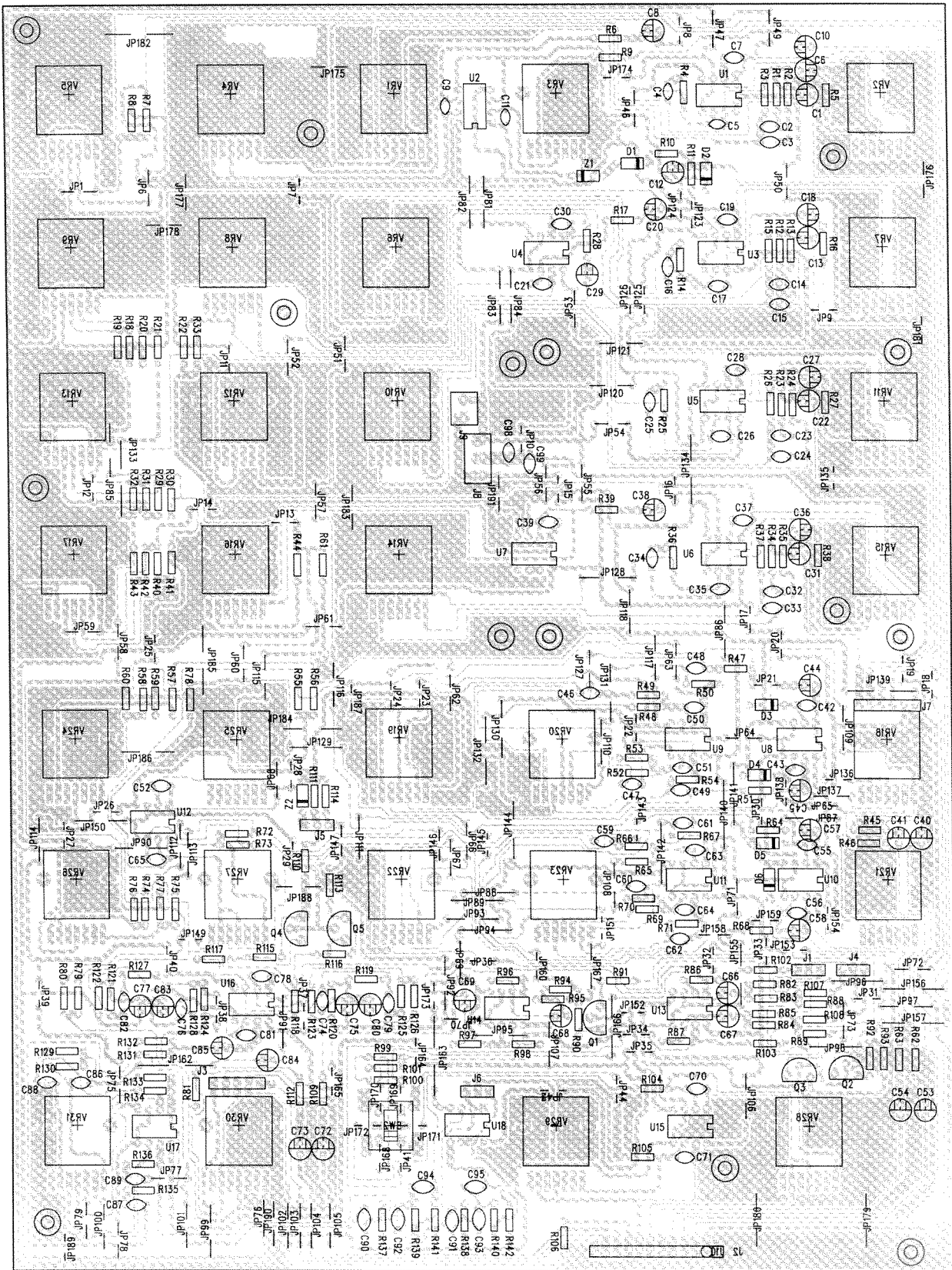
PASSPORT
Rev/RCA/LED PCB



Mixer Section PCB
Copper Side



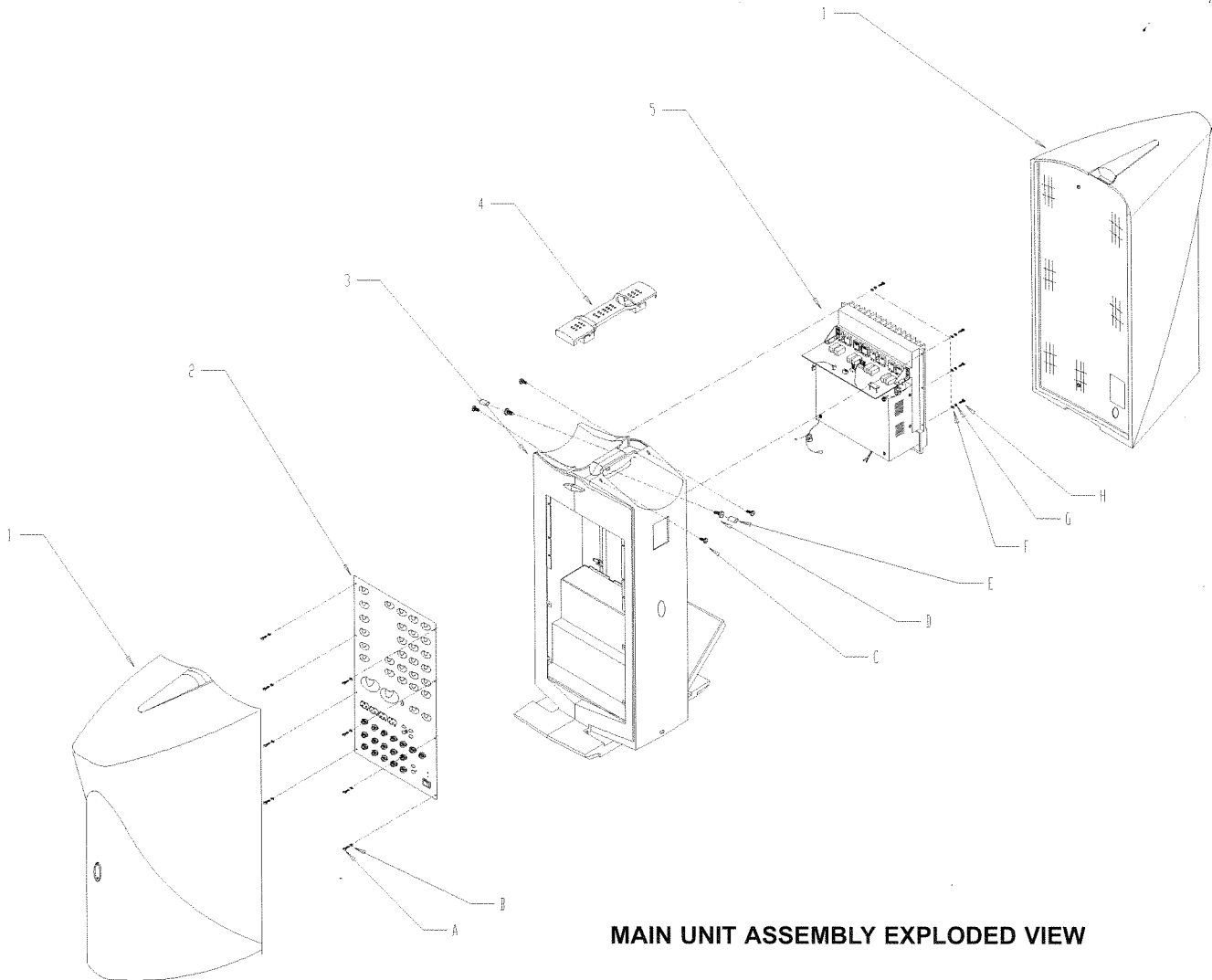
PASSPORT
 Mixer Section PCB



Mixer Section PCB
Component Side



PASSPORT
 Mixer Section PCB

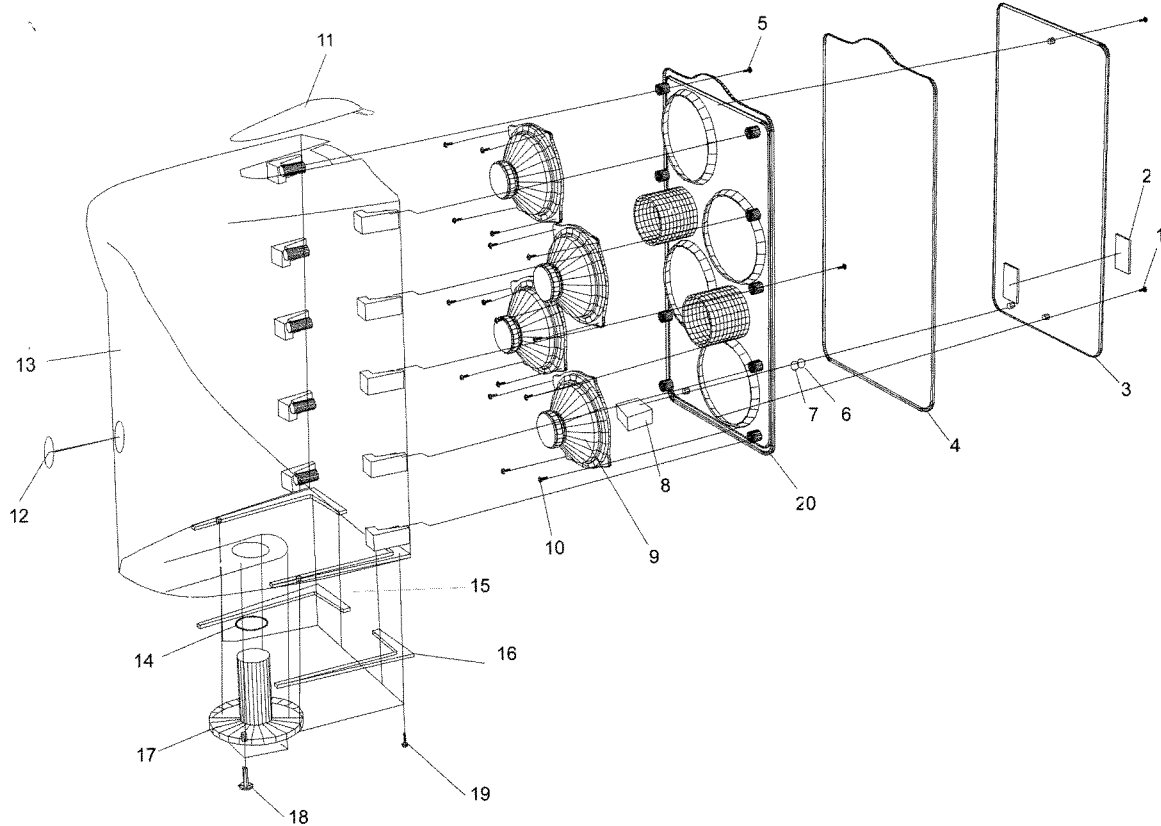


MAIN UNIT ASSEMBLY EXPLODED VIEW

REF	DESCRIPTION	PART NUMBER	QTY
1	SPEAKER ASS'Y	007-0342-000	2
2	MIXER PANEL ASS'Y	007-0336-000	1
3	TOWER HOUSING ASS'Y	NOT APPLICABLE	1
4	HANDLE/LATCH ASS'Y	007-0343-000	1
5	PS/AMP MODULE ASS'Y	007-0344-000	1
A	NICKLE PLATED SCREW	007-0282-000	8
B	SPRING WASHER	007-0337-000	8
C	BLACK ZINC SCREW	007-0294-000	4
D	BLACK ZINC SCREW	007-0296-000	4
E	RUBBER SCREW COVER	007-0345-000	2
F	BLACK FLAT WASHER	007-0290-000	6
G	BLACK SPRING WASHER	007-0289-000	6
H	BLACK ZINC SCREW	007-0287-000	6

Fender[®]

PASSPORT
Main Ass'y Exploded View

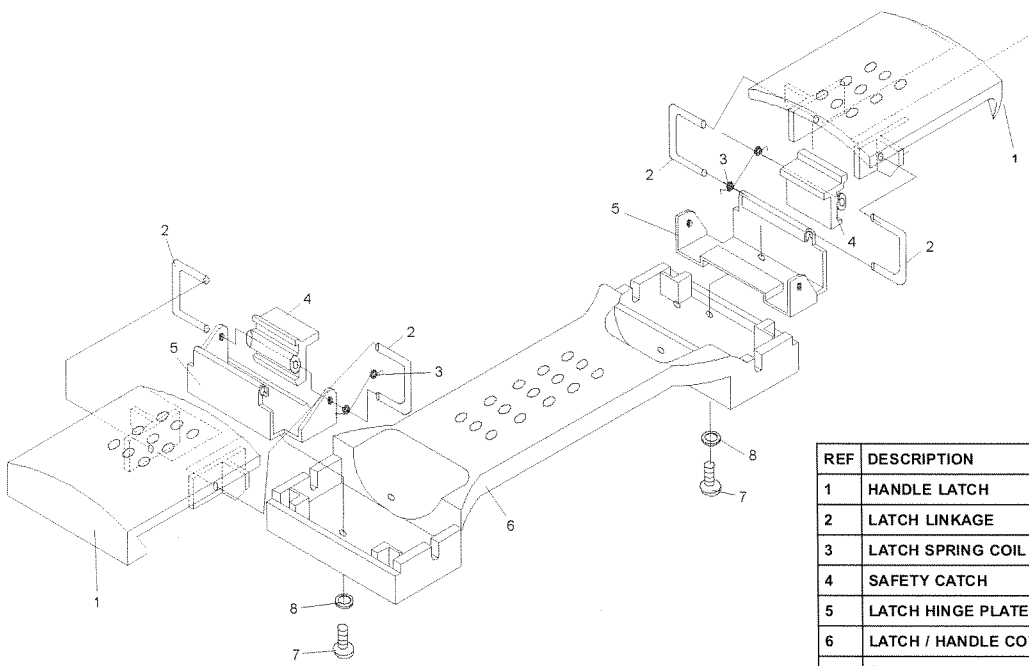


SPEAKER BOX ASSEMBLY EXPLODED VIEW

REF	DESCRIPTION (PAIR)	PART NUMBER	QTY
1	BLACK SCREW	007-0346-000	4
2	LOGO BADGE	007-0310-000	2
3	SPEAKER GRILLE	007-0243-000	2
4	BAFFLE GASKET	007-0304-000	2
5	BLACK SCREW	007-0312-000	20
6	HEX NUT (1/4" PHONE)	WITH JACK	2
7	FLAT WASHER (1/4" PHONE)	WITH JACK	2
8	1/4" PHONE JACK	007-0311-000	2
9	6.5 SPEAKER	007-0309-000	8
10	BLACK SCREW	007-0068-000	32
11	COSMETIC TRIM COVER	007-0305-000	2
12	SPRUE CAP	007-0308-000	2
13	SPEAKER BACK BOX	007-0302-000	2
14	SPEAKER STAND GASKET	007-0340-000	2
15	SPEAKER FOOT (LEFT)	007-0306-000	2
16	SPEAKER FOOT (RIGHT)	007-0307-000	2
17	SPEAKER STAND PLUG	007-0301-000	2
18	SPKR STAND PLUG SCREW	007-0314-000	8
19	SPKR FOOT SCREW	007-0313-000	12
20	SPEAKER BAFFLE	007-0303-000	2

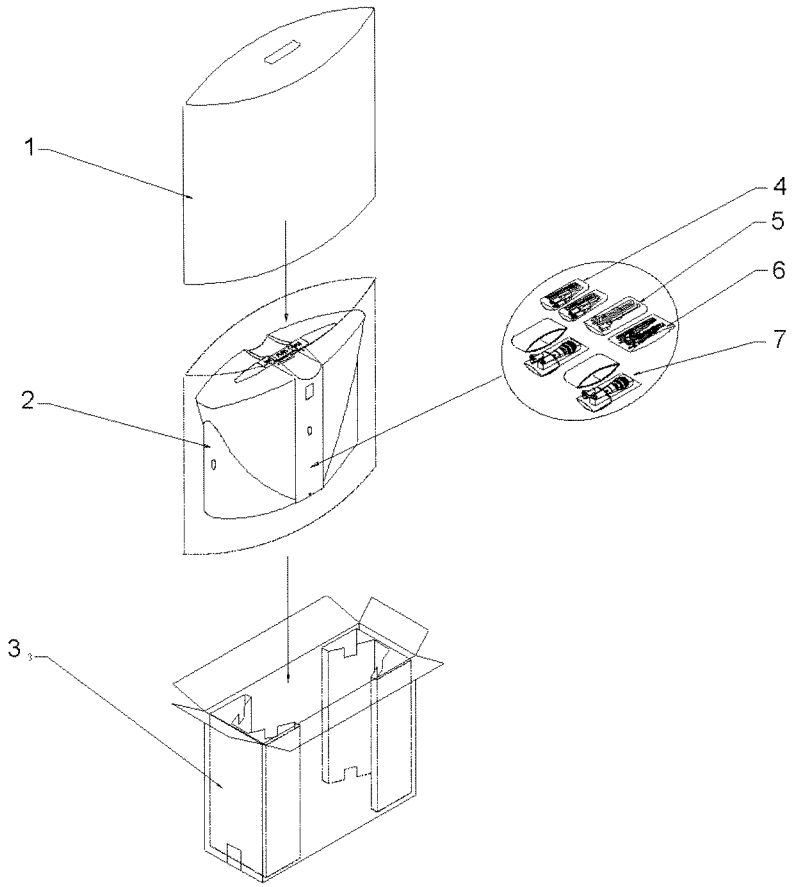


PASSPORT
SPKR Box Exploded View



REF	DESCRIPTION	PART NUMBER	QTY
1	HANDLE LATCH	007-0233-000	2
2	LATCH LINKAGE	007-0248-000	4
3	LATCH SPRING COIL	007-0247-000	2
4	SAFETY CATCH	007-0240-000	2
5	LATCH HINGE PLATE	007-0249-000	2
6	LATCH / HANDLE COVER	007-0241-000	1
7	SCREW	007-0285-000	2
8	SPRING WASHER	007-0289-000	2

HANDLE ASSEMBLY EXPLODED VIEW



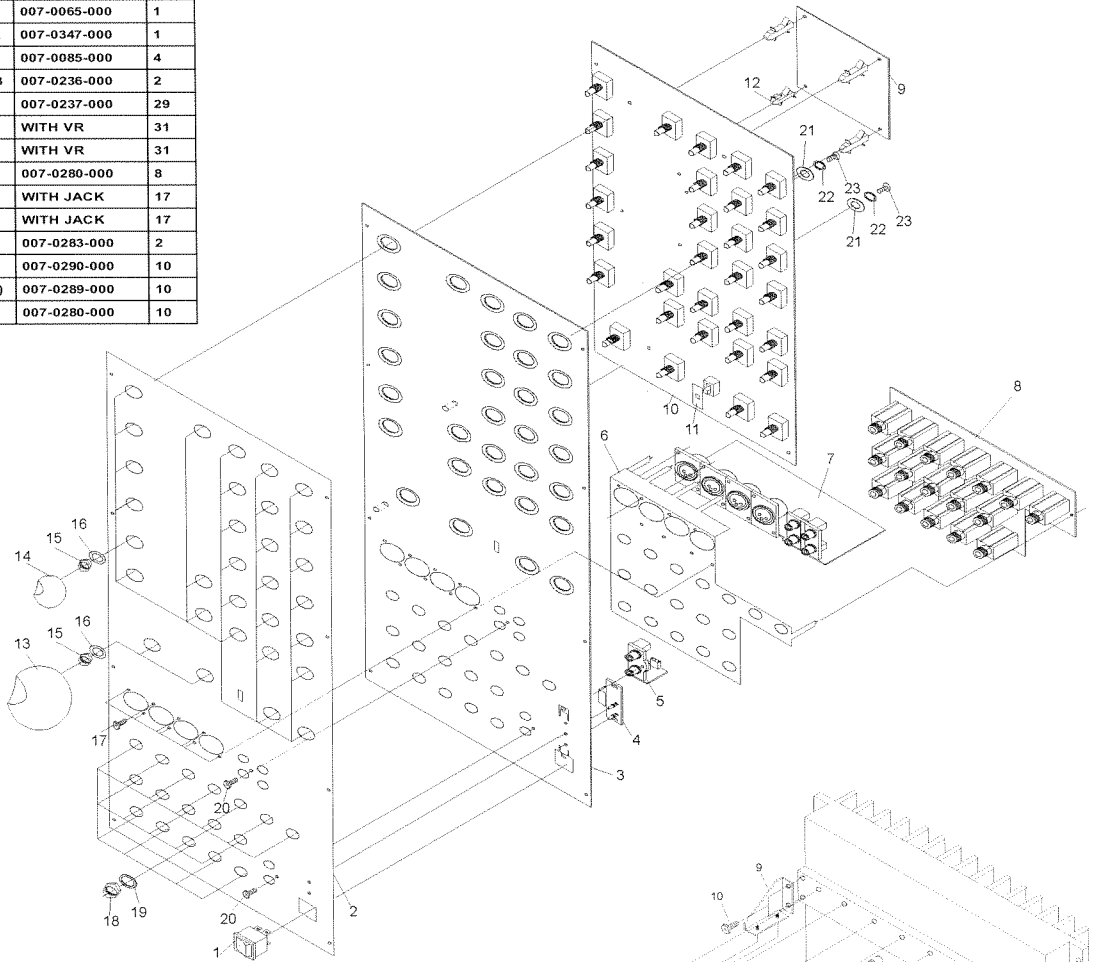
REF	DESCRIPTION	PART NUMBER	QTY
1	DUST COVER	007-0325-000	1
2	MAIN UNIT	NOT APPLICABLE	4
3	CARTON BOX ASS'Y	007-0322-000	1
4	MICROPHONE CABLE	007-0327-000	2
5	POWER CORD	007-0317/18/19/20-000	1
6	SPEAKER CABLES	007-0321-000	2
7	MICROPHONES/ACC.	007-0326/28/29-000	2

PACKING ASSEMBLY EXPLODED VIEW

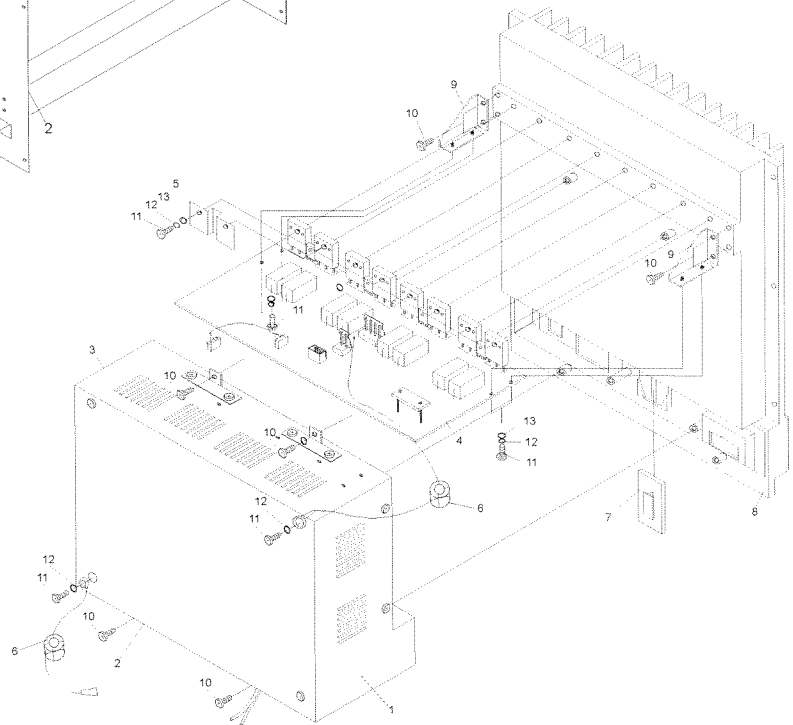
Fender **PASSPORT**
Handle Exploded View

REF	DESCRIPTION	PART NUMBER	QTY
1	POWER SWITCH	007-0267-000	1
2	FRONT PANEL OVERLAY	007-0231-000	1
3	FRONT METAL PANEL	007-0245-000	1
4	LED PCB ASSEMBLY	007-0159-000	1
5	RCA INPUT ASSEMBLY	007-0154-000	1
6	INPUT SHIELD PLATE		1
7	MIC/LINE PCB ASS'Y	007-0081-000	1
8	PHONE JACK PCB ASS'Y	007-0070-000	1
9	REVERB PCB ASS'Y	007-0104-000	1
10	MIXER PCB ASS'Y	007-0065-000	1
11	REV/AUX SWITCH COVER	007-0347-000	1
12	REV PCB STANDOFF	007-0085-000	4
13	MASTER CONTROL KNOB	007-0236-000	2
14	MIXER CONTROL KNOB	007-0237-000	29
15	VR HEX NUT	WITH VR	31
16	VR FLAT WASHER	WITH VR	31
17	MIC ASS'Y SCREW	007-0280-000	8
18	PHONE JACK HEX NUT	WITH JACK	17
19	PHONE JACK F WASHER	WITH JACK	17
20	RCA SCREW	007-0283-000	2
21	FLAT WASHER (MIXER)	007-0290-000	10
22	SPRING WASHER (MIXER)	007-0289-000	10
23	MIXER SCREW	007-0280-000	10

MIXER ASSEMBLY EXPLODED VIEW

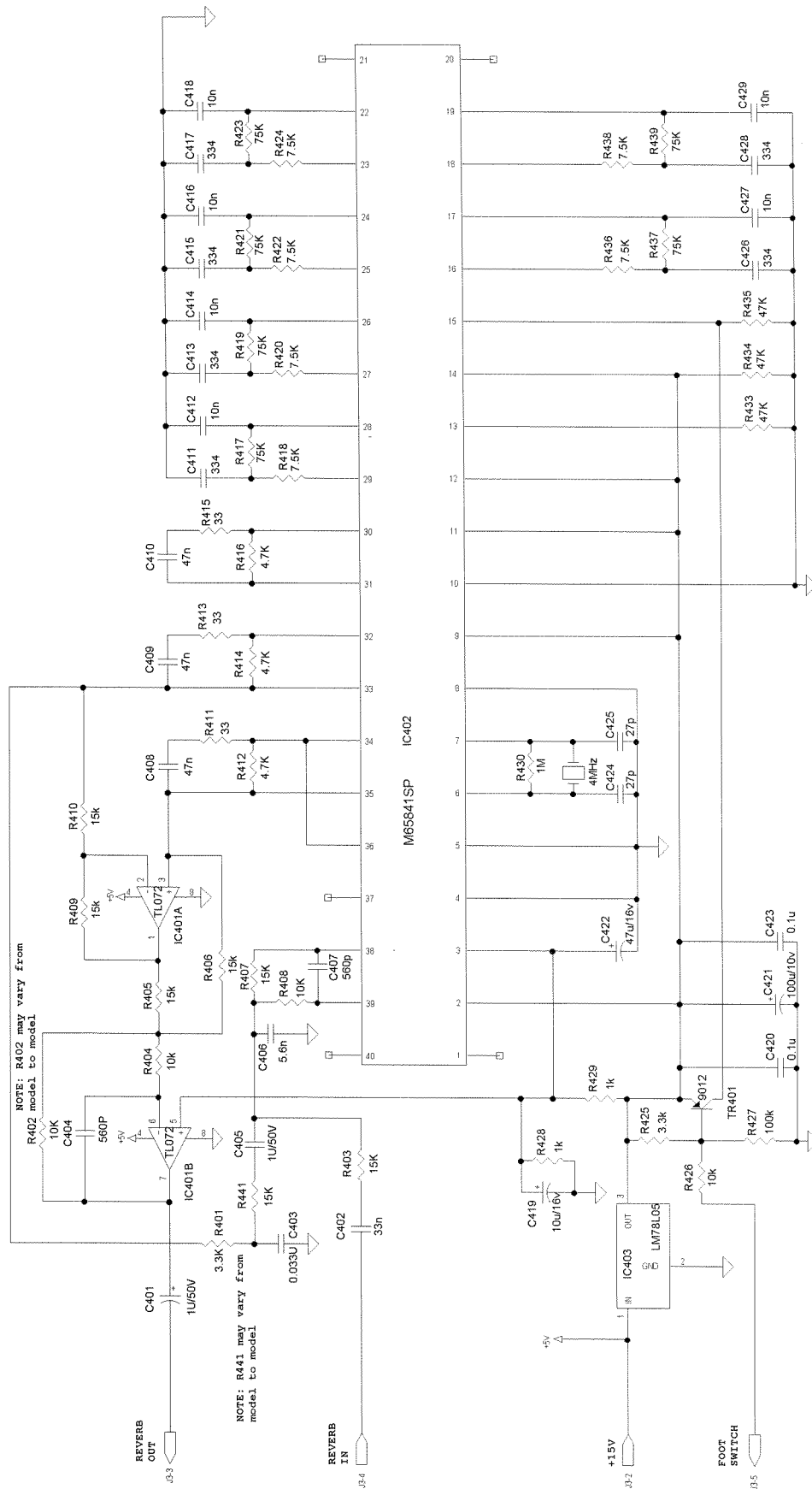


REF	DESCRIPTION	PART NUMBER	QTY
1	SMPSU MODULE	007-0335-000	1
2	SHIELD CAN TOP	007-0252-000	1
3	SHIELD CAN BOTTOM	007-0251-000	1
4	POWER AMP PCB ASSY	007-0144-000	1
5	POWER DEVICE BRACKET	007-0349-000	4
6	RF FILTER TORIOD (GND)	007-0350-000	2
7	COMPARTMENT LATCH	007-0235-000	1
8	CAST ALUMINUM HEATSINK	007-0256-000	1
9	AMP BOARD BRACKET	007-0253-000	2
10	AMP/SMPSU SCREW	007-0286-000	8
11	MISC ASS'Y SCREW	007-0281-000	16
12	MISC FLAT WASHER	007-0290-000	16
13	MISC SPRING WASHER	007-0289-000	12



POWER AMPLIFIER / SMPSU EXPLODED VIEW

Fender
PASSPORT
 Mixer/Amp Exploded View



Fender
PASSPORT
 Reverb Schematic Update