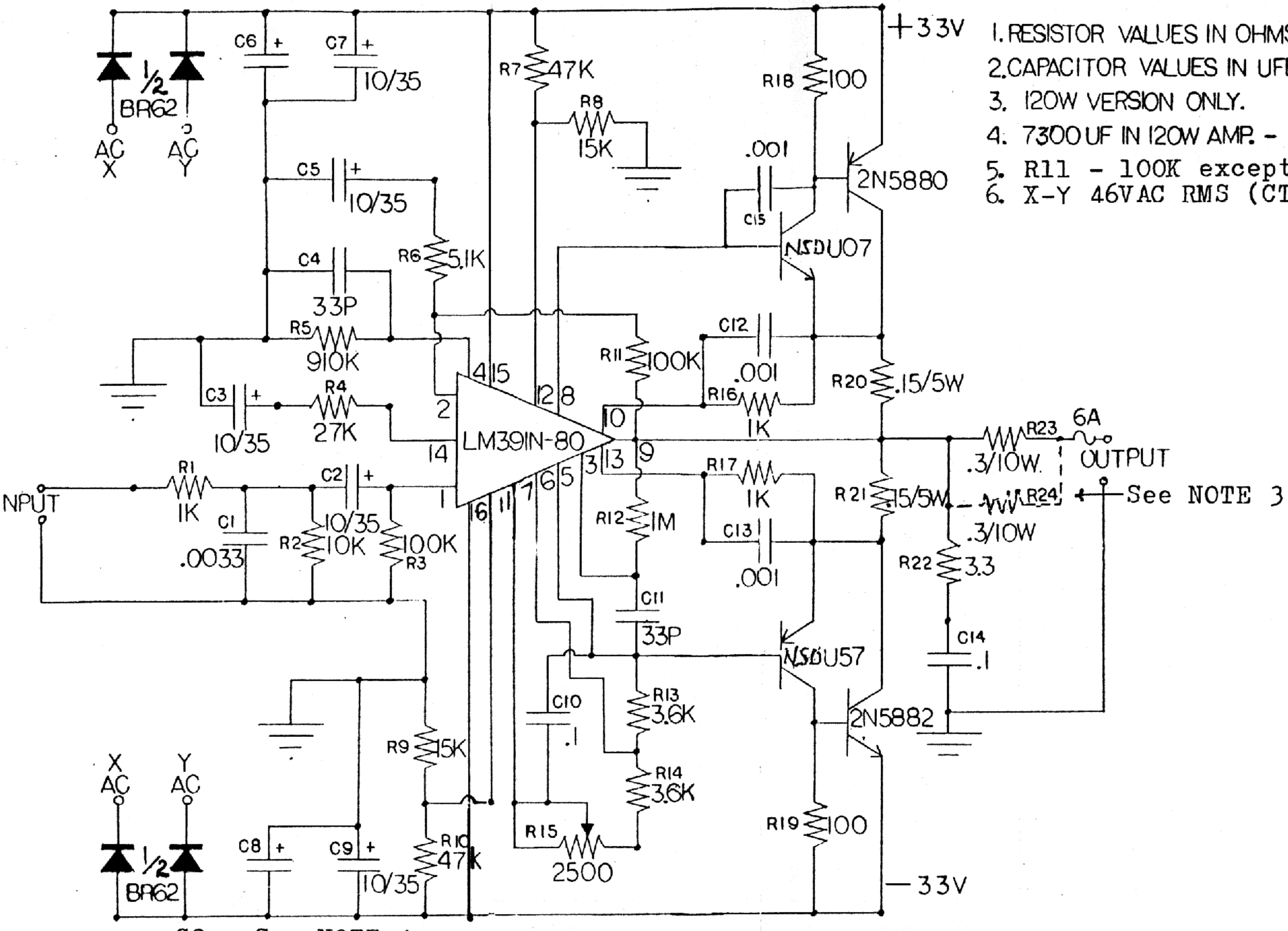
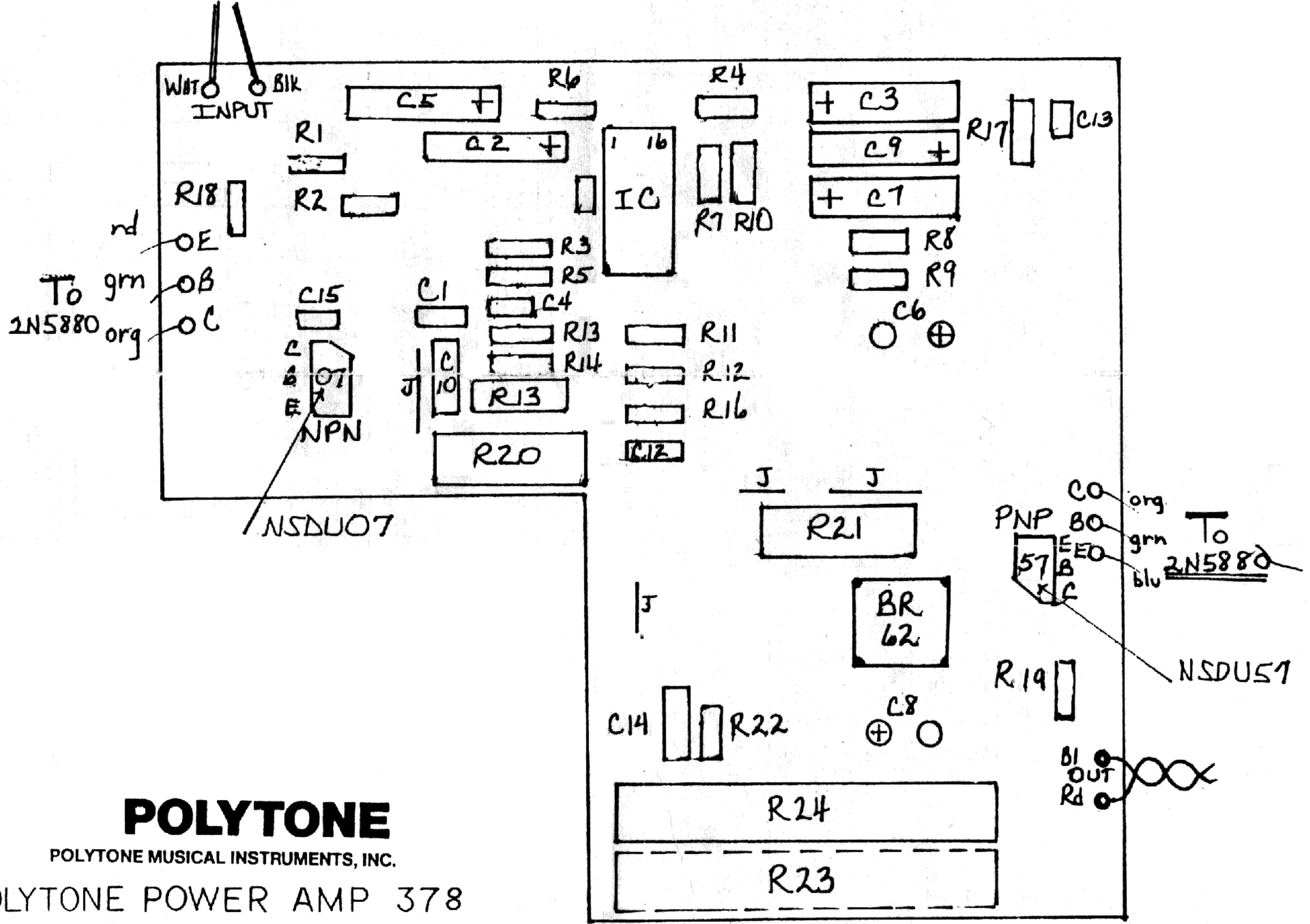


C6 - See NOTE 4



1. RESISTOR VALUES IN OHMS. (1/4W 5%)
2. CAPACITOR VALUES IN UFD.
3. 120W VERSION ONLY.
4. 7300UF IN 120W AMP. - 4000 UF in 60W AMP
5. R11 - 100K except: P.A. - 150K/SK - 240K
6. X-Y 46VAC RMS (CT GND)

C8 - See NOTE 4



POLYTONE
 POLYTONE MUSICAL INSTRUMENTS, INC.
 POLYTONE POWER AMP 378