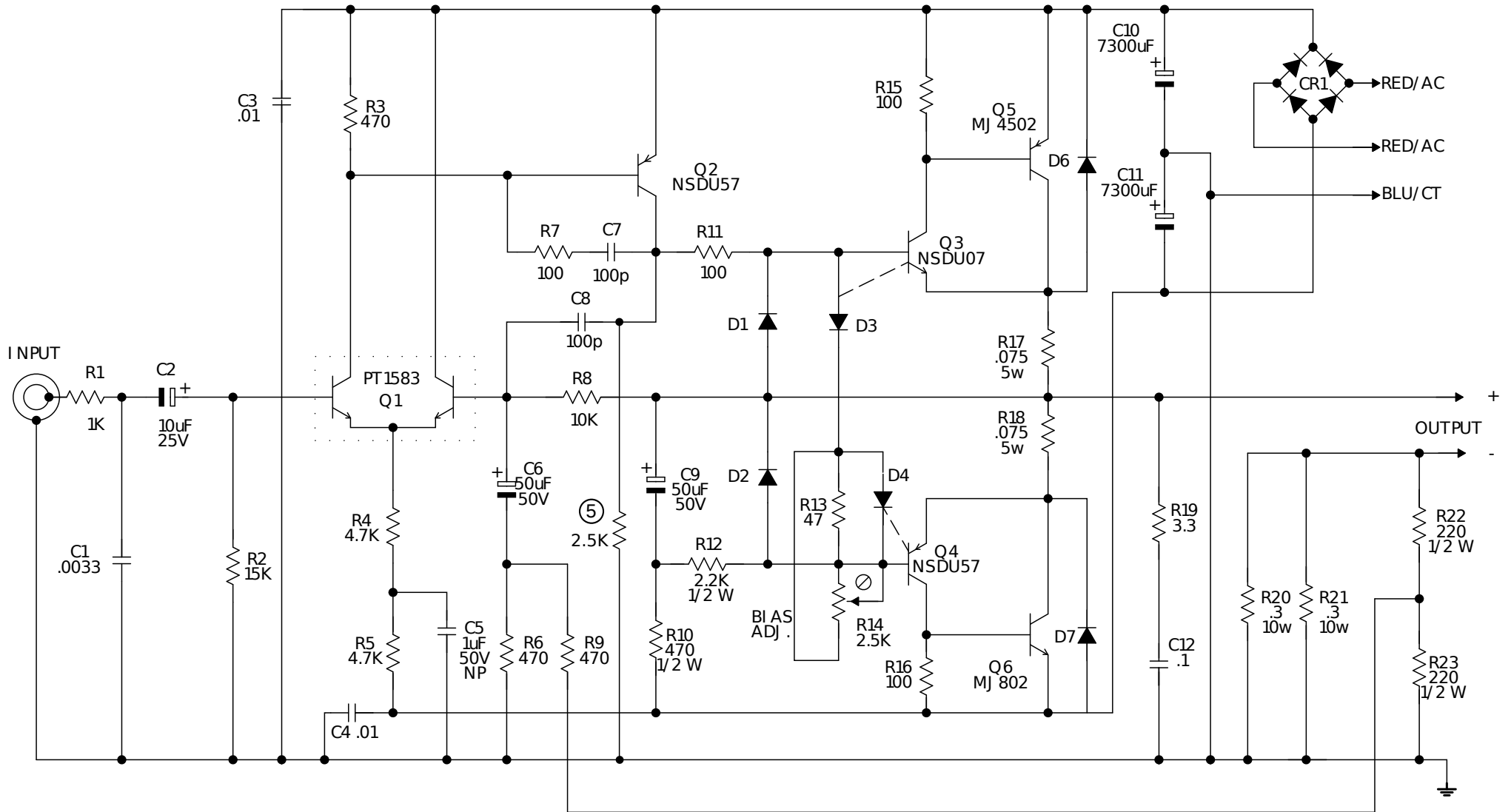


POLYTONE POWER AMP
PA 373B
modified



Notes, unless specified:

1. Resistor Values in Ohms (1/4W 5%)
2. Capacitor Values in uFD
3. Diodes D1 thru D7 are 1N4004
4. D3, D4 must contact Q3, Q4 thermally
- ⑤ additional resistor on solder side

- Q1 = PT1583, replaced by 2 x 2N5210
 Q2, Q4 = NSDU57 = MPSU57, replaced by MJE172
 Q3 = NSDU07 = MPSU07, replaced by MJE182
 Q4 = MJ4502
 Q5 = MJ802