

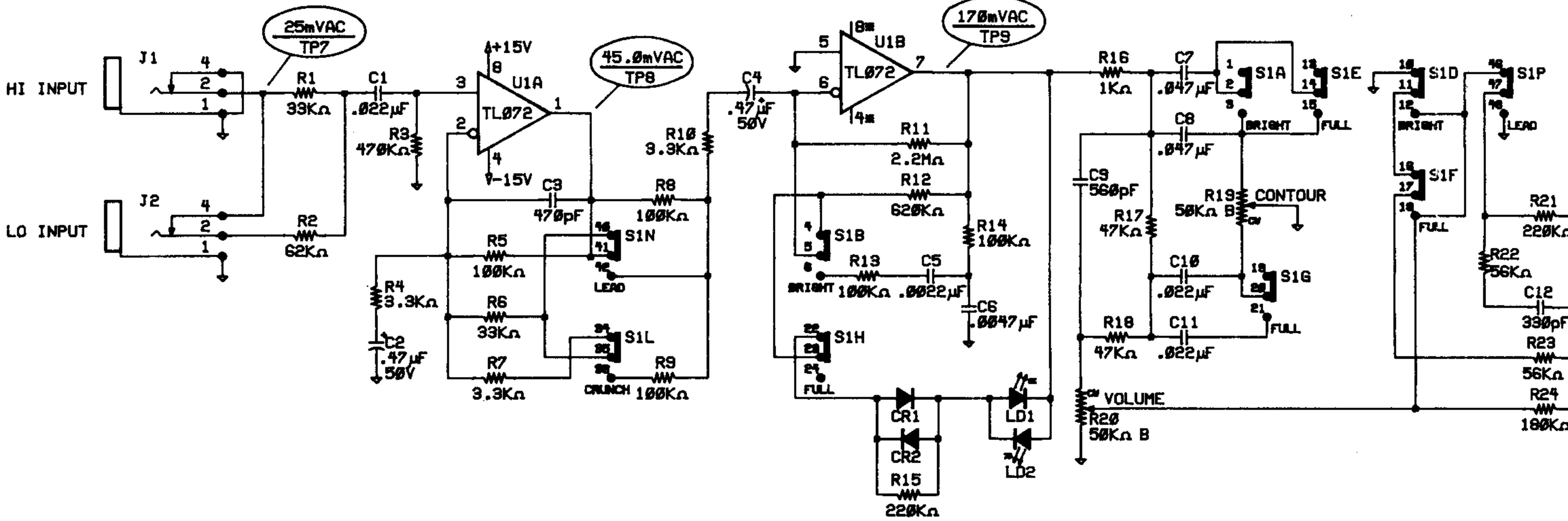
8

7

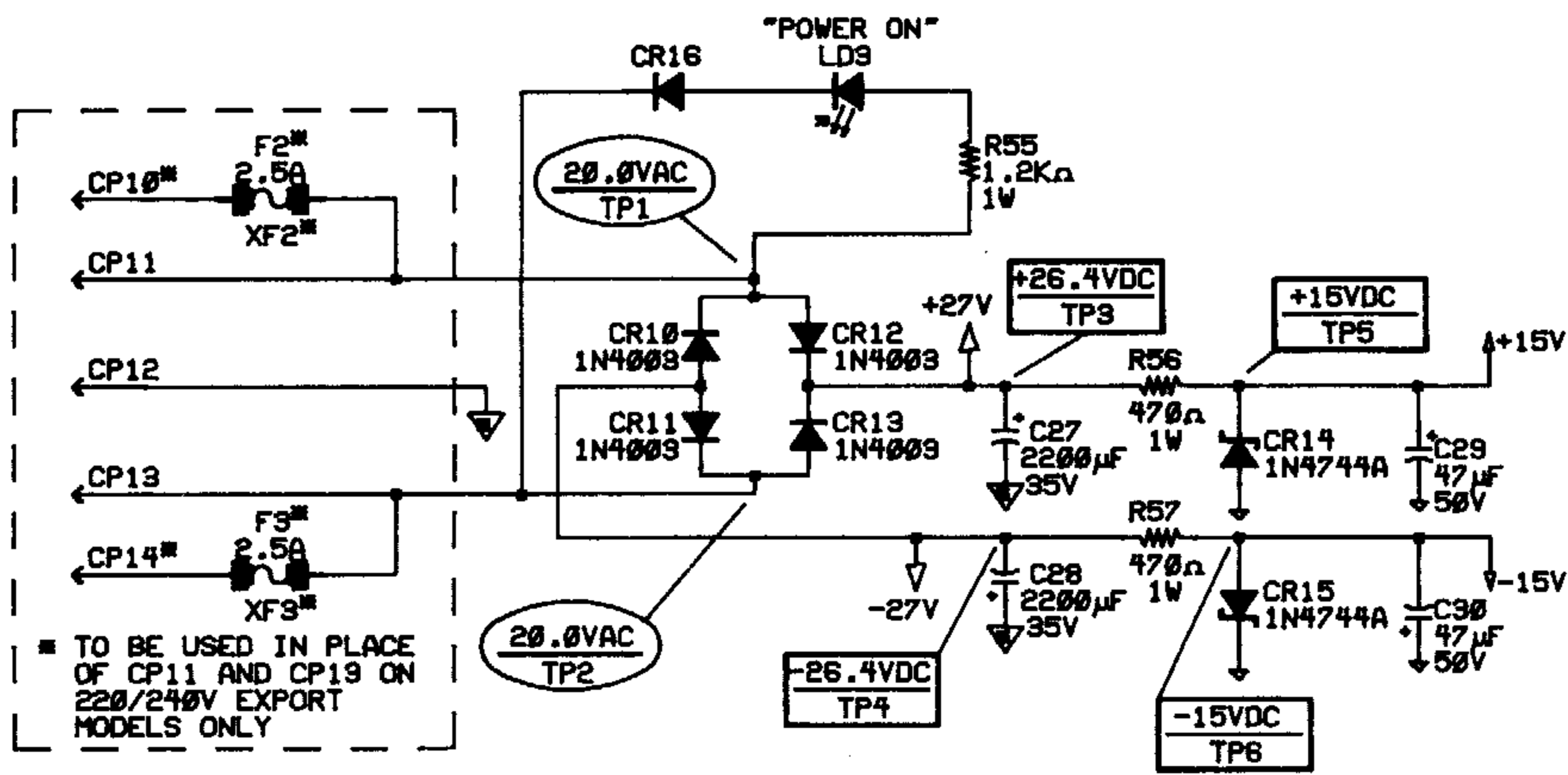
6

5

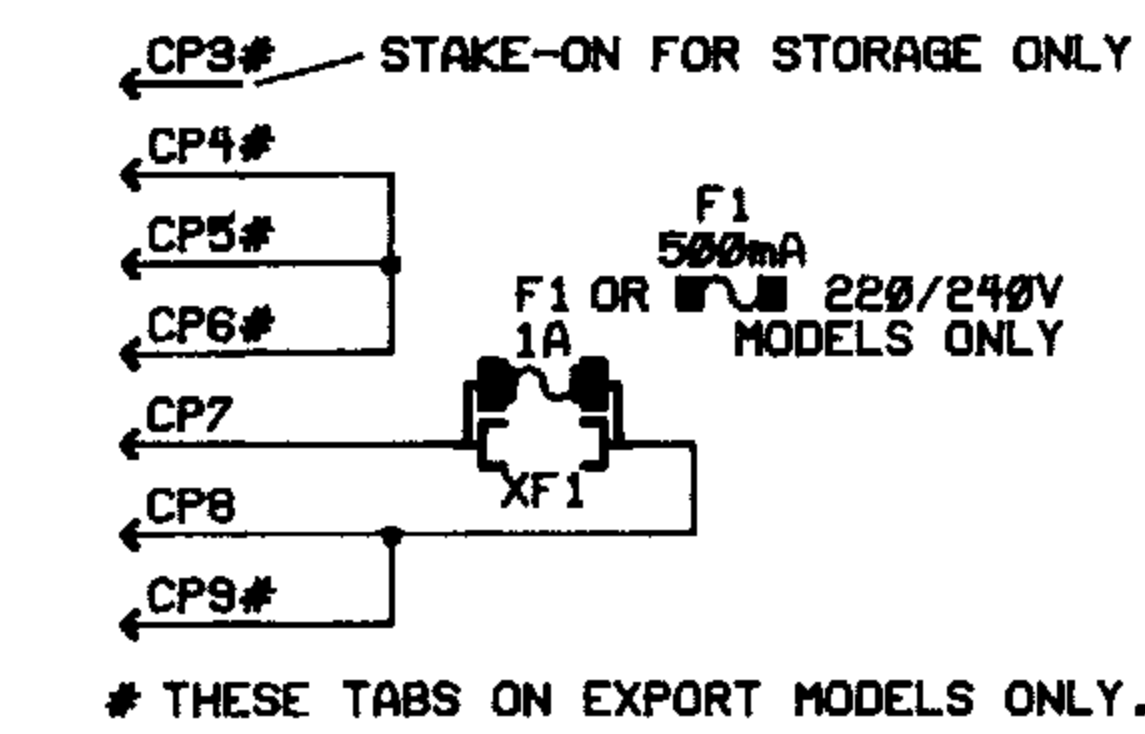
D



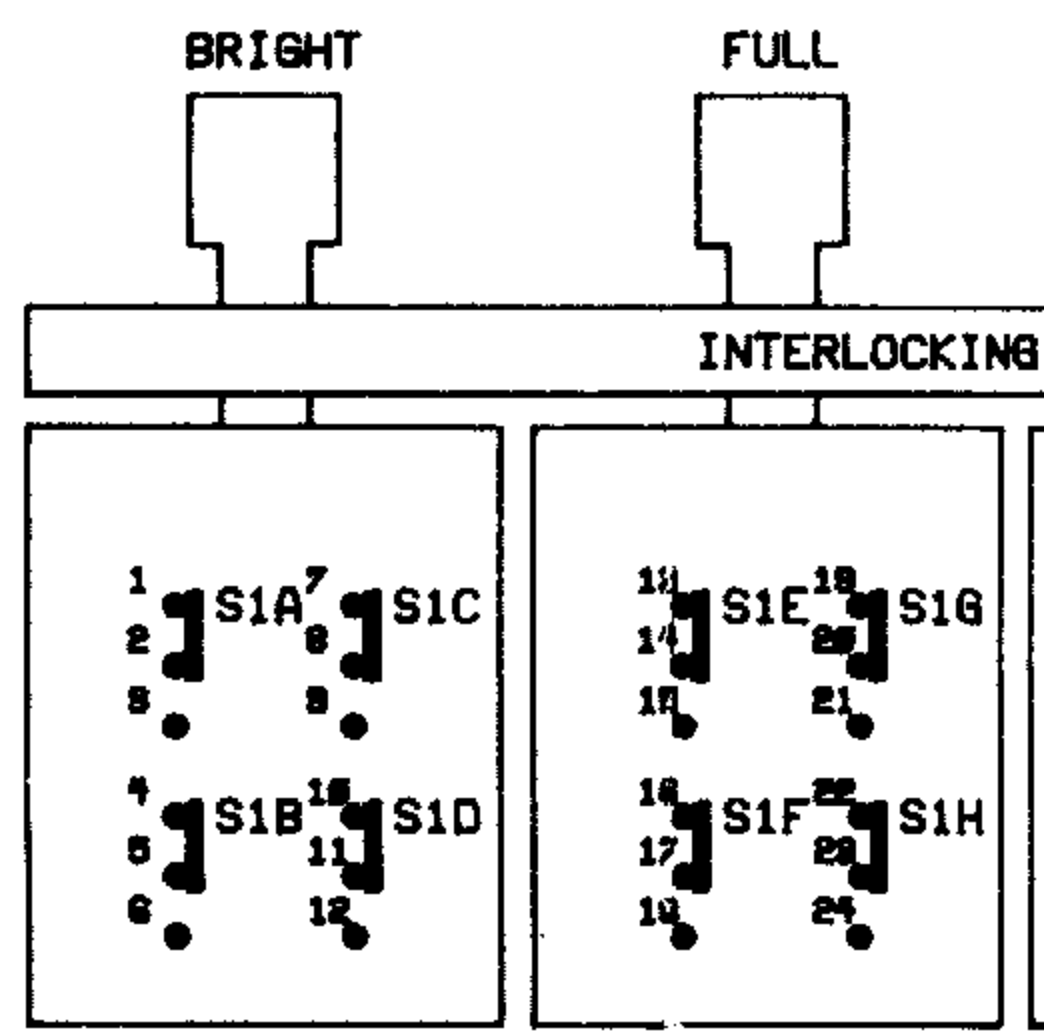
C



B



A



PUSH-BUTTON SWITCH D

8

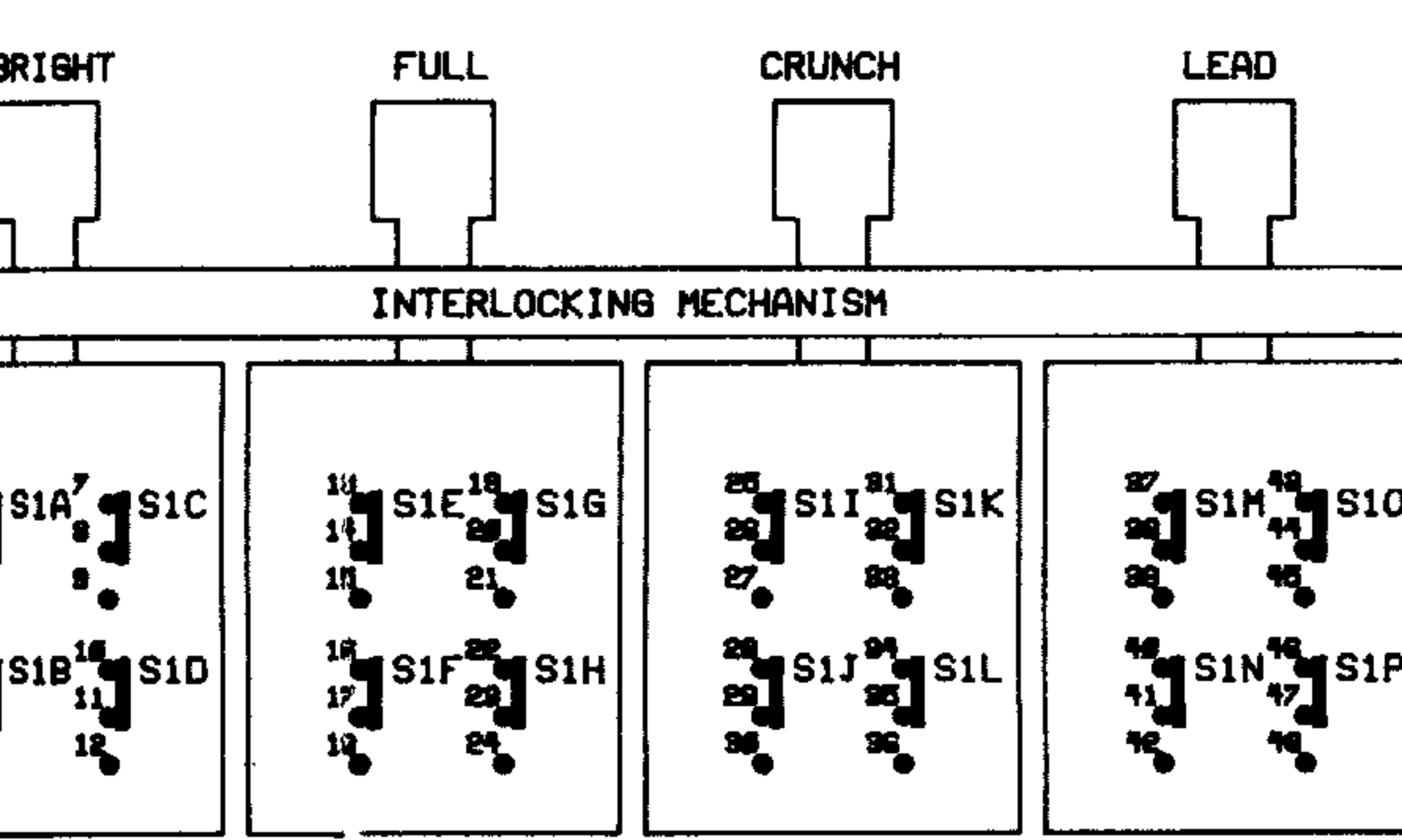
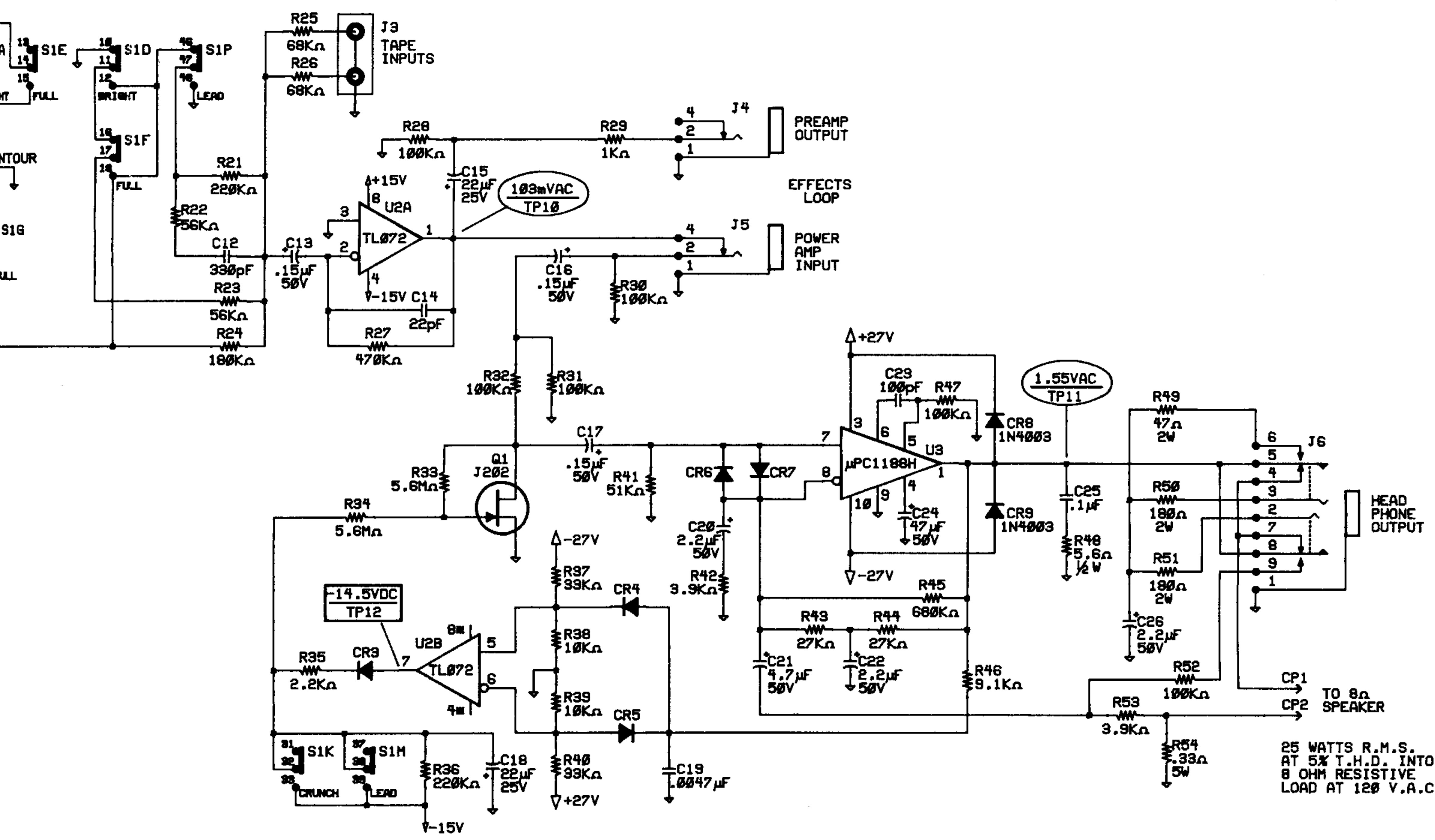
7

6

5

L

REVISIONS				
ZONE	REV.	DESCRIPTION	DATE	APPROVED
	A	RELEASED PR#137	10-30-89	BD
	B	ECO#L02302	9-27-91	BD



NOTES: UNLESS OTHERWISE SPECIFIED.

1. ALL RESISTORS 1/4W, ± 5%.
2. ALL CAPACITORS 63V MINIMUM.
3. ALL DIODES 1N4448.
4. AC AND DC VOLTAGES READ TO GROUND WITH A DVM UNDER THE FOLLOWING CONDITIONS:  
 1 kHz INPUT AT J1  
 8Ω RESISTIVE LOAD CONNECTED AT CP1/CP2  
 CLEAN/BRIGHT BUTTON DEPRESSED  
 CONTOUR AND VOLUME SET TO 12 O'CLOCK

PUSH-BUTTON SELECTOR SWITCH DETAIL

DATABASE FILE: RADONES CHECKED BY: <i>B. Desi</i> DATE: 10-8-91 APPROVED: <i>B. Desi</i> DATE: 10-8-91 TOLERANCES: UNLESS OTHERWISE SPECIFIED X.X            ±0.050" X.XX          ±0.015" X.XXX        ±0.005" ANGLES       ±0.500°	<b>PROPRIETARY</b> THIS DRAWING DOCUMENT CONTAINS INFORMATION WHICH IS PROPRIETARY TO AND IS THE PROPERTY OF THE FENDER MUSICAL INSTRUMENTS CO. AND MAY NOT BE USED, REPRODUCED OR DISCLOSED IN ANY MANNER WITHOUT THE EXPRESSED WRITTEN CONSENT FROM: FENDER MUSICAL INSTRUMENTS CO. 1130 COLUMBIA ST. BREA, CALIFORNIA 92621 ROCK ON. NEXT HIGHER ASSEMBLY: <b>R.A.D.</b>	<b>FENDER MUSICAL INSTRUMENTS</b> 1130 Columbia Street Brea, Ca. 92621 TITLE: SCHEMATIC DIAGRAM, R.A.D. AMPLIFIER SIZE: <b>D</b> DRAWN: B. DESI ENGR: M. WENTLINE DRAWING NUMBER: <b>034873</b> REV.: <b>B</b> SCALE:                      DATE: 10-18-89 SHEET 1 OF 1
--	--	--

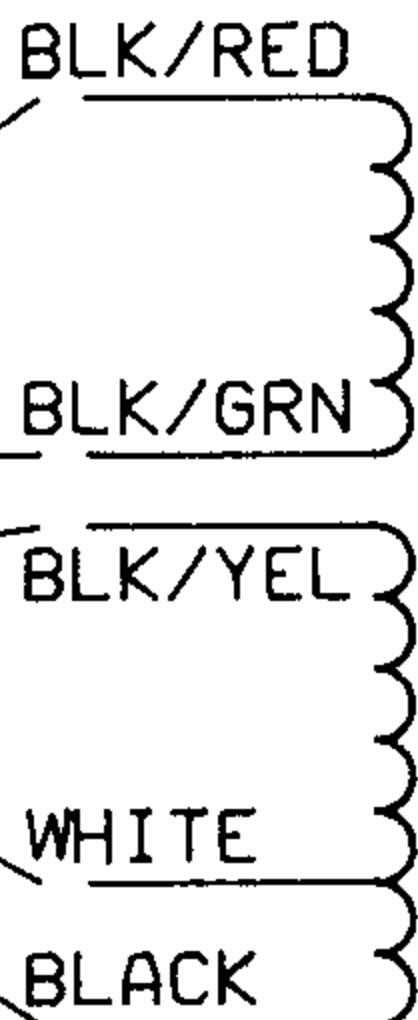
D  
C  
B  
SHEET 1 OF 1  
PART NO. 0034880000

8 | 7 | 6 | 5

D

EXPORT MODELS

100V	120V*	220V	240V
CP8	CP8	CP8	CP8
CP4	CP4	CP4	CP4
CP9	CP9	CP6	CP6
SB6	CP3	SB6	CP3
CP5	CP5	CP3	SB6



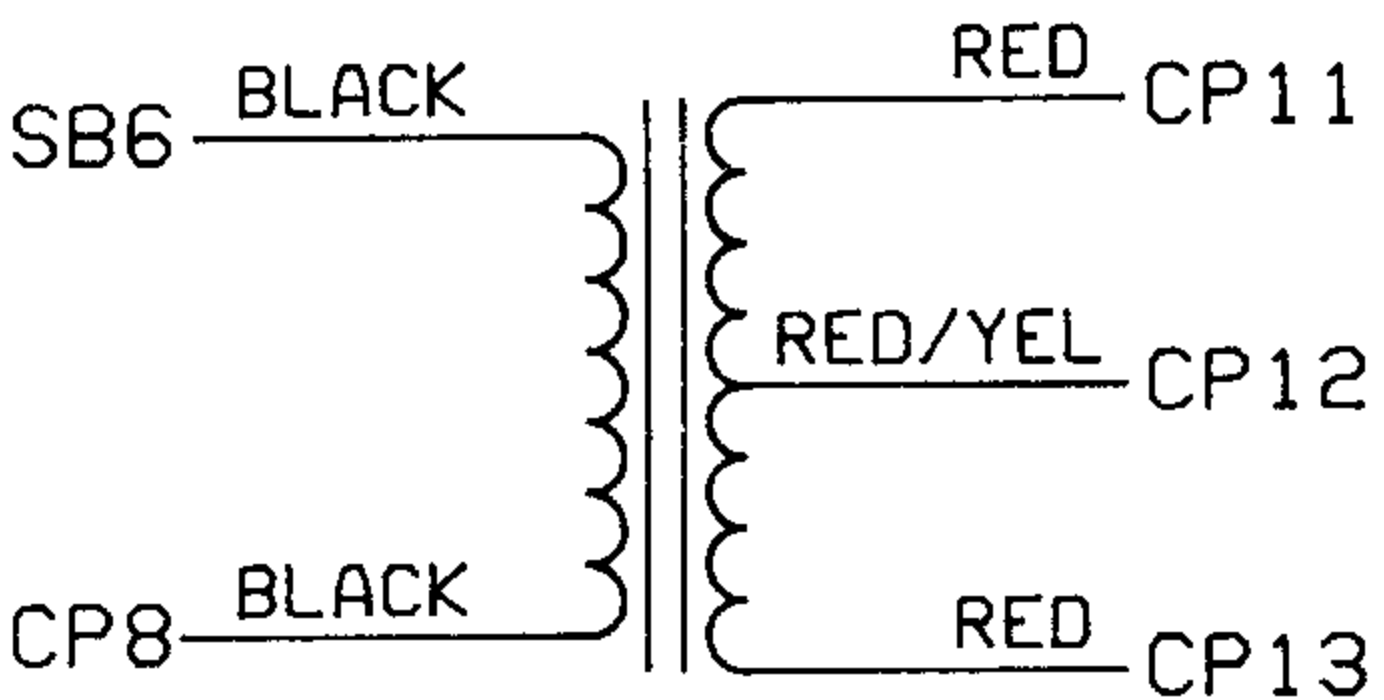
100V	120V	220V	240V
CP11	CP11	CP10	CP10
CP12	CP12	CP12	CP12
CP13	CP13	CP14	CP14

POWER TRANSFORMER P/N 033614

JUMPER CP7 TO SA3  
\*120V-JUMPER CP6 TO SB6

C

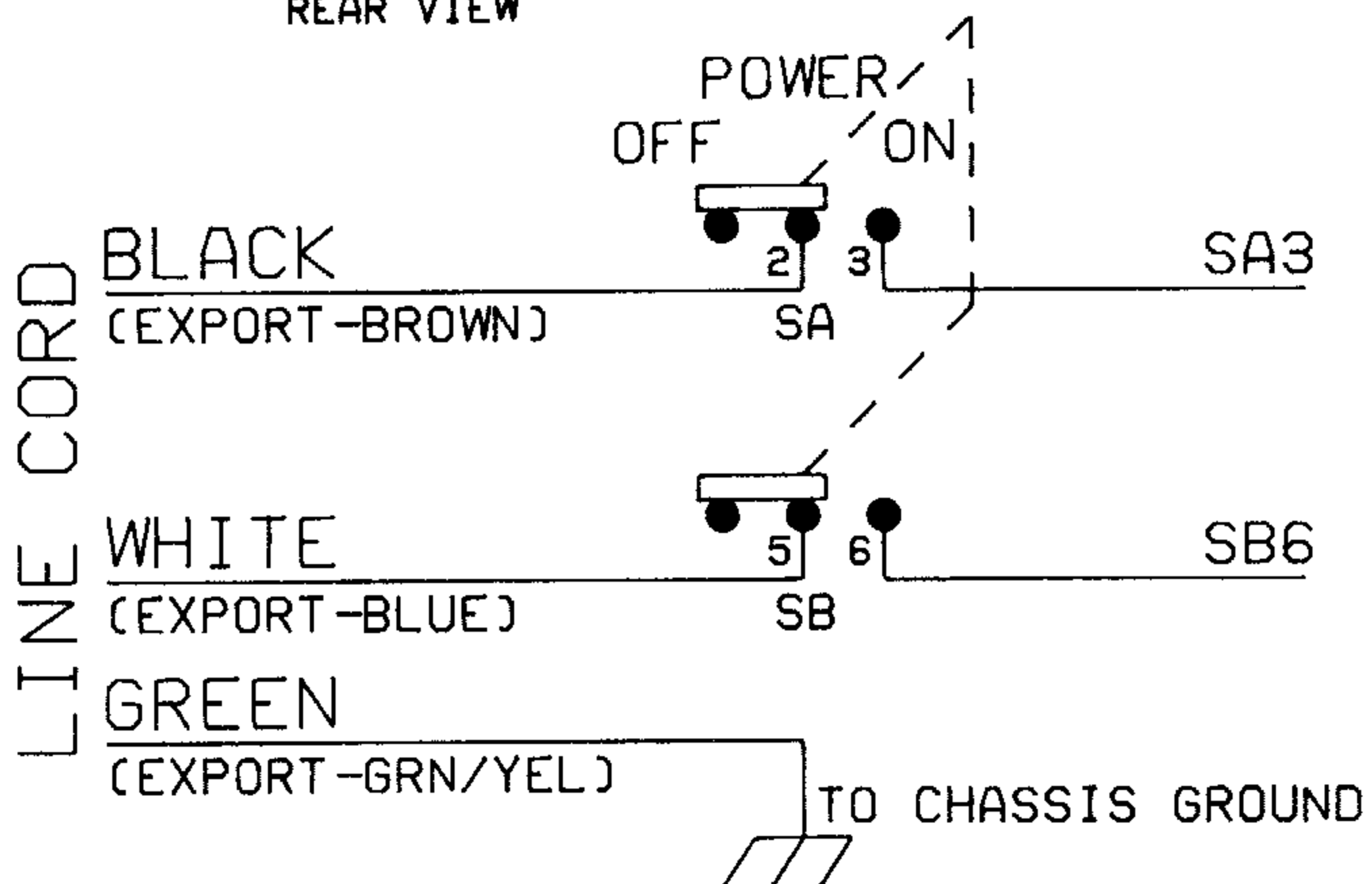
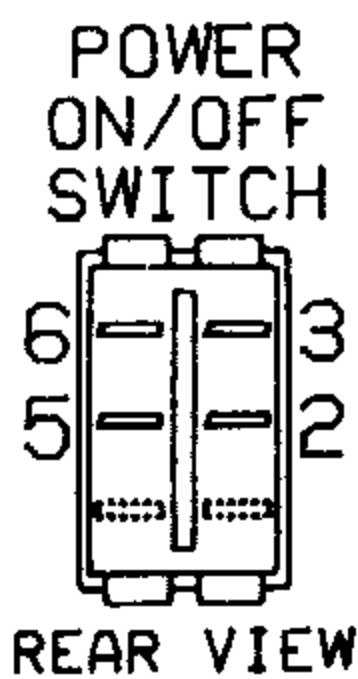
DOMESTIC MODEL



POWER TRANSFORMER P/N 033613

JUMPER CP7 TO SA3

B



A

LINE CORD

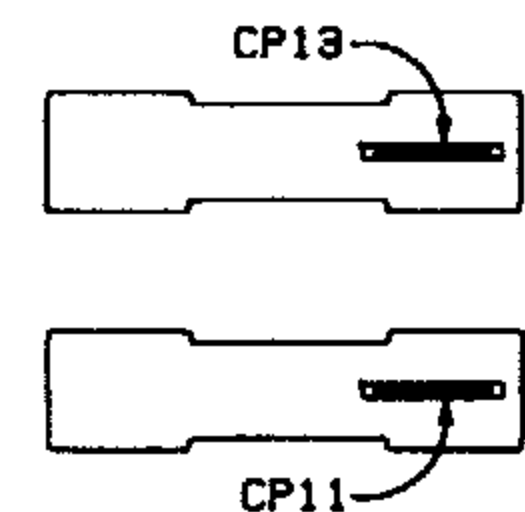
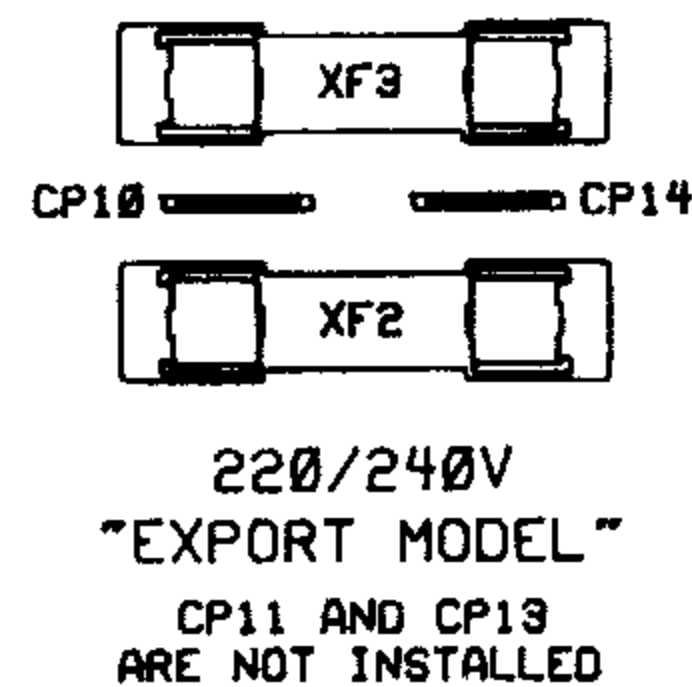
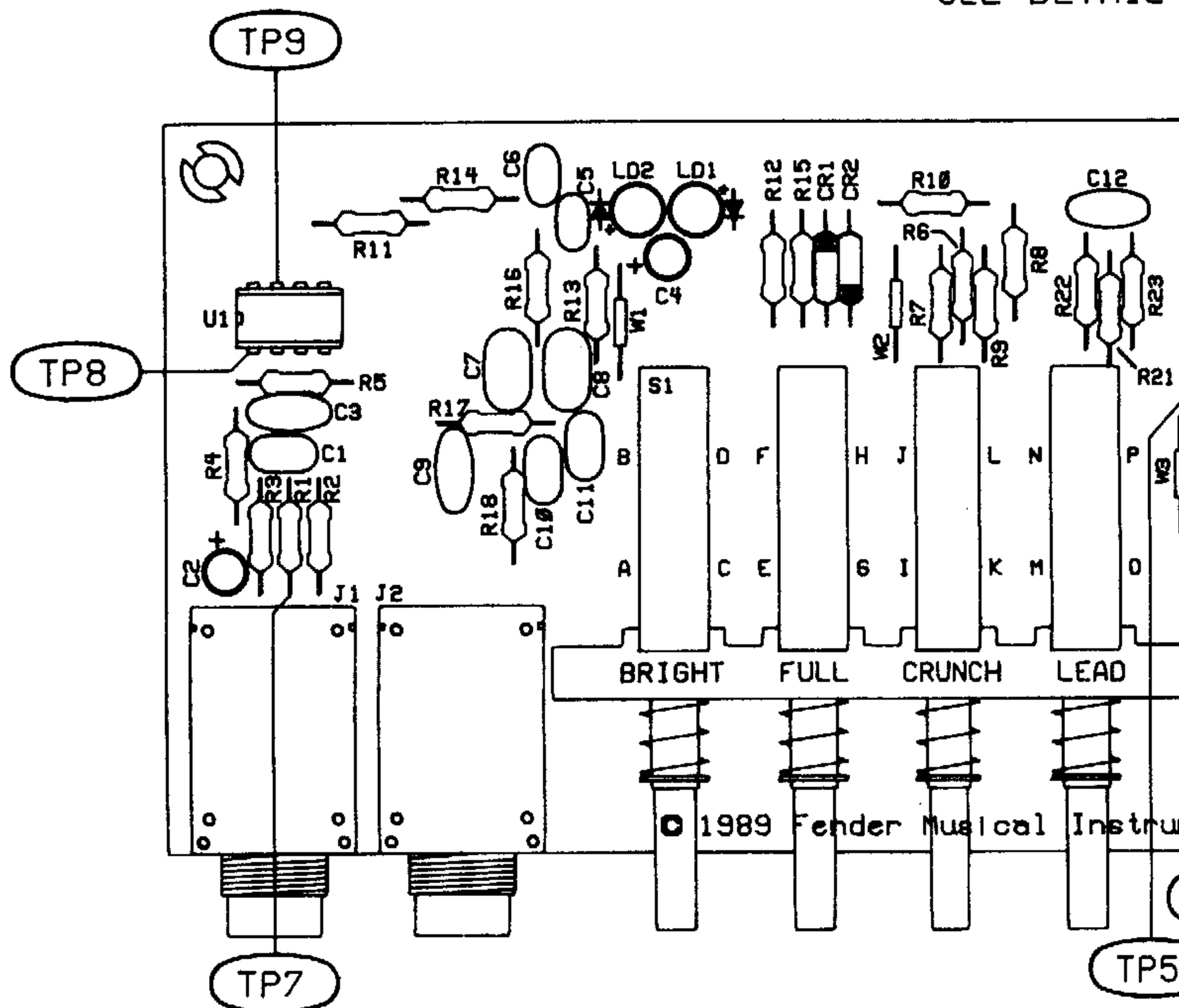
BLACK (EXPORT-BROWN)

WHITE (EXPORT-BLUE)

GREEN (EXPORT-GRN/YEL)

TO CHASSIS GROUND

SEE DETAIL



220/240V  
"EXPORT MODEL"  
CP10 AND CP14  
ARE NOT INSTALLED

"DOMESTIC MODEL"  
AND 100/120V  
"EXPORT MODEL"  
CP10 CP14 XF2 AND XF3  
ARE NOT INSTALLED

DETAIL B

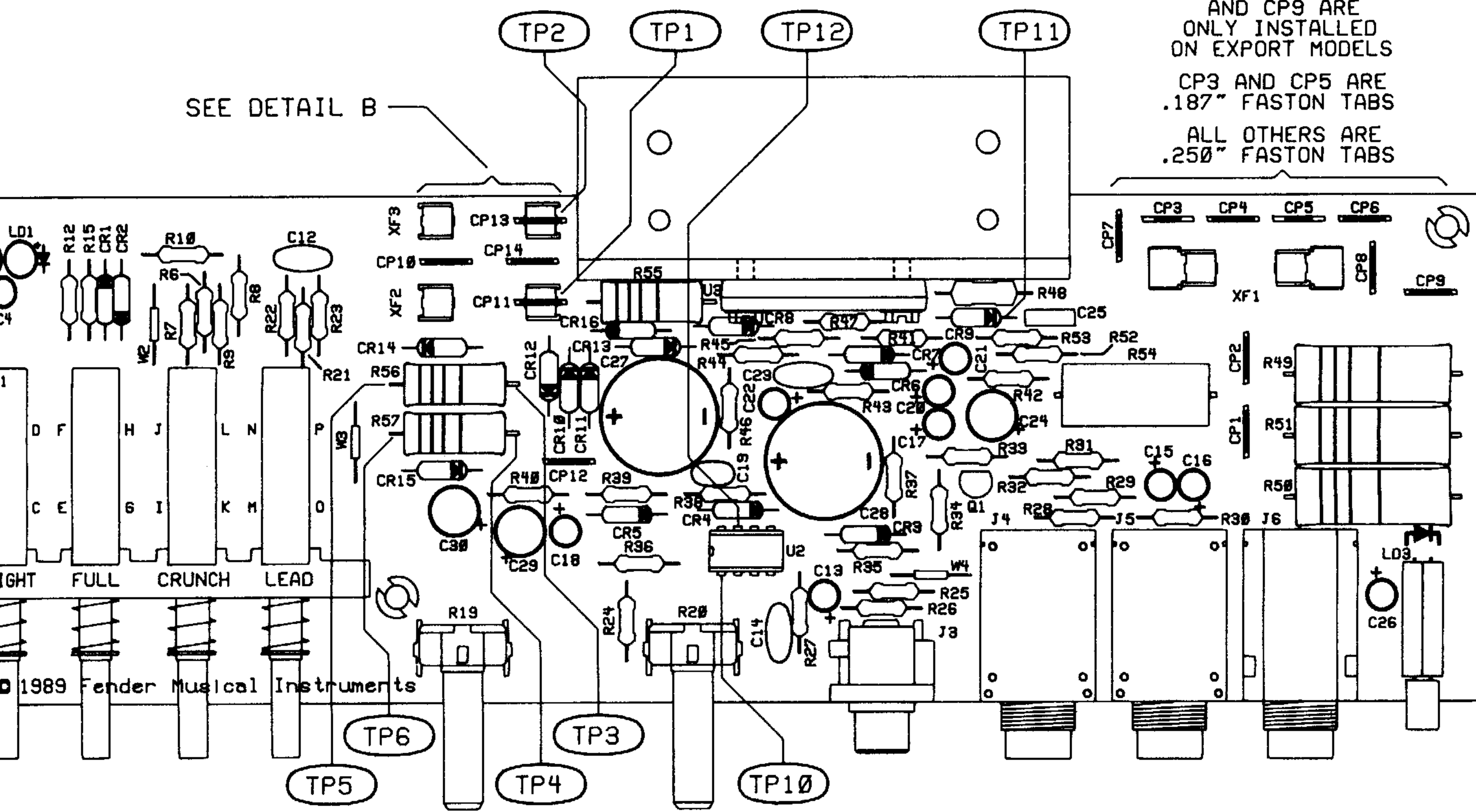
8 | 7 | 6 | 5

5 4 3 2 1

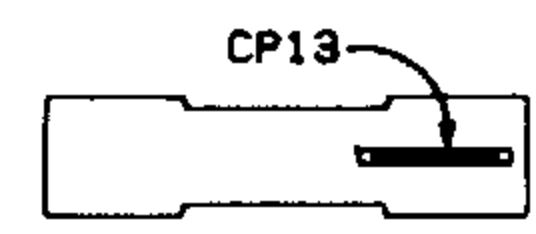
REVISIONS				
ZONE	REV.	DESCRIPTION	DATE	APPROVED
	A	RELEASED PR#137	10-30-89	B. DESI

220V	240V
CP10	CP10
CP12	CP12
CP14	CP14

VN Ø33614



FILM/DWG:	SERVICE DIAGRAM
DATABASE:	RAD1SER
DATE:	10-20-89
LAYERS PLOTTED:	1 2 3 4 10
	15 19



"DOMESTIC MODEL" AND 100/120V "EXPORT MODEL"  
 CP10 CP14 XF2 AND XF3 ARE NOT INSTALLED

DATABASE FILE: RAD1SER	
CHECKED BY:	B. DESI
DATE:	10-30-89
APPROVED:	B. DESI
DATE:	10-30-89
TOLERANCES: UNLESS OTHERWISE NOTED	
X.X	±0.050"
X.XX	±0.010"
X.XXX	±0.005"
ANGLES	±0.500°

**PROPRIETARY**

THIS DRAWING DOCUMENT CONTAINS INFORMATION WHICH IS PROPRIETARY TO AND IS THE PROPERTY OF THE FENDER MUSICAL INSTRUMENTS CO. AND MAY NOT BE USED, REPRODUCED OR DISCLOSED IN ANY MANNER WITHOUT THE EXPRESSED WRITTEN CONSENT FROM:

FENDER MUSICAL INSTRUMENTS CO.  
 1130 COLUMBIA ST.  
 BREA, CALIFORNIA 92621

NEXT HIGHER ASSEMBLY:  
 R.A.D.-ONE

**Fender** MUSICAL INSTRUMENTS  
 1130 Columbia Street  
 Brea, Ca. 92621

TITLE: SERVICE DIAGRAM FOR R.A.D.-ONE AMPLIFIER

SIZE	DRAWN: B. DESI	DRAWING NUMBER	REV.
<b>B</b>	ENGR: B. DESI	Ø34879	A

SCALE: DATE: 10-20-89 SHEET 1 OF 1

D

C

B

SHEET 1

PART NO. ØØ34879ØØØ

5 4 3 2 1