

FENDER '63 VIBROVERB

0217200 (120V)
 0217240 (220V)
 0217250 (220V)
 0217270 (100V)

PARTS LIST PAGE 1 OF 5

*** PCB ASSEMBLY ***

QTY	PART #	DESCRIPTION	REFERENCE DESIGNATION
1	036989	PCB FABRICATION	PC1 (BLANK)
1	036990	PCB ASSEMBLY (120V)	PCB1 (STUFFED)
1	037241	PCB ASSEMBLY (220/240V)	PCB1 (STUFFED)
1	037242	PCB ASSEMBLY (100V)	PCB1 (STUFFED)
4	9905301010	BARREL TERMINAL	BT1-4
1	018764	CAP 125VAC .01 10	C39 (103KACDVL113)
1	024820	CAPAE 350V 47uF 20	C38
5	024819	CAPAE 500V 22uF 20	C31-35
1	020909	CAPCD 1KV 47pF 10%	C11
1	069724	CAPCD 1KV 100pF 10%	C20
2	020867	CAPCD 1KV 330pF 10%	C2,7
2	020842	CAPCD 1KV 500pF 10%	C13,18
6	028465	CAPRE 25V 22uF 20	C1,6,12,14,15,25
1	036954	CAPRE 63V 22uF 20	C30
1	031040	CAPRE 100V 100uF 20	C36
1	024853	CAPRF 250V .1 10	C19
1	024833	CAPRF 400V .022 10	C17
2	024839	CAPRF 400V .033 10	C23,24
2	024845	CAPRF 400V .047 10	C4,9
2	024849	CAPRF 400V .068 10	C26,27
4	024854	CAPRF 400V .1 10	C3,8,28,29
1	037040	CAPRF 400V.0033 10	C16
2	026204	CAPRF 600V.0068 10	C5,10
2	024855	CAPRF 630V .1 10	C21,22
1	036963	CTRL, 1M,10%C	R54 (SPEED)
2	036966	CTRL, 1M,20%A	R10,21 (VOLUME)
1	036964	CTRL, 100K, B	R30 (REVERB)
1	036962	CTRL, 250K, B	R57 (INTENSITY)
2	036965	CTRL, 250K, 10A	R7,18 (BASS)
2	036967	CTRL, 250K, 20AM	R9,20 (TREBLE)
1	064089	DIODE, 200PRV, 1A, 1N4003	CR5
4	026730	DIODE, 800PRV, 1A, 1N5062	CR1-4
14	026000	FASTON TAB, .187	CP15-26,37,38
16	025802	FASTON TAB, .250	CP1-14,35,36
1	022547	FUSE CARRIER	FX1 (100/120V)
1	022548	FUSE CARRIER	FX1 (220/240V)
1	022546	FUSE HLDR, PCB MOUNT	XF1

FENDER '63 VIBROVERB

PARTS LIST PAGE 2 OF 5

*** PCB ASSEMBLY (CONTINUED) ***

QTY	PART #	DESCRIPTION	REFERENCE DESIGNATION
1	077982	FUSE, 3A	F1 (100/120V)
1	039982	FUSE, 4A	F2 (100/120V)
1	013114	FUSE, 1.6AT	F1 (220/240V)
1	013115	FUSE, 2AT	F2 (220/240V)
1	013109	FUSE, 250mAT	F3 (220/240V)
1	013112	FUSE, 1AT	F4 (220/240V)
1	013681	FUSE, 5AT	F5 (220/240V)
1	025996	FUSE CLIP, PCB DUAL (2 PCS)	XF2
3	020775	FUSE CLIP, PCB DUAL (2 PCS)	XF3-5 (220/240V)
4	037117	PHONEJK, MONO, CLCKT	J1-4 (INPUT)
1	027347	RESCF 1W 2.2K 5%	R26
1	036621	RESCF 1W 6.8K 5%	R37
1	027871	RESCF 1/2W 1K 5%	R58
1	025832	RESCF 1/2W 22K 5%	R22
1	036956	RESCF 1/2W 33K 5%	R59
2	025109	RESCF 1/2W 47ohm 5%	R62, 63
1	028857	RESCF 1/2W 68K 5%	R64
2	025115	RESCF 1/2W 82K 5%	R23, 43
6	025116	RESCF 1/2W 100K 5%	R4, 15, 29, 34, 44, 55
1	025117	RESCF 1/2W 220K 5%	R11
1	036957	RESCF 1/2W 470K 5%	R51
6	025069	RESCF 1/4W 1M 5%	R3, 14, 25, 36, 38, 40
1	024981	RESCF 1/4W 10K 5%	R41
1	024987	RESCF 1/4W 22K 5%	R56
1	028865	RESCF 1/4W 30K 5%	R53
4	024995	RESCF 1/4W 68K 5%	R1, 2, 12, 13
1	024996	RESCF 1/4W 82K 5%	R65
4	024969	RESCF 1/4W 1.5K 5%	R5, 16, 28, 33
2	024997	RESCF 1/4W 100K 5%	R6, 17
4	025059	RESCF 1/4W 220K 5%	R27, 35, 45, 46
2	028016	RESCF 1/4W 300K 5%	R49, 50
1	025063	RESCF 1/4W 390K 5%	R31
1	024977	RESCF 1/4W 4.7K 5%	R52
1	025065	RESCF 1/4W 470K 5%	R32
1	024961	RESCF 1/4W 470ohm 5%	R42
2	024979	RESCF 1/4W 6.8K 5%	R8, 19
2	024964	RESCF 1/4W 820ohm 5%	R24, 39
2	036470	RESFP 1W 10K 5%	R60, 61
2	036468	RESFP 1W 470ohm 5%	R47, 48
1	028503	THERMISTOR, NTC	TH1
1	037243	WIRE SET	WS1

FENDER '63 VIBROVERB

PARTS LIST PAGE 3 OF 5

*** CHASSIS ASSEMBLY ***

QTY	PART #	DESCRIPTION	REFERENCE DESIGNATION
1	037216	CHASSIS ASS'Y COMPLETE	CH1 (120V)
1	037217	CHASSIS ASS'Y COMPLETE	CH1 (240V)
1	037218	CHASSIS ASS'Y COMPLETE	CH1 (220V)
1	037219	CHASSIS ASS'Y COMPLETE	CH1 (100V)
1	036993	CHASSIS FABRICATED BLANK	CS1
1	026038	BUSHING STRAIN RELIEF	SR1 (AT POWER CABLE)
1	026116	BUSHING STRAIN RELIEF	SR2 (AT REVERB CABLE)
7	018022	BUSHING SNAP	SR3-9
1	026541	CABLE ASS'Y POWER	LC1 (100/120V)
1	033331	CABLE ASS'Y POWER	LC1 (220/240V)
1	028577	CABLE ASS'Y REVERB	RC1
2	022491	CABLE CLAMP	CM1,2
1	036486	CHOKE, 1500, 90mA	L1
1	032219	COLLAR	CL1
1	037300	COVER, CAPACITOR	CC1
9	036678	KNOB, BROWN	K1-9
1	021642	LAMP, T47	LA1
1	036595	LENS, JEWEL	JL1
3	016352	NUT, HEX 3/8-32 NI	NT1-3 (AT REAR JACKS)
9	022004	NUT, KEPS 8-32	NT4-12 (PWR & OUT XF)
1	031625	NUT, HEX	NT13 (AT LAMP HOLDER)
1	021550	PHONEJK, MONO, CLCKT	J6 (SPEAKER)
1	021956	PHONEJK, MONO, OPCKT	J7 (EXT. SPEAKER)
1	013043	PHONEJK, STEREO	J5 (FOOTSWITCH)
1	036759	PLATE, FRONT	FP1
1	036760	PLATE, REAR	RP1
15	028937	SCREW TF 6-32x5/8 PHP ZI	SC1-15 (PCB MTG)
4	026314	SCREW SMB 6x3/16 PHP NI	SC16-19 (CAP CVR MTG)
21	029913	SCREW TF 6-32x3/16 PHP ZI	SC20-40 (TUBE SKTS)
4	026553	SCREW M 8-32x3/8 PHP BLX	SC41-44 (OUTPUT XFMR)
1	032806	SCREW TF 6-32x1/4 PHP BLX	SC45 (REAR PLATE MTG)
2	037239	SCREW TF 8-32x3/8 PHP BLX	SC46,47 (CBLE CLAMPS)
15	025936	STAND-OFF 3/8	S01-15
1	036570	SWITCH, DPST, PWR	S1 (ON/OFF SWITCH)
1	036571	SWITCH, SPDT, PWR	S2 (GROUND SWITCH)
1	037093	SWITCH, SPST, PWR	S3 (STANDBY SWITCH)
2	031091	TUBE CLAMP	TC1,2
5	013341	TUBE, MINI DUAL TRIODE	V1,2,4-6 (12AX7A/7025)
1	023531	TUBE, MINI DUAL TRIODE	V3 (12AT7 REVRB DRVR)
2	023556	TUBE, BEAM POWER OUTPUT	V7,8 (6L6GC OUTPUT)
6	023606	TUBE SOCKET, 9 PIN	VK1-6
2	023580	TUBE SOCKET, OCTAL	VK7,8
3	031153	WASHER FW .378x.614x.021	WW1-3 (REAR JACKS)
3	016436	WASHER LWI #3/8	WW4-6 (AT JACKS)

FENDER '63 VIBROVERB

PARTS LIST PAGE 4 OF 5

*** CHASSIS ASSEMBLY (CONTINUED) ***

QTY	PART #	DESCRIPTION	REFERENCE DESIGNATION
1	037214	WIRE SET	WS2
1	036968	XFMR, OUTPUT	T3
1	036958	XFMR, POWER, DOMESTIC	T1 (120V)
1	036959	XFMR, POWER, EXPORT	T1 (100V/220V/240V)
1	037099	XFMR, RVRB DRVR	T2

*** CABINET ASSEMBLY ***

QTY	PART #	DESCRIPTION	REFERENCE DESIGNATION
1	036900	CABINET ASS'Y COMPLETE	CB1
1	036902	BACK ASS'Y, UPPER	UB1
1	036903	BACK ASS'Y LOWER	LB1
4	024695	CORNER NICKEL	CN1-4
1	027648	FOIL TAPE	FT1
4	024653	GLIDE	CG1-4
4	022483	GLIDE INSERT	GL1-4
1	037121	HANDLE	HD1
2	025395	HANDLE CAP	HC1,2
1	032524	HANDLE INSERT	HA1
1	036901	GRILLE BAFFLE ASS'Y	GB1
1	036797	GRILLE CLOTH TAN/BROWN	GC1
8	022103	SCREW SM 8x3/4 OH	SC48-55 (CORNER MTG)
4	026625	SCREW WOOD 8x1 FH	SC56-59 (GLIDE MTG)
4	022244	SCREW M 10-32x1-1/8 OHP NI	SC60-63 (HANDLE MTG)
2	021972	TEE NUT 10-32	TN1-4 (HANDLE MTG)
8	021972	TEE NUT 10-32	TN5-12 (SPEAKER MTG)
1	036796	VINYL, BROWN	VY1

*** REVERB/VIBRATO FOOTSWITCH ASSEMBLY ***

QTY	PART #	DESCRIPTION	REFERENCE DESIGNATION
1	037211	FOOTSWITCH ASS'Y, COMPLETE	FT1
1	021691	BUSHING, STRAIN RELIEF	SF1
1	022665	COVER, BOTTOM	CV1
1	024638	CUP, FOOTSWITCH	CZ1
1	016063	DECAL, REV/VIB	DC1
1	013172	PLUG, 3-COND. RT. ANGLE	PG1
2	024042	SWITCH, STOMP, SPST	S4,5
4	022012	NUT, HEX	NT14-17
2	022293	WASHER, FLAT	WW7,8
1	037245	WIRE SET	WS3

FENDER '63 VIBROVERB

PARTS LIST PAGE 5 OF 5

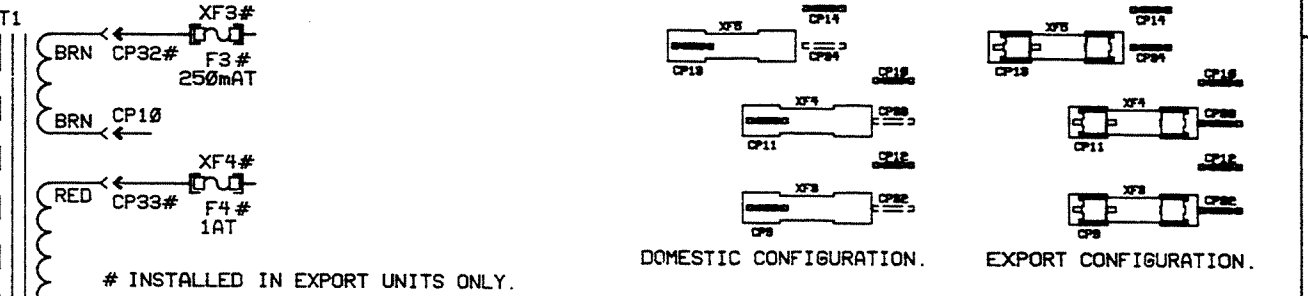
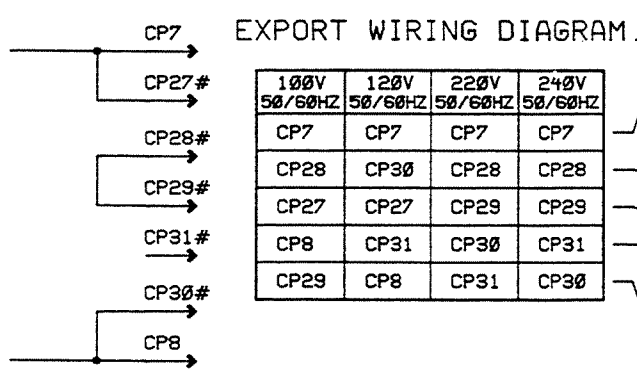
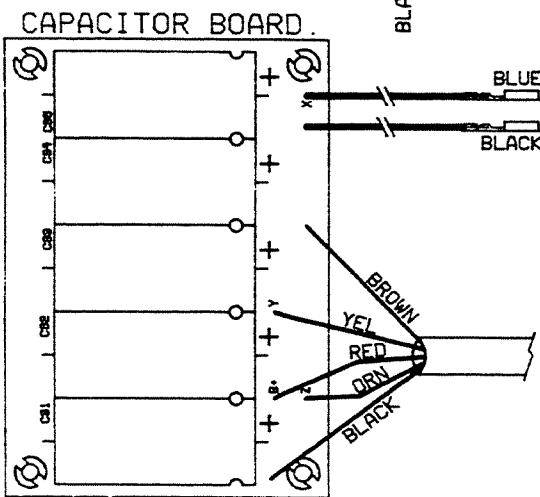
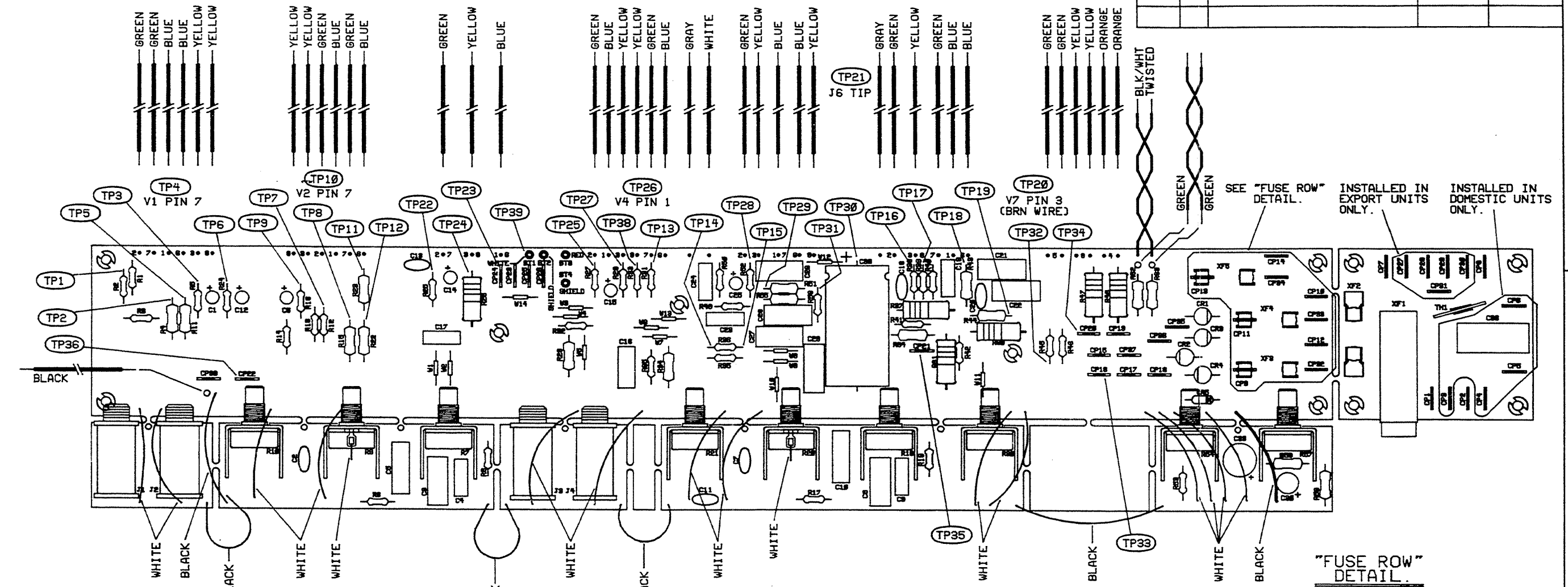
*** MISCELLANEOUS ***

QTY	PART #	DESCRIPTION	REFERENCE DESIGNATION
2	022491	CABLE CLAMP	CM1,2
1	9906900590	CABLE CLAMP NYL ADHESIVE	CM3
2	024745	CHASSIS STRAP 4" NI	CJ1,2
2	024828	LEG, TILT BACK	TL1,2
2	024646	LEG STOP	LS1,2
1	036795	NAMEPLATE FENDER	NP1
2	021998	NUT HEX LOCK 10-32	NT18-19 (TILT LEGS)
1	028453	REVERB PAD, CARDBOARD	RP1
1	031849	REVERB SPRING UNIT BAG	RB1
1	064063	REVERB UNIT 4-SPRING	RR1
8	016188	SCREW SMA 6x1 OH PHS	SC64-71 (BACK MTG)
4	022236	SCREW M 8-32x3-1/4 OH PHS	SC72-75 (CHASS STRAP)
7	029828	SCREW PB 8x3/4 PH PHS	SC76-82 (REV/CHS/CLP)
8	026577	SCREW M 10-32x1 PH PHS	SC83-90 (SPEAKER MTG)
2	022277	SCREW M 10-32x1-1/2 OH	SC91,92 (LEG MTG)
2	031344	SCREW SMD 10x7/8 OH PHS	SC93,94 (LEG STOP)
4	037210	SCREW SMA 2x3/8 OH PHS	SC95-98 (NAMEPLATE)
4	011678	SCREW SMA 8x1-1/2 OH PHS	SC99-102 (BAFFLE MTG)
2	037076	SPEAKER 10" 8 OHM	SP1,2
1	037212	TUBE LOCATION CHART	TU1
6	023598	TUBE SHIELD	VS1-6
6	022319	WASHER FLAT	WW9-14 (AT TILT LEGS)
2	022285	WASHER SPLIT	WW15,16 (TILT LEGS)
8	037215	WASHER FINISH #6 C'SINK	WW17-24 (BACK MTG)
1	037213	WIRE SET, FINAL	WS4

*** DOCUMENTATION ***

QTY	PART #	DESCRIPTION	REFERENCE DESIGNATION
1	037307	OWNERS MANUAL	OM1
1	036992	SCHEMATIC/SRVC DIAGRAMS	SM1
1	013736	WARRANTY SHEET	WM1

REVISIONS				
ZONE	REV.	DESCRIPTION	DATE	APPROVED
	A	RELEASED PRI61	8/8/90	MDW



NOTES: 1) PCB SHOWN AS FABRICATED, EXCEPT WITH CAPACITOR BREAK-AWAY BOARD SEPARATED.

FILM/DWG: SERVICE DIAGRAM	DATE: 8/1/90
DATABASE: 63VRBP.DBF	LAYERS PLOTTED: 1 2 3 4 10 15 19

ALTERNATE POWER TRANSFORMER P/N 036959

DATABASE FILE: 63VRBSE.DBF
 CHECKED BY: *Wilkens*
 DATE: 8/15/90
 APPROVED: *Wilkens*
 DATE: 2/15/90
 TOLERANCES: UNLESS OTHERWISE SPECIFIED
 X.X ±0.050"
 X.XX ±0.010"
 X.XXX ±0.005"
 ANGLES ±0.500°

PROPRIETARY
 THIS DRAWING DOCUMENT CONTAINS INFORMATION WHICH IS PROPRIETARY TO AND IS THE PROPERTY OF THE FENDER MUSICAL INSTRUMENTS CO. AND MAY NOT BE USED, REPRODUCED OR DISCLOSED IN ANY MANNER WITHOUT THE EXPRESSED WRITTEN CONSENT FROM:
 FENDER MUSICAL INSTRUMENTS CO.
 1128 COLUMBIA ST.
 BREA, CALIFORNIA 92621
 TUBES: SLOW-FETS FROM HELL.

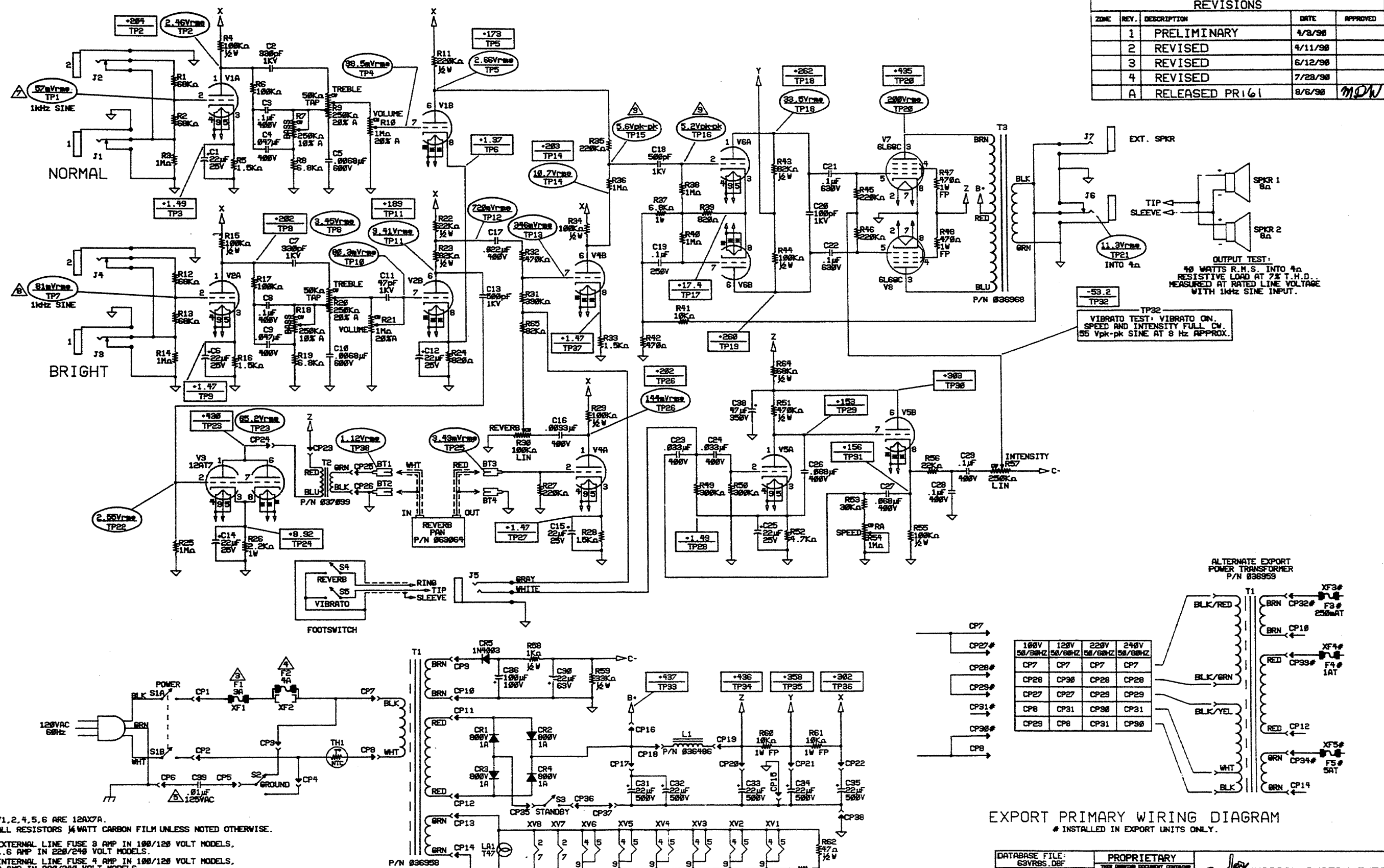
Fender MUSICAL INSTRUMENTS
 1130 Columbia Street
 Brea, Co. 92621

TITLE: SERVICE DIAGRAM FOR 63 VIBROVERB

SIZE: B	DRAWN: WILKENS	DRAWING NUMBER: 036991	REV.:
	ENGR: WILKENS		A

SCALE: NONE DATE: 8/8/90 SHEET 1 OF 1

REVISIONS				
ZONE	REV.	DESCRIPTION	DATE	APPROVED
	1	PRELIMINARY	4/3/98	
	2	REVISED	4/11/98	
	3	REVISED	6/12/98	
	4	REVISED	7/23/98	
	A	RELEASED PR161	8/6/98	MDW



- NOTES:
- 1.) V1,2,4,5,6 ARE 12AX7A.
 - 2.) ALL RESISTORS 1/4WATT CARBON FILM UNLESS NOTED OTHERWISE.
 - 3.) EXTERNAL LINE FUSE 3 AMP IN 100/120 VOLT MODELS, 1.6 AMP IN 220/240 VOLT MODELS.
 - 4.) INTERNAL LINE FUSE 4 AMP IN 100/120 VOLT MODELS, 2 AMP IN 220/240 VOLT MODELS.
 - 5.) CP3,4,5,6 AND C88 INSTALLED IN 120V MODELS ONLY. C88 U.L. AND C.S.A. RECOGNIZED.
 - 6.) ALL VOLTAGES MEASURED WITH RESPECT TO GROUND USING A DVM OF AT LEAST 1MΩ AC INPUT IMPEDANCE AND OF 10 MΩ DC INPUT IMPEDANCE. VOLTAGES MAY VARY ± 20%. TEST CONDITIONS:
LINE VOLTAGE AT 120.0 VAC AT 60 Hz.
REVERB AND VIBRATO OFF.
REVERB AND VIBRATO CONTROLS FULL CCW.
ALL VOLUME AND TONE CONTROLS AT 50% ROTATION.
DC VOLTAGES MEASURED WITH NO AC SIGNAL PRESENT.
 - 7.) AC TEST POINTS TP1,2,4,5 MEASURED WITH NO SIGNAL PRESENT AT THE BRIGHT CHANNEL INPUT. VOLTAGE AT TP1 ADJUSTED TO OBTAIN 11.3 Vrms OUTPUT VOLTAGE (CONSET OF CLIPPING).
 - 8.) BRIGHT CHANNEL TEST POINTS MEASURED WITH NO SIGNAL PRESENT AT THE NORMAL CHANNEL INPUT. VOLTAGE AT THE BRIGHT CHANNEL INPUT ADJUSTED TO OBTAIN 11.3 Vrms OUTPUT VOLTAGE.
 - 9.) AC VOLTAGES AT TP15, TP16 MEASURED WITH AN OSCILLOSCOPE USING A X10 PROBE.
 - 10.) SIX-DIGIT NUMBERS ARE FENDER PART NUMBERS.

EXPORT PRIMARY WIRING DIAGRAM
INSTALLED IN EXPORT UNITS ONLY.

DATABASE FILE: 63VRS.DBF CHECKED BY: <i>Wilkins</i> DATE: 8/15/98 APPROVED: <i>Wilkins</i> DATE: 8/15/98 TOLERANCES: X.X .50% X.XX .010" X.XXX .005" ANGLES .000"	PROPRIETARY THIS DRAWING IS THE PROPERTY OF MUSICAL INSTRUMENTS CO. 1138 Columbia Street Brea, Ca. 92621 WITHOUT THE EXPRESSED WRITTEN CONSENT FROM: MUSICAL INSTRUMENTS CO. 1138 COLUMBIA ST. BREA, CALIFORNIA 92621 BOX 01	TITLE: SCHEMATIC 63 VIBROVERB DRAWN: WILKENS CHECKED: WILKENS DATE: 8/6/98 SHEET 1 OF 1
---	--	---

SHEET 1 OF 1