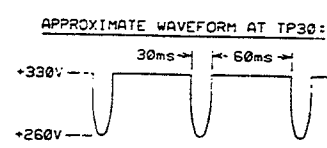
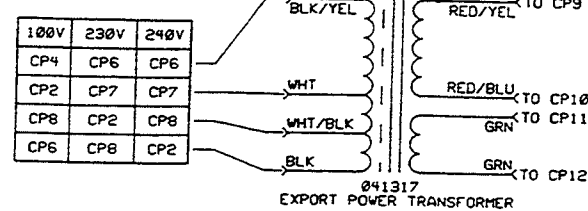


REVISIONS				
ZONE	REV.	DESCRIPTION	DATE	APPROVED
	A	PR#239	7-2-93	B.D.

OUTPUT TEST:
 22 WATTS MINIMUM RMS INTO
 AN 8Ω RESISTIVE LOAD AT 5% THD
 WITH 1KHz INPUT INTO THE NORMAL
 CHANNEL AT 11. ALL NORMAL CHANNEL
 CONTROLS FULL CW. ALL VIBRATO
 CHANNEL CONTROLS FULL CCW.
 REVERB AND VIBRATO OFF.



**EXPORT TRANSFORMER
 WIRING DIAGRAM**



- NOTES: UNLESS OTHERWISE SPECIFIED**
- V1,2,4,5 ARE 12AX7A.
 - ALL RESISTORS ARE 1/4 W 5% CARBON FILM.
 - 6-DIGIT NUMBERS ARE FENDER PART NUMBERS.
 - FUSE IS 2A FAST-ACTING IN 100-120V MODELS, F1A IN 220-240V MODELS.
 - U.L. LISTED E33628, C.S.A. LISTED 32208.
 - C30 AND S2 INSTALLED IN 120V UNITS ONLY.
 - CP3-8 NOT INSTALLED IN 120V UNITS.
 - ALL VOLTAGES MEASURED WITH RESPECT TO GROUND USING A DVM OF AT LEAST 1MΩ AC INPUT IMPEDANCE AND 10MΩ DC IMPEDANCE. VOLTAGES MAY VARY ±20%. TEST CONDITIONS: LINE VOLTAGE AT 120VAC 60Hz. STANDBY SWITCH S3 ON. REVERB AND VIBRATO SWITCHED OFF WITH FOOTSWITCH. VIBRATO SPEED CONTROL R42 AT MAXIMUM CW ROTATION. ALL OTHER PANEL CONTROLS AT 50% ROTATION. BIAS SET FOR -37 VDC AT TP36.
 - ALL DC VOLTAGES MEASURED WITH NO INPUT SIGNAL. TP29-30 MEASURED WITH AN OSCILLOSCOPE, WITH NO INPUT SIGNAL AND VIBRATO SWITCHED ON. TP6, 8, 9, 11 MEASURED WITH A 1KHz SINEWAVE INPUT TO NORMAL CHANNEL ONLY. ALL OTHER AC TESTPOINTS MEASURED WITH A 1KHz SINEWAVE INPUT TO VIBRATO CHANNEL ONLY.
 - AC VOLTAGES AT TP31 & TP32 MEASURED WITH AN OSCILLOSCOPE USING A X10 PROBE.
 - LAST INSTANCES: C36 CP23 CR1 F1 J8 L1 LA1 OP1 P20 R71 S3 SP2 T3 TH1 TP39 V9 XF1 XV8

DATABASE FILE: 65DLXS

CHECKED BY: B.D. DATE: 7-4-93

APPROVED: B.D. DATE: 7-9-93

TOLERANCES: UNLESS OTHERWISE SPECIFIED:
 X.X .05"
 X.XX .010"
 X.XXX .005"
 ANGLES .500"

PROPRIETARY
 THIS DRAWING CONTAINS INFORMATION WHICH IS PROPRIETARY TO AND IS THE PROPERTY OF THE FENDER MUSICAL INSTRUMENTS CO. AND MAY NOT BE REPRODUCED OR DISCLOSED IN ANY MANNER WITHOUT THE EXPRESS WRITTEN CONSENT FROM:
 FENDER MUSICAL INSTRUMENTS CO.
 1130 COLUMBIA ST.
 BREA, CALIFORNIA 92621
 ROCK ON.

MUSICAL INSTRUMENTS
 1130 Columbia Street
 Brea, CA 92621

TITLE: SCHEMATIC DIAGRAM,
 65 DELUXE REVERB AMPLIFIER

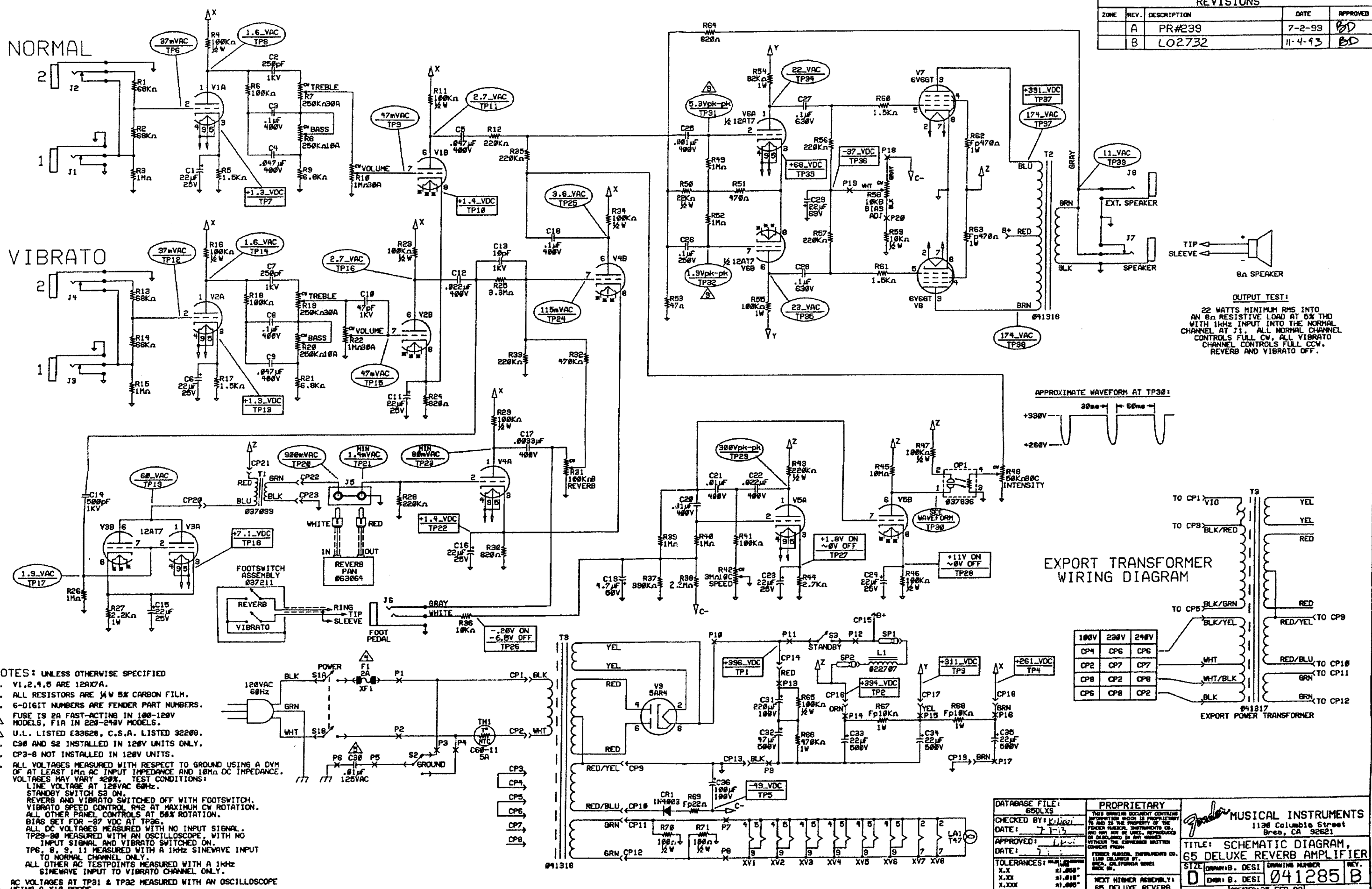
SIZE: DRAWING: DESI DRAWING NUMBER: REV.
 D ENGR: B. DESI 041285 A

NEXT HIGHER ASSEMBLY:
 65 DELUXE REVERB GUITAR AMPLIFIER

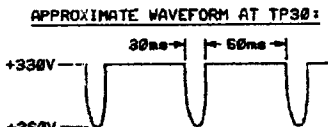
SCALE: CREATED: 25-FEB-93 PLOTTED: 07-JUL-93 SHEET 1 OF 1

0041286000

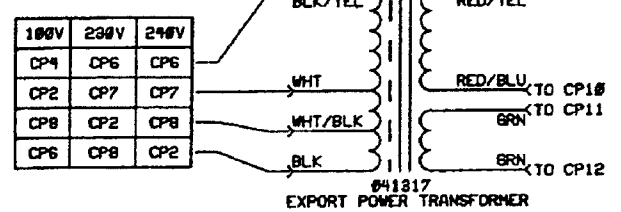
REVISIONS				
ZONE	REV.	DESCRIPTION	DATE	APPROVED
	A	PR#239	7-2-93	BD
	B	LO2732	11-4-93	BD



OUTPUT TEST!
 22 WATTS MINIMUM RMS INTO AN 8Ω RESISTIVE LOAD AT 5% THD WITH 1kHz INPUT INTO THE NORMAL CHANNEL AT J1. ALL NORMAL CHANNEL CONTROLS FULL CW, ALL VIBRATO CHANNEL CONTROLS FULL CCW. REVERB AND VIBRATO OFF.



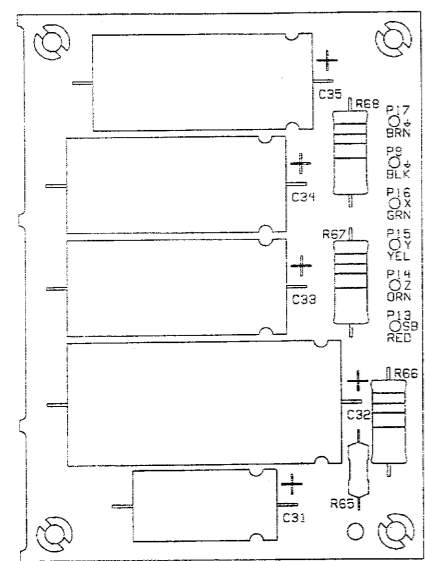
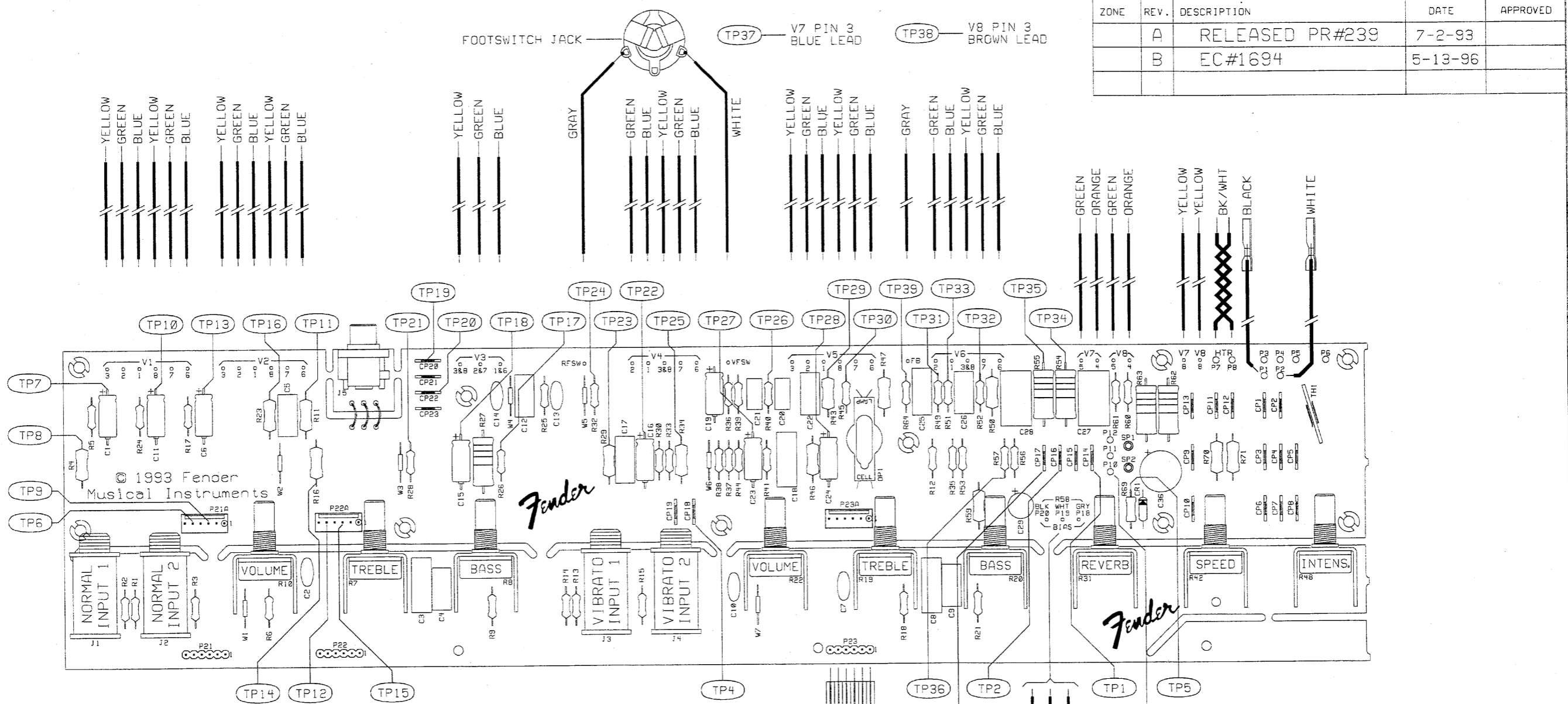
EXPORT TRANSFORMER WIRING DIAGRAM



- NOTES: UNLESS OTHERWISE SPECIFIED**
- V1, 2, 4, 5 ARE 12AX7A.
 - ALL RESISTORS ARE 1/4 W 5% CARBON FILM.
 - 6-DIGIT NUMBERS ARE FENDER PART NUMBERS. FUSE IS 2A FAST-ACTING IN 100-120V MODELS, 1A IN 220-240V MODELS.
 - U.L. LISTED E33628, C.S.A. LISTED 32200.
 - C30 AND S2 INSTALLED IN 120V UNITS ONLY.
 - CP3-8 NOT INSTALLED IN 120V UNITS.
 - ALL VOLTAGES MEASURED WITH RESPECT TO GROUND USING A DVM OF AT LEAST 1MΩ AC INPUT IMPEDANCE AND 10MΩ DC IMPEDANCE. VOLTAGES MAY VARY ±20%. TEST CONDITIONS: LINE VOLTAGE AT 120VAC 60Hz. STANDBY SWITCH S3 ON. REVERB AND VIBRATO SWITCHED OFF WITH FOOTSWITCH. VIBRATO SPEED CONTROL R42 AT MAXIMUM CW ROTATION. ALL OTHER PANEL CONTROLS AT 50% ROTATION. BIAS SET FOR -87 VDC AT TP36. ALL DC VOLTAGES MEASURED WITH NO INPUT SIGNAL. TP29-30 MEASURED WITH AN OSCILLOSCOPE, WITH NO INPUT SIGNAL AND VIBRATO SWITCHED ON. TP6, 8, 9, 11 MEASURED WITH A 1kHz SINEWAVE INPUT TO NORMAL CHANNEL ONLY. ALL OTHER AC TESTPOINTS MEASURED WITH A 1kHz SINEWAVE INPUT TO VIBRATO CHANNEL ONLY.
 - AC VOLTAGES AT TP31 & TP32 MEASURED WITH AN OSCILLOSCOPE USING A X10 PROBE.
 - LAST INSTANCES: C96 CP23 CR1 F1 J8 L1 LA1 OP1 P20 R71 S3 SP2 T3 TH1 TP39 V9 XF1 XV8

DATABASE FILE: 65DLXS CHECKED BY: K. L. L... DATE: 7-1-93 APPROVED: [Signature] DATE: 7-1-93 TOLERANCES: 1% 2% 5% 10% X.X .1% X.XX .1% X.XXX .1% XXXX .1%	PROPRIETARY THIS DESIGN IS THE PROPERTY OF FENDER MUSICAL INSTRUMENTS CO. AND MAY NOT BE USED, REPRODUCED OR DISCLOSED IN ANY MANNER WITHOUT THE EXPRESS WRITTEN CONSENT FROM FENDER MUSICAL INSTRUMENTS CO. 1150 COLUMBIA ST. BRCA, CA 92621 TITLE: SCHEMATIC DIAGRAM, 65 DELUXE REVERB AMPLIFIER SIZE: DRAWING DESI DRAWING NUMBER D CHAR: B. DESI 041285 B NEXT HIGHER ASSEMBLY: 65 DELUXE REVERB GUITAR AMPLIFIER SCALE: 1:1 CREATED: 25-FEB-93 PLOTTED: 07-JUL-93 SHEET 1 OF 1
--	--

REVISIONS				
ZONE	REV.	DESCRIPTION	DATE	APPROVED
	A	RELEASED PR#239	7-2-93	
	B	EC#1694	5-13-96	



PCB SHOWN AS FABRICATED, EXCEPT WITH CAPACITOR BREAK-AWAY BOARD SEPARATED

FLEX CABLE INSTALLED AT P21, P22 AND P23 (3 PLACES)

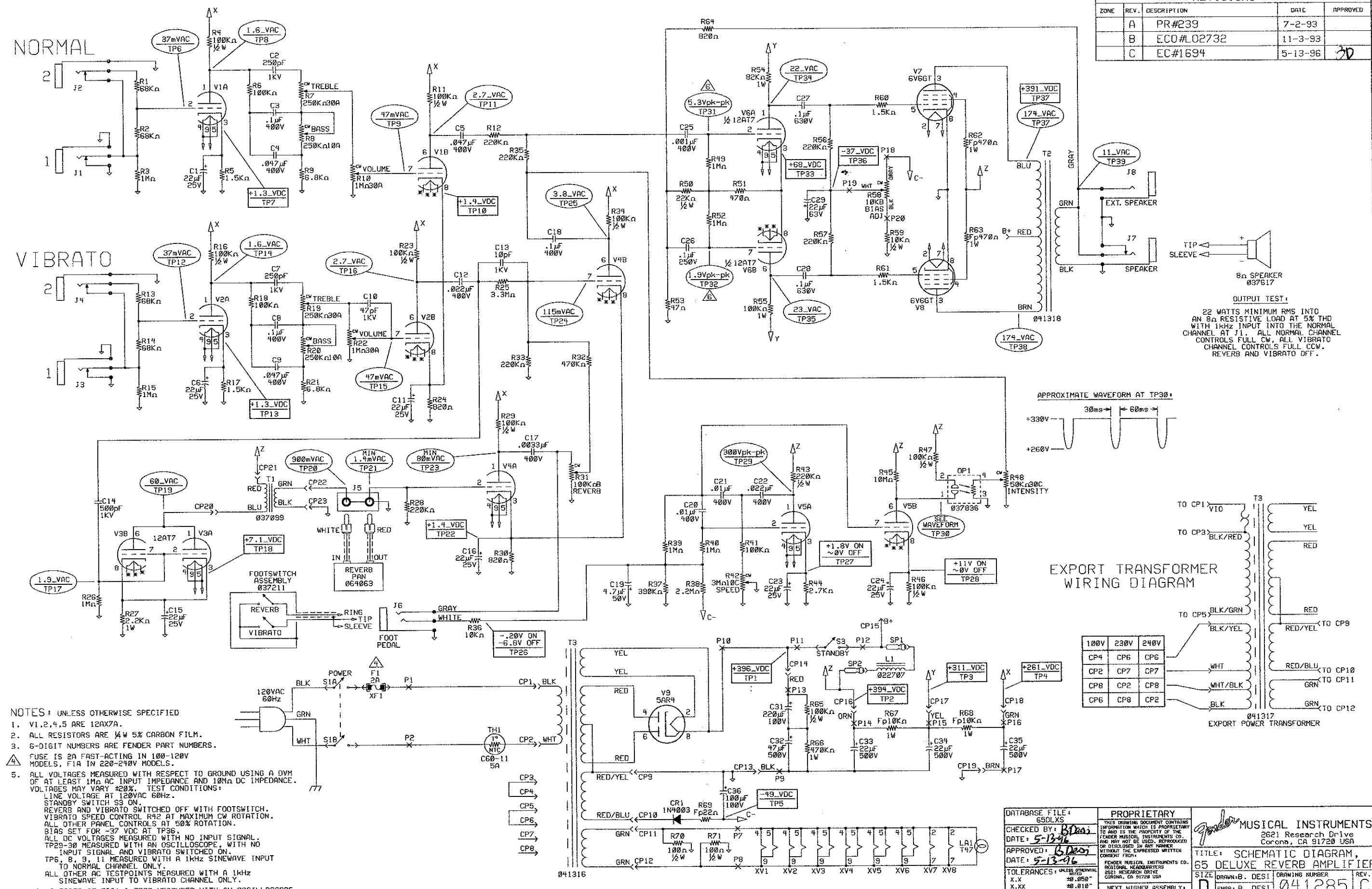
INSTALLED AT P10 — GRAY
 INSTALLED AT P11 — GRAY
 INSTALLED AT P12 — GRAY

FILM/DWG: SERVICE DIAGRAM
DATABASE: 65DLXSER DATE: 07-JUN-96
LAYERS PLOTTED: 1 2 3 4 10
15 19

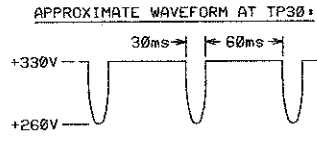
DATABASE FILE: 65DLXSER CHECKED BY: _____ DATE: _____ APPROVED: _____ DATE: _____ TOLERANCES: UNLESS OTHERWISE NOTED X.X ±0.050" X.XX ±0.010" X.XXX ±0.005" ANGLES ±0.500°	PROPRIETARY THIS DRAWING DOCUMENT CONTAINS INFORMATION WHICH IS PROPRIETARY TO AND IS THE PROPERTY OF THE FENDER MUSICAL INSTRUMENTS CO. AND MAY NOT BE USED, REPRODUCED OR DISCLOSED IN ANY MANNER WITHOUT THE EXPRESSED WRITTEN CONSENT FROM: FENDER MUSICAL INSTRUMENTS CO. REGIONAL HEADQUARTERS 2621 RESEARCH DRIVE CORONA, CA 91720 USA NEXT HIGHER ASSEMBLY: 65 DELUXE REVERB GUITAR AMPLIFIER	Fender MUSICAL INSTRUMENTS 2621 Research Drive Corona, CA 91720 USA TITLE: SERVICE DIAGRAM 65 DELUXE REVERB AMPLIFIER SIZE: DRAWN: B. DESI DRAWING NUMBER: 041287 REV: B ENGR: B. DESI CREATED: 02-JUN-93 PLOTTED: 07-JUN-96 SHEET 1 OF 1
---	--	---

REVISIONS

ZONE	REV.	DESCRIPTION	DATE	APPROVED
	A	PR#239	7-2-93	
	B	ECO#L02732	11-3-93	
	C	EC#1694	5-13-96	JD



OUTPUT TEST:
 22 WATTS MINIMUM RMS INTO AN 8Ω RESISTIVE LOAD AT 5% THD WITH 1kHz INPUT INTO THE NORMAL CHANNEL AT J1. ALL NORMAL CHANNEL CONTROLS FULL CW. ALL VIBRATO CHANNEL CONTROLS FULL CCW. REVERB AND VIBRATO OFF.



EXPORT TRANSFORMER WIRING DIAGRAM

100V	230V	240V
CP4	CP6	CP6
CP2	CP7	CP7
CP8	CP2	CP8
CP6	CP8	CP2

EXPORT POWER TRANSFORMER 041317

- NOTES: UNLESS OTHERWISE SPECIFIED
- V1,2,4,5 ARE 12AX7A.
 - ALL RESISTORS ARE 1/4W 5% CARBON FILM.
 - 6-DIGIT NUMBERS ARE FENDER PART NUMBERS.
 - FUSE IS 2A FAST-ACTING IN 100-120V MODELS, F1A IN 220-240V MODELS.
 - ALL VOLTAGES MEASURED WITH RESPECT TO GROUND USING A DVM OF AT LEAST 1MΩ AC INPUT IMPEDANCE AND 10MΩ DC IMPEDANCE. VOLTAGES MAY VARY ±20%. TEST CONDITIONS:
 LINE VOLTAGE AT 120VAC 60Hz.
 STANDBY SWITCH S3 ON.
 REVERB AND VIBRATO SWITCHED OFF WITH FOOTSWITCH.
 VIBRATO SPEED CONTROL R42 AT MAXIMUM CW ROTATION.
 ALL OTHER PANEL CONTROLS AT 50% ROTATION.
 S1AS SET FOR -37 VDC AT TP36.
 ALL DC VOLTAGES MEASURED WITH NO INPUT SIGNAL.
 TP29-30 MEASURED WITH AN OSCILLOSCOPE, WITH NO INPUT SIGNAL AND VIBRATO SWITCHED ON.
 TP6, 8, 9, 11 MEASURED WITH A 1kHz SINEWAVE INPUT TO NORMAL CHANNEL ONLY.
 ALL OTHER AC TESTPOINTS MEASURED WITH A 1kHz SINEWAVE INPUT TO VIBRATO CHANNEL ONLY.
- AC VOLTAGES AT TP31 & TP32 MEASURED WITH AN OSCILLOSCOPE USING A X10 PROBE.
7. LAST INSTANCES: C36 CP23 CR1 F1 J8 L1 LA1 OP1 P20 R71 S3 SP2 T3 TH1 TP39 V9 XF1 XV8

DATABASE FILE: 65DLXS

CHECKED BY: B. Dea

DATE: 5-13-96

APPROVED: B. Dea

DATE: 5-13-96

TOLERANCES: UNLESS OTHERWISE SPECIFIED:
 X.X ±.050"
 X.XX ±.018"
 X.XXX ±.005"
 ANGLES ±.500°

PROPRIETARY
 THIS DRAWING DOCUMENT CONTAINS INFORMATION WHICH IS PROPRIETARY TO AND IS THE PROPERTY OF THE FENDER MUSICAL INSTRUMENTS CO. AND MAY NOT BE USED, REPRODUCED OR DISCLOSED IN ANY MANNER WITHOUT THE EXPRESSED WRITTEN CONSENT FROM:
 FENDER MUSICAL INSTRUMENTS CO.
 2621 RESEARCH DRIVE
 CORONA, CA 91728 USA

MUSICAL INSTRUMENTS
 2621 Research Drive
 Corona, CA 91720 USA

TITLE: SCHEMATIC DIAGRAM,
 65 DELUXE REVERB AMPLIFIER

SIZE: DRAWN: B. DESI
 ENGR: B. DESI

REV. 041285 C

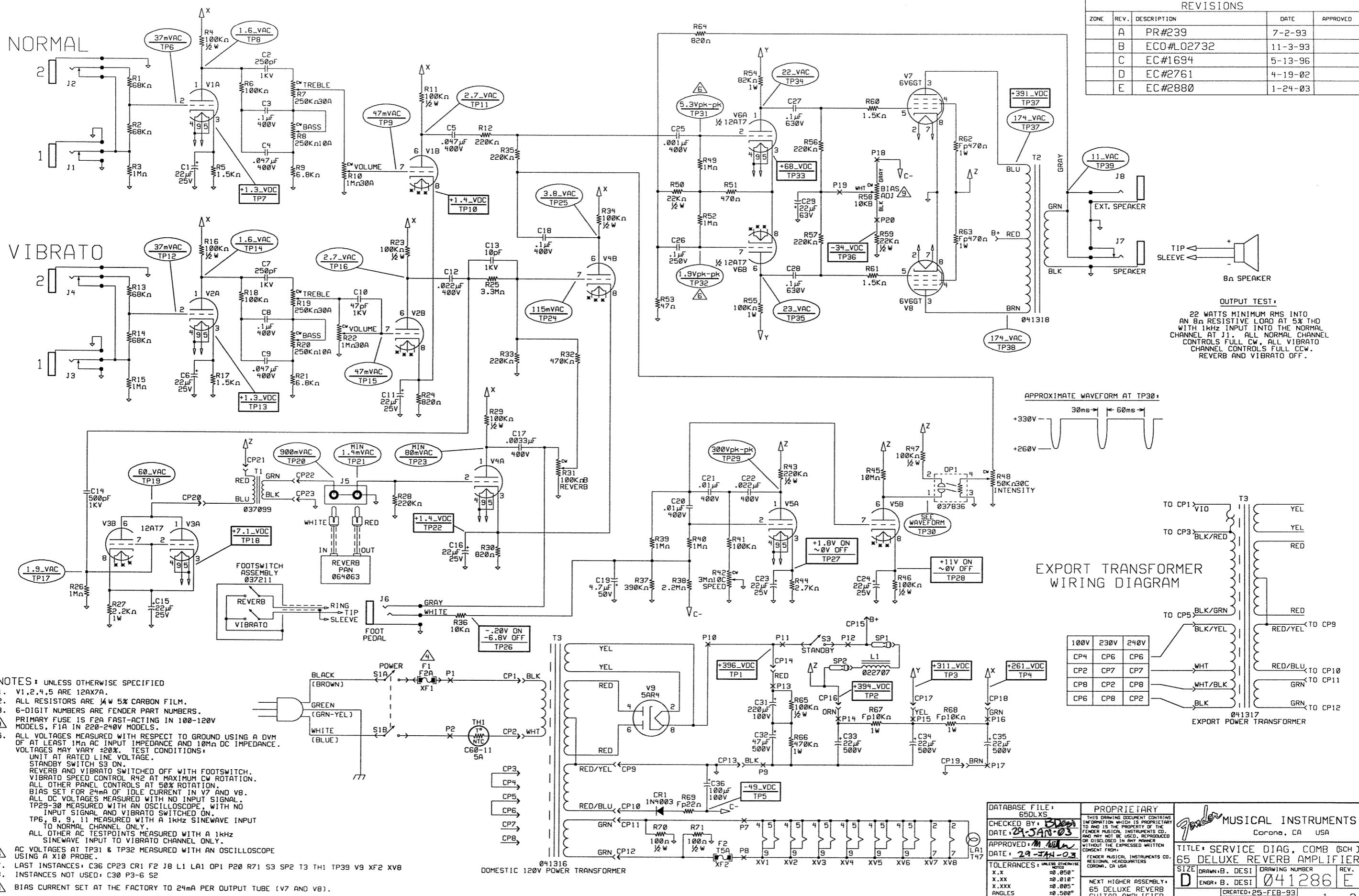
NEXT HIGHER ASSEMBLY:
 65 DELUXE REVERB
 GUITAR AMPLIFIER

SCALE: CREATED: 25-FEB-93
 PLOTTED: 13-MAY-96

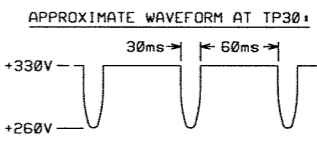
SHEET 1 OF 1

SHEET 0041286000 1 OF 1

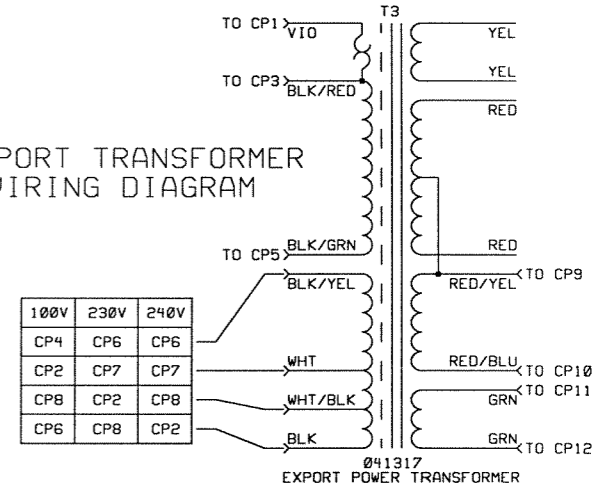
REVISIONS				
ZONE	REV.	DESCRIPTION	DATE	APPROVED
	A	PR#239	7-2-93	
	B	ECO#L02732	11-3-93	
	C	EC#1694	5-13-96	
	D	EC#2761	4-19-02	
	E	EC#2880	1-24-03	



OUTPUT TEST:
 22 WATTS MINIMUM RMS INTO AN 8Ω RESISTIVE LOAD AT 5% THD WITH 1kHz INPUT INTO THE NORMAL CHANNEL AT J1. ALL NORMAL CHANNEL CONTROLS FULL CW. ALL VIBRATO CHANNEL CONTROLS FULL CCW. REVERB AND VIBRATO OFF.



EXPORT TRANSFORMER WIRING DIAGRAM



- NOTES:** UNLESS OTHERWISE SPECIFIED
- V1,2,4,5 ARE 12AX7A.
 - ALL RESISTORS ARE 1/4W 5% CARBON FILM.
 - 6-DIGIT NUMBERS ARE FENDER PART NUMBERS.
 - PRIMARY FUSE IS F2A FAST-ACTING IN 100-120V MODELS, F1A IN 220-240V MODELS.
 - ALL VOLTAGES MEASURED WITH RESPECT TO GROUND USING A DVM OF AT LEAST 1MΩ AC INPUT IMPEDANCE AND 10MΩ DC IMPEDANCE. VOLTAGES MAY VARY ±20%, TEST CONDITIONS: UNIT AT RATED LINE VOLTAGE, STANDBY SWITCH S3 ON, REVERB AND VIBRATO SWITCHED OFF WITH FOOTSWITCH, VIBRATO SPEED CONTROL R42 AT MAXIMUM CW ROTATION, ALL OTHER PANEL CONTROLS AT 50% ROTATION. ALL OTHER DC VOLTAGES MEASURED WITH NO INPUT SIGNAL. TP29-30 MEASURED WITH AN OSCILLOSCOPE, WITH NO INPUT SIGNAL AND VIBRATO SWITCHED ON. TP6, 8, 9, 11 MEASURED WITH A 1kHz SINEWAVE INPUT TO NORMAL CHANNEL ONLY. ALL OTHER AC TESTPOINTS MEASURED WITH A 1kHz SINEWAVE INPUT TO VIBRATO CHANNEL ONLY.
 - AC VOLTAGES AT TP31 & TP32 MEASURED WITH AN OSCILLOSCOPE USING A X10 PROBE.
 - LAST INSTANCES: C36 CP23 CR1 F2 J8 L1 LA1 OP1 P20 R71 S3 SP2 T3 TH1 TP39 V9 XF2 XV8
 - INSTANCES NOT USED: C30 P3-6 S2
 - BIAS CURRENT SET AT THE FACTORY TO 24mA PER OUTPUT TUBE (V7 AND V8).

DATABASE FILE: 65DLXS CHECKED BY: <i>[Signature]</i> DATE: 29-JAN-03 APPROVED: <i>[Signature]</i> DATE: 29-JAN-03 TOLERANCES: UNLESS OTHERWISE NOTED X.XX ±0.050" X.X ±0.010" X.XXX ±0.005" ANGLES ±0.500°	PROPRIETARY THIS DRAWING DOCUMENT CONTAINS INFORMATION WHICH IS PROPRIETARY TO AND IS THE PROPERTY OF THE FENDER MUSICAL INSTRUMENTS CO. AND MAY NOT BE USED, REPRODUCED OR DISCLOSED IN ANY MANNER WITHOUT THE EXPRESS WRITTEN CONSENT FROM: FENDER MUSICAL INSTRUMENTS CO. REGIONAL HEADQUARTERS CORONA, CA USA NEXT HIGHER ASSEMBLY: 65 DELUXE REVERB GUITAR AMPLIFIER	Fender MUSICAL INSTRUMENTS Corona, CA USA TITLE: SERVICE DIAG. COMB (SCH) 65 DELUXE REVERB AMPLIFIER SIZE: DRAWN: B. DESI DRAWING NUMBER: REV. ENGR: B. DESI 041286 E CREATED: 25-FEB-93 PLOTTED: 24-JAN-03 SHEET 1 OF 2
--	--	--

8

7

6

5

4

3

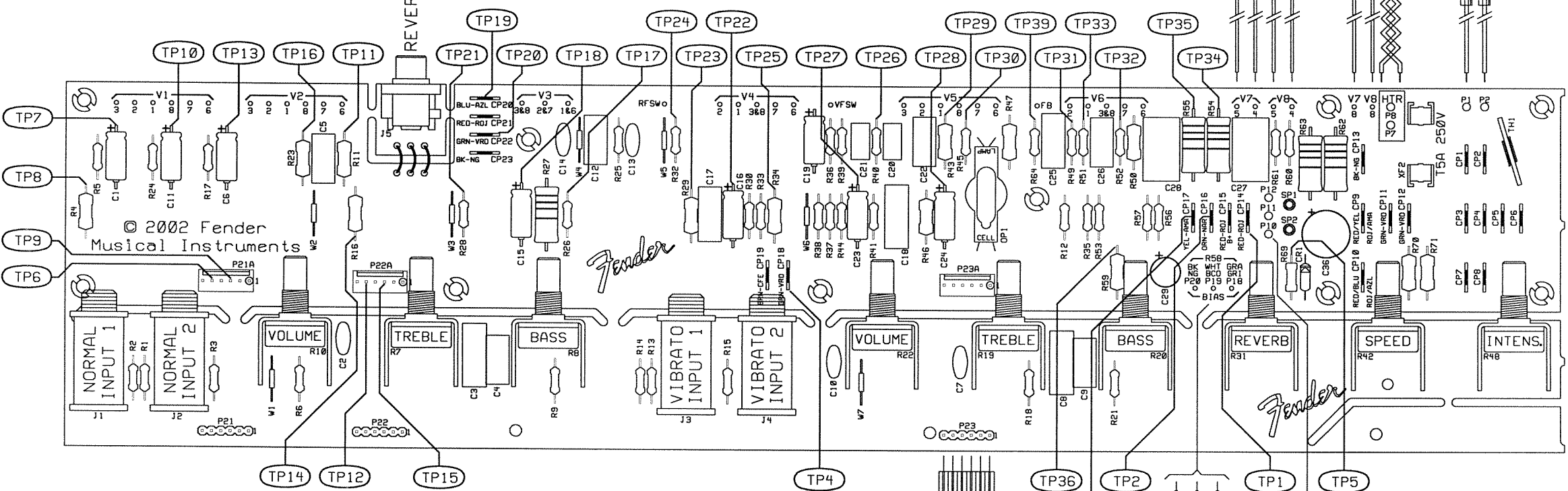
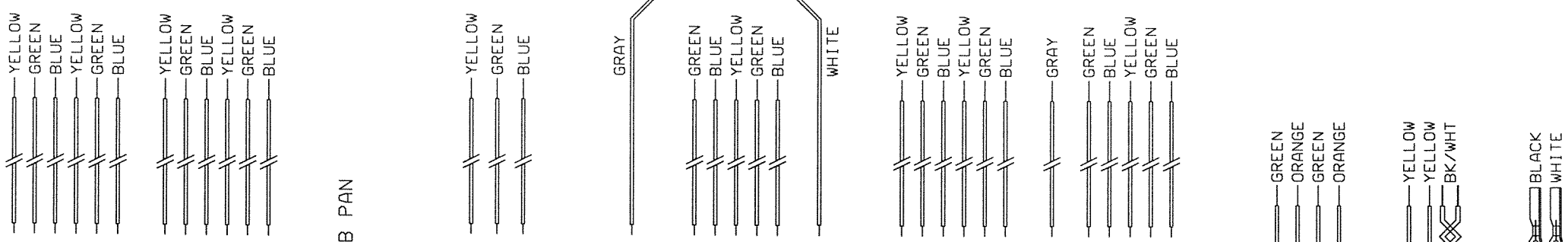
2

1

REVISIONS

ZONE	REV.	DESCRIPTION	DATE	APPROVED
	D	EC#2761	4-19-02	
	E	EC#2880	1-24-03	

FOOTSWITCH JACK — TP37 — V7 PIN 3 BLUE LEAD — TP38 — V8 PIN 3 BROWN LEAD



© 2002 Fender Musical Instruments

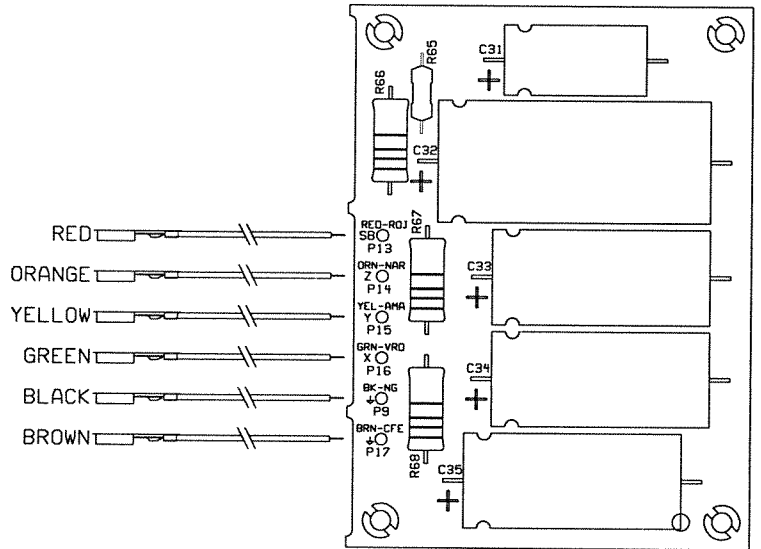
Fender

Fender

PCB SHOWN AS FABRICATED, EXCEPT WITH CAPACITOR BREAK-AWAY BOARD SEPARATED

FLEX CABLE INSTALLED AT P21, P22 AND P23 (3 PLACES)

INSTALLED AT P10 — GRAY
 INSTALLED AT P11 — GRAY
 INSTALLED AT P12 — GRAY



FILM/DWG: SERVICE DIAGRAM	
DATABASE: 65DLXSER	DATE: 24-JAN-03
LAYERS PLOTTED: 1 2 3 4	10
15	19

DATABASE FILE: 65DLXSER CHECKED BY: <i>[Signature]</i> DATE: 29-JAN-03 APPROVED: <i>[Signature]</i> DATE: 29-JAN-03 TOLERANCES: UNLESS OTHERWISE NOTED X.X ±0.050" X.XX ±0.010" X.XXX ±0.005" ANGLES ±0.500°	PROPRIETARY THIS DRAWING DOCUMENT CONTAINS INFORMATION WHICH IS PROPRIETARY TO AND IS THE PROPERTY OF THE FENDER MUSICAL INSTRUMENTS CO. AND MAY NOT BE USED, REPRODUCED OR DISCLOSED IN ANY MANNER WITHOUT THE EXPRESSED WRITTEN CONSENT FROM: FENDER MUSICAL INSTRUMENTS CO. REGIONAL HEADQUARTERS CORONA, CA USA NEXT HIGHER ASSEMBLY: 65 DELUXE REVERB GUITAR AMPLIFIER	MUSICAL INSTRUMENTS Corona, CA USA TITLE: SERVICE DIAG, COMB (PCB) 65 DELUXE REVERB AMPLIFIER SIZE: B DRAWN: B. DESI ENGR: B. DESI DRAWING NUMBER: 041286 REV: E CREATED: 02-JUN-93 PLOTTED: 24-JAN-03 SHEET 2 OF 2
---	---	---

8

7

6

5

4

3

2

1