

Rumble Series Bass Amps

(non - servicable)

0057945000	CORNER, PLASTIC, RUMBLE 60/100	0072766000	IEC Connector, Rumble 15
0062760000	CORNER, PLASTIC, RUMBLE 15/25	0072767000	IEC Connector, Rumble 25, 60, 100
0062761000	SPEAKER, 8", RUMBLE 15		
0062762000	SPEAKER, 10", RUMBLE 25		
0062763000	SPEAKER, 12", 8 OHM, RUMBLE 60		
0062764000	SPEAKER, 15", 4 OHM, RUMBLE 100		
0062765000	JACK, ASSY, PHONE, RUMBLE (STEREO)		
0062766000	JACK, ASSY, PHONE, RUMBLE (MONO)		
0062767000	CONTROL, 10K, RUMBLE		
0062768000	CONTROL, 50K, W/DETENT, RUMBLE		
0062769000	CONTROL, 50K, RUMBLE		
0062770000	CONTROL, 10K, W/DETENT, RUMBLE		
0062771000	KNOB, RUMBLE SERIES		
0062772000	HANDLE, RUMBLE 15/25		
0062774000	HANDLE, RUMBLE 60/100		
0062775000	BRACKET,HANDLE, RUMBLE 15		
0062776000	BRACKET,HANDLE, RUMBLE 25/60/100		
0069960000	POWER SWITCH, RUMBLE SERIES		
0070225000	CASTER SWIVEL BASSMAN SERIES (for Rumble 100)		

Rumble 100 Horn - 0049260000 HORN PIEZO

Vol for Rumble 15/25, L/O for Rumble 100

Low, Mid, High for Rumble 15/25

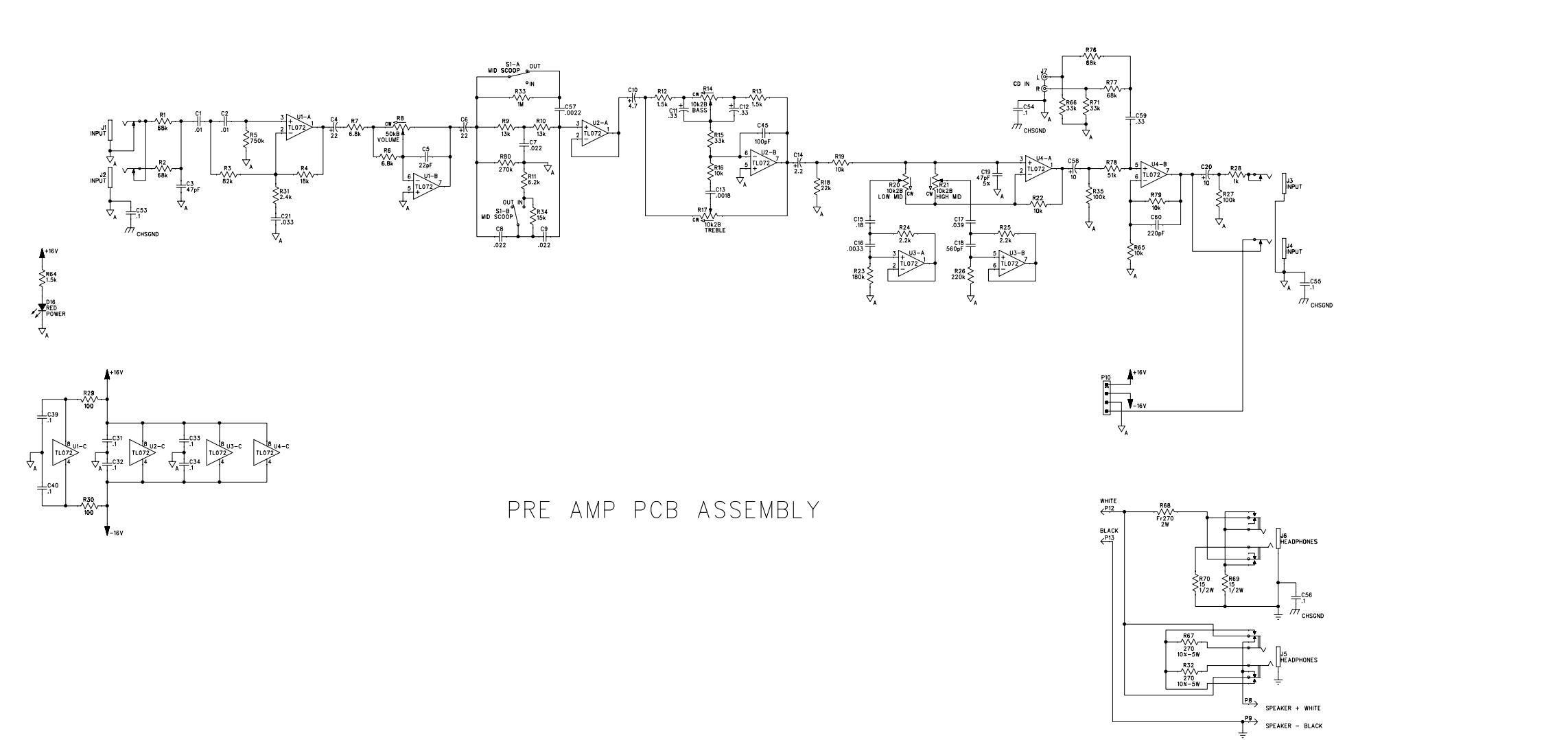
Volume for Rumble 60/100

Bass, Trebl, Low-Mid, High-Mid for Rumble 60/100



8 7 6 5 4 3 2 1

REVISIONS			
REV.	DESCRIPTION	DATE	APPROVED
A	PR 586	29-MAY-03	dBL



PRE AMP PCB ASSEMBLY

6. AC AND DC VOLTAGES READ TO GROUND WITH A DVM UNDER THE FOLLOWING CONDITIONS:
 UNIT: RAT RATED LINE VOLTAGE
 8ohm RESISTIVE LOAD CONNECTED AT P8-P9
 NO INPUT SIGNAL (TPI=4, TPI5)
 VOLTAGES MAY VARY +/-20%
 ALL CONTROLS SET TO 12 O'CLOCK (50% ROTATION)
 10mV, 1kHz SINEWAVE INPUT SIGNAL AT J1
5. THIS SCHEMATIC IS FOR PCB FABRICATION P/N 0059952000 AND PCB ASSEMBLY P/N 0059951000 (DREAMP).
 PCB FABRICATION P/N 0059954000 AND PCB ASSEMBLY P/N 0059955000 (POWER AMP).
4. ALL DIODES ARE 1N4448.
3. ALL POLARIZED CAPACITORS IN uF, 20% 25V MINIMUM. (POWER SUPPLY BYPASS CAPACITORS ARE 20%).
2. ALL UNPOLARIZED CAPACITORS IN uF, 10% OR BETTER, 50V MINIMUM.
1. ALL RESISTORS IN OHMS, 5% 1/4W.
- NOTES: (UNLESS OTHERWISE NOTED)

THIS DOCUMENT CONTAINS INFORMATION OF A PROPRIETARY NATURE TO FENDER MUSICAL INSTRUMENTS AND IS SUBMITTED TO YOU IN CONFIDENCE AND SHALL NOT BE DISCLOSED OR TRANSMITTED TO OTHERS WITHOUT AUTHORIZATION FROM FENDER MUSICAL INSTRUMENTS.

Fender MUSICAL INSTRUMENTS
 Corona, CA U.S.A.

CHECKED BY: _____
 DATE: _____

APPROVED BY: _____
 DATE: _____

DRAWN: EM/dBL ENGR: MJ/dBL
 DATABASE FILE: Z5861.SCH

TITLE: SERVICE DIAGRAM, COMBINED (schematic)
 RUMBLE 60
 BASS AMPLIFIER

SIZE	DRAWING NUMBER	REV.
D	0059955000	A

RELEASE DATE: 29-MAY-03 SHEET: 1 OF 4

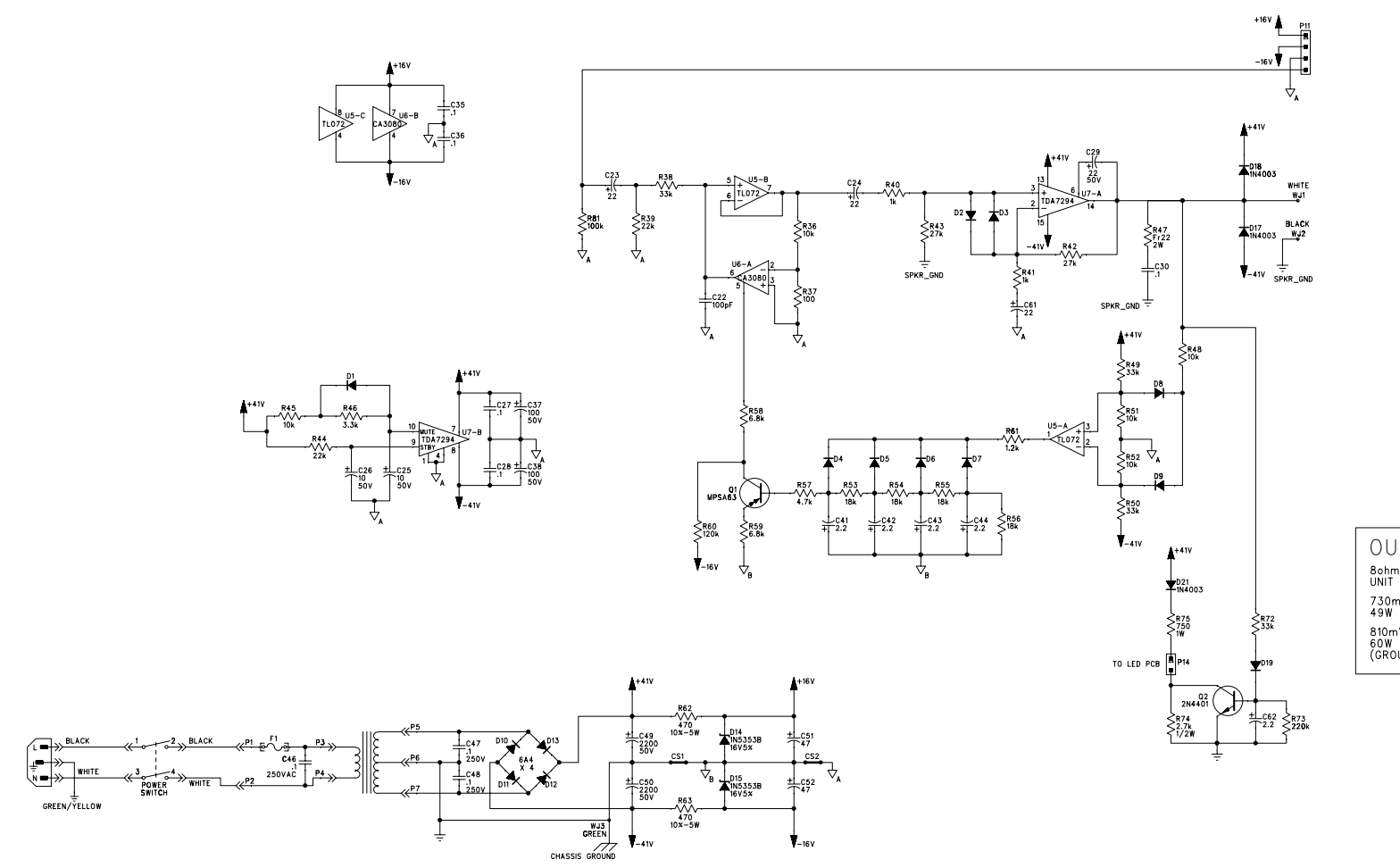
8 7 6 5 4 3 2 1

8 7 6 5 4 3 2 1

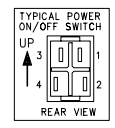
REVISIONS			
REV.	DESCRIPTION	DATE	APPROVED
A	PR 586	20-JUN-03	dBL

D
C
B
A

D
C
B
A



OUTPUT TEST:
 8ohm RESISTIVE LOAD AT P8-P9,
 UNIT AT RATED LINE VOLTAGE
 730mV, 1kHz SINEWAVE INPUT AT J4,
 49W (19.8Vrms) AT <0.1% THD
 810mV, 1kHz SINEWAVE INPUT AT J4,
 60W (21.9Vrms) AT <5% THD
 (GROUND JUNCTION OF R46-D8)



POWER AMP PCB ASSEMBLY

6. AC AND DC VOLTAGES READ TO GROUND WITH A DVM UNDER THE FOLLOWING CONDITIONS:
 UNIT AT RATED LINE VOLTAGE
 8ohm RESISTIVE LOAD CONNECTED AT P8-P9
 NO INPUT SIGNAL (TP1-E, TP1S)
 VOLTAGES MAY VARY +/-20%
 ALL CONTROLS SET TO 12 O'CLOCK (50K ROTATION)
 10mV, 1kHz SINEWAVE INPUT SIGNAL AT J1
5. THIS SCHEMATIC IS FOR PCB FABRICATION P/N 0059952000 AND PCB ASSEMBLY P/N 005995000 (DREAMP), PCB FABRICATION P/N 0059954000 AND PCB ASSEMBLY P/N 0059955000 (POWER AMP). ALL DIMENSIONS ARE IN MILLIMETERS.
4. ALL DIODES ARE 1N4448.
3. ALL POLARIZED CAPACITORS IN uF, 20% 25V MINIMUM. (POWER SUPPLY BYPASS CAPACITORS ARE 20%).
2. ALL UNPOLARIZED CAPACITORS IN uF, 10% OR BETTER; 50V MINIMUM.
1. ALL RESISTORS IN OHMS, 5% 1/4W.
- NOTES: (UNLESS OTHERWISE NOTED)

THIS DOCUMENT CONTAINS INFORMATION OF A PROPRIETARY NATURE TO FENDER MUSICAL INSTRUMENTS AND IS SUBMITTED TO YOU IN CONFIDENCE AND SHALL NOT BE DISCLOSED OR TRANSMITTED TO OTHERS WITHOUT AUTHORIZATION FROM FENDER MUSICAL INSTRUMENTS.		MUSICAL INSTRUMENTS Corona, CA U.S.A.	
CHECKED BY:	DATE:	TITLE: SERVICE DIAGRAM, COMBINED (schematic) RUMBLE 60 BASS AMPLIFIER	
APPROVED BY:	DATE:	SIZE	REV.
DRAWN: EM/dBL	ENGR: MJ/dBL	DRAWING NUMBER	A
DATABASE FILE: Z58652.SCH	RELEASE DATE: 20-JUN-03	0059955000	SHEET: 2 OF 4

8 7 6 5 4 3 2 1