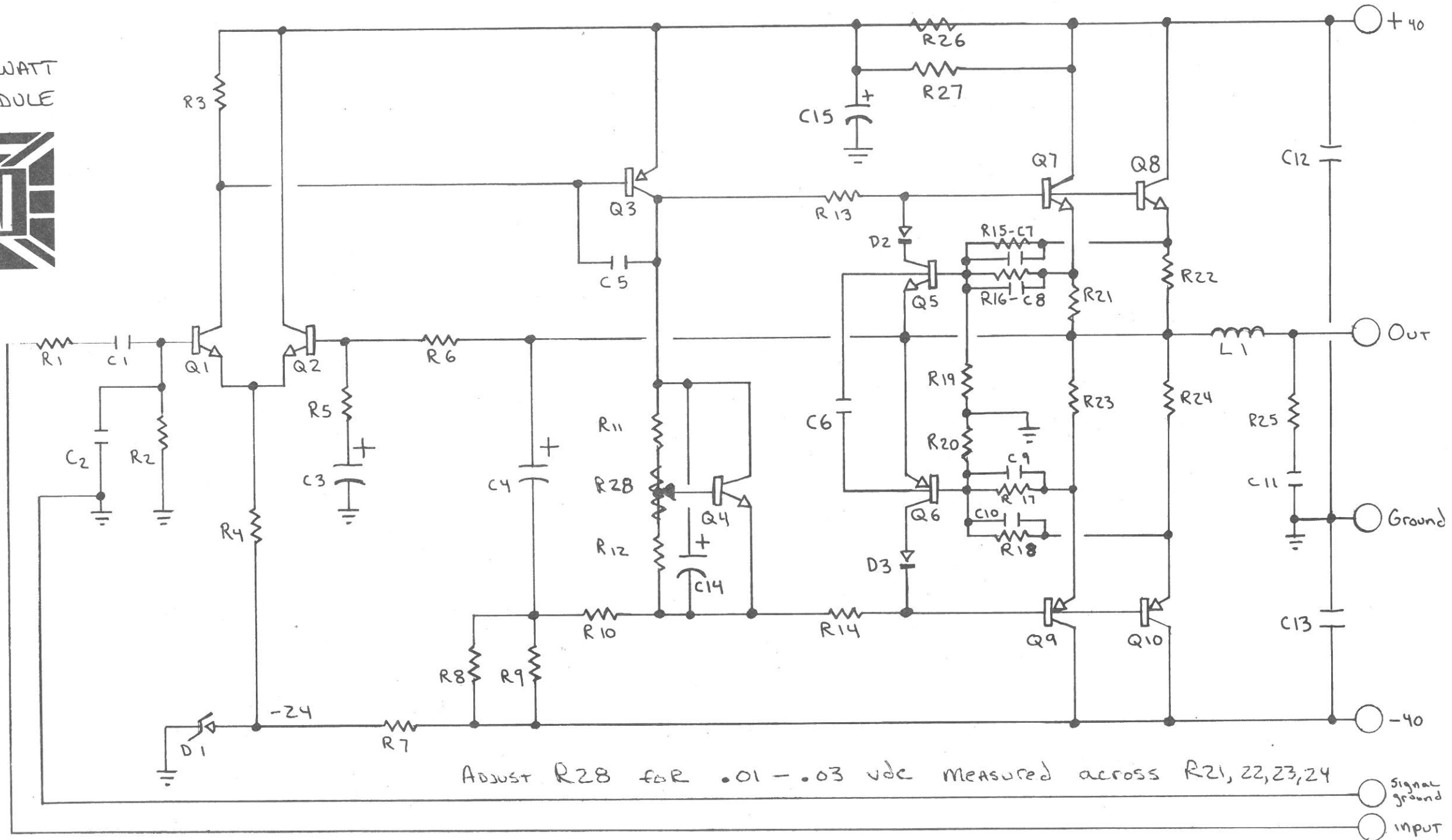
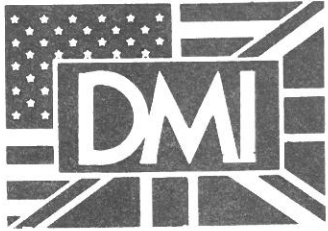


SMF 150-WATT
POWER MODULE



ADJUST R28 FOR .01 - .03 vdc MEASURED ACROSS R21, 22, 23, 24

Signal ground
input