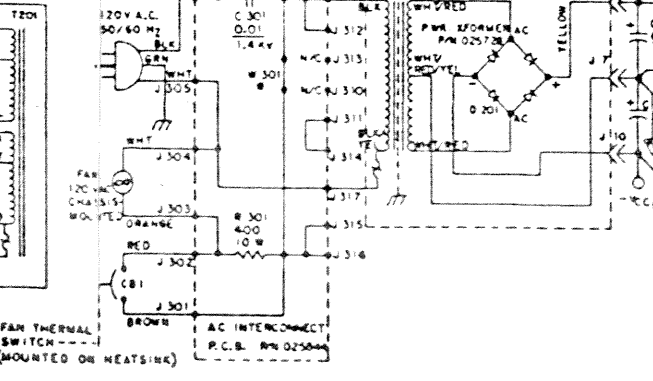


REPORT TRANSFORMER CONNECTION				
TRANSFORMER LEAD	100 V	120 V	220 V	240 V
1 (BLACK)	J 310	J 309	J 310	J 309
2 (WHITE)	J 309	J 310	J 309	J 310
3 (BLK/YEL)	J 311	J 311	J 315	J 315
4 (BLK/GRN)	J 316	J 317	J 316	J 316
5 (BLK/WH)	J 312	J 313	J 313	J 313
6 (BLK/RED)	J 314	J 314	J 314	J 314
7 (WH/BLUE)	J 317	J 317	J 317	J 317

- 8. R40, R40, R122, R123 ARE CARBON COMPOSITION.
- 7. SELECTED FOR $V_{CE} = 175V$
- 6. ADJUST BIAS CONTROL TO OBTAIN 10 \pm 2mV DC FROM Q45 EMITTER TO Q37 EMITTER FOR CH. A, AND FROM Q54 EMITTER TO Q51 EMITTER FOR CH. B. ADJUST WITH NO LOAD CONNECTED AND A COOL HEATSINK
- 5. ALL SIGNAL DIODES ARE 1N4448
- 4. MAIN BOARD IS P/N 025396
- 3. DESIGNATOR NUMBERS D37, D38, D39 & D40 ARE NOT USED.
- 2. ALL CAPACITOR VALUES ARE IN MICROFARADS
- 1. ALL FIXED RESISTOR VALUES ARE IN OHMS, $1/4W$, 2% UNLESS OTHERWISE SPECIFIED

NOTES: UNLESS OTHERWISE SPECIFIED



LIST OF MATERIALS		
QTY	PART NO.	DESCRIPTION
1	025396	MAIN BOARD
1	025397	POWER SUPPLY BOARD
1	025398	CHASSIS MOUNTED COMPONENTS
1	025399	FAN THERMAL SWITCH

REV	DESCRIPTION	DATE
1	RELEASED	
2		
3		
4		
5		
6		
7		
8		

SCHEMATIC 2235 AND SPL 7000 POWER AMPS
10-8-65
025398