

SRM 6302/8302

SRM 6302 p/n 071-6321-000 (120V)
SRM 8302 p/n 071-8321-000 (120V)

SERVICE MANUAL

SRM 6302/8302

(These are the model names for warranty claims)

APRIL 1997

IMPORTANT NOTICE:

The information contained herein is CONFIDENTIAL and PROPRIETARY to Fender Musical Instruments Corp. It is disclosed solely for use by qualified technicians for purposes of equipment maintenance and service. It is not to be disclosed to others without the expressed permission of Fender Musical Instruments Co. All specifications subject to change without notice.

For warranty repair service, only Fender specified part numbers are to be used. It is recommended they also be used for post-warranty maintenance and repair.

Parts marked with an asterisk (*) indicate the required use of that specific part. This is necessary for RELIABILITY and SAFETY requirements. **DO NOT USE A SUBSTITUTE!**

A coded naming convention is used in the description of certain parts. The codes and what they mean are as follows:

CAPACITOR CODES

CAP AE = Aluminum Electrolytic
 CAP CA = Ceramic Axial
 CAP CD = Ceramic Disk
 CAP MPF = Metalized Polyester Film
 CAP MY = Mylar
 CAP PFF = Polyester Film/Foil

HARDWARE CODES

BLX = Black Oxide
 CR = Chrome Plated
 HWH = Hex Washer Head
 M = Machine Screw
 NI = Nickel Plated
 OHP = Oval Head Phillips
 PB = Particle Board
 PHP = Pan Head Phillips
 PHPS = Pan Head Phillips Sems

RESISTOR CODES



CONTENTS:

- Notices
- Specifications
- Parts lists:
 - Preamp PCB
 - Pwramp PCB
 - Cabinet assembly
 - Miscellaneous
- Schematics
- Service diagrams
- Assembly diagrams

RES CC = Carbon Comp
 RES CF = Carbon Film
 RES FP = Flame Proof
 RES MF = Metal Film
 RES WW = Wire Wound

SMA = Sheet Metal "A" Point
 SMB = Sheet Metal "B" Point
 SS = Stainless Steel
 TF = Thread Forming
 ZI = Zinc Plated

SPECIFICATIONS

Product Release No.: PR 332 *(This is not a model number)*

□
Part Number: 120V Version: 71-6321(8321)-000
 240V Aust: 71-6321(8321)-030
 230V UK: 71-6321(8321)-040
 230V Euro: 71-6321(8321)-060

Power Specification: 120V Version: 120 V AC, 60 Hz, 900 W
 230V Version: 230 V AC, 50 Hz, 900 W
 240V Version: 240 V AC, 50 Hz, 900 W

Preamp Section:
 Mic Input Impedance 1.8 kΩ
 Line Input Impedance 18.2 kΩ
 Mic Input Sensitivity 7 mV
 Line Input Sensitivity 65 mV
 Phantom Power 46.5 Vdc
 Graphic Equalizer +/- 12 dB @ 63, 125, 250, 500 Hz, 1, 2, 4, 8, and 16 kHz
 Channel EQ Controls Low +/- 15 dB @ 30 Hz
 Mid +/- 15 dB @ 750 Hz
 High +/- 15 dB @ 15 kHz
 Overall Amplifier Frequency Response -3 dB @ 10 Hz to -3 dB @ 50 kHz
 (Line In @ 10 mV)

PwrAmp Section:
 Power Output 2 x 150 W
 Rated Load Impedance 4 Ω
 Distortion @ 150 W less than .05% @ 1 kHz into 4 Ω
 Input Sensitivity 1.25 V rms
 Input Impedance 22 kΩ
 Deltacomp™ Range 20 dB

Dimensions:
 Height: 12" (30.5 cm)
 Width: 21" (59.7 cm)
 Depth: 11.75" (29.8 cm)
 Weight: 35.25 lbs (16 kg) [SRM 8302 = 35.75 lbs (16.2 kg)]

Product specifications are subject to change without notice

PARTS LIST

NOTE: SHADED ITEMS ARE FOR REFERENCE ONLY

PREAMP PRINTED CIRCUIT BOARD***

QTY***	PART#	DESCRIPTION	REFERENCE	DESIGNATION
1	028577	CABLE REVERB 30"		
1	051410	CABLE RIBBON 8 CKT 16 in	P1	
1	028476	CAP AE RDL 100UF 50V 20%	C90	
14	028459	CAP AE RDL 2.2UF 50V 20%	C3 C9 C155-156 C255-256 C355-356 C455-456 C555-556 C655-656	
57	028467	CAP AE RDL 22UF 50V 20%	C1 C4 C6 C11 C13-14 C16 C18-19 C21 C23 C25-26 C28-30 C32 C35 C38 C41 C44 C47 C50 C53 C56 C59-60 C159-160 C162 C166-167 C259-260 C262 C266-267 C359-360 C362 C366-367 C459-460 C462 C466-467 C559-560 C562 C566-567 C659-660 C662 C666-667 C153-154 C253-254 C353-354 C453-454 C553-554 C653-654	
12	047195	CAP AE RDL 47UF 63V 20%	C62-85 C168-171 C268-271 C368-371 C468-471 C568-571 C668-671	
48	047198	CAP CD .1M	C5 C22 C24 C27 C151-152 C157-158 C251-252 C257-258 C351-352 C357-358 C451-452 C457-458 C551-552 C557-558 C651-652 C657-658	
28	051405	CAP CD 120PF 500V 5%	C2 C10 C12 C15 C17 C20 C86 C161 C163 C261 C263 C361 C363 C461 C463 C561 C563 C661 C663 C165 C265 C365 C465 C565 C665 C33-34 C36-37 C39-40	
19	051445	CAP CD 22PF 500V 5%	C8 C51-52 C54-55 C57-58 C164 C264 C364 C464 C564 C664 C31 C61 C7 C42-43 C45-46 C48-49 R61 R66 R71 R76 R81 R86 R91 R96 R101 R160 R163 R260 R263 R360 R363 R460 R463 R560 R563 R660 R663 R5 R19-20 R31-32 R47 R115-116 R172 R272 R372 R472 R572 R672	
6	051407	CAP CD 390PF 500V 5%	R168-170 R268-270 R368-370 R468-470 R568-570 R668-670	
6	027280	CAP MPF .15UF 63V	U1-12 U151-152 U251-252 U351-352 U451-452 U551-552 U651-652	
1	030936	CAP PFF RDL .0022UF 50V 5%	J1-5 J7	
6	030937	CAP PFF RDL .0027UF 50V 5%	J152 J252 J352 J452 J552 J652	
6	030943	CAP PFF RDL .0068UF 50V 5%		
2	030945	CAP PFF RDL .01UF 50V 5%		
7	030950	CAP PFF RDL .022UF 50V 5%		
9	050514	CONTROL SLIDE 30MM 50KW		
12	050818	CONTROL VERT 50K 10C		
14	041806	CONTROL VERT 50K B		
18	041082	CONTROL VERT 50K B W/DETENT		
24	051198	IC DUAL OPAMP BA4560N SIP		
6	051006	JACK 1/4 PCB DUAL TIP MONO		
6	051007	JACK 1/4 PCB STEREO W/SWITCH		

PARTS LIST

PREAMP PRINTED CIRCUIT BOARD*** CONTINUED

QTY***	PART#	DESCRIPTION	REFERENCE	DESIGNATION
1	049295	JACK RCA QUAD VERT PC MOUNT	J6	
100	020888	JUMPER WIRE 22 GA		
1	028039	LED RED 5x5mm SLB-55VR3	D1	
1	050799	PCB PREAMP SRM6302		
1	024967	RES CF 1/4W 5% 1.2K	R53	
1	024969	RES CF 1/4W 5% 1.5K	R121	
3	024952	RES CF 1/4W 5% 100 ohm	R14 R40 R46	
24	024997	RES CF 1/4W 5% 100K	R10 R33-34 R39 R45 R113 R161 R164 R167 R261 R264 R267 R361 R364 R367 R461 R464 R467 R561 R564 R567 R661 R664 R667 R6-9 R35-38 R41-44 R48-51 R54-56 R58-59 R106-111 R166 R266 R366 R466 R566 R666 R11 R15 R159 R162 R165 R171 R259 R262 R265 R271 R359 R362 R365 R371 R459 R462 R465 R471 R559 R562 R565 R571 R659 R662 R665 R671 R18 R52 R17 R12 R29-30 R13 R2 R23 R27 R57 R60 R112 R114 R119 R123 R176 R276 R376 R476 R576 R676 R1 R3-4 R16 R21-22 R24-26 R28 R117-118 R120 R173-175 R273-275 R373-375 R473-475 R573-575 R673-675 R74 R83 R90 R98 R105 R68 R7 5 R89 R104 R99 R69 R84 R62 R72 R82 R87 R97 R79 R78 R85 R93 R100 R63 R70 R67 R77 R92 R102	
27	024981	RES CF 1/4W 5% 10K		
6	024999	RES CF 1/4W 5% 150K		
2	024965	RES CF 1/4W 5% 1K		
24	024971	RES CF 1/4W 5% 2.2K		
1	024987	RES CF 1/4W 5% 22K		
1	024975	RES CF 1/4W 5% 3.9K		
1	024959	RES CF 1/4W 5% 330		
3	024989	RES CF 1/4W 5% 33K		
1	024977	RES CF 1/4W 5% 4.7K		
15	024947	RES CF 1/4W 5% 47 ohm		
31	024993	RES CF 1/4W 5% 47K		
1	050807	RES CF 1/6W 5% 1.2K		
4	047235	RES CF 1/6W 5% 15K		
2	041858	RES CF 1/6W 5% 18K		
2	041852	RES CF 1/6W 5% 1K		
1	049083	RES CF 1/6W 5% 2.2K		
1	050809	RES CF 1/6W 5% 2.4K		
1	050808	RES CF 1/6W 5% 2K		
5	041855	RES CF 1/6W 5% 3.3K		
1	050810	RES CF 1/6W 5% 3.9K		
4	047238	RES CF 1/6W 5% 30K		
2	051096	RES CF 1/6W 5% 33K		
4	047237	RES CF 1/6W 5% 3K		

*** Quantities shown are for SRM 6302. Qtys. of some items will be greater in the SRM 8302

PARTS LIST

PREAMP PRINTED CIRCUIT BOARD*** CONTINUED

QTY***	PART#	DESCRIPTION	REFERENCE	DESIGNATION
1	047205	RES CF 1/6W 5% 4.3K	R94	
1	047243	RES CF 1/6W 5% 4.7K	R64	
2	049084	RES CF 1/6W 5% 56K	R80 R95	
1	047247	RES CF 1/6W 5% 68K	R65	
2	047289	RES CF 1/6W 5% 7.5K	R88 R103	
1	050811	RES CF 1/6W 5% 8.2K	R73	
1	041258	RES FILM 2W 5% 2.2K ohm	R122	
12	031819	RES MF 1/4W 1% 1.82K	R153-154 R253-254 R353-354 R453-454 R553-554 R653-654	
24	031818	RES MF 1/4W 1% 18.2K	R155-158 R255-258 R355-358 R455-458 R555-558 R655-658	
12	016961	RES MF 1/4W 1% 6.81K	R151-152 R251-252 R351-352 R451-452 R551-552 R651-652	
10	014172	SCREW M 4-40 1/4 PHP BLX	STANDOFFS	
1	051411	SPACER LED .4X.1 TURQUIOSE	D1	
10	033275	STANDOFF 4-40X5/8 RND AL		
1	050816	SWITCH PB PC VERT MNT 4P2T	S1	
2	050817	SWITCH PB PC VERT MNT DPDT	S2-3	
10	029983	WSHR LCK INTL 4x.260x.015 ZI	STANDOFFS	
6	050573	XLR JACK FEMALE	J151 J251 J351 J451 J551 J651	

POWER AMP PRINTED CIRCUIT BOARD

QTY	PART#	DESCRIPTION	REFERENCE	DESIGNATION
2	028494	CAP AE RDL 1000UF 35V 20%	C5-6	
2	031040	CAP AE RDL 100UF 100V 20%	C23-24	
10	028459	CAP AE RDL 2.2UF 50V 20%	C101 C116-119 C201 C216-219	
3	028482	CAP AE RDL 220UF 50V 20%	C21-22 C27	
3	028467	CAP AE RDL 22UF 50V 20%	C8 C106 C206	
6	028471	CAP AE RDL 47UF 50V 20%	C11-12 C111-112 C211-212	
2	025786	CAP AE RDL 6800UF 80V 20%	C2-3	
2	025787	CAP AE RDL MINI 100UF 16V NP	C108 C208	
3	034788	CAP CD .1UF 50V 20%	C13-14 C28	
2	051185	CAP CD 1KV .01UF 10%	C1 C4	
2	051413	CAP CD 33PF 500V 5%	C120 C220	
2	051414	CAP CD 5PF 500V 5%	C107 C207	
4	051409	CAP CD 68PF 500V 5%	C109-110 C209-210	
4	027261	CAP MPF .0047UF 100V	C113-114 C213-214	
1	047165	CAP MPF .01UF 250V	C7	

PARTS LIST

POWER AMP PRINTED CIRCUIT BOARD CONTINUED

QTY	PART#	DESCRIPTION	REFERENCE	DESIGNATION
1	030960	CAP PFF .1UF 50V 5%	C26	
6	051416	CAP SF .1UF 100V 10%	C115 C121-122 C215 C221-222	
1	039257	CAP CD 120PF 500V 5%	C102 C202	
14	064089	DIODE 1N4003	D5-8 D11-12 D13-16 D119-120 D219-220 D5-8 D13-16	
34	006260	DIODE 1N4448 SIGNAL	D9-10 D17-D18 D103-106 D109 D111-112 D115-116 D121-126 D203-206 D209 D211- 212 D215-216 D221-226	
4	029045	DIODE 6A 400V 6A4 LEAD FORMED	D1-4	
8	025821	DIODE HV FDH-400 SWITCHING	D107-108 D117-118 D207-208 D217-218	
1	009165	DIODE ZEN 1N4744A 15V 1W 5%	D19	
6	027329	DIODE ZEN 1N5228B 3.9V 5%	D113-114 D127 D213-214 D227	
2	031635	DIODE ZEN 1N5240B 10V 5%	D20-21	
10	025802	FSTN TAB MALE .250X.032 PCB MT	CP1-6 CP10-12 CP15	
2	051095	FUSE CLIP PCB 1/4"	(DOM)" F3	
4	051096	FUSE CLIP PCB 5mm	(EXPT) F1-2	
2	013112	FUSE TD 20mmx5mm 250V 1A	F1-2	
1	028330	FUSE QA 1-1/4X1/4 250V 10A	F3	
1	027416	HDR .1 CTR 8 CKT SQ PIN	P1	
7	050849	HEATSINK PCB LEVEL	U1-U2 Q2 Q116-117 Q216-217	
1	050761	HEATSINK PLATE		
2	027404	IC CA3080AE OTA	U102 U202	
2	031611	IC DUAL OPAMP PC4560	U3 U101	
1	013562	IC REGULATOR +15V MC7815CT	U1	
1	013564	IC REGULATOR -15V MC7915CT	U2	
2	027387	INDUCTOR AIR CORE RDL 2.5uH	L101 L201	
8	074211	INSULATOR MICA TO-3 GREASED	Q118-121 Q218-221	
4	051006	JACK 1/4 PCB DUAL TIP MONO	J101-102 J201-202	
44	020888	JUMPER WIRE 22 GA		
16	051158	NUT #6 SMALL PATTERN	Q118-121 Q218-221	
7	097360	NUT HEX 4-40 EX LOCK	U1-U2 Q2 Q116-117 Q216-217	
1	050794	PCB POWER AMP SRM63/83		
4	024969	RES CF 1/4W 5% 1.5K	R130-131 R230-231	
2	024952	RES CF 1/4W 5% 100 OHM	R104 R204	
9	024997	RES CF 1/4W 5% 100K	R110 R151 R153 R168-169 R251 R253 R268-269	
12	024981	RES CF 1/4W 5% 10K	R3 R5 R103 R152 R155 R162 R165 R203 R252	
2	024998	RES CF 1/4W 5% 120K	R255 R262 R265	
2	024985	RES CF 1/4W 5% 15K	R164 R264	
		RES CF 1/4W 5% 1K	R154 R254	
		RES CF 1/4W 5% 2.7K		
		RES CF 1/4W 5% 22K		
		RES CF 1/4W 5% 27K		
		RES CF 1/4W 5% 3.9K		
		RES CF 1/4W 5% 33K		

RES CF 1/4W 5% 4.7K
RES CF 1/4W 5% 47 OHM

RES CF 1/4W 5% 47K

RES CF 1/4W 5% 51K

RES CF 1/4W 5% 68K

RES CF 1/4W 5% 8.2 OHM

RES FILM 1W 5% 10 OHM

RES FILM 1W 5% 4.7K

RES FILM 2W 5% 22 OHM

RES MF FUSE 1/4W 5% 15 OHM

RES MF FUSE 1/4W 5% 22 OHM
RES MF FUSE 1/4W 5% 220 OHM

RES MF FUSE 1/4W 5% 4.7 OHM

RES MF FUSE 1/4W 5% 47 OHM

RES WW 3W 5% .05 OHM

RES WW BT 5W 10% .15 OHM

SCRW M 4-40x3/8 PHP SS SEMS

SCRW M 6-32x3/8 PHP ZI

SCRW TF 6-32x3/8 PHP ZI

THERMAL SENSOR PTC 100 DEG C
XSTR NPN 2N4401 TO-92

XSTR NPN 2SC2362K/2SC2389STPS

XSTR NPN 2SC3298A TOP-220

XSTR NPN MJ21194

XSTR NPN MPSW10 TO-226AE

XSTR PNP 2N4403 TO-92

XSTR PNP 2SA1038STPS

XSTR PNP 2SA1306A TOP-220

XSTR PNP DARLNGTN MPA63 TO-92

XSTR PNP MJ21193

XSTR PNP MPSW92 TO-226AE

PARTS LIST

CABINET ASSEMBLY

QTY	PART#	DESCRIPTION	REFERENCE	DESIGNATION
8	019275	INSERT, GLIDE CUSHION 1.27 DIA		
8	027849	GLIDE, CAB 1.24X.335 BLX WAX		
8	026625	SCREW WOOD 8x1 FH		
1	025884	HANDLE INSERT 7.78"		
2	021972	NUT T 10-32X3/4 STR 3 PRNG BLX		
2	047793	HANDLE CAP 1 HOLE PWDR COAT BLK		
2	017393	SCRW M 10-32X1-1/8 OHP BLX		
1	025883	HANDLE SHORT NO LOGO		
1.5	026570	TOLEX BLACK LT WEIGHT		
8	026576	SCRW SMA 8X5/8 THP BLACK		
8	031867	CORNER 2 HOLE BLACK NOTCH BLK PWD		

MISCELLANEOUS

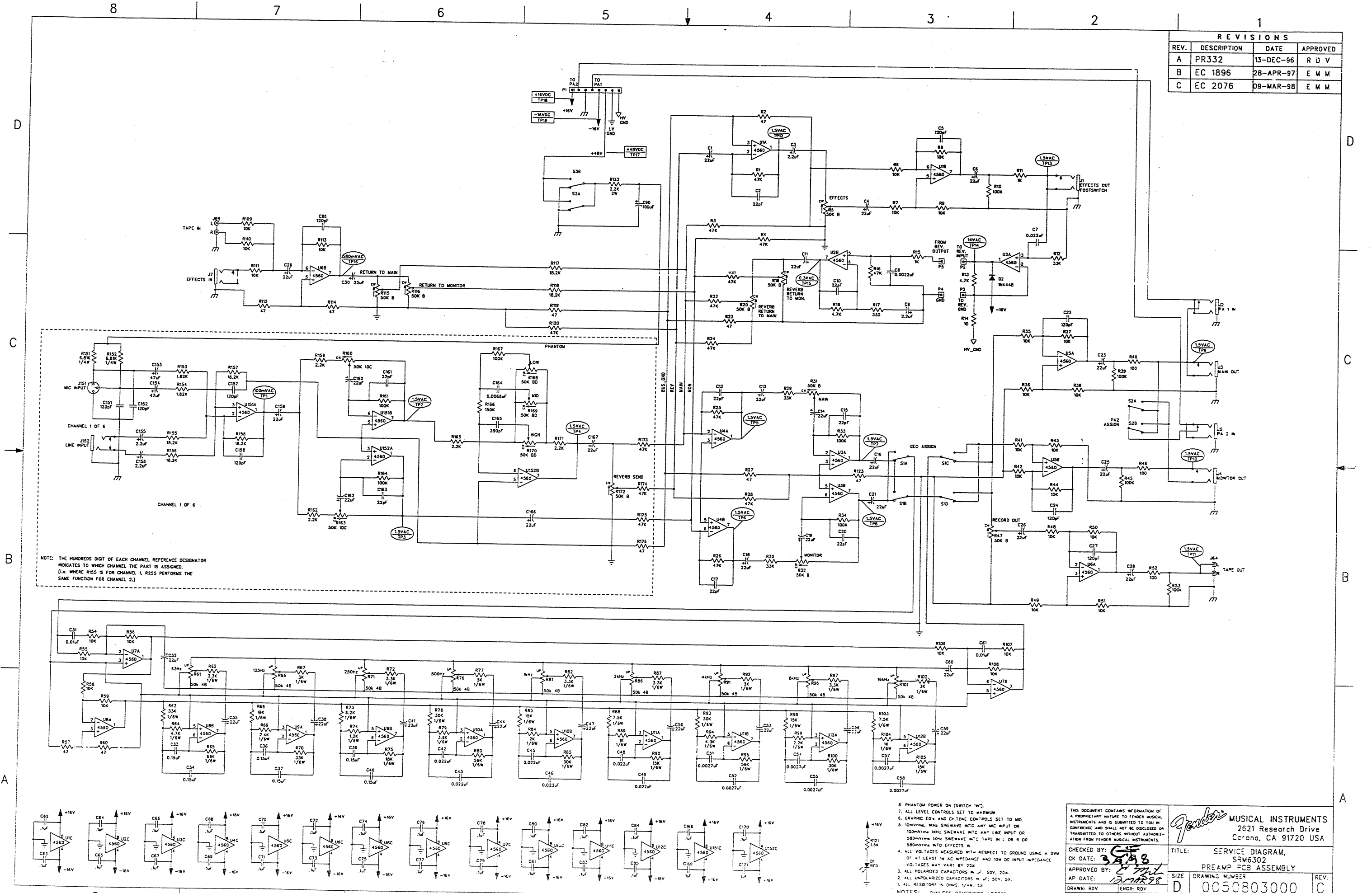
QTY	PART#	DESCRIPTION	REFERENCE	DESIGNATION
1	050742	CAB ASSY SRM63/83		
1	050804	MANUAL OWNERS SRM63/83		
1	050802	PCB ASSY PREAMP SRM6302		
7	041833	KNOB CTL CUSTOM DBL GRY/WHT	CH. VOL., MSTR VOL.	
7	041834	KNOB CTL CUSTOM DBL GRY/GREEN	CH. MON., MSTR MON.	
18	041835	KNOB CTL CUSTOM DBL GRY/BLUE	LOW, MID, HIGH EQ	
9	041836	KNOB CTL CUSTOM DBL GRY/BLACK	CH. EFF., EFF. MSTR., REV. RET/MAIN, TAPE RET/MAIN	
3	041837	KNOB CTL CUSTOM DBL GRY/DK GRY	REC. OUT, REV. RT/MON, TAPE RT/MON	
1	050743	PANEL FRONT SRM6302		
1	050758	PANEL REAR SRM6302		
2	050760	HEATSINK SRM63/83		
1	051028	SPREADER BAR SRM63/83		
13	051155	SCREW #4 HI LO		
3	069393	NUT 6-32 HEX EXT LOCK		
6	051402	SCREW 8-32X1-1/4 HWHS BLX		
12	9904101110	SCRW PB 8x5/8 PHP BLX		
1	040403	REVERB UNIT 800 OHM 8EB3C1A UP		
2	049650	CORD WRAP STYLE 2		
16	031153	WASHER, FLAT, 3/8 X .614 NI"		
16	016352	NUT, HEX 3/8-32X3/32 TK NI"		
4	051404	STANDOFF, NYLON"		
10	014172	SCREW M 4-40x1/4 PHP BLX		
2	037623	SCRW TC25 6x1/2 PHP ZI		
8	032908	SCRW TF 6-32x3/8 PHP ZI		
3	017433	SCRW M 6-32x3/8 PHP BLX		

PARTS LIST

MISCELLANEOUS CONTINUED

<u>QTY</u>	<u>PART#</u>	<u>DESCRIPTION</u>	<u>REFERENCE</u>	<u>DESIGNATION</u>
1	039236	SWITCH ROCKER DPST PSEUDO-IEC		120 V DOMESTIC ONLY
1	051461	XFMR PWR 120V SRM63/83		120 V DOMESTIC ONLY
1	026038	BUSHING SR .625x.062X37/64 BLK		120 V DOMESTIC ONLY
1	026541	CABLE ASSY PWR W/.250 TAB 120V		120 V DOMESTIC ONLY
1	051451	PCB ASSY PWR AMP SRM63/83 DOM		120 V DOMESTIC ONLY
1	050797	PCB ASSY PWR AMP SRM63/83 EXP		EXPORT ONLY
1	040582	SWITCH DPST .250 TAB GLOBAL		EXPORT ONLY
1	051462	XFMR PWR EXPORT SRM63/83		EXPORT ONLY
1	010401	BUSHING SR .625x.125X37/64 WHT		EXPORT ONLY
1	033331	CABLE ASSY PWR 220/240		230 V EUR ONLY
4	036496	SCRW TF 10-32X1-1/2 PHP BLX		
4	9904300900	WASHER FLAT 1/4X1 STL BLX		
4	029828	SCRW PB 8X3/4 PHP ZI		
1	040993	CABLE ASSY PWR 5A U.K. .250 TAB		230 V UK ONLY
1	038602	CABLE ASSY PWR AUST .250 TAB		240 V AUST ONLY
3	048451	BUTTON PUSH OFF WHITE		

REVISIONS			
REV.	DESCRIPTION	DATE	APPROVED
A	PR332	13-DEC-96	R D V
B	EC 1896	28-APR-97	E M M
C	EC 2076	09-MAR-98	E M M



NOTE: THE HUNDREDS DIGIT OF EACH CHANNEL REFERENCE DESIGNATOR INDICATES TO WHICH CHANNEL THE PART IS ASSIGNED. (I.E. WHERE R155 IS FOR CHANNEL 1, R255 PERFORMS THE SAME FUNCTION FOR CHANNEL 2.)

- PHANTOM POWER ON (SWITCH "M").
- ALL LEVEL CONTROLS SET TO MAXIMUM.
- GRAPHIC EQ'S AND CH-TONE CONTROLS SET TO MID.
- LOW-FREQUENCY SINEWAVE INTO ANY MIC INPUT OR 100mVrms 10KHz SINEWAVE INTO ANY LINE INPUT OR 300mVrms 10KHz SINEWAVE INTO TAPE IN L OR R OR 300mVrms INTO EFFECTS IN.
- ALL VOLTAGES MEASURED WITH RESPECT TO GROUND USING A DVM OF AT LEAST 1M AC IMPEDANCE AND 10M DC INPUT IMPEDANCE. VOLTAGES MAY VARY BY 20%.
- ALL POLARIZED CAPACITORS IN μ F, 50V, 20K.
- ALL UNPOLARIZED CAPACITORS IN μ F, 50V, 5K.
- ALL RESISTORS IN OHMS, 1/4W, 2%.
NOTES: (UNLESS OTHERWISE NOTED)

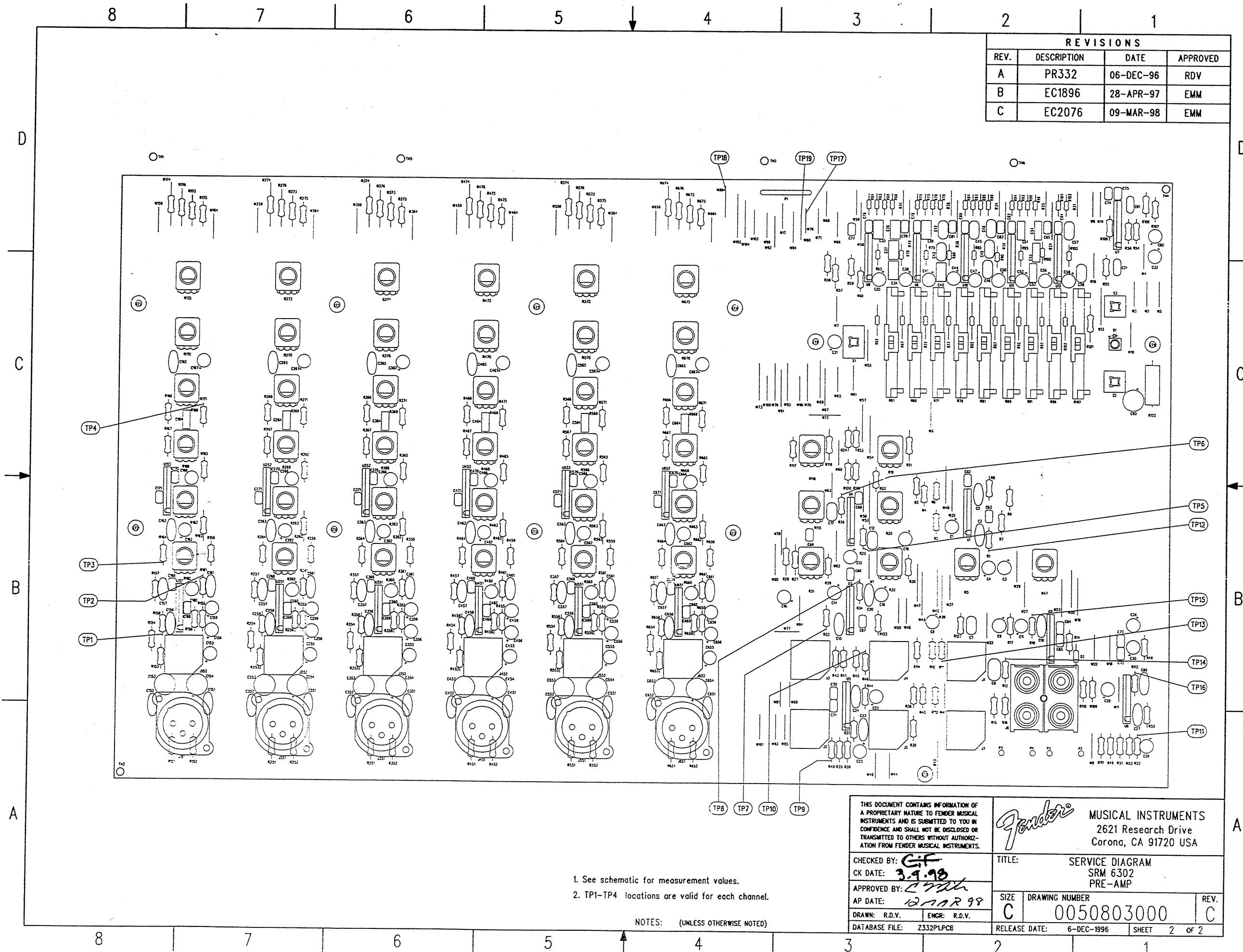
THIS DOCUMENT CONTAINS INFORMATION OF A PROPRIETARY NATURE TO FENDER MUSICAL INSTRUMENTS AND IS LOANED TO YOU IN CONFIDENCE AND SHALL NOT BE DISCLOSED OR TRANSMITTED TO OTHERS WITHOUT AUTHORIZATION FROM FENDER MUSICAL INSTRUMENTS.

Fender MUSICAL INSTRUMENTS
2621 Research Drive
Corona, CA 91720 USA

CHECKED BY: *[Signature]*
OK DATE: 3/27/98
APPROVED BY: *[Signature]*
AP DATE: 12/27/98
DRAWN: RDV ENCR: RDV

TITLE: SERVICE DIAGRAM, SRW6302 PREAMP PCB ASSEMBLY
SIZE: DRAWING NUMBER
REV. C


FILE: z332a1.sch
RELEASE DATE: 13-DEC-96 | SHEET: 1 OF 2



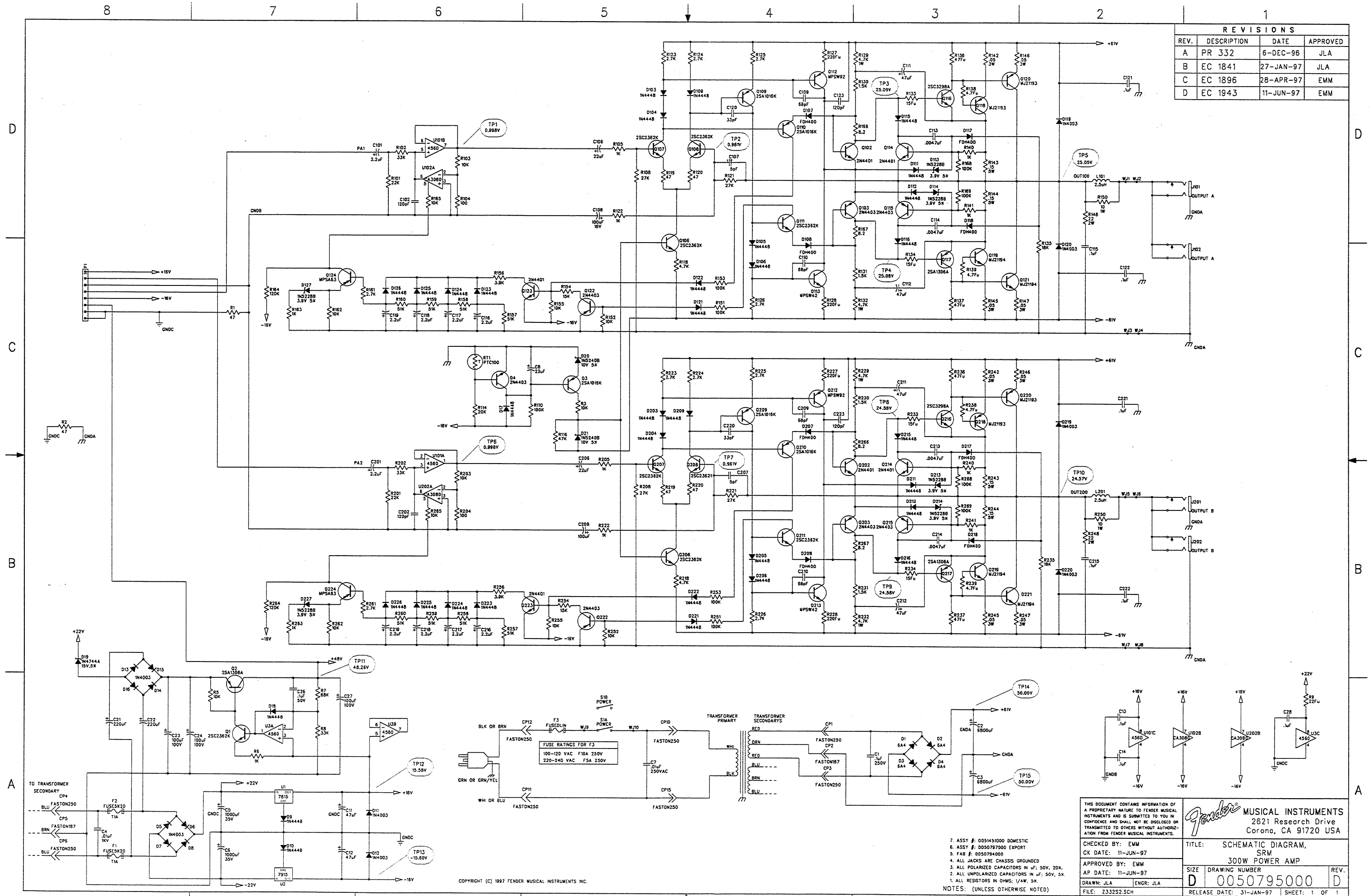
REVISIONS			
REV.	DESCRIPTION	DATE	APPROVED
A	PR332	06-DEC-96	RDV
B	EC1896	28-APR-97	EMM
C	EC2076	09-MAR-98	EMM

1. See schematic for measurement values.
2. TP1-TP4 locations are valid for each channel.

NOTES: (UNLESS OTHERWISE NOTED)

THIS DOCUMENT CONTAINS INFORMATION OF A PROPRIETARY NATURE TO FENDER MUSICAL INSTRUMENTS AND IS SUBMITTED TO YOU IN CONFIDENCE AND SHALL NOT BE DISCLOSED OR TRANSMITTED TO OTHERS WITHOUT AUTHORIZATION FROM FENDER MUSICAL INSTRUMENTS.		 MUSICAL INSTRUMENTS 2621 Research Drive Corona, CA 91720 USA	
CHECKED BY: <i>GF</i> CK DATE: <i>3.9.98</i>		TITLE: SERVICE DIAGRAM SRM 6302 PRE-AMP	
APPROVED BY: <i>EMM</i> AP DATE: <i>12 MAR 98</i>		SIZE: C	DRAWING NUMBER: 0050803000
DRAWN: R.D.V.	ENGR: R.D.V.	RELEASE DATE: 6-DEC-1996	SHEET 2 OF 2
DATABASE FILE: Z332PLPCB		REV. C	

REVISIONS			
REV.	DESCRIPTION	DATE	APPROVED
A	PR 332	6-DEC-96	JLA
B	EC 1841	27-JAN-97	JLA
C	EC 1896	28-APR-97	EMM
D	EC 1943	11-JUN-97	EMM



FUSE RATINGS FOR F3
 100-120 VAC F10A 250V
 220-240 VAC F5A 250V

THIS DOCUMENT CONTAINS INFORMATION OF A PROPRIETARY NATURE TO FENDER MUSICAL INSTRUMENTS AND IS SUBMITTED TO YOU IN CONFIDENCE AND SHALL NOT BE DISCLOSED OR TRANSMITTED TO OTHERS WITHOUT AUTHORIZATION FROM FENDER MUSICAL INSTRUMENTS.

Fender MUSICAL INSTRUMENTS
 2621 Research Drive
 Corona, CA 91720 USA

CHECKED BY: EMM
 CK DATE: 11-JUN-97

APPROVED BY: EMM
 AP DATE: 11-JUN-97

DRAWN: JLA ENGR: JLA

FILE: Z332S2.SCH

TITLE: SCHEMATIC DIAGRAM, SRM 300W POWER AMP

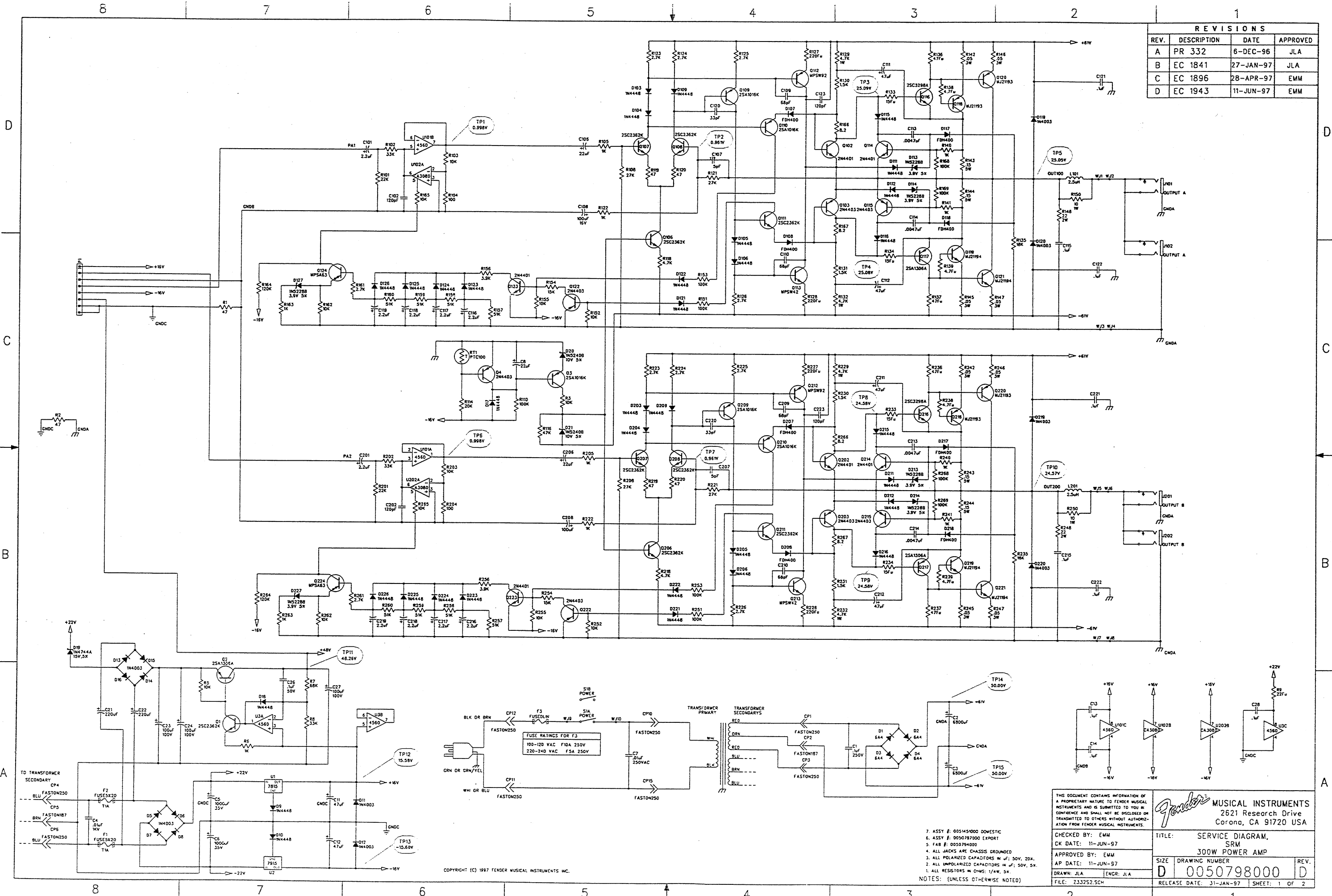
SIZE: DRAWING NUMBER
 D 0050795000

REV. D

RELEASE DATE: 31-JAN-97 SHEET: 1 OF 1

- NOTES: (UNLESS OTHERWISE NOTED)
7. ASSY #: 0051451000 DOMESTIC
 8. ASSY #: 0050797000 EXPORT
 9. FAB #: 0050794000
 10. ALL JACKS ARE CHASSIS GROUNDED
 11. ALL POLARIZED CAPACITORS IN UF; 50V, 20X.
 12. ALL UNPOLARIZED CAPACITORS IN UF; 50V, 5X.
 13. ALL RESISTORS IN OHMS; 1/4W, 5X.

REVISIONS			
REV.	DESCRIPTION	DATE	APPROVED
A	PR 332	6-DEC-96	JLA
B	EC 1841	27-JAN-97	JLA
C	EC 1896	28-APR-97	EMM
D	EC 1943	11-JUN-97	EMM



FUSE RATINGS FOR FJ
 100-120 VAC F1DA 250V
 220-240 VAC FSA 250V

COPYRIGHT (C) 1997 FENDER MUSICAL INSTRUMENTS, INC.

THIS DOCUMENT CONTAINS INFORMATION OF A PROPRIETARY NATURE TO FENDER MUSICAL INSTRUMENTS AND IS SUBMITTED TO YOU IN CONFIDENCE AND SHALL NOT BE DISCLOSED OR TRANSMITTED TO OTHERS WITHOUT AUTHORIZATION FROM FENDER MUSICAL INSTRUMENTS.

Fender MUSICAL INSTRUMENTS
 2621 Research Drive
 Corona, CA 91720 USA

CHECKED BY: EMM
 CK DATE: 11-JUN-97

APPROVED BY: EMM
 AP DATE: 11-JUN-97

DRAWN: JLA ENGR: JLA
 FILE: 233252.SCH

TITLE: SERVICE DIAGRAM,
 SRM
 300W POWER AMP

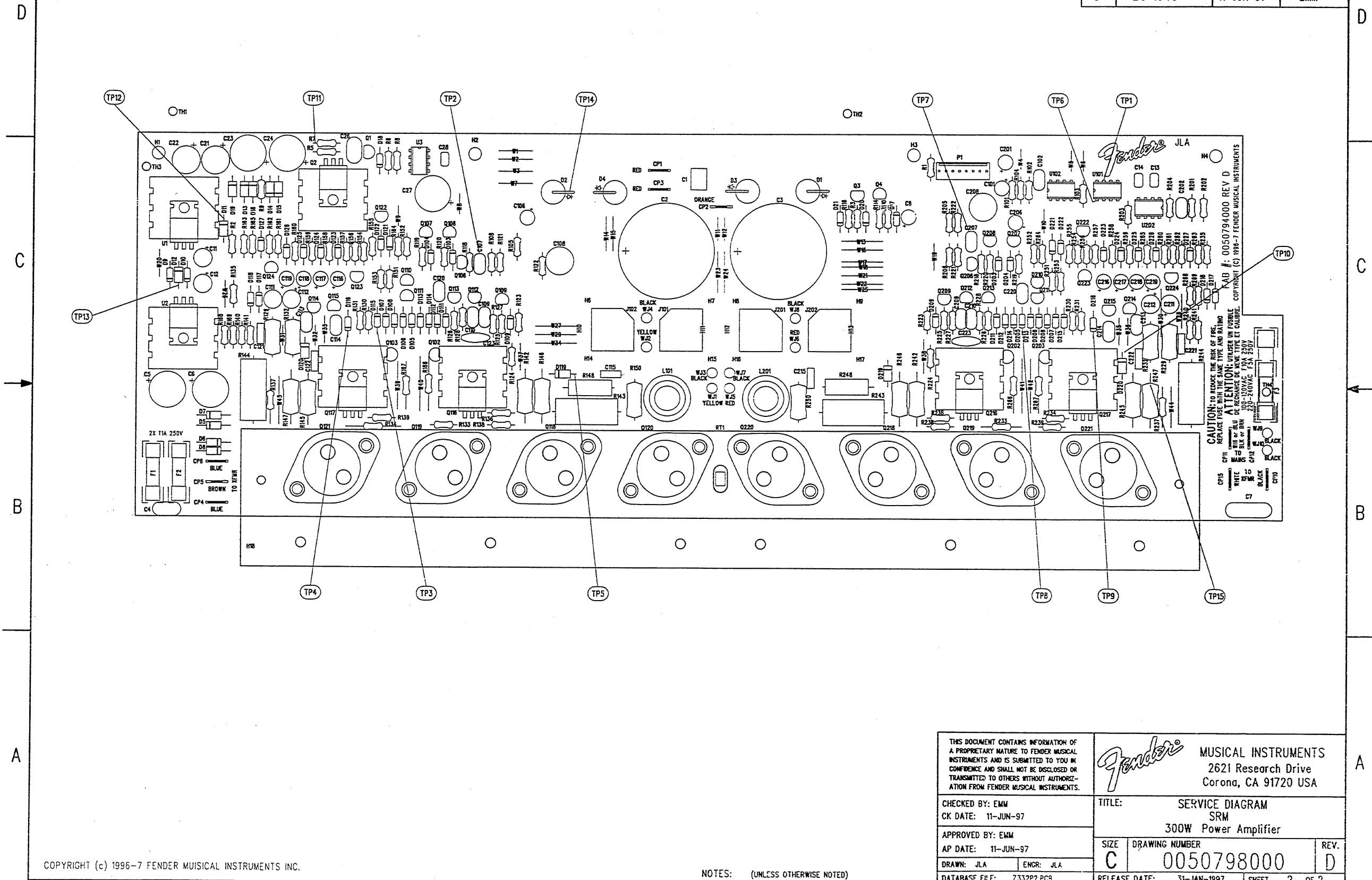
SIZE DRAWING NUMBER
D 0050798000

REV. **D**

RELEASE DATE: 31-JAN-97 SHEET: 1 OF 2


1. ALL JACKS ARE CHASSIS GROUNDING
 2. ALL POLARIZED CAPACITORS IN μ F; 50V, 20X.
 3. ALL UNPOLARIZED CAPACITORS IN μ F; 50V, 5X.
 4. ALL RESISTORS IN Ω 'S; 1/4W, 5X.
- NOTES: (UNLESS OTHERWISE NOTED)

REVISIONS			
REV.	DESCRIPTION	DATE	APPROVED
A	PR 332	6-DEC-96	JLA
B	EC 1841	23-JAN-96	JLA
C	EC 1896	28-APR-97	EMM
D	EC 1943	11-JUN-97	EMM



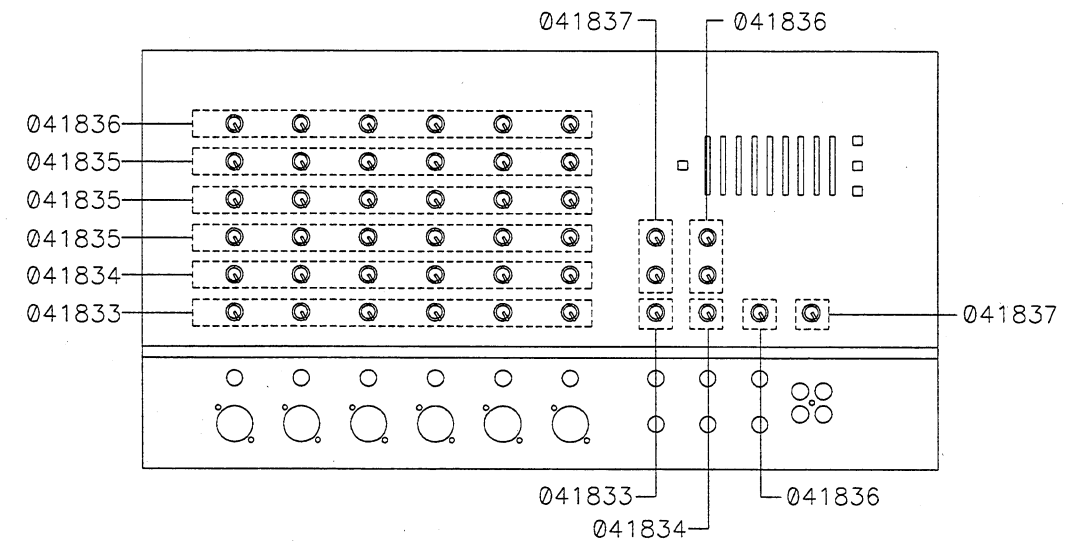
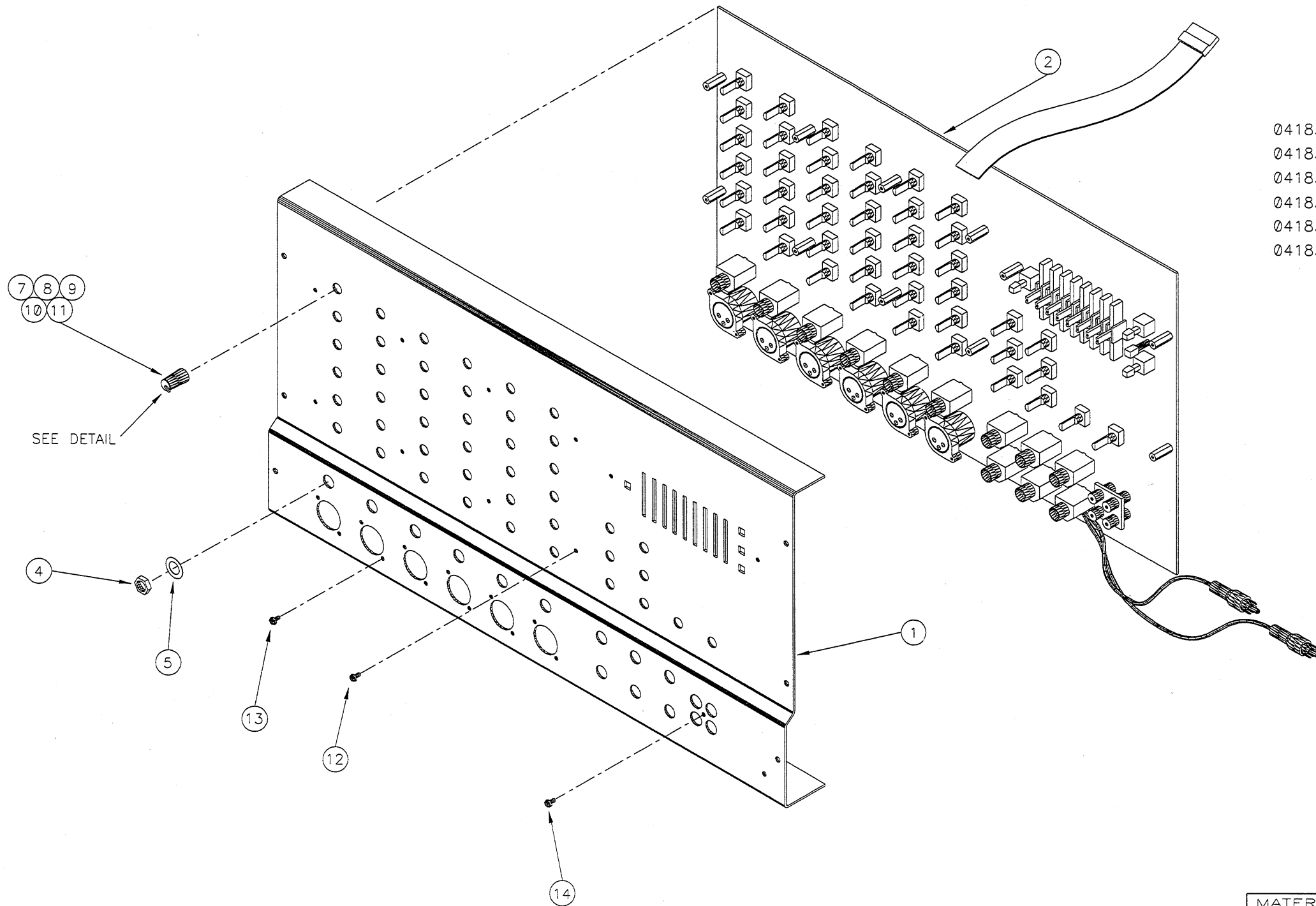
COPYRIGHT (c) 1996-7 FENDER MUSICAL INSTRUMENTS INC.

NOTES: (UNLESS OTHERWISE NOTED)

THIS DOCUMENT CONTAINS INFORMATION OF A PROPRIETARY NATURE TO FENDER MUSICAL INSTRUMENTS AND IS SUBMITTED TO YOU IN CONFIDENCE AND SHALL NOT BE DISCLOSED OR TRANSMITTED TO OTHERS WITHOUT AUTHORIZATION FROM FENDER MUSICAL INSTRUMENTS.		 MUSICAL INSTRUMENTS 2621 Research Drive Corona, CA 91720 USA	
CHECKED BY: EMM	CK DATE: 11-JUN-97	TITLE: SERVICE DIAGRAM SRM 300W Power Amplifier	
APPROVED BY: EMM	AP DATE: 11-JUN-97	SIZE: C	DRAWING NUMBER: 0050798000
DRAWN: JLA	ENGR: JLA	RELEASE DATE: 31-JAN-1997	REV: D
DATABASE FILE: Z332P2.PCB		SHEET 2 OF 2	

THIS DOCUMENT CONTAINS INFORMATION OF A PROPRIETARY NATURE TO FENDER MUSICAL INSTRUMENTS AND IS SUBMITTED TO YOU IN CONFIDENCE AND SHALL NOT BE DISCLOSED OR TRANSMITTED TO OTHERS WITHOUT AUTHORIZATION FROM FENDER MUSICAL INSTRUMENTS CORP.

REV	EC NUMBER	BY	DATE/AMOUNT
A	PR 332	TM	12-6-96
B	EC 1841	EW	01-27-97
C	EC 1896	KD	05-06-97
D	MEC 077	KD	07-23-97
E	EC 2001	KD	09-25-97



KNOB PLACEMENT DETAIL
TYP. TO BOTH MODELS

14	1	0031868000	1	0031868000	SCREW PLASTITE 4x1/4 PHP BLX
13	12	0051155000	16	0051155000	SCREW #4 HI LO
12	10	0014172000	10	0014172000	SCREW M 4-40x1/4 PHP BLX
11	3	0041837000	3	0041837000	DRK GRY/GRY KNOB
10	9	0041836000	11	0041836000	BLK/GREY KNOB
9	18	0041835000	24	0041835000	BLUE/GREY KNOB
8	7	0041834000	9	0041834000	GRN/GREY KNOB
7	7	0041833000	9	0041833000	WHT/GREY KNOB
6					
5	12	0031153000	14	0031153000	WSHR 3/8 x .614
4	12	0016352000	14	0016352000	NUT 3/8-32 x 3/32 TK NI
3					
2	1	0050802000	1	0051470000	PCB ASSY. PREAMP
1	1	0050743000	1	0051387000	FRONT PANEL
ITEM	QTY.	0716321000 MODEL SRM 6302	QTY.	0718321000 MODEL SRM 8302	DESCRIPTION

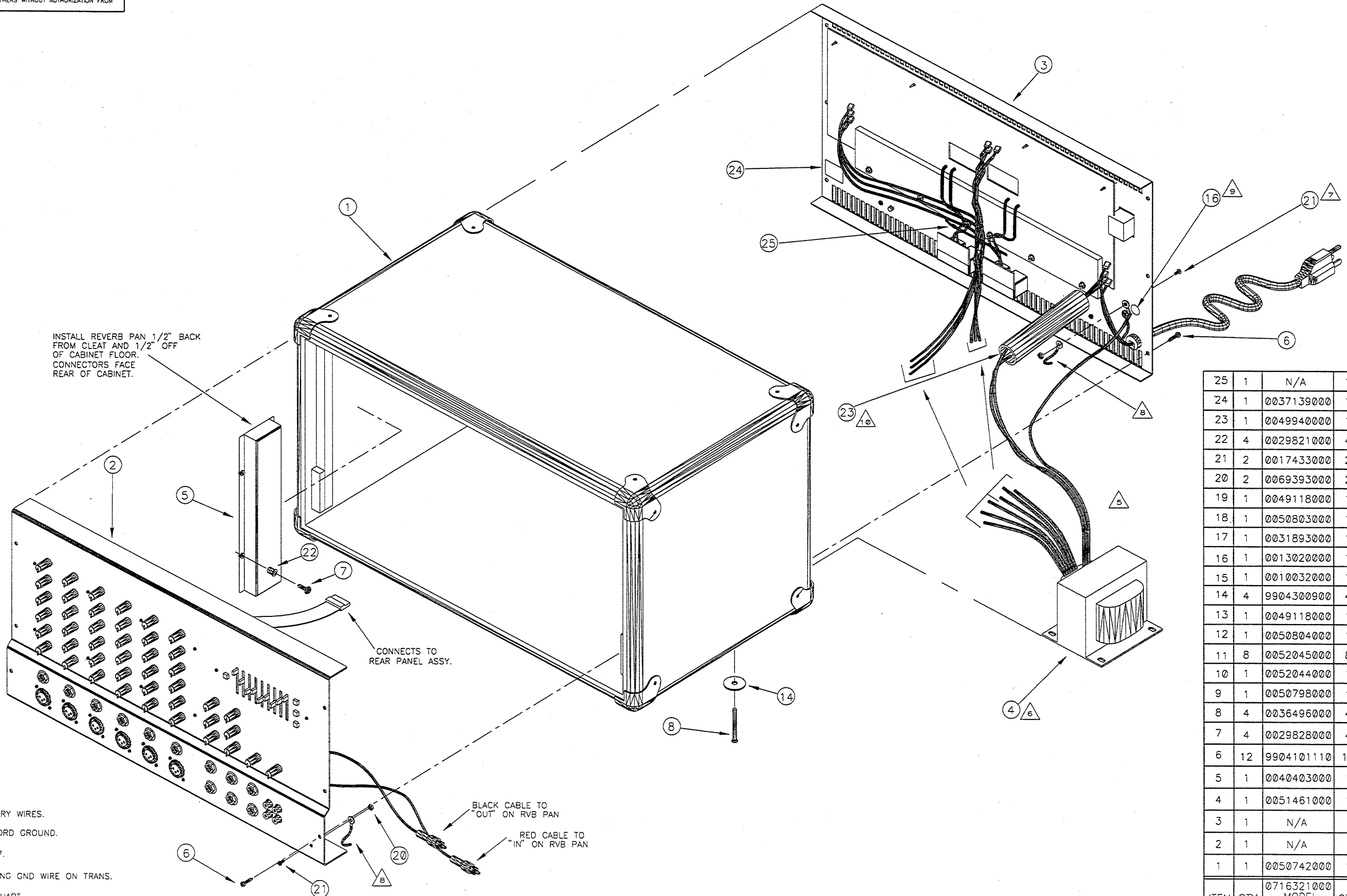
4. COPYRIGHT - 1997 - FENDER MUSICAL INSTRUMENTS CORP.
 3. - 3 - SAMPLES OF FIRST PARTS MUST BE APPROVED BY FENDER R&D BEFORE STARTING PRODUCTION.
 2. ALL DIMENSIONS ARE IN INCHES.
 1. DO NOT SCALE DRAWING.
- NOTES: UNLESS OTHERWISE NOTED

MODEL SHOWN
SRM 6302

MATERIAL	n/a	ENGINEER	VICE	 FENDER MUSICAL INSTRUMENTS CORP. CORONA, CALIFORNIA 91720
FINISH	n/a	DRAWN	MULROY	
		DATE	11-13-96	TITLE
		DFT.	ENG.	ASSY. DIAGRAM
		DATE	DATE	SRM 6302/8302
		APPROVED		SHEET
		DATE	2650 97	1/3
				SIZE
				D
				DRAWING NUMBER
				0716321000
				REV.
				E

THIS DOCUMENT CONTAINS INFORMATION OF A PROPRIETARY NATURE TO FENDER MUSICAL INSTRUMENTS AND IS SUBMITTED TO YOU IN CONFIDENCE AND SHALL NOT BE DISCLOSED OR TRANSMITTED TO OTHERS WITHOUT AUTHORIZATION FROM FENDER MUSICAL INSTRUMENTS CORP.

REV	EC NUMBER	BY	DATE (MM/YY)
A	PRELIM.	TM	12-6-96
B	EC 1841	EW	01-27-97
C	EC 1896	KD	05-06-97
D	MEC 077	KD	07-23-97
E	EC 2001	KD	09-25-97



INSTALL REVERB PAN 1/2" BACK FROM CLEAT AND 1/2" OFF OF CABINET FLOOR. CONNECTORS FACE REAR OF CABINET.

CONNECTS TO REAR PANEL ASSY.

BLACK CABLE TO "OUT" ON RVB PAN
RED CABLE TO "IN" ON RVB PAN

- ⑩ INSTALL OVER PRIMARY WIRES.
- ⑨ PLACE NEAR LINE CORD GROUND.
- ⑧ SEE WIRESET 051467.
- ⑦ USED FOR CONNECTING GND WIRE ON TRANS.
- ⑥ ALSO SEE EXPORT CHART.
- ⑤ TWIST WIRE GROUPS AND WIRE PER SCHEMATIC P/N 050797.

4. COPYRIGHT - 1997 - FENDER MUSICAL INSTRUMENTS CORP.
3. - 3 - SAMPLES OF FIRST PARTS MUST BE APPROVED BY FENDER R&D BEFORE STARTING PRODUCTION.
2. ALL DIMENSIONS ARE IN INCHES.
1. DO NOT SCALE DRAWING.
NOTES: UNLESS OTHERWISE NOTED

ITEM	QTY.	0716321000 MODEL SRM 6302	QTY.	0718321000 MODEL SRM 8302	DESCRIPTION
25	1	N/A	1	N/A	TIE WRAP (BULK)
24	1	0037139000	1	0037139000	LABEL FUSE REPLACEMENT
23	1	0049940000	1	0049940000	TUBING PVC 1/2x6" 105' CSA
22	4	0029821000	4	0029821000	EYLET RFLINGD .2150Dx.35L
21	2	0017433000	2	0017433000	SCREW 6-32x3/8 PHP BLX
20	2	0069393000	2	0069393000	NUT HEX 6-32 LOCKING
19	1	0049118000	1	0049118000	ORDER FORM MAKING CONN.
18	1	0050803000	1	0051471000	SERV. DIA. PRE (N/S)
17	1	0031893000	1	0031893000	TAG 5YR WAR (N/S)
16	1	0013020000	1	0013020000	LABEL GND SEMKO
15	1	0010032000	1	0010032000	BAG POLY BOX (N/S)
14	4	9904300900	4	9904300900	WSHR FLT STL BLX
13	1	0049118000	1	0049118000	ORDER FORM (N/S)
12	1	0050804000	1	0050804000	MANUAL OWNERS(N/S)
11	8	0052045000	8	0052045000	CORNERS (NOT SHOWN)
10	1	0052044000	1	0052044000	CARTON(NOT SHOWN)
9	1	0050798000	1	0050798000	SERV. DIA. PWR (N/S)
8	4	0036496000	4	0036496000	SCR TF 10-32x1-1/2 PHP BLK
7	4	0029828000	4	0029828000	SCRW 8x3/4 PHP ZI
6	12	9904101110	12	9904101110	SCRW 8x5/8 PHP BLX
5	1	0040403000	1	0040403000	REVERB PAN
4	1	0051461000	1	0051461000	TRANSFORMER
3	1	N/A	1	N/A	REAR PANEL ASSY.
2	1	N/A	1	N/A	FRONT PANEL ASSY.
1	1	0050742000	1	0050742000	CABINET ASSY.

EXPORT VERSION CHART					
ITEM	QTY.	0716321000 MODEL SRM 6302	QTY.	0718321000 MODEL SRM 8302	DESCRIPTION
4	1	0051462000	1	0051462000	TRANSFORMER

MATERIAL	n/a
FINISH	n/a
TOL. UNLESS NOTED	
FRACT.	1/32
.X	0.050
.XX	0.010
.XXX	0.005
ANGLES	0.5 DEGREES
HOLE DIA.	+0.005 - 0.001
UNMARKED ANGLES	90 DEGREES.

ENGINEER	RDV	
DRAWN	MULROY	
DATE	11-14-95	FENDER MUSICAL INSTRUMENTS CORP. CORONA, CALIFORNIA 91720
TITLE	ASSY. DIAGRAM SRM 6302/8302	
SHEET	3/3	DRAWING NUMBER
SCALE	N/A	D 0716321000
REV.	E	