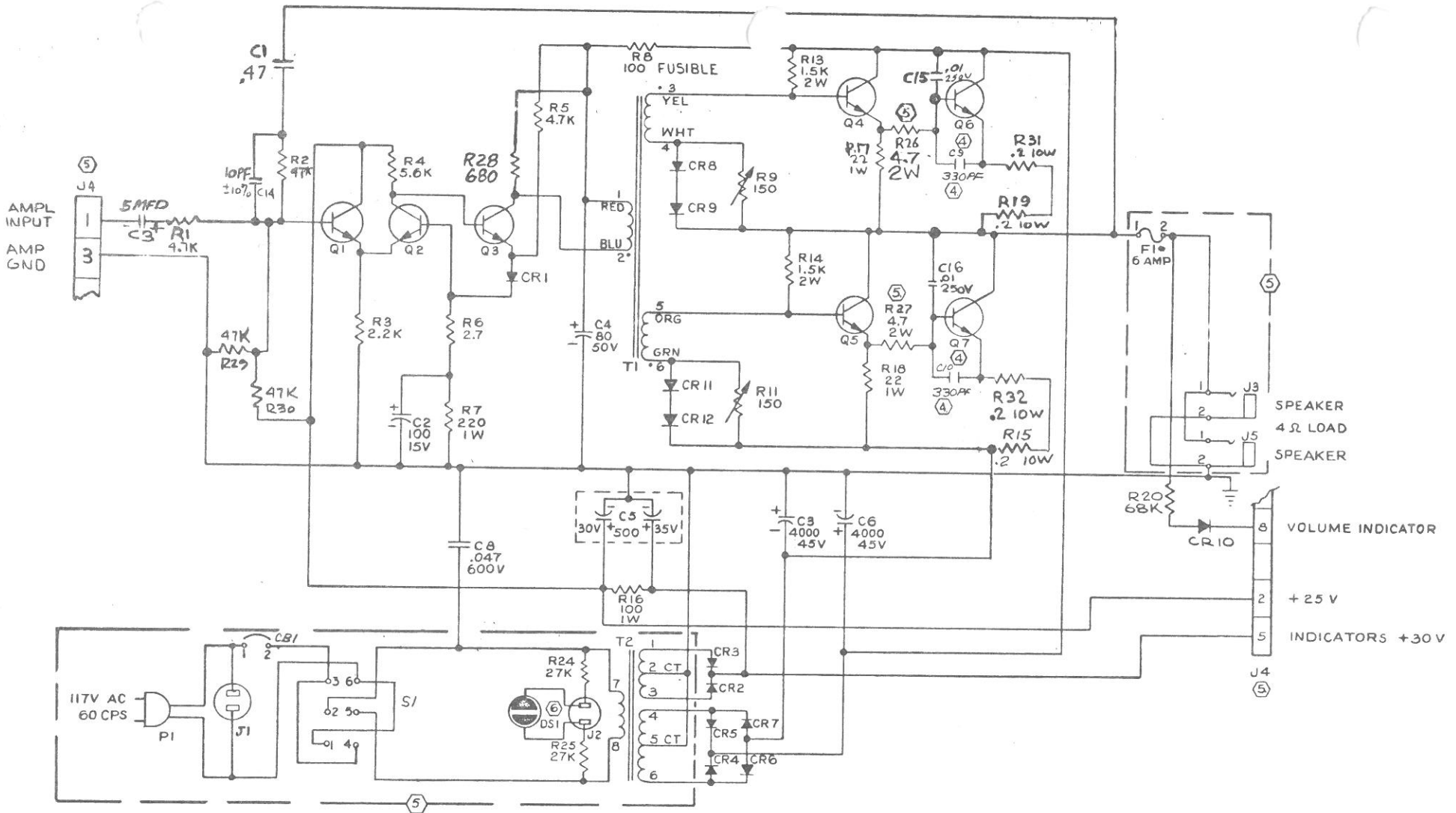


5. THIS DRAWING SUPERSEDES 066382.

- 1. J1 THRU J4 MOUNTED ON INPUT CHASSIS, P/No.
- 2. LAST REF. DESIGNATION USED, R26, C22, Q 6, R25 & J4.
- 3. ALL CAPACITORS ARE RATED AT 50VDCMIN, VALUES IN MICROFARADS ±10%, ELECTROLYTIC - 20% + 150%.
- 4. ALL RESISTORS ARE 1/2 WATT, VALUES IN OHMS ±10%.

NOTES: UNLESS OTHERWISE SPECIFIED

| | | | |
|---|---------------|--|--------|
| Fender | | MUSICAL INSTRUMENTS FULLERTON, CALIFORNIA | |
| — SCHEMATIC — PREAMP-PUBLIC ADDRESS | | | |
| Rev: 1/67 | SIZE: D | DWG. NO.: 104109 | REV: 1 |
| SCALE: NONE | MODEL: PA4100 | SHEET 1 OF 1 | |



9. THIS DRAWING SUPERSEDES 072975

- 8. ALL COMPONENT VOLTAGE VALUES ARE MINIMUM, ONLY HIGHER VOLTAGE VALUES MAY BE USED
- 7. ALL COMPONENTS ARE MOUNTED ON P.C. BOARD
- ⑥ COMPONENT MOUNTED ON CONTROL PANEL
- ③ COMPONENT MOUNTED ON CHASSIS
- ④ COMPONENT MOUNTED ON HEATSINK
- 3. LAST REF DESIGNATION USED, R32 (R10, R12, R21, R22, R23 OMITTED) CR12, C16 (C1 OMITTED), Q7, JS, T2, CBI, S1, DS1, P1, AND F1. (C11 & C12 OMITTED)
- 2. ALL CAPACITORS ARE RATED WITH VALUES IN MICROFARADS ± 20%, ELECTROLYTIC -20% + 150%
- 1. ALL RESISTORS ARE 1/2 WATT, VALUES IN OHMS ± 10%

NOTES: UNLESS OTHERWISE SPECIFIED

| | |
|--|----------------------------|
| Fender MUSICAL INSTRUMENTS FULLERTON, CALIFORNIA | |
| DWG. TITLE - SCHEMATIC - POWER OUTPUT AMPLIFIER 100 WATT PA. | |
| Rev. 461 | SIZE DWG. NO. D 104091 |
| SCALE NONE | MODEL PA 4100 SHEET 1 OF 1 |