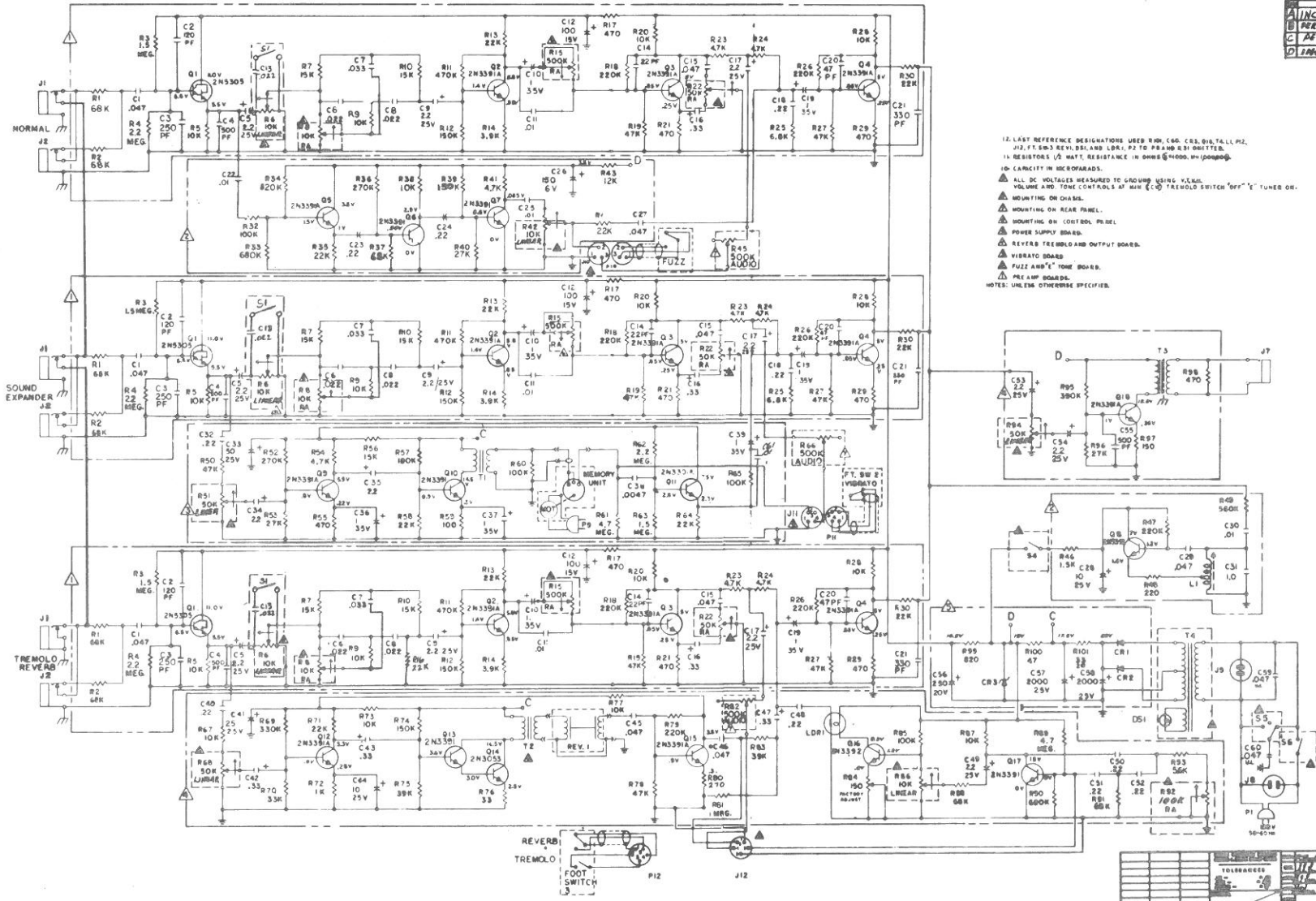
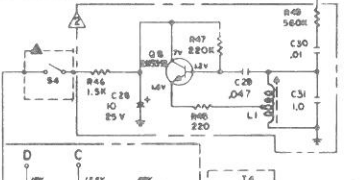
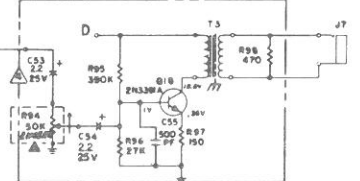


REVISED

A INCORPORATED 130 A J P  
 B PER ECG 1250, MV, MW A J P  
 C PER R10 1503 A J P  
 D INCORPORATED 130 A J P

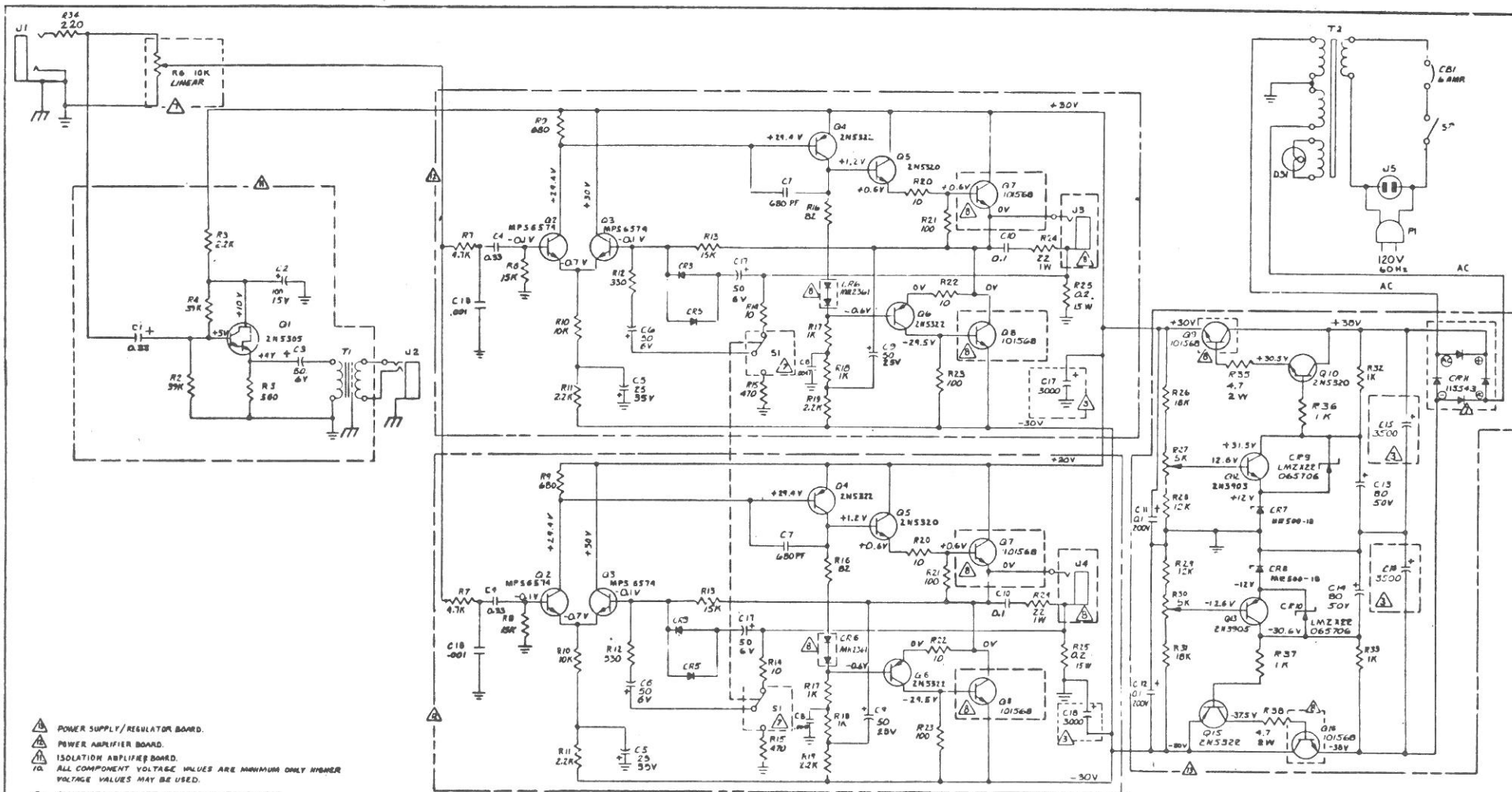


12. LAST REFERENCE DESIGNATIONS USED R40, C60, C63, Q14, T4, L1, P2.  
 13. FT. SW. REV. 1, P2 AND LDR1, P2 TO PH AND R1 OMITTED.  
 14. RESISTORS 1/2 WATT, RESISTANCE IN OHMS @ 1000, 100, 1000000.  
 15. CAPACITANCE IN MICROFARADS.  
 16. ALL DC VOLTAGES MEASURED TO GROUND USING V.E.M.  
 17. VOLUME AND TONE CONTROLS AT MIN (C) TREMOLO SWITCH "OFF" & TUNED ON.  
 18. MOUNTING ON DORSAL.  
 19. MOUNTING ON REAR PANEL.  
 20. POWER SUPPLY BOARD.  
 21. REVERB TREMOLO AND OUTPUT BOARD.  
 22. VIBRATO BOARD.  
 23. FUZZ AND "E" TONE BOARD.  
 24. PRE AMP BOARD.  
 NOTE: UNLESS OTHERWISE SPECIFIED.



TOURNOISES	DATE	BY	REVISION
			1
			2
			3
			4
			5
			6
			7
			8
			9
			10
			11
			12
			13
			14
			15
			16
			17
			18
			19
			20

SCHEMATIC -  
 PRE AMP SUPER  
 SHAWMAN AMP 55100  
 REV. 110045



- ⚡ POWER SUPPLY/REGULATOR BOARD.
- ⚡ POWER AMPLIFIER BOARD.
- ⚡ ISOLATION AMPLIFIER BOARD.
- ⚡ ALL COMPONENT VOLTAGE VALUES ARE MINIMUM ONLY HIGHER VOLTAGE VALUES MAY BE USED.
- ⚡ ALL COMPONENTS ARE MOUNTED ON PC BOARDS.
- ⚡ COMPONENTS ARE MOUNTED ON A HEATSINK
- ⚡ MOUNTED ON CHASSIS
- ⚡ LAST REFERENCE DESIGNATIONS USED R38, C18, CR11, J5, Q16, CB1, P1, T2, S2 AND DS1, ONIT CM, CR1, CR2, Q11, Q19.
- ⚡ Q2 AND Q3, Q7, Q8, Q5 AND Q16 MUST BE MATCHED BY COLOR CODE
- ⚡ CR3, 6 AND S ARE 1 AMP 100V GP DIODES.
- ⚡ CAPACITORS ARE MOUNTED ON CHASSIS.

⚡ ALL CAPACITOR VALUES IN MICROFARADS  
 ⚡ 10%. ELECTROLYTIC - 10% +100%.

⚡ ALL RESISTORS ARE 1/2 WATT, VALUES BY OHMS ±10%.

NOTES: UNLESS OTHERWISE SPECIFIED

E	PER ECO #1001	L	5-15-69
D	PER ECO #1513	C	05-64
C	PER ECO #1512 (REV. 12-1-62)		11-5-62
B	PER ECO #1390 (REV. 12-1-62)		12-5-62
A	PER ECO #1321 (REV. 12-1-62)		12-5-62

UNLESS OTHERWISE SPECIFIED DEBUR & BREAK SHARP EDGES		DWN	12/1/69	REV	1	JENSEN MUSICAL INSTRUMENTS FLEETWOOD, CALIFORNIA	
TOLERANCES		CHK		APPD		DWG TITLE	
XX -	±.00	APPD		APPD		SCHEMATIC	
XXX -	±.018	APPD		APPD		XFL 1000 AND XFL2000	
ANGLES -	±.1°	APPD		APPD		POWER AMPLIFIER	
MATERIAL		APPROVAL		APPROVAL		REL. NO.	543
PL1000D		APPROVAL		APPROVAL		BOX	111815
PL1000D		APPROVAL		APPROVAL		DWG. NO.	
PL1000D		APPROVAL		APPROVAL		SCALE	
PL1000D		APPROVAL		APPROVAL		MODEL	
PL1000D		APPROVAL		APPROVAL		SHEET	OF 1