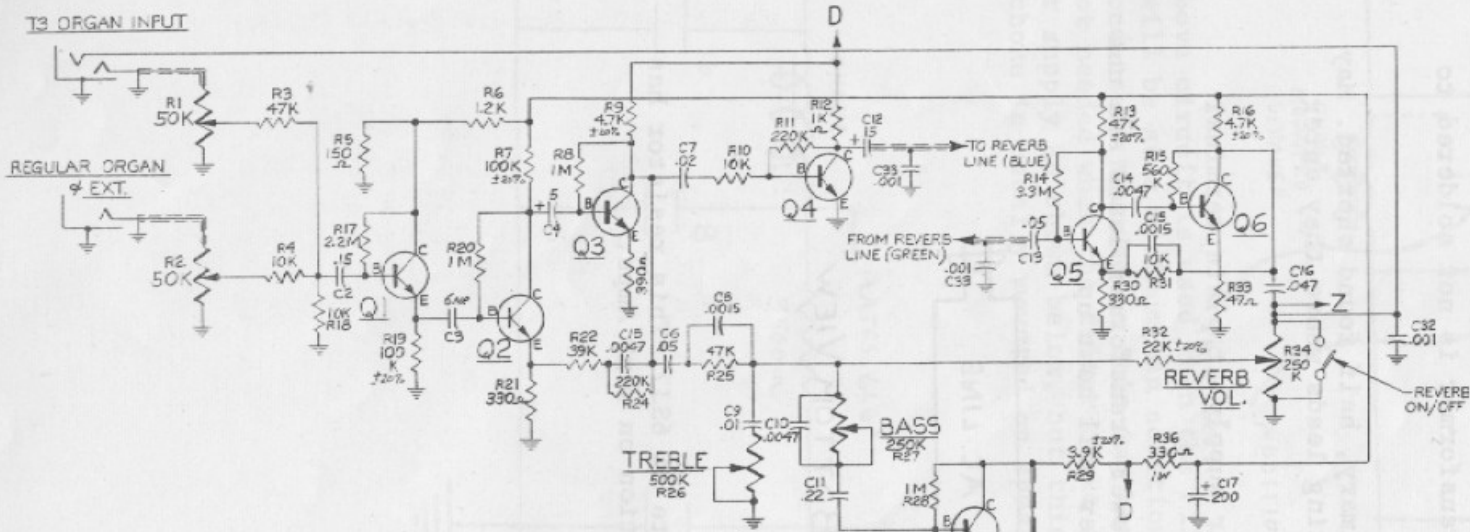


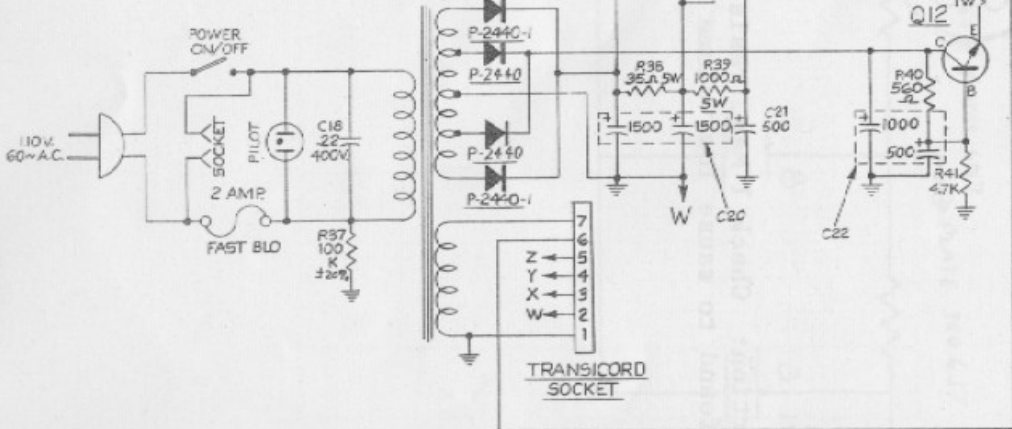
T3 ORGAN INPUT

REGULAR ORGAN
EXT.

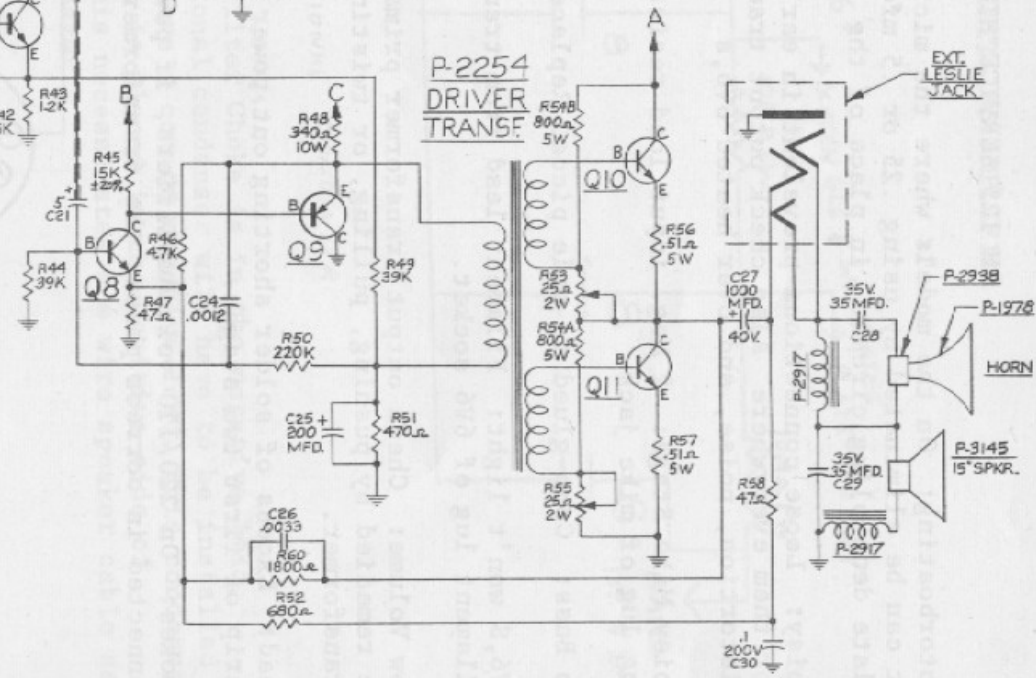


NOTES:
 Q1, Q2, Q3, Q5, Q6, Q7, Q8 ARE P-229B
 Q4 - P-3144
 Q9 - P-2890
 Q10, Q11 - P-3139
 Q12 - P-3172
 ALL RESISTORS ± 0% UNLESS MARKED.
 ALL CAPACITORS IN MFD UNLESS MARKED.

P-3131
POWER
TRANS.



P-2254
DRIVER
TRANS.



SCHMATIC
SABRE AMP