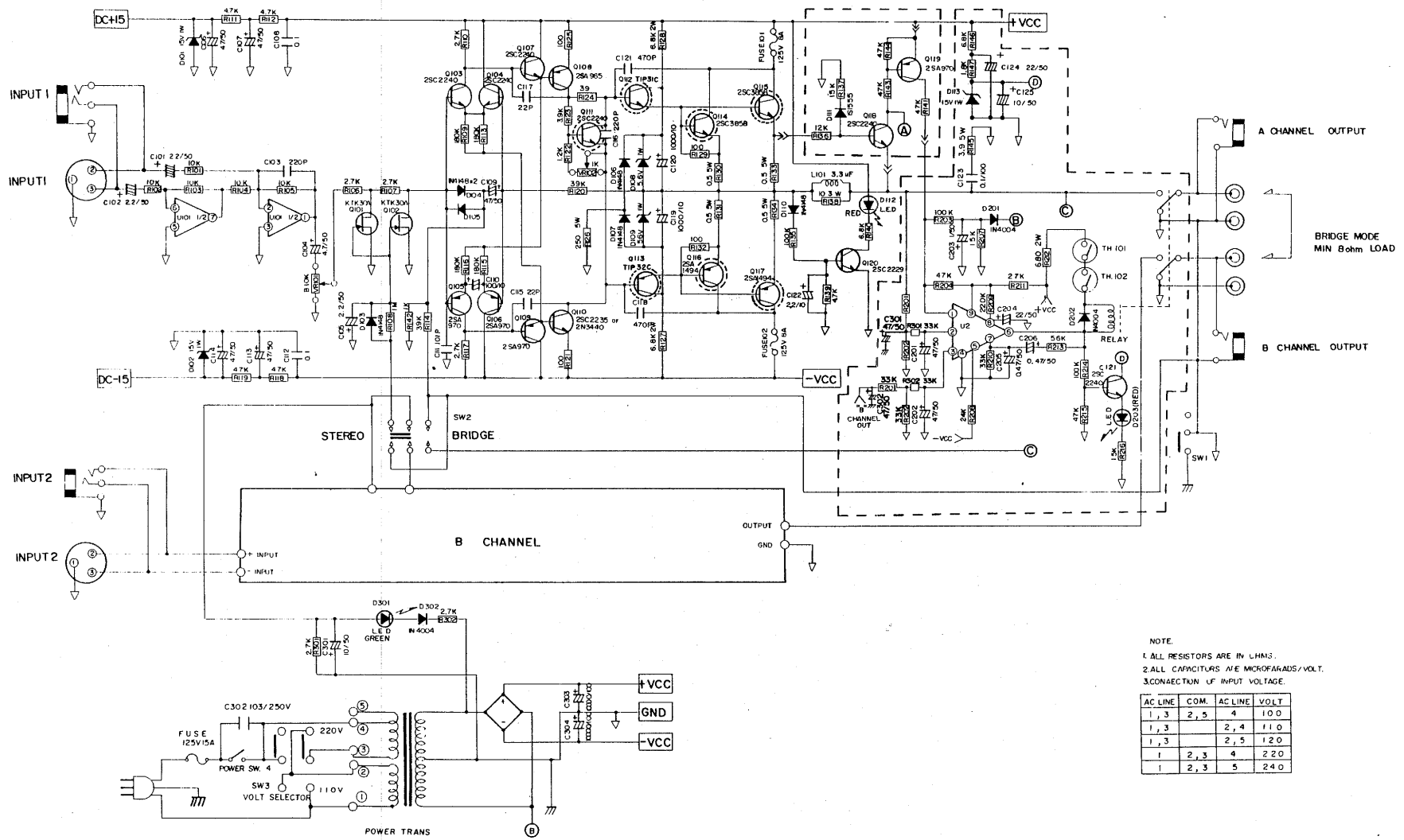


Schematic

SCHEMATIC DIAGRAM: SMP-6000



NOTE:
 1. ALL RESISTORS ARE IN OHMS.
 2. ALL CAPACITORS ARE MICROFARADS/VOLT.
 3. CONNECTION OF INPUT VOLTAGE

AC LINE	COM.	AC LINE	VOLT
1, 3	2, 5	4	100
1, 3		2, 4	110
1, 3		2, 5	120
1	2, 3	4	220
1	2, 3	5	240