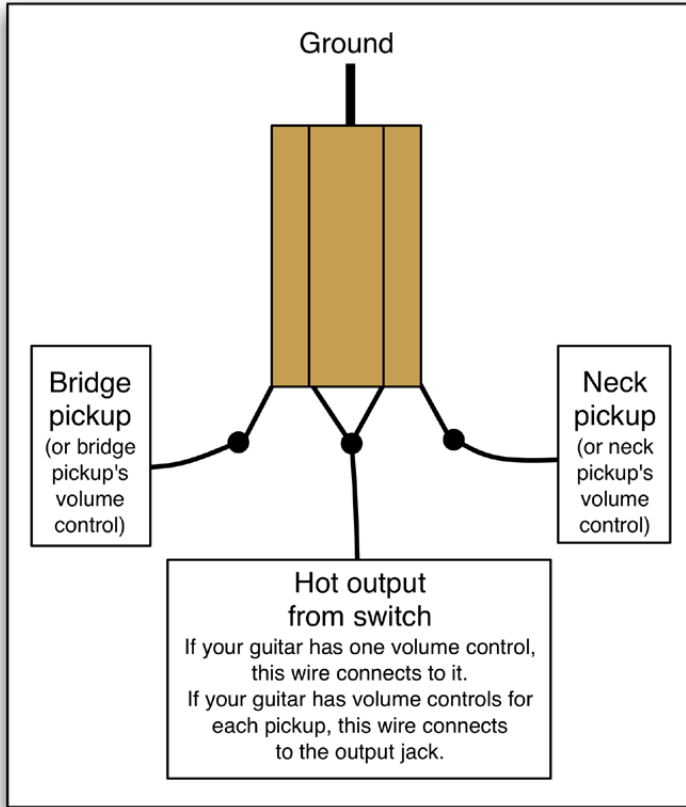


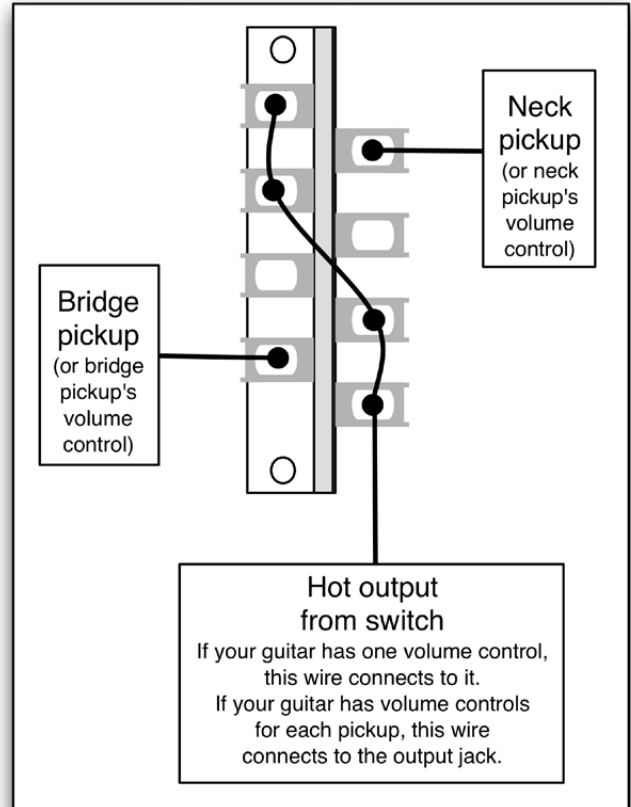
# 3 Way Switch Translation

If you do not have the same type of 3-way switch that is shown in a particular diagram, this chart will help you translate the wiring for a few different, common 3-way switches.

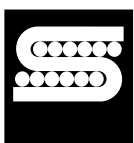
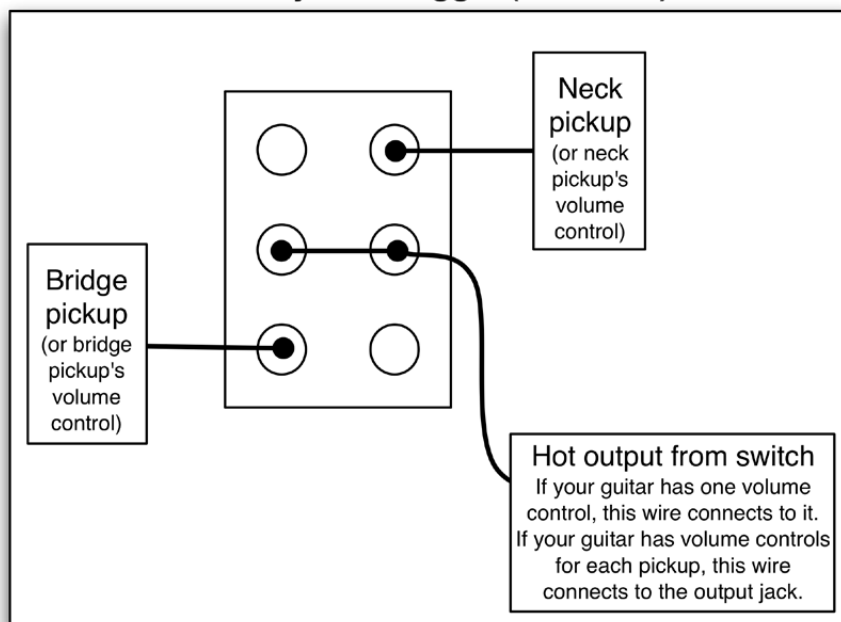
### 3-way Gibson-style toggle



### 3-way blade-style switch



### 3-way mini-toggle (on/on/on)



**Seymour  
Duncan®**

5427 Hollister Ave. • Santa Barbara, CA. 93111

Phone: 805.964.9610 • Fax: 805.964.9749 • Email: [wiring@seymourduncan.com](mailto:wiring@seymourduncan.com)