

Fender Musical Instruments
Fender - Rogers - Rhodes - Squier

~~1300 East Van Ness Drive
Fullerton, California 92631 U.S.A.~~

~~714-566-0000~~

671-5660 (714)
JON FOUCH

Sidekick Series

July 12, 1985
updated 1988

Dear Fender Dealer:

We are pleased to provide preliminary service documentation for our new Sidekick Series amplifiers. This new solid state product line consists of the following models:

Sidekick 15, 15 Reverb, 15 chorus
Sidekick 25 Reverb
Sidekick 35 Reverb
Sidekick 65 Reverb
Sidekick 35 Bass
Sidekick 65 Bass
Stage Lead II
Stage Lead II, 2-12"

Though preliminary, both the enclosed schematics and parts lists have been provided to support adequate service and should be filed with other Fender product service information. Replacement documentation will be available later this summer. Owner's Manuals will be available concurrent with product availability.

Quality and reliability for these models have been greatly improved with Fender's new design parameters, however, there will be times when service is necessary. We at Fender are committed to providing the best product support available. Technical consultation which covers both service or application inquiries is offered for our entire line of products on a daily basis. Please feel free to contact us should you have any questions.

Very truly yours,



William E. Thomas
National Service Manager

JON FOUCH, Tech. Service ext. 5660

WET:ds
Enclosure(s)

NEW SIDEKICK SERIES REPLACEMENT PARTS LIST

June, 1985

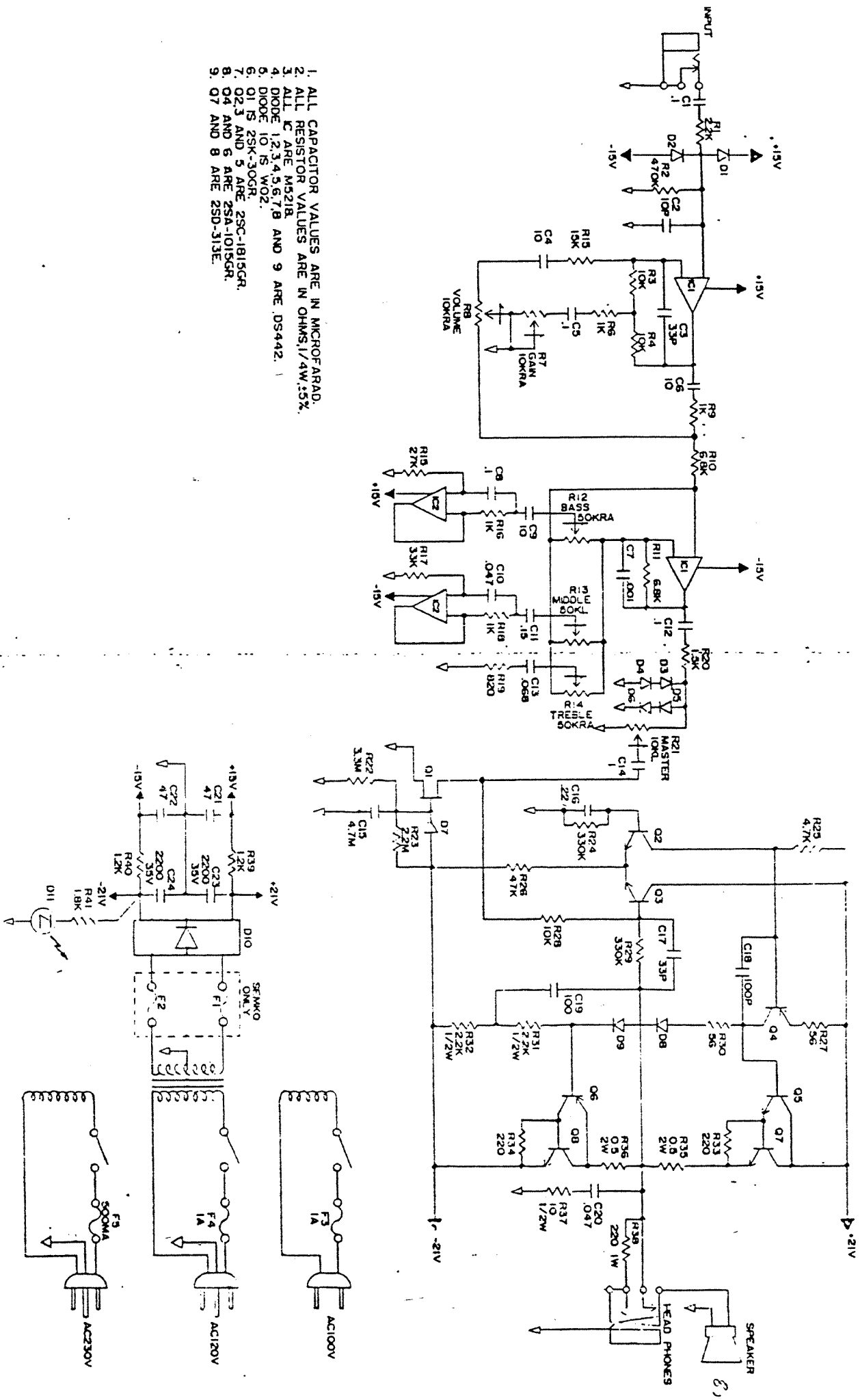
<u>PART NUMBER</u>	<u>DESCRIPTION</u>
025118-000	Op Amp, M5218P
025119-000	Transistor, 2SA1011
025121-000	Transistor, 2SA1015GR
025123-000	Transistor, 2SB560
025124-000	Transistor, 2SC2344
025125-000	Transistor, 2SC2362
025126-000	Transistor, 2SD438
025127-000	Transistor, 2SD1047
023191-000	Transistor, 2SD313E or F
022864-000	Transistor, 2SC1815GR
022969-000	Transistor, 2SD600E or F
023193-000	Transistor, 2SD613E or F
023194-000	Transistor, 2SD1046E or F
022967-000	Transistor, 2SB631
025128-000	FET, 2SK170V
022865-000	FET, 2SK30GRATM
025129-000	Diode, DBA-100C
025131-000	Diode, DBA-40C
025132-000	Diode, DBA-30C
025134-000	Diode, W02
022908-000	LED
022909-000	LED Grip
025188-000	Capacitor, Electrolytic, 3300MFD-63V
023020-000	Capacitor, 3300 μ f, 35V
022840-000	Capacitor, 4700 μ f, 50V
025204-000	Control, 18-SER, 100K Ohm, RAx2
025206-000	Control, 18-SER, 10K Ohm, RA w/T60%
025207-000	Control, F-Shaft, 10K Ohm, RA
025208-000	Control, F-Shaft, 250K Ohm, Aud
025209-000	Control, F-Shaft, 250K Ohm, Lin
025210-000	Jack, Input, TJ065-080-01
025212-000	Jack, Input, TJ253-020-02
022923-000	Jack, Headphone
025214-000	Pin-Jack (for Reverb), P254P-4
025223-000	Fuse Clip, F-208
022924-000	Fuseholder -
025234-000	Front Panel, SK-15
025235-000	Front Panel, SK-25R
025236-000	Front Panel, SK-35R
025238-000	Front Panel, SK-65R
025240-000	Front Panel, SK-35B
025241-000	Front Panel, SK-65B
025242-000	Front Panel, Stage Lead II
025243-000	Front Panel, Stage Lead II, 2-12"

NEW SIDEKICK SERIES REPLACEMENT PARTS LIST

Page 2 of 2

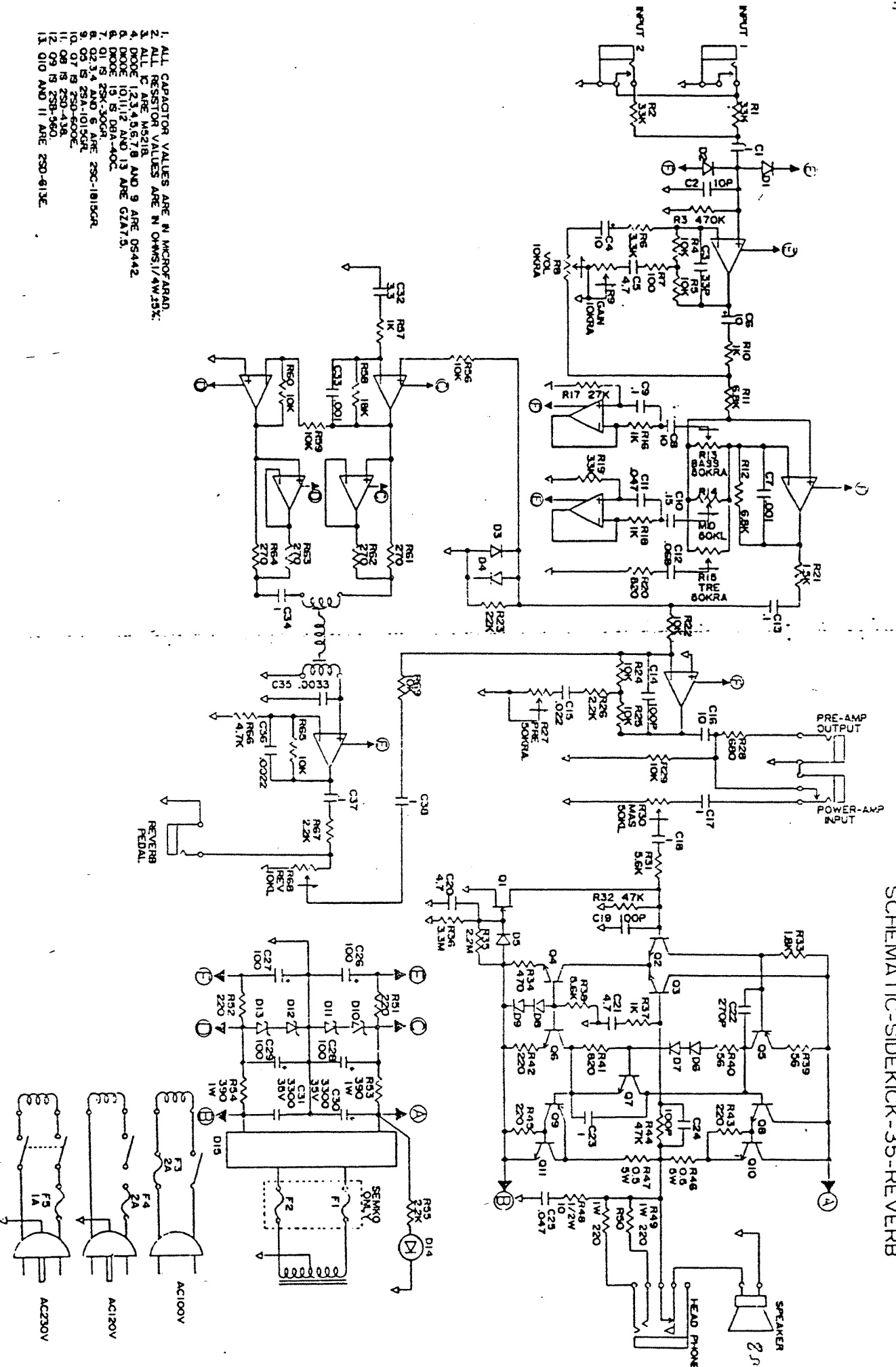
<u>PART NUMBER</u>	<u>DESCRIPTION</u>
025244-000	Rear Panel, SK-15
025246-000	Rear Panel, Sk-25R
025248-000	Rear Panel, SK-35R
024249-000	Rear Panel, SK-65R
025250-000	Rear Panel, SK-35B
025251-000	Rear Panel, SK-65B
025253-000	Rear Panel, Stage Lead II
025255-000	Rear Panel, Stage Lead II, 2-12"
025269-000	Reverb Pan, SR01542C
025273-000	Footswitch, FT-1
025274-000	Footswitch, FT-2
025279-000	Power Switch, CTA-01 CSA
025280-000	Channel Switch, ESS2207
022935-000	Power Switch, WK-2A44
025275-000	Transformer, Power, F2158UC
025276-000	Transformer, Power, F-168UC
025277-000	Transformer, Power, F-1008UC
023029-000	Transformer, Power, SK-25, 20VC
023054-000	Transformer, Power, SK-35, 30VC
025287-000	Connector, Flat, 5273-05A
025289-000	Connector, Flat, CMSP-3004
025290-000	Connector, Flat, 5045-10A
025291-000	Connector Housing, 5051-10
025292-000	Connector Housing, 5239-05A
025293-000	Connector Housing, 0640-4004
025295-000	Connector Terminal, 5159TL
025297-000	Connector Terminal, 5167TL
025298-000	Contact, 17401-M2
025300-000	Knob, FK-2
025303-000	Cabinet, SK-15
025305-000	Cabinet, SK-25R
025306-000	Cabinet, SK-35R
025315-000	Cabinet Foot, PFSK-15
025316-000	Glide Assembly, PFSK-25
025317-000	Glide Assembly, PFSK-50
025356-000	Manual, Owner's, Sidekick Guitar Amplifiers
025357-000	Manual, Owner's, Sidekick Bass Amplifiers
	Manual, Owner's, Stage Lead II Amplifiers
025362-000	Circuit Diagram, SK-25R
025363-000	Circuit Diagram, SK-35R
025364-000	Circuit Diagram, SK-65R
025365-000	Circuit Diagram, SK-35B
025366-000	Circuit Diagram, SK-65B

SCHEMATIC-SIDEKICK-15

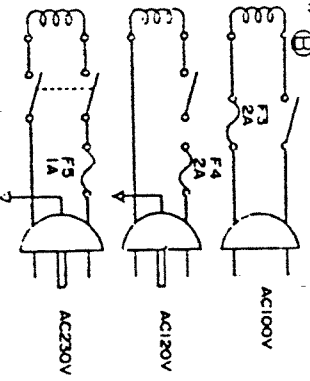


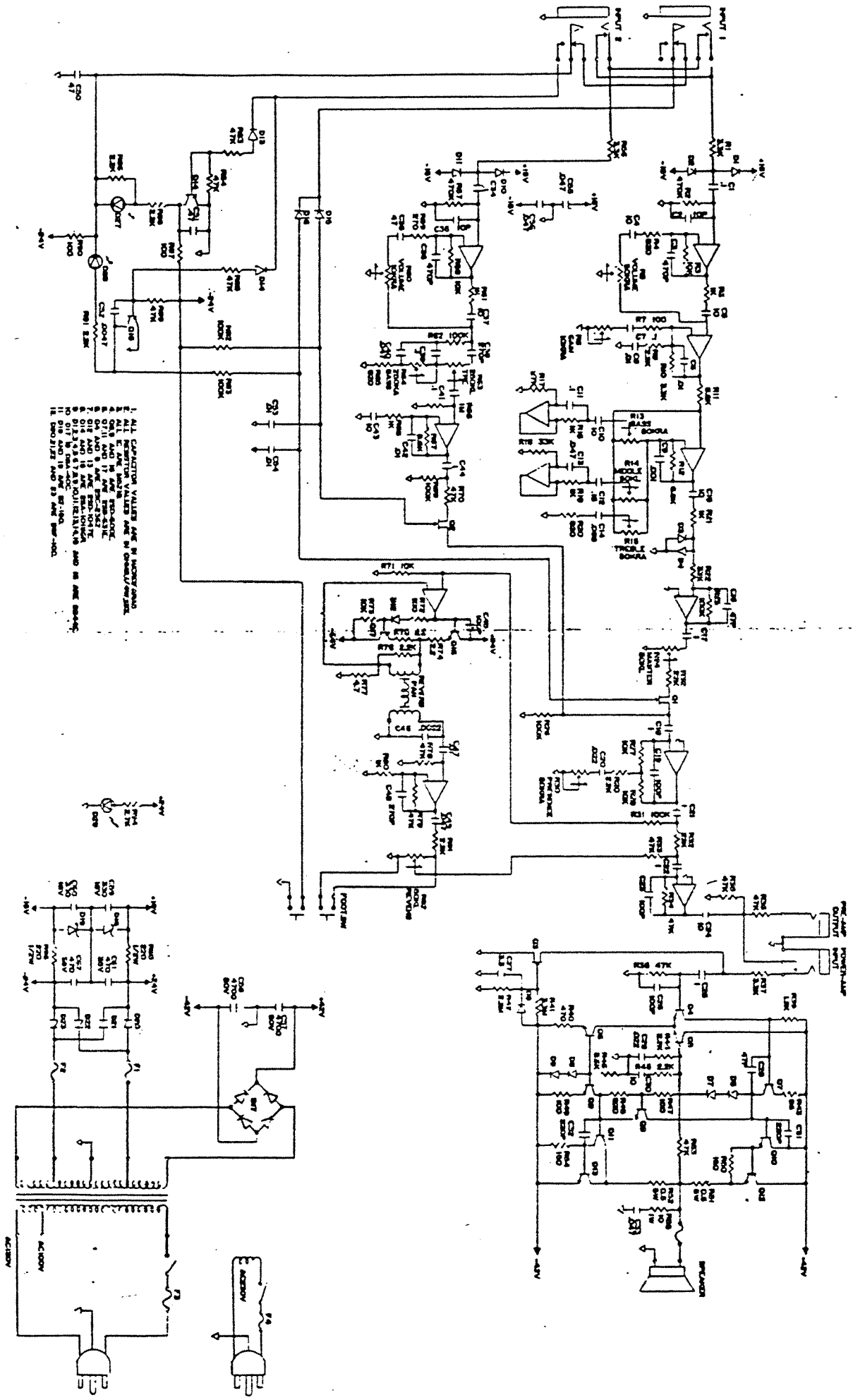
1. ALL CAPACITOR VALUES ARE IN MICROFARAD.
2. ALL RESISTOR VALUES ARE IN OHMS, $1/4W$, $\pm 5\%$.
3. ALL C ARE M5218.
4. DIODE 1,2,3,4,5,6,7,8 AND 9 ARE DS442.
5. DIODE 10 IS W02.
6. Q1 IS 25K-30GR.
7. Q2,3 AND 5 ARE 25C-1815GR.
8. Q4 AND 6 ARE 25A-1015GR.
9. Q7 AND 8 ARE 25D-313E.

SCHEMATIC-SIDEKICK-35-REVERB

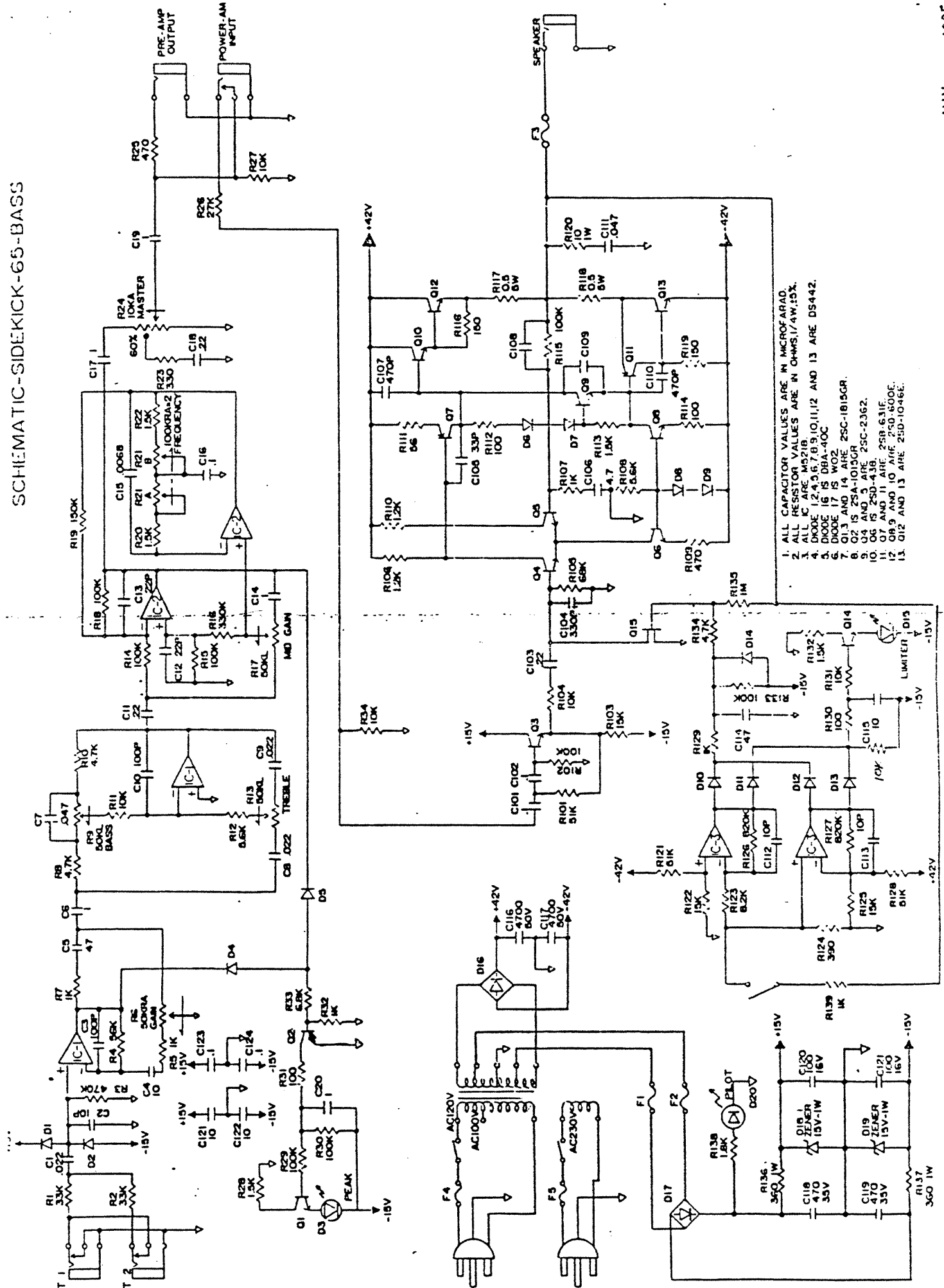


- 1. ALL CAPACITOR VALUES ARE IN MICROFARAD.
- 2. ALL RESISTOR VALUES ARE IN OHMS/1W/5%.X.
- 3. ALL R ARE 1/4W/5%.
- 4. DROPE 1,2,3,4,5,6,7,8 AND 9 ARE 05442.
- 5. DROPE 10,11,12 AND 13 ARE CZAT.5.
- 6. DROPE 14 IS DBA-40C.
- 7. 01 IS 25K-30GR.
- 8. 02,3,4 AND 5 ARE 25C-1015GR.
- 9. 03 IS 25A-1015GR.
- 10. 07 IS 250-600E.
- 11. 08 IS 250-43A.
- 12. 09 IS 25B-360.
- 13. 010 AND 11 ARE 250-013E.





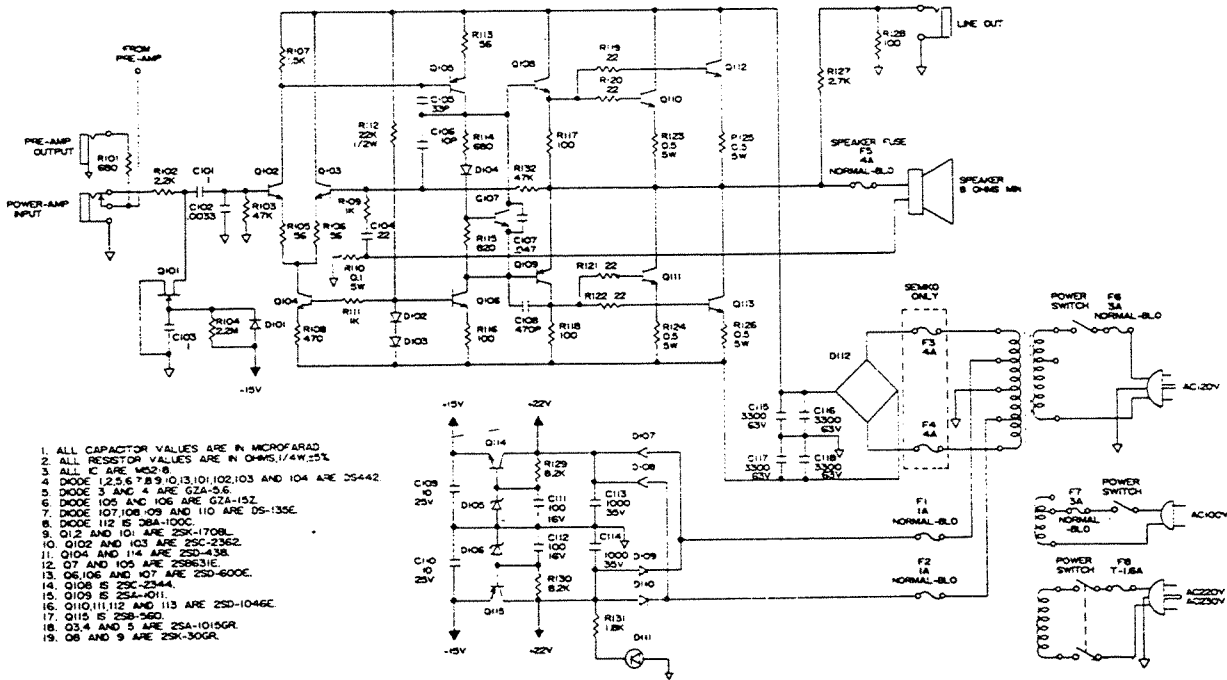
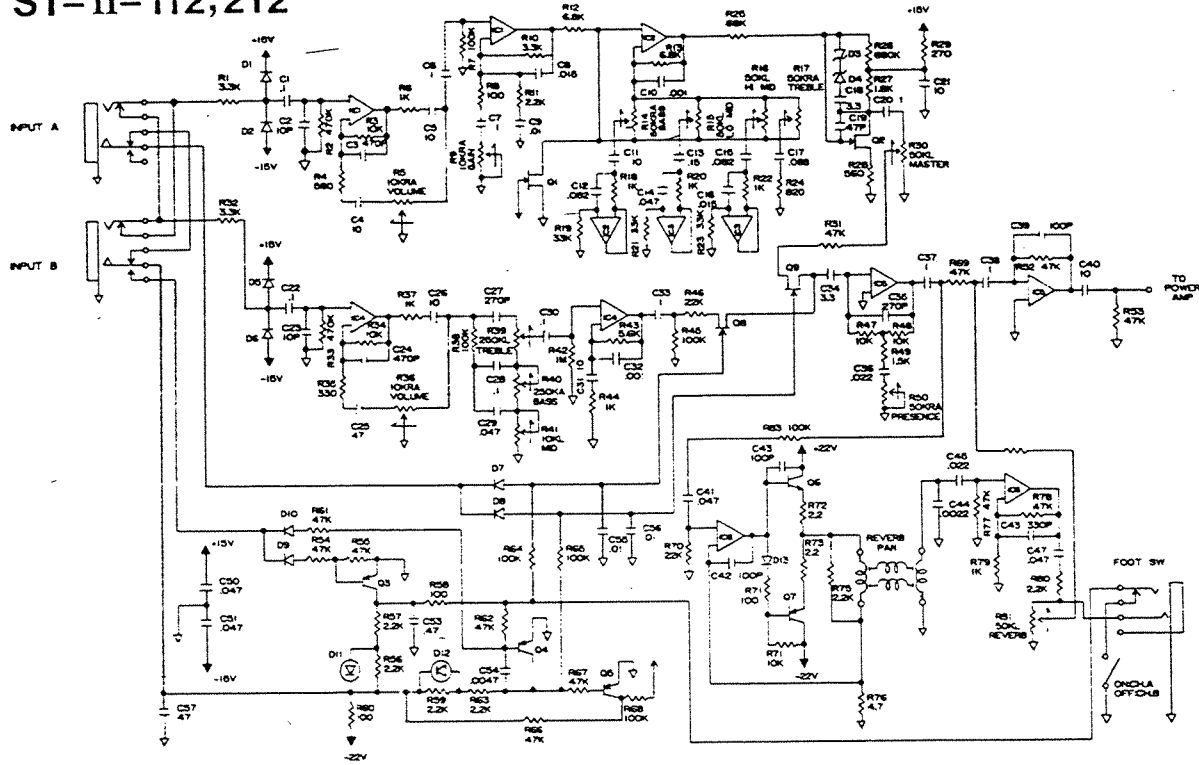
SCHEMATIC-SIDEKICK-65-BASS



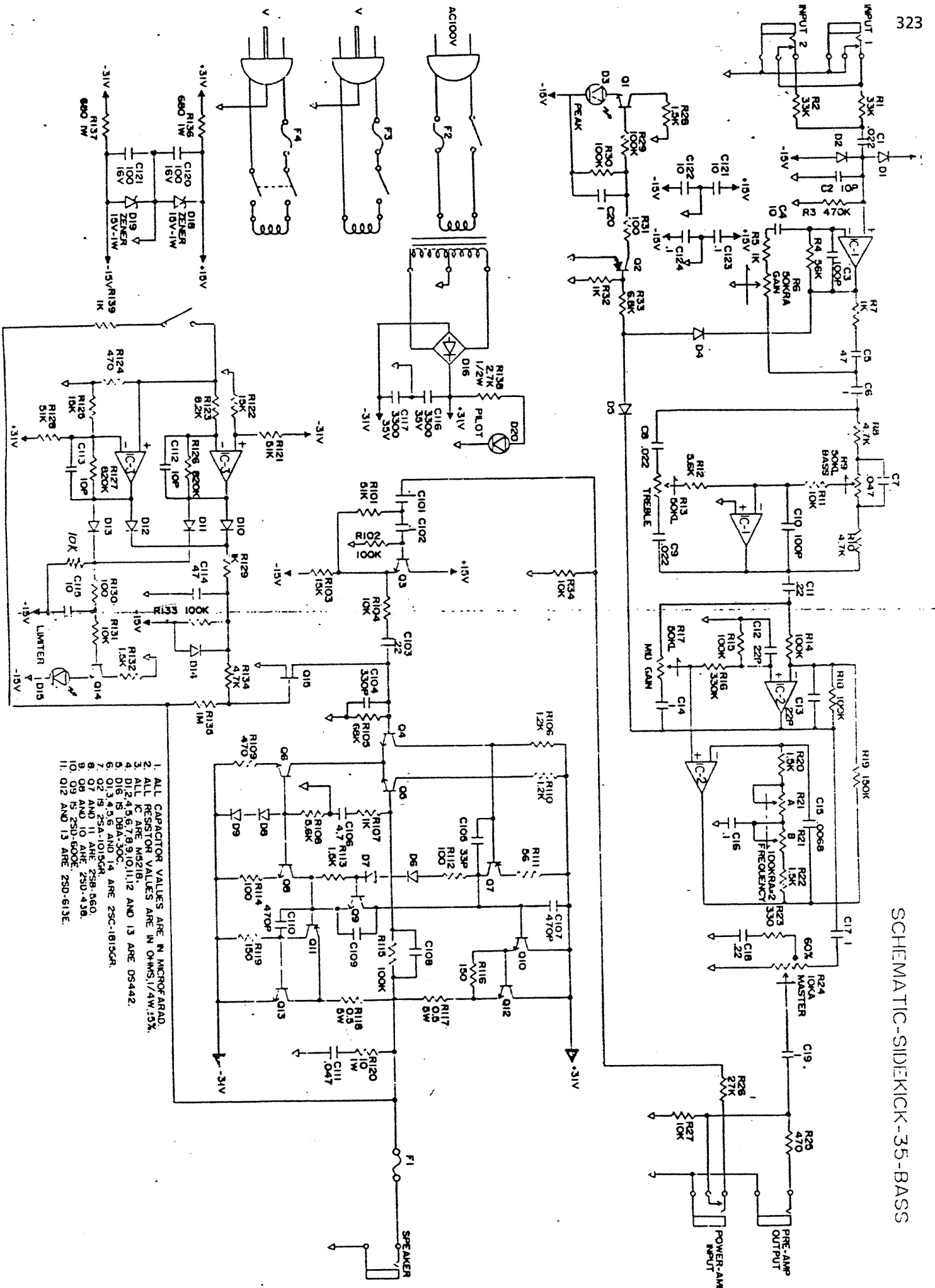
1. ALL CAPACITOR VALUES ARE IN MICROFARAD.
2. ALL RESISTOR VALUES ARE IN OHMS, UNLESS SPECIFIED.
3. ALL 'C' ARE M5218.
4. DIODE 12, 13, 16, 17, 8, 9, 10, 11, 12 AND 13 ARE DS442.
5. DIODE 16 IS DBA-40C.
6. DIODE 17 IS W02.
7. Q1, 3 AND 14 ARE 2SC-1815GR.
8. Q2 IS 2SA-1015GR.
9. Q4 AND 5 ARE 2SC-2362.
10. Q6 IS 2SD-438.
11. Q7 AND 11 ARE 2SB-631F.
12. Q8, 9 AND 10 ARE 2SD-600E.
13. Q12 AND 13 ARE 2SD-1046E.

FENDER STAGE LEAD II AMPLIFIER (2)

ST-II-112,212

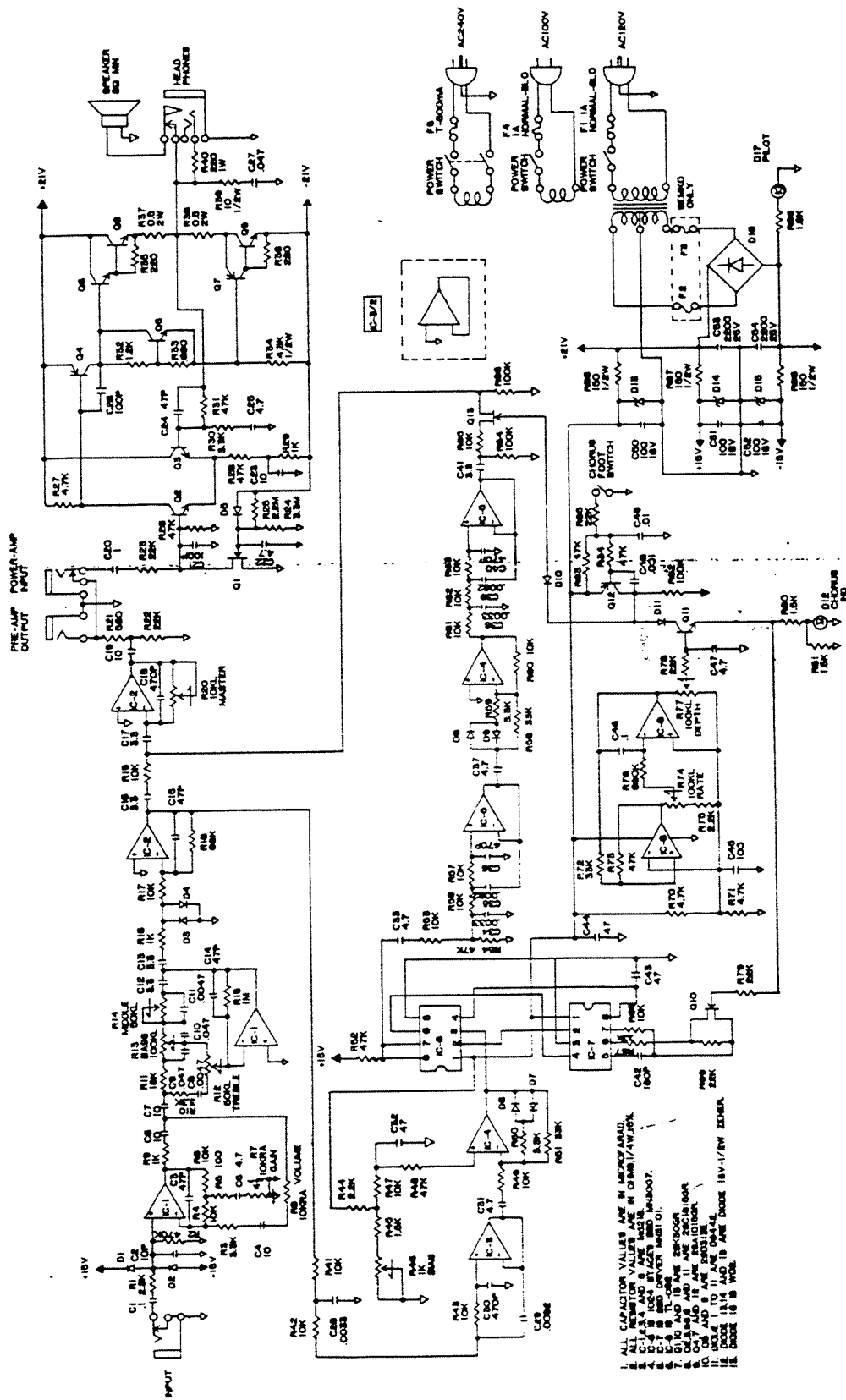


1. ALL CAPACITOR VALUES ARE IN MICROFARAD
2. ALL RESISTOR VALUES ARE IN OHMS, 1/4W, 5%
3. ALL C ARE M32-B
4. DIODE 1,2,5,6,7,8,9,10,11,102,103 AND 104 ARE 25A42
5. DIODE 3 AND 4 ARE G2A-0.6
6. DIODE 105 AND 106 ARE G2A-152
7. DIODE 107,108,09 AND 110 ARE DS-135E
8. DIODE 112 IS 38A-100C
9. Q12 AND 101 ARE 25K-1708L
10. Q102 AND 103 ARE 25C-236Z
11. Q104 AND 114 ARE 25D-43B
12. Q7 AND 105 ARE 258631C
13. Q6,106 AND 107 ARE 25D-600C
14. Q108 IS 25C-254A
15. Q109 IS 25A-011
16. Q110,111,112 AND 113 ARE 25D-1046C
17. Q115 IS 25B-56D
18. Q3,4 AND 5 ARE 25A-1015GR
19. Q6 AND 9 ARE 25K-300R

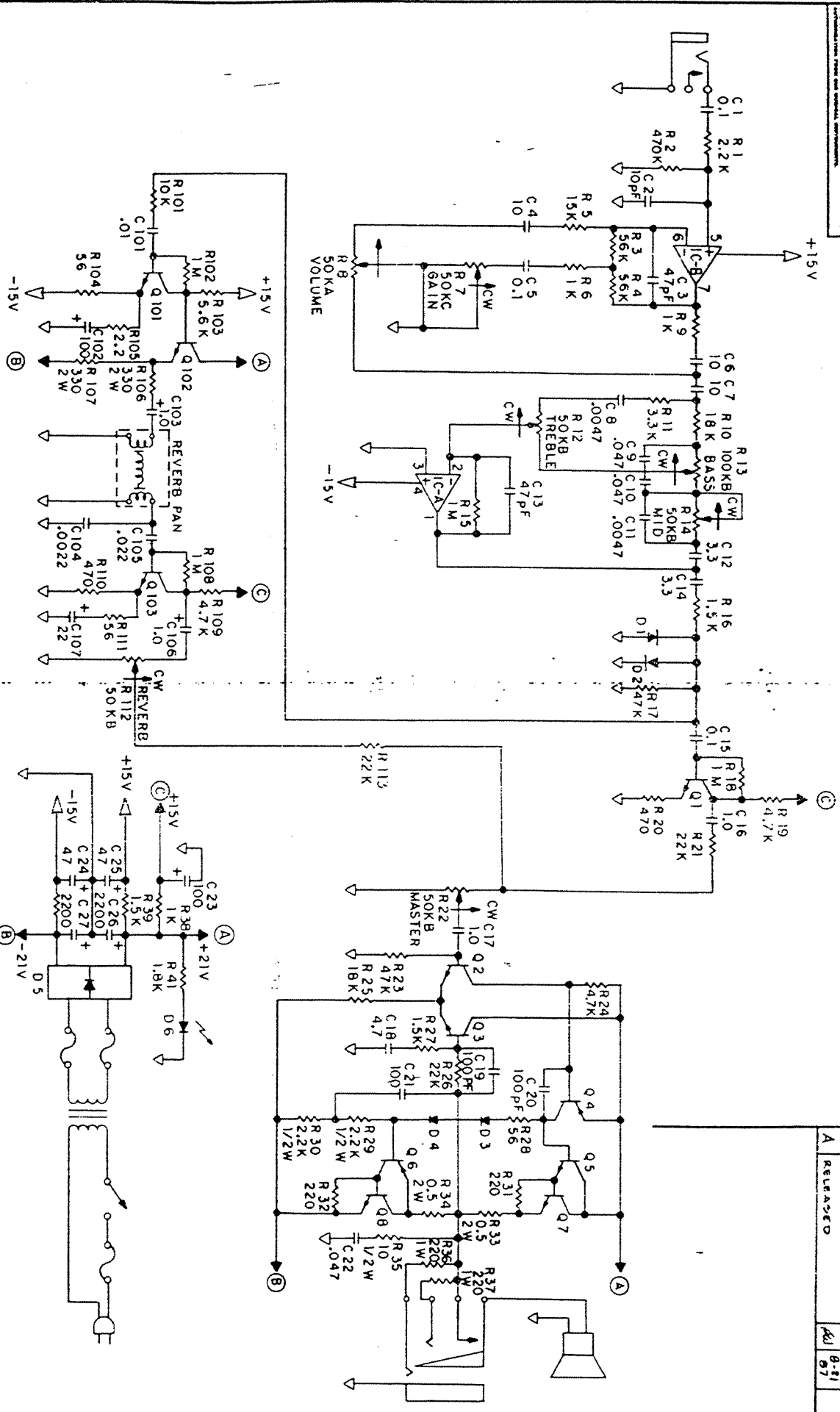


SCHEMATIC-SIDEKICK-35-BASS

FENDER SIDEKICK 15 CHorus AMPLIFIER (2)



See Additional Information on Page 44 of Product and Service Manual
 This Schematic and Parts List are for the Fender Rhodes R & D Eng. before starting production.
 All dimensions are in inches unless otherwise specified.



HEAT TREATMENT: _____
 UNLESS OTHERWISE SPECIFIED: _____
 SAMPLES OF FIRST ARTICLE PARTS MUST BE APPROVED BY FENDER ROGERS RHODES R & D ENG. BEFORE STARTING PRODUCTION

TOLERANCES		OWN	DATE
FRACTIONS	± 1/32	CHK	8/11/67
XX	± 0.10	CHK	
XXX	± 0.05	MTE	
ANGLES	± 1/2°	MTE	
FRACTIONS - WOOD	± 1/16"	MTE	
HOLES - COMED	+ .003 - .000	MTE	
BEND ANGLES	± 1°	MTE	
HOLES - DRILLED & PIERCED	+ .003 - .001	MTE	
DRAFT ANGLES	MAX.	MTE	
STRAIGHTNESS	UNANGLED ANGLES ARE 90°	MTE	
	ALL DIMENSIONS ARE IN INCHES	MTE	
	DO NOT SCALE DRAWINGS	MTE	

ROCKWELL: _____
 FINISH: _____
 MATERIAL: _____
 PART NAME: _____
 RELEASE: _____
 SCALE: _____

SCHEMATIC - SLIDEKICK IS REVERB
 PART NO. 028551
 REV. A

NOTES: UNLESS OTHERWISE SPECIFIED

REV.	REVISIONS	BY	DATE	APPRO.
A	RELEASED	AD	8-97	