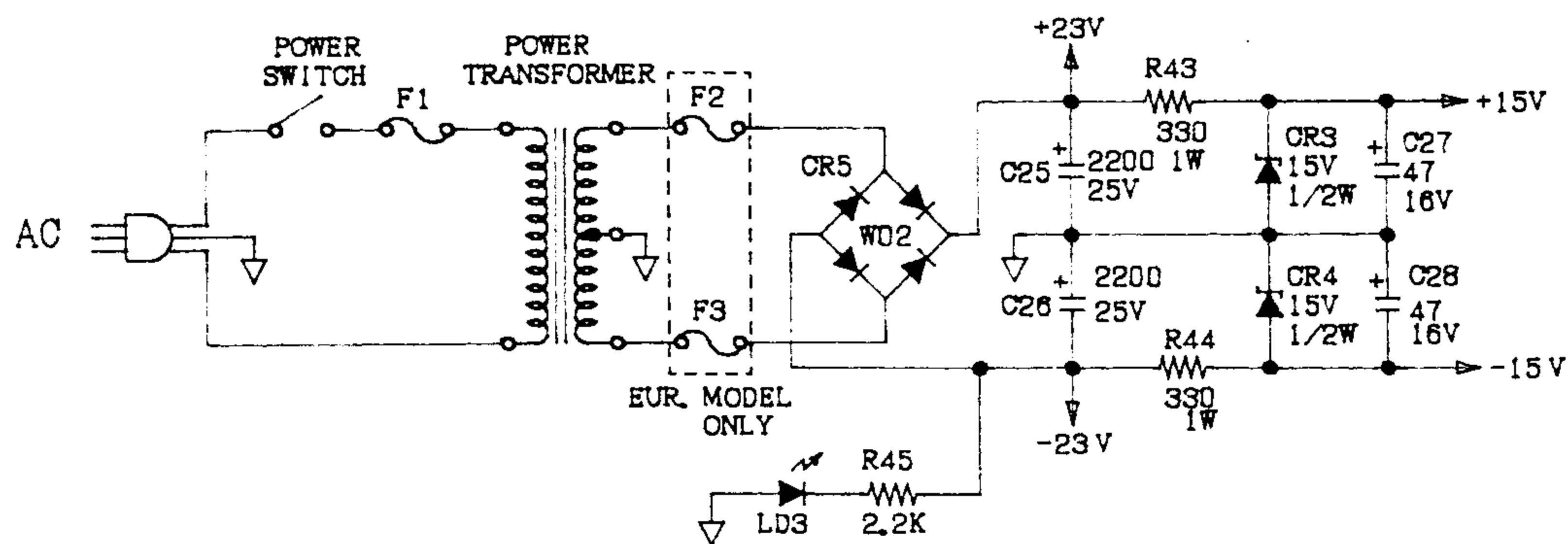
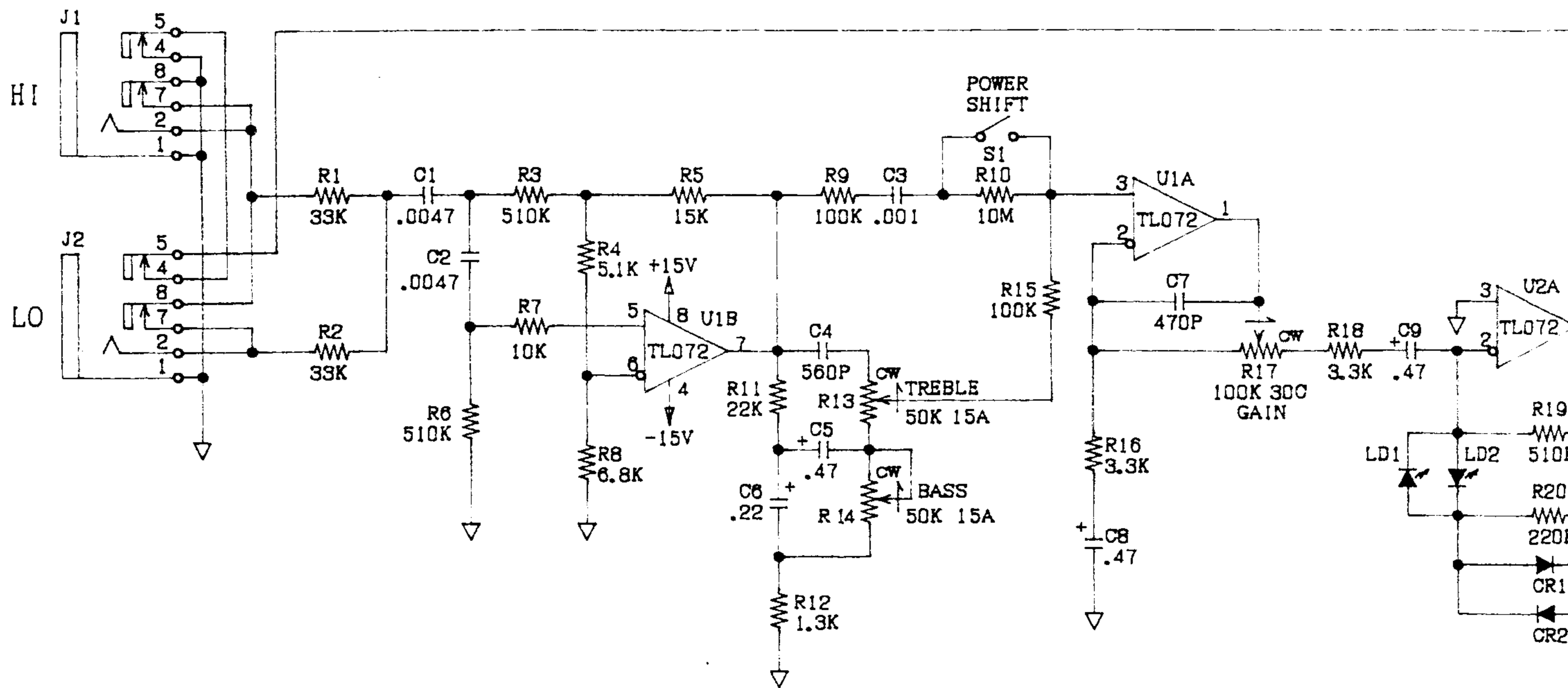
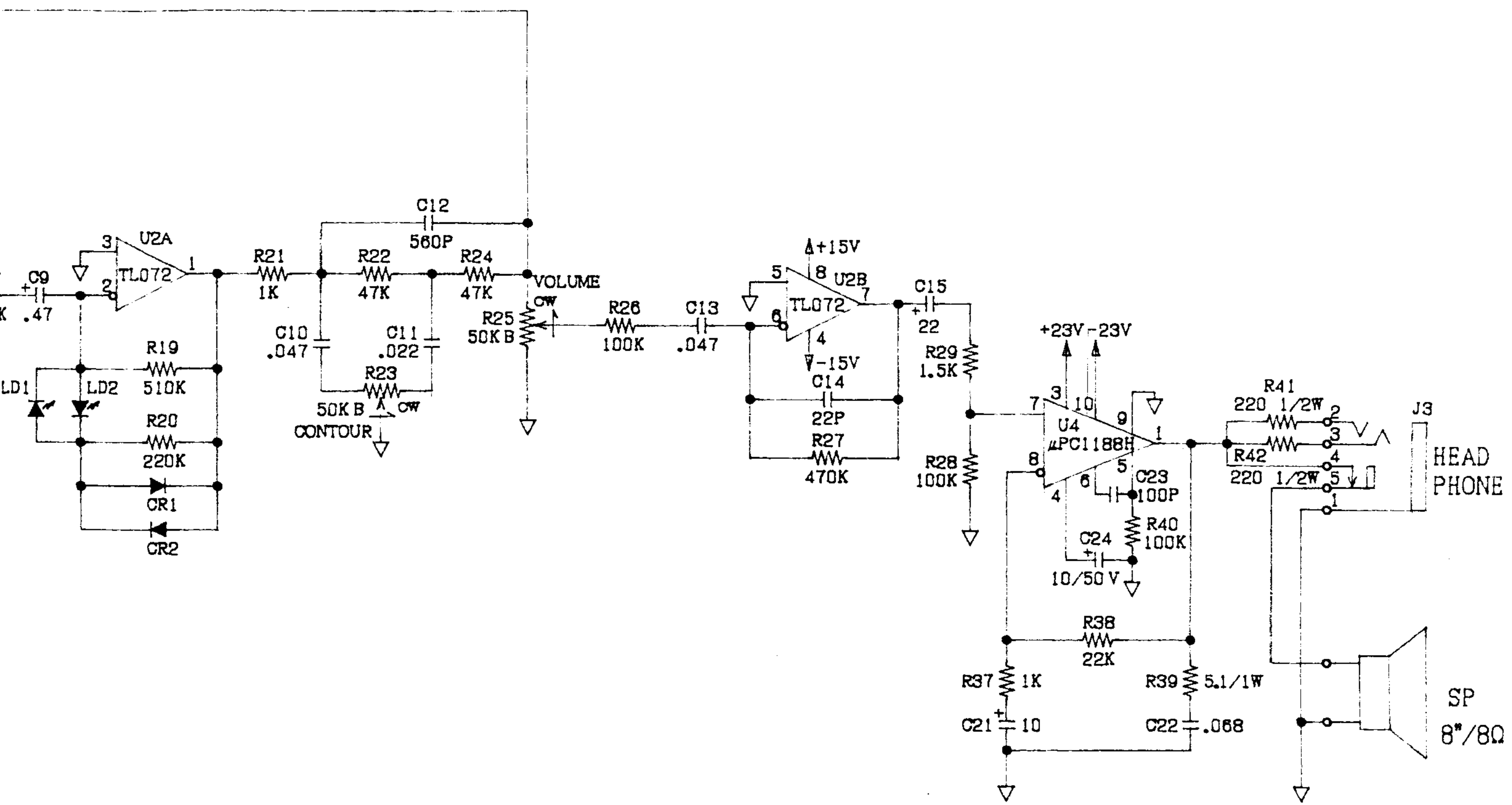


INPUTS



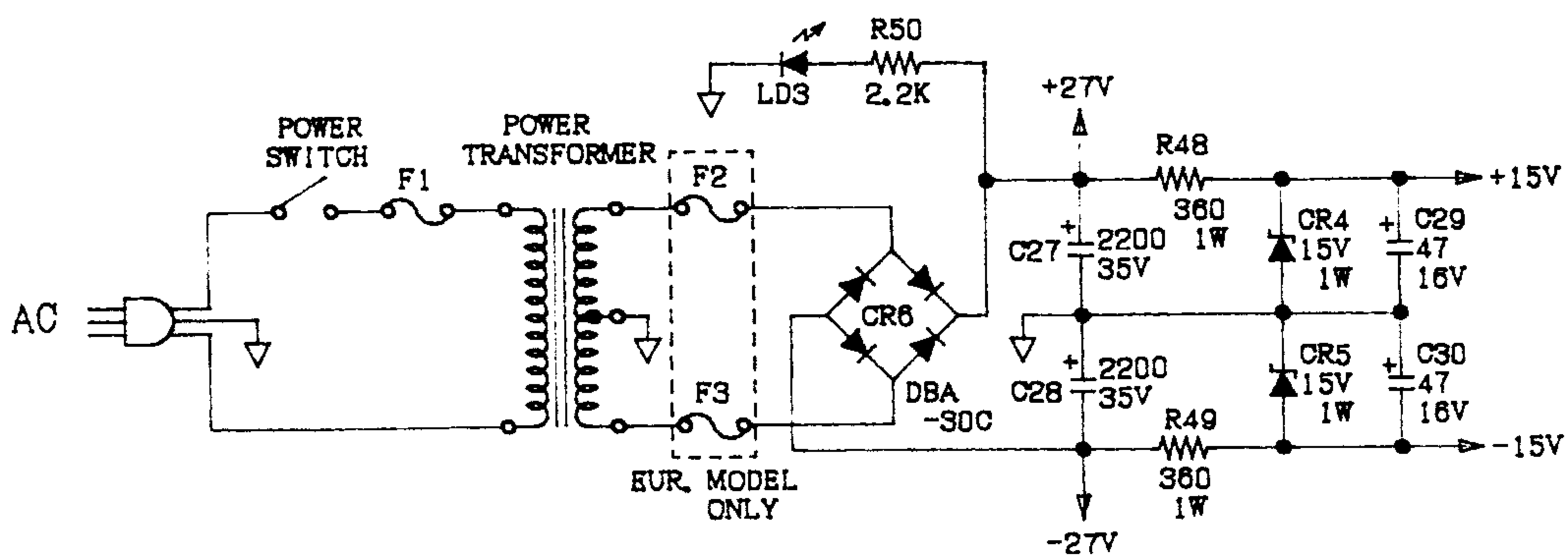
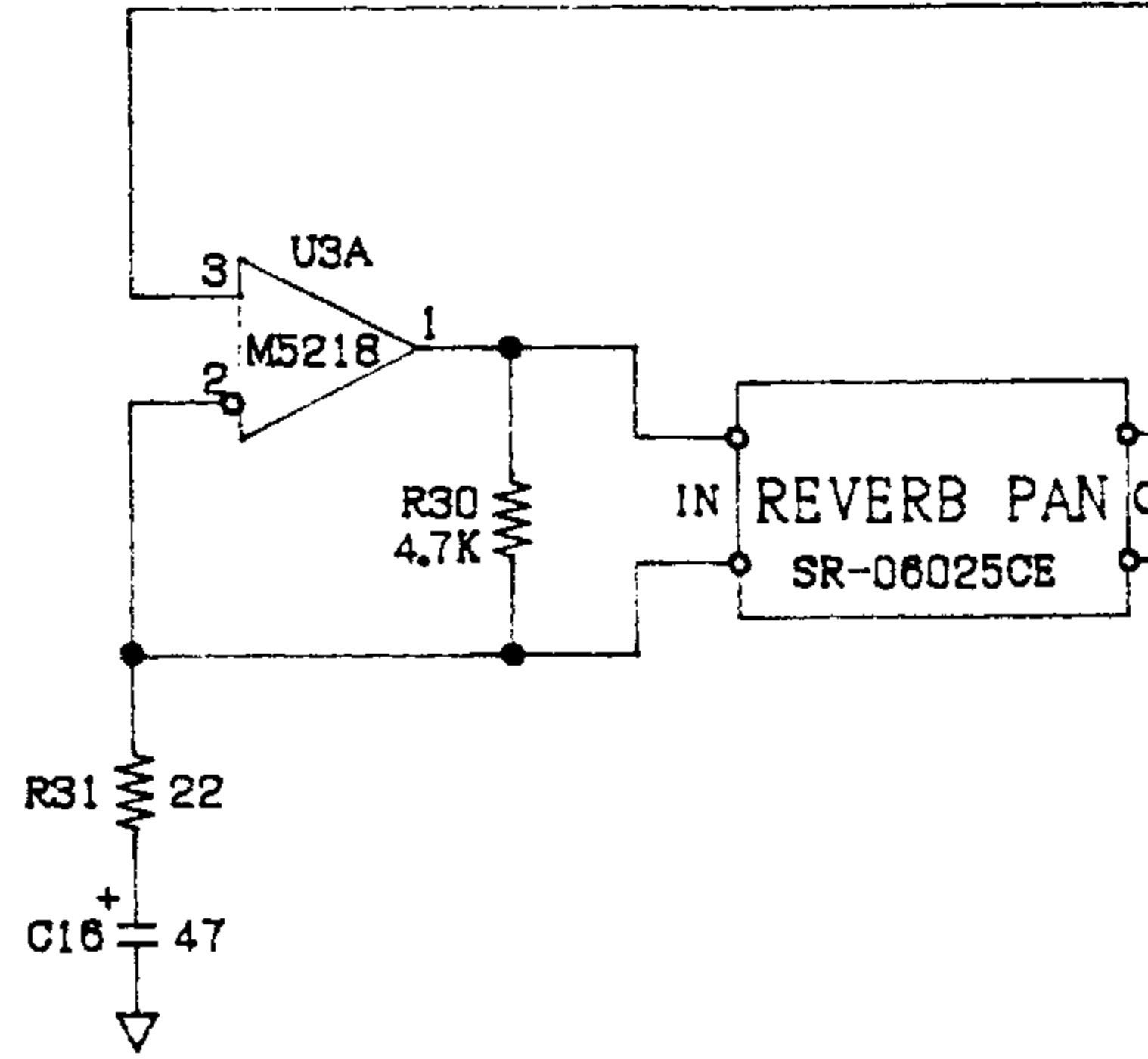
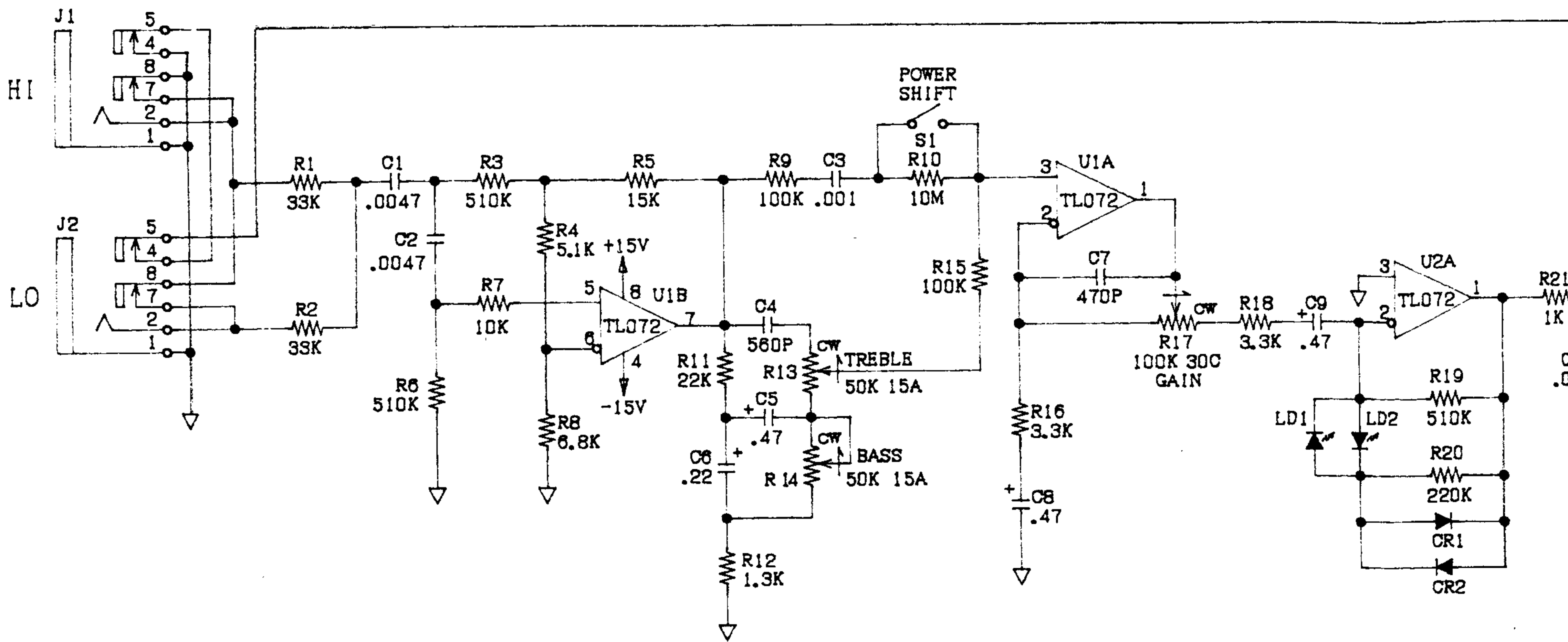
NOTES: UNLESS OTHERWISE SPECIFIED

1. ALL RESISTOR VALUES ARE IN OHMS, 1/4W, ±5%
2. ALL CAPACITOR VALUES ARE IN μFARADS, 25V

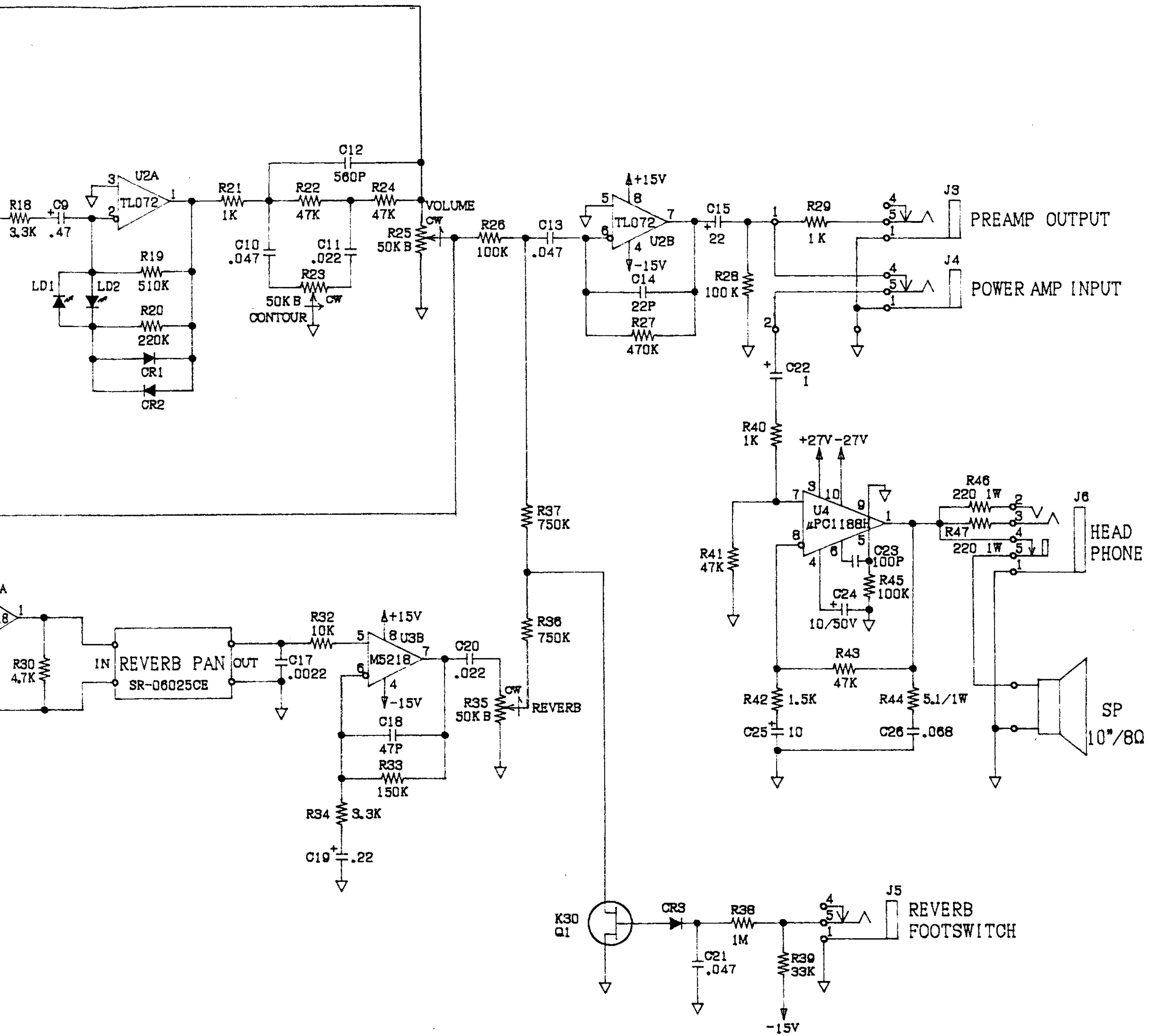


SKX-15 SCHEMATIC

INPUTS

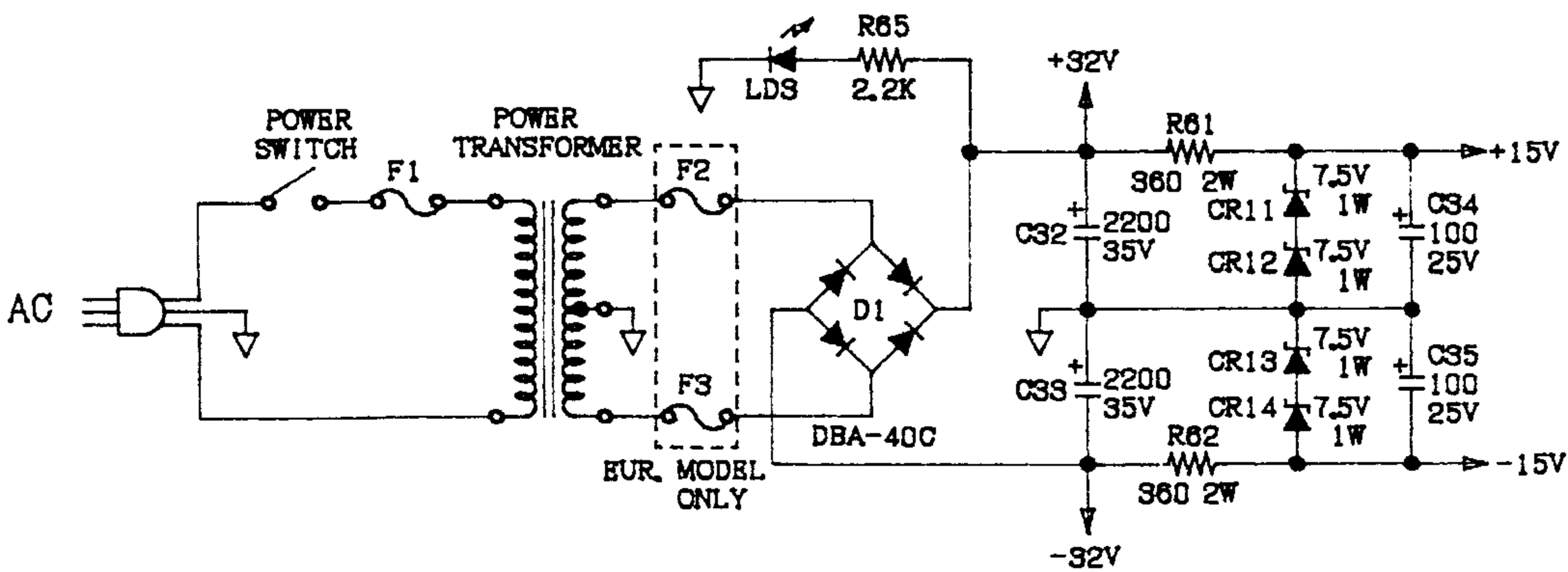
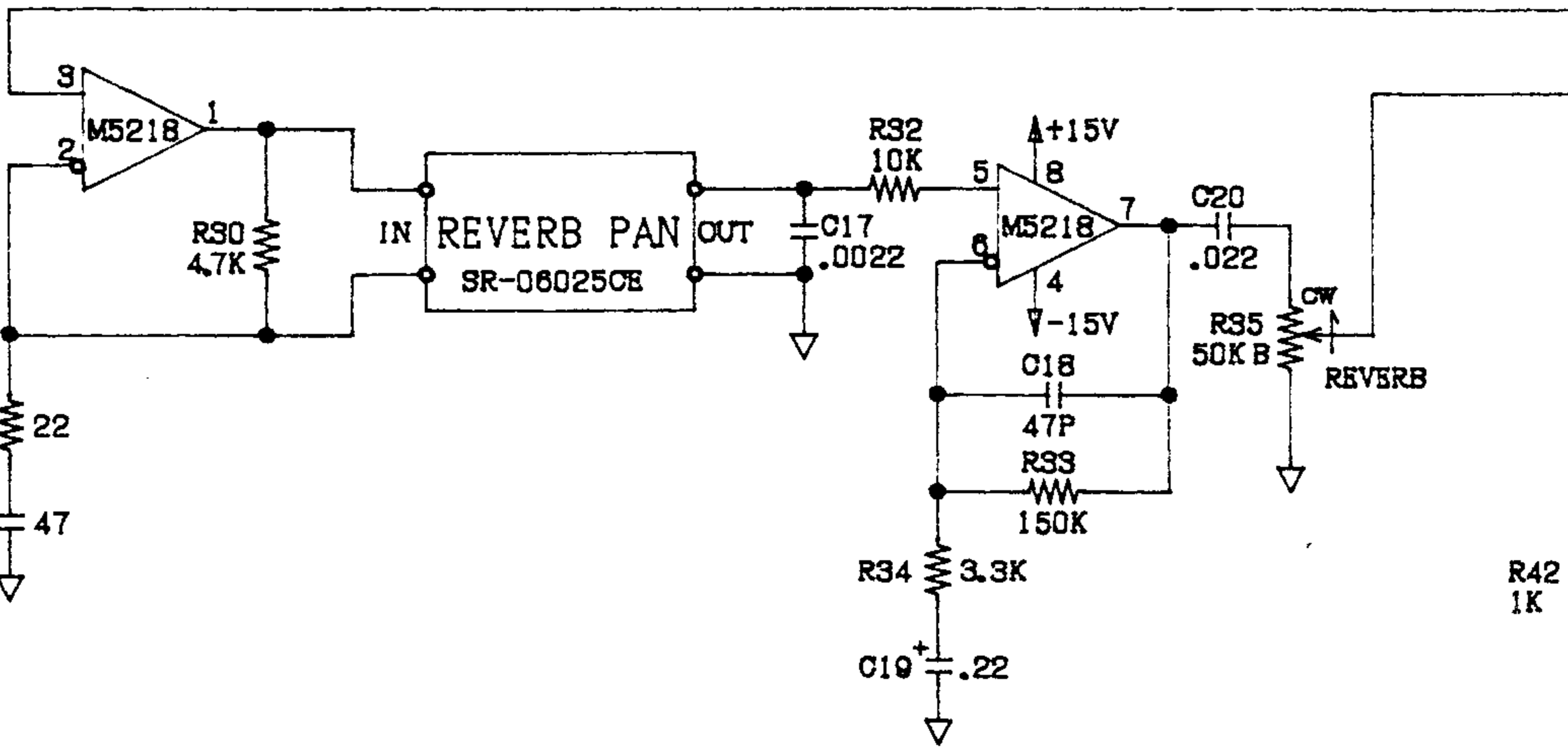
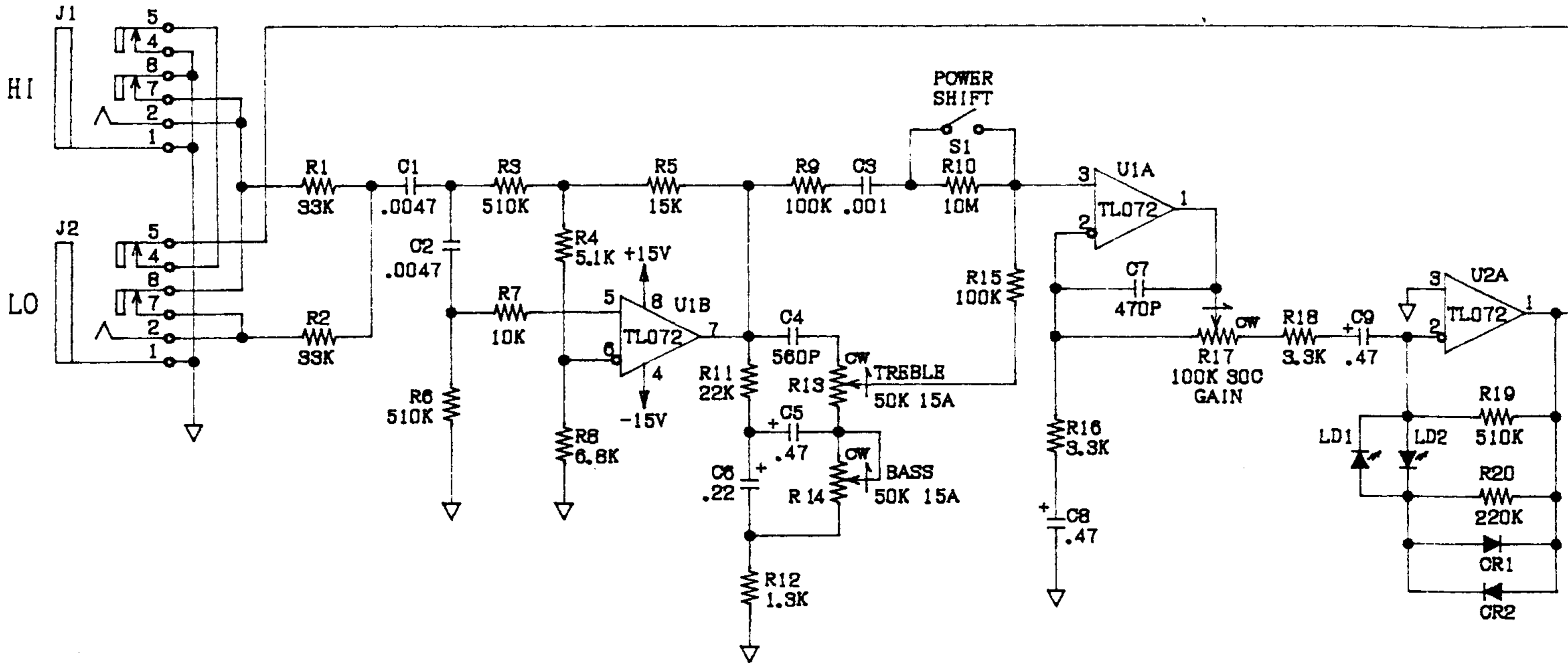


- NOTES: UNLESS OTHERWISE SPECIFIED
 1. ALL RESISTOR VALUES ARE IN OHM, 1/4W, ±5%
 2. ALL CAPACITOR VALUES ARE IN μFARADS, 25V

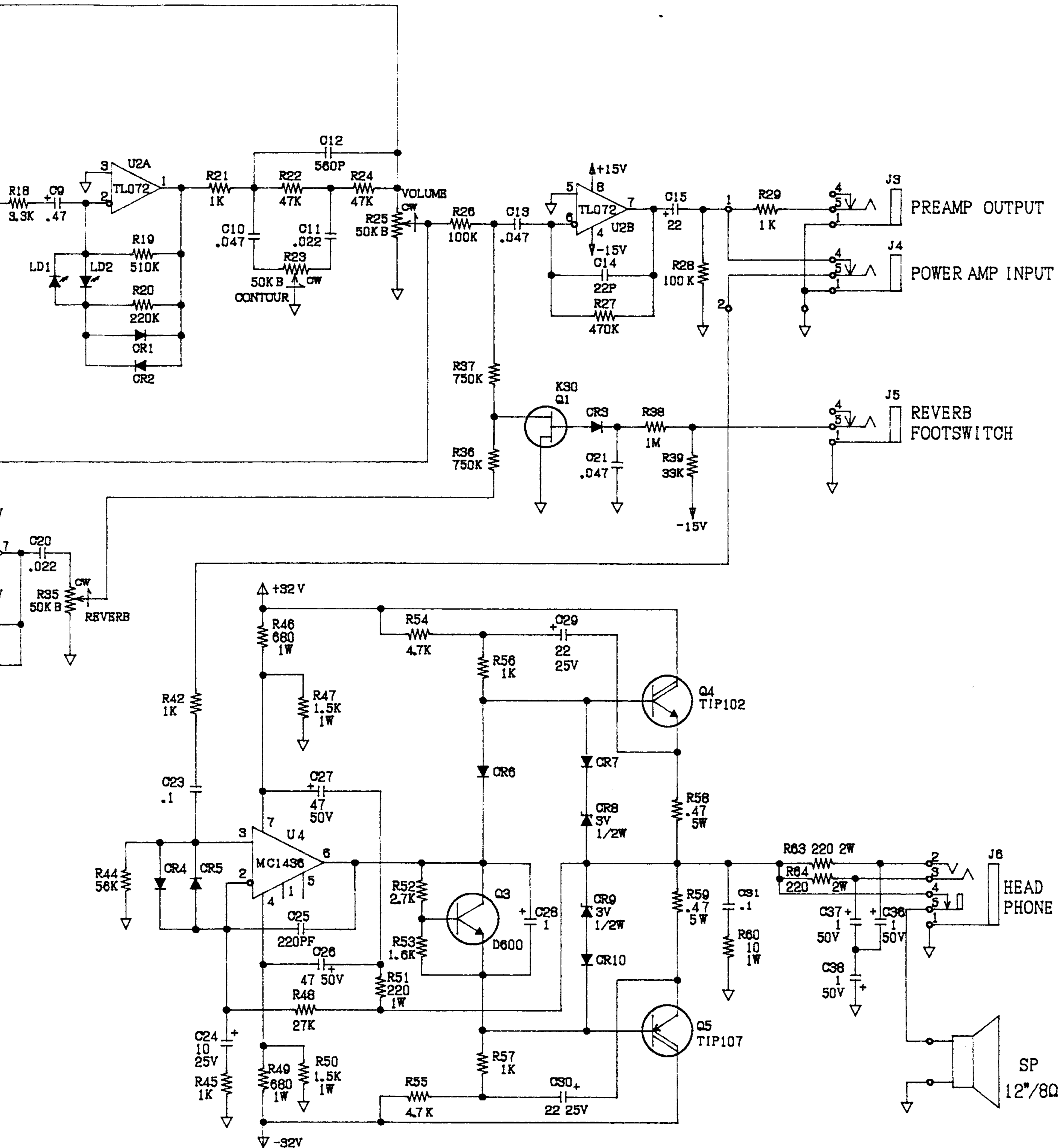


SKX-25R SCHEMATIC

INPUTS



- NOTES: UNLESS OTHERWISE SPECIFIED
1. ALL RESISTOR VALUES ARE IN OHM, 1/4W, ±5%
 2. ALL CAPACITOR VALUES ARE IN μFARADS, 25V



SKX-35R SCHEMATIC

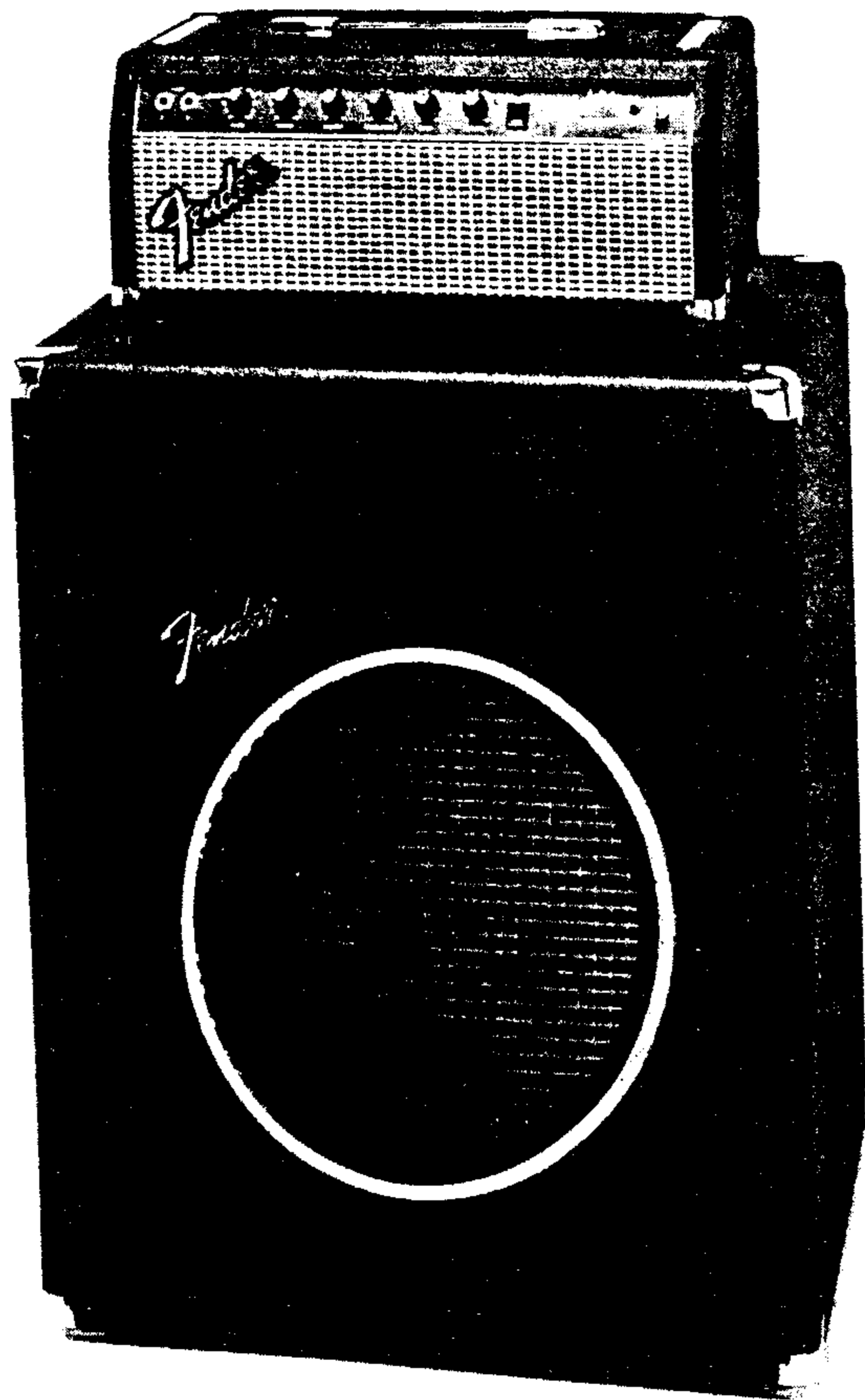
Fender® Facts

1130 COLUMBIA STREET

BREA, CALIFORNIA 92621

**NEW
PRODUCT
UPDATE**

SIDEKICK 100B HEAD AND ENCLOSURE



FEATURES

(Front Panel)

- 2 Inputs
- Input Gain and Peak Indicator
- Treble, Middle, Frequency, Bass
- Master Volume with "Compensation"
- Limiter ON/OFF and LED Indicator
- ON/OFF Switch

(Rear Panel)

- Pre-Amp Output
- Power Amp Input
- 2 Speaker Outputs

SPECS

Power Output: 100 watts @ 4 ohms

Height: Head 7½" (19 cm)

Encl 28½" (71.7 cm)

Width: Head 18¾" (47.6 cm)

Encl. 23½" (59.7 cm)

Depth: Head 10¼" (26 cm)

Encl. 15¾" (40 cm)

Weight: Head 22 lbs. (10 kg)

Encl. 66 lbs. (30 kg)

Speaker: 1x15" (Made in U.S.A.)

Cabinet: Closed Back Tapered Port with
Slanted Speaker Baffle

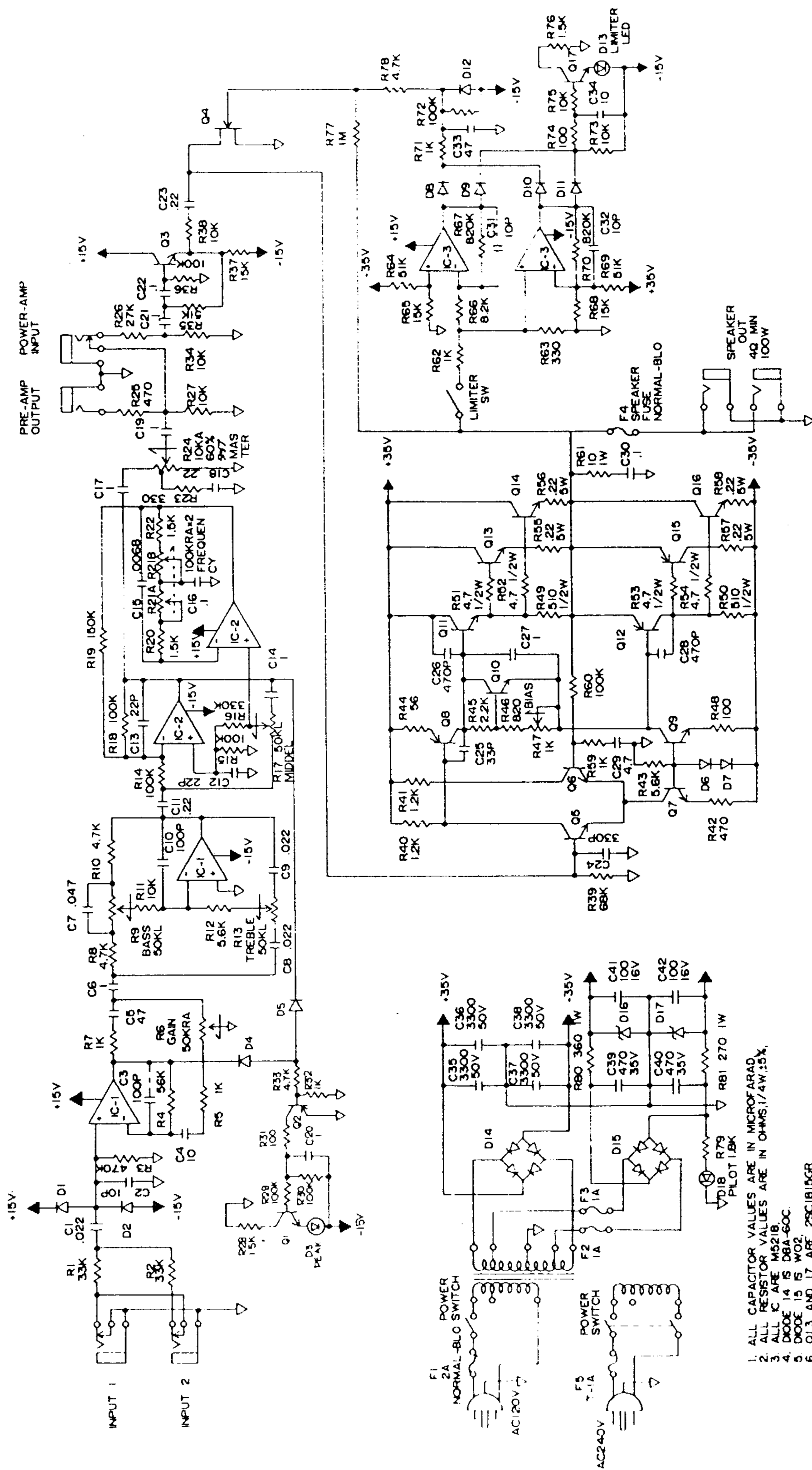
Part Number: Head 231800 Export 231850

Encl. 231802

The **SIDEKICK 100B** reflects the Fender tradition of a compact and powerful bass amplifier in a "piggy-back" package. The head has two (2) Input Jacks, with Jack 2 having half the sensitivity of Jack 1; this is ideal for bass guitars with active electronics and higher output. An Input Gain control with Peak LED Indicator can adjust the amount of gain in the pre-amp circuit; this prevents pre-amp clipping and allows optimum performance of the amplifier. The Master Volume controls the overall volume. Included in the Master Volume is a new "Compensation" feature which provides enhanced bass response at low volume, and then becomes "fat" as the level increases. The active tone controls, Treble, Bass

and Sweepable Midrange (Middle and Frequency) will produce a varied tonal range. A Limiter with ON/OFF switch and LED Indicator automatically prevents clipping of the power amp. The rear panel has Pre-Amp Output, Power Amp Input, Speaker and Primary Fuses and 2 Speaker Jacks (100 watts @ 4 ohms). A new "tapered port" Enclosure incorporates a slanted speaker baffle to improve low frequency response and the player's ability to hear mid-range and treble frequencies. The Enclosure and 15" speaker are both made in the U.S. and use Fender's durable Tolex and high grade corner and handle hardware.

FENDER SIDEKICK 100B HEAD AMPLIFIER (2)



1. ALL CAPACITOR VALUES ARE IN MICROFARAD
2. ALL RESISTOR VALUES ARE IN OHMS, 1/4W, 5%
3. ALL C ARE M5218
4. DIODE 14 IS DBA-60C
5. DIODE 15 IS W02
6. Q1,3 AND 17 ARE 29C1815GR
7. Q2 IS 2SA1015GR
8. Q4 IS 29C30GR
9. Q6,6 AND 7 ARE 29C2362
10. Q8 IS 29C631E
11. Q9 AND 10 ARE 29D600E
12. Q11 IS 29D613E
13. Q12 IS 29D633
14. Q13,14,15 AND 16 ARE 2SD1046
15. DIODE 16 AND 17 ARE 15V-1W ZENER