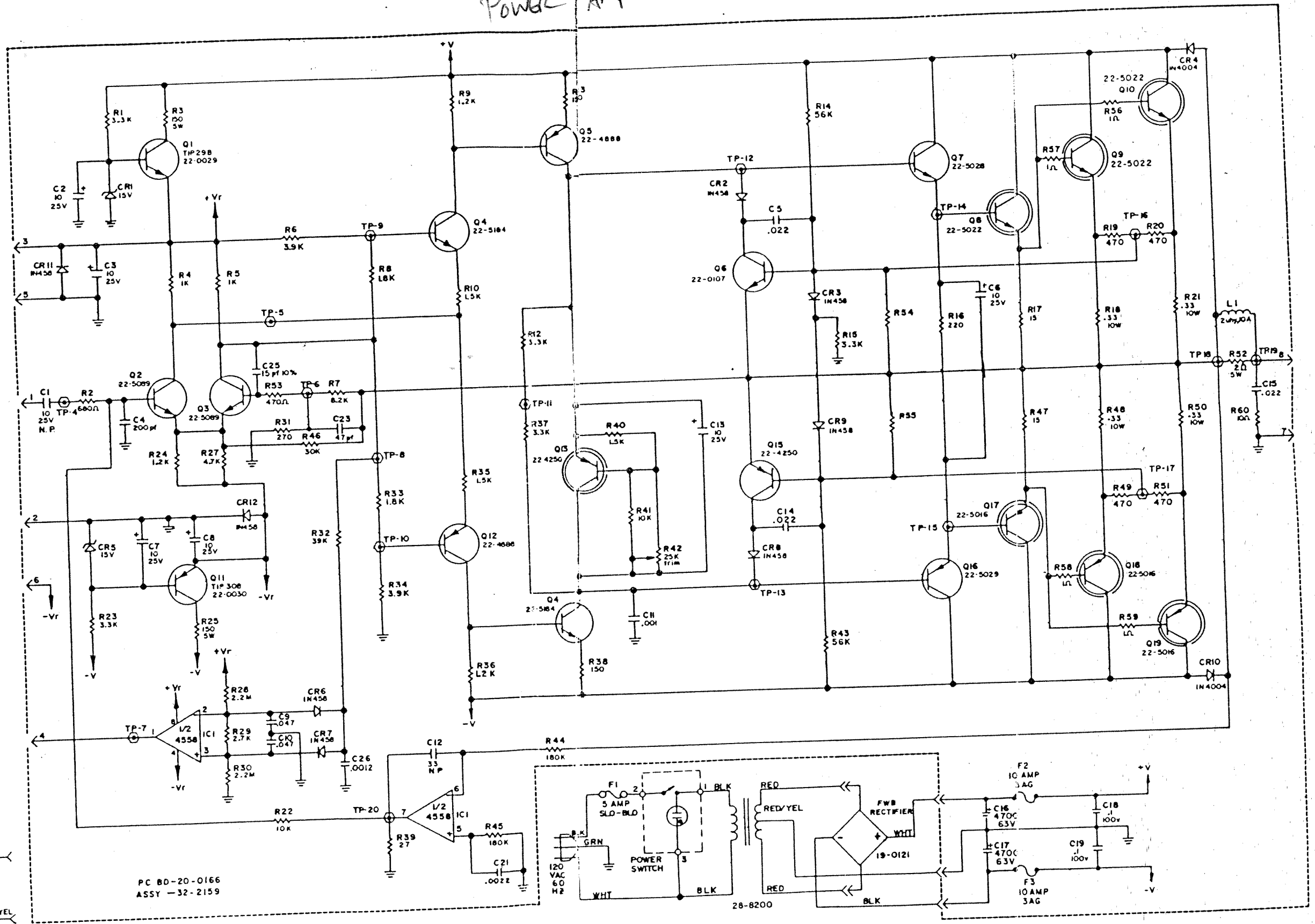
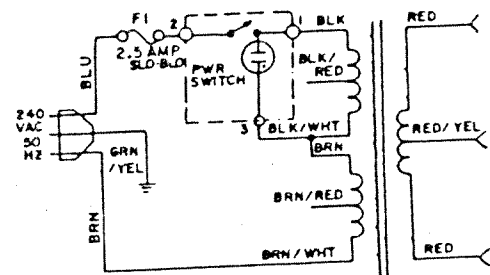


Power Amp



PC BD-20-0166
ASSY -32-2159



UNLESS OTHERWISE NOTED :
1.) ALL RESISTORS 1/2 W, 5%, VALUE IN OHMS
2.) ALL CAPACITORS NON-POLAR, VALUE IN MICROFARADS