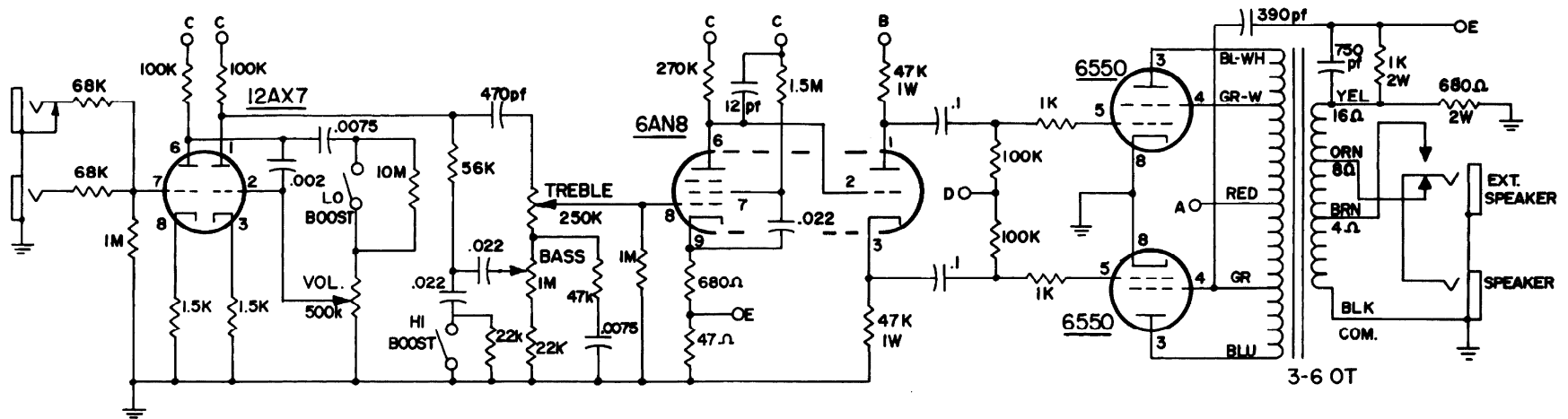
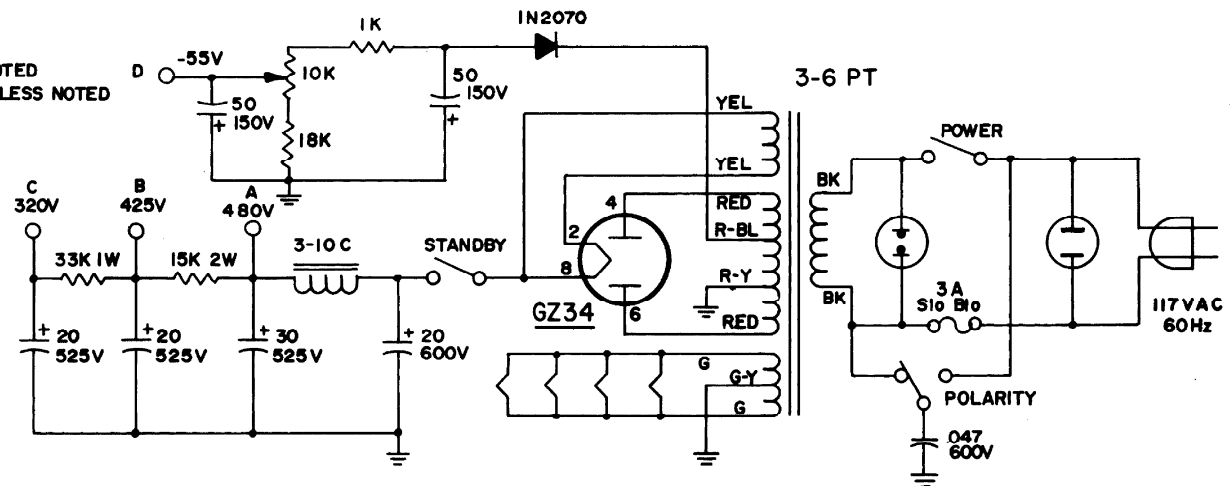


# SONIC II/1-40/200s/SORADO

Sunn



NOTES:  
RESISTORS 1/2W 10% UNLESS NOTED  
CAPACITORS ARE MICROFARADS UNLESS NOTED



MODELS

- SONIC II
- 200 S
- SORADO
- SONIC I-40



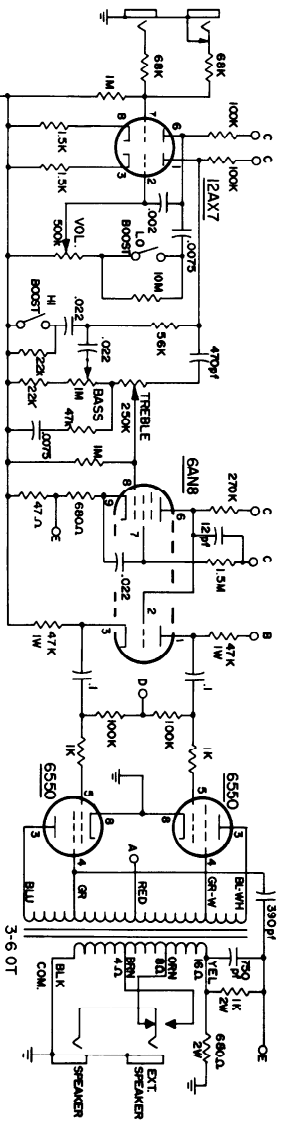
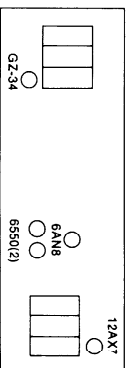
# Sonic II\* 200S Sorado Sonic I-40\*\*

\*Sonic II: Discontinued 4-10-68.  
Two J.B.L. D130F in rear-loading,  
folded horn enclosure.

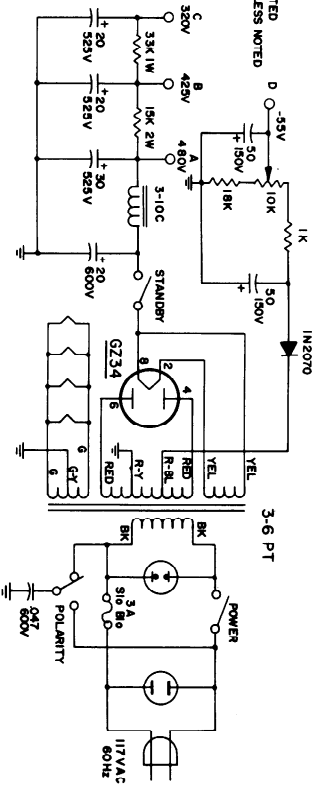
200S: Two J.B.L. D140F (D140F-6  
after 3-1-69) in rear-loading, folded  
horn enclosure.

Sorado: Two 15-inch Sunn trans-  
ducers (Appendix 1) in tuned port  
bass reflex enclosure.

\*\*Sonic I-40: 60 watt chassis  
produced after 5-10-69.  
One J.B.L. D140F (D140F-6 after  
3-1-69) in rear-loading, folded horn  
enclosure.



NOTES:  
RESISTORS 1/2W 10% UNLESS NOTED  
CAPACITORS ARE MICROFARADS UNLESS NOTED



MC DeLS  
Sonic II  
200S  
SORADO  
Sonic I-40