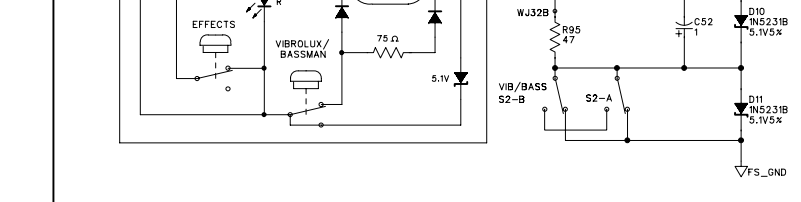
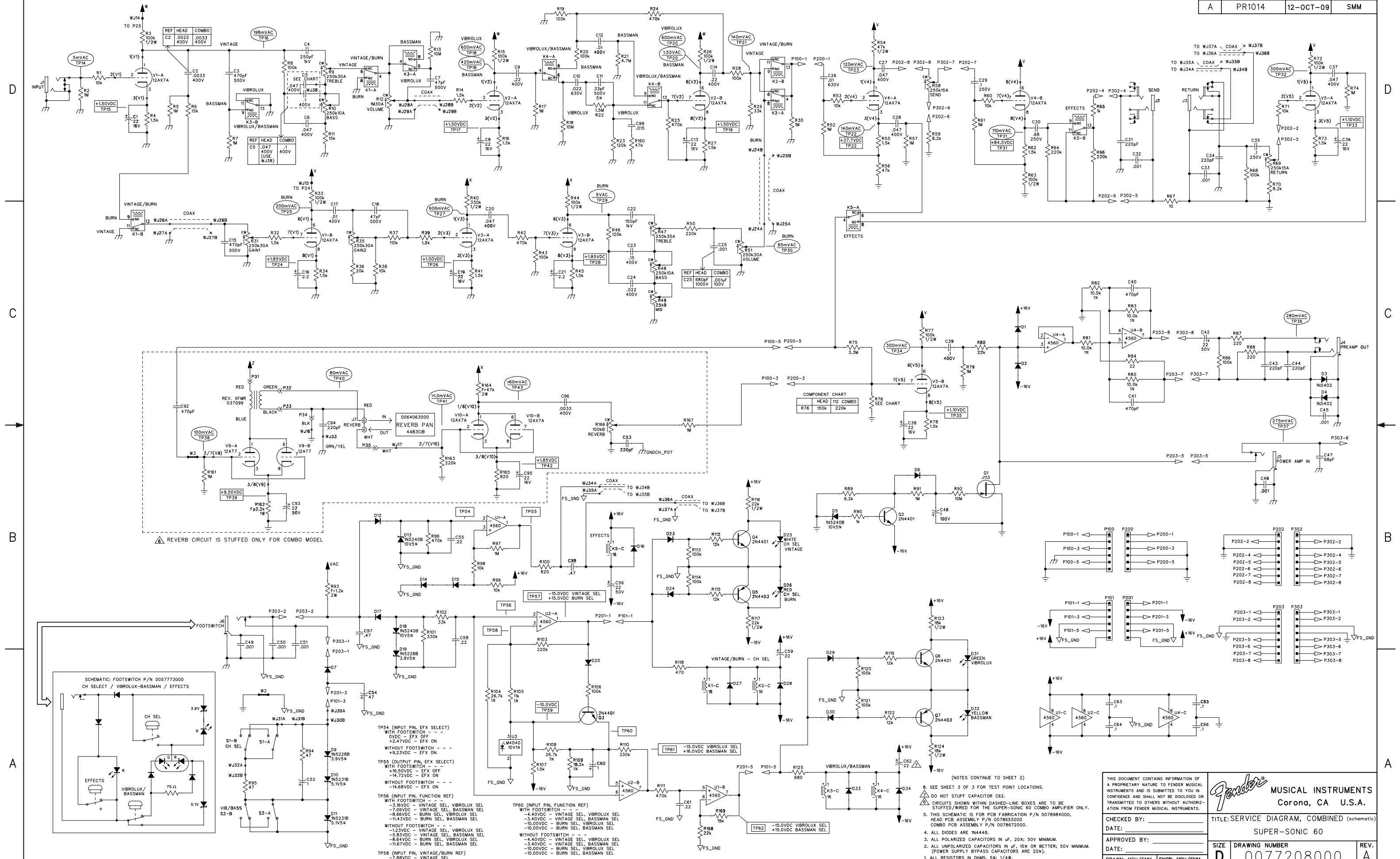


| REVISIONS |             |           |          |
|-----------|-------------|-----------|----------|
| REV.      | DESCRIPTION | DATE      | APPROVED |
| A         | PR1014      | 12-OCT-09 | SMM      |



- TP54 (INPUT PIN, EFX SELECT)  
 WITH FOOTSWITCH - - -  
 0VDC - EFX OFF  
 +2.47VDC - EFX ON  
 WITHOUT FOOTSWITCH - - -  
 +9.23VDC - EFX ON
- TP55 (OUTPUT PIN, EFX SELECT)  
 WITH FOOTSWITCH - - -  
 +6.50VDC - EFX OFF  
 -14.72VDC - EFX ON  
 WITHOUT FOOTSWITCH - - -  
 -14.68VDC - EFX ON
- TP56 (INPUT PIN, FUNCTION REF)  
 WITH FOOTSWITCH - - -  
 -3.16VDC - VINTAGE SEL, VIBROLUX SEL  
 -7.06VDC - VINTAGE SEL, BASSMAN SEL  
 -8.66VDC - BURN SEL, VIBROLUX SEL  
 -11.43VDC - BURN SEL, BASSMAN SEL  
 WITHOUT FOOTSWITCH - - -  
 -1.23VDC - VINTAGE SEL, VIBROLUX SEL  
 -5.85VDC - VINTAGE SEL, BASSMAN SEL  
 -8.64VDC - BURN SEL, VIBROLUX SEL  
 -11.67VDC - BURN SEL, BASSMAN SEL
- TP58 (INPUT PIN, VINTAGE/BURN REF)  
 WITH FOOTSWITCH - - -  
 -7.88VDC - VINTAGE SEL  
 -7.03VDC - BURN SEL
- TP60 (INPUT PIN, FUNCTION REF)  
 WITH FOOTSWITCH - - -  
 -4.40VDC - VINTAGE SEL, VIBROLUX SEL  
 -3.40VDC - VINTAGE SEL, BASSMAN SEL  
 -10.00VDC - BURN SEL, VIBROLUX SEL  
 -10.00VDC - BURN SEL, BASSMAN SEL  
 WITHOUT FOOTSWITCH - - -  
 +4.40VDC - VINTAGE SEL, VIBROLUX SEL  
 -3.40VDC - VINTAGE SEL, BASSMAN SEL  
 -10.00VDC - BURN SEL, VIBROLUX SEL  
 -10.00VDC - BURN SEL, BASSMAN SEL

- (NOTES CONTINUE TO SHEET 2)
- SEE SHEET 3 OF 3 FOR TEST POINT LOCATIONS.
  - DO NOT STUFF CAPACITOR C62.
  - CIRCUITS SHOWN WITH DASHED-LINE BOXES ARE TO BE STUFFED/WIRED FOR THE SUPER-SONIC 60 COMBO AMPLIFIER ONLY.
  - THIS SCHEMATIC IS FOR PCB FABRICATION P/N 0078984000, HEAD PCB ASSEMBLY P/N 0078655000, COMBO PCB ASSEMBLY P/N 0078672000.
  - ALL DIODES ARE 1N4448.
  - ALL POLARIZED CAPACITORS IN  $\mu$ F, 20% OR BETTER; 50V MINIMUM.
  - ALL UNPOLARIZED CAPACITORS IN  $\mu$ F, 10% OR BETTER; 50V MINIMUM. (POWER SUPPLY BYPASS CAPACITORS ARE 20%).
  - ALL RESISTORS IN OHMS,  $\Omega$ ; 1/4W.
- NOTES: (UNLESS OTHERWISE NOTED)

THIS DOCUMENT CONTAINS INFORMATION OF A PROPRIETARY NATURE TO FENDER MUSICAL INSTRUMENTS AND IS SUBMITTED TO YOU IN CONFIDENCE AND SHALL NOT BE DISCLOSED OR TRANSMITTED TO OTHERS WITHOUT AUTHORIZATION FROM FENDER MUSICAL INSTRUMENTS.

**Fender** MUSICAL INSTRUMENTS  
 Corona, CA U.S.A.

TITLE: SERVICE DIAGRAM, COMBINED (schematic)  
 SUPER-SONIC 60

CHECKED BY: \_\_\_\_\_  
 DATE: \_\_\_\_\_

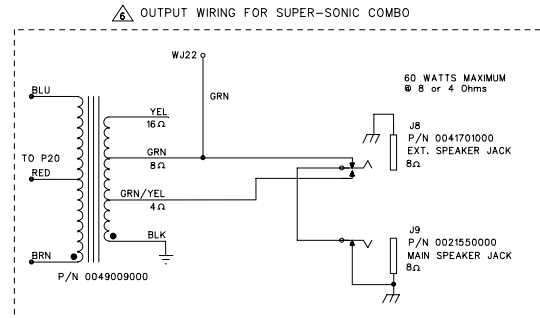
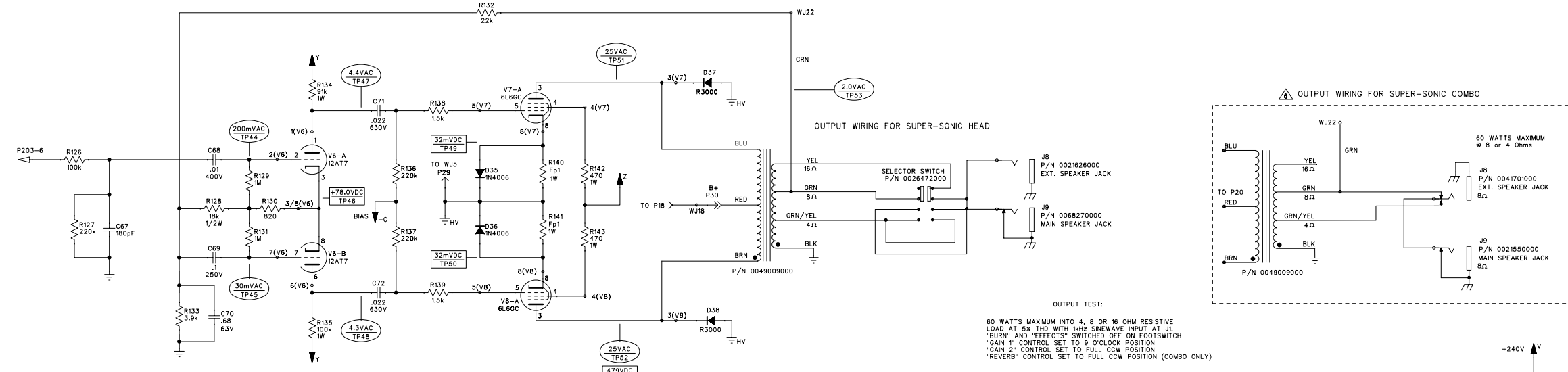
APPROVED BY: \_\_\_\_\_  
 DATE: \_\_\_\_\_

DRAWN: MCU/SMM ENGR: MCU/SMM  
 DATABASE FILE: Z1014S.SCH

SIZE: D  
 DRAWING NUMBER: 0077208000  
 REV. A

RELEASE DATE: 12-OCT-09  
 SHEET: 1 OF 3

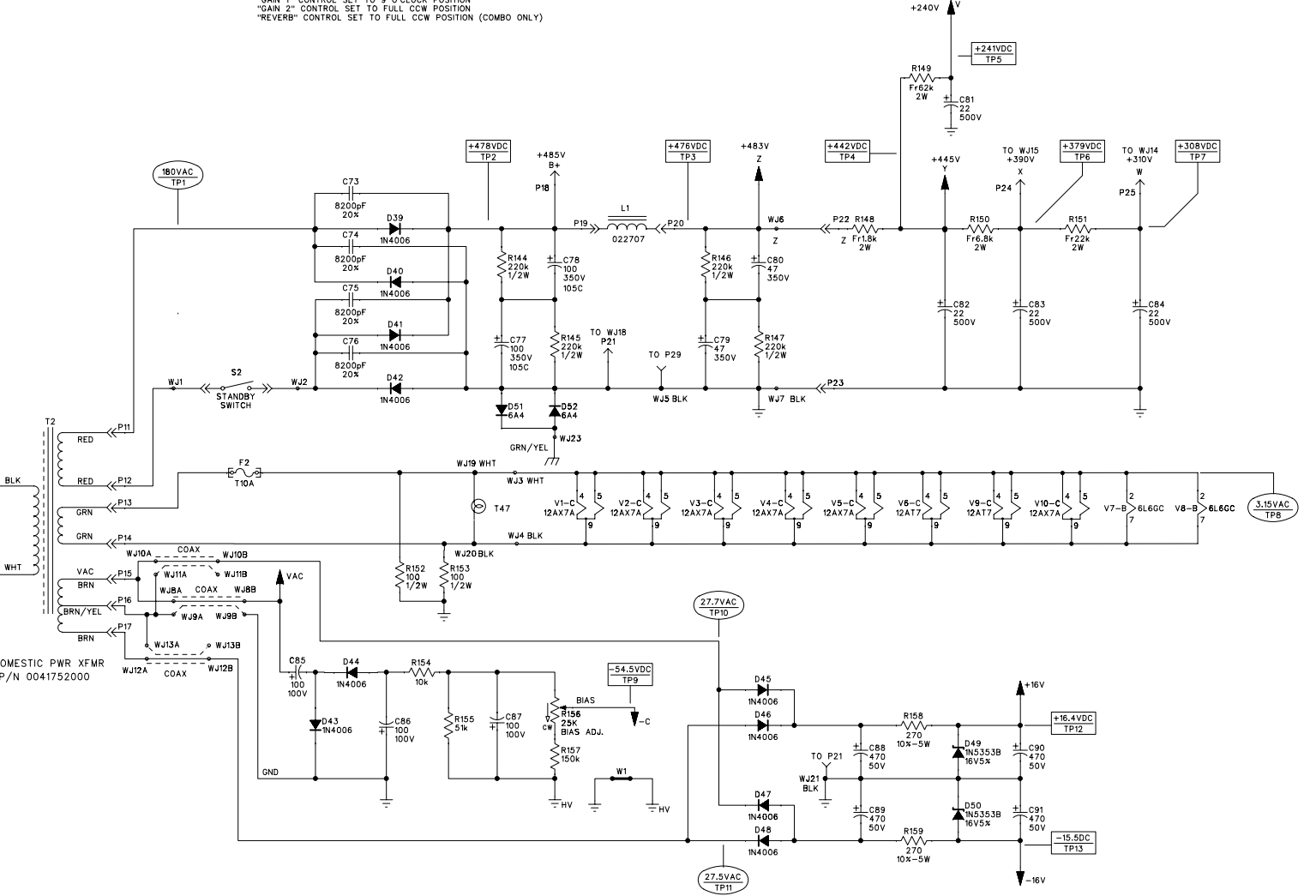
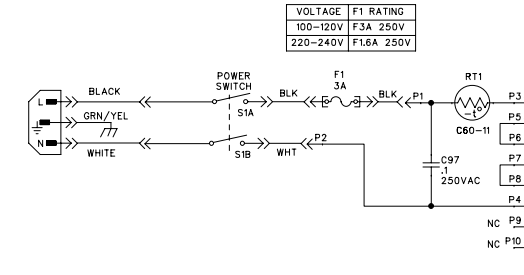
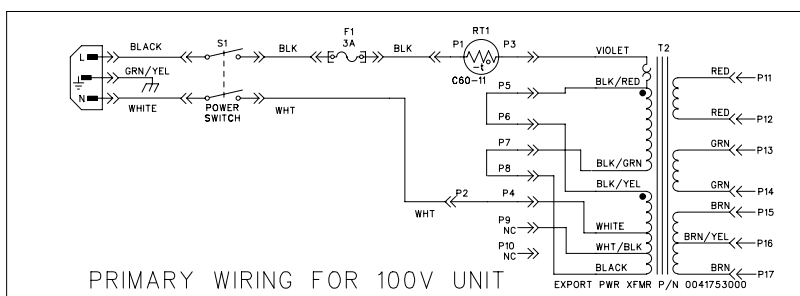
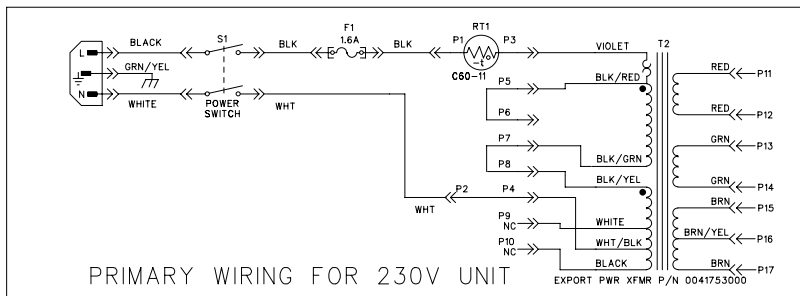
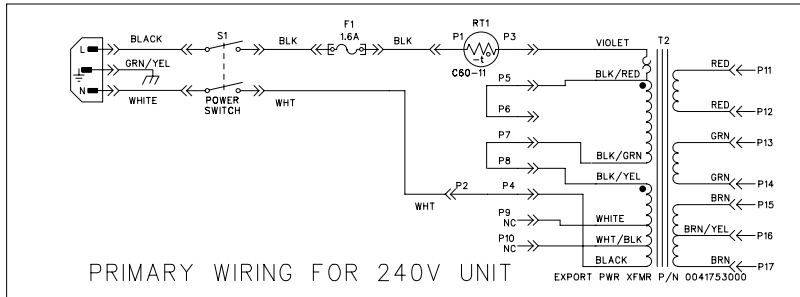
| REVISIONS |             |           |          |
|-----------|-------------|-----------|----------|
| REV.      | DESCRIPTION | DATE      | APPROVED |
| A         | PR1014      | 12-OCT-09 | SMM      |



OUTPUT WIRING FOR SUPER-SONIC COMBO

60 WATTS MAXIMUM  
8 or 4 Ohms

OUTPUT TEST:  
60 WATTS MAXIMUM INTO 4, 8 OR 16 OHM RESISTIVE LOAD AT 5% THD WITH 1kHz SINEWAVE INPUT AT J1.  
"BURN" AND "EFFECTS" SWITCHED OFF ON FOOTSWITCH  
"GAIN 1" CONTROL SET TO 9 O'CLOCK POSITION  
"GAIN 2" CONTROL SET TO FULL CCW POSITION  
"REVERB" CONTROL SET TO FULL CCW POSITION (COMBO ONLY)



9. ALL VOLTAGES MEASURED WITH RESPECT TO GROUND USING A DVM OF AT LEAST 1M Ω AC INPUT IMPEDANCE AND 10M Ω DC IMPEDANCE. VOLTAGE MAY VARY +/- 20%.

INITIAL TEST CONDITIONS:  
UNIT AT RATED LINE VOLTAGE  
ALL PCBs ARE CONNECTED TOGETHER, INSTALLED IN THE CHASSIS  
REVERB PAN 0064063000 CONNECTED AT J7  
8Ω RESISTIVE LOAD CONNECTED TO J9  
IMPEDANCE SELECTOR SWITCH SET TO 8 Ω (HEAD ONLY)  
"BURN" SWITCHED OFF, "EFFECTS" SWITCHED ON WHEN USING FOOTSWITCH  
"GAIN 1" CONTROL SET TO 9 O'CLOCK POSITION  
"GAIN 2" CONTROL SET TO FULL CCW POSITION  
"REVERB" CONTROL SET TO FULL CCW POSITION (COMBO ONLY)  
"SEND" CONTROL IN FULL CW POSITION, "RETURN" CONTROL IN FULL CCW POSITION  
ALL OTHER CONTROLS SET TO 12 O'CLOCK POSITION  
BIAS CONTROL R156 SET TO -54.5VDC (OR 32mV AT BOTH TP50 AND TP51)  
UNLESS NOTED, ALL AC MEASUREMENTS ARE MADE IN VINTAGE/VIBROLUX CONFIGURATION  
ALL DC VOLTAGE MEASURED WITH NO INPUT SIGNAL  
ALL AC VOLTAGES MEASURED WITH 5mV, 1kHz SINEWAVE INPUT SIGNAL AT J1

ADDITIONAL TEST CONDITIONS:  
TP24-TP30, "BURN" SHOULD BE SWITCHED ON.  
TP36-TP44 APPLY TO COMBO ONLY. SET "REVERB" CONTROL TO 12 O'CLOCK.

NOTES: (CONT. FROM SHEET 1)

|   |  |  |               |
|---|--|--|---------------|
| THIS DOCUMENT CONTAINS INFORMATION OF A PROPRIETARY NATURE TO FENDER MUSICAL INSTRUMENTS AND IS SUBMITTED TO YOU IN CONFIDENCE AND SHALL NOT BE DISCLOSED OR TRANSMITTED TO OTHERS WITHOUT AUTHORIZATION FROM FENDER MUSICAL INSTRUMENTS. |  | <b>Fender</b> MUSICAL INSTRUMENTS<br>Corona, CA U.S.A. |               |
| CHECKED BY: _____   | TITLE: SERVICE DIAGRAM, COMBINED (schematic) |  |               |
| DATE: _____   | SUPER-SONIC 60                               |  |               |
| APPROVED BY: _____  | SIZE   | DRAWING NUMBER   | REV.          |
| DATE: _____   | D  | 0077208000   | A             |
| DRAWN: MCU/SMM ENGR: MCU/SMM  | RELEASE DATE: 12-OCT-09                      |  | SHEET: 2 OF 3 |
| DATABASE FILE: Z1014S.SCH   |  |  |               |

8

7

6

5

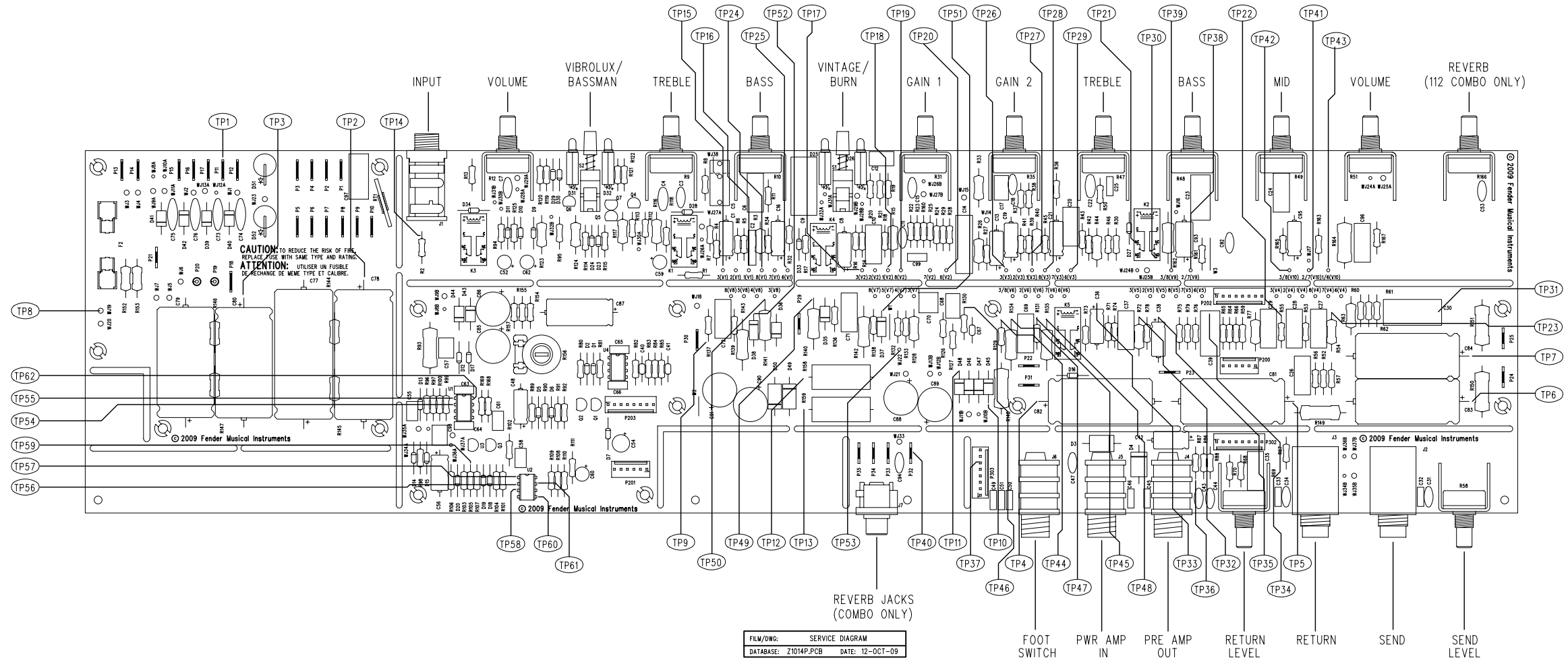
4

3

2

1

| REVISIONS |             |           |          |
|-----------|-------------|-----------|----------|
| REV.      | DESCRIPTION | DATE      | APPROVED |
| A         | PR1014      | 12-OCT-09 | SMM      |



FILM/DWG: SERVICE DIAGRAM  
 DATABASE: Z1014P.PCB DATE: 12-OCT-09

1. SEE SHEET 1-2 OF 3 FOR TEST CONDITIONS AND TEST POINT VALUES.

NOTES: (UNLESS OTHERWISE NOTED)

|   |               |   |                            |
|---|---------------|---|----------------------------|
| THIS DOCUMENT CONTAINS INFORMATION OF A PROPRIETARY NATURE TO FENDER MUSICAL INSTRUMENTS AND IS SHOWN TO YOU IN CONFIDENCE AND SHALL NOT BE DISCLOSED OR TRANSMITTED TO OTHERS WITHOUT AUTHORIZATION FROM FENDER MUSICAL INSTRUMENTS. |               | MUSICAL INSTRUMENTS<br>Corona, CA U.S.A.                      |                            |
| CHECKED BY:   | DATE:         | TITLE: SERVICE DIAGRAM, COMBINED (PCB assy)<br>SUPER-SONIC 60 |                            |
| APPROVED BY:  | DATE:         | SIZE: D   | DRAWING NUMBER: 0077208000 |
| DRAWN: MCU/SMM  | ENGR: MCU/SMM | RELEASE DATE: 12-OCT-09                                       | SHEET 3 OF 3               |
| DATABASE FILE: Z1014P.PCB   |               | REV. A  |                            |

D

C

B

A

D

C

B

A

8

7

6

5

4

3

2

1