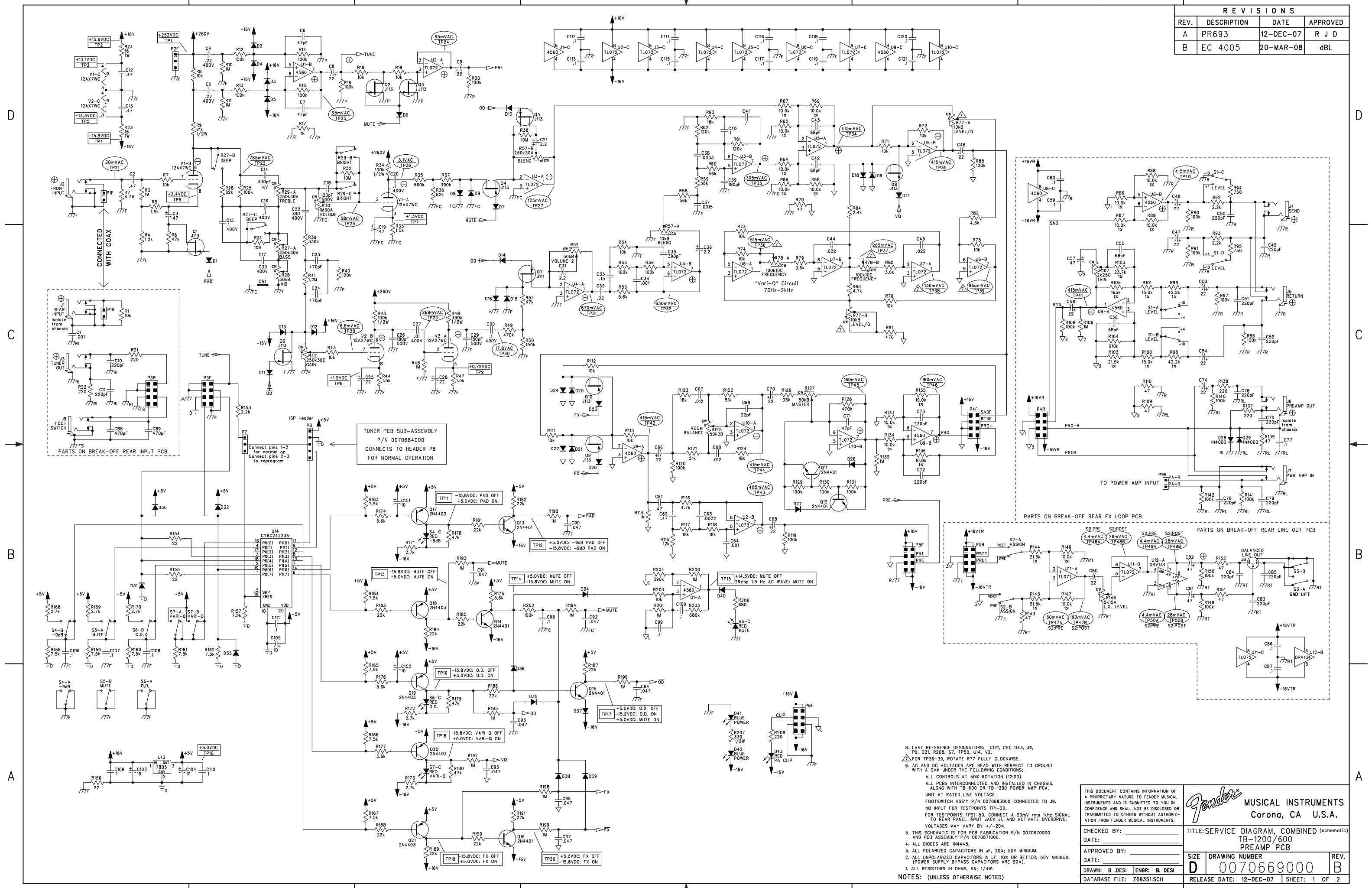


REVISIONS			
REV.	DESCRIPTION	DATE	APPROVED
A	PR693	12-DEC-07	R J D
B	EC 4005	20-MAR-08	dBL



8. LAST REFERENCE DESIGNATORS: C12, C51, D43, J9, P9, Q21, R208, S7, TP50, U14, V2.
 △ FOR TP38-39, ROTATE R77 FULLY CLOCKWISE.
 6. AC AND DC VOLTAGES ARE READ WITH RESPECT TO GROUND WITH A DVM UNDER THE FOLLOWING CONDITIONS:
 ALL CONTROLS AT 50K ROTATION (12:00).
 ALL PCB'S INTERCONNECTED AND INSTALLED IN CHASSIS, ALONG WITH TB-600 OR TB-1200 POWER AMP PCA, UNIT AT RATED LINE VOLTAGE.
 FOOTSWITCH ASSY P/N 0070683000 CONNECTED TO J9.
 NO INPUT FOR TESTPOINTS TP1-20.
 FOR TESTPOINTS TP21-50, CONNECT A 20mV rms 1kHz SIGNAL TO REAR PANEL INPUT JACK J1, AND ACTIVATE OVERDRIVE. VOLTAGES MAY VARY BY +/-20%.
 5. THIS SCHEMATIC IS FOR PCB FABRICATION P/N 0070670000 AND PCB ASSEMBLY P/N 0070671000.
 4. ALL DIODES ARE 1N4448.
 3. ALL POLARIZED CAPACITORS IN uF, 20%; 50V MINIMUM.
 2. ALL UNPOLARIZED CAPACITORS IN uF, 10% OR BETTER; 50V MINIMUM. (POWER SUPPLY BYPASS CAPACITORS ARE 20%).
 1. ALL RESISTORS IN OHMS, 5%; 1/4W.

THIS DOCUMENT CONTAINS INFORMATION OF A PROPRIETARY NATURE TO FENDER MUSICAL INSTRUMENTS AND IS SUBMITTED TO YOU IN CONFIDENCE AND SHALL NOT BE DISCLOSED OR TRANSMITTED TO OTHERS WITHOUT AUTHORIZATION FROM FENDER MUSICAL INSTRUMENTS.

Fender MUSICAL INSTRUMENTS
Corona, CA U.S.A.

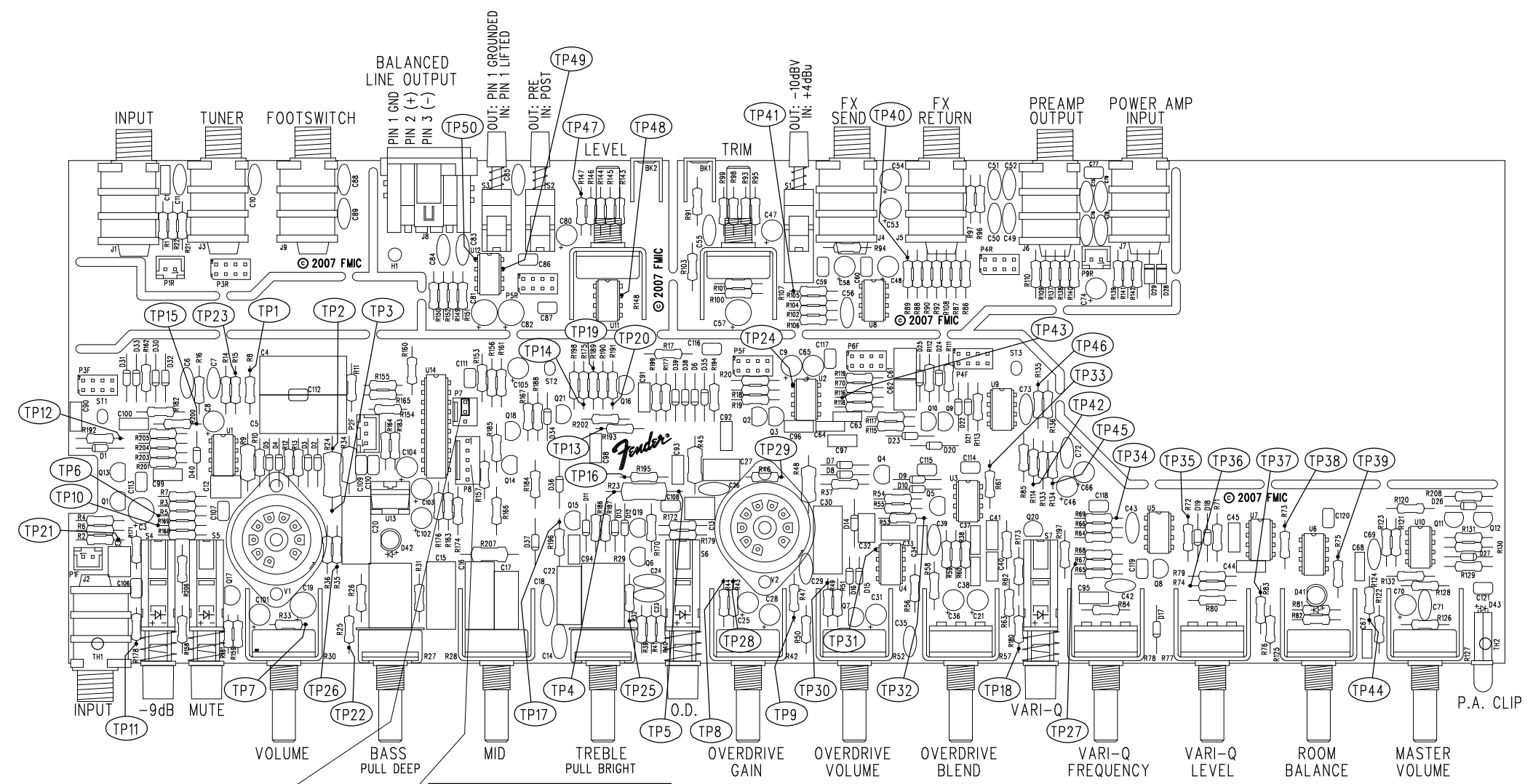
CHECKED BY: _____ TITLE: SERVICE DIAGRAM, COMBINED (schematic)
 DATE: _____ TB-1200/600
 APPROVED BY: _____ PREAMP PCB
 DATE: _____ SIZE DRAWING NUMBER
 DRAWN: B_DESI ENGR: B_DESI REV. B
 DATABASE FILE: Z693S1.SCH RELEASE DATE: 12-DEC-07 SHEET: 1 OF 2

8 7 6 5 4 3 2 1

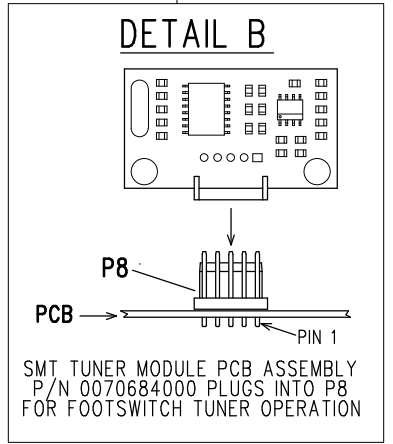
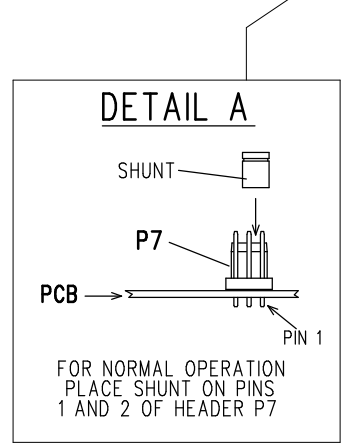
REVISIONS			
REV.	DESCRIPTION	DATE	APPROVED
A	PR 693	12-DEC-07	R J D
B	EC 4005	20-MAR-08	dBL

D
C
B
A

D
C
B
A



FILM/DWG: SERVICE DIAGRAM
 DATABASE: Z693P1.PCB DATE: 12-DEC-07



1. SEE PAGE 1 FOR TEST CONDITIONS AND TEST POINT VALUES.
 NOTES: (UNLESS OTHERWISE NOTED)

THIS DOCUMENT CONTAINS INFORMATION OF A PROPRIETARY NATURE TO FENDER MUSICAL INSTRUMENTS AND IS SUBMITTED TO YOU IN CONFIDENCE AND SHALL NOT BE DISCLOSED OR TRANSMITTED TO OTHERS WITHOUT AUTHORIZATION FROM FENDER MUSICAL INSTRUMENTS.		MUSICAL INSTRUMENTS Corona, CA U.S.A.	
CHECKED BY: _____ DATE: _____		TITLE: SERVICE DIAGRAM, COMBINED (PCB assy) TB-1200/600 PREAMP PCB	
APPROVED BY: _____ DATE: _____		SIZE C	DRAWING NUMBER 0070669000
DRAWN: B Desi	ENGR: B Desi	RELEASE DATE: 12-DEC-07	REV. B
DATABASE FILE: Z693P1.PCB		SHEET 2 OF 2	

8 7 6 5 4 3 2 1

REVISIONS			
REV.	DESCRIPTION	DATE	APPROVED
A	PR693	11-DEC-07	dBL
B	EC 4004	05-MAR-08	dBL

D

D

C

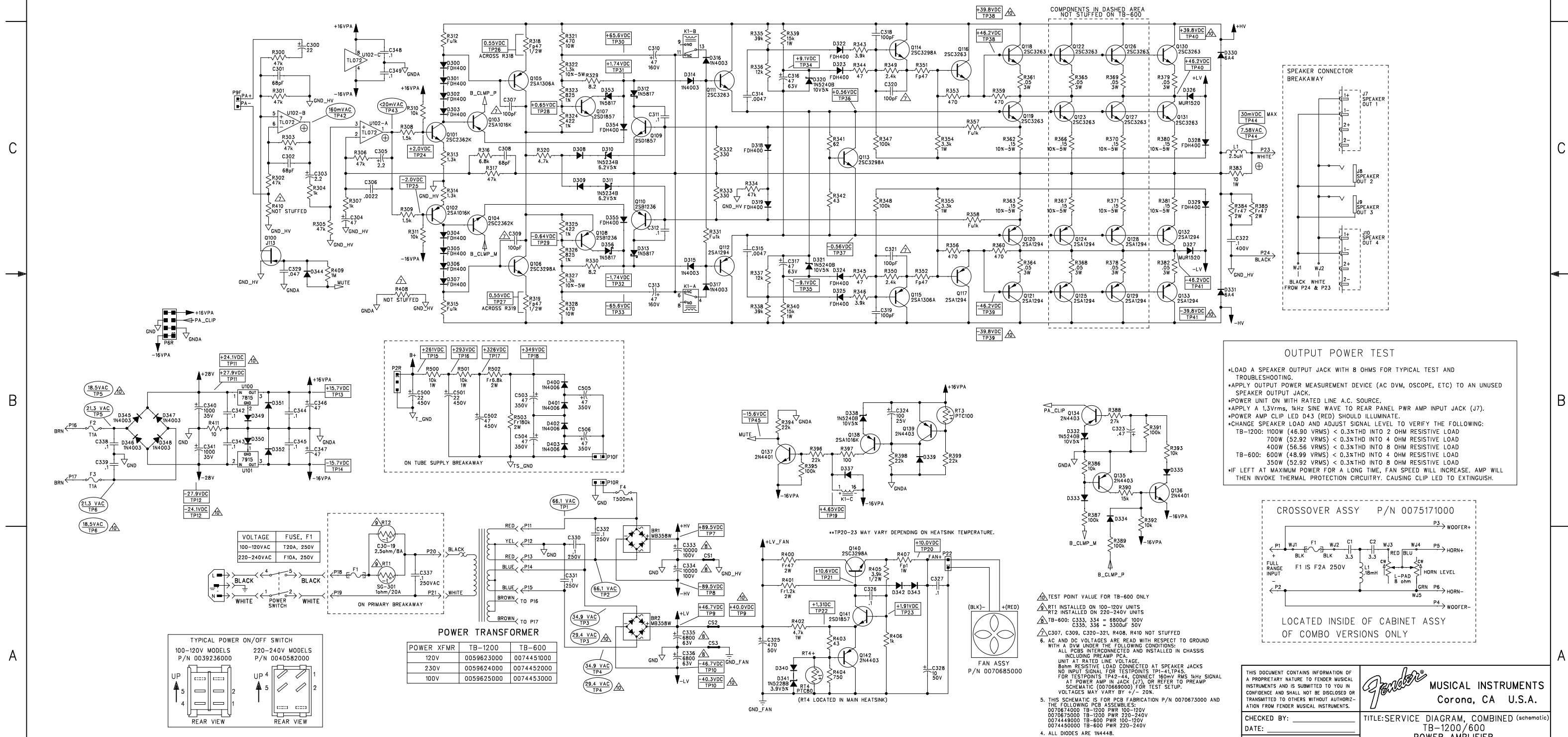
C

B

B

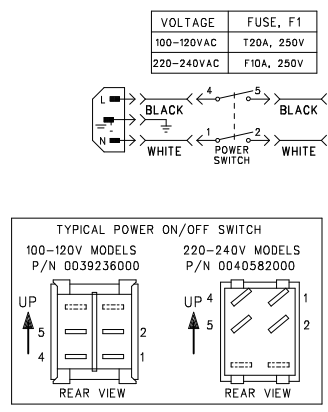
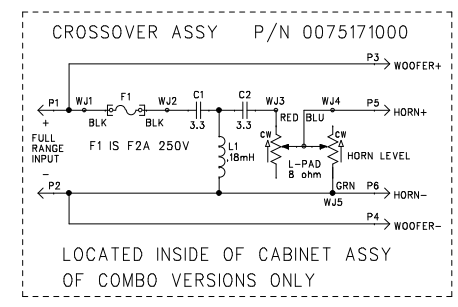
A

A



OUTPUT POWER TEST

- LOAD A SPEAKER OUTPUT JACK WITH 8 OHMS FOR TYPICAL TEST AND TROUBLESHOOTING.
- APPLY OUTPUT POWER MEASUREMENT DEVICE (AC DVM, OSCOPE, ETC) TO AN UNUSED SPEAKER OUTPUT JACK.
- POWER UNIT ON WITH RATED LINE A.C. SOURCE.
- APPLY A 1.3Vrms, 1kHz SINE WAVE TO REAR PANEL PWR AMP INPUT JACK (J7).
- POWER AMP CLIP LED D43 (RED) SHOULD ILLUMINATE.
- CHANGE SPEAKER LOAD AND ADJUST SIGNAL LEVEL TO VERIFY THE FOLLOWING:
 - TB-1200: 1100W (46.90 VRMS) < 0.3xTHD INTO 2 OHM RESISTIVE LOAD
 - 700W (52.92 VRMS) < 0.3xTHD INTO 4 OHM RESISTIVE LOAD
 - 400W (56.56 VRMS) < 0.3xTHD INTO 8 OHM RESISTIVE LOAD
 - TB-600: 600W (48.99 VRMS) < 0.3xTHD INTO 4 OHM RESISTIVE LOAD
 - 350W (52.92 VRMS) < 0.3xTHD INTO 8 OHM RESISTIVE LOAD
- IF LEFT AT MAXIMUM POWER FOR A LONG TIME, FAN SPEED WILL INCREASE. AMP WILL THEN INVOKE THERMAL PROTECTION CIRCUITRY, CAUSING CLIP LED TO EXTINGUISH.



POWER TRANSFORMER

POWER XFMR	TB-1200	TB-600
120V	0059623000	0074451000
230V	0059624000	0074452000
100V	0059625000	0074453000

VOLTAGE FUSE, F1

VOLTAGE	FUSE, F1
100-120VAC	T20A, 250V
220-240VAC	F10A, 250V

- TEST POINT VALUE FOR TB-600 ONLY
- RT1 INSTALLED ON 100-120V UNITS
 - RT2 INSTALLED ON 220-240V UNITS
 - TB-600: C333, 334 = 6800uF 100V
C335, 336 = 3300uF 50V
 - C307, C309, C330-321, R408, R410 NOT STUFFED
 - AC AND DC VOLTAGES ARE READ WITH RESPECT TO GROUND
 - WITH A DVM UNDER THE FOLLOWING CONDITIONS:
 - ALL PCBs INTERCONNECTED AND INSTALLED IN CHASSIS INCLUDING PREAMP PCB.
 - UNIT AT RATED LINE VOLTAGE.
 - 8ohm RESISTIVE LOAD CONNECTED AT SPEAKER JACKS
 - NO INPUT SIGNAL FOR TESTPOINTS TP1-41, TP45.
 - FOR TESTPOINTS TP42-44, CONNECT 160mV RMS 1kHz SIGNAL AT POWER AMP IN JACK (J7), OR REFER TO PREAMP SCHEMATIC (0070669000) FOR TEST SETUP.
 - VOLTAGES MAY VARY BY +/- 20%.
5. THIS SCHEMATIC IS FOR PCB FABRICATION P/N 0070673000 AND THE FOLLOWING PCB ASSEMBLIES:
 0070674000 TB-1200 PWR 100-120V
 0070675000 TB-1200 PWR 220-240V
 0074449000 TB-600 PWR 100-120V
 0074450000 TB-600 PWR 220-240V

11. REFERENCE DESIGNATORS USED:
 BR1-2, C300-349, C500-506, D300-356, D400-403
 F1-4, J7-10, K1, L1, P2, P6, P9-24, Q100-142
 R300-371, R378-411, R500-503, RT1-4, U100-102

NOTES: (UNLESS OTHERWISE NOTED)

THIS DOCUMENT CONTAINS INFORMATION OF A PROPRIETARY NATURE TO FENDER MUSICAL INSTRUMENTS AND IS SUBMITTED TO YOU IN CONFERENCE AND SHALL NOT BE DISCLOSED OR TRANSMITTED TO OTHERS WITHOUT AUTHORIZATION FROM FENDER MUSICAL INSTRUMENTS.

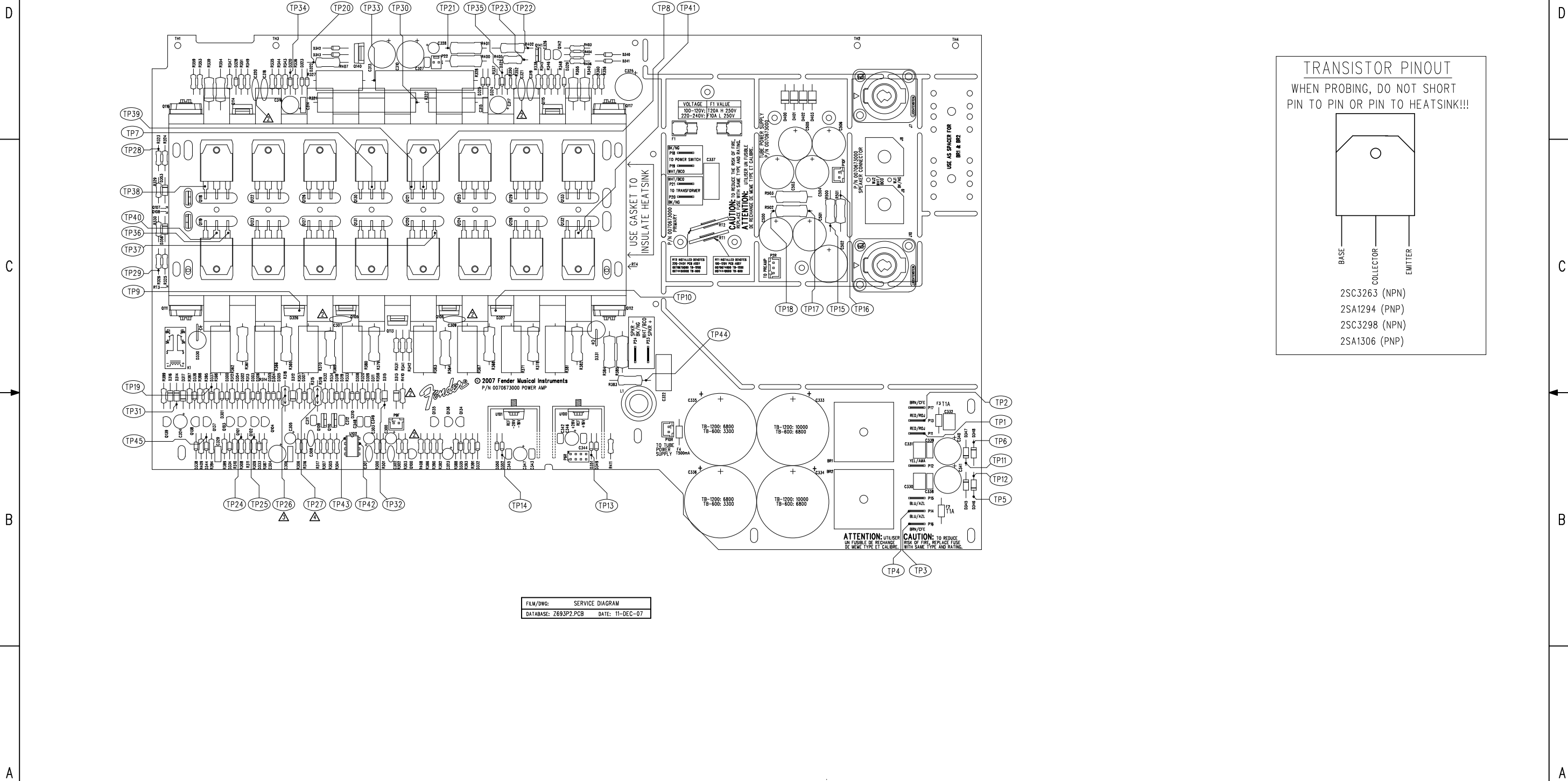
Fender MUSICAL INSTRUMENTS
 Corona, CA U.S.A.

CHECKED BY: _____ TITLE: SERVICE DIAGRAM, COMBINED (schematic)
 DATE: _____ TB-1200/600
 POWER AMPLIFIER

APPROVED BY: _____ SIZE DRAWING NUMBER
 DATE: _____ D 0070672000 REV. B

DRAWN: D. LEWIS ENGR: D. LEWIS DATABASE FILE: Z693S2.SCH RELEASE DATE: 11-DEC-07 SHEET: 1 OF 2

REVISIONS			
REV.	DESCRIPTION	DATE	APPROVED
A	PR 693	11-DEC-07	dBL
B	EC 4004	05-MAR-08	dBL



TRANSISTOR PINOUT
 WHEN PROBING, DO NOT SHORT
 PIN TO PIN OR PIN TO HEATSINK!!!

BASE
 COLLECTOR
 EMITTER

2SC3263 (NPN)
 2SA1294 (PNP)
 2SC3298 (NPN)
 2SA1306 (PNP)

FILM/DWG: SERVICE DIAGRAM
 DATABASE: Z693P2.PCB DATE: 11-DEC-07

- ⚠ OBSERVE DC VOLTAGE ACROSS R319.
- ⚠ OBSERVE DC VOLTAGE ACROSS R318.
- ⚠ COMPONENTS NOT INSTALLED: C307, C309, C320-321, R408, R410.
- 1. SEE SHEET 1 FOR PRIMARY WIRING, TEST CONDITIONS, TEST POINT VALUES, AND OUTPUT POWER SETUP.

NOTES: (UNLESS OTHERWISE NOTED)

THIS DOCUMENT CONTAINS INFORMATION OF A PROPRIETARY NATURE TO FENDER MUSICAL INSTRUMENTS AND IS SUBMITTED TO YOU IN CONFIDENCE AND SHALL NOT BE DISCLOSED OR TRANSMITTED TO OTHERS WITHOUT AUTHORIZATION FROM FENDER MUSICAL INSTRUMENTS.		MUSICAL INSTRUMENTS Corona, CA U.S.A.	
CHECKED BY: _____ DATE: _____		TITLE: SERVICE DIAGRAM, COMBINED (PCB assy) TB-1200/600 POWER AMPLIFIER	
APPROVED BY: _____ DATE: _____		SIZE: D	DRAWING NUMBER: 0070672000
DRAWN: D. LEWIS	ENGR: D. LEWIS	RELEASE DATE: 11-DEC-07	SHEET 2 OF 2
DATABASE FILE: Z693P2.PCB		REV. B	