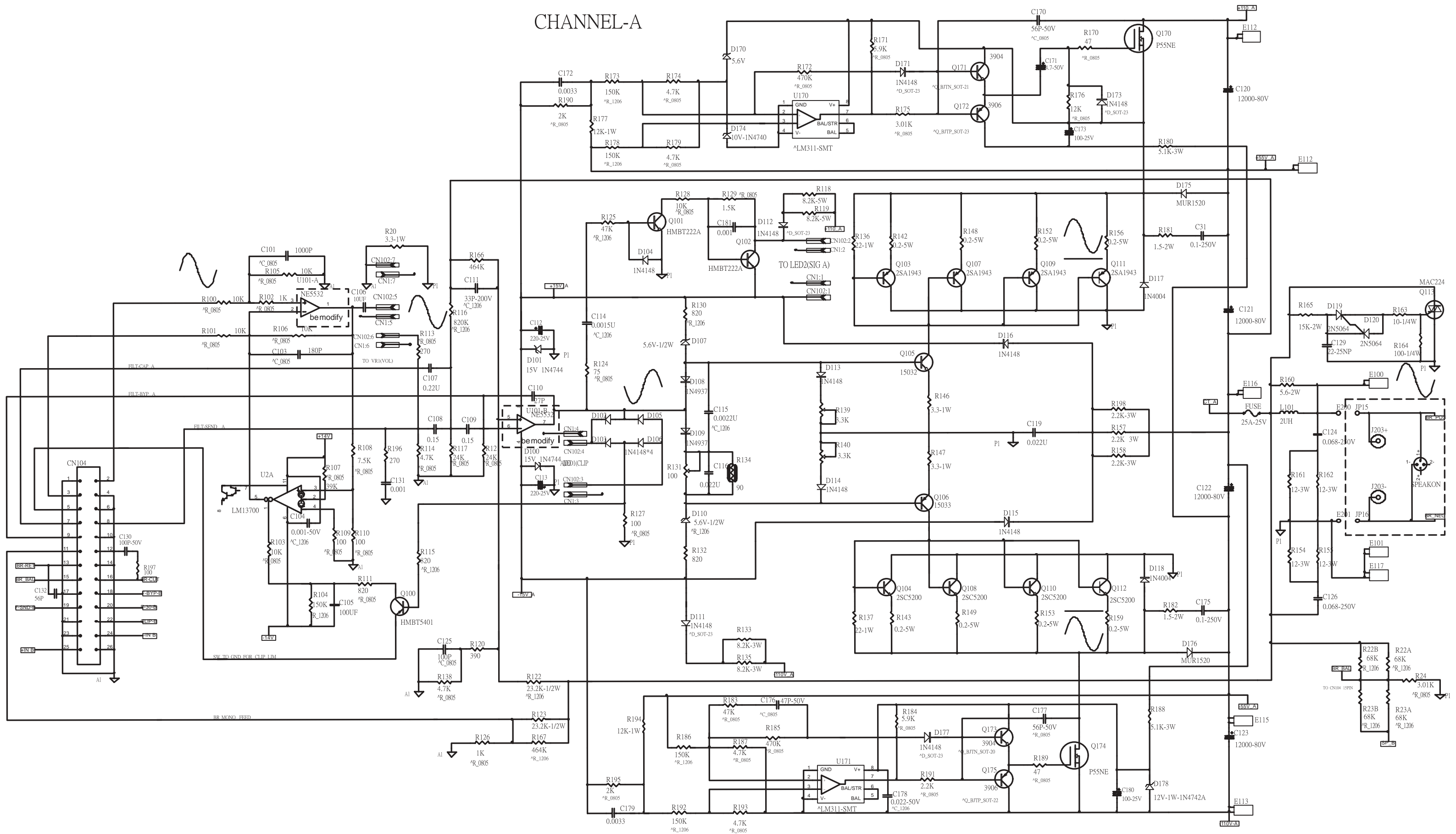


CHANNEL-A



(PARTS OF THE POWER SUPPLY ARE ALSO ON THIS BOARD, SEE THE POWER SUPPLY BOARD PDF)

