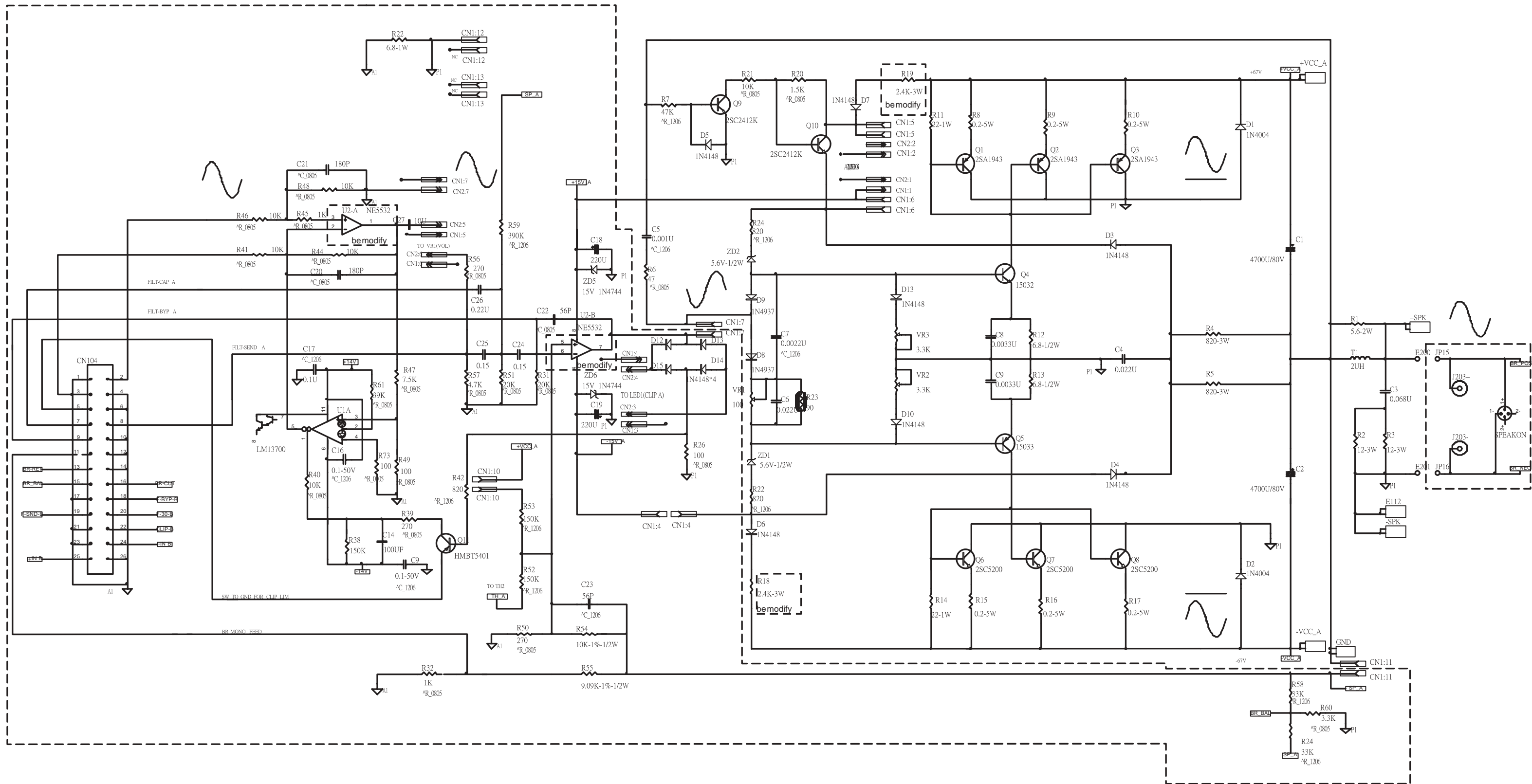
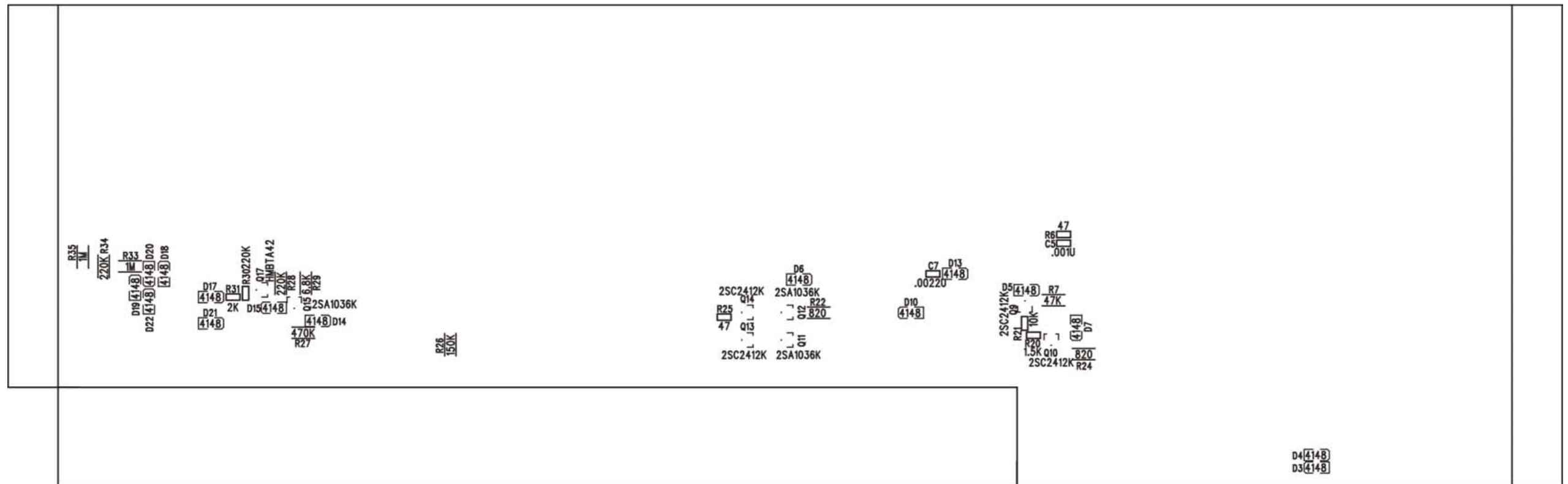
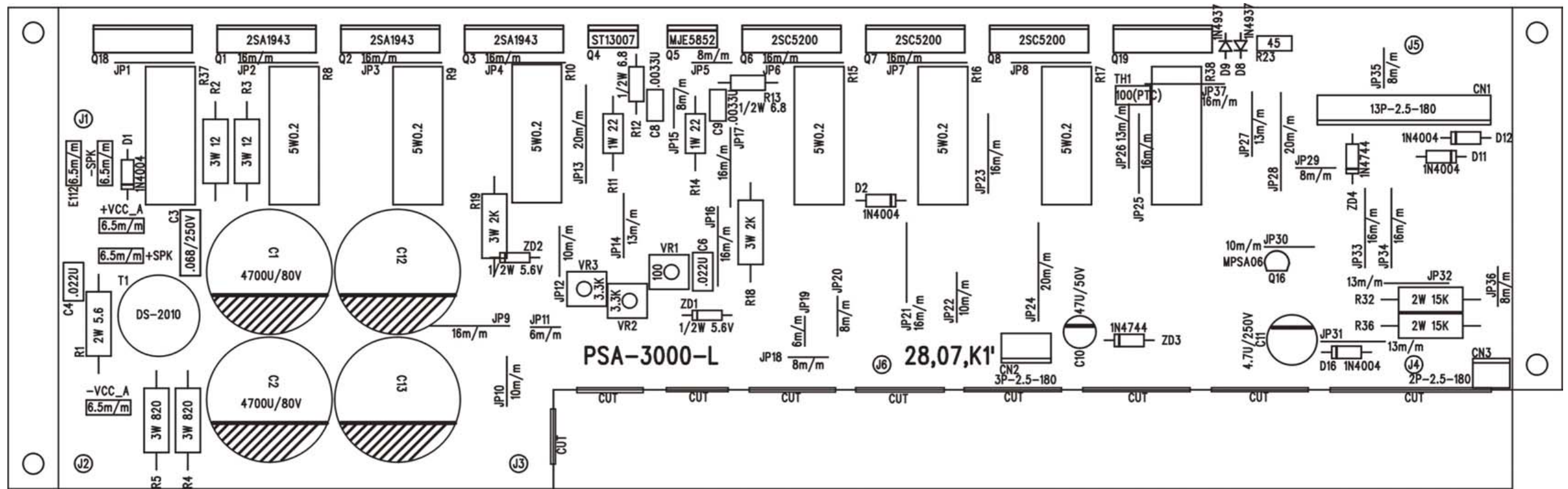


CHANNEL-A



(PARTS OF THE POWER SUPPLY ARE ALSO ON THIS BOARD, SEE THE POWER SUPPLY BOARD PDF)



(PARTS OF THE POWER SUPPLY ARE ALSO ON THIS BOARD, SEE THE POWER SUPPLY BOARD PDF)

